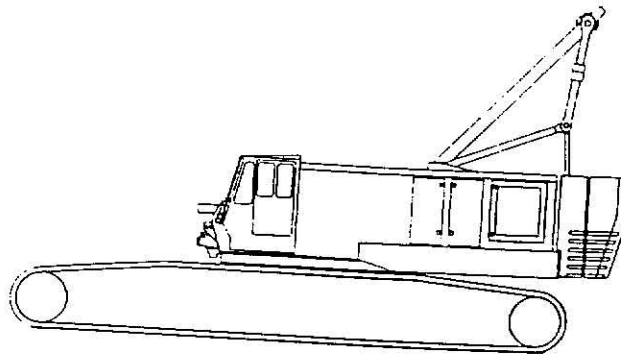


CLARK 7707 Crawler Crane

627 23 2307

300 Ton Capacity

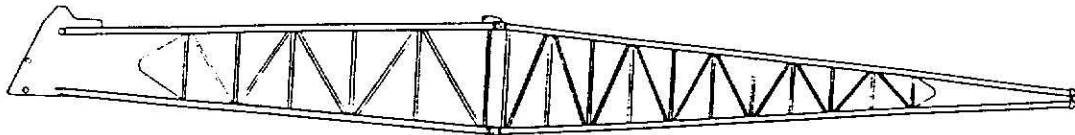


B-1

BASIC MACHINE

Equipment includes: 36'8" (11.18M) long hydraulically driven crawlers with 56" (1.42M) wide treads; hydraulic pumps, valving and controls for propel; engine (See Item No. B0-100) independent fully hydraulic two drum boom hoist with infinite speed control and power controlled boom lowering; full hydraulic main hoist with infinite speed control in two ranges and power controlled lowering on all drums; multi-position hydraulically controlled environmental cab; fire extinguisher, anti-skid paint, steps for access to cab roof; full hydraulic swing system; roller bearing swing circle; cab shutters; counterweight 99,300# (45043kg); hydraulically controlled backhitch gantry; positive swing lock running boards with handrails; signal horn; air and electric control equipment.

464,535 LBS. (210713kg)



A-2

CRANE ATTACHMENT

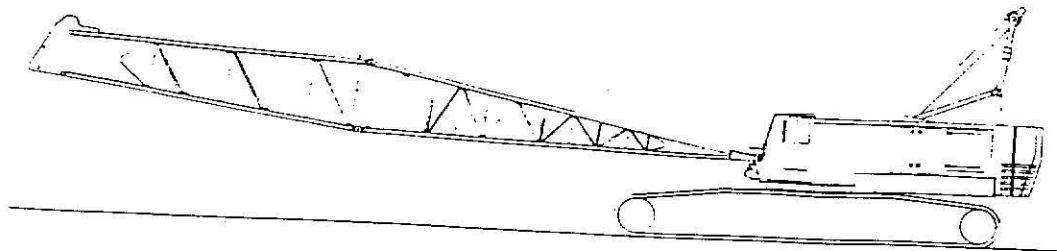
Equipment includes: 70' (21.34M) pin connected tubular boom [90" (228.6cm) x 108" (274.3cm)] [40' (12.19M) base and 30' (9.14M) heavy duty point section] with 7 sheaves for 15 part reeving; rope guards; mast with 14 part boom hoist reeving; swaged type pendants for basic boom; 38" (96.52cm) front and 38" (96.52cm) rear hoist drums; and telescopic boomstops with electric over air shutoff.

31,365 LBS. (14227kg)

Note: Maximum boom length with heavy duty point section, 250' (76.20M).
Maximum boom length with light duty point section, 330' (100.58M).
See capacity chart for ratings on light and heavy duty boom points.

AA

CRANE (INCLUDING ITEM NOS. B-1 & A-2)



495,900 LBS. (224940kg)

CLARK 7707 Crawler Crane

300 Ton Capacity

BOOM DATA

Component	Light Duty Boom	Heavy Duty Boom
Point Shaft	1,100 Lbs. (499kg.)	2,600 Lbs. (1179kg.)
30' (13.61M) Point Section	5,160 Lbs. (2341kg.)	6,890 Lbs. (3125kg.)
40' (12.19M) Base Section	7,725 Lbs. (3504kg.)	7,725 Lbs. (3504kg.)
Basic Pendants Base Section	800 Lbs. (363kg.)	970 Lbs. (440kg.)
10' (3.05M) Extension With Pendants	1,825 Lbs. (828kg.)	1,895 Lbs. (860kg.)
20' (6.10M) Extension With Pendants	2,900 Lbs. (1315kg.)	2,975 Lbs. (1349kg.)
40' (12.19M) Extension With Pendants	4,995 Lbs. (2266kg.)	5,095 Lbs. (2311kg.)
40' (12.19M) Mast	8,275 Lbs. (3754kg.)	8,275 Lbs. (3754kg.)
Boom Stop	1,365 Lbs. (619kg.)	1,365 Lbs. (619kg.)
Midpoint Suspension 170' (51.82M) Boom to 230' (70.10M) Boom	1,050 Lbs. (476kg.)	1,050 Lbs. (476kg.)
Midpoint Suspension 240' (73.15M) Boom to 260' (79.25M) Boom	1,190 Lbs. (540kg.)	1,190 Lbs. (540kg.)
Midpoint Suspension 270' (82.30M) Boom and 330' (100.58M) Boom	1,420 Lbs. (644kg.)	1,420 Lbs. (644kg.)
Boom Hoist Wire Rope	2,460 Lbs. (1116kg.)	2,460 Lbs. (1116kg.)
Main Hoist Wire Rope	3,750 Lbs. (1702kg.)	3,750 Lbs. (1702kg.)
Auxiliary Hoist Wire Rope	2.46 Lbs./Ft. (3.66kg./M)	2.46 Lbs./Ft. (3.66kg./M)
300 Ton Hookblock	5,400 Lbs. (2449kg.)	5,400 Lbs. (2449kg.)
40 Ton Hookblock	1,100 Lbs. (499kg.)	1,100 Lbs. (499kg.)
20 Ton Ball and Hook	800 Lbs. (363kg.)	800 Lbs. (363kg.)

Boom Make-up: The first 70' (21.34M) of boom extensions adjacent to the boom base must be 6" (152mm) O.D. tubing; all remaining extensions should be 5 1/2" (146mm) O.D. tube. The heavy duty boom point section with heavy duty point shaft is to be installed on booms 70' (21.34M) thru 250' (76.20M); the light duty boom point with light duty point shaft is to be installed on booms 260' (79.25M) thru 330' (100.58M).

JIB DATA

Component	Heavy Duty Jib
Basic Jib Length	40' (12.19M)
Maximum Length	100' (30.48M)
Basic Jib	5,040 Lbs. (2286kg.)
10' (3.05M) Extension With Pendant	660 Lbs. (299kg.)
20' (6.10M) Extension with Pendant	1,005 Lbs. (456kg.)

HOIST LINE DATA

Speed Range	Line Pull	Line Speed
1st	40,000 Lbs. (18144kg.)	180 F.P.M. (54.86M P.M.)
2nd	20,000 Lbs. (9072kg.)	350 F.P.M. (106.68M P.M.)

Typical Hoist Performance Front Hoist Only	
Line Pull	Line Speed
25,000 Lbs. (11340kg.)	185 F.P.M. (56.39 M.P.M.)

In accordance with our established policy of constantly improving our products, we reserve the right to change or modify our products or our product specifications at any time without notice.

CLARK 7707 Crawler Crane

300 Ton Capacity

MAXIMUM BOOM OR BOOM PLUS JIB THAT CAN BE HANDLED HORIZONTALLY		
Over Side Narrow Crawler	Over Side Wide Crawler	Over End
270' (82.30M)	330' (100.58M)	330' (100.58M)
220' (67.06M) + 40' (12.19M)	320' (97.54M) + 40' (12.19M)	330' (100.58M) + 40' (12.19M)
220' (67.06M) + 50' (15.24M)	310' (94.49M) + 50' (15.24M)	320' (97.54M) + 50' (15.24M)
210' (64.01M) + 60' (18.29M)	310' (94.49M) + 60' (18.29M)	320' (97.54M) + 60' (18.29M)
200' (60.96M) + 70' (21.34M)	310' (94.49M) + 70' (21.34M)	320' (97.54M) + 70' (21.34M)
200' (60.96M) + 80' (24.38M)	300' (91.44M) + 80' (24.38M)	310' (94.49M) + 80' (24.38M)
200' (60.96M) + 90' (27.43M)	290' (88.39M) + 90' (27.43M)	310' (94.49M) + 90' (27.43M)
190' (57.91M) + 100' (30.48M)	290' (88.39M) + 100' (30.48M)	300' (91.44M) + 100' (30.48M)

BOOM AND JIB DATA

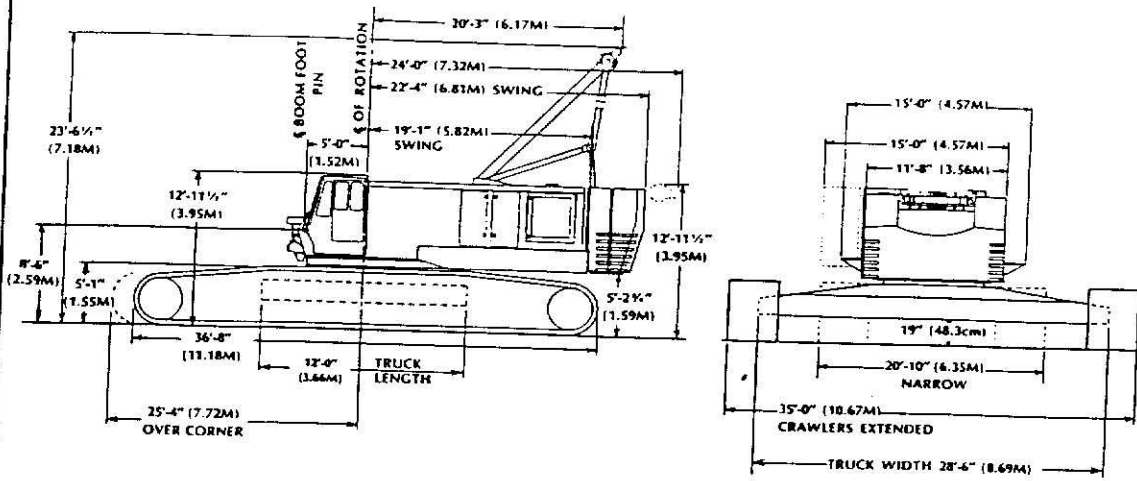
JIB	
Basic Length	40' (12.19M)
Max. Length	100' (30.48M)
Section	46" x 52" (1.7M x 1.32M)
Chord Size	2 1/2" (6.35cm) O.D. Tube
Chord Material	100,000 P.S.I. (68944 N/cm ²)
Quan. Sheaves at Point	One (1)
P.D. Point Sheave	21-3/8" (54.3cm) P.D.
Capacity	
40' (12.19M)	40 Tons (36.3 Tons)
50' (15.24M)	31 1/2 Tons (28.6 Tons)
60' (18.29M)	24 Tons (21.8 Tons)
70' (21.34M)	20 Tons (18.1 Tons)
80' (24.38M)	18 Tons (16.3 Tons)
90' (27.43M)	15 1/2 Tons (14.1 Tons)
100' (30.48M)	13 1/2 Tons (12.2 Tons)

BOOM, TUBULAR PIN CONNECTED	
Type Service	Crane
Suspension	Mast and Pendants
Gantry	High Back Hitch
Mast	40' (12.19M)
	Light Duty Point 3
	Heavy Duty Point 7
Quan. Sheaves at Point Shaft	
Dia. Point Sheaves	21-3/8" (54.3cm) P.D. — 1-1/8" (29mm) Dia. Wire Rope
Basic Boom Length	70' (21.34M)
Chord Material	100,000 P.S.I. (68944 N/cm ²) Steel
Extensions	10', 20', and 40' Straight (3.05M, 6.10M, and 12.19M)
Section	90" x 108" (2.29M x 2.74M)
Max. Boom Length	330' (100.58M)
Chord Dimensions	Light Duty 5-3/4" O.D. (146mm) Tube
	Heavy Duty 6" O.D. (152mm) Tube

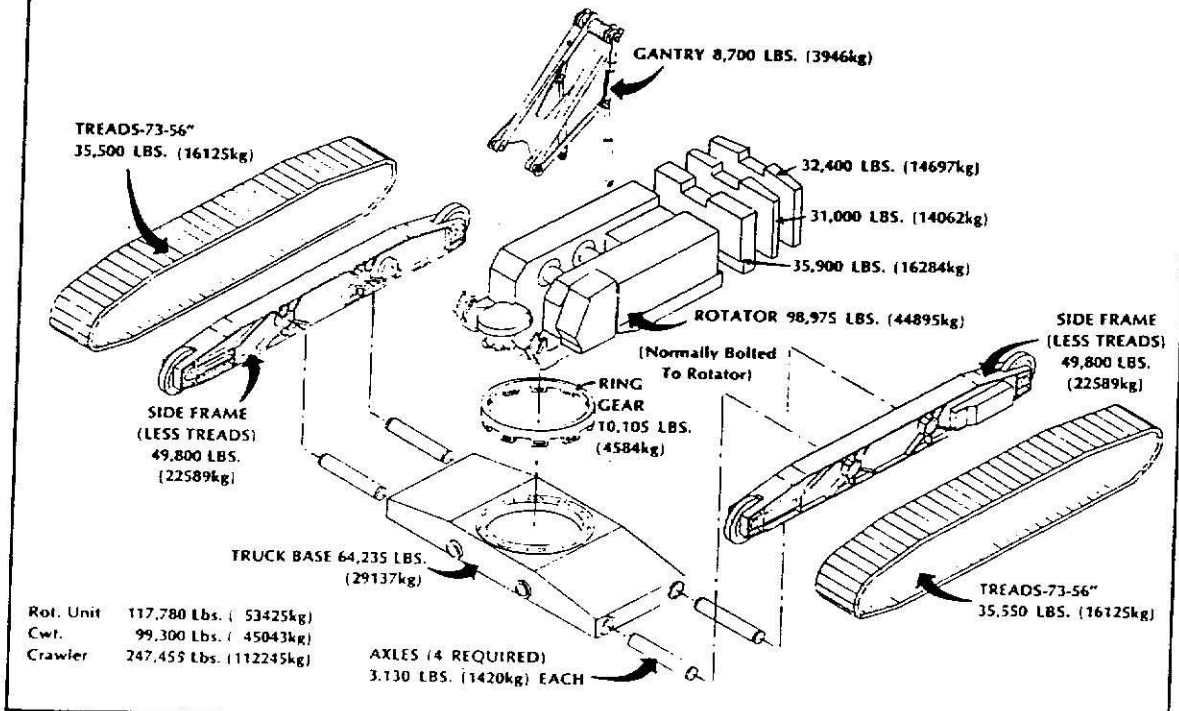
CLARK 7707 Crawler Crane

300 Ton Capacity

CLEARANCE & DIMENSIONS 7707



WEIGHTS OF COMPONENT PARTS 7707



Rot. Unit	117,780 Lbs. (53425kg)
Cwt.	99,300 Lbs. (45043kg)
Crawler	247,455 Lbs. (112245kg)

CLARK 7707 Crawler Crane

300 Ton Capacity

POWER PLANT DATA

Make	Model	Fuel	Cyl.	Bore & Stroke	Net Horsepower
Cummins	NTA 855C420	Diesel	6	5 1/4" x 6" (13.97cm x 15.24cm)	420 @ 2300

CLUTCH AND BRAKE DATA

Function	CLUTCHES				BRAKES			
	Type	Width	Diameter	Area	Type	Width	Diameter	Area
Main Hoist	Band	4 1/2" (11.43cm)	43" (109.2cm)	518 In ² (3342cm ²)	Band	6" (15.24cm)	50" (127cm)	748 In ² (4826cm ²)
Auxiliary Hoist	Band	4 1/2" (11.43cm)	43" (109.2cm)	518 In ² (3342cm ²)	Band	6" (15.24cm)	50" (127cm)	748 In ² (4826cm ²)
Boom Hoist	Band	—	—	—	Band	4" (101.6cm)	15" (38.1cm)	145 In ² (935cm ²)
Swing Brake	Band	—	—	—	Band	4" (10.16cm)	26" (66cm)	258 In ² (1665cm ²)
Third Drum	Band	4 1/2" (11.43cm)	43" (109.2cm)	518 In ² (3342cm ²)	Band	6" (15.24cm)	50" (127cm)	748 In ² (4826cm ²)

LAGGING DATA

Lagging Location	Use	Drum P.D.	Drum Width	Type	Eff. Capy. 1st Layer	Maximum Capy. Layers	Wire Rope Size
Boom Hoist Shaft	Boom Hoist	15" (38.1cm)	14-7/16" (36.7cm)	Grooved	90' (27.4M)	1002' (305.4M) in 7	1" (25.4mm)
Rear Hoist Shaft	Main Hoist	24" (61cm)	38" (96.5cm)	Grooved	191' (58.2m)	1,796' (547.4M) in 7	1-1/8" (28.6mm)
Right Hand Front Hoist Shaft	Auxiliary Hoist	24" (61cm)	17 1/2" (44.5cm)	Grooved	79' (24.1M)	658' (200.6M) in 6	1-1/8" (28.6mm)
Left Hand Front Hoist Shaft	Third Drum	24" (61cm)	17 1/2" (44.5cm)	Grooved	79' (24.1M)	658' (200.6m) in 6	1-1/8" (28.6mm)
Front Hoist Shaft	Full Width Front Drum	24" (61cm)	38" (96.5cm)	Grooved	191' (58.2M)	1,796' (547.4M) in 7	1-1/8" (28.6mm)

MISCELLANEOUS DATA (ROTATOR)

Swing Speed	2.1 R.P.M.
Fuel Capacity	200 Gal. (757 Liters)
Travel Speed	375 M.P.H. (604 Km.P.H.)

CLARK 7707

300 Ton Capacity

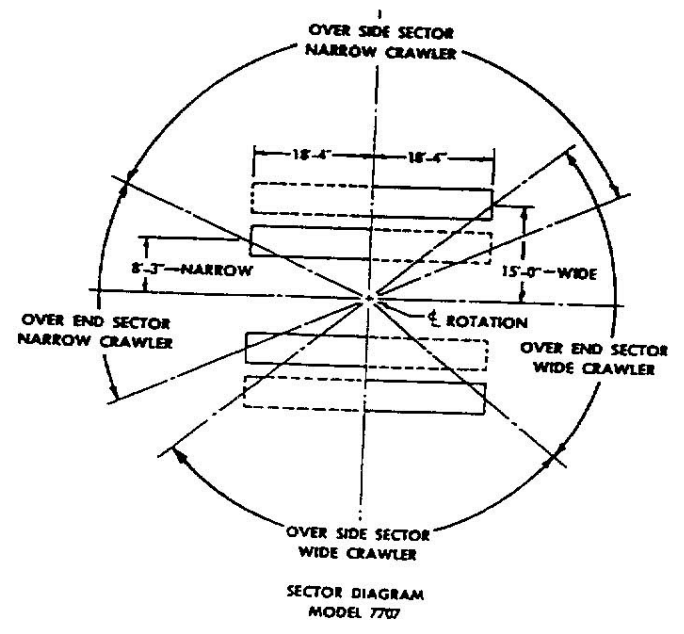
TUBULAR BOOM 300 TON CLASS 18-2831																												
Boom				Narrow	Wide	Boom				Narrow	Wide	Boom				Narrow	Wide											
L	R	A	M	Crawler	Crawler	L	R	A	M	Crawler	Crawler	L	R	A	M	Crawler	Crawler											
70'	18'	81.0	77.5	522,300	600,000	150'	35'	74.2	155.6	179,000	299,800	230'	45'	79.6	214.8	124,500	201,800	260'	78.2	267.6	81,480	111,480						
	20'	79.4	77.1	429,900	517,700		40'	72.5	154.5	148,400	255,200		50'	78.2	211.8	107,100	171,200		60'	75.4	211.1	82,900	113,900	70'	72.5	208.4	66,500	108,100
	25'	77.0	86.1	296,200	480,100		45'	75.3	153.2	126,200	221,000		60'	69.6	204.8	54,600	90,000		70'	69.6	204.8	54,600	90,000	80'	66.7	200.7	45,700	76,600
	30'	75.2	95.1	224,200	390,700		50'	73.1	151.8	109,200	194,100		70'	63.7	196.0	48,700	66,200		80'	60.5	190.5	33,000	57,800	90'	57.3	184.4	28,400	50,800
	35'	73.7	104.1	179,500	321,300		60'	69.1	148.7	84,900	151,700		80'	56.3	182.2	47,900	65,000		100'	51.5	174.7	35,400	63,600	110'	48.4	175.8	31,200	57,800
	40'	70.7	112.9	148,800	272,400		70'	66.8	143.8	68,600	121,400		100'	46.4	175.8	35,400	63,600		120'	40.7	165.0	30,800	55,600	130'	34.3	166.6	26,900	49,100
	45'	68.9	121.8	126,500	235,600		80'	64.5	138.2	58,000	105,500		120'	33.2	162.2	26,700	48,900		140'	26.6	154.4	23,700	43,600	150'	15.6	147.1	20,900	39,000
	50'	67.1	130.9	109,700	199,700		90'	60.7	132.2	49,300	93,800		130'	29.4	158.9	23,400	43,200		160'	22.3	148.6	20,000	37,800	170'	13.1	144.3	18,400	34,500
	55'	65.0	139.3	95,800	179,900		100'	58.6	127.4	43,700	84,800		140'	25.7	154.3	20,600	37,800		180'	16.0	140.0	18,000	34,500	190'	9.9	138.6	16,600	31,600
	60'	63.1	148.6	84,900	159,900		110'	56.7	122.4	38,900	77,200		150'	22.9	150.7	18,400	34,500		200'	11.1	136.3	16,600	31,600	210'	6.1	132.2	15,100	28,400
65'	61.2	158.1	73,800	142,900	120'	54.9	117.9	35,500	72,500	160'	20.4	148.1	16,600	31,600	220'	7.0	128.8	14,800	28,400	230'	4.8	128.8	13,600	26,000				
70'	59.9	168.3	64,800	129,900	130'	53.4	113.4	32,600	66,600	170'	18.4	144.7	15,100	28,400	240'	3.5	124.4	13,600	26,000	250'	2.9	120.0	12,400	23,800				
75'	58.5	178.9	58,000	119,900	140'	52.5	108.6	30,500	63,400	180'	17.4	140.7	14,000	26,000	260'	2.5	119.9	12,400	23,800	270'	2.0	116.6	11,400	22,200				
80'	57.3	189.7	52,900	112,900	150'	51.5	104.2	28,900	60,800	190'	16.6	136.6	13,000	24,200	280'	2.0	115.0	11,400	21,400	290'	1.6	111.7	10,600	20,800				
85'	56.1	201.1	48,900	107,900	160'	50.7	99.9	27,700	59,200	200'	15.8	132.2	12,400	22,600	300'	1.5	110.0	10,600	20,800	310'	1.2	107.7	9,900	19,800				
90'	55.0	213.1	44,900	102,900	170'	49.8	96.2	26,700	57,800	210'	15.1	128.8	11,800	21,400	320'	1.2	105.8	9,900	19,800	330'	1.0	103.9	9,300	18,800				
95'	54.0	225.7	41,900	97,900	180'	48.8	92.7	25,800	56,200	220'	14.5	125.4	11,400	20,800	340'	1.0	102.1	9,300	18,800	350'	0.9	100.2	8,900	18,200				
100'	53.0	239.1	39,900	92,900	190'	47.8	89.2	25,000	54,600	230'	13.9	122.0	11,000	20,200	360'	0.9	99.4	8,700	18,200	370'	0.8	97.7	8,400	17,800				
105'	52.1	253.3	37,900	87,900	200'	46.8	85.7	24,300	53,000	240'	13.4	118.8	10,600	19,600	380'	0.8	97.0	8,400	17,800	380'	0.8	97.0	8,400	17,800				
110'	51.2	268.5	36,900	82,900	210'	45.8	82.2	23,700	51,400	250'	13.0	115.4	10,200	19,000	400'	0.8	96.3	8,100	17,400	400'	0.8	96.3	8,100	17,400				
115'	50.3	284.7	35,900	77,900	220'	44.8	78.7	23,200	49,800	260'	12.6	112.0	9,800	18,400	420'	0.7	95.7	7,900	17,000	420'	0.7	95.7	7,900	17,000				
120'	49.4	302.0	34,900	72,900	230'	43.8	75.2	22,800	48,200	270'	12.2	108.6	9,400	17,800	440'	0.7	95.1	7,700	16,600	440'	0.7	95.1	7,700	16,600				
125'	48.5	320.3	33,900	67,900	240'	42.8	71.7	22,400	46,600	280'	11.8	105.2	9,000	17,200	460'	0.6	94.5	7,500	16,200	460'	0.6	94.5	7,500	16,200				
130'	47.6	339.6	32,900	62,900	250'	41.8	68.2	22,000	45,000	290'	11.4	101.8	8,600	16,600	480'	0.6	93.9	7,300	15,800	480'	0.6	93.9	7,300	15,800				
135'	46.7	359.9	31,900	57,900	260'	40.8	64.7	21,600	43,400	300'	11.0	98.4	8,200	16,000	500'	0.5	93.3	7,100	15,400	500'	0.5	93.3	7,100	15,400				
140'	45.8	381.2	30,900	52,900	270'	39.8	61.2	21,200	41,800	310'	10.6	95.0	7,800	15,400	520'	0.5	92.7	6,900	15,000	520'	0.5	92.7	6,900	15,000				
145'	44.9	403.5	29,900	47,900	280'	38.8	57.7	20,800	40,200	320'	10.2	91.6	7,400	14,800	540'	0.5	92.1	6,700	14,600	540'	0.5	92.1	6,700	14,600				
150'	44.0	426.8	28,900	42,900	290'	37.8	54.2	20,400	38,600	330'	9.8	88.2	7,000	14,200	560'	0.4	91.5	6,500	14,200	560'	0.4	91.5	6,500	14,200				
155'	43.1	450.1	27,900	37,900	300'	36.8	50.7	20,000	37,000	340'	9.4	84.8	6,600	13,600	580'	0.4	90.9	6,300	13,800	580'	0.4	90.9	6,300	13,800				
160'	42.2	474.4	26,900	32,900	310'	35.8	47.2	19,600	35,400	350'	9.0	81.4	6,200	13,000	600'	0.4	90.3	6,100	13,600	600'	0.4	90.3	6,100	13,600				
165'	41.3	499.7	25,900	27,900	320'	34.8	43.7	19,200	33,800	360'	8.6	78.0	5,800	12,400	620'	0.3	89.7	5,900	13,200	620'	0.3	89.7	5,900	13,200				
170'	40.4	525.0	24,900	22,900	330'	33.8	40.2	18,800	32,200	370'	8.2	74.6	5,400	11,800	640'	0.3	89.1	5,700	12,800	640'	0.3	89.1	5,700	12,800				
175'	39.5	551.3	23,900	17,900	340'	32.8	36.7	18,400	30,600	380'	7.8	71.2	5,000	11,200	660'	0.3	88.5	5,500	12,400	660'	0.3	88.5	5,500	12,400				
180'	38.6	577.6	22,900	12,900	350'	31.8	32.8	18,000	29,000	390'	7.4	67.8	4,600	10,600	680'	0.2	87.9	5,300	12,000	680'	0.2	87.9	5,300	12,000				
185'	37.7	603.9	21,900	7,900	360'	30.8	28.9	17,600	27,400	400'	7.0	64.4	4,200	10,000	700'	0.2	87.3	5,100	11,600	700'	0.2	87.3	5,100	11,600				
190'	36.8	630.2	20,900	2,900	370'	29.8	25.0	17,200	25,800	410'	6.6	61.0	3,800	9,400	720'	0.2	86.7	4,900	11,200	720'	0.2	86.7	4,900	11,200				
195'	35.9	656.5	19,900	1,900	380'	28.8	21.1	16,800	24,200	420'	6.2	57.6	3,400	8,800	740'	0.2	86.1	4,700	10,800	740'	0.2	86.1	4,700	10,800				
200'	35.0	682.8	18,900	1,900	390'	27.8	17.2	16,400	22,600	430'	5.8	54.2	3,000	8,200	760'	0.2	85.5	4,500	10,400	760'	0.2	85.5	4,500	10,400				
205'	34.1	709.1	17,900	1,900	400'	26.8	13.3	16,000	21,000	440'	5.4	50.8	2,600	7,600	780'	0.2	84.9	4,300	10,000	780'	0.2	84.9	4,300	10,000				
210'	33.2	735.4	16,900	1,900	410'	25.8	9.4	15,600	19,400	450'	5.0	47.4	2,200	7,000	800'	0.2	84.3	4,100	9,600	800'	0.2	84.3	4,100	9,600				
215'	32.3	761.7	15,900	1,900	420'	24.8	5.5	15,200	17,800	460'	4.6	44.0	1,800	6,400	820'	0.2	83.7	3,900	9,200	820'	0.2	83.7	3,900	9,200				
220'	31.4	788.0	14,900	1,900	430'	23.8	1.6	14,800	16,200	470'	4.2	40.6	1,400	5,800	840'	0.2	83.1	3,700	8,800	840'	0.2	83.1	3,700	8,800				
225'	30.5	814.3	13,900	1,900	440'	22.8	1.6	14,400	14,600	480'	3.8	37.2	1,000	5,200	860'	0.2	82.5	3,500	8,400	860'	0.2	82.5	3,500					

CLARK 7707

300 Ton Capacity

MAXIMUM COUNTERWEIGHT - 99,300 LBS.

Boom				Narrow Crawler	Wide Crawler	Capacities Below Apply to Lbs - See Job Data									
L	R	A	H			Boom Plus Jib			Boom Plus Jib			Boom Plus Jib			Wide Crawler
				Length	Radius	Wide Crawler	Length	Radius	Wide Crawler	Length	Radius	Wide Crawler	Length	Radius	
90'	70	74.8	311.6	64,800	102,800	80'	80'	80'	80,000	120'	120'	120,000	110'	110'	110,000
	80	76.3	309.5	52,900	87,900	90'	90'	90,000	110'	110'	110,000	100'	100'	100,000	
	90	74.4	306.8	43,900	75,600	100'	100'	100,000	120'	120'	120,000	110'	110'	110,000	
	100	72.5	303.7	36,800	65,200	110'	110'	110,000	130'	130'	130,000	120'	120'	120,000	
	110	70.5	300.3	31,200	56,800	120'	120'	120,000	140'	140'	140,000	130'	130'	130,000	
	120	68.6	296.5	26,500	49,800	130'	130'	130,000	150'	150'	150,000	140'	140'	140,000	
	130	66.6	292.3	22,600	44,100	140'	140'	140,000	160'	160'	160,000	150'	150'	150,000	
	140	64.5	287.7	19,300	38,600	150'	150'	150,000	170'	170'	170,000	160'	160'	160,000	
	150'	62.4	282.7	16,500	33,500	160'	160'	160,000	180'	180'	180,000	170'	170'	170,000	
	Midpoint Location 160'	58.2	277.1	14,100	29,100	170'	170'	170,000	190'	190'	190,000	180'	180'	180,000	
	Midpoint Sag 17"	56.0	264.5	11,900	25,200	180'	180'	180,000	200'	200'	200,000	190'	190'	190,000	
	110'	70	78.2	311.8	64,800	102,800	80'	80'	80,000	120'	120'	120,000	110'	110'	110,000
80		76.3	309.5	52,900	87,900	90'	90'	90,000	110'	110'	110,000	100'	100'	100,000	
90		74.4	306.8	43,900	75,600	100'	100'	100,000	120'	120'	120,000	110'	110'	110,000	
100		72.5	303.7	36,800	65,200	110'	110'	110,000	130'	130'	130,000	120'	120'	120,000	
110		70.5	300.3	31,200	56,800	120'	120'	120,000	140'	140'	140,000	130'	130'	130,000	
120		68.6	296.5	26,500	49,800	130'	130'	130,000	150'	150'	150,000	140'	140'	140,000	
130		66.6	292.3	22,600	44,100	140'	140'	140,000	160'	160'	160,000	150'	150'	150,000	
140		64.5	287.7	19,300	38,600	150'	150'	150,000	170'	170'	170,000	160'	160'	160,000	
150'		62.4	282.7	16,500	33,500	160'	160'	160,000	180'	180'	180,000	170'	170'	170,000	
Midpoint Location 160'		58.2	277.1	14,100	29,100	170'	170'	170,000	190'	190'	190,000	180'	180'	180,000	
Midpoint Sag 17"		56.0	264.5	11,900	25,200	180'	180'	180,000	200'	200'	200,000	190'	190'	190,000	
120'		70	78.6	322.0	64,700	100,000	80'	80'	80,000	120'	120'	120,000	110'	110'	110,000
	80	76.8	319.8	52,800	85,400	90'	90'	90,000	110'	110'	110,000	100'	100'	100,000	
	90	74.9	317.2	43,800	73,700	100'	100'	100,000	120'	120'	120,000	110'	110'	110,000	
	100	73.1	314.2	36,700	64,200	110'	110'	110,000	130'	130'	130,000	120'	120'	120,000	
	110	71.2	310.9	31,000	56,200	120'	120'	120,000	140'	140'	140,000	130'	130'	130,000	
	120	69.3	307.3	26,300	49,500	130'	130'	130,000	150'	150'	150,000	140'	140'	140,000	
	130	67.3	303.2	22,400	43,800	140'	140'	140,000	160'	160'	160,000	150'	150'	150,000	
	140	65.4	298.8	19,100	38,500	150'	150'	150,000	170'	170'	170,000	160'	160'	160,000	
	150'	63.4	293.9	16,300	33,400	160'	160'	160,000	180'	180'	180,000	170'	170'	170,000	
	Midpoint Location 160'	61.3	288.6	13,800	29,000	170'	170'	170,000	190'	190'	190,000	180'	180'	180,000	
	Midpoint Sag 17"	59.3	282.8	11,700	25,100	180'	180'	180,000	200'	200'	200,000	190'	190'	190,000	
	130'	70	78.9	332.2	64,400	97,000	80'	80'	80,000	120'	120'	120,000	110'	110'	110,000
80		77.2	330.0	52,400	82,600	90'	90'	90,000	110'	110'	110,000	100'	100'	100,000	
90		75.4	327.5	43,400	71,300	100'	100'	100,000	120'	120'	120,000	110'	110'	110,000	
100		73.6	324.7	36,300	62,000	110'	110'	110,000	130'	130'	130,000	120'	120'	120,000	
110		71.8	321.5	30,600	54,400	120'	120'	120,000	140'	140'	140,000	130'	130'	130,000	
120		69.9	318.0	26,000	48,000	130'	130'	130,000	150'	150'	150,000	140'	140'	140,000	
130		68.1	314.1	22,100	42,500	140'	140'	140,000	160'	160'	160,000	150'	150'	150,000	
140		66.2	309.8	18,800	37,800	150'	150'	150,000	170'	170'	170,000	160'	160'	160,000	
150'		64.2	305.1	15,900	33,300	160'	160'	160,000	180'	180'	180,000	170'	170'	170,000	
Midpoint Location 160'		62.3	300.0	13,500	28,900	170'	170'	170,000	190'	190'	190,000	180'	180'	180,000	
Midpoint Sag 17"		60.3	294.5	11,300	25,000	180'	180'	180,000	200'	200'	200,000	190'	190'	190,000	

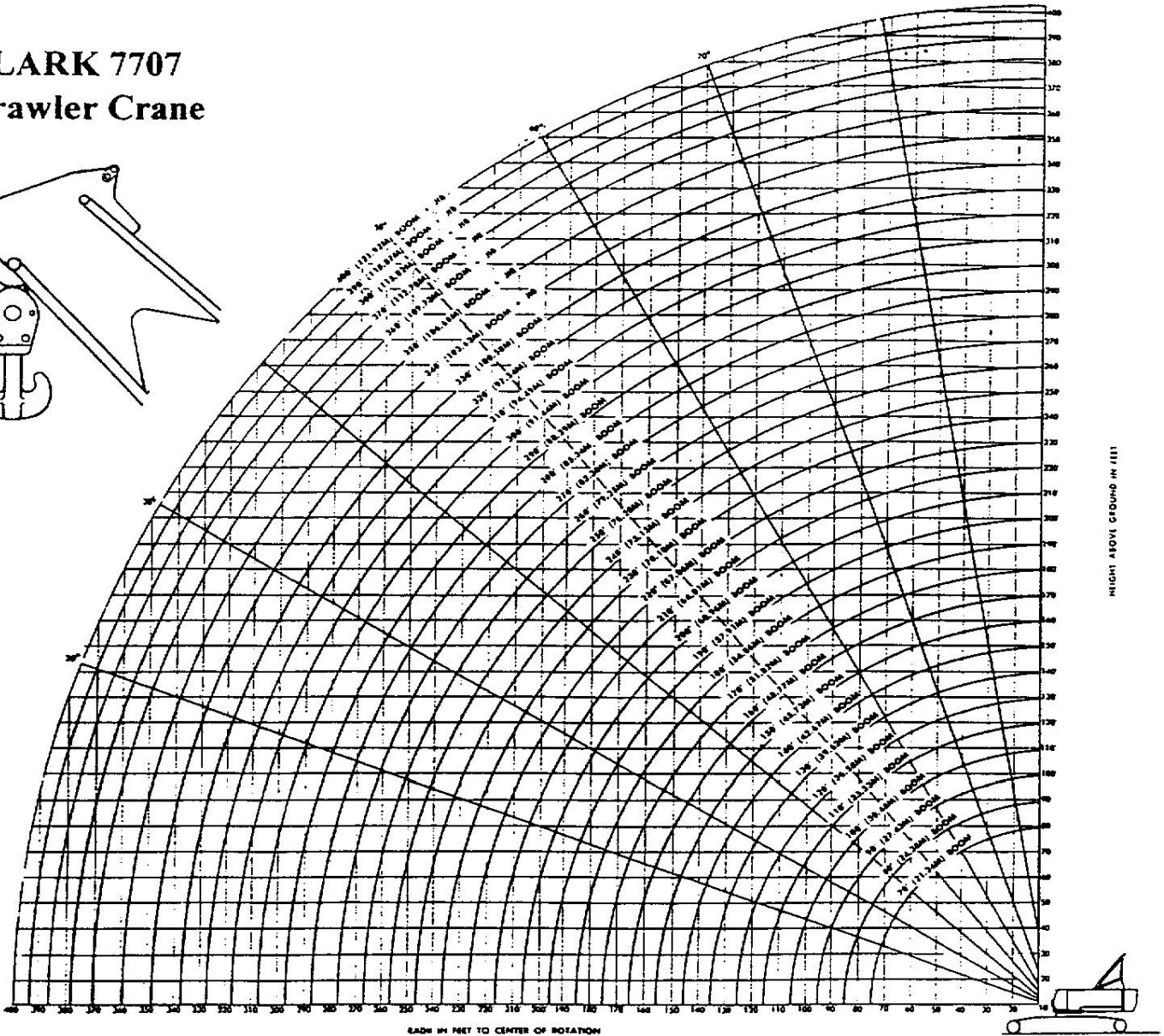
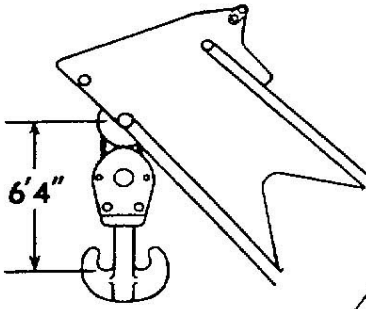


- This Chart is Based Upon:
1. Capacities marked with * are based upon structural limitations of the machine, all others do not exceed 75% of tipping in the least stable direction.
 2. When the machine is in the wide crawler configuration the capacities listed under wide crawler may be used for full 360° operation.
 3. When the machine is in the narrow crawler configuration, the capacities listed under narrow crawler may be used for full 360° operation.
 4. Machine to be leveled on a firm solid support except as described in Note III below.
 5. All hook blocks, lifting tackle and jib attachments are considered a part of the load to be lifted. Exceeding these loads or altering the counterweight nullifies all warranties.
 6. Cams must be in full raised position when handling booms or boom plus jib combinations.
 7. Load ratings shown on this chart make no allowance for such factors as the effect of side loads, wind, ground conditions, and operating speeds. The operator therefore shall reduce loads in order to take these factors into account.
 8. Over the side of the machine is the least stable direction.

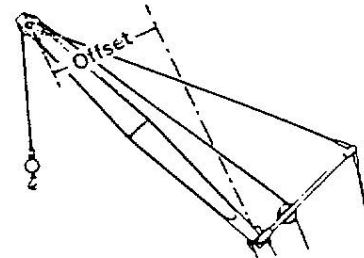
Capacities Per SAE Code 1-765
Class Designation Per U.S. Dept. of Commerce Standards.

L = Boom Length
R = Load Radius from Centerline of Rotation
H = Height of Boom Pin to Shaft Above Ground
A = Boom Angle Above Horizontal

CLARK 7707 Crawler Crane



WIRE ROPE REEVING FOR HOOK BLOCKS	
Parts of Line Rope Load	Parts of Line Required
To 40,000 Lbs. (18144kg.)	1
Over 40,000 Lbs. (18144kg.)	2
Over 80,000 Lbs. (36288kg.)	3
Over 120,000 Lbs. (54432kg.)	4
Over 160,000 Lbs. (72576kg.)	5
Over 200,000 Lbs. (90720kg.)	6
Over 240,000 Lbs. (108864kg.)	7
Over 280,000 Lbs. (127008kg.)	8
Over 320,000 Lbs. (145152kg.)	9
Over 360,000 Lbs. (163296kg.)	10
Over 400,000 Lbs. (181440kg.)	11
Over 440,000 Lbs. (199584kg.)	12
Over 480,000 Lbs. (217728kg.)	13
Over 520,000 Lbs. (235872kg.)	14
Over 560,000 Lbs. (254016kg.)	15



JIB DATA			
Jib Length	Rating	Offset	Effective Weight
40' (12.19M)	40 Tons (36.3 Tons)	13'-6" (4.11M)	4,600 Lbs (2087kg)
50' (15.24M)	31½ Tons (28.6 Tons)	17'-4" (5.28M)	5,450 Lbs (2472kg)
60' (18.29M)	24 Tons (21.8 Tons)	20'-7" (6.27M)	6,350 Lbs (2880kg)
70' (21.34M)	20 Tons (18.1 Tons)	24'-7" (7.49M)	6,975 Lbs (3164kg)
80' (24.38M)	18 Tons (16.3 Tons)	26'-10" (8.18M)	8,025 Lbs (3640kg)
90' (27.43M)	15½ Tons (14.1 Tons)	31'-10" (9.70M)	8,775 Lbs (3980kg)
100' (30.48M)	13½ Tons (12.2 Tons)	33'-3" (10.13M)	10,000 Lbs (4536kg)

Required 1-178" (29mm) Dia. Wire Rope having a minimum breaking strength of 143,000 lbs (64865kg)

Jib capacities are approximately the same as Boom Capacities at any given radius but not to exceed the rating listed. Effective jib weight to be subtracted from Boom capacity chart if load is raised on Boom point when Jib is assembled on Boom.