

MANITEX VALLA

1725-22 SD



Diesel operated Carry-Deck Mobile Crane Max. Capacity Kg. 10.000



TECHNICAL DATA

ENGINE: diesel 51 HP, water cooled engine.

TRANSMISSION: hydrostatic; differential axle.

WHEELS: 3.00 – 15" pneumatic tyres.

STEERING: power steering hydraulically operated.

SUSPENSION: oscillating rear axle.

BRAKES: foot operated hydraulic shoe brakes to front and rear wheels. Hand brake cable operated to front wheels.

CRANE FRAME: fabricated from preformed and welded steel plate with built-in counterweight. Standard carry deck.

OUTRIGGERS: four hydraulically independent horizontal and vertical. Fitted with safety valves.

BOOM: fabricated from preformed and welded steel plate with 3 hydraulic telescoping sections on nylon wear pads, 360° slewing unlimited and continuously. Incorporated manual extension.

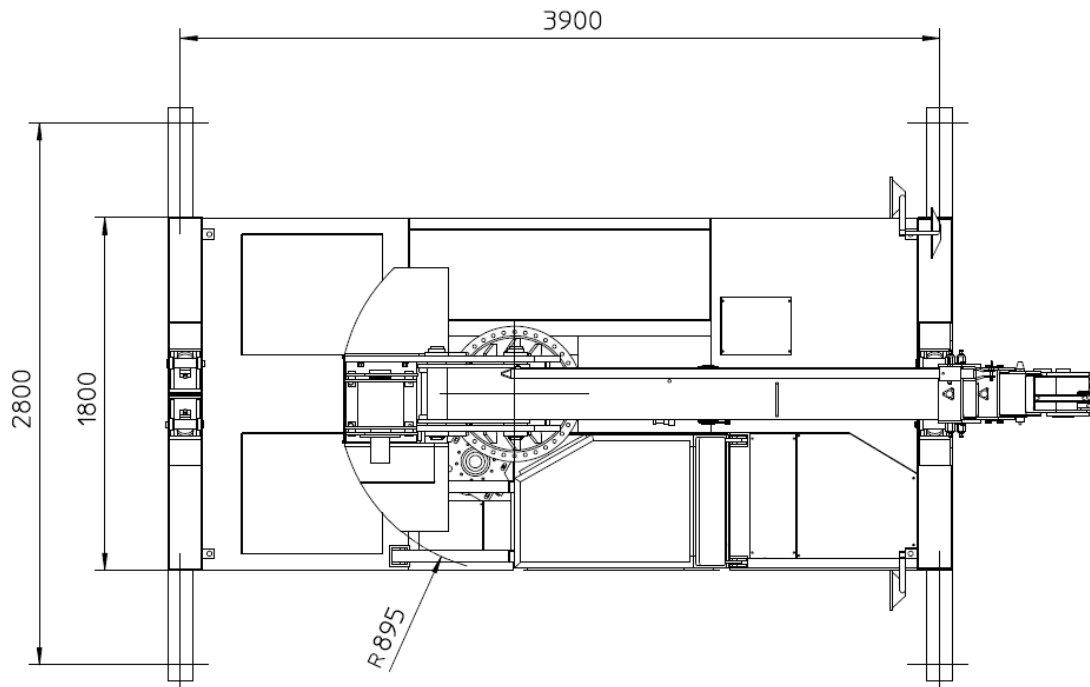
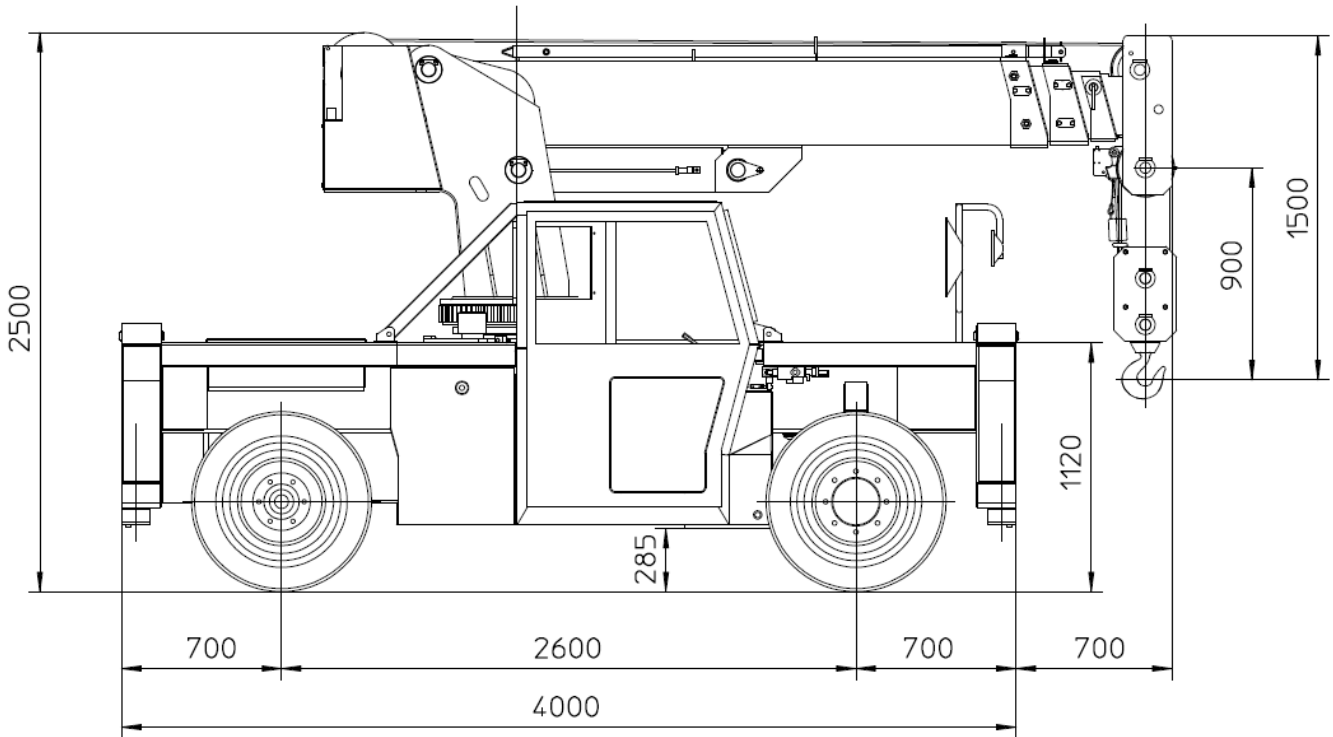
WINCH: hydraulically operated.

CAB: full vision enclosed cab, designed as an independent unit, assembled to the frame including all driving and crane controls within easy reach of the operator.

HYDRAULIC SYSTEM: gear pump, electric proportional distributor controlled by single joystick, filter, safety valves on all boom operations.

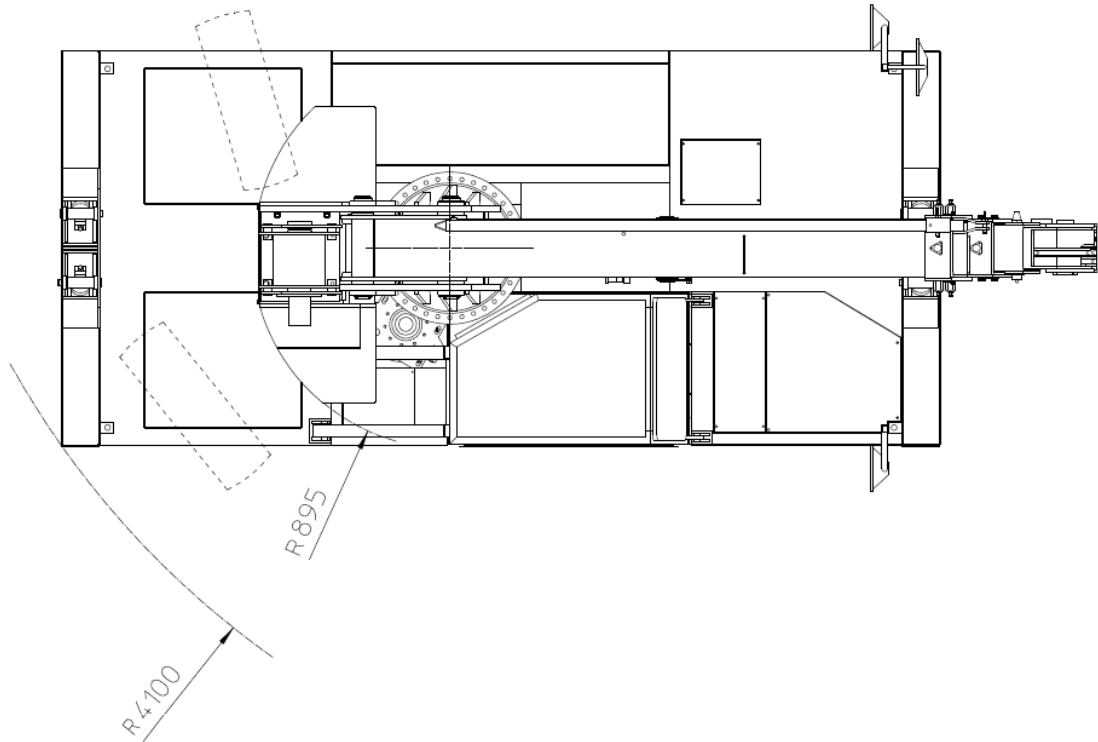
TOTAL MACHINE WEIGHT: nearly kg 10.000.

OPTIONAL EXTRAS: man bucket, remote control, L.M.I. (electronic Load Moment Indicator), jib, 4 wheels steering, remote control (cable or radio)

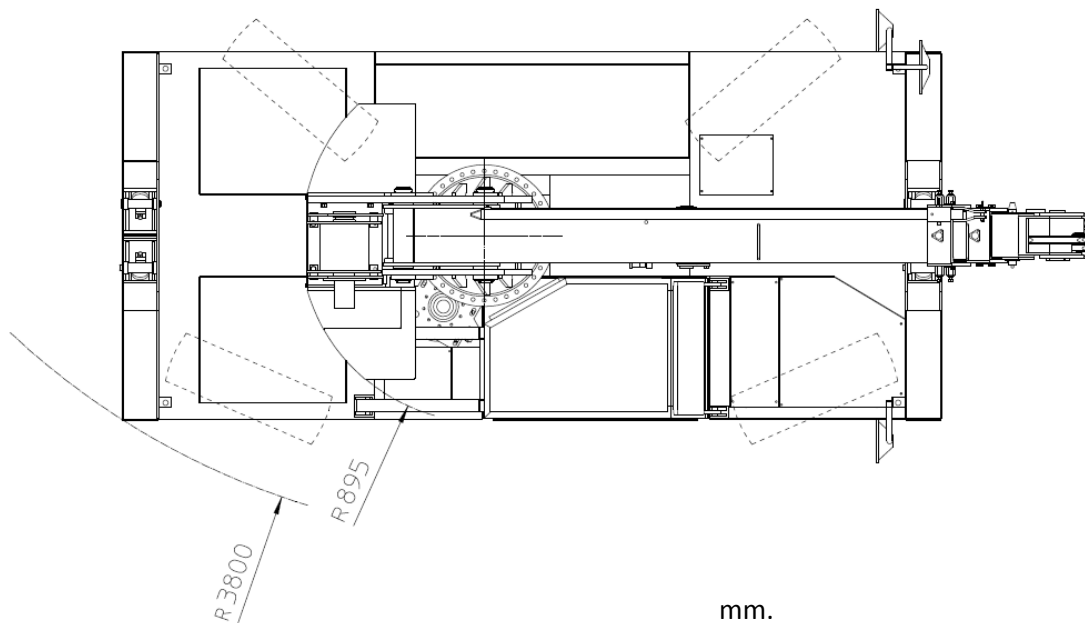


mm.

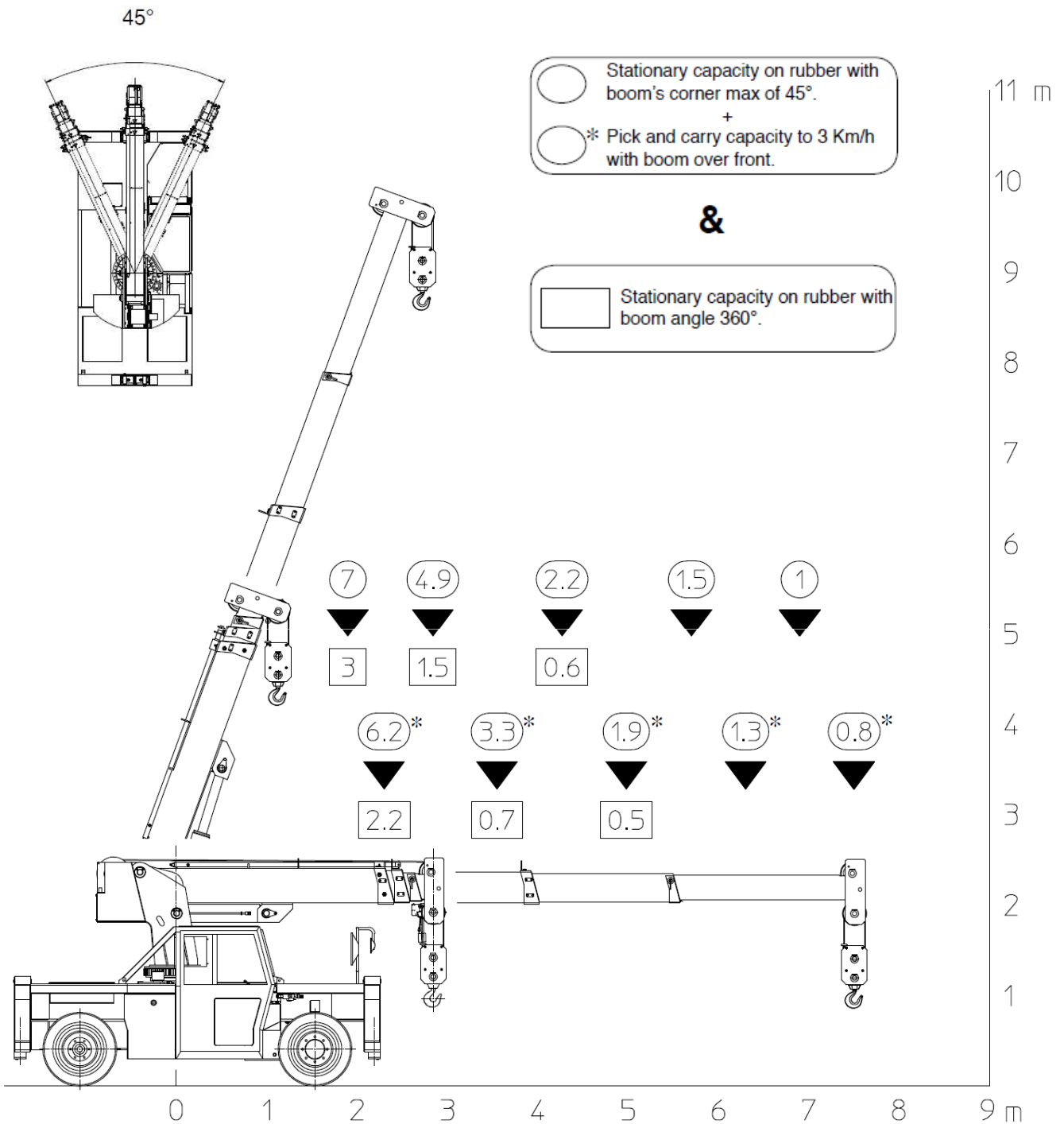
2 WS

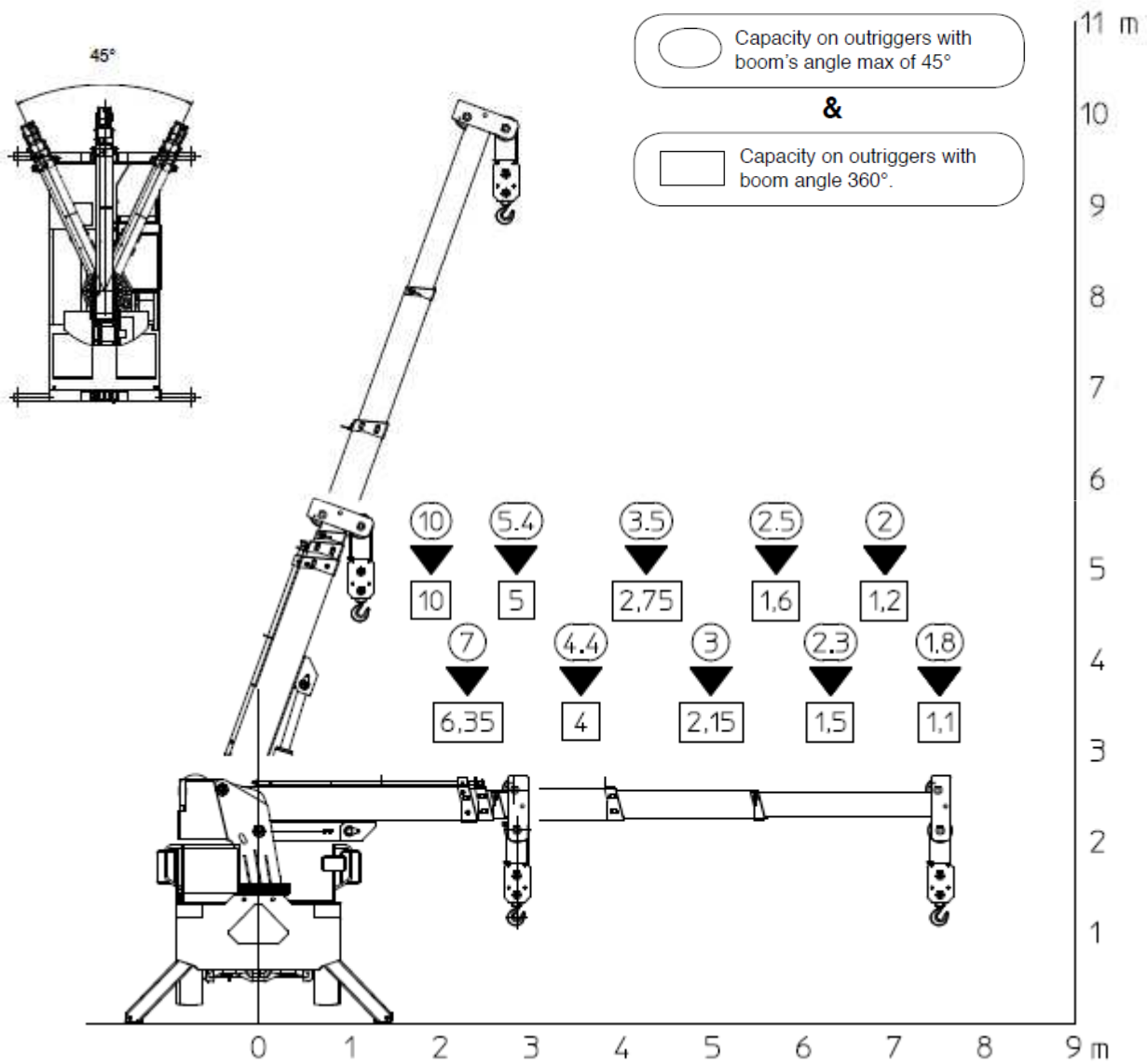


4 WS (OPTIONAL)



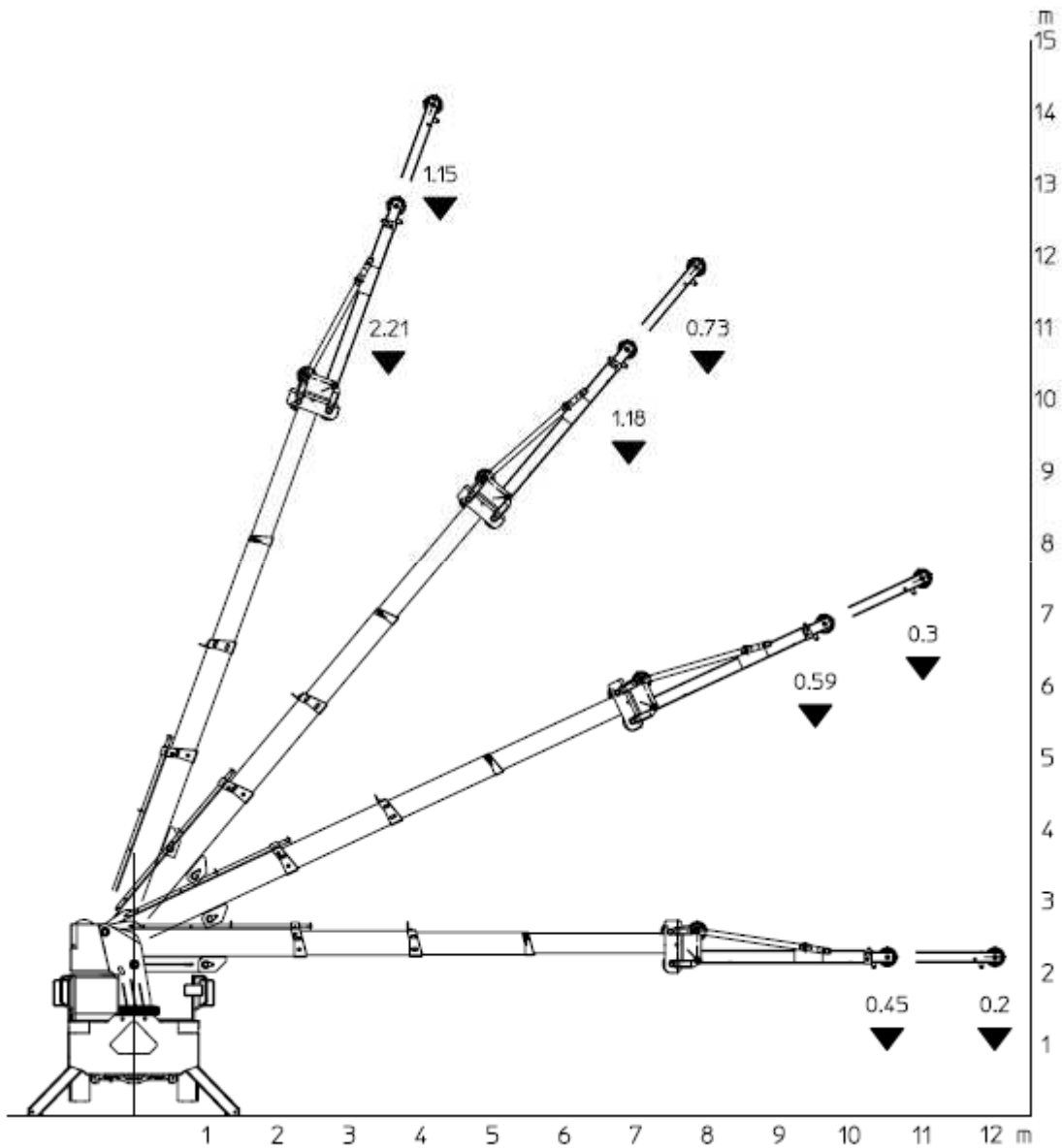
mm.

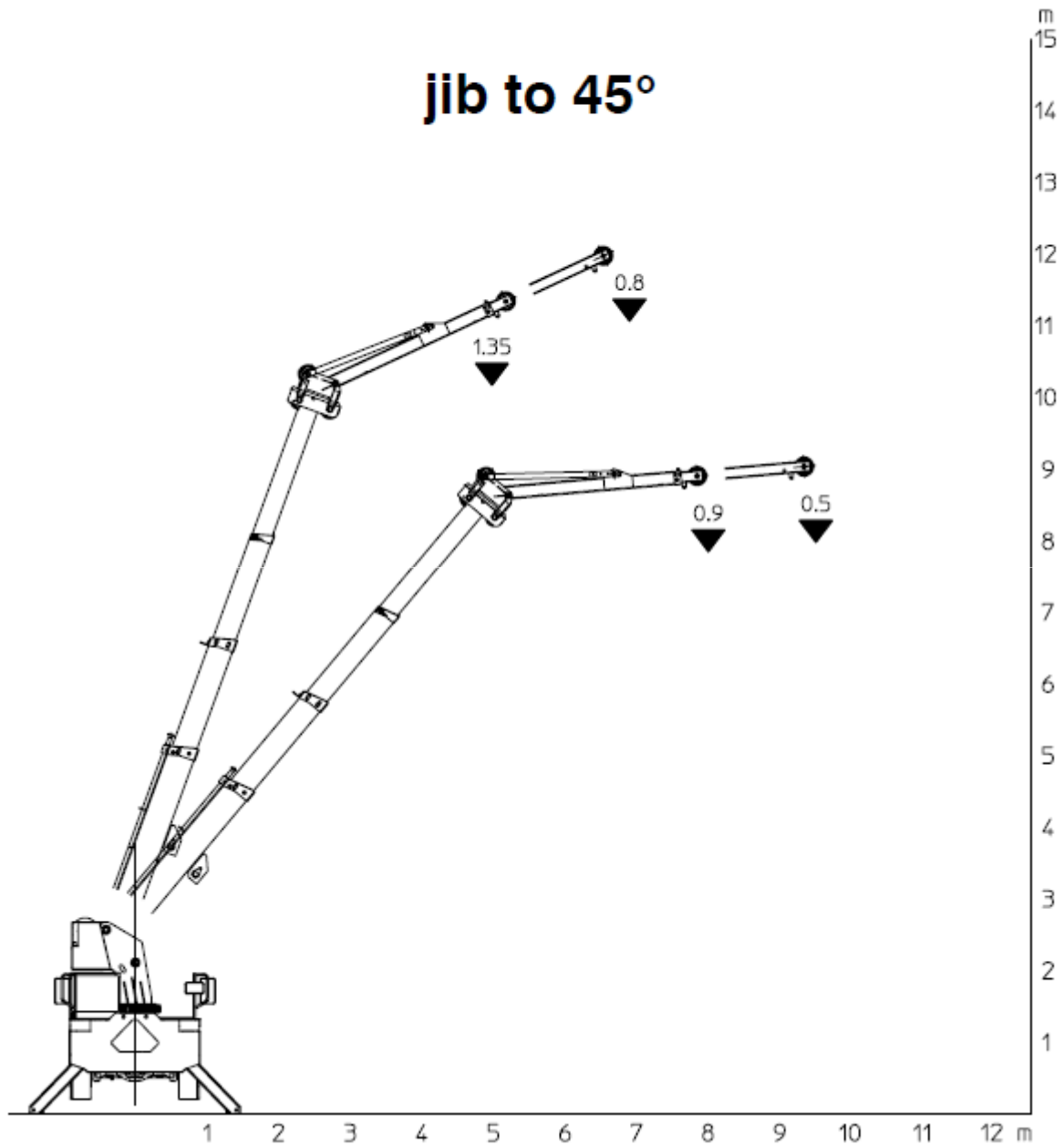




Dati soggetti a variazione senza obbligo di preavviso. Le foto possono differenziarsi dalla scheda descrittiva.

jib to 0°





LIFTING CAPACITY MOD. 1725-22/SE-SD						
RADIUS (mt)	ON OUTRIGGERS				ON RUBBER	
	360°	OVER FRONT (max 45°)	WITH JIB 360°		STATIONARY CAPACITY OVER FRONT (max 12°)	PICK AND CARRY CAPACITY UP TO 3 km/h (boom over front)
			0° retracted	45° retracted	0° extended	45° extended
1.90	10.000	10.000				
2.30	6.350	7.000	2.390			
2.85	5.000	5.400	2.240		1.410	
3.55	4.000	4.400	2.210		1.320	
4.30	2.750	3.500	1.870	1.530	1.150	
5.00	2.150	3.000	1.700	1.400	1.040	
5.70	1.600	2.500	1.530	1.280	960	840
6.30	1.500	2.300	1.400	1.180	910	820
6,90	1.200	2.000	1.180	1.100	870	800
7.50	1.100	1.800	1.020	990	840	780
8.00			870	900	730	750
8.50			770	830	650	710
9.00			670		580	620
9.50			590		520	500
10.0			500		460	450
10.5			450		390	
11.0					300	
11.5					250	
12.0					200	

- Rated loads above do not exceed 80% of tipping loads on outriggers and 75% on rubber.
- Capacities above bold lines are based only on structural strenght of crane.
- Capacities and performances are for crane on firm, level surfaces.
- Pick and carry operation: boom has to be centered overfront, used in the shortest possible lenght, min radius, lowest angle, load close to the ground. Negotiating grades (max 10%) is only permitted WITHOUT LOAD and limited to short distance and time.
- When needed, outriggers must be fully extended.
- When lifting area is not clearly visible by crane's operator, the presence of a second man is mandatory for signaling.
- Never handle a load in the area above cab.

Data subject to be changed without any previous notice. Pictures may differ from technical description.