

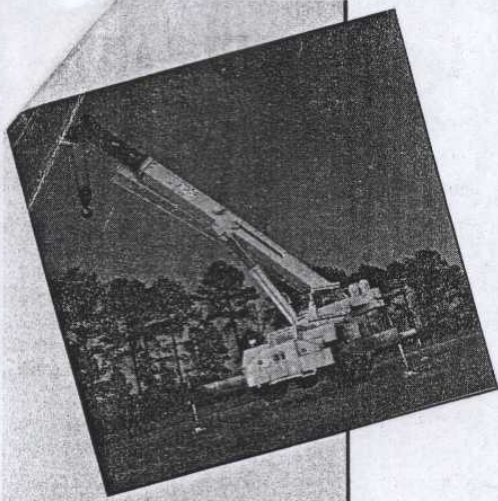
SPECIFICATIONS

RT 160

60 Ton (54 tonne) Capacity
Rough Terrain Crane



 **TEREX CRANES, INC.**



T 160 FEATURES

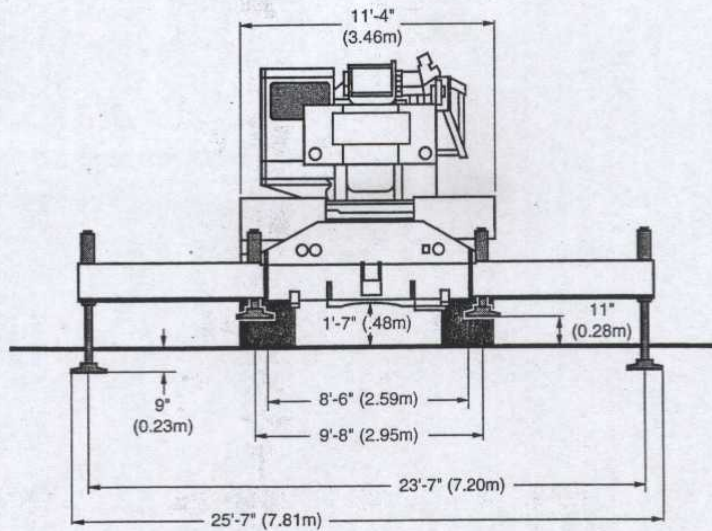
115 ft. (35 m) Boom:
Welded inside and out.

Lattice Extensions:
Swingaway with or without a telescoping stinger for a maximum tip height of 186 ft. (56.7 m).

Matched P&H Winches:
Bent axis motors give you smooth operation and a maximum line pull of 17,100 lbs. (7757 kg).

Three Steering Modes:
Front-wheel, 4-wheel coordinated crab or crab, all controlled by the steering wheel.

Pride Plus Warranty:
The most comprehensive warranty in the business. Covers the entire crane for 12 months or 2,000 hours of operation. Plus, major weldment structures are covered for 5 years or 10,000 hours.



This crane meets the requirements of ANSI B30.5. The machine structure has been tested per SAE J1063. The machine stability has been tested per SAE J765.

BOOM

34 ft. to 115 ft. (10.4 m to 35 m) four-section telescopic boom. Boom point has five non-metallic main sheaves and two non-metallic idler sheaves. Metallic sheaves are available. A mechanical boom angle indicator is provided.

Boom Telescope:

4 section full power synchronius boom with single double-acting cylinder and chain crown and retract.

Boom Hoist:

Two-double-acting cylinders provide elevation from -2 degrees to 78 degrees.

BOOM OPTIONS

Lattice Extension:

Swingaway, 38 ft (11.6 m), self-storing on base section of main boom.

Telescopic Lattice Extension:

Swingaway 38 ft. to 60 ft. (11.6 m to 18.3 m), self-storing on the base section of main boom.

Offset Mechanism:

Pivoting links which allow lattice extensions to offset 17 or 30 degrees from the main boom.

Auxiliary Boom Point:

Mounted at boom point with single sheave.

COUNTERWEIGHT

15,200 lbs. (6,895 kg) bolt on type.

CAB

All-weather environmental cab of steel has locking door and opening ceiling, side, and rear windows with tinted safety glass throughout. Operator's cloth-covered seat is fully adjustable and has shock-absorbing suspension and seat belt. Steering column tilts and telescopes for comfort. Cab is cushion-mounted for vibration dampening and noise reduction. Contains all roading and crane function controls including armrest-mounted joystick or twin lever controls for swing, auxiliary winch, main winch, and boom hoist. Foot pedals for swing brake, boom telescope, service brakes and engine throttle.

Front console includes gauges for engine water temperature, engine oil pressure, hydraulic oil temperature, transmission oil temperature, air pressure and fuel. Also includes hourmeter, speedometer, tachometer, voltmeter, winch high speed indicator, rear steer centering light, engine condition warning system, anti-two block system and electronic LMI. Additional cab equipment includes windshield wiper and washer, defroster fan, interior cab light, fire extinguisher, machine level gauge, electric horn and hand throttle.

5x25-28PR tubeless with
rock tread (E-3).
Spare tires with rims.
Tire inflation kit.

ENGINE

Cummins 6CT8.3, 4-cycle, turbo-
charged diesel with a displacement
of 505 cu. in. (8.3 liters). Output is
215 HP (160 kw) @ 2,500 rpm with
maximum torque of 558 ft. lbs. (756
Nm) @ 1,500 rpm.

Electrical:

24 volt system with negative ground,
two 8D batteries, and a 70 amp
alternator.

Fuel Tank:

80 gallon (303 liter) capacity.

TRANSMISSION

Fully sequential powershift with torque
converter, six speeds forward, three
reverse.

Max Speed:

25 mph (40 km/h).

Max Grade:

90% @ stall.

**Miscellaneous Equipment
(Standard):**

Sliding engine hood, front and rear tow
lugs, automatic moisture ejector, air
dryer, headlights, taillights, turn signals
and flashers, back-up alarm, rearview
mirrors, and storage compartments.

**Miscellaneous Equipment
(Optional):**

Engine starting aid, pintle hooks, flood-
lights, amber beacon, roof wiper,
hydraulic air conditioner, and choice of
propane, diesel, or hydraulic (c/w AC)
heater.

PCSA Rating Class 10-280

Capacity charts and related lifting data
can be found in a separate publication.

| RT 160 WEIGHT DISTRIBUTION | POUNDS | | | KILOGRAMS | | |
|-------------------------------|--------|--------|--------|-----------|--------|--------|
| | GROSS | FRONT | REAR | GROSS | FRONT | REAR |
| Basic Machine | 90,463 | 43,912 | 46,551 | 41,034 | 19,918 | 21,116 |
| Additions for Options | | | | | | |
| Lattice Extension | 1,735 | 2,294 | -559 | 787 | 1041 | -254 |
| Telescopic Lattice Extension | 2,661 | 3,795 | -1134 | 1207 | 1721 | -514 |
| Auxiliary Boom Point | 154 | 460 | -306 | 70 | 209 | -139 |
| Auxiliary Winch Wire Rope | 487 | -249 | 736 | 221 | -113 | 334 |
| 60 Ton Hook Block (travel) | 1,122 | 2,323 | -1201 | 509 | 1054 | -545 |
| 10 Ton Headache Ball (boom) | 467 | 764 | -296 | 212 | 346 | -134 |

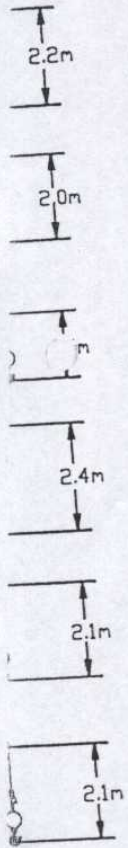
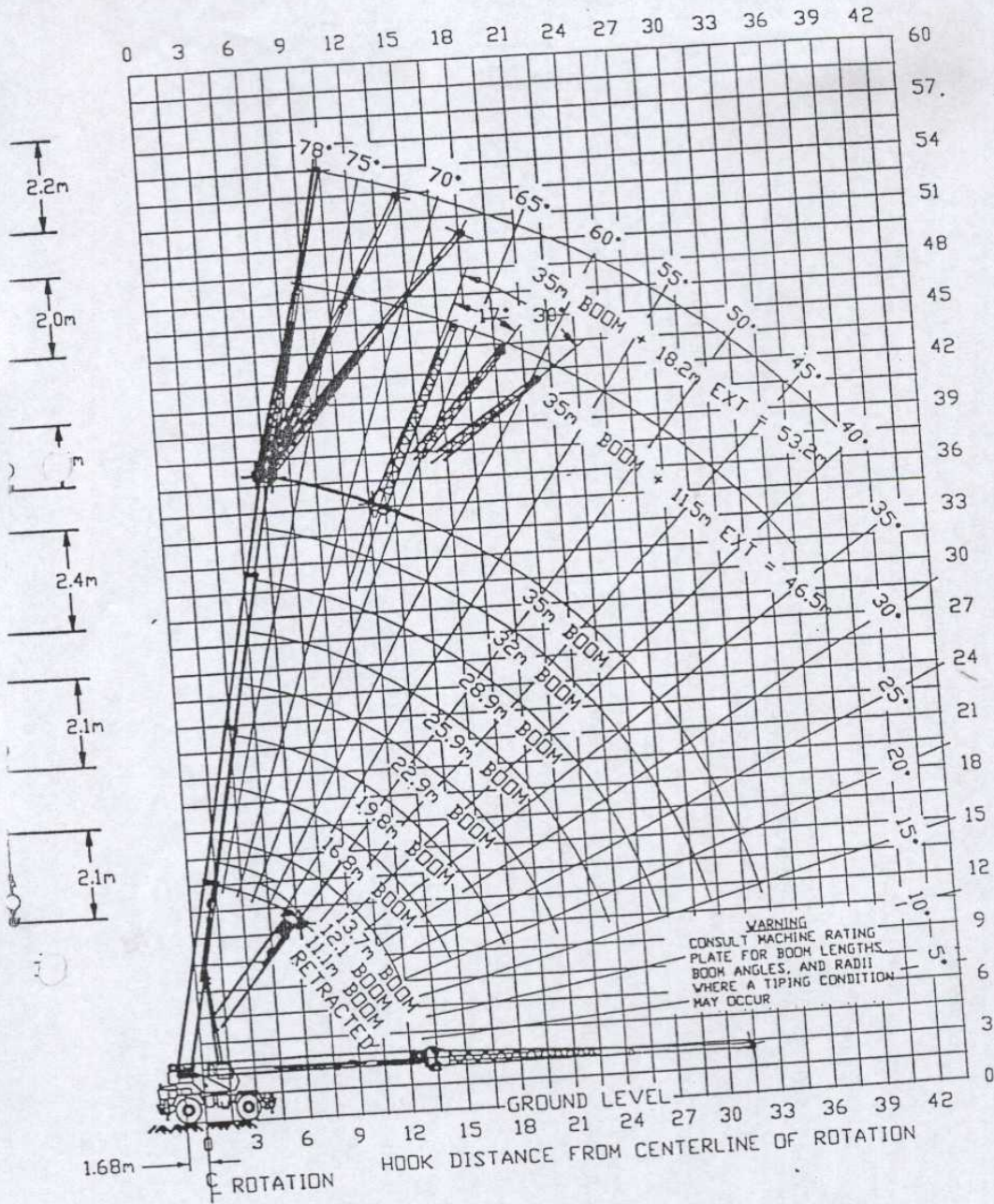
NOTE: All designs, specifications, and components of the equipment described are subject to change at the manufacturer's sole discretion at any time and without advance notice. Capacity charts and information printed here are only a guide and may not be complete. They should not be relied upon to operate the crane. The individual load charts and related lifting data on each crane must be understood and govern operation of the crane. Data published herein is informational in nature and shall not be construed to warrant suitability of the machine for any particular purpose as performance may vary with conditions encountered. The only warranty applicable is our standard warranty for this machine.

 **TEREX CRANES, INC.**

P.O. Box 260002 Hwy. 501 East/Atlantic Center Conway, SC 29526-2602 U.S.A.
(803) 349-6900 FAX (803) 349-7090



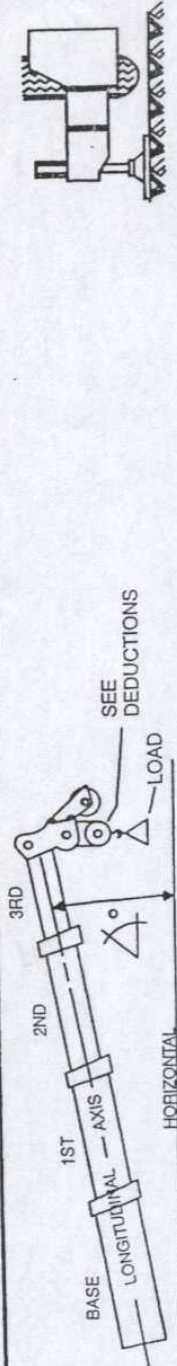
RANGE DIAGRAM RT160 35M FULL POWER BOOM



WARNING
CONSULT MACHINE RATING
PLATE FOR BOOM LENGTHS,
BOOM ANGLES, AND RADII
WHERE A TIPPING CONDITION
MAY OCCUR

3232Z147_B

11.1 - 35.1 METER BOOM ON FULLY EXTENDED OUTRIGGERS
 6895 Kg TOTAL COUNT...WEIGHT
 LOAD MOMENT DEVICE (LMI) CODE # 04



POWERED BOOM LENGTH IN METERS

| LOAD RADIUS M. | 11.1 M | | 12.2 M | | 13.7 M | | 16.8 M | | 19.8 M | | 22.9 M | | 25.9 M | | 29.0 M | | 32.0 M | | 35.1 M | | LOAD RADIUS M. |
|----------------|----------------------|----------|----------------------|----------|----------------------|----------|----------------------|----------|----------------------|----------|----------------------|----------|----------------------|----------|----------------------|----------|----------------------|----------|----------------------|----------|----------------|
| | LOADED BOOM ANGLE X° | LOAD, Kg | LOADED BOOM ANGLE X° | LOAD, Kg | LOADED BOOM ANGLE X° | LOAD, Kg | LOADED BOOM ANGLE X° | LOAD, Kg | LOADED BOOM ANGLE X° | LOAD, Kg | LOADED BOOM ANGLE X° | LOAD, Kg | LOADED BOOM ANGLE X° | LOAD, Kg | LOADED BOOM ANGLE X° | LOAD, Kg | LOADED BOOM ANGLE X° | LOAD, Kg | LOADED BOOM ANGLE X° | LOAD, Kg | |
| 3 | 68 | 54400 | 70 | 46250 | 72 | 39900 | 75 | 34700 | | | | | | | | | | | | | 3 |
| 3.5 | 65 | 47700 | 68 | 43900 | 70 | 39850 | 74 | 34600 | | | | | | | | | | | | | 3.5 |
| 4 | 62 | 43300 | 65 | 41500 | 68 | 38900 | 73 | 34500 | 75 | 27300 | | | | | | | | | | | 4 |
| 5 | 56 | 37400 | 60 | 36600 | 63 | 35500 | 69 | 33050 | 73 | 26500 | 75 | 21300 | | | | | | | | | 5 |
| 6 | 49 | 31600 | 54 | 31350 | 59 | 31350 | 65 | 29750 | 69 | 25900 | 72 | 20350 | | | | | | | | | 6 |
| 7 | 41 | 26800 | 47 | 26800 | 53 | 27400 | 62 | 26550 | 66 | 23500 | 70 | 19200 | 73 | 18150 | 75 | 16800 | | | | | 7 |
| 8 | | | 40 | 22850 | 48 | 23500 | 57 | 23200 | 63 | 21050 | 67 | 17850 | 71 | 16300 | 73 | 15200 | 75 | 13650 | | | 8 |
| 9 | | | 31 | 19700 | 41 | 19800 | 53 | 19550 | 60 | 18750 | 65 | 16200 | 69 | 14750 | 71 | 13750 | 73 | 12700 | 75 | 10350 | 9 |
| 10 | | | | | 33 | 17100 | 48 | 16850 | 56 | 16450 | 62 | 14900 | 66 | 13500 | 69 | 12550 | 71 | 11750 | 73 | 9650 | 10 |
| 12 | | | | | | | 37 | 12650 | 49 | 12900 | 56 | 12650 | 61 | 11400 | 65 | 10500 | 68 | 9950 | 70 | 8300 | 12 |
| 14 | | | | | | | | | 40 | 9900 | 49 | 9700 | 55 | 9350 | 60 | 8750 | 64 | 8300 | 67 | 7200 | 14 |
| 16 | | | | | | | | | 28 | 6400 | 41 | 6400 | 49 | 6400 | 55 | 6400 | 60 | 6400 | 63 | 6300 | 16 |
| 18 | | | | | | | | | | | 33 | 5750 | 43 | 5750 | 50 | 5750 | 55 | 5750 | 59 | 5650 | 18 |
| 20 | | | | | | | | | | | | | 35 | 4800 | 45 | 4900 | 51 | 4900 | 55 | 5000 | 20 |
| 22 | | | | | | | | | | | | | 26 | 3850 | 38 | 3960 | 45 | 4000 | 51 | 4050 | 22 |
| 24 | | | | | | | | | | | | | | | 30 | 3200 | 39 | 3250 | 46 | 3300 | 24 |
| 26 | | | | | | | | | | | | | | | | | 33 | 2650 | 41 | 2650 | 26 |
| 28 | | | | | | | | | | | | | | | | | 24 | 2100 | 35 | 2150 | 28 |
| 30 | | | | | | | | | | | | | | | | | | | 28 | 1700 | 30 |

ZERO DEGREE BOOM ANGLE LOADS (Kg) / RADII (M..)

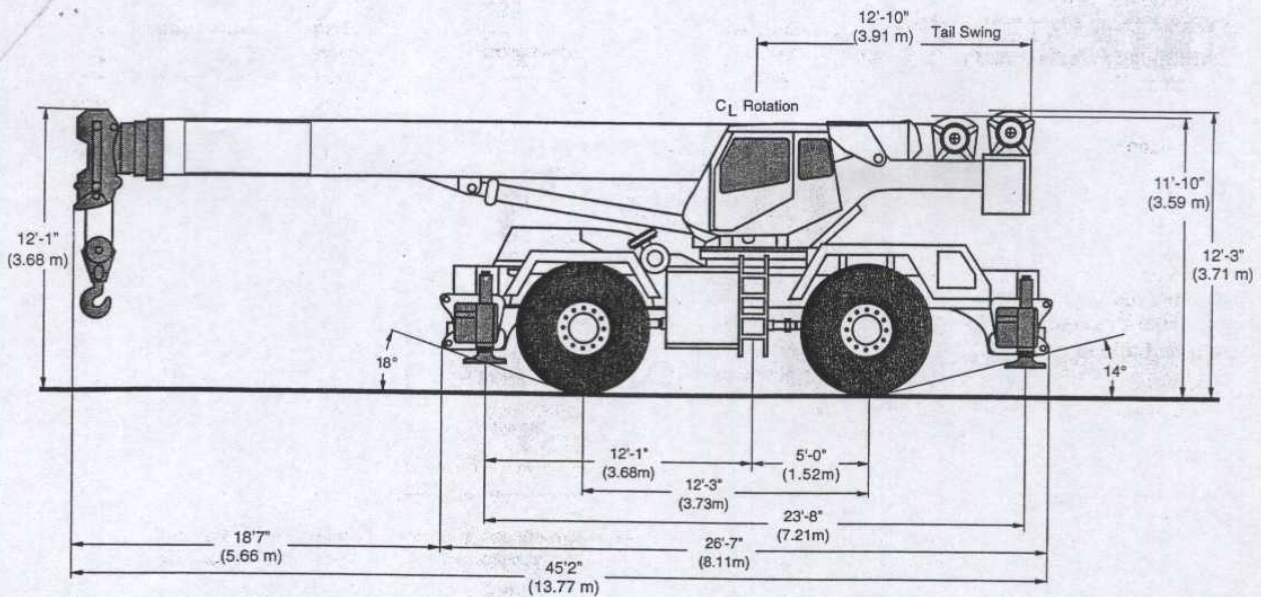
| LOAD RADIUS M. | 0 | 9500 (9.4) | 8100 (10.5) | 6300 (12.0) | 5000 (15.1) | 3550 (18.1) | 2300 (21.2) | 1500 (24.2) | 950 (27.3) | 650 (30.3) | 450 (33.4) |
|----------------|---|------------|-------------|-------------|-------------|-------------|-------------|-------------|------------|------------|------------|
| 3 | | | | | | | | | | | |
| 3.5 | | | | | | | | | | | |
| 4 | | | | | | | | | | | |
| 5 | | | | | | | | | | | |
| 6 | | | | | | | | | | | |
| 7 | | | | | | | | | | | |
| 8 | | | | | | | | | | | |
| 9 | | | | | | | | | | | |
| 10 | | | | | | | | | | | |
| 12 | | | | | | | | | | | |
| 14 | | | | | | | | | | | |
| 16 | | | | | | | | | | | |
| 18 | | | | | | | | | | | |
| 20 | | | | | | | | | | | |
| 22 | | | | | | | | | | | |
| 24 | | | | | | | | | | | |
| 26 | | | | | | | | | | | |
| 28 | | | | | | | | | | | |
| 30 | | | | | | | | | | | |

MINIMUM BOOM ANGLE (DEGREES) FOR INDICATED BOOM LENGTH (NO LOAD) -2

MAXIMUM BOOM LENGTH (METER) AT -2 DEGREE BOOM ANGLE (NO LOAD) 35.1

3232Z153_A

7 CRANE DATA 6 O/R - RETRAC 5 O/R - MID POSITION



Minimum turning radius is 19 ft. 5 in. (6.2 m).

WINCH

1580:

Two-speed with bent axis piston motor, planetary gearing with equal speed power raising and lowering, and infinitely variable speed control. Has automatic multi-disc brake and drum turn indicator.

Drum Capacity:

554 ft. (168 m) of 3/4 in. (19 mm) wire rope.

Wire Rope:

550 ft. (167 m) of 3/4 in. (19 mm) diameter, 6x37 EIPS with 7x7 IWRC.

Strength Limit:

16,800 lbs. (7620 kg) with 3.5:1 safety factor.

Line Pull (Max.):

17,100 lbs. (7757 kg) first layer, low speed.

Line Pull (Permissible):

11,000 lbs. (4990 kg) per part of line.

Line Speed (Max.):

631 fpm (192 mpm) fifth layer, high speed.

HOISTING OPTIONS

Auxiliary Winch:

Same as main winch. Wire rope is optional.

Auxiliary Winch Wire Rope:

460 ft. (140 m) of 3/4 in. (19 mm) diameter, 6x37 EIPS with 7x7 IWRC or rotation-resistant 8x19 EIPS with 7x7 IWRC.

Cable Spooling Device:

For main or auxiliary winches.

Hook Blocks:

60 ton (54 tonne) with five sheaves, or 20 ton (18 tonne) with one sheave.

QUICK REEVING DESIGN

Headache Ball:

8.5 ton (7.7 tonne) weighted hook.

SWING UNIT

360 degree continuous rotation to 2 rpm with disc brake, integral with swing reducer.

House Lock:

Manually engaged 360 degree house lock.

HYDRAULIC SYSTEM

System uses two tandem gear-type pumps with a total flow of 139 gpm (525 lpm). Filtration is by two 10-micron return line filters externally mounted to the reservoir and one 20-micron pressure line filter. An oil cooler and manual disconnect are standard.

Oil Reservoir:

162 gallon (615 liter) capacity.

CARRIER

3 Position Outriggers:

Independent, out and down type with control from the cab. Extension is 23 ft. 7 in. (7.2 m), 16 ft. 4 in. (4.98 m), and 9 ft. 7 in. (2.9 m). Front to rear spread is 23 ft. 8 in. (7.2 m).

Outrigger Floats:

24 in. (610 mm) in square with storage on carrier.

Front Axle:

Planetary drive/steer, rigid mounted. Drive disconnect for two-wheel drive operation.

Rear Axle:

Planetary drive/steer, mounted on oscillating cradle with hydraulic lockout cylinders. Oscillation is ± 5.2 in. (132 mm). Oscillation lockout override control.

Service Brakes:

Dual circuit, air over hydraulic caliper disc brakes at each wheel.

Parking Brakes:

Disc brake on the transmission output shaft.

Steering:

Hydrostatic power steering, front and rear axles. Control modes for front only, four-wheel crab and crab steering, all controlled by the steering wheel. Switch for independent rear steer. Minimum turning radius is 19 ft. 5 in. (6.2 m).

(continued on back)