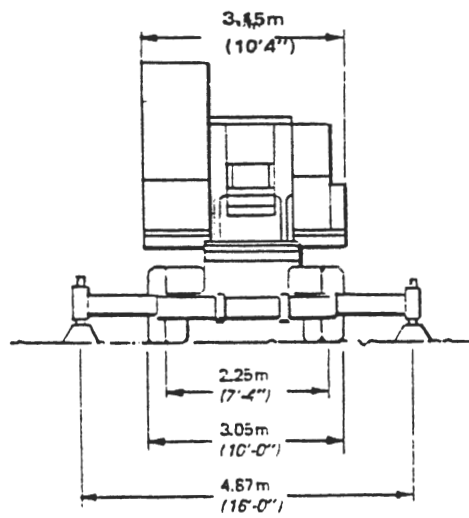
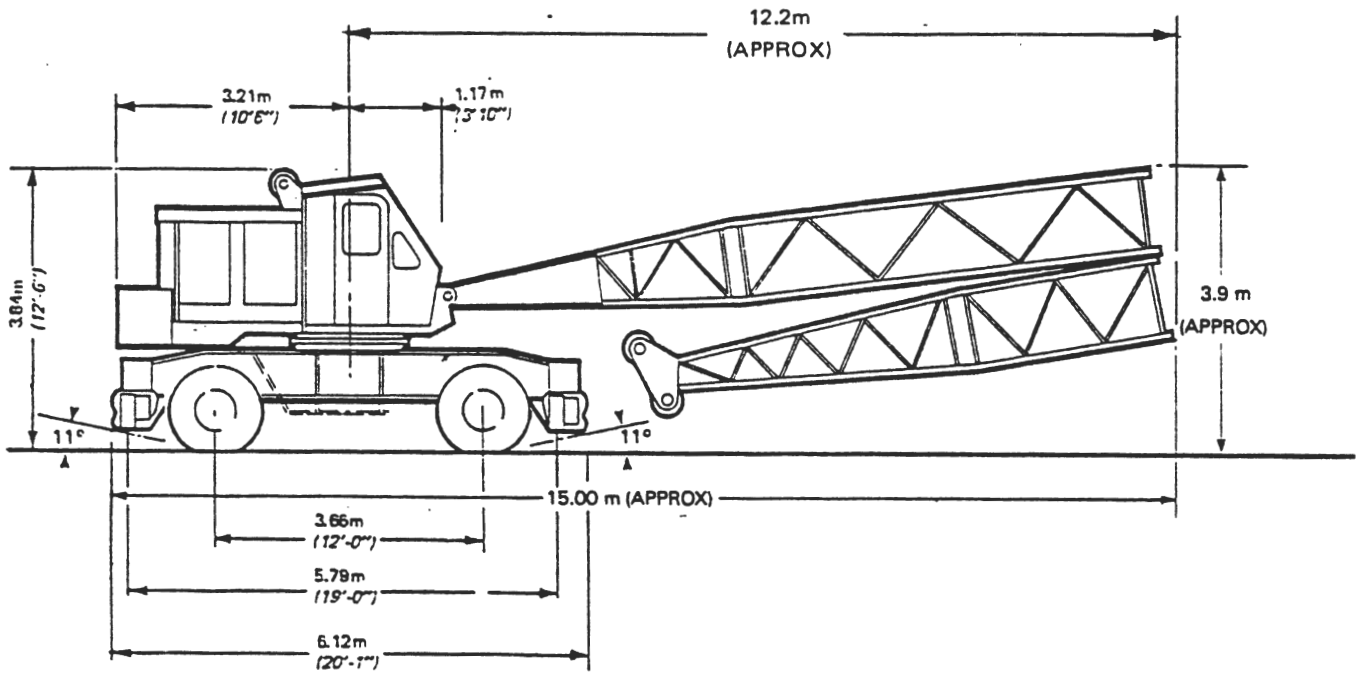


Jib in Normal Travelling Order



CLEAR OUTREACH – ACCORDING TO POSITION OF JIB

POSITION OF JIB RELATIVE TO CHASSIS	DEDUCT FROM RADIUS	
	Value	Value
A OVER SIDES – OUTRIGGERS RETRACTED	1.52m	5'-0"
B OVER SIDES – OUTRIGGERS EXTENDED	2.76m	9'-0"
C OVER CORNERS – OUTRIGGERS RETRACTED	3.58m	11'-9"
D OVER CORNERS – OUTRIGGERS EXTENDED	4.24m	13'-11"
E OVER ENDS	3.20m	10'-6"

Figure 1

LIFTING CAPACITIES IN KILOGRAMMES

Radius In Metres	9.0 m Jib		12.0 m Jib		15.0 m Jib		18.3 m Jib	
	On outriggers	Free	On outriggers	Free	On outriggers	Free	On outriggers	Free
3.50	36500	15935						
4.50	30950	12175	30695	12020	30435	11970	29920	11865
6.00	23755	8160	23500	8055	23240	7950	22725	7850
7.50	19095	6040	19090	5935	18840	5830	18580	5780
9.00	15475	4745	15370	4590	15220	4540	14750	4435
12.00			8935	3045	8880	2995	8780	2890
15.00					6330	2110	6280	2000
18.00							4800	1445
21.00								
24.00								
27.00								
30.00								
33.00								

Load Instrumentation Ltd.
Finchampstead England RG40 4QQ
Telephone 0118 9328855
Fax 0118 9328920

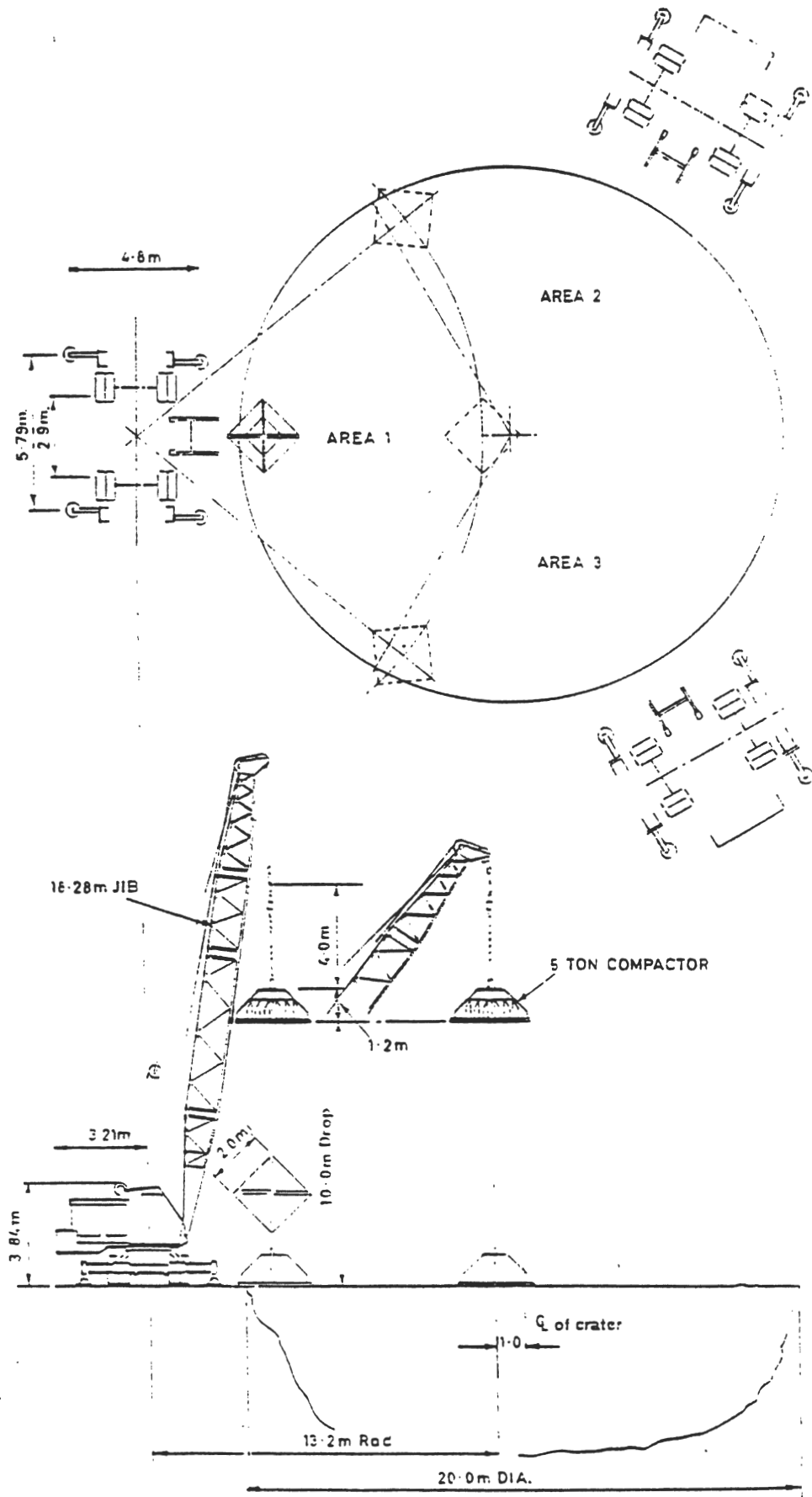
COLES 335M

Duties

<u>Mainboom</u>	<u>On Outriggers</u>	<u>Free on Wheels</u>
9.0m	01	02
12.0m	03	04
15.0m	05	06
18.0m	07	08

cs = E537

WORKING RADIUS



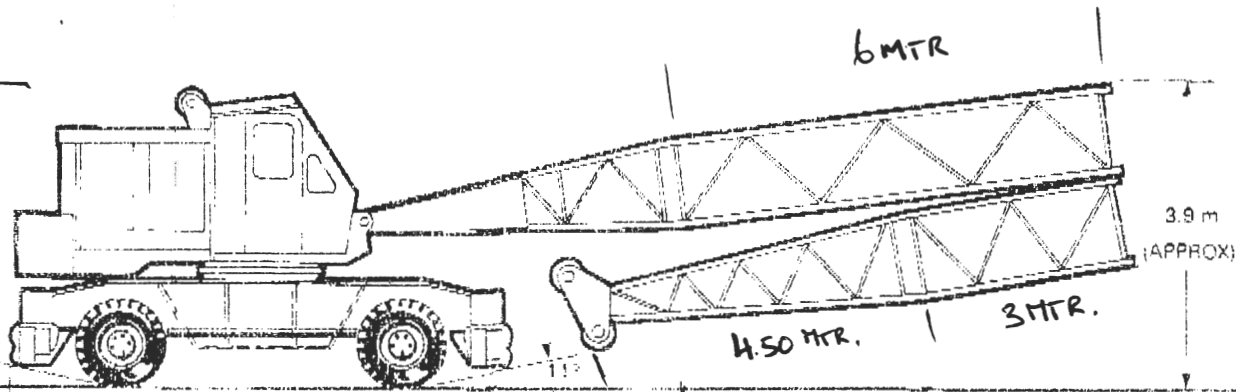
M.7566
1/2

May 84 (Amdt 4)

The operating parameters to compact a 20 metre diameter crater is shown in figure 1.

The nominal maximum working radius with the 5 tonne compacting weight suspended when operating on outriggers is 13.2 metres, with the maximum radius cut-out set at 13.5 metres. The minimum working radius cut-out is set to 7.0 metres.

BOOM STOWAGE

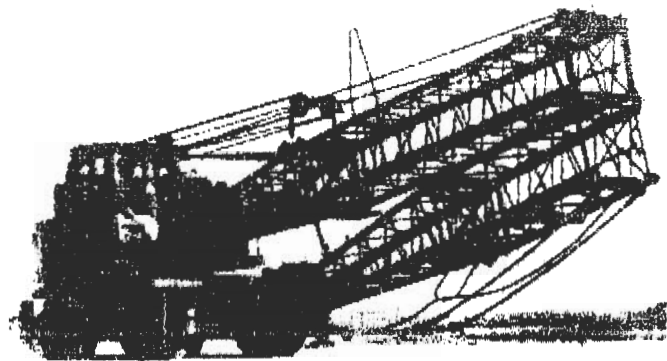
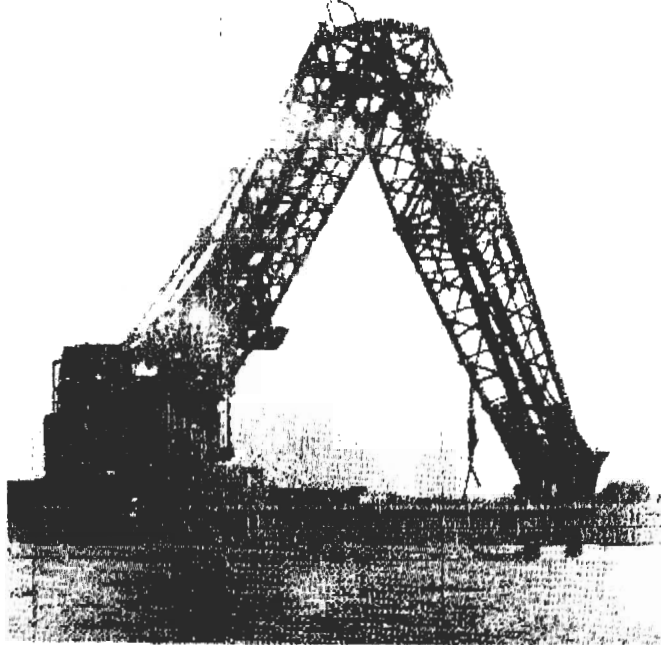


8.85 MTR.

WIDE = 3.05 MTR

WEIGHT 32 TON APPROX.

1 No Boom $6.00 \times 1.00 \times 1.00 = 500 \text{ Kilo}$
 1 No Boom $3.00 \times 1.00 \times 1.00 = 300 \text{ Kilo}$
 1 No Boom $4.50 \times 1.00 \times 1.00 = 450 \text{ Kilo}$
 MACHINE 30.000 Kilo



COLES CRANES LIMITED
 SALES AND MARKETING HEADQUARTERS
 HAREFIELD, UXBIDGE, MIDDLESEX, ENGLAND UB8 3QG
 Telephone: HAREFIELD 3777 (STD Code 089 582)
 Cables: COLES UXBIDGE Telex 21619
 Registered Offices at Sunderland

© Coles Cranes Limited 1982 Reproduction Interdit
 Note: Pictures in this specification may depict
 machines with certain optional items fitted

A division of
ACROW

Printed in England

In accordance with our established policy of constant improvement, we reserve the right to amend this specification at any time without notice.

Technical Specification 3904/6/82P