

MAIN BOOM LOAD RATINGS WITH FULLY EXTENDED OUTRIGGERS

MAIN BOOM LOAD RATINGS

LOAD RATINGS IN lbs WITH OUTRIGGERS AND STABILIZERS EXTENDED

LOAD RADIUS IN FEET	LOADED BOOM ANGLE	33-ft	LOADED BOOM ANGLE	A 46-ft	LOADED BOOM ANGLE	B 57-ft	LOADED BOOM ANGLE	C 69-ft	LOADED BOOM ANGLE	D 81-ft	LOADED BOOM ANGLE	E 93-ft	LOADED BOOM ANGLE	F 105-ft
9	72.6	80,000												
10	70.4	64,500	76.5	46,600										
12	66.4	58,100	73.9	46,600	77.9	46,600								
15	60.2	50,800	70.0	46,600	74.9	44,600	78.4	41,700						
20	48.5	39,700	62.7	38,900	69.3	36,500	74.0	34,900	77.2	30,700				
25	33.5	30,000	54.8	31,000	63.5	31,100	69.5	29,500	73.4	26,100	76.4	23,500	78.4	19,000
30			45.7	24,600	57.1	23,600	64.6	24,000	69.5	22,600	73.1	20,400	75.9	18,700
35			34.7	17,900	50.1	17,900	59.3	18,350	65.3	18,000	69.7	17,800	72.9	16,300
40			17.8	14,200	42.4	14,200	53.8	14,700	60.9	15,000	66.1	15,400	69.9	14,500
45					33.2	11,500	47.9	12,000	56.4	12,300	62.2	12,600	66.7	12,650
50					21.7	9,400	42.0	9,700	52.0	9,900	58.7	10,150	63.2	10,200
55							34.5	7,950	46.8	8,150	54.6	8,350	60.1	8,400
60							24.9	6,500	41.2	6,750	50.2	6,900	56.5	6,900
65									34.8	5,600	45.6	5,750	52.8	5,700
70									26.9	4,600	40.6	4,750	48.9	4,750
75									15.2	3,800	35.0	3,950	44.8	3,900
80											28.4	3,250	40.3	3,200
85											19.5	2,700	35.3	2,600
90													29.7	2,100
95													22.5	1,650
100													10.7	1,200
	0	18,500	0	11,500	0	7,500	0	4,900	0	3,200	0	2,000	0	1,000



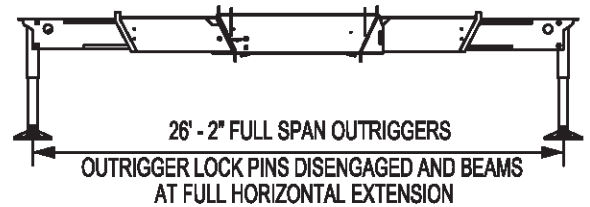
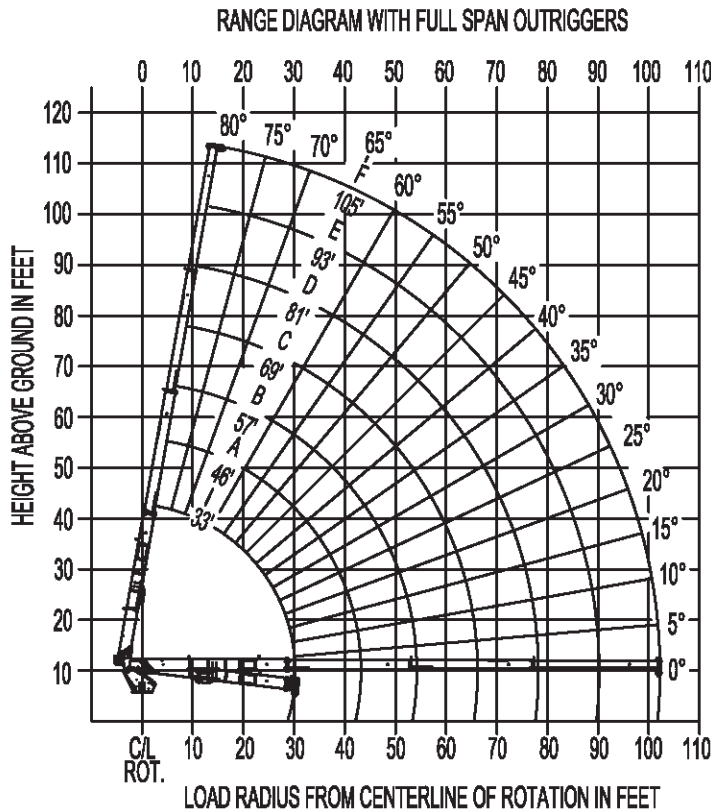
OUTRIGGER LOCK PINS DISENGAGED AND BEAMS AT FULL HORIZONTAL EXTENSION

- ELLIOTT EQUIPMENT CO. SUPPLIED
LOADLINE EQUIPMENT DEDUCTIONS:
- DOWNHAUL WEIGHT225 lbs
 - ONE SHEAVE BLOCK.....424 lbs
 - TWO SHEAVE BLOCK.....592 lbs
 - THREE SHEAVE BLOCK.....639 lbs
 - FOUR SHEAVE BLOCK.....762 lbs
 - AUXILIARY SHEAVE.....100 lbs

DEDUCTIONS FOR STOWED JIB (lbs)

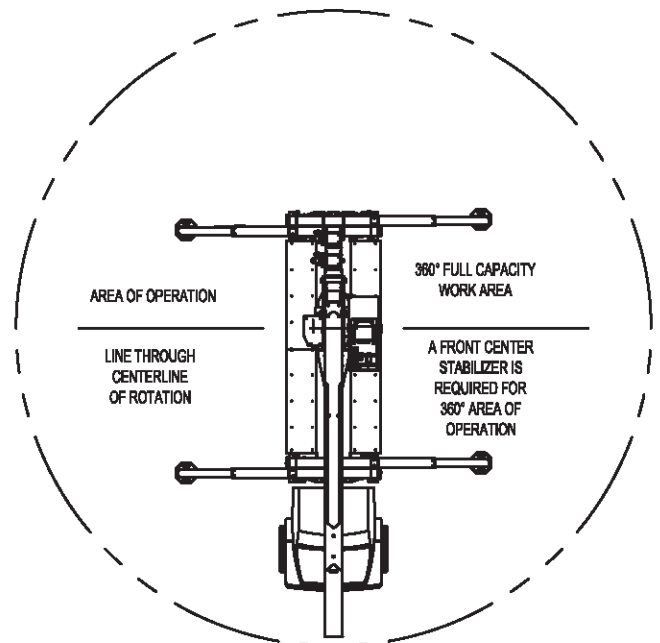
1,000	750	600	500	400	350	300
-------	-----	-----	-----	-----	-----	-----

DEDUCTIONS FOR STOWED EXTENDABLE JIB (lbs)



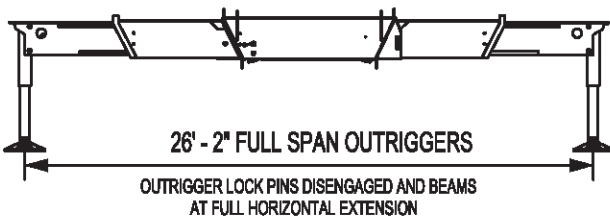
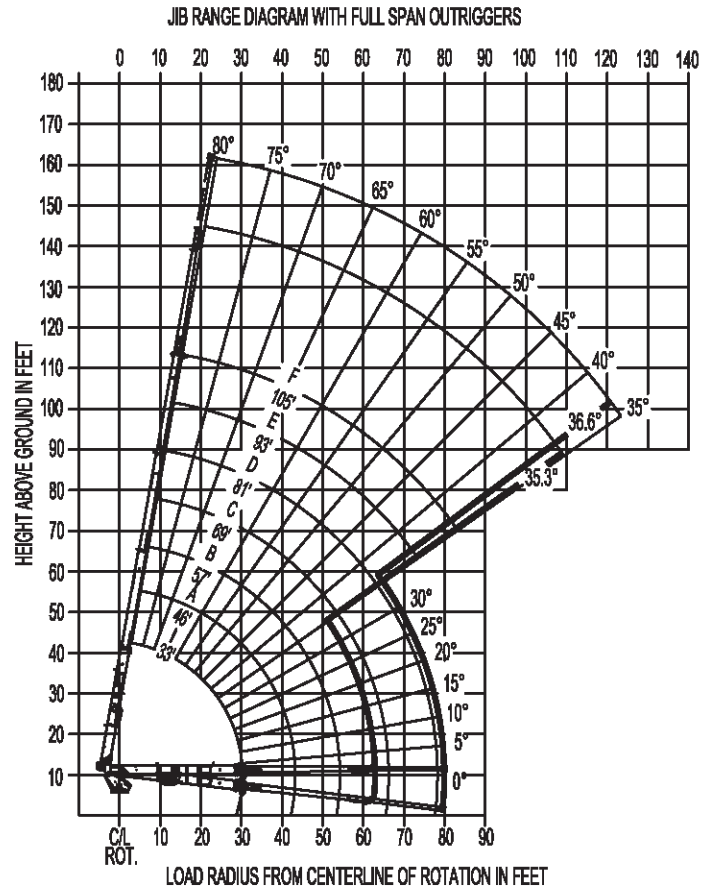
NOTE:

1. Operate jib by radius when main boom is fully extended. Increase boom angle if necessary to maintain load radius.
2. When boom is retracted, operate jib by boom angles. Do not exceed any rated jib capacities at reduced boom lengths.
3. Capacities do not exceed 85% stability.
4. Load ratings above bold line are structurally limited.
5. Personnel handling is allowed only with full span outriggers.
6. Boom load ratings are based on loaded boom radius. Loaded boom angles are given as reference only.

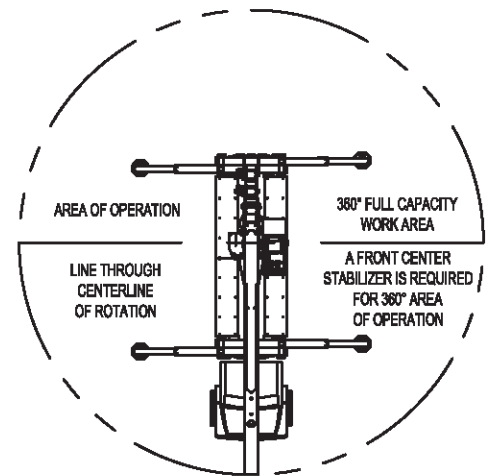


JIB LOAD RATINGS WITH FULLY EXTENDED OUTRIGGERS

32-49 ft. EXTENDABLE JIB				
LOAD RADIUS IN FEET	LOADED BOOM ANGLE	32-ft JIB 360°	LOADED BOOM ANGLE	49-ft JIB 360°
35	77.4	6,050		
40	75.2	5,500	77.6	5,100
45	73.0	5,150	75.8	4,800
50	70.8	4,850	73.9	4,500
55	68.5	4,550	72.1	4,250
60	66.2	4,300	70.1	4,000
65	63.8	4,000	68.1	3,750
70	61.3	3,700	66.0	3,450
75	58.7	3,400	63.8	3,200
80	56.1	3,250	61.7	3,000
85	53.2	2,900	59.4	2,750
90	50.2	2,600	57.0	2,500
95	46.8	2,050	54.5	2,250
100	43.2	1,550	52.0	2,000
105	39.4	1,100	49.3	1,750
110	35.3	700	46.4	1,500
115			43.4	1,250
120			40.2	950
125			36.6	600

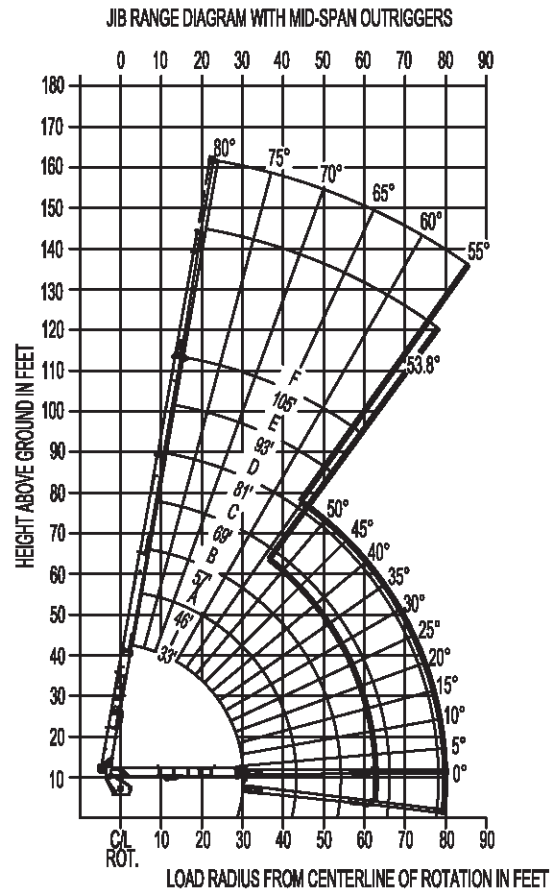
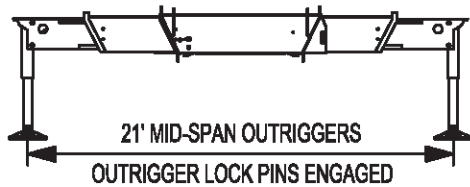


- NOTE:
1. Operate jib by radius when main boom is fully extended. Increase boom angle if necessary to maintain load radius.
 2. When boom is retracted, operate jib by boom angles. Do not exceed any rated jib capacities at reduced boom lengths.
 3. Capacities do not exceed 85% stability.
 4. Load ratings above bold line are structurally limited.
 5. Personnel handling is allowed only with full span outriggers.
 6. Boom load ratings are based on loaded boom radius. Loaded boom angles are given as reference only.

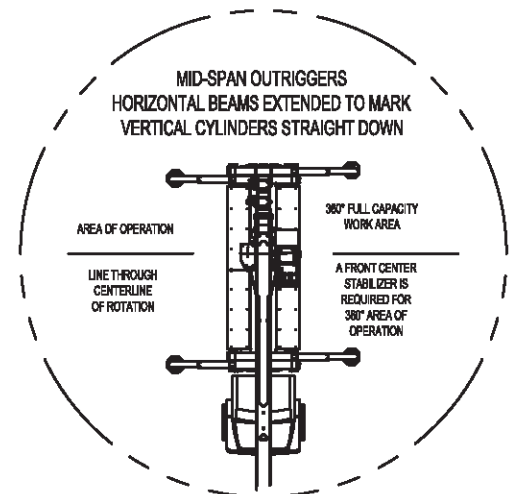


JIB LOAD RATINGS WITH MID-SPAN OUTRIGGERS

32-49 ft EXTENDABLE JIB				
LOAD RADIUS IN FEET	LOADED BOOM ANGLE	32-ft JIB 360°	LOADED BOOM ANGLE	49-ft JIB 360°
35	77.4	6,050		
40	75.2	5,500	77.6	5,100
45	73.0	5,150	75.8	4,800
50	70.8	4,850	73.9	4,500
55	68.5	4,550	72.1	4,250
60	65.7	3,600	70.1	4,000
65	62.7	2,700	67.9	3,500
70	59.8	1,900	65.3	2,700
75	56.8	1,200	62.7	2,050
80	53.8	650	60.2	1,450
85			57.6	950
90			55.0	500



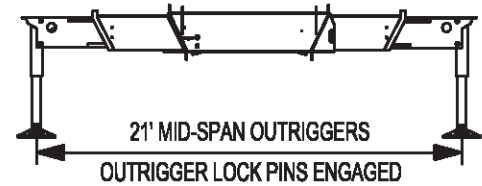
- NOTE:
1. Operate jib by radius when main boom is fully extended. Increase boom angle if necessary to maintain load radius.
 2. When boom is retracted, operate jib by boom angles. Do not exceed any rated jib capacities at reduced boom lengths.
 3. Capacities do not exceed stability based on ISO 4305-1991.
 4. Load ratings above bold line are structurally limited.
 5. Personnel handling is allowed only with full span outriggers.
 6. Boom load ratings are based on loaded boom radius. Loaded boom angles are given as reference only.



MAIN BOOM LOAD RATINGS WITH MIDSPAN OUTRIGGERS

LOAD RATINGS IN lbs WITH OUTRIGGERS AND STABILIZERS EXTENDED

LOAD RADIUS IN FEET	LOADED BOOM ANGLE	33-ft	LOADED BOOM ANGLE	A 46-ft	LOADED BOOM ANGLE	B 57-ft	LOADED BOOM ANGLE	C 69-ft	LOADED BOOM ANGLE	D 81-ft	LOADED BOOM ANGLE	E 93-ft	LOADED BOOM ANGLE	F 105-ft
9	72.6	80,000												
10	70.4	64,500	76.5	46,600										
12	66.4	58,100	73.9	46,600	77.9	46,600								
15	60.2	50,800	69.9	46,600	74.8	44,600	78.4	41,700						
20	48.2	29,600	62.5	33,300	69.2	34,000	74.0	34,900	77.2	30,700				
25	33.2	17,400	54.2	19,300	62.9	20,100	68.7	20,800	72.9	21,300	76.2	21,900	78.4	19,000
30			45.1	12,500	56.3	13,100	63.6	13,700	68.5	14,100	72.2	14,600	75.2	15,000
35			35.3	8,450	50.1	9,000	58.9	9,450	64.6	9,900	68.4	10,300	71.7	10,500
40			19.5	5,700	42.5	6,300	53.4	6,700	60.2	7,100	65.0	7,350	68.7	7,600
45					33.4	4,350	47.6	4,750	55.7	5,100	61.3	5,400	65.4	5,600
50					20.8	3,000	41.1	3,300	50.9	3,600	57.3	3,850	62.1	4,000
55							33.6	2,150	45.8	2,500	53.3	2,700	58.7	2,900
60							23.9	1,250	40.2	1,550	49.0	1,750	55.1	1,900
65									33.8	800	44.5	1,000	51.5	1,100
0		9,300	0	4,200	0	1,900								
DEDUCTIONS FOR STOWED JIB (lbs)		1,000		750		600		500		400		350		300

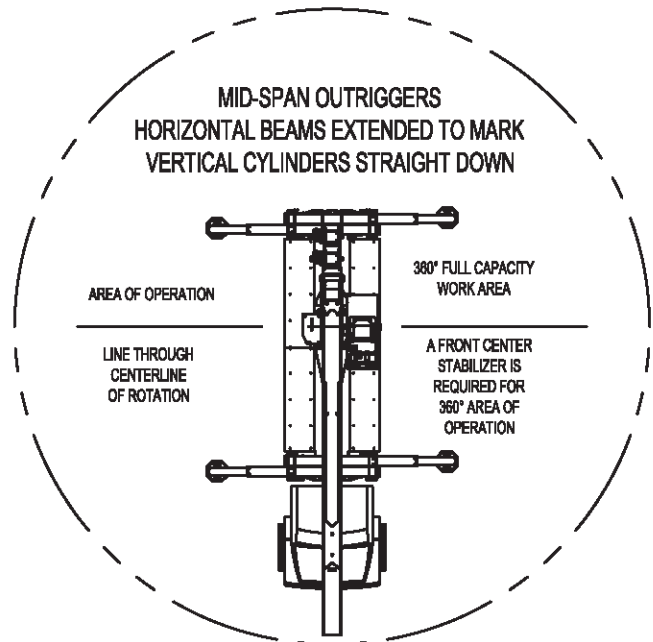


ELLIOTT EQUIPMENT CO. SUPPLIED
LOADLINE EQUIPMENT DEDUCTIONS:
DOWNHAUL WEIGHT225 lbs
ONE SHEAVE BLOCK.....424 lbs
TWO SHEAVE BLOCK.....592 lbs
THREE SHEAVE BLOCK.....639 lbs
FOUR SHEAVE BLOCK.....762 lbs
AUXILIARY SHEAVE.....100 lbs

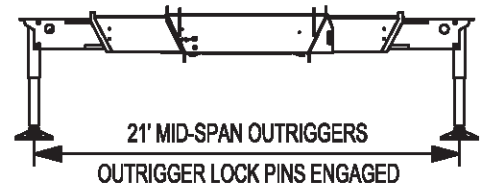
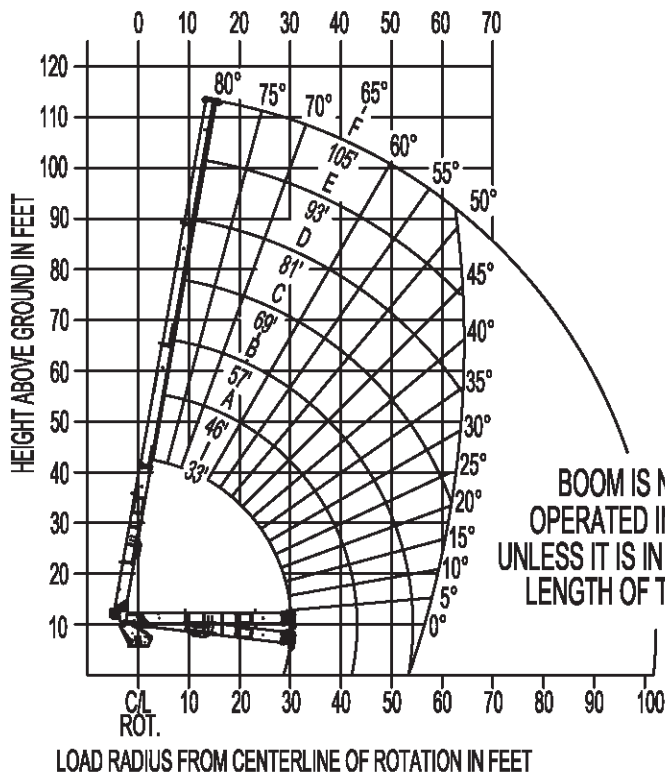
DEDUCTIONS FOR STOWED EXTENDABLE JIB (lbs)

NOTE:

- Operate jib by radius when main boom is fully extended. Increase boom angle if necessary to maintain load radius.
- When boom is retracted, operate jib by boom angles. Do not exceed any rated jib capacities at reduced boom lengths.
- Load ratings above bold line are structurally limited.
- Personnel handling is allowed only with full span outriggers.
- Boom load ratings are based on loaded boom radius. Loaded boom angles are given as reference only.

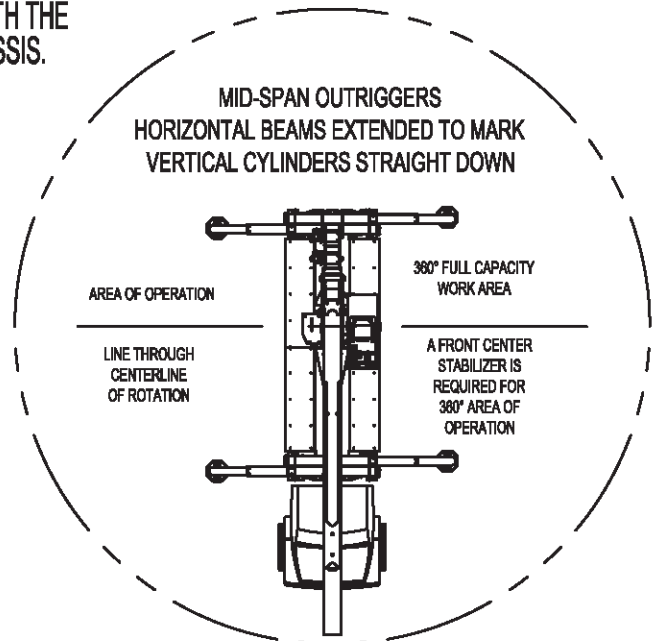


RANGE DIAGRAM WITH OUTRIGGERS IN MID-SPAN POSITION

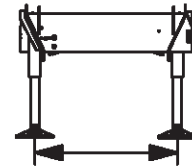
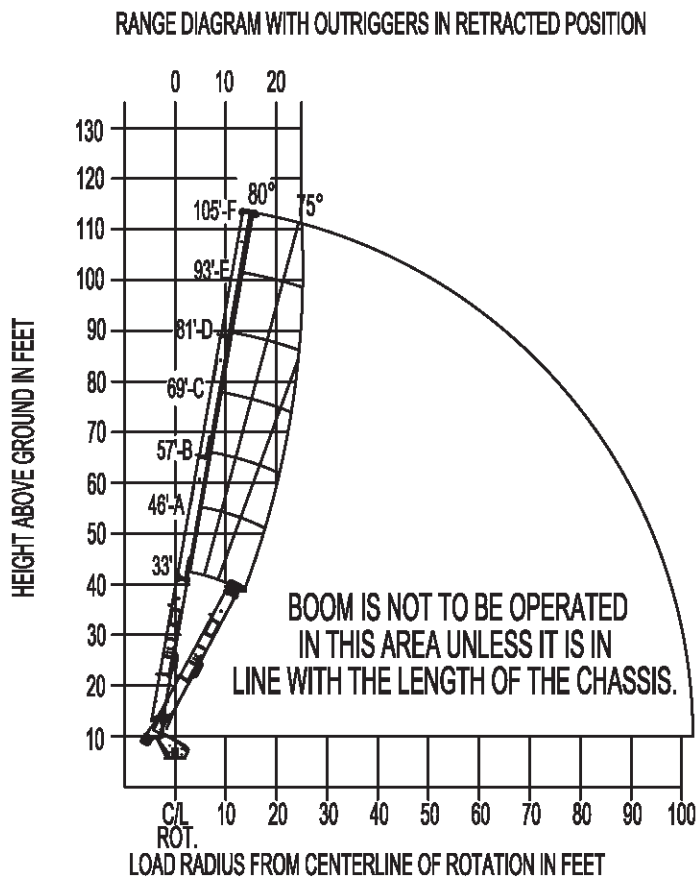


NOTE:

1. Operate jib by radius when main boom is fully extended. Increase boom angle if necessary to maintain load radius.
2. When boom is retracted, operate jib by boom angles. Do not exceed any rated jib capacities at reduced boom lengths.
3. Capacities do not exceed stability based on ISO 4305-1991.
4. Load ratings above bold line are structurally limited.
5. Personnel handling is allowed only with full span outriggers.
6. Boom load ratings are based on loaded boom radius. Loaded boom angles are given as reference only.



MAIN BOOM LOAD RATINGS WITH OUTRIGGERS AT RETRACTED POSITION



7 RETRACTED OUTRIGGERS
OUTRIGGER LOCK PINS DISENGAGED AND BEAMS
AT FULL HORIZONTAL RETRACT

- ELLIOTT EQUIPMENT CO. SUPPLIED
LOADLINE EQUIPMENT DEDUCTIONS:
- DOWNHAUL WEIGHT225 lbs
 - ONE SHEAVE BLOCK.....424 lbs
 - TWO SHEAVE BLOCK.....592 lbs
 - THREE SHEAVE BLOCK.....639 lbs
 - FOUR SHEAVE BLOCK.....762 lbs
 - AUXILIARY SHEAVE.....100 lbs

MAIN BOOM LOAD RATINGS WITH NO SPAN OUTRIGGERS

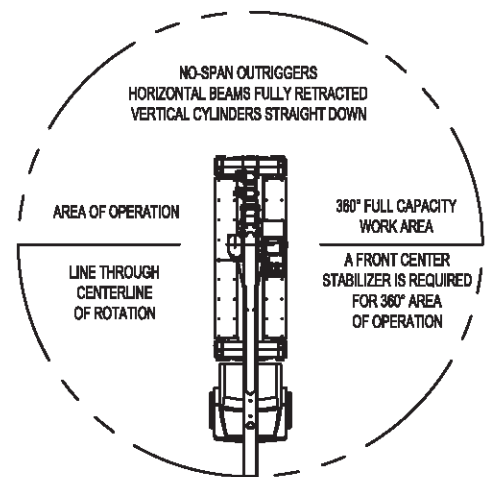
LOAD RATINGS IN lbs WITH OUTRIGGERS RETRACTED AND STABILIZERS EXTENDED

LOAD RADIUS IN FEET	LOADED BOOM ANGLE	33-ft	A 46-ft	LOADED BOOM ANGLE	B 57-ft	LOADED BOOM ANGLE	C 69-ft	LOADED BOOM ANGLE	D 81-ft	LOADED BOOM ANGLE	E 93-ft	LOADED BOOM ANGLE	F 105-ft	
9	71.4	18,100												
10	69.4	14,100	75.6	15,600										
12	66.4	9,000	72.7	10,200	76.5	10,750								
15	60.3	4,900	69.2	5,950	73.6	6,350	76.8	6,700						
20			61.9	2,050	67.9	2,400	72.2	2,600	75.1	2,850				
25									71.2	700	73.9	850	76.0	1,000

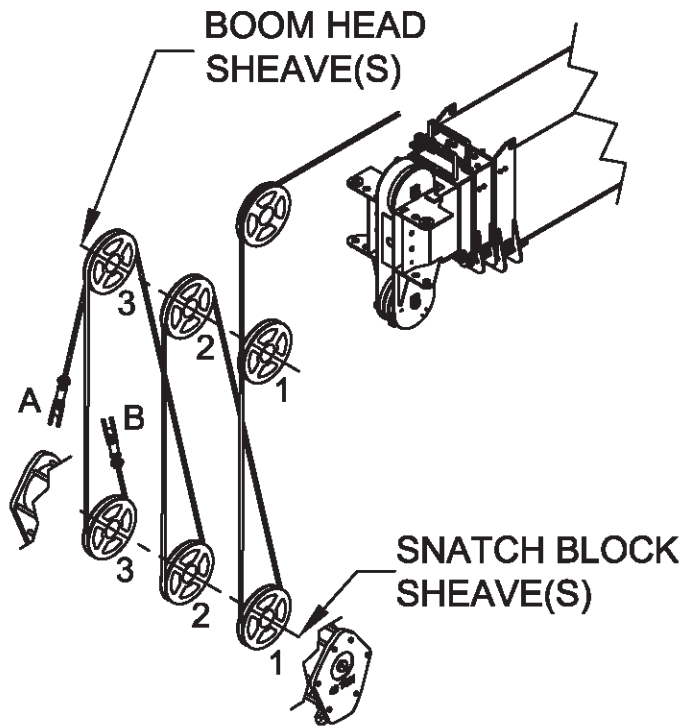
DEDUCTIONS FOR STOWED JIB (lbs)

1,000	750	600	500	400	350	300
-------	-----	-----	-----	-----	-----	-----

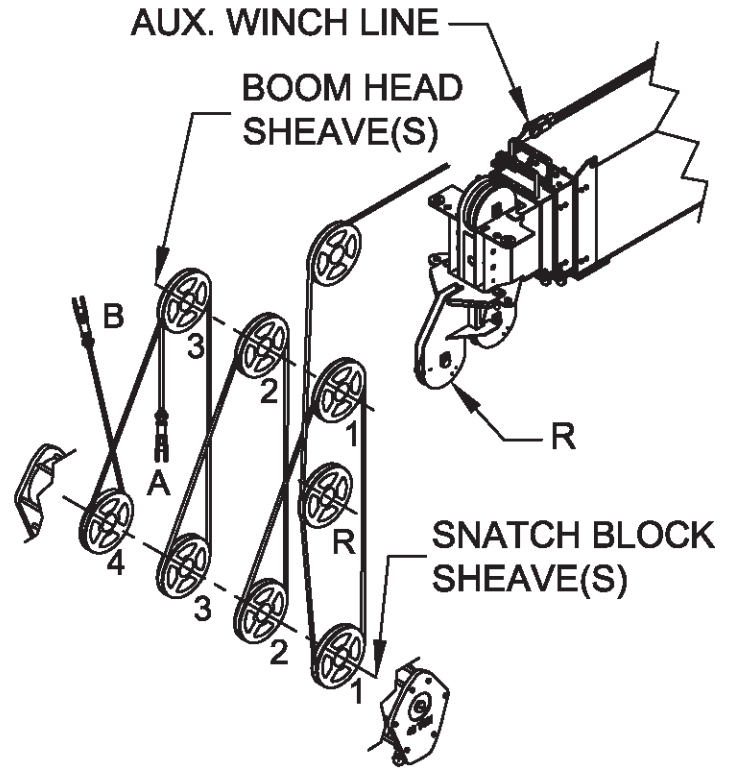
DEDUCTIONS FOR STOWED EXTENDABLE JIB (lbs)



PARTS OF LINE



1-6 PARTS OF LINE



7-8 PARTS OF LINE

NOTICE:

- DO NOT DEADHEAD LINE BLOCK AGAINST BOOM TIP WHEN EXTENDING BOOM.
- KEEP AT LEAST 5 WRAPS OF LOADLINE ON THE WINCH DRUM AT ALL TIMES.
- USE ONLY 5/8" DIAMETER WIRE ROPE, AS SPECIFIED, WITH THE PROPER BREAKING STRENGTH LISTED.
- ANTI-TWO-BLOCK SYSTEM MUST BE IN GOOD OPERATING CONDITION BEFORE OPERATING CRANE. SEE OPERATION & SAFETY MANUAL.

PARTS OF LINE	SHEAVE(S) ON BOOM HEAD	SHEAVE(S) ON SNATCH BLOCK	5/8" - SPIN RESISTANT (5:1 S.F.) 50,000-lbs. BREAKING STRENGTH
1	1	A	10,000 lbs
2	1B	1	20,000 lbs
3	12	1A	30,000 lbs
4	12B	12	40,000 lbs
5	123	12A	50,000 lbs
6	123B	123	60,000 lbs
7	R123	123A	70,000 lbs
8	R123B	1234	80,000 lbs

A-DEAD END FOR ODD PARTS OF LINE
 B-DEAD END FOR EVEN PARTS OF LINE
 R-ROOSTER SHEAVE REQUIRED WHEN USING 7 AND 8 PARTS OF LINE