

KOBELCO

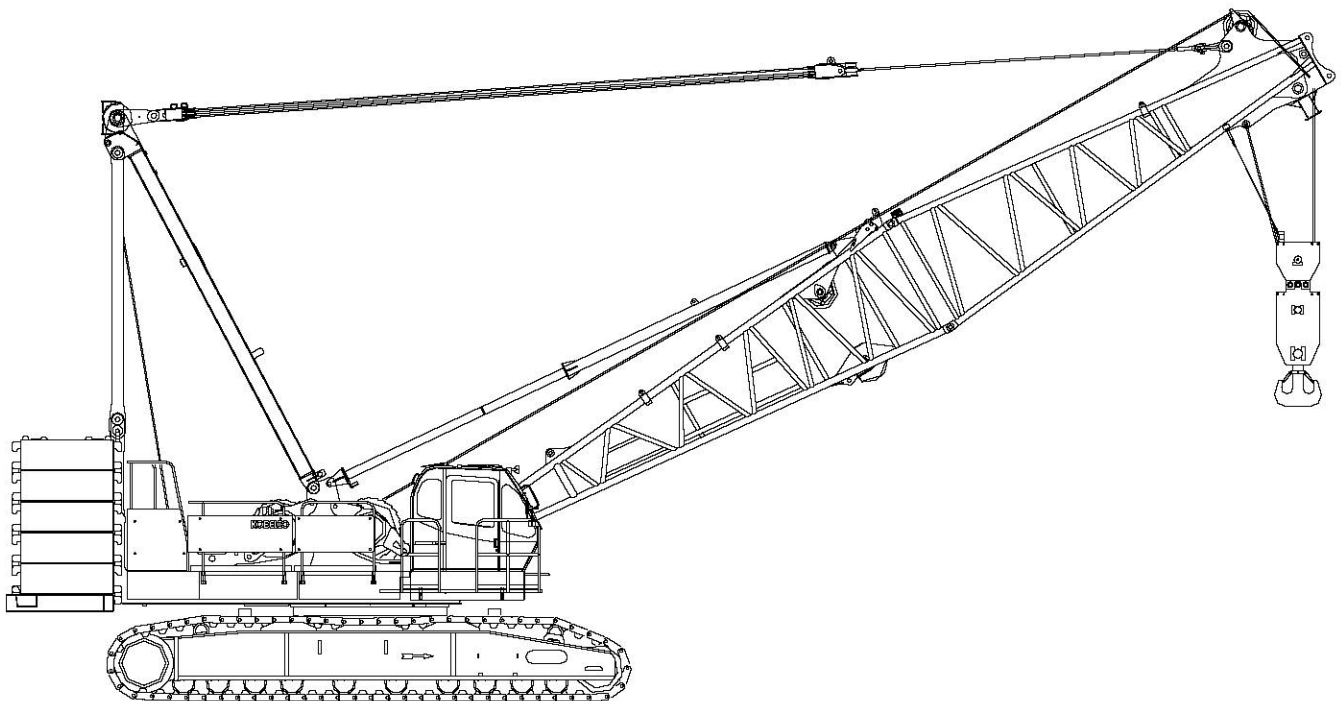
HYDRAULIC CRAWLER CRANE

CK2000-II

Max. Lifting Capacity: 400,000 lbs.

Max. Boom Length: 280 ft

Max. Boom + Jib Length: 240 ft + 100 ft



SPECIFICATIONS FOR CK2000-II CRAWLER CRANE

The Kobelco CK2000-II Crawler Crane is designed from the ground up for reliable operation, convenient maintenance and easy transport. Please consult your Kobelco distributor for additional information regarding specifications, operating parameters and maintenance requirements.

1. GENERAL DESCRIPTION

Type	Crawler mounted, fully revolving
Maximum lifting capacity	
Heavy boom (Optional)	400,000 lbs (181,400 kg) at 12.3' (3.75 m) operating radius, with 40' Heavy boom
Standard boom	352,800 lbs (160,000 kg) at 14.3 ft (4.36 m) operating radius with 50' Standard boom
Basic boom length	
Heavy boom (Optional)	40' (12.2 m)
Standard boom	50' (15.2 m)
Maximum boom length	
Heavy boom (Optional)	40' (12.2 m) Length of the heavy boom is 40' only.
Standard boom	280' (85.34 m)
Maximum boom & jib length	240' + 100' (73.15 m + 30.48 m)
Working weights	Approx. 362,200 lbs (164,300 kg)
Ground pressure	Approx. 13.24 psi (91.2 kPa)
Gradeability	30%

Calculations to determine working weight, ground pressure and gradeability include the weight of the upper and lower works of the crane, counterweights, carbody weights, 50' standard boom and the hook blocks.

2. GENERAL DIMENSIONS

Height to top of gantry (lowered)	12' 6-1/2" (3.82 m)
Width of upper machine with operator's cab	11' 5-7/8" (3.50 m)
Radius of rear end (counterweight)	19' 6-1/4" (5.95 m)
Counterweight ground clearance	4' 7-7/8" (1.42 m)
Center of rotation to boom foot pin	4' 7-1/8" (1.40 m)
Height from ground to boom foot pin	8' 3-3/8" (2.53 m)
Height over gantry (raised)	31' 4-5/8" (9.57 m)
Overall length of crawler	27' 5-1/8" (8.36 m)
Center to center of tumblers	23' 9-13/16" (7.26 m)
Overall width of crawlers	22' 4-1/2" (6.82 m)
Shoe width	48" (1.22 m)
Ground clearance of carbody	1' 4-7/8" (0.43 m)

3. WORKING SPEED

Hoist line speed (front and rear drum)	330 ft/min (100 m/min)
Lowering line speed (front and rear drum)	330 ft/min (100 m/min)
Boom hoist line speed	178 ft/min (54 m/min)
Boom lowering line speed	178 ft/min (54 m/min)
Swing speed	2.6 rpm (2.6 min ⁻¹)
Travel speed (High / Low)	0.68 / 0.41 mph (1.1 / 0.66 km/hour)

Line speeds based on single line, no load and first layer of rope on the drum.

4. UPPER MACHINERY

4.1 Power plant

Diesel engine, make and model	Hino P11C-UN (Comply with EPA "Tier 3")
No. of cylinders	6
Bore X stroke	4-13/32" X 5-29/32" (122 mm X 150 mm)
Cycles	4
Total displacement	642 cu.in (10,520 cm ³)
Rated output SAE GROSS	331 HP / 2,000 rpm (247 kW / 2,000 min ⁻¹)
Maximum torque	959 lbs-ft / 1,500 rpm (1,300 Nm / 1,500 min ⁻¹)
Starter	24 Volts / 6.0 kW
Alternator	24 Volts / 50 Amp
Batteries	Two 12 volt, 136 AH capacity series connected.
Radiator	Corrugated type core, thermostatically controlled.
Throttle	Twist grip type hand throttle, electrically controlled.
Air cleaner	Dry type with replaceable paper element.
Fuel tank capacity	106 US gal. (400 liters)
Lube oil filter	Full flow and by-pass type with spin off type cartridge.
Fuel filter	Heavy duty with spin off type cartridge.
Approximate fuel consumption	0.362 lb / HP-hr (220 g / kW-hr) 17.3 US gal. / hr at 100 % HP

4.2 Hydraulic pumps

All driven from heavy duty pump drive.

Load hoist and propel	2 Piston pumps
Boom hoist	1 Piston pump
Swing	1 Piston pump
Control system and auxiliary	2 Gear pumps
Break cooling system	2 Gear pumps

4.3 Counterweight

Upper counterweight	132,280 lbs(60,000 kg)
Carbody counterweight	44,100 lbs (20,000 kg)

4.4 Gantry

This high folding type gantry is fitted with a sheave frame for boom hoist reeving. Hydraulic lift is standard. It provides full up, full down positions with linkage.

4.5 Operator's cab

Totally enclosed from weather, this full-vision cab has safety glass all around. The adjustable, high-backed seat with armrest is standard, allowing operators to customize the position. Auxiliary controls and instruments are on a side mounted console. A signal horn, windshield wipers, air conditioner are all standard features.

4.6 Controls

At operator's right are console-mounted adjustable short levers for the front and rear drum and the boom hoist control. Beside the operator's seat on the right are two short levers for propel control, individual speed shifts for front drum, rear drum and boom drum. At the operator's left are the console mounted swing lever, knobs for front and rear drum, boom drum pawls, engine start / stop key. A swing brake control switch and signal horn button are on the swing lever.

4.7 Electric system

All wiring corded for easy serving, individual fused branch circuit.

4.8 Hydraulic system

Maximum pressure rating	4,620 psi (32.0 MPa)
Cooling	Oil to air heat exchanger
Filtration	Full flow filters with replaceable paper elements

4.9 Boom hoist

Powered by hydraulic motor through planetary reducer.

Drum	Double drum. Grooved for 7/8" (22.2 mm) dia. wire rope.
-------------	--

Brake

A spring set, hydraulically-released, multiple-disc holding brake is mounted inside the boom hoist

motor and is operated through a counter-balance valve. An external ratchet is fitted for locking the drum.

4.10 Front drum

Powered by hydraulic motor through planetary reducer.

Drum

24-5/16" (617.4 mm) P.C.D. X 32' 13/16"
(833.7 mm) Lg., Grooved for 1" (25.4 mm)
dia. wire rope.

Brake

A spring set, hydraulically-released, multiple-disc holding brake is mounted inside the hoist motor and is operated through a counter-balance valve. An external ratchet is fitted for locking the drum.

4.11 Rear drum

Powered by hydraulic motor through planetary reducer.

Drum

24-5/16" (617.4 mm) P.C.D. X 32' 13/16"
(833.7 mm) Lg., Grooved for 1" (25.4 mm)
dia. wire rope.

Brake

A spring set, hydraulically-released, multiple-disc holding brake is mounted inside the hoist motor and is operated through a counter-balance valve. An external ratchet is fitted for locking the drum.

4.12 Swing

Swing Unit Hydraulic motor driving through planetary reducer (2 sets) to output swing pinion for 360° rotation.

Swing Brake Spring set hydraulically released multiple disk brake mounted on swing motor.

Swing Circle Single row ball bearing with internal, integral swing gear.

Swing Lock 4 position lock for transportation.

5. LOWER MACHINERY

5.1 Carbody

The durable carbody features steel welded construction with axles.

5.2 Crawler

Crawler assemblies are designed with quick disconnect feature for individual removal as a unit from axles. Crawler belt tension maintained by hydraulic jack force on track adjusting bearing block.

5.3 Crawler drive

The independent hydraulic propel drive is built into each crawler side frame. Each drive consists of a hydraulic motor driving a propel sprocket through a planetary gear box. The hydraulic motor and gearbox are built into the crawler side frame within the shoe width.

5.4 Crawler brakes

Spring set, hydraulically released, multiple disk-type parking brakes are built into each propel drive.

5.5 Steering mechanism

The hydraulic propel system provides both skid steering (driving one track only) and counter-rotating steering (driving each track in opposite direction).

5.6 Crawler shoes

64 shoes, 48" (1,220 mm) wide each crawler.

5.7 Track rollers

The track rollers are sealed for maintenance-free operation.

6. CRANE ATTACHMENTS

6.1 Standard Crane boom

Tubular high tensile steel chords all welded, lattice construction, pin connected.

Extendible up to 280' (85.34 m)

Basic boom length	50' (15.24 m)
Boom base section	28' (8.53 m)
Boom tip section	22' (6.71 m)

6.2 Boom insert (Optional)

Boom insert available for extension, tubular high tensile steel chords all welded, lattice construction, pin connected, each one of 10' (3.05 m), 20' (6.10 m), 30' (9.14 m), 40' (12.19 m) length.

6.3 Heavy boom (Optional)

Tubular high tensile steel chords all welded, panel construction, pin connected.

Length of heavy boom is 40' only

Basic boom length	40' (12.19 m)
Boom base section	28' (8.53 m)
Boom tip section (Heavy)	12' (3.66 m)

6.4 Fixed Jib (Optional)

Tubular high tensile steel chords all welded, lattice construction, pin connected.

Extendible up to 100' (30.48 m)

Basic jib length	40' (12.19 m)
Jib base section	15' (4.6 m)
Jib tip section	15' (4.6 m)
Jib insert	10' (3.1 m), 20' (6.1 m)

Jib inserts are available to provide extension capabilities. They also have welded lattice construction with tubular, high-tension steel chords and pin connections. Jib is extendible on booms of 80' (24.38 m) through 240' (73.15 m).

Jib only fits on the standard boom and does not fit on boom exceeding length of 240'.

6.5 Auxiliary sheave (Optional)

(two parts of 1" wire rope)

Auxiliary sheave fits the standard boom only and should not be used on any boom exceeding 270' in length.

6.6 Diameter of wire rope

Hoist rope	1" (25.4 mm)
Boom hoist rope	7/8" (22.2 mm)
Boom suspension rope	1-3/16" (30.0 mm)
Jib suspension rope	1" (26.0 mm)

6.7 Boom hoist reeving

Sixteen (16) parts of 7/8" (22.2 mm) dia. high strength wire rope.

6.8 Boom backstops

Telescopic type with spring bumper.

7. AUXILIARY EQUIPMENT

7.1 Lights

Two (2) Front flood lights
One (1) Cab inside light

7.2 Gauges and warning display

Gauges

One (1) Tachometer
One (1) Hour meter
One (1) Fuel gauge
One (1) Water temperature gauge for engine

Warning display

Battery charge
Engine oil pressure
Air cleaner
Engine oil filter
Control main pressure
Hydraulic oil temperature

7.3 Others

Air conditioner
Drum turn indicator (front and rear drum)
Foot acceleration pedal
Electric fuel pump
Counterweight self-removal device

8. SAFETY SERVICE

- Over load protective device (Moment limiter)
- Function lock lever
- Boom over hoist limit switch
- Signal horn
- Front and rear hoist drum lock
- Swing alarm (Buzzer and lamps)
- Hook over hoist shut off (Anti-two-block)
- Boom angle indicator
- Boom hoist drum lock
- Swing lock
- Boom backstops

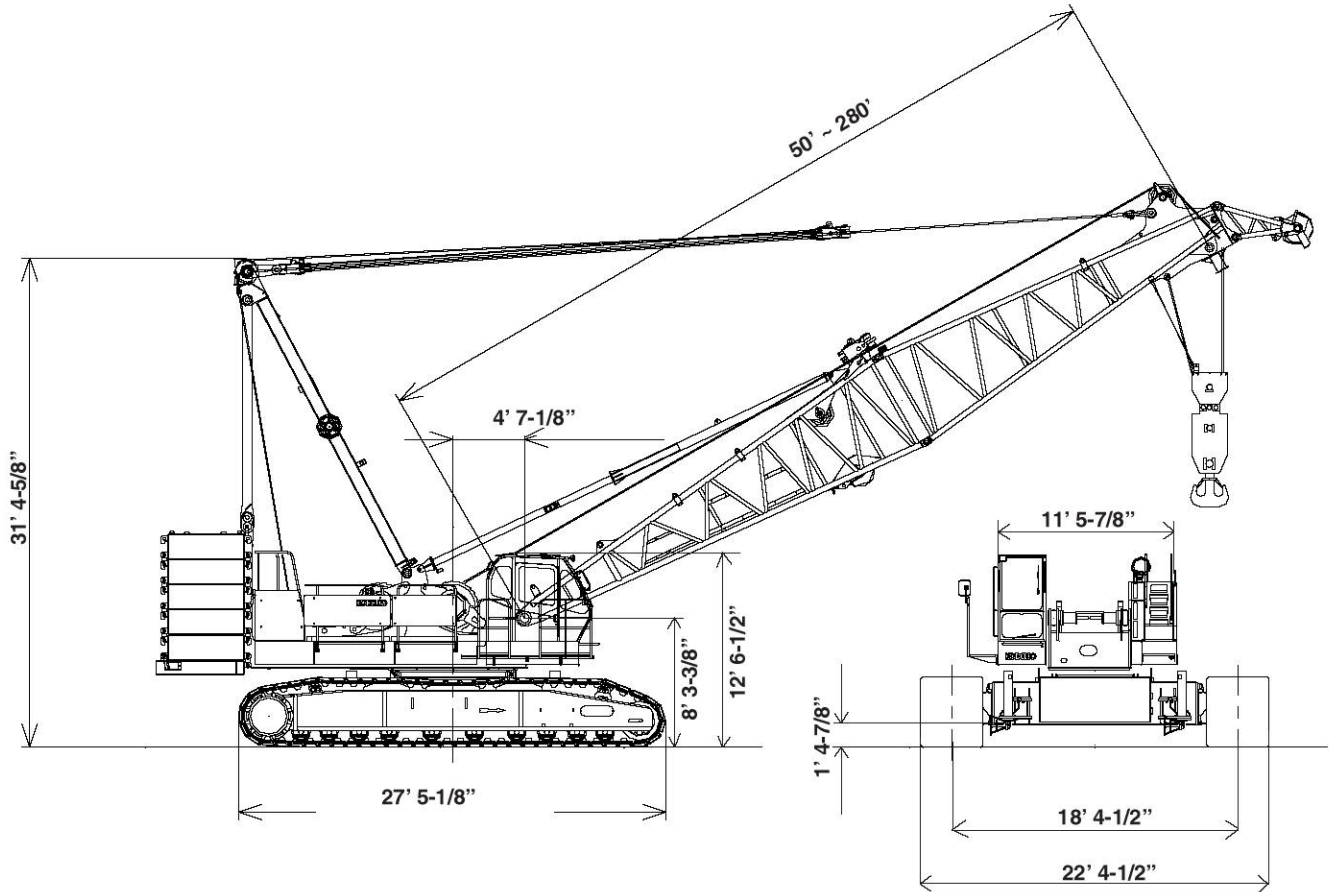
9. TOOLS AND ACCESSORIES

A set of tools and accessories are furnished.

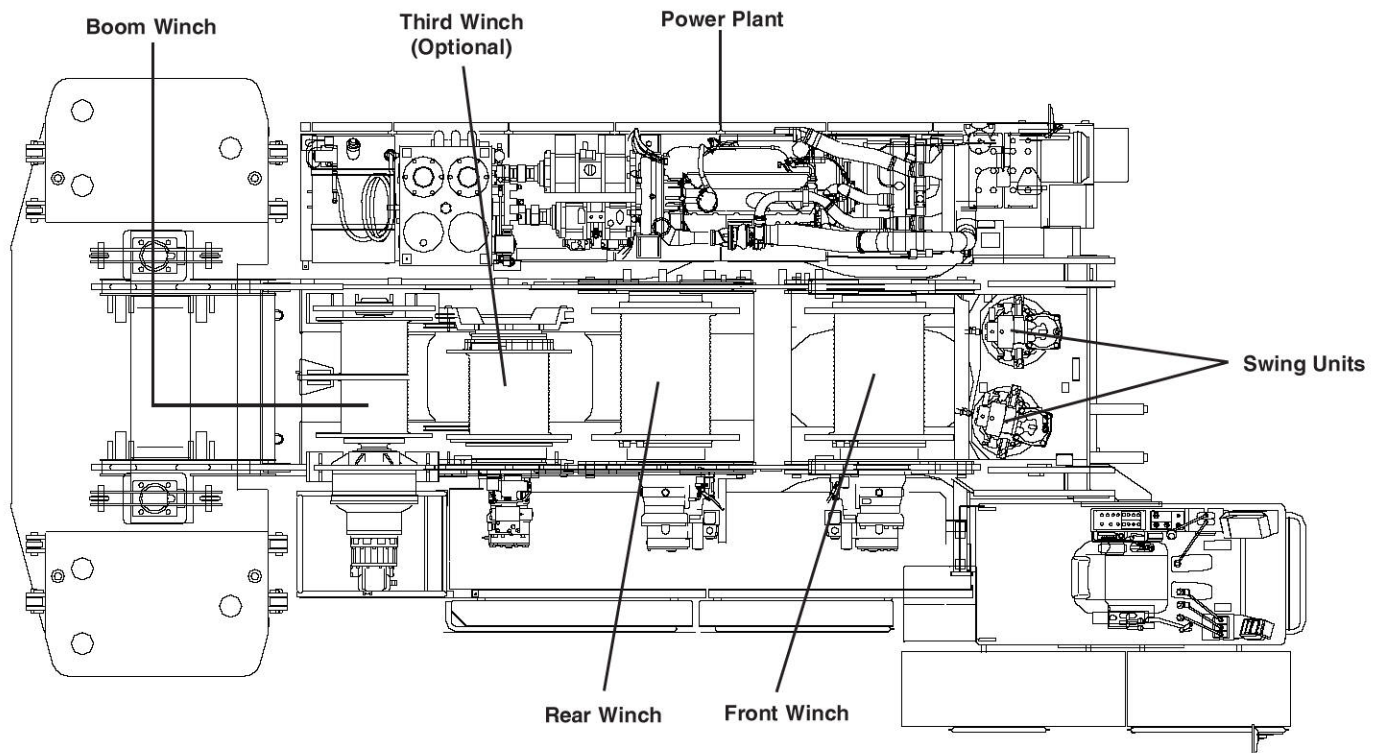
10. OPTIONAL EQUIPMENT

- Third drum
- Travel Kit
- Hydraulic tagline
- Pillow plate for boom self-erection
- Custom color

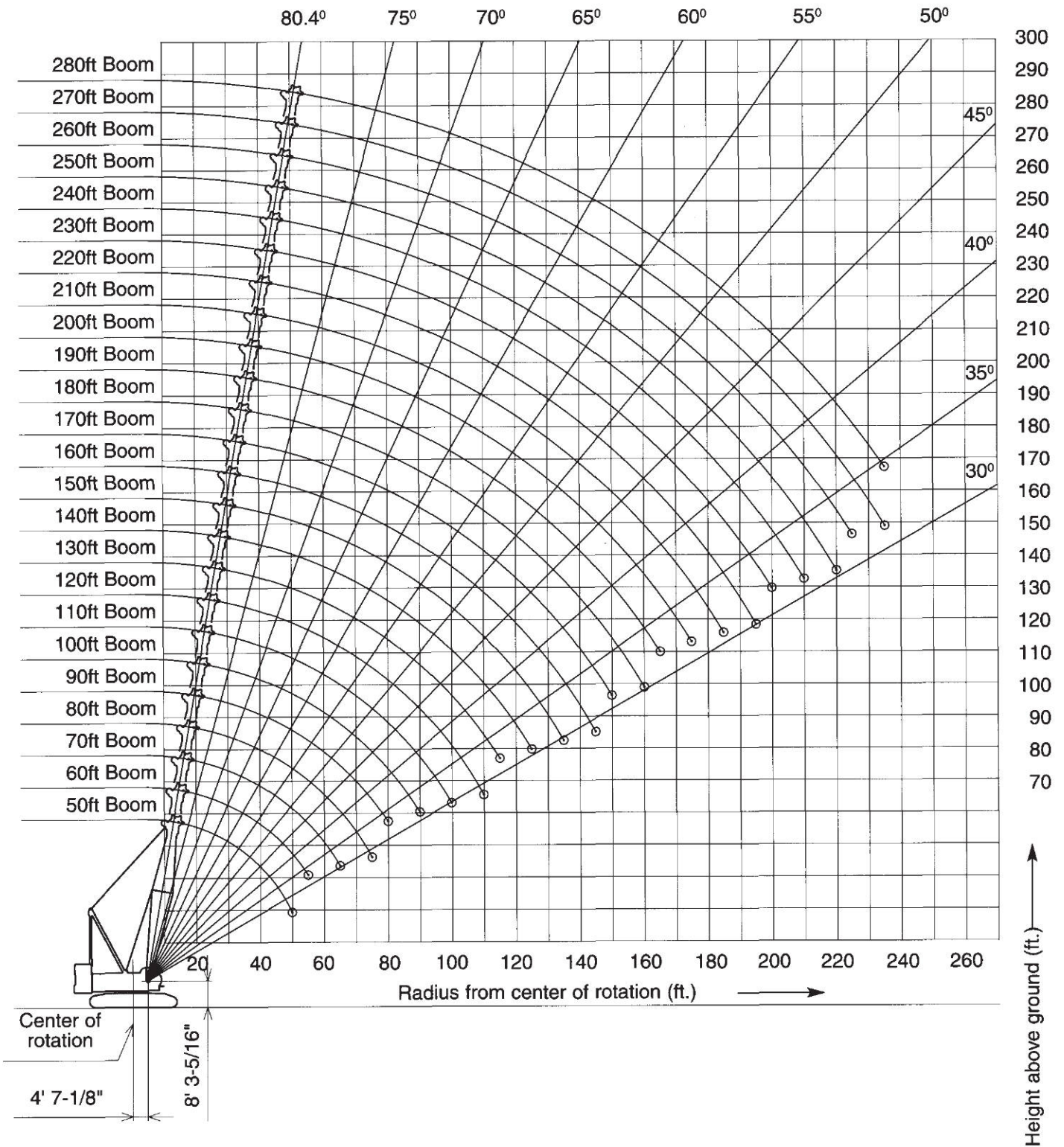
All specifications are subject to change without notice.



Upper Machinery Layout



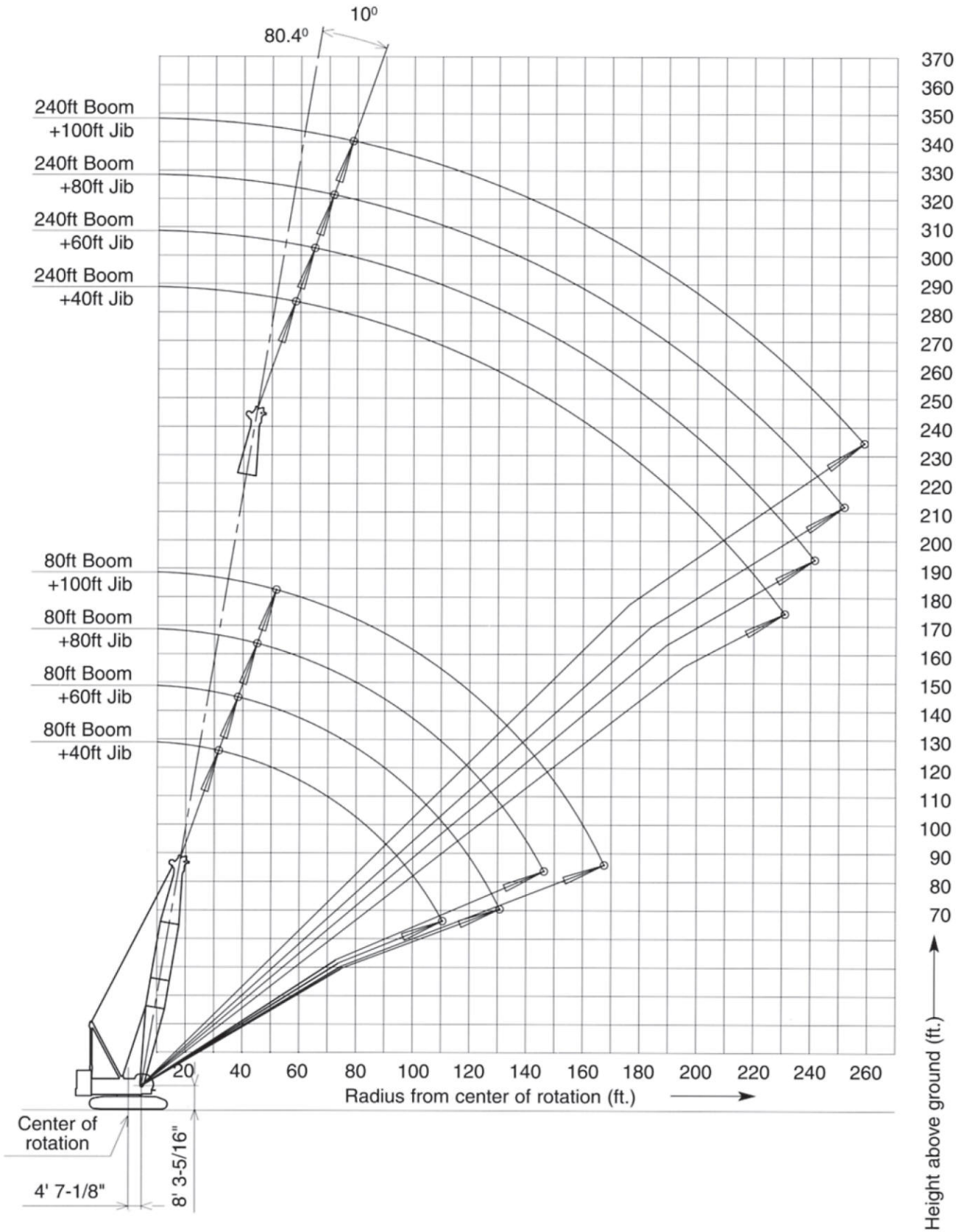
CK2000-II Main Boom Working Ranges **KOBELCO**



CK2000-II Jib Working Range



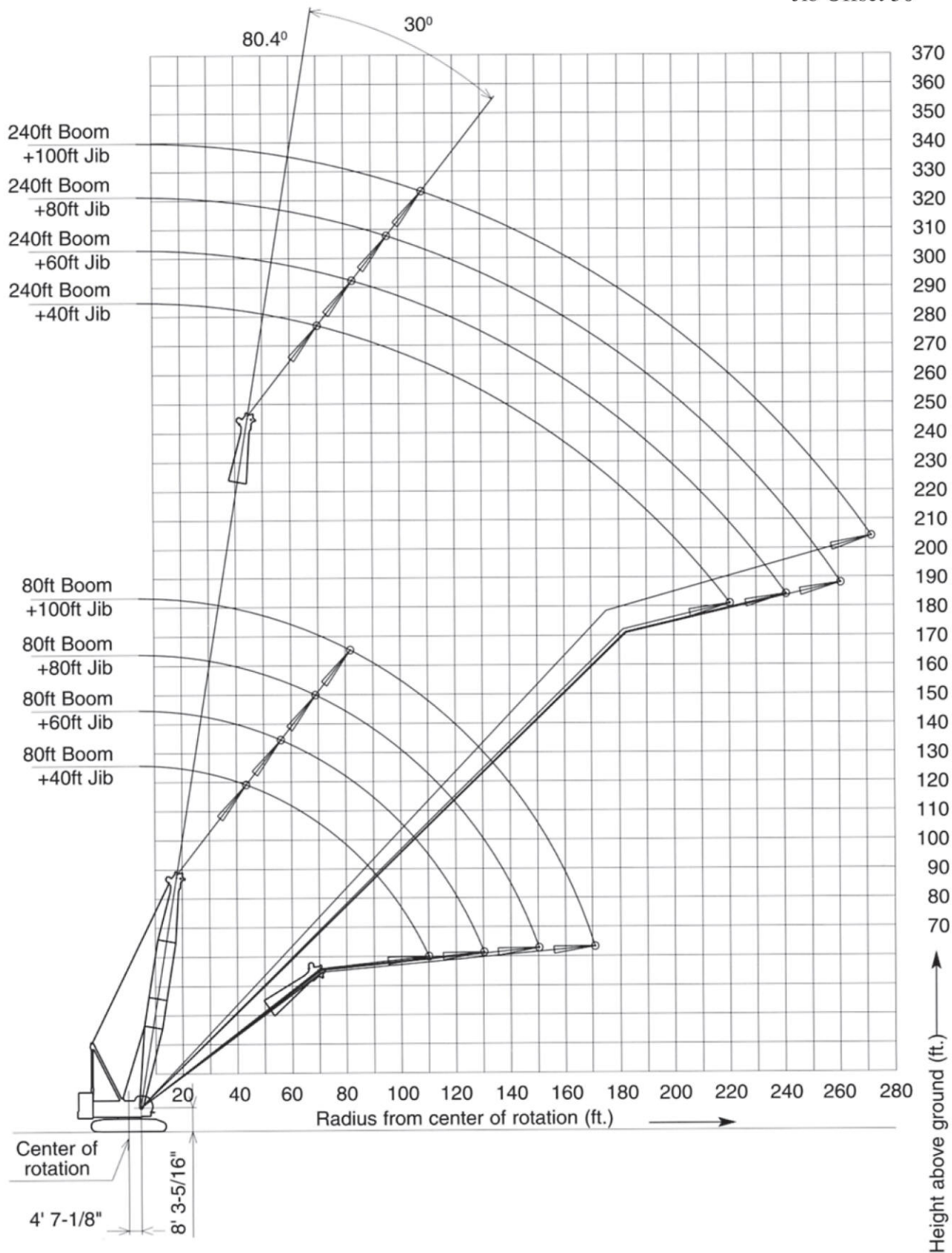
Jib Offset 10°



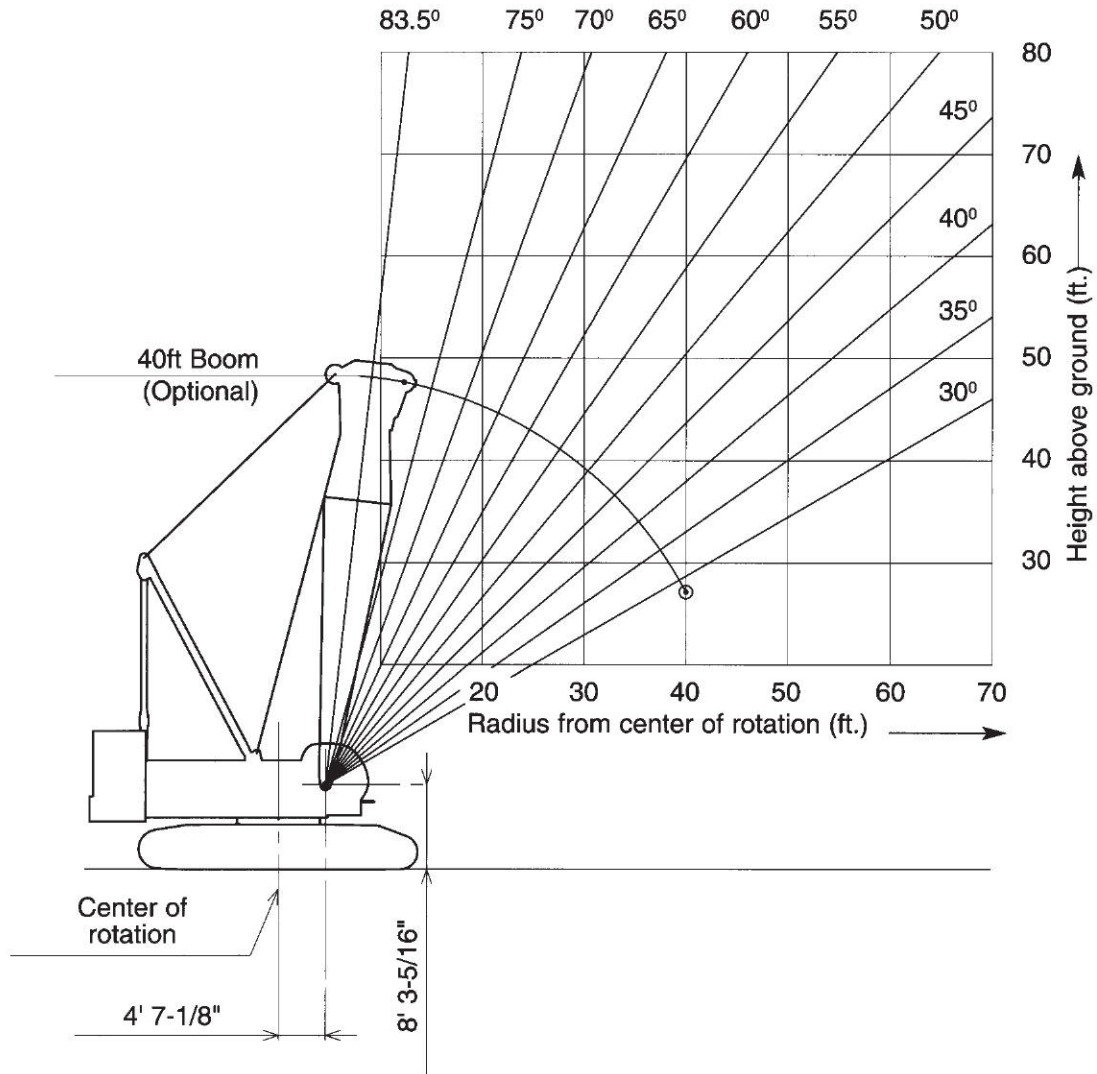
CK2000-II Jib Working Range



Jib Offset 30°



CK2000-II Optional Heavy Boom Working Ranges



CK2000-II Boom and Guy Wire Arrangement **KOBELCO**

Symbol	Dia in.(mm)	Length ft-in(m)
A	Ø 1 3/16" (30)	10' (3.05)
B	Ø 1 3/16" (30)	20' (6.10)
C	Ø 1 3/16" (30)	30' (9.14)
D	Ø 1 3/16" (30)	40' (12.20)
E	Ø 1 3/16" (30)	18' (5.74)

For most efficient use of this machine, boom and guy line arrangement must be correctly observed as shown.

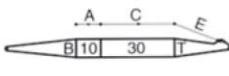
40ft (12.2 m)  Optional Heavy Boom

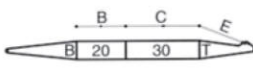
50ft (15.2 m) 

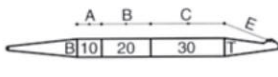
60ft (18.3 m) 

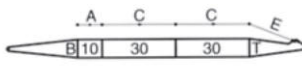
70ft (21.3 m) 

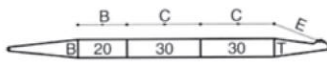
80ft (24.4 m) 

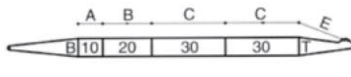
90ft (27.4 m) 

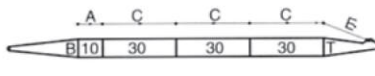
100ft (30.5 m) 

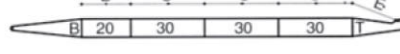
110ft (33.5 m) 

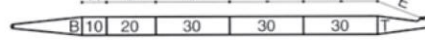
120ft (36.6 m) 

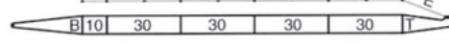
130ft (39.6 m) 

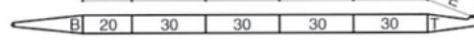
140ft (42.7 m) 

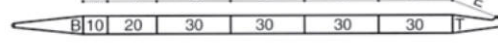
150ft (45.7 m) 

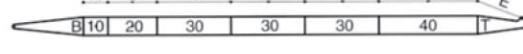
160ft (48.8 m) 

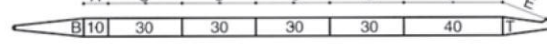
170ft (51.8 m) 

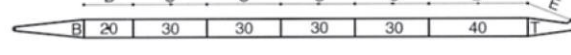
180ft (54.9 m) 

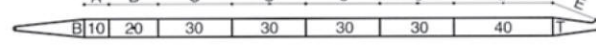
190ft (57.9 m) 

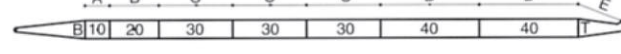
200ft (61.0 m) 

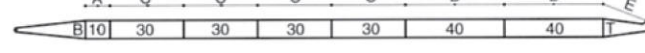
210ft (64.0 m) 

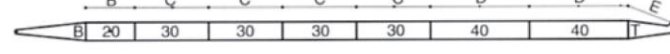
220ft (67.1 m) 

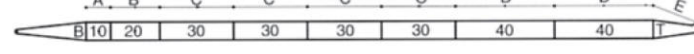
230ft (70.1 m) 

240ft (73.2 m) 

250ft (76.2 m) 

260ft (79.3 m) 

270ft (82.3 m) 

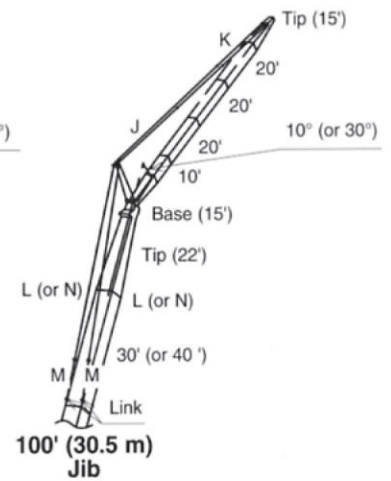
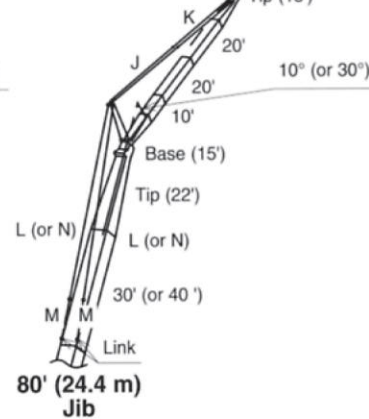
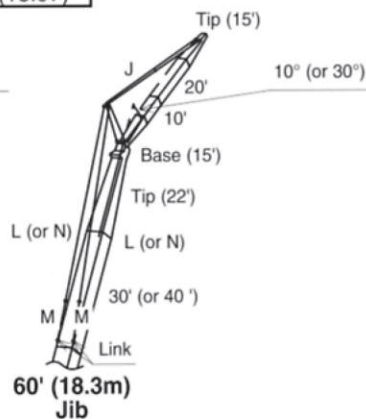
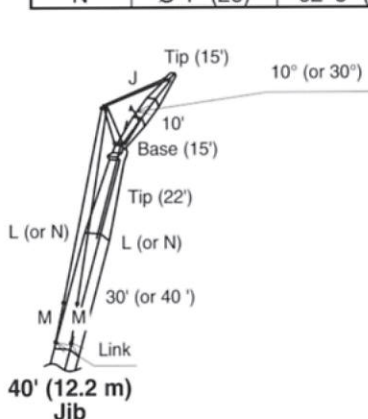
280ft (85.3 m) 

Jib and Guy Wire Arrangement

Symbol	Dia in.(mm)	Length ft-in(m)
J	Ø 1" (26)	87' 2" (26.58)
K	Ø 1" (26)	38' 6" (11.73)
L	Ø 1" (26)	52' 6" (16.0)
M	Ø 1" (26)	4' 5" (1.63)
N	Ø 1" (26)	62' 3" (18.97)

Arrangement of Guy Line (Boom Side)		
Boom Arrangement	Arrangement	
	(Tip + 30')	(Tip + 40')
Offset Angle		
10°	L	N
30°	L + M	N + M

Arrangement of Guy Line (Jib Side)			
40' Jib	60' Jib	80' Jib	100' Jib
J	J+K	J+K+K	J+K+K+K



KOBELCO CK2000-II Main Boom Rated Loads in Pounds

Counterweight: 132,280 lbs (60,000 kg)

Carbody weight: 44,100 lbs (20,000 kg)

Supplemental Data

1. Rated loads included in the charts are the maximum allowable freely suspended loads at a given boom length, boom angle and load radius, and have been determined for the machine standing level on firm supporting surface under ideal operating conditions. The user must limit or de-rate rated loads to allow for adverse conditions (such as soft or uneven ground, out-of-level conditions, wind, side loads, pendulum action, jerking or sudden stopping of loads, inexperience of personnel, multiple machine lifts, and traveling with a load).
2. Rated loads do not exceed 75% of minimum tipping loads. Rated loads based on factors other than machine stability such as structural competence are shown by asterisk * in the charts.
3. The machine must be reeved and set-up as stated in the operation manual and all the instruction manuals if these manuals are missing, obtain replacements.
 - 1) The crane must be leveled to within 1% on a firm supporting surface.
 - 2) Boom backstops are required for all boom lengths.
 - 3) Gantry must be fully raised position for all operations.
4. Do not attempt to lift where no radius on load is listed as crane may tip or collapse.
5. Attempting to lift more than rated loads may cause machine to tip or collapse. Do not tip machine to determine rated loads.
6. Weight of hooks, hook blocks, slings and other lifting devices are a part of the total load. Their total weight must be subtracted from the rated load to obtain the weight that can be lifted.
7. When lifting over boom point with jib or auxiliary sheave, rated loads for the boom must be deducted as shown below.

Jib Length	Aux. Sheave	40 ft	60 ft	80 ft	100 ft
Deduct (lbs)	1,250	7,055	8,010	8,965	9,920

8. The total load that can be lifted by the jib is limited by rated jib loads.
9. Boom lengths for jib mounting are 80 ft (24.4 m) to 240 ft (73.2 m).
10. Boom lengths that can attach auxiliary sheave are from 50 ft (15.2 m) to 270 ft (82.3 m).

11. The boom should be erected over the front of the crawlers, not laterally.

12. Least stable position is over the side.

13. Maximum hoist load for number of reeving parts of line for hoist rope.

Maximum Load for Main Boom

No. of Parts Line	1	2	3	4	5
Maximum Loads (lbs)	29,500	59,000	88,500	118,000	147,500

No. of Parts Line	6	7	8	9	10
Maximum Loads (lbs)	177,000	206,500	236,000	265,500	295,000

No. of Parts Line	12	14
Maximum Loads (lbs)	352,800	400,000

Maximum Load for Fixed Jib

No. of Parts Line	1	2
Maximum Loads (lbs)	29,500	59,000

Maximum Load for Auxiliary Sheave

No. of Parts Line	1	2
Maximum Loads (lbs)	29,500	59,000

14. Lifting capacities listed apply only to the machine as originally manufactured and designed by KOBELCO CRANES CO.,LTD. Modifications to this machine or use of equipment other than that specified can reduce operating capacity.

15. Designed and rated to comply ANSI code B30.5.

Operation of this equipment in excess of rated loads or disregard of instruction void the warranty

CK2000-II Main Boom Rated Loads in Pounds

Refer to notes page 11

11 Counterweights (132,280 lbs) + 2 Low Weights (22,050 lbs x 2)

40' Boom			50' Boom			60' Boom			70' Boom		
Load Radius (ft)	Boom Angle (deg.)	360° Rated Load (lbs)	Load Radius (ft)	Boom Angle (deg.)	360° Rated Load (lbs)	Load Radius (ft)	Boom Angle (deg.)	360° Rated Load (lbs)	Load Radius (ft)	Boom Angle (deg.)	360° Rated Load (lbs)
12.3	83.5	400,000 *	14.3	80.4	352,800 *	16	80.4	318,000 *	17.7	80.4	289,700 *
13	82.5	381,100 *	15	79.6	337,800 *	17	79.4	300,600 *	18	80.1	285,100 *
14	81.1	356,500 *	16	78.4	318,000 *	18	78.4	285,100 *	19	79.3	271,200 *
15	79.6	335,100 *	17	77.3	300,600 *	19	77.5	271,200 *	20	78.4	258,800 *
16	78.1	316,400 *	18	76.1	285,100 *	20	76.5	258,800 *	22	76.8	235,900 *
17	76.6	300,000 *	19	74.9	271,200 *	22	74.5	235,900 *	24	75.1	217,000 *
18	75.1	284,900 *	20	73.7	258,800 *	24	72.5	217,000 *	26	73.4	199,700 *
19	73.6	271,000 *	22	71.3	235,900 *	26	70.5	199,700 *	28	71.6	185,000 *
20	72.0	258,600 *	24	68.8	217,000 *	28	68.4	185,000 *	30	69.9	172,100 *
22	68.9	235,100 *	26	66.3	199,700 *	30	66.3	172,100 *	32	68.1	160,900 *
24	65.7	214,000 *	28	63.7	185,000 *	32	64.2	160,900 *	34	66.3	151,000 *
26	62.4	196,100 *	30	61.1	172,100 *	34	62.0	151,000 *	36	64.5	142,200 *
28	58.9	180,800 *	32	58.4	160,900 *	36	59.8	142,200 *	38	62.7	134,400 *
30	55.3	166,400 *	34	55.6	151,000 *	38	57.5	134,400 *	40	60.8	126,500 *
32	51.5	153,700 *	36	52.7	142,200 *	40	55.2	126,800 *	45	55.9	107,800 *
34	47.5	142,500 *	38	49.7	134,400 *	45	49.0	108,000 *	50	50.7	93,700 *
36	43.1	130,600 *	40	46.6	127,200 *	50	42.2	94,100 *	55	45.1	82,900 *
38	38.3	119,900 *	45	37.7	108,500 *	55	34.2	83,100 *	60	38.9	74,100 *
40	32.7	110,300 *	50	26.4	86,400 *				65	31.5	67,000 *
80' Boom			90' Boom			100' Boom			110' Boom		
Load Radius (ft)	Boom Angle (deg.)	360° Rated Load (lbs)	Load Radius (ft)	Boom Angle (deg.)	360° Rated Load (lbs)	Load Radius (ft)	Boom Angle (deg.)	360° Rated Load (lbs)	Load Radius (ft)	Boom Angle (deg.)	360° Rated Load (lbs)
19.3	80.4	267,400 *	21	80.4	247,000 *	22.7	80.4	229,100 *	24.3	80.4	214,100 *
20	79.9	258,800 *	22	79.7	235,900 *	24	79.6	217,000 *	26	79.5	199,700 *
22	78.4	235,900 *	24	78.4	217,000 *	26	78.4	199,700 *	28	78.5	185,000 *
24	77.0	217,000 *	26	77.1	199,700 *	28	77.3	185,000 *	30	77.4	172,100 *
26	75.5	199,700 *	28	75.8	185,000 *	30	76.1	172,100 *	32	76.3	160,900 *
28	74.0	185,000 *	30	74.5	172,100 *	32	74.9	160,900 *	34	75.2	151,000 *
30	72.5	172,100 *	32	73.2	160,900 *	34	73.7	151,000 *	36	74.1	142,200 *
32	71.0	160,900 *	34	71.8	151,000 *	36	72.5	142,200 *	38	73.1	134,400 *
34	69.4	151,000 *	36	70.5	142,200 *	38	71.3	134,400 *	40	72.0	125,200 *
36	67.9	142,200 *	38	69.1	134,400 *	40	70.1	125,700 *	45	69.2	106,500 *
38	66.3	134,400 *	40	67.7	125,900 *	45	67.0	106,900 *	50	66.4	92,400 *
40	64.7	126,100 *	45	64.2	107,100 *	50	63.8	92,800 *	55	63.5	81,300 *
45	60.7	107,400 *	50	60.6	93,300 *	55	60.5	82,000 *	60	60.5	72,500 *
50	56.4	93,300 *	55	56.8	82,200 *	60	57.2	73,200 *	65	57.4	65,500 *
55	52.0	82,500 *	60	52.9	73,400 *	65	53.7	65,900 *	70	54.3	59,300 *
60	47.2	73,600 *	65	48.7	66,100 *	70	50.0	60,000 *	75	50.9	54,200 *
65	42.0	66,600 *	70	44.3	60,200 *	75	46.1	54,900 *	80	47.5	50,000 *
70	36.2	60,600 *	75	39.4	55,100 *	80	41.9	50,500 *	85	43.8	46,300 *
75	29.4	55,600 *	80	34.0	50,900 *	85	37.3	46,700 *	90	39.8	43,000 *
						90	32.2	43,400 *	95	35.5	40,100 *
									100	30.6	37,500 *

CK2000-II Main Boom Rated Loads in Pounds

Refer to notes page 11

11 Counterweights (132,280 lbs) + 2 Low Weights (22,050 lbs x 2)

120' Boom			130' Boom			140' Boom			150' Boom		
Load Radius (ft)	Boom Angle (deg.)	360° Rated Load (lbs)	Load Radius (ft)	Boom Angle (deg.)	360° Rated Load (lbs)	Load Radius (ft)	Boom Angle (deg.)	360° Rated Load (lbs)	Load Radius (ft)	Boom Angle (deg.)	360° Rated Load (lbs)
26	80.4	199,700	27.7	80.4	177,000	29.3	80.4	175,000 *	31	80.4	161,600
28	79.4	185,000	28	80.2	177,000	30	80.1	171,100	32	80.0	156,100
30	78.5	172,100	30	79.4	172,100	32	79.3	159,200	34	79.2	145,900
32	77.5	160,900	32	78.5	160,900	34	78.5	148,800	36	78.5	136,900
34	76.5	151,000	34	77.5	151,000	36	77.6	139,800	38	77.7	129,200
36	75.5	142,200	36	76.6	142,200	38	76.8	131,800	40	76.9	122,100
38	74.5	134,400	38	75.7	134,300	40	75.9	124,600	45	74.9	105,400
40	73.5	125,200	40	74.8	125,000	45	73.8	105,800	50	72.9	91,300
45	71.0	106,500	45	72.5	106,300	50	71.7	91,700	55	70.9	80,200
50	68.4	92,400	50	70.2	92,200	55	69.5	80,700	60	68.9	71,400
55	65.8	81,300	55	67.8	81,100	60	67.3	71,600	65	66.8	64,200
60	63.2	72,500	60	65.4	72,300	65	65.0	64,600	70	64.7	58,000
65	60.5	65,300	65	62.9	65,000	70	62.7	58,400	75	62.5	52,900
70	57.7	59,100	70	60.4	58,900	75	60.4	53,400	80	60.4	48,500
75	54.8	54,000	75	57.8	53,800	80	58.0	48,900	85	58.1	44,800
80	51.8	49,600	80	55.2	49,400	85	55.5	45,200	90	55.8	41,400
85	48.6	45,900	85	52.4	45,600	90	53.0	41,900	95	53.5	38,600
90	45.3	42,500	90	49.6	42,300	95	50.4	38,800	100	51.0	35,900
95	41.8	39,700	95	46.6	39,500	100	47.6	36,400	105	48.5	33,500
100	38.0	37,000	100	43.4	36,800	105	44.8	34,000	110	45.9	31,500
105	33.9	34,800	105	40.1	34,600	110	41.7	32,000	115	43.1	29,500
110	29.2	32,800	110	36.4	32,400	115	38.5	30,000	120	40.2	28,000
			115	32.5	30,600	120	35.1	28,200	125	37.2	26,500
						125	31.3	26,900	130	33.8	24,900
									135	30.2	23,600

160' Boom			170' Boom			180' Boom			190' Boom		
Load Radius (ft)	Boom Angle (deg.)	360° Rated Load (lbs)	Load Radius (ft)	Boom Angle (deg.)	360° Rated Load (lbs)	Load Radius (ft)	Boom Angle (deg.)	360° Rated Load (lbs)	Load Radius (ft)	Boom Angle (deg.)	360° Rated Load (lbs)
32.7	80.4	147,500	34.3	80.4	136,700 *	36	80.4	126,300 *	37.7	80.4	115,500 *
34	79.9	143,700	36	79.8	132,300	38	79.8	122,400 *	38	80.3	115,300 *
36	79.2	134,900	38	79.1	124,600	40	79.1	115,500	40	79.7	113,300 *
38	78.5	127,200	40	78.5	117,700	45	77.5	101,600	45	78.1	100,300
40	77.7	120,100	45	76.7	103,600	50	75.8	90,400	50	76.6	89,300
45	75.9	105,400	50	75.0	90,800	55	74.2	79,400	55	75.0	79,100
50	74.0	91,000	55	73.2	79,600	60	72.5	70,300	60	73.5	70,300
55	72.1	80,000	60	71.5	70,800	65	70.8	63,100	65	71.9	63,100
60	70.2	71,200	65	69.7	63,500	70	69.1	57,100	70	70.3	56,900
65	68.3	63,900	70	67.9	57,500	75	67.4	52,000	75	68.7	51,800
70	66.4	58,000	75	66.0	52,200	80	65.7	47,600	80	67.0	47,400
75	64.4	52,700	80	64.1	47,800	85	63.9	43,700	85	65.4	43,700
80	62.4	48,300	85	62.3	44,100	90	62.1	40,300	90	63.7	40,100
85	60.3	44,500	90	60.3	40,800	95	60.3	37,500	95	62.0	37,300
90	58.2	41,200	95	58.4	37,700	100	58.4	34,800	100	60.3	34,600
95	56.1	38,400	100	56.3	35,300	105	56.5	32,400	105	58.5	32,200
100	53.9	35,700	105	54.3	32,800	110	54.6	30,400	110	56.7	30,200
105	51.6	33,300	110	52.2	30,600	115	52.6	28,400	115	54.9	28,200
110	49.3	31,300	115	50.0	28,900	120	50.6	26,700	120	53.0	26,500
115	46.9	29,300	120	47.7	27,100	125	48.5	25,100	125	51.1	24,900
120	44.3	27,600	125	45.4	25,600	130	46.3	23,800	130	49.1	23,400
125	41.7	26,000	130	42.9	24,000	135	44.0	22,500	135	47.1	22,000
130	38.9	24,700	135	40.4	22,700	140	41.7	21,200	140	45.0	20,900
135	35.9	23,400	140	37.7	21,600	145	39.2	20,100	145	42.8	19,800
140	32.7	22,000	145	34.8	20,500	150	36.6	19,000	150	40.5	18,700
145	29.2	20,900	150	31.7	19,400	155	33.8	18,100	155	38.1	17,900
						160	30.7	17,200	160	35.5	17,000
									165	32.8	16,100

CK2000-II Main Boom Rated Loads in Pounds

Refer to notes page 11

11 Counterweights (132,280 lbs) + 2 Low Weights (22,050 lbs x 2)

200' Boom			210' Boom			220' Boom			230' Boom		
Load Radius (ft)	Boom Angle (deg.)	360° Rated Load (lbs)	Load Radius (ft)	Boom Angle (deg.)	360° Rated Load (lbs)	Load Radius (ft)	Boom Angle (deg.)	360° Rated Load (lbs)	Load Radius (ft)	Boom Angle (deg.)	360° Rated Load (lbs)
39.3	80.4	106,500 *	41	80.4	98,500 *	42.7	80.4	90,800 *	44.3	80.4	83,800 *
40	80.2	105,800 *	45	79.3	95,500 *	45	79.8	89,300 *	45	80.2	83,300 *
45	78.7	98,300 *	50	77.9	86,200 *	50	78.5	84,900 *	50	79.0	79,800 *
50	77.3	87,500	55	76.5	77,600	55	77.1	76,300 *	55	77.7	74,700 *
55	75.8	78,700	60	75.1	69,700	60	75.8	69,200	60	76.4	67,900 *
60	74.3	69,900	65	73.7	62,400	65	74.4	62,200	65	75.1	61,700 *
65	72.8	62,600	70	72.2	56,400	70	73.1	56,000	70	73.8	55,600
70	71.3	56,400	75	70.8	51,100	75	71.7	50,900	75	72.5	50,500
75	69.8	51,400	80	69.3	46,700	80	70.3	46,500	80	71.2	46,100
80	68.3	47,000	85	67.9	43,000	85	68.9	42,500	85	69.9	42,100
85	66.7	43,000	90	66.4	39,700	90	67.5	39,200	90	68.6	38,800
90	65.1	39,700	95	64.9	36,600	95	66.1	36,200	95	67.2	35,900
95	63.5	36,800	100	63.4	34,000	100	64.7	33,500	100	65.8	33,300
100	61.9	34,200	105	61.8	31,500	105	63.2	31,300	105	64.5	30,900
105	60.3	31,700	110	60.3	29,500	110	61.7	29,100	110	63.1	28,700
110	58.6	29,800	115	58.7	27,600	115	60.2	27,100	115	61.7	26,900
115	56.9	27,800	120	57.1	25,800	120	58.7	25,600	120	60.2	25,100
120	55.2	26,000	125	55.4	24,300	125	57.2	23,800	125	58.8	23,600
125	53.4	24,500	130	53.7	22,900	130	55.6	22,500	130	57.3	22,000
130	51.6	22,900	135	52.0	21,400	135	54.0	21,200	135	55.8	20,700
135	49.7	21,600	140	50.2	20,300	140	52.4	19,800	140	54.3	19,400
140	47.8	20,500	145	48.4	19,200	145	50.7	18,700	145	52.7	18,300
145	45.8	19,400	150	46.6	18,100	150	49.0	17,600	150	51.1	17,200
150	43.8	18,300	155	44.6	17,200	155	47.2	16,800	155	49.5	16,300
155	41.6	17,200	160	42.7	16,100	160	45.4	15,900	160	47.8	15,400
160	39.4	16,300	165	40.6	15,400	165	43.6	15,000	165	46.1	14,600
165	37.1	15,400	170	38.4	14,600	170	41.6	14,100	170	44.4	13,700
170	34.6	14,800	175	36.2	13,900	175	39.6	13,400	175	42.5	13,000
175	32.0	14,100	180	33.7	13,200	180	37.5	12,800	180	40.7	12,100
			185	31.2	12,600	185	35.3	11,900	185	38.7	11,500
						190	32.9	11,200	190	36.6	10,800
						195	30.4	10,800	195	34.5	10,100
									200	32.2	9,700

240' Boom			240' Boom			250' Boom			250' Boom		
Load Radius (ft)	Boom Angle (deg.)	360° Rated Load (lbs)	Load Radius (ft)	Boom Angle (deg.)	360° Rated Load (lbs)	Load Radius (ft)	Boom Angle (deg.)	360° Rated Load (lbs)	Load Radius (ft)	Boom Angle (deg.)	360° Rated Load (lbs)
46	80.4	76,100 *	130	58.8	21,800	47.7	80.4	70,100 *	135	58.9	20,300
50	79.4	73,000 *	135	57.4	20,500	50	79.9	68,100 *	140	57.5	19,000
55	78.2	68,800 *	140	56.0	19,200	55	78.7	64,400 *	145	56.2	17,900
60	77.0	64,800 *	145	54.5	18,100	60	77.5	60,600 *	150	54.8	16,800
65	75.8	61,100 *	150	53.0	17,000	65	76.3	57,300 *	155	53.3	15,900
70	74.5	55,600 *	155	51.5	16,100	70	75.2	54,000 *	160	51.9	15,000
75	73.3	50,300	160	50.0	15,200	75	74.0	50,300 *	165	50.4	14,100
80	72.0	45,900	165	48.4	14,300	80	72.8	45,600	170	48.9	13,200
85	70.8	42,100	170	46.8	13,400	85	71.6	41,900	175	47.4	12,300
90	69.5	38,600	175	45.1	12,600	90	70.3	38,600	180	45.8	11,700
95	68.2	35,700	180	43.4	11,900	95	69.1	35,500	185	44.1	10,800
100	66.9	33,100	185	41.6	11,200	100	67.9	32,800	190	42.5	10,100
105	65.6	30,600	190	39.8	10,400	105	66.6	30,400	195	40.7	9,500
110	64.3	28,700	195	37.8	9,900	110	65.4	28,400	200	38.9	9,000
115	62.9	26,700	200	35.8	9,300	115	64.1	26,500	205	37.0	8,400
120	61.6	24,900	205	33.7	8,600	120	62.8	24,700	210	35.1	7,900
125	60.2	23,400	210	31.5	8,200	125	61.5	23,100	215	33.0	7,300
						130	60.2	21,600	220	30.8	6,800

CK2000-II Main Boom Rated Loads in Pounds

Refer to notes page 11

11 Counterweights (132,280 lbs) + 2 Low Weights (22,050 lbs x 2)

260' Boom			270' Boom			280' Boom					
Load Radius (ft)	Boom Angle (deg.)	360° Rated Load (lbs)	Load Radius (ft)	Boom Angle (deg.)	360° Rated Load (lbs)	Load Radius (ft)	Boom Angle (deg.)	360° Rated Load (lbs)			
49.3	80.4	63,900 *	51	80.4	63,900 *	52.7	80.4	58,400 *			
50	80.3	63,500 *	55	79.5	62,400 *	55	79.9	57,800 *			
55	79.1	59,700 *	60	78.5	60,600 *	60	78.9	56,000 *			
60	78.0	56,400 *	65	77.4	58,900 *	65	77.8	54,500 *			
65	76.9	53,100 *	70	76.3	54,700 *	70	76.8	52,900 *			
70	75.7	50,300 *	75	75.2	49,600 *	75	75.7	49,200 *			
75	74.6	47,400 *	80	74.1	45,000 *	80	74.7	44,800 *			
80	73.5	44,800 *	85	73.0	41,200	85	73.6	40,800 *			
85	72.3	41,400 *	90	71.9	37,900	90	72.5	37,500 *			
90	71.1	38,100	95	70.7	34,800	95	71.5	34,400			
95	70.0	35,300	100	69.6	32,200	100	70.4	31,700			
100	68.8	32,600	105	68.5	29,800	105	69.3	29,300			
105	67.6	30,200	110	67.3	27,800	110	68.2	27,300			
110	66.4	28,000	115	66.2	25,800	115	67.1	25,400			
115	65.2	26,000	120	65.0	24,000	120	65.9	23,600			
120	64.0	24,300	125	63.8	22,500	125	64.8	22,000			
125	62.7	22,700	130	62.6	20,900	130	63.7	20,500			
130	61.5	21,200	135	61.4	19,600	135	62.5	19,200			
135	60.2	19,800	140	60.2	18,300	140	61.4	17,900			
140	58.9	18,700	145	59.0	17,200	145	60.2	16,800			
145	57.6	17,600	150	57.7	16,100	150	59.0	15,700			
150	56.3	16,500	155	56.4	15,200	155	57.8	14,600			
155	55.0	15,400	160	55.2	14,100	160	56.6	13,700			
160	53.6	14,600	165	53.9	13,200	165	55.3	12,600			
165	52.2	13,700	170	52.5	12,300	170	54.1	11,700			
170	50.8	12,800	175	51.2	11,500	175	52.8	10,800			
175	49.4	11,900	180	49.8	10,800	180	51.5	10,100			
180	47.9	11,200	185	48.4	9,900	185	50.2	9,500			
185	46.4	10,400	190	46.9	9,300	190	48.8	8,600			
190	44.8	9,700	195	45.5	8,600	195	47.4	8,200			
195	43.2	9,000	200	43.9	7,900	200	46.0	7,500			
200	41.6	8,400	205	42.4	7,500	205	44.6	6,800			
205	39.9	7,900	210	40.8	6,800	210	43.1	6,400			
210	38.1	7,300	215	39.1	6,400	215	41.6	5,700			
215	36.3	6,800	220	37.4	6,000	220	40.0	5,300			
220	34.4	6,400	225	35.6	5,500	225	38.4	4,900			
225	32.4	6,000	230	33.7	5,100	230	36.7	4,400			
			235	31.7	4,600	235	34.9	4,000			

CK2000-II Auxiliary Sheave Rating Loads in Pounds

Refer to notes page 11

11 Counterweight (132,280 + 2 Low Weights (22,050 lbs x 2))

50' Boom			60' Boom			70' Boom			80' Boom		
Load Radius (ft)	Boom Angle (deg.)	360° Rated Load (lbs)	Load Radius (ft)	Boom Angle (deg.)	360° Rated Load (lbs)	Load Radius (ft)	Boom Angle (deg.)	360° Rated Load (lbs)	Load Radius (ft)	Boom Angle (deg.)	360° Rated Load (lbs)
17	80.4	59,000 *	18.6	80.4	59,000 *	20.3	80.4	59,000 *	22	80.4	59,000 *
18	79.3	59,000 *	19	80.1	59,000 *	22	79.1	59,000 *	22	80.4	59,000 *
19	78.3	59,000 *	20	79.2	59,000 *	24	77.5	59,000 *	24	79.0	59,000 *
20	77.2	59,000 *	22	77.4	59,000 *	26	76.0	59,000 *	26	77.6	59,000 *
22	75.0	59,000 *	24	75.6	59,000 *	28	74.4	59,000 *	28	76.3	59,000 *
24	72.8	59,000 *	26	73.7	59,000 *	30	72.8	59,000 *	30	74.9	59,000 *
26	70.6	59,000 *	28	71.9	59,000 *	32	71.1	59,000 *	32	73.4	59,000 *
28	68.4	59,000 *	30	70.0	59,000 *	34	69.5	59,000 *	34	72.0	59,000 *
30	66.1	59,000 *	32	68.1	59,000 *	36	67.9	59,000 *	36	70.6	59,000 *
32	63.7	59,000 *	34	66.1	59,000 *	38	66.2	59,000 *	38	69.1	59,000 *
34	61.3	59,000 *	36	64.2	59,000 *	40	64.5	59,000 *	40	67.7	59,000 *
36	58.9	59,000 *	38	62.2	59,000 *	45	60.1	59,000 *	45	63.9	59,000 *
38	56.3	59,000 *	40	60.1	59,000 *	50	55.5	59,000 *	50	60.1	59,000 *
40	53.7	59,000 *	45	54.7	59,000 *	55	50.6	59,000 *	55	56.0	59,000 *
45	46.7	59,000 *	50	49.0	59,000 *	60	45.3	59,000 *	60	51.8	59,000 *
50	38.5	59,000 *	55	42.5	59,000 *	65	39.3	59,000 *	65	47.2	59,000 *
55	28.2	59,000 *	60	35.1	59,000 *	70	32.5	59,000 *	70	42.3	59,000 *
55.7	26.4	59,000 *	60.6	34.2	59,000 *	70.6	31.5	59,000 *	75	36.8	55,100
									80	30.3	50,700
									80.6	29.4	50,300
90' Boom			100' Boom			110' Boom			120' Boom		
Load Radius (ft)	Boom Angle (deg.)	360° Rated Load (lbs)	Load Radius (ft)	Boom Angle (deg.)	360° Rated Load (lbs)	Load Radius (ft)	Boom Angle (deg.)	360° Rated Load (lbs)	Load Radius (ft)	Boom Angle (deg.)	360° Rated Load (lbs)
23.7	80.4	59,000 *	25.3	80.4	59,000 *	27	80.4	59,000 *	28.7	80.4	59,000 *
24	80.2	59,000 *	26	80.0	59,000 *	28	79.9	59,000 *	30	79.8	59,000 *
26	79.0	59,000 *	28	78.9	59,000 *	30	78.9	59,000 *	32	78.8	59,000 *
28	77.7	59,000 *	30	77.8	59,000 *	32	77.9	59,000 *	34	77.9	59,000 *
30	76.5	59,000 *	32	76.7	59,000 *	34	76.8	59,000 *	36	77.0	59,000 *
32	75.2	59,000 *	34	75.5	59,000 *	36	75.8	59,000 *	38	76.0	59,000 *
34	74.0	59,000 *	36	74.4	59,000 *	38	74.8	59,000 *	40	75.1	59,000 *
36	72.7	59,000 *	38	73.3	59,000 *	40	73.7	59,000 *	45	72.7	59,000 *
38	71.4	59,000 *	40	72.1	59,000 *	45	71.1	59,000 *	50	70.2	59,000 *
40	70.2	59,000 *	45	69.2	59,000 *	50	68.4	59,000 *	55	67.8	59,000 *
45	66.9	59,000 *	50	66.2	59,000 *	55	65.7	59,000 *	60	65.3	59,000 *
50	63.5	59,000 *	55	63.2	59,000 *	60	62.9	59,000 *	65	62.7	59,000 *
55	60.1	59,000 *	60	60.1	59,000 *	65	60.1	59,000 *	70	60.1	59,000 *
60	56.5	59,000 *	65	56.8	59,000 *	70	57.1	59,000 *	75	57.3	53,800
65	52.7	59,000 *	70	53.4	59,000 *	75	54.0	54,200	80	54.5	49,600
70	48.7	59,000 *	75	49.9	54,700	80	50.8	49,800	85	51.6	45,600
75	44.4	54,900	80	46.1	50,300	85	47.5	46,100	90	48.6	42,300
80	39.8	50,500	85	42.1	46,300	90	43.9	42,500	95	45.4	39,500
85	34.6	46,700	90	37.7	43,000	95	40.1	39,700	100	42.0	36,800
85.5	34.0	46,300	95	32.8	40,100	100	35.9	37,000	105	38.3	34,400
			95.6	32.2	39,900	105	31.2	34,800	110	34.4	32,400
						105.6	30.6	34,600	115	29.9	30,400
									115.7	29.2	30,200

CK2000-II Auxiliary Sheave Rating Loads in Pounds

Refer to notes page 11

11 Counterweight (132,280 + 2 Low Weights (22,050 lbs x 2))

130' Boom			140' Boom			150' Boom			160' Boom		
Load Radius (ft)	Boom Angle (deg.)	360° Rated Load (lbs)	Load Radius (ft)	Boom Angle (deg.)	360° Rated Load (lbs)	Load Radius (ft)	Boom Angle (deg.)	360° Rated Load (lbs)	Load Radius (ft)	Boom Angle (deg.)	360° Rated Load (lbs)
30.3	80.4	59,000 *	32	80.4	59,000 *	33.7	80.4	59,000 *	35.3	80.4	59,000 *
32	79.7	59,000 *	32	80.4	59,000 *	34	80.3	59,000 *	36	80.2	59,000 *
34	78.8	59,000 *	34	79.6	59,000 *	36	79.5	59,000 *	38	79.5	59,000 *
36	77.9	59,000 *	36	78.8	59,000 *	38	78.8	59,000 *	40	78.7	59,000 *
38	77.1	59,000 *	38	78.0	59,000 *	40	78.0	59,000 *	45	77.0	59,000 *
40	76.2	59,000 *	40	77.2	59,000 *	45	76.1	59,000 *	50	75.2	59,000 *
45	74.0	59,000 *	45	75.1	59,000 *	50	74.2	59,000 *	55	73.4	59,000 *
50	71.8	59,000 *	50	73.1	59,000 *	55	72.3	59,000 *	60	71.5	59,000 *
55	69.5	59,000 *	55	71.0	59,000 *	60	70.3	59,000 *	65	69.7	59,000 *
60	67.2	59,000 *	60	68.9	59,000 *	65	68.3	59,000 *	70	67.8	57,800
65	64.9	59,000 *	65	66.7	59,000 *	70	66.3	58,000	75	65.9	52,500
70	62.5	58,600	70	64.5	58,200	75	64.3	52,900	80	64.0	48,100
75	60.0	53,600	75	62.3	53,100	80	62.2	48,500	85	62.0	44,300
80	57.5	49,200	80	60.0	48,700	85	60.0	44,500	90	60.0	41,000
85	55.0	45,400	85	57.7	45,000	90	57.9	41,200	95	58.0	37,900
90	52.3	42,100	90	55.3	41,700	95	55.6	38,400	100	55.9	35,300
95	49.5	39,000	95	52.8	38,600	100	53.3	35,700	105	53.8	33,100
100	46.6	36,400	100	50.3	35,900	105	51.0	33,300	110	51.5	30,900
105	43.5	34,200	105	47.6	33,700	110	48.5	31,300	115	49.3	28,900
110	40.3	32,000	110	44.8	31,500	115	45.9	29,300	120	46.9	27,300
115	36.8	30,200	115	41.9	29,500	120	43.3	27,600	125	44.4	25,600
120	33.0	28,400	120	38.8	28,000	125	40.4	26,000	130	41.8	24,300
120.6	32.5	28,200	125	35.4	26,200	130	37.4	24,500	135	39.1	22,900
			130	31.7	24,900	135	34.2	23,100	140	36.2	21,600
			130.6	31.3	24,700	140	30.6	22,000	145	33.1	20,500
						140.6	30.2	21,800	150	29.6	19,400
									150.6	29.2	19,400
170' Boom			180' Boom			190' Boom			200' Boom		
Load Radius (ft)	Boom Angle (deg.)	360° Rated Load (lbs)	Load Radius (ft)	Boom Angle (deg.)	360° Rated Load (lbs)	Load Radius (ft)	Boom Angle (deg.)	360° Rated Load (lbs)	Load Radius (ft)	Boom Angle (deg.)	360° Rated Load (lbs)
37	80.4	59,000 *	38.7	80.4	59,000 *	40.3	80.4	59,000 *	42	80.4	59,000 *
38	80.1	59,000 *	40	80.0	59,000 *	45	79.0	59,000 *	45	79.5	59,000 *
40	79.4	59,000 *	45	78.4	59,000 *	50	77.5	59,000 *	50	78.1	59,000 *
45	77.7	59,000 *	50	76.8	59,000 *	55	76.0	59,000 *	55	76.7	59,000 *
50	76.0	59,000 *	55	75.2	59,000 *	60	74.5	59,000 *	60	75.2	59,000 *
55	74.3	59,000 *	60	73.6	59,000 *	65	72.9	59,000 *	65	73.8	59,000 *
60	72.6	59,000 *	65	72.0	59,000 *	70	71.4	56,700	70	72.3	56,200
65	70.9	59,000 *	70	70.3	56,900	75	69.8	51,400	75	70.9	51,100
70	69.2	57,300	75	68.7	51,800	80	68.2	47,000	80	69.4	46,500
75	67.4	52,000	80	67.0	47,400	85	66.6	43,200	85	67.9	42,800
80	65.6	47,600	85	65.3	43,400	90	65.0	39,900	90	66.3	39,500
85	63.8	43,900	90	63.6	40,100	95	63.4	36,800	95	64.8	36,400
90	61.9	40,600	95	61.8	37,300	100	61.7	34,200	100	63.2	33,700
95	60.0	37,500	100	60.0	34,600	105	60.0	32,000	105	61.6	31,500
100	58.1	34,800	105	58.2	32,200	110	58.3	29,800	110	60.0	29,300
105	56.1	32,600	110	56.4	30,200	115	56.6	27,800	115	58.4	27,300
110	54.1	30,400	115	54.5	28,200	120	54.8	26,000	120	56.7	25,600
115	52.1	28,400	120	52.5	26,500	125	52.9	24,500	125	55.0	24,000
120	49.9	26,700	125	50.5	24,900	130	51.0	22,900	130	53.3	22,500
125	47.7	25,100	130	48.5	23,400	135	49.1	21,600	135	51.5	21,200
130	45.4	23,800	135	46.3	22,000	140	47.1	20,500	140	49.7	20,100
135	43.1	22,500	140	44.1	20,700	145	45.0	19,400	145	47.8	19,000
140	40.6	21,200	145	41.8	19,600	150	42.9	18,300	150	45.9	17,900
145	37.9	20,100	150	39.4	18,500	155	40.6	17,200	155	43.8	16,800
150	35.1	19,000	155	36.8	17,600	160	38.3	16,300	160	41.8	15,900
155	32.1	18,100	160	34.1	16,800	165	35.8	15,400	165	39.6	15,000
155.6	31.7	17,900	165	31.1	15,900	170	33.2	14,800	170	37.3	14,300
			165.6	30.8	15,900	170.6	32.8	14,600	175	34.9	13,400
									180	32.3	12,800
									180.6	32.0	12,800

CK2000-II Auxialary Sheave Rating Loads in Pounds

Refer to notes page 11

11 Counterweight (132,280 + 2 Low Weights (22,050 lbs x 2))

210' Boom			220' Boom			230' Boom			240' Boom		
Load Radius (ft)	Boom Angle (deg.)	360° Rated Load (lbs)	Load Radius (ft)	Boom Angle (deg.)	360° Rated Load (lbs)	Load Radius (ft)	Boom Angle (deg.)	360° Rated Load (lbs)	Load Radius (ft)	Boom Angle (deg.)	360° Rated Load (lbs)
43.7	80.4	59,000 *	45.3	80.4	59,000 *	47	80.4	59,000 *	48.7	80.4	58,200
45	80.0	59,000 *	50	79.2	59,000 *	50	79.7	59,000 *	50	80.1	57,800
50	78.7	59,000 *	55	77.9	59,000 *	55	78.4	59,000 *	55	78.9	56,200
55	77.3	59,000 *	60	76.6	59,000 *	60	77.2	59,000 *	60	77.7	54,700
60	75.9	59,000 *	65	75.3	59,000 *	65	75.9	58,600	65	76.5	53,100
65	74.6	59,000 *	70	73.9	55,800	70	74.6	55,300	70	75.3	51,600
70	73.2	56,000	75	72.6	50,500	75	73.4	50,300	75	74.1	49,800
75	71.8	50,900	80	71.3	46,100	80	72.1	45,900	80	72.9	45,400
80	70.4	46,500	85	69.9	42,300	85	70.8	41,900	85	71.6	41,400
85	68.9	42,500	90	68.6	39,000	90	69.5	38,600	90	70.4	38,100
90	67.5	39,200	95	67.2	35,900	95	68.2	35,700	95	69.1	35,300
95	66.0	36,400	100	65.8	33,300	100	66.9	33,100	100	67.9	32,600
100	64.6	33,700	105	64.4	30,900	105	65.5	30,600	105	66.6	30,200
105	63.1	31,300	110	62.9	28,900	110	64.2	28,400	110	65.3	28,000
110	61.6	29,100	115	61.5	26,900	115	62.8	26,500	115	64.0	26,000
115	60.0	27,300	120	60.0	25,100	120	61.4	24,700	120	62.7	24,300
120	58.5	25,600	125	58.5	23,600	125	60.0	23,100	125	61.4	22,700
125	56.9	23,800	130	57.0	22,000	130	58.6	21,800	130	60.0	21,400
130	55.3	22,500	135	55.5	20,700	135	57.2	20,300	135	58.7	19,800
135	53.6	21,200	140	53.9	19,400	140	55.7	19,200	140	57.3	18,700
140	51.9	19,800	145	52.3	18,300	145	54.2	18,100	145	55.9	17,600
145	50.2	18,700	150	50.7	17,200	150	52.6	17,000	150	54.4	16,500
150	48.4	17,600	155	49.0	16,300	155	51.1	15,900	155	53.0	15,400
155	46.6	16,800	160	47.2	15,400	160	49.5	15,000	160	51.5	14,600
160	44.7	15,700	165	45.5	14,600	165	47.8	14,100	165	49.9	13,700
165	42.7	14,800	170	43.6	13,700	170	46.2	13,200	170	48.4	12,800
170	40.7	14,100	175	41.7	13,000	175	44.4	12,300	175	46.8	11,900
175	38.6	13,200	180	39.7	12,100	180	42.6	11,700	180	45.1	11,000
180	36.4	12,600	185	37.7	11,500	185	40.8	11,000	185	43.5	10,400
185	34.0	11,900	190	35.5	10,800	190	38.8	10,400	190	41.7	9,700
190	31.5	11,200	195	33.2	10,100	195	36.8	9,700	195	39.9	9,000
190.6	31.2	11,000	200	30.8	9,500	200	34.7	9,000	200	38.0	8,400
			200.7	30.4	9,500	205	32.5	8,400	205	36.0	7,900
						205.6	32.2	8,400	210	34.0	7,300
									215	31.8	6,800
									215.6	31.5	6,600

CK2000-II Auxialiry Sheave Rating Loads in Pounds

Refer to notes page 11

11 Counterweight (132,280 + 2 Low Weights (22,050 lbs x 2))

250' Boom			260' Boom			270' Boom					
Load Radius (ft)	Boom Angle (deg.)	360° Rated Load (lbs)	Load Radius (ft)	Boom Angle (deg.)	360° Rated Load (lbs)	Load Radius (ft)	Boom Angle (deg.)	360° Rated Load (lbs)			
50.3	80.4	52,700	52	80.4	47,600	53.7	80.4	47,400			
55	79.3	51,100	55	79.7	46,700	55	80.1	47,200			
60	78.2	49,800	60	78.6	45,400	60	79.1	46,100			
65	77.0	48,300	65	77.5	44,100	65	78.0	44,800			
70	75.9	47,000	70	76.4	42,800	70	76.9	43,900			
75	74.7	45,600	75	75.3	41,400	75	75.9	42,800			
80	73.5	44,500	80	74.2	40,300	80	74.8	41,700			
85	72.4	41,400	85	73.1	39,200	85	73.7	40,800			
90	71.2	37,900	90	71.9	37,700	90	72.6	37,300			
95	70.0	35,100	95	70.8	34,600	95	71.5	34,400			
100	68.8	32,400	100	69.6	32,000	100	70.4	31,700			
105	67.6	30,000	105	68.5	29,500	105	69.3	29,300			
110	66.3	27,800	110	67.3	27,600	110	68.2	27,100			
115	65.1	26,000	115	66.1	25,600	115	67.0	25,400			
120	63.9	24,300	120	64.9	23,800	120	65.9	23,600			
125	62.6	22,500	125	63.7	22,300	125	64.7	21,800			
130	61.3	21,200	130	62.5	20,700	130	63.6	20,500			
135	60.0	19,800	135	61.3	19,400	135	62.4	19,200			
140	58.7	18,500	140	60.0	18,100	140	61.2	17,900			
145	57.4	17,400	145	58.8	17,000	145	60.0	16,800			
150	56.0	16,300	150	57.5	15,900	150	58.8	15,700			
155	54.7	15,200	155	56.2	15,000	155	57.6	14,600			
160	53.3	14,300	160	54.9	13,900	160	56.3	13,400			
165	51.8	13,400	165	53.5	13,000	165	55.1	12,600			
170	50.4	12,600	170	52.2	12,100	170	53.8	11,700			
175	48.9	11,700	175	50.8	11,200	175	52.5	10,800			
180	47.4	10,800	180	49.3	10,400	180	51.1	9,900			
185	45.8	10,100	185	47.9	9,700	185	49.8	9,300			
190	44.2	9,500	190	46.4	9,000	190	48.4	8,600			
195	42.5	8,800	195	44.9	8,400	195	46.9	7,900			
200	40.8	8,200	200	43.3	7,700	200	45.5	7,300			
205	39.1	7,500	205	41.7	7,100	205	44.0	6,600			
210	37.2	7,100	210	40.0	6,600	210	42.5	6,200			
215	35.3	6,600	215	38.3	6,200	215	40.9	5,700			
220	33.3	6,000	220	36.5	5,500	220	39.2	5,100			
225	31.1	5,500	225	34.6	5,100	225	37.5	4,600			
225.7	30.8	5,500	230	32.6	4,600	230	35.8	4,200			
			230.5	32.4	4,600						

CK2000-II Jib Rated Loads in Pounds

Refer to notes page 11

11 Counterweights (132,280 lbs) + 2 Low Weights (22,050 lbs x 2)

80' Boom								80' Boom									
Load Radius (ft.)	40 ft Jib				60 ft Jib				Load Radius (ft.)	80 ft Jib				100 ft Jib			
	10°		30°		10°		30°			10°		30°		10°		30°	
	Boom Angle (deg.)	Rated Load (lbs.)	Boom Angle (deg.)	Rated Load (lbs.)	Boom Angle (deg.)	Rated Load (lbs.)	Boom Angle (deg.)	Rated Load (lbs.)		Boom Angle (deg.)	Rated Load (lbs.)	Boom Angle (deg.)	Rated Load (lbs.)	Boom Angle (deg.)	Rated Load (lbs.)	Boom Angle (deg.)	Rated Load (lbs.)
32	79.4	59,000 *						42	80.4	22,300 *							
34	78.5	59,000 *						44	79.7	22,100 *							
36	77.5	59,000 *						46	79.0	21,900 *				80.3	13,500 *		
38	76.5	59,000 *			80.4	42,900 *		48	78.3	21,800 *			79.6	13,400 *			
40	75.5	58,200 *			79.6	42,600 *		50	77.5	21,600 *			79.0	13,200 *			
42	74.6	56,400 *			78.8	42,400 *		55	75.6	21,200 *			77.3	12,900 *			
44	73.6	54,600 *	79.5	37,900	77.9	42,100 *		60	73.7	20,900 *			75.7	12,700 *			
46	72.6	51,000 *	78.5	37,900	76.3	41,600 *		65	71.8	20,500 *			74.0	12,400 *			
48	71.6	49,200 *	77.5	37,900	75.4	41,400 *		70	69.9	19,700 *	79.0	16,600 *	72.3	11,900 *			
50	70.6	47,000 *	76.4	36,200 *	74.6	40,500 *		75	67.9	19,000 *	76.8	16,200 *	70.5	11,400 *			
55	67.9	44,300 *	73.7	34,300 *	72.3	39,400 *	80.0	28,200 *	80	65.9	18,400 *	74.8	15,800 *	68.8	11,000 *	79.0	9,100 *
60	65.3	41,900 *	71.0	33,200 *	70.1	38,400 *	77.8	26,500 *	85	63.9	17,800 *	72.7	15,400 *	67.1	10,600 *	77.3	8,800 *
65	62.6	39,900 *	68.2	31,700 *	68.0	36,200 *	75.5	25,000 *	90	61.9	17,300 *	70.6	15,100 *	65.4	10,200 *	75.5	8,600 *
70	59.9	38,000 *	65.4	30,300 *	65.7	32,600 *	73.2	23,700 *	95	59.6	16,700 *	68.3	14,700 *	63.5	9,800 *	73.5	8,300 *
75	56.9	36,400 *	62.3	28,900 *	63.3	30,400 *	70.7	22,500 *	100	57.5	16,300 *	66.0	14,200 *	61.6	9,500 *	71.6	8,100 *
80	54.0	34,900 *	59.3	27,800 *	60.9	28,600 *	68.3	21,400 *	105	55.3	15,800 *	63.7	13,600 *	59.8	9,200 *	69.7	7,900 *
85	50.9	33,500 *	56.1	26,800 *	58.5	27,000 *	65.8	20,500 *	110	53.0	15,400 *	61.3	13,100 *	57.9	8,900 *	67.7	7,700 *
90	47.7	32,200 *	52.7	25,900 *	56.1	25,500 *	63.2	19,600 *	115	50.4	15,000 *	58.7	12,700 *	55.8	8,600 *	65.6	7,500 *
95	44.1	31,000 *	48.9	25,000 *	53.3	24,200 *	60.3	18,800 *	120	48.0	14,700 *	56.1	12,200 *	53.8	8,400 *	63.5	7,400 *
100	40.4	29,900 *	45.0	24,400 *	50.7	23,000 *	57.5	18,200 *	125	45.4	14,400 *	53.3	11,900 *	51.8	8,100 *	61.3	7,200 *
105	36.4	28,900 *	40.8	23,800 *	47.9	21,900 *	54.6	17,500 *	130	42.7	14,100 *	50.4	11,500 *	49.6	7,900 *	59.1	7,100 *
110	32.0	28,000 *	35.9	23,400 *	44.9	20,900 *	51.5	17,000 *	135	39.8	13,800 *	47.3	11,200 *	47.4	7,700 *	56.8	6,900 *
115					41.6	20,100 *	47.9	16,500 *	140	36.5	13,600 *	43.7	11,000 *	45.0	7,500 *	54.2	6,800 *
120					38.2	19,300 *	44.3	16,000 *	145	33.0	13,400 *	39.9	10,700 *	42.6	7,300 *	51.7	6,700 *
125					34.6	18,500 *	40.3	15,700 *	150			35.4	10,500 *	40.0	7,100 *	48.9	6,600 *
130					30.5	18,000 *	35.6	15,400 *	155					37.3	7,000 *	46.0	6,600 *
									160					34.2	6,900 *	42.6	6,500 *
									165					31.0	6,700 *	39.0	6,500 *
									170					34.9	6,500 *		

90' Boom								90' Boom									
Load Radius (ft.)	40 ft Jib				60 ft Jib				Load Radius (ft.)	80 ft Jib				100 ft Jib			
	10°		30°		10°		30°			10°		30°		10°		30°	
	Boom Angle (deg.)	Rated Load (lbs.)	Boom Angle (deg.)	Rated Load (lbs.)	Boom Angle (deg.)	Rated Load (lbs.)	Boom Angle (deg.)	Rated Load (lbs.)		Boom Angle (deg.)	Rated Load (lbs.)	Boom Angle (deg.)	Rated Load (lbs.)	Boom Angle (deg.)	Rated Load (lbs.)	Boom Angle (deg.)	Rated Load (lbs.)
32	80.2	59,000 *						44	80.3	22,200 *							
34	79.4	59,000 *						46	79.7	22,100 *							
36	78.5	59,000 *						48	79.0	21,900 *				80.2	13,500 *		
38	77.6	59,000 *			80.3	42,800 *		50	78.3	21,800 *			79.6	13,400 *			
40	76.7	55,000 *			79.5	42,600 *		55	76.5	21,400 *			78.0	13,100 *			
42	75.8	54,000 *			78.8	42,400 *		60	74.7	21,000 *			76.4	12,800 *			
44	74.9	53,000 *	80.4	37,900	78.0	42,200 *		65	73.0	20,700 *			74.9	12,500 *			
46	74.0	51,000 *	79.4	37,900	77.2	41,600 *		70	71.2	20,200 *	79.7	16,800 *	73.3	12,200 *			
48	73.1	50,000 *	78.5	37,900	76.4	41,300 *		75	69.3	19,500 *	77.7	16,400 *	71.6	11,700 *			
50	72.2	48,600 *	77.6	36,600 *	75.6	40,900 *		80	67.4	18,800 *	75.8	16,000 *	70.0	11,300 *	79.7	9,200 *	
55	69.7	45,900 *	75.0	35,300 *	73.5	39,900 *		85	65.6	18,300 *	73.9	15,600 *	68.4	10,900 *	78.0	8,900 *	
60	67.3	43,500 *	72.6	34,200 *	71.5	39,000 *	78.7	27,200 *	90	63.7	17,700 *	71.9	15,300 *	66.8	10,500 *	76.3	8,700 *
65	64.9	41,500 *	70.1	32,800 *	69.5	37,200 *	76.6	25,700 *	95	61.6	17,200 *	69.8	15,000 *	65.0	10,100 *	74.5	8,400 *
70	62.5	39,600 *	67.6	31,300 *	67.5	34,600 *	74.5	24,400 *	100	59.7	16,700 *	67.8	14,600 *	63.3	9,800 *	72.7	8,200 *
75	59.8	38,000 *	64.8	30,000 *	65.2	32,400 *	72.2	23,200 *	105	57.7	16,300 *	65.7	14,000 *	61.6	9,500 *	71.0	8,000 *
80	57.2	36,500 *	62.2	28,800 *	63.1	30,400 *	70.0	22,100 *	110	55.6	15,900 *	63.5	13,600 *	59.8	9,200 *	69.2	7,800 *
85	54.5	35,100 *	59.4	27,800 *	60.9	28,700 *	67.7	21,200 *	115	53.3	15,500 *	61.1	13,100 *	57.9	8,900 *	67.2	7,600 *
90	51.7	33,800 *	56.5	26,900 *	58.7	27,100 *	65.4	20,300 *	120	51.1	15,100 *	58.8	12,700 *	56.1	8,600 *	65.3	7,500 *
95	48.6	32,600 *	53.3	25,900 *	56.2	25,800 *	62.8	19,500 *	125	48.8	14,800 *	56.4	12,300 *	54.2	8,400 *	63.3	7,300 *
100	45.6	31,500 *	50.0	25,200 *	53.8	24,500 *	60.3	18,800 *	130	46.4	14,500 *	53.9	11,900 *	52.3	8,200 *	61.3	7,200 *
105	42.3	30,500 *	46.6	24,600 *	51.4	23,400 *	57.8	18,200 *	135	44.0	14,200 *	51.2	11,600 *	50.3	7,900 *	59.2	7,100 *
110	38.8	29,600 *	42.9	24,000 *	48.8	22,300 *	55.1	17,600 *	140	41.2	13,900 *	48.2	11,300 *	48.1	7,700 *	56.9	6,900 *
115	34.8	28,500 *			46.0	21,400 *	52.1	17,100 *	145	38.3	13,700 *	45.2	11,000 *	46.0	7,600 *	54.7	6,800 *
120	30.5	27,500 *			43.1	20,600 *	49.1	16,600 *	150	35.3	13,500 *	41.9	10,800 *	43.7	7,400 *	52.3	6,700 *
125					40.1	19,800 *	45.9	16,200 *	155					41.4	7,200 *	49.8	6,700 *
130					36.9	19,100 *	42.4	15,900 *	160					38.8	7,100 *	47.0	6,600 *
135					33.4	18,500 *			165					36.1	6,900 *	44.1	6,500 *
140					29.2	17,900 *			170					33.3	6,800 *	41.0	6,500 *

CK2000-II Jib Rated Loads in Pounds

Refer to notes page 11

11 Counterweights (132,280 lbs) + 2 Low Weights (22,050 lbs x 2)

100' Boom								100' Boom									
Load Radius (ft.)	40 ft Jib				60 ft Jib				Load Radius (ft.)	80 ft Jib				100 ft Jib			
	10°		30°		10°		30°			10°		30°		10°		30°	
	Boom Angle (deg.)	Rated Load (lbs.)	Boom Angle (deg.)	Rated Load (lbs.)	Boom Angle (deg.)	Rated Load (lbs.)	Boom Angle (deg.)	Rated Load (lbs.)		Boom Angle (deg.)	Rated Load (lbs.)	Boom Angle (deg.)	Rated Load (lbs.)	Boom Angle (deg.)	Rated Load (lbs.)	Boom Angle (deg.)	Rated Load (lbs.)
34	80.1	59,000 *							46	80.2	22,200 *						
36	79.3	58,200							48	79.6	22,000 *						
38	78.5	57,400							50	79.0	21,900 *			80.1	13,400 *		
40	77.7	56,600			80.2	42,800 *			55	77.2	21,500 *			78.6	13,100 *		
42	76.8	55,500			79.5	42,600 *			60	75.6	21,200 *			77.1	12,900 *		
44	76.0	54,400 *			78.7	42,400 *			65	74.0	20,900 *			75.7	12,600 *		
46	75.2	52,200 *	80.2	37,900	78.0	42,100 *			70	72.3	20,600 *	80.3	16,900 *	74.2	12,400 *		
48	74.3	51,200 *	79.4	37,900	77.3	41,900 *			75	70.5	19,900 *	78.5	16,500 *	72.6	12,000 *		
50	73.5	50,200 *	78.5	37,100	76.6	41,300 *			80	68.8	19,300 *	76.7	16,100 *	71.1	11,600 *	80.3	9,300 *
55	71.2	47,600 *	76.2	35,900 *	74.6	40,300 *			85	67.1	18,700 *	74.9	15,800 *	69.6	11,200 *	78.7	9,000 *
60	69.0	45,200 *	74.0	34,800 *	72.8	39,400 *	79.5	27,800 *	90	65.3	18,200 *	73.1	15,500 *	68.0	10,800 *	77.1	8,800 *
65	66.9	43,100 *	71.7	33,800 *	70.9	38,600 *	77.5	26,300 *	95	63.4	17,600 *	71.1	15,100 *	66.4	10,400 *	75.4	8,600 *
70	64.6	41,200 *	69.4	32,300 *	69.0	36,300 *	75.6	25,000 *	100	61.6	17,200 *	69.2	14,900 *	64.8	10,100 *	73.7	8,300 *
75	62.2	39,500 *	66.9	31,000 *	66.9	34,000 *	73.4	23,800 *	105	59.7	16,700 *	67.3	14,400 *	63.2	9,700 *	72.1	8,100 *
80	59.8	37,900 *	64.5	29,800 *	64.9	31,900 *	71.4	22,800 *	110	57.8	16,300 *	65.3	14,000 *	61.5	9,400 *	70.4	8,000 *
85	57.4	36,600 *	62.0	28,700 *	62.9	30,200 *	69.3	21,800 *	115	55.8	15,900 *	63.2	13,500 *	59.8	9,100 *	68.6	7,800 *
90	55.0	35,300 *	59.5	27,800 *	60.9	28,500 *	67.2	21,000 *	120	53.8	15,500 *	61.1	13,100 *	58.1	8,900 *	66.8	7,600 *
95	52.2	34,100 *	56.6	26,900 *	58.6	27,100 *	64.9	20,200 *	125	51.7	15,200 *	58.9	12,700 *	56.3	8,600 *	65.0	7,500 *
100	49.6	33,000 *	53.9	26,100 *	56.5	25,800 *	62.7	19,500 *	130	49.6	14,900 *	56.7	12,300 *	54.5	8,400 *	63.1	7,300 *
105	46.8	31,900	51.0	25,400 *	54.3	24,600 *	60.4	18,800 *	135	47.4	14,600 *	54.4	12,000 *	52.7	8,200 *	61.3	7,200 *
110	43.8	30,900	47.9	24,800 *	52.0	23,500 *	58.0	18,200 *	140	44.9	14,300 *	51.8	11,700 *	50.7	8,000 *	59.2	7,100 *
115	40.5	30,000	44.4	24,200 *	49.5	22,500 *	55.3	17,700 *	145	42.5	14,000 *	49.2	11,400 *	48.8	7,800 *	57.1	6,900 *
120	37.2	29,100	40.8	23,700 *	47.0	21,700 *	52.7	17,200 *	150	39.9	13,800 *	46.4	11,100 *	46.8	7,600 *	55.0	6,800 *
125	33.5	28,000			44.4	20,900 *	50.0	16,700 *	155	37.2	13,600 *	43.5	10,900 *	44.7	7,500 *	52.8	6,700 *
130	29.4	27,000			41.7	20,100 *	47.1	16,300 *	160	34.1	13,400 *	40.0	10,700 *	42.4	7,300 *	50.4	6,700 *
135					38.8	19,400 *	44.0	16,000 *	165					40.1	7,100 *	48.0	6,600 *
140					35.5	18,800 *	40.4	15,700 *	170					37.7	7,000 *	45.4	6,500 *
									175					35.2	6,900 *	42.6	6,500 *
									180					32.2	6,700 *	39.3	6,400 *

110' Boom								110' Boom									
Load Radius (ft.)	40 ft Jib				60 ft Jib				Load Radius (ft.)	80 ft Jib				100 ft Jib			
	10°		30°		10°		30°			10°		30°		10°		30°	
	Boom Angle (deg.)	Rated Load (lbs.)	Boom Angle (deg.)	Rated Load (lbs.)	Boom Angle (deg.)	Rated Load (lbs.)	Boom Angle (deg.)	Rated Load (lbs.)		Boom Angle (deg.)	Rated Load (lbs.)	Boom Angle (deg.)	Rated Load (lbs.)	Boom Angle (deg.)	Rated Load (lbs.)	Boom Angle (deg.)	Rated Load (lbs.)
36	80.0	59,000 *							48	80.2	22,200 *						
38	79.3	58,400							50	79.6	22,000 *						
40	78.5	57,800							55	77.9	21,600 *			79.1	13,200 *		
42	77.7	56,700			80.1	42,700 *			60	76.4	21,300 *			77.8	13,000 *		
44	77.0	55,600			79.4	42,500 *			65	74.8	21,000 *			76.4	12,700 *		
46	76.2	53,600			78.7	42,100 *			70	73.3	20,700 *			75.0	12,500 *		
48	75.4	52,600 *	80.1	37,900	78.1	41,800 *			75	71.6	20,300 *	79.1	16,600	73.5	12,300 *		
50	74.6	51,600 *	79.3	37,500	77.4	41,600 *			80	70.0	19,700 *	77.5	16,300 *	72.0	11,800 *		
55	72.5	49,000 *	77.2	36,400	75.5	40,700 *			85	68.4	19,100 *	75.8	15,900 *	70.6	11,400 *	79.3	9,100 *
60	70.5	46,700 *	75.1	35,300 *	73.8	39,900 *	80.1	28,300 *	90	66.7	18,600 *	74.1	15,600 *	69.1	11,000 *	77.8	8,900 *
65	68.5	44,600 *	73.1	34,400 *	72.1	39,000 *	78.3	26,900 *	95	64.9	18,000 *	72.3	15,300 *	67.6	10,600 *	76.2	8,600 *
70	66.4	42,700 *	71.0	33,200 *	70.3	37,900 *	76.5	25,600 *	100	63.2	17,600 *	70.5	15,000 *	66.1	10,300 *	74.6	8,400 *
75	64.2	41,000 *	68.7	31,900 *	68.4	35,600 *	74.5	24,400 *	105	61.5	17,100 *	68.7	14,800 *	64.6	10,000 *	73.1	8,200 *
80	62.1	39,400 *	66.5	30,700 *	66.5	33,500 *	72.6	23,400 *	110	59.8	16,700 *	66.9	14,300 *	63.0	9,700 *	71.5	8,100 *
85	59.9	37,900	64.2	29,600 *	64.7	31,600 *	70.7	22,400 *	115	57.9	16,300 *	64.9	13,800 *	61.4	9,400 *	69.8	7,900 *
90	57.7	36,600	61.9	28,700 *	62.8	29,900 *	68.8	21,600 *	120	56.0	15,900 *	63.0	13,400 *	59.8	9,100 *	68.1	7,700 *
95	55.2	35,400	59.4	27,700 *	60.7	28,500 *	66.7	20,800 *	125	54.1	15,600 *	61.1	13,000 *	58.2	8,900 *	66.5	7,600 *
100	52.8	34,300	56.9	26,900 *	58.8	27,100 *	64.6	20,100 *	130	52.2	15,300 *	59.0	12,700 *	56.5	8,700 *	64.8	7,400 *
105	50.4	33,300	54.4	26,200 *	56.7	25,900 *	62.5	19,400 *	135	50.2	15,000 *	56.9	12,300 *	54.9	8,400 *	63.0	7,300 *
110	47.8	32,300	51.7	25,500 *	54.7	24,700 *	60.4	18,800 *	140	48.0	14,700 *	54.6	12,000 *	53.0	8,200 *	61.1	7,200 *
115	45.0	30,900	48.8	24,900 *	52.4	23,700 *	58.0	18,200 *	145	45.9	14,400 *	52.4	11,700 *	51.2	8,000 *	59.2	7,100 *
120	42.1	29,500	45.8	24,400 *	50.2	22,800 *	55.7	17,700 *	150	43.6	14,200 *	50.0	11,400 *	49.4	7,800 *	57.3	6,900 *
125	39.1	27,900			47.9	21,900 *	53.3	17,300 *	155	41.3	13,900 *	47.5	11,200 *	47.6	7,700 *	55.4	6,800 *
130	35.9	26,500			45.5	21,100 *	50.8	16,800 *	160	38.7	13,700 *	44.6	11,000 *	45.5	7,500 *	53.2	6,700 *
135					43.1	20,400 *	48.2	16,500 *	165	36.0	13,500 *			43.5	7,300 *	51.0	6,700 *
140					40.3	19,700 *	45.2	16,100 *	170	33.2	13,400 *			41.4	7,200 *	48.8	6,600 *
145					37.5	19,100 *			175					39.1	7,100 *	46.4	6,500 *
150					34.4	18,600 *			180					36.6	6,900 *	43.7	6,500 *
									185					34.2	6,800 *		
									190					31.5	6,700 *		

CK2000-II Jib Rated Loads in Pounds

Refer to notes page 11

11 Counterweights (132,280 lbs) + 2 Low Weights (22,050 lbs x 2)

Load Radius (ft.)		140' Boom								140' Boom							
		40 ft Jib				60 ft Jib				80 ft Jib				100 ft Jib			
		10°		30°		10°		30°		10°		30°		10°		30°	
Boom Angle (deg.)	Rated Load (lbs.)	Boom Angle (deg.)	Rated Load (lbs.)	Boom Angle (deg.)	Rated Load (lbs.)	Boom Angle (deg.)	Rated Load (lbs.)	Boom Angle (deg.)	Rated Load (lbs.)	Boom Angle (deg.)	Rated Load (lbs.)	Boom Angle (deg.)	Rated Load (lbs.)	Boom Angle (deg.)	Rated Load (lbs.)		
40	80.4	59,000 *								79.6	22,000 *						
42	79.8	58,800								78.3	21,700 *			79.3	13,200 *		
44	79.2	58,600								65	21,400 *			78.1	13,000 *		
46	78.5	57,400								70	21,100 *			76.9	12,800 *		
48	77.9	56,400			79.9	42,500 *				75	20,900 *			75.6	12,600 *		
50	77.2	55,400			79.3	42,400 *				80	20,600 *	79.3	16,600 *	74.4	12,400 *		
55	75.5	53,000 *	79.4	37,600	77.8	41,600 *				85	20,200 *	77.9	16,300 *	73.1	12,100 *		
60	73.9	50,600 *	77.8	36,600	76.3	40,900 *				90	19,700 *	76.5	16,000 *	71.9	11,700 *		
65	72.2	48,500 *	76.1	35,700 *	74.8	40,100 *	80.2	28,300 *		95	19,200 *	75.0	15,700 *	70.5	11,400 *		
70	70.6	46,600 *	74.4	34,900 *	73.4	39,400 *	78.7	27,100 *		100	18,700 *	73.5	15,500 *	69.3	11,000 *		
75	68.8	44,800	72.6	34,100 *	71.8	38,700 *	77.0	25,900 *		105	18,200 *	72.1	15,200 *	68.0	10,700 *		
80	67.1	43,200	70.8	33,100 *	70.3	37,700 *	75.5	24,900 *		110	17,800 *	70.6	15,000 *	66.7	10,400 *		
85	65.3	41,700	69.1	32,000 *	68.7	35,700 *	73.9	24,000 *		115	17,400 *	69.0	14,800 *	65.3	10,100 *		
90	63.6	40,300	67.3	31,000 *	67.2	33,900 *	72.3	23,200 *		120	17,000 *	67.4	14,400 *	64.0	9,800 *		
95	61.7	38,400	65.3	30,000 *	65.5	32,300 *	70.6	22,400 *		125	16,700 *	65.9	14,000 *	62.6	9,600 *		
100	59.9	36,500	63.4	29,200 *	63.9	30,700 *	69.0	21,600 *		130	16,300 *	64.3	13,600 *	61.3	9,300 *		
105	58.0	34,100	61.5	28,400 *	62.3	29,400 *	67.3	21,000 *		135	16,000 *	62.6	13,300 *	59.9	9,100 *		
110	56.1	32,000	59.6	27,700 *	60.7	28,100 *	65.7	20,300 *		140	15,700 *	60.9	12,900 *	58.4	8,900 *		
115	54.0	30,000	57.5	27,000 *	58.9	27,000 *	63.8	19,800 *		145	15,400 *	59.2	12,600 *	57.0	8,700 *		
120	52.0	28,300	55.4	26,400 *	57.2	26,000 *	62.1	19,200 *		150	15,100 *	57.4	12,300 *	55.5	8,500 *		
125	50.0	26,700	53.3	25,800 *	55.5	25,000 *	60.3	18,700 *		155	14,900 *	55.6	12,100 *	54.0	8,300 *		
130	47.9	25,200	51.1	25,300 *	53.7	24,100 *	58.4	18,300 *		160	14,600 *	53.6	11,800 *	52.4	8,100 *		
135	45.7	23,900	48.8	24,300	51.9	23,300	56.5	17,900 *		165	14,400 *	51.7	11,600 *	50.9	7,900 *		
140	43.2	22,600	46.2	22,900	49.9	22,500	54.5	17,400 *		170	14,200 *	49.7	11,400 *	49.3	7,800 *		
145	40.8	21,500	43.7	21,800	48.0	21,700	52.4	17,100 *		175	14,000 *	47.6	11,200 *	47.6	7,600 *		
150	38.3	20,400	41.0	20,700	46.0	20,900	50.3	16,700 *		180	13,800 *	45.3	11,000 *	45.8	7,500 *		
155	35.5	19,400			43.9	19,900	48.2	16,400 *		185	13,600 *	42.9	10,800 *	44.1	7,300 *		
160	32.4	18,500			41.6	18,900	45.7	16,100 *		190	13,500 *	40.4	10,700 *	42.3	7,200 *		
165					39.3	18,000	43.3	15,900 *		195	13,300 *			40.4	7,100 *		
170					36.9	17,200	40.7	15,700 *		200	13,200 *			38.3	7,000 *		
175					34.3	16,400				205				36.3	6,900 *		
180					31.4	15,700				210				34.1	6,800 *		
										215				31.8	6,700 *		
										220				29.1	6,600 *		

Load Radius (ft.)		150' Boom								150' Boom							
		40 ft Jib				60 ft Jib				80 ft Jib				100 ft Jib			
		10°		30°		10°		30°		10°		30°		10°		30°	
Boom Angle (deg.)	Rated Load (lbs.)	Boom Angle (deg.)	Rated Load (lbs.)	Boom Angle (deg.)	Rated Load (lbs.)	Boom Angle (deg.)	Rated Load (lbs.)	Boom Angle (deg.)	Rated Load (lbs.)	Boom Angle (deg.)	Rated Load (lbs.)	Boom Angle (deg.)	Rated Load (lbs.)	Boom Angle (deg.)	Rated Load (lbs.)		
42	80.3	59,000 *								80.1	22,100 *						
44	79.7	59,000 *								78.8	21,800 *			79.8	13,300 *		
46	79.1	58,200								65	21,500 *			78.6	13,100 *		
48	78.5	57,400			80.4	42,700 *				70	21,200 *			77.4	12,900 *		
50	77.9	56,600			79.8	42,500 *				75	21,000 *			76.2	12,700 *		
55	76.3	54,000 *	80.0	37,900	78.4	41,900 *				80	20,700 *	79.8	16,700 *	75.0	12,500 *		
60	74.8	51,800 *	78.4	37,000	77.0	41,100 *				85	20,500 *	78.5	16,400 *	73.8	12,300 *		
65	73.2	49,600 *	76.9	36,100 *	75.6	40,400 *				90	20,300 *	77.2	16,200 *	72.6	11,900 *		
70	71.6	47,700 *	75.3	35,300 *	74.2	39,700 *	79.3	27,500 *		95	19,900 *	75.7	15,900 *	71.4	11,600 *		
75	70.0	45,900	73.6	34,500 *	72.7	39,000 *	77.7	26,300 *		100	19,700 *	74.3	15,600 *	70.1	11,200 *		
80	68.4	44,300	71.9	33,800 *	71.2	38,400 *	76.2	25,400 *		105	19,500 *	72.9	15,400 *	68.9	10,900 *		
85	66.7	42,800	70.3	32,700 *	69.8	37,000 *	74.8	24,500 *		110	19,300 *	71.5	15,200 *	67.7	10,600 *		
90	65.1	41,400	68.6	31,700 *	68.4	35,100 *	73.3	23,600 *		115	19,100 *	70.0	14,900 *	66.4	10,300 *		
95	63.3	38,700	66.8	30,700 *	66.8	33,500 *	71.7	22,800 *		120	18,900 *	68.6	14,700 *	65.1	10,000 *		
100	61.6	36,100	65.0	29,900 *	65.3	31,900 *	70.1	22,100 *		125	18,700 *	67.1	14,300 *	63.8	9,800 *		
105	59.9	33,800	63.3	29,100 *	63.8	30,550 *	68.6	21,400 *		130	18,500 *	65.6	13,900 *	62.5	9,500 *		
110	58.2	31,700	61.5	28,400 *	62.2	29,200 *	67.0	20,800 *		135	18,300 *	64.1	13,600 *	61.2	9,300 *		
115	56.2	29,600	59.5	27,600 *	60.6	28,100 *	65.3	20,200 *		140	18,100 *	62.4	13,200 *	59.8	9,100 *		
120	54.4	27,900	57.6	27,000 *	59.0	27,000 *	63.7	19,700 *		145	17,900 *	60.8	12,900 *	58.5	8,900 *		
125	52.5	26,300	55.7	26,400 *	57.4	26,000 *	62.0	19,200 *		150	17,700 *	59.2	12,600 *	57.1	8,700 *		
130	50.6	24,900	53.7	25,400	55.7	25,100	60.3	18,700 *		155	17,500 *	57.6	12,300 *	55.7	8,500 *		
135	48.6	23,500	51.7	24,000	54.1	23,900	58.5	18,300 *		160	17,300 *	55.7	12,100 *	54.2	8,300 *		
140	46.4	22,200	49.4	22,600	52.2	22,700	56.6	17,900 *		165	17,100 *	54.0	11,800 *	52.8	8,100 *		
145	44.3	21,100	47.2	21,500	50.4	21,600	54.8	17,500 *		170	16,900 *	52.2	11,600 *	51.3	8,000 *		
150	42.0	20,000	44.8	20,300	48.6	20,500	52.9	17,100 *		175	16,700 *	50.3	11,400 *	49.8	7,800 *		
155	39.7	19,000	42.4	19,300	46.8	19,500	50.9	16,800 *		180	16,500 *	48.2	11,200 *	48.1	7,700 *		
160	37.1	18,100	39.6	18,300	44.7	18,500	48.8	16,500 *		185	16,300 *	46.2	11,000 *	46.5	7,500 *		
165	34.4	17,200			42.7	17,700	46.6	16,200 *		190	16,100 *	44.0	10,900 *	44.9	7,400 *		
170	31.6	16,400			40.5	16,800	44.4	16,000 *		195	15,900 *			43.2	7,300 *		
175					38.3	16,100	42.1	15,800 *		200	15,700 *			41.3	7,100 *		
180					35.8	15,300	39.4	15,500 *		205	15,500 *			39.5	7,000 *		
185					33.3	14,700				210	15,300 *			37.5	6,900 *		
190					30.6	14,000				215	15,100 *			35.5	6,800 *		
										220	14,900 *			33.3	6,700 *		

CK2000-II Jib Rated Loads in Pounds

Refer to notes page 11

11 Counterweights (132,280 lbs) + 2 Low Weights (22,050 lbs x 2)

180' Boom				60 ft Jib				180' Boom				100 ft Jib					
Load Radius (ft.)	40 ft Jib				60 ft Jib				Load Radius (ft.)	80 ft Jib				100 ft Jib			
	10°		30°		10°		30°			10°		30°		10°		30°	
	Boom Angle (deg.)	Rated Load (lbs.)	Boom Angle (deg.)	Rated Load (lbs.)	Boom Angle (deg.)	Rated Load (lbs.)	Boom Angle (deg.)	Rated Load (lbs.)		Boom Angle (deg.)	Rated Load (lbs.)	Boom Angle (deg.)	Rated Load (lbs.)	Boom Angle (deg.)	Rated Load (lbs.)	Boom Angle (deg.)	Rated Load (lbs.)
48	80.1	59,000 *							60	80.1	22,000 *						
50	79.6	59,000 *							65	79.0	21,800 *			79.8	13,200 *		
55	78.2	57,100			79.8	42,400 *			70	77.9	21,500 *			78.8	13,100 *		
60	76.9	54,800	80.1	37,900	78.6	41,800 *			75	76.7	21,300 *			77.7	12,900 *		
65	75.6	52,800 *	78.7	37,100	77.4	41,200 *			80	75.6	21,100 *			76.7	12,700 *		
70	74.2	50,800 *	77.4	36,400	76.2	40,500 *			85	74.4	20,800 *	79.9	16,700 *	75.6	12,500 *		
75	72.8	49,100 *	75.9	35,600 *	74.9	39,900 *	79.3	27,500 *	90	73.3	20,600 *	78.8	16,400 *	74.6	12,300 *		
80	71.4	47,400	74.6	35,000 *	73.7	39,300 *	78.1	26,600 *	95	72.1	20,400 *	77.5	16,200 *	73.4	12,100 *	79.9	9,100 *
85	70.1	44,000	73.2	34,300 *	72.4	38,800 *	76.8	25,700 *	100	70.9	19,900 *	76.3	15,900 *	72.4	11,800 *	78.8	8,900 *
90	68.7	40,700	71.8	33,600 *	71.2	38,200 *	75.5	24,900 *	105	69.7	19,500 *	75.1	15,700 *	71.3	11,500 *	77.7	8,800 *
95	67.2	37,500	70.3	32,600 *	69.9	36,700	74.2	24,100 *	110	68.6	19,100 *	73.9	15,500 *	70.2	11,200 *	76.6	8,600 *
100	65.8	34,900	68.8	31,700 *	68.6	35,200	72.9	23,400 *	115	67.3	18,700 *	72.6	15,300 *	69.1	10,900 *	75.4	8,400 *
105	64.4	32,600	67.4	30,900 *	67.3	33,100	71.6	22,700 *	120	66.1	18,300 *	71.4	15,100 *	68.0	10,600 *	74.3	8,300 *
110	62.9	30,400	65.9	30,200 *	66.0	31,100	70.2	22,100 *	125	64.9	17,900 *	70.1	14,900 *	66.9	10,400 *	73.2	8,100 *
115	61.4	28,400	64.3	29,300	64.6	29,000	68.8	21,500 *	130	63.7	17,600 *	68.9	14,700 *	65.7	10,100 *	72.0	8,000 *
120	59.9	26,700	62.8	27,500	63.3	27,200	67.4	20,900 *	135	62.4	17,300 *	67.6	14,400 *	64.6	9,900 *	70.8	7,900 *
125	58.4	25,100	61.2	25,800	61.9	25,600	66.1	20,400 *	140	61.1	16,900 *	66.2	14,000 *	63.4	9,700 *	69.6	7,800 *
130	56.8	23,600	59.7	24,300	60.6	24,200	64.7	20,000 *	145	59.8	16,600 *	64.9	13,700 *	62.2	9,500 *	68.4	7,600 *
135	55.3	22,300	58.1	22,900	59.2	22,800	63.2	19,500 *	150	58.5	16,300 *	63.5	13,400 *	61.1	9,200 *	67.2	7,500 *
140	53.6	21,000	56.3	21,500	57.7	21,500	61.7	19,000 *	155	57.2	16,100 *	62.2	13,100 *	59.9	9,100 *	66.0	7,400 *
145	51.9	19,800	54.6	20,400	56.3	20,300	60.2	18,700 *	160	55.8	15,800 *	60.7	12,800 *	58.6	8,900 *	64.7	7,300 *
150	50.3	18,800	52.9	19,300	54.8	19,300	58.7	18,300 *	165	54.4	15,500 *	59.3	12,600 *	57.4	8,700 *	63.4	7,200 *
155	48.5	17,800	51.1	18,200	53.3	18,300	57.2	17,900 *	170	53.0	15,300 *	57.9	12,300 *	56.2	8,500 *	62.1	7,100 *
160	46.7	16,800	49.2	17,200	51.7	17,300	55.5	17,600 *	175	51.6	15,100 *	56.4	12,100 *	54.9	8,400 *	60.8	7,100 *
165	44.8	15,900	47.3	16,300	50.2	16,400	53.9	17,300 *	180	50.1	14,700	54.8	11,900 *	53.6	8,200 *	59.4	7,000 *
170	42.9	15,100	45.4	15,500	48.6	15,600	52.3	16,400	185	48.6	14,000	53.2	11,700 *	52.3	8,000 *	58.1	6,900 *
175	41.0	14,400	43.3	14,700	46.9	14,800	50.6	15,600	190	47.1	13,400	51.6	11,500 *	50.9	7,900 *	56.7	6,800 *
180	38.8	13,600	41.0	13,900	45.1	14,100	48.7	14,800	195	45.5	12,800	50.0	11,400 *	49.6	7,800 *	55.3	6,700 *
185	36.6	12,900			43.4	13,400	46.9	14,100	200	43.8	12,100	48.2	11,200 *	48.1	7,600 *	53.8	6,700 *
190	34.3	12,300			41.6	12,800	45.0	13,400	205	42.1	11,600	46.4	11,000 *	46.7	7,500 *	52.3	6,600 *
195					39.7	12,200	43.0	12,800	210	40.4	11,100	44.6	10,900 *	45.2	7,400 *	50.7	6,600 *
200					37.6	11,600	40.8	12,100	215	38.6	10,600	42.7	10,800 *	43.7	7,300 *	49.2	6,500 *
205					35.6	11,000			220	36.6	10,100	40.6	10,500	42.1	7,200 *	47.4	6,500 *
210					33.4	10,500			225	34.6	9,600			40.5	7,100 *	45.8	6,400 *
									230	32.5	9,200			38.9	7,000 *	44.0	6,400 *
									235					37.1	6,900 *	42.2	6,400 *
									240					35.2	6,800 *	40.1	6,400 *
									245					33.3	6,700 *		
									250					31.3	6,700 *		

CK2000-II Jib Rated Loads in Pounds

Refer to notes page 11

11 Counterweights (132,280 lbs) + 2 Low Weights (22,050 lbs x 2)

190' Boom				60 ft Jib				190' Boom				100 ft Jib						
Load Radius (ft.)	40 ft Jib		60 ft Jib		80 ft Jib		100 ft Jib		Load Radius (ft.)	80 ft Jib		100 ft Jib		Load Radius (ft.)	80 ft Jib		100 ft Jib	
	10°		30°		10°		30°			10°		30°			10°		30°	
	Boom Angle (deg.)	Rated Load (lbs.)	Boom Angle (deg.)	Rated Load (lbs.)	Boom Angle (deg.)	Rated Load (lbs.)	Boom Angle (deg.)	Rated Load (lbs.)		Boom Angle (deg.)	Rated Load (lbs.)	Boom Angle (deg.)	Rated Load (lbs.)		Boom Angle (deg.)	Rated Load (lbs.)	Boom Angle (deg.)	Rated Load (lbs.)
50	80.0	59,000 *							65	79.4	21,800 *			80.2	13,300 *			
55	78.7	58,000			80.2	42,500			70	78.4	21,600 *			79.2	13,100 *			
60	77.5	55,800			79.1	42,000 *			75	77.2	21,400 *			78.1	12,900 *			
65	76.2	53,700	79.3	37,400	77.9	41,400 *			80	76.1	21,100 *			77.1	12,700 *			
70	74.9	51,800	78.0	36,600	76.8	40,800 *			85	75.0	20,900 *	80.3	16,800 *	76.1	12,600 *			
75	73.6	50,000	76.6	35,900 *	75.5	40,200 *	79.8	27,800 *	90	73.9	20,700 *	79.2	16,500 *	75.1	12,400 *			
80	72.3	47,500	75.3	35,300 *	74.4	39,600 *	78.6	26,900 *	95	72.8	20,500 *	78.0	16,300 *	74.0	12,200 *	80.3	9,100 *	
85	71.0	43,700	74.0	34,600 *	73.2	39,000 *	77.4	26,100 *	100	71.7	20,200 *	76.9	16,000 *	73.0	12,000 *	79.2	9,000 *	
90	69.7	40,300	72.6	34,000 *	72.0	38,500 *	76.2	25,200 *	105	70.5	19,800 *	75.7	15,800 *	72.0	11,700 *	78.2	8,800 *	
95	68.3	37,200	71.2	33,100 *	70.7	36,800	74.9	24,400 *	110	69.4	19,400 *	74.6	15,600 *	70.9	11,400 *	77.1	8,600 *	
100	66.9	34,500	69.8	32,300 *	69.5	35,200	73.6	23,700 *	115	68.2	18,900 *	73.3	15,400 *	69.8	11,100 *	76.0	8,500 *	
105	65.6	32,200	68.5	31,500 *	68.3	32,800	72.4	23,100 *	120	67.1	18,600 *	72.1	15,200 *	68.8	10,800 *	74.9	8,300 *	
110	64.2	30,100	67.1	30,700 *	67.0	30,700	71.1	22,500 *	125	65.9	18,200 *	71.0	15,000 *	67.7	10,600 *	73.8	8,200 *	
115	62.7	28,000	65.6	28,900	65.7	28,600	69.7	21,900 *	130	64.7	17,900 *	69.7	14,800 *	66.6	10,300 *	72.7	8,100 *	
120	61.3	26,300	64.1	27,100	64.4	26,900	68.5	21,300 *	135	63.5	17,500 *	68.5	14,600 *	65.6	10,100 *	71.6	7,900 *	
125	59.9	24,700	62.7	25,500	63.2	25,300	67.1	20,800 *	140	62.3	17,200 *	67.2	14,300 *	64.4	9,800 *	70.4	7,800 *	
130	58.5	23,200	61.2	24,000	61.9	23,800	65.8	20,300 *	145	61.1	16,900 *	66.0	13,900 *	63.3	9,600 *	69.3	7,700 *	
135	57.0	21,900	59.7	22,600	60.6	22,400	64.5	19,900 *	150	59.8	16,600 *	64.7	13,600 *	62.2	9,400 *	68.1	7,600 *	
140	55.4	20,600	58.1	21,200	59.2	21,100	63.0	19,400 *	155	58.6	16,300 *	63.4	13,400 *	61.1	9,200 *	67.0	7,500 *	
145	53.9	19,400	56.5	20,000	57.8	20,000	61.6	19,000 *	160	57.2	16,100 *	62.0	13,100 *	59.8	9,000 *	65.7	7,400 *	
150	52.3	18,300	54.9	18,900	56.4	18,900	60.2	18,600 *	165	56.0	15,800 *	60.7	12,800 *	58.7	8,900 *	64.5	7,300 *	
155	50.7	17,400	53.3	17,900	55.1	17,900	58.8	18,300 *	170	54.7	15,600 *	59.4	12,600 *	57.5	8,700 *	63.3	7,200 *	
160	49.0	16,400	51.5	16,800	53.5	16,900	57.2	17,900	175	53.3	15,100	58.0	12,300 *	56.3	8,500 *	62.1	7,100 *	
165	47.3	15,500	49.8	15,900	52.1	16,000	55.7	17,000	180	51.9	14,300	56.5	12,100 *	55.0	8,400 *	60.7	7,000 *	
170	45.6	14,700	48.0	15,100	50.6	15,200	54.2	16,100	185	50.5	13,600	55.0	11,900 *	53.8	8,200 *	59.5	6,900 *	
175	43.8	14,000	46.2	14,300	49.1	14,400	52.6	15,300	190	49.1	13,000	53.6	11,700 *	52.6	8,100 *	58.2	6,900 *	
180	41.9	13,200	44.1	13,500	47.4	13,700	50.9	14,500	195	47.6	12,400	52.0	11,600 *	51.3	7,900 *	56.9	6,800 *	
185	39.9	12,500	42.1	12,800	45.8	13,000	49.3	13,800	200	46.0	11,800	50.4	11,400 *	49.9	7,800 *	55.4	6,700 *	
190	37.9	11,900	40.0	12,100	44.2	12,300	47.5	13,100	205	44.5	11,200	48.8	11,200 *	48.6	7,600 *	54.0	6,700 *	
195	35.8	11,300			42.5	11,800	45.8	12,400	210	42.9	10,700	47.1	11,100 *	47.2	7,500 *	52.6	6,600 *	
200	33.5	10,700			40.6	11,100	43.8	11,800	215	41.3	10,200	45.4	10,700	45.8	7,400 *	51.2	6,600 *	
205					38.8	10,600	41.9	11,200	220	39.5	9,700	43.5	10,200	44.3	7,300 *	49.6	6,500 *	
210					36.9	10,100	39.8	10,600	225	37.8	9,200	41.6	9,700	42.9	7,200 *	48.0	6,500 *	
215					34.9	9,600			230	35.9	8,800	39.6	9,200	41.4	7,100 *	46.4	6,400 *	
220					32.6	9,000			235	34.0	8,200			39.8	7,000 *	44.8	6,400 *	
									240	31.8	7,800			38.1	6,900 *	42.9	6,400 *	
									245					36.4	6,800 *			
									250					34.6	6,800 *			
									255					32.8	6,700 *			
									260					30.8	6,400 *			

CK2000-II Jib Rated Loads in Pounds

Refer to notes page 11

11 Counterweights (132,280 lbs) + 2 Low Weights (22,050 lbs x 2)

200' Boom				60 ft Jib				200' Boom				100 ft Jib					
Load Radius (ft.)	40 ft Jib		30°		10°		30°		Load Radius (ft.)	80 ft Jib		30°		10°		30°	
	10°	30°	10°	30°	10°	30°	10°	30°		10°	30°	10°	30°	10°	30°		
	Boom Angle (deg.)	Rated Load (lbs.)	Boom Angle (deg.)	Rated Load (lbs.)	Boom Angle (deg.)	Rated Load (lbs.)	Boom Angle (deg.)	Rated Load (lbs.)		Boom Angle (deg.)	Rated Load (lbs.)	Boom Angle (deg.)	Rated Load (lbs.)	Boom Angle (deg.)	Rated Load (lbs.)	Boom Angle (deg.)	Rated Load (lbs.)
55	79.2	58,700							65	79.8	21,900 *						
60	78.0	56,600			79.5	42,200 *			70	78.8	21,700 *			79.6	13,200 *		
65	76.8	54,600	79.7	37,600	78.4	41,600 *			75	77.7	21,500 *			78.5	13,000 *		
70	75.6	52,800	78.5	36,900	77.3	41,000 *			80	76.6	21,200 *			77.6	12,800 *		
75	74.3	51,000	77.2	36,300 *	76.1	40,400 *	80.2	28,200 *	85	75.6	21,000 *			76.6	12,600 *		
80	73.0	47,100	75.9	35,600 *	75.0	39,800 *	79.1	27,200 *	90	74.5	20,800 *	79.6	16,600 *	75.6	12,500 *		
85	71.8	43,300	74.7	35,000 *	73.8	39,300 *	77.9	26,400 *	95	73.4	20,600 *	78.5	16,300 *	74.6	12,300 *		
90	70.6	39,900	73.4	34,400 *	72.7	38,700 *	76.7	25,600 *	100	72.3	20,400 *	77.4	16,100 *	73.6	12,100 *	79.6	9,000 *
95	69.2	36,800	72.0	33,600 *	71.5	37,400 *	75.5	24,800 *	105	71.3	20,000 *	76.3	15,900 *	72.6	11,900 *	78.6	8,800 *
100	67.9	34,100	70.7	32,800 *	70.3	34,800 *	74.3	24,100 *	110	70.2	19,600 *	75.2	15,700 *	71.6	11,600 *	77.6	8,700 *
105	66.7	31,700	69.4	32,000 *	69.2	32,400 *	73.1	23,500 *	115	69.0	19,200 *	74.0	15,500 *	70.5	11,300 *	76.5	8,500 *
110	65.4	29,600	68.1	30,700	68.0	30,200	71.9	22,800 *	120	67.9	18,800 *	72.8	15,300 *	69.5	11,000 *	75.4	8,400 *
115	64.0	27,600	66.7	28,500	66.7	28,200	70.6	22,200 *	125	66.8	18,500 *	71.7	15,100 *	68.5	10,700 *	74.4	8,300 *
120	62.6	25,800	65.3	26,700	65.5	26,400	69.4	21,700 *	130	65.7	18,100 *	70.6	14,900 *	67.5	10,500 *	73.3	8,100 *
125	61.3	24,300	64.0	25,100	64.3	24,800	68.1	21,200 *	135	64.6	17,800 *	69.4	14,700 *	66.4	10,300 *	72.3	8,000 *
130	59.9	22,800	62.6	23,600	63.1	23,400	66.9	20,700 *	140	63.4	17,500 *	68.2	14,500 *	65.3	10,000 *	71.1	7,900 *
135	58.6	21,400	61.2	22,200	61.8	22,000	65.6	20,200 *	145	62.2	17,200 *	67.0	14,200 *	64.3	9,800 *	70.1	7,800 *
140	57.1	20,100	59.6	20,800	60.5	20,700	64.2	19,800 *	150	61.0	16,900 *	65.8	13,900 *	63.2	9,600 *	69.0	7,600 *
145	55.6	19,000	58.2	19,600	59.2	19,500	62.9	19,400 *	155	59.9	16,600 *	64.5	13,600 *	62.1	9,400 *	67.8	7,600 *
150	54.2	17,900	56.7	18,500	57.9	18,400	61.6	19,000 *	160	58.6	16,300 *	63.2	13,300 *	61.0	9,200 *	66.7	7,500 *
155	52.7	16,900	55.2	17,500	56.6	17,400	60.2	18,600	165	57.4	16,100 *	62.0	13,100 *	59.9	9,000 *	65.5	7,400 *
160	51.1	15,900	53.5	16,400	55.2	16,400	58.8	17,600	170	56.1	15,500	60.7	12,800 *	58.8	8,800 *	64.4	7,300 *
165	49.5	15,100	51.9	15,500	53.8	15,600	57.4	16,600	175	54.9	14,700	59.4	12,600 *	57.6	8,700 *	63.2	7,200 *
170	47.9	14,300	50.3	14,700	52.4	14,700	56.0	15,800	180	53.5	13,900	58.0	12,300 *	56.4	8,500 *	61.9	7,100 *
175	46.3	13,500	48.6	13,900	51.0	14,000	54.5	14,900	185	52.2	13,200	56.6	12,100 *	55.2	8,400 *	60.7	7,000 *
180	44.5	12,700	46.8	13,100	49.5	13,200	52.9	14,100	190	50.9	12,600	55.3	11,900 *	54.1	8,200 *	59.5	6,900 *
185	42.8	12,100	45.0	12,400	48.0	12,500	51.4	13,400	195	49.5	11,900	53.9	11,800 *	52.9	8,100 *	58.3	6,900 *
190	41.0	11,400	43.1	11,700	46.5	11,900	49.8	12,700	200	48.1	11,300	52.3	11,600 *	51.6	7,900 *	56.9	6,800 *
195	39.1	10,800			44.9	11,300	48.2	12,100	205	46.6	10,800	50.8	11,400 *	50.3	7,800 *	55.6	6,700 *
200	37.0	10,200			43.2	10,700	46.4	11,400	210	45.2	10,300	49.3	10,900	49.0	7,700 *	54.3	6,700 *
205	35.0	9,600			41.5	10,100	44.6	10,800	215	43.7	9,800	47.7	10,400	47.7	7,600 *	52.9	6,600 *
210	32.8	9,000			39.8	9,600	42.8	10,300	220	42.0	9,200	46.0	9,800	46.3	7,500 *	51.5	6,600 *
215					38.0	9,000			225	40.4	8,700	44.3	9,300	45.0	7,300 *	50.0	6,500 *
220					36.0	8,400			230	38.8	8,200	42.6	8,800	43.6	7,300 *	48.6	6,500 *
225					34.1	7,900			235	37.1	7,700			42.1	7,100 *	47.1	6,400 *
230					32.0	7,400			240	35.2	7,200			40.5	7,100 *	45.4	6,400 *
									245	33.3	6,700			39.0	7,000 *	43.8	6,400 *
									250	31.2	6,300			37.4	6,600	42.1	6,400
									255					35.8	6,200		
									260					34.0	5,800		
									265					32.1	5,400		
									270					30.2	5,000		

CK2000-II Jib Rated Loads in Pounds

Refer to notes page 11

11 Counterweights (132,280 lbs) + 2 Low Weights (22,050 lbs x 2)

210' Boom					210' Boom					210' Boom							
Load Radius (ft.)	40 ft Jib				60 ft Jib				Load Radius (ft.)	80 ft Jib				100 ft Jib			
	10°		30°		10°		30°			10°		30°		10°		30°	
	Boom Angle (deg.)	Rated Load (lbs.)	Boom Angle (deg.)	Rated Load (lbs.)	Boom Angle (deg.)	Rated Load (lbs.)	Boom Angle (deg.)	Rated Load (lbs.)		Boom Angle (deg.)	Rated Load (lbs.)	Boom Angle (deg.)	Rated Load (lbs.)	Boom Angle (deg.)	Rated Load (lbs.)	Boom Angle (deg.)	Rated Load (lbs.)
55	79.6	59,000 *							65	80.2	22,000 *						
60	78.5	57,500 *			79.9	42,300 *			70	79.2	21,700 *			79.9	13,200 *		
65	77.3	55,400 *	80.1	37,900	78.9	41,800 *			75	78.1	21,500 *			78.9	13,000 *		
70	76.2	53,600	78.9	37,200	77.8	41,200 *			80	77.1	21,300 *			78.0	12,900 *		
75	74.9	51,300	77.7	36,500	76.7	40,600 *			85	76.1	21,100 *			77.1	12,700 *		
80	73.8	46,900	76.5	35,900	75.6	40,000 *	79.4	28,400 *	90	75.1	20,900 *	79.9	16,700 *	76.1	12,500 *		
85	72.6	43,100	75.3	35,300 *	74.5	39,500 *	78.3	27,600 *	95	74.0	20,700 *	78.8	16,500 *	75.1	12,400 *		
90	71.4	39,700	74.1	34,700 *	73.4	39,000 *	77.2	26,700 *	100	73.0	20,500 *	77.8	16,200 *	74.2	12,200 *	79.9	9,100 *
95	70.1	36,500	72.8	34,100 *	72.2	37,200	76.0	25,900 *	105	72.0	20,300 *	76.7	16,000 *	73.2	12,000 *	78.9	8,900 *
100	68.9	33,900	71.5	33,600 *	71.1	34,500	74.9	25,200 *	110	70.9	19,900 *	75.7	15,800 *	72.3	11,700 *	77.9	8,800 *
105	67.7	31,500	70.3	32,700	70.0	32,200	73.7	24,500 *	115	69.8	19,400 *	74.5	15,600 *	71.2	11,400 *	76.9	8,600 *
110	66.4	29,400	69.0	30,500	68.9	30,000	72.6	23,900 *	120	68.8	19,100 *	73.4	15,400 *	70.2	11,100 *	75.9	8,500 *
115	65.1	27,400	67.7	28,400	67.6	28,000	71.4	23,300 *	125	67.7	18,700 *	72.4	15,200 *	69.3	10,900 *	74.9	8,300 *
120	63.9	25,600	66.4	26,500	66.5	26,200	70.2	22,700 *	130	66.6	18,400 *	71.3	15,000 *	68.3	10,600 *	73.9	8,200 *
125	62.6	24,000	65.1	24,900	65.3	24,600	69.0	22,200 *	135	65.6	18,000 *	70.2	14,900 *	67.3	10,400 *	72.9	8,100 *
130	61.3	22,600	63.8	23,400	64.2	23,100	67.8	21,700 *	140	64.4	17,700 *	69.0	14,700 *	66.2	10,200 *	71.8	8,000 *
135	60.0	21,200	62.5	22,000	63.0	21,800	66.6	21,200 *	145	63.3	17,400 *	67.8	14,500 *	65.2	9,900 *	70.7	7,800 *
140	58.6	19,900	61.0	20,600	61.7	20,400	65.3	20,700 *	150	62.2	17,100 *	66.7	14,400 *	64.2	9,700 *	69.7	7,700 *
145	57.2	18,700	59.7	19,400	60.5	19,300	64.0	20,300 *	155	61.0	16,800 *	65.5	14,200 *	63.1	9,500 *	68.6	7,600 *
150	55.9	17,700	58.3	18,300	59.3	18,200	62.8	19,500	160	59.8	16,600 *	64.3	13,900 *	62.0	9,300 *	67.5	7,500 *
155	54.5	16,700	56.8	17,300	58.0	17,200	61.5	18,400	165	58.7	16,100	63.1	13,700 *	61.0	9,200 *	66.4	7,400 *
160	53.0	15,700	55.3	16,200	56.7	16,200	60.1	17,400	170	57.5	15,200	61.9	13,400 *	59.9	9,000 *	65.3	7,300 *
165	51.5	14,800	53.8	15,300	55.4	15,300	58.8	16,400	175	56.3	14,500	60.6	13,200 *	58.8	8,800 *	64.2	7,300 *
170	50.0	14,000	52.3	14,500	54.1	14,500	57.5	15,600	180	55.0	13,700	59.3	12,900 *	57.7	8,700 *	63.0	7,200 *
175	48.5	13,200	50.8	13,700	52.8	13,700	56.1	14,700	185	53.8	13,000	58.0	12,700 *	56.6	8,500 *	61.8	7,100 *
180	46.9	12,500	49.1	12,900	51.3	13,000	54.6	13,900	190	52.5	12,300	56.8	12,500 *	55.4	8,400 *	60.7	7,000 *
185	45.3	11,800	47.4	12,200	50.0	12,300	53.2	13,200	195	51.3	11,700	55.4	12,300 *	54.3	8,200 *	59.5	6,900 *
190	43.6	11,200	45.7	11,500	48.5	11,600	51.7	12,500	200	49.9	11,100	54.0	11,900	53.1	8,100 *	58.2	6,900 *
195	41.9	10,600	44.0	10,900	47.1	11,000	50.2	11,900	205	48.6	10,500	52.6	11,300	51.9	8,000 *	57.0	6,800 *
200	40.0	9,900	42.0	10,200	45.5	10,400	48.6	11,200	210	47.2	10,000	51.2	10,700	50.7	7,800 *	55.8	6,700 *
205	38.2	9,200			44.0	9,800	47.0	10,600	215	45.8	9,500	49.8	10,200	49.5	7,700 *	54.5	6,700 *
210	36.3	8,600			42.4	9,200	45.4	10,100	220	44.3	8,900	48.2	9,600	48.1	7,600 *	53.1	6,600 *
215	34.3	8,000			40.8	8,600	43.7	9,500	225	42.8	8,300	46.6	9,100	46.9	7,500 *	51.8	6,600 *
220	32.0	7,500			39.0	8,000	41.8	8,800	230	41.3	7,800	45.0	8,500	45.6	7,400 *	50.4	6,500 *
225					37.2	7,500			235	39.8	7,300	43.4	8,000	44.2	7,300 *	49.0	6,500 *
230					35.4	7,000			240	38.0	6,800	41.5	7,400	42.8	7,200	47.5	6,400 *
235					33.5	6,500			245	36.3	6,400			41.4	6,700	46.0	6,400 *
240					31.3	6,100			250	34.6	6,000			39.9	6,300	44.5	6,400 *
									255	32.7	5,500			38.4	5,900	42.9	6,400 *
									260	30.7	5,100			36.8	5,500	41.2	6,200
									265					35.1	5,100		
									270					33.4	4,700		
									275					31.6	4,300		

CK2000-II Jib Rated Loads in Pounds

Refer to notes page 11

11 Counterweights (132,280 lbs) + 2 Low Weights (22,050 lbs x 2)

220' Boom					60 ft Jib					220' Boom					100 ft Jib				
Load Radius (ft.)	40 ft Jib				60 ft Jib				Load Radius (ft.)	80 ft Jib				100 ft Jib					
	10°		30°		10°		30°			10°		30°		10°		30°			
	Boom Angle (deg.)	Rated Load (lbs.)	Boom Angle (deg.)	Rated Load (lbs.)	Boom Angle (deg.)	Rated Load (lbs.)	Boom Angle (deg.)	Rated Load (lbs.)		Boom Angle (deg.)	Rated Load (lbs.)	Boom Angle (deg.)	Rated Load (lbs.)	Boom Angle (deg.)	Rated Load (lbs.)	Boom Angle (deg.)	Rated Load (lbs.)		
55	80.0	53,300 *							70	79.6	21,800 *			80.3	13,200 *				
60	78.9	52,600 *			80.3	42,400 *			75	78.5	21,600 *			79.3	13,100 *				
65	77.8	51,900 *			79.3	41,900 *			80	77.6	21,400 *			78.4	12,900 *				
70	76.7	51,200 *	79.4	37,400	78.2	41,400 *			85	76.6	21,200 *			77.5	12,700 *				
75	75.5	50,400 *	78.2	36,800	77.1	40,800 *			90	75.6	21,000 *	80.3	16,800 *	76.6	12,600 *				
80	74.4	46,500	77.0	36,100 *	76.1	40,300 *	79.8	28,700 *	95	74.6	20,800 *	79.2	16,500 *	75.6	12,400 *				
85	73.3	42,700	75.9	35,500 *	75.1	39,700 *	78.8	27,900 *	100	73.6	20,600 *	78.2	16,300 *	74.7	12,300 *	80.2	9,100 *		
90	72.1	39,300	74.7	35,000 *	74.0	39,200 *	77.7	27,100 *	105	72.6	20,400 *	77.2	16,100 *	73.8	12,100 *	79.3	9,000 *		
95	70.9	36,200	73.5	34,400 *	72.9	36,900	76.5	26,300 *	110	71.6	20,100 *	76.2	15,900 *	72.8	11,900 *	78.4	8,800 *		
100	69.7	33,500	72.3	33,900 *	71.8	34,200	75.5	25,600 *	115	70.5	19,700 *	75.1	15,700 *	71.8	11,600 *	77.3	8,700 *		
105	68.6	31,200	71.1	32,400	70.7	31,800	74.4	24,900 *	120	69.5	19,300 *	74.1	15,500 *	70.9	11,300 *	76.4	8,500 *		
110	67.4	29,000	69.9	30,200	69.7	29,700	73.3	24,300 *	125	68.5	19,000 *	73.0	15,300 *	70.0	11,000 *	75.4	8,400 *		
115	66.1	27,000	68.6	28,000	68.5	27,600	72.1	23,600 *	130	67.5	18,600 *	72.0	15,100 *	69.0	10,800 *	74.4	8,300 *		
120	64.9	25,200	67.4	26,200	67.4	25,800	71.0	23,000 *	135	66.4	18,300 *	70.9	15,000 *	68.0	10,600 *	73.4	8,100 *		
125	63.7	23,700	66.2	24,600	66.3	24,200	69.8	22,500 *	140	65.3	18,000 *	69.7	14,800 *	67.0	10,300 *	72.4	8,000 *		
130	62.5	22,200	64.9	23,000	65.2	22,800	68.7	22,000 *	145	64.3	17,700 *	68.7	14,600 *	66.0	10,100 *	71.4	7,900 *		
135	61.3	20,800	63.7	21,600	64.0	21,400	67.5	21,500 *	150	63.2	17,400 *	67.6	14,500 *	65.1	9,900 *	70.4	7,800 *		
140	59.9	19,500	62.3	20,300	62.8	20,100	66.3	21,100 *	155	62.1	17,100 *	66.5	14,400 *	64.1	9,700 *	69.4	7,700 *		
145	58.6	18,400	61.0	19,100	61.7	18,900	65.1	20,300	160	61.0	16,600	65.3	14,200 *	63.0	9,500 *	68.3	7,600 *		
150	57.4	17,300	59.7	17,900	60.5	17,800	63.9	19,200	165	59.9	15,700	64.1	13,900 *	62.0	9,300 *	67.2	7,500 *		
155	56.0	16,300	58.4	16,900	59.3	16,800	62.7	18,100	170	58.7	14,900	63.0	13,600 *	61.0	9,100 *	66.2	7,400 *		
160	54.6	15,300	56.9	15,900	58.1	15,800	61.4	17,100	175	57.6	14,100	61.8	13,400 *	59.9	9,000 *	65.1	7,300 *		
165	53.3	14,400	55.5	15,000	56.8	14,900	60.1	16,100	180	56.4	13,300	60.6	13,100 *	58.8	8,800 *	64.0	7,200 *		
170	51.9	13,600	54.1	14,100	55.6	14,100	58.9	15,300	185	55.2	12,600	59.4	12,900 *	57.8	8,700 *	62.9	7,100 *		
175	50.5	12,900	52.7	13,300	54.4	13,400	57.6	14,400	190	54.0	12,000	58.1	12,700 *	56.7	8,500 *	61.8	7,100 *		
180	48.9	12,100	51.1	12,500	53.0	12,600	56.2	13,600	195	52.8	11,400	56.9	12,200	55.6	8,400 *	60.7	7,000 *		
185	47.4	11,400	49.6	11,800	51.7	11,900	54.9	12,900	200	51.5	10,700	55.5	11,600	54.4	8,200 *	59.5	6,900 *		
190	45.9	10,800	48.0	11,200	50.4	11,300	53.5	12,200	205	50.3	10,200	54.3	11,000	53.3	8,100 *	58.3	6,900 *		
195	44.4	10,000	46.4	10,500	49.0	10,600	52.1	11,600	210	49.0	9,600	52.9	10,400	52.2	8,000 *	57.1	6,800 *		
200	42.7	9,300	44.6	9,700	47.5	9,900	50.6	10,900	215	47.7	9,000	51.6	9,900	51.0	7,800 *	55.9	6,700 *		
205	41.0	8,700	42.9	9,100	46.1	9,300	49.1	10,300	220	46.3	8,400	50.1	9,300	49.8	7,700 *	54.6	6,700 *		
210	39.3	8,100	41.1	8,400	44.7	8,700	47.6	9,700	225	44.9	7,800	48.7	8,700	48.6	7,600 *	53.4	6,600 *		
215	37.5	7,500			43.2	8,100	46.0	9,100	230	43.5	7,300	47.2	8,100	47.4	7,500 *	52.1	6,600 *		
220	35.5	6,900			41.5	7,500	44.3	8,400	235	42.1	6,800	45.7	7,600	46.1	7,200	50.8	6,500 *		
225	33.5	6,400			39.9	7,000	42.7	7,800	240	40.5	6,300	44.0	7,000	44.7	6,700	49.4	6,500 *		
230	31.4	5,900			38.3	6,500	40.9	7,300	245	39.0	5,900	42.4	6,500	43.4	6,200	48.0	6,400 *		
235					36.6	6,000			250	37.4	5,400	40.7	6,000	42.1	5,800	46.6	6,400 *		
240					34.6	5,500			255	35.7	5,000			40.7	5,400	45.1	6,200		
245					32.7	5,100			260	34.0	4,600			39.3	5,000	43.6	5,700		
250					30.7	4,700			265	32.0	4,200			37.7	4,600	41.9	5,300		
									270	30.1	3,900			36.2	4,200	40.3	4,900		
									275					34.6	3,800				

CK2000-II Jib Rated Loads in Pounds

Refer to notes page 11

11 Counterweights (132,280 lbs) + 2 Low Weights (22,050 lbs x 2)

230' Boom				60 ft Jib				230' Boom				100 ft Jib					
Load Radius (ft.)	40 ft Jib		30°		10°		30°		Load Radius (ft.)	80 ft Jib		30°		10°		30°	
	10°	Rated Load (lbs.)	Boom Angle (deg.)	Rated Load (lbs.)	Boom Angle (deg.)	Rated Load (lbs.)	Boom Angle (deg.)	Rated Load (lbs.)		10°	Rated Load (lbs.)	Boom Angle (deg.)	Rated Load (lbs.)	Boom Angle (deg.)	Rated Load (lbs.)	Boom Angle (deg.)	Rated Load (lbs.)
	Boom Angle (deg.)	Rated Load (lbs.)	Boom Angle (deg.)	Rated Load (lbs.)	Boom Angle (deg.)	Rated Load (lbs.)	Boom Angle (deg.)	Rated Load (lbs.)		Boom Angle (deg.)	Rated Load (lbs.)	Boom Angle (deg.)	Rated Load (lbs.)	Boom Angle (deg.)	Rated Load (lbs.)	Boom Angle (deg.)	Rated Load (lbs.)
55	80.4	47,800 *							70	79.9	21,900 *						
60	79.4	47,100 *							75	78.9	21,600 *			79.6	13,100 *		
65	78.3	46,400 *			79.6	42,100 *			80	78.0	21,500 *			78.8	12,900 *		
70	77.2	45,700 *	79.8	37,600	78.7	41,500 *			85	77.0	21,300 *			77.9	12,800 *		
75	76.1	45,000 *	78.6	37,000	77.6	41,000 *			90	76.1	21,100 *			77.0	12,600 *		
80	75.0	44,300 *	77.5	36,400	76.6	40,400 *	80.2	29,000 *	95	75.1	20,900 *	79.6	16,600 *	76.1	12,500 *		
85	73.9	42,400	76.4	35,800	75.6	39,900 *	79.2	28,200 *	100	74.1	20,700 *	78.6	16,400 *	75.2	12,300 *		
90	72.8	39,000	75.3	35,300 *	74.6	39,400	78.1	27,400 *	105	73.2	20,500 *	77.6	16,200 *	74.3	12,200 *	79.6	9,000 *
95	71.6	35,800	74.1	34,700 *	73.5	36,500	77.0	26,600 *	110	72.2	20,300 *	76.7	16,000 *	73.4	12,000 *	78.7	8,900 *
100	70.5	33,200	73.0	34,200	72.5	33,800	76.0	25,900 *	115	71.2	19,900 *	75.6	15,800 *	72.4	11,700 *	77.7	8,700 *
105	69.4	30,800	71.9	32,000	71.4	31,500	74.9	25,200 *	120	70.2	19,600 *	74.6	15,600 *	71.5	11,400 *	76.8	8,600 *
110	68.3	28,700	70.7	29,900	70.4	29,300	73.9	24,600 *	125	69.2	19,200 *	73.6	15,400 *	70.6	11,200 *	75.9	8,400 *
115	67.1	26,600	69.5	27,700	69.3	27,200	72.7	23,900 *	130	68.2	18,800 *	72.6	15,200 *	69.7	11,000 *	74.9	8,300 *
120	65.9	24,900	68.3	25,900	68.2	25,500	71.7	23,400 *	135	67.2	18,500 *	71.6	15,100 *	68.7	10,700 *	74.0	8,200 *
125	64.8	23,300	67.2	24,300	67.2	23,900	70.6	22,900 *	140	66.2	18,200 *	70.5	14,900 *	67.8	10,500 *	73.0	8,100 *
130	63.6	21,800	66.0	22,700	66.1	22,400	69.5	22,400 *	145	65.2	17,900 *	69.4	14,700 *	66.8	10,300 *	72.0	8,000 *
135	62.4	20,500	64.8	21,300	65.0	21,000	68.4	21,900 *	150	64.1	17,600 *	68.4	14,600 *	65.9	10,100 *	71.0	7,800 *
140	61.1	19,100	63.5	19,900	63.9	19,700	67.2	21,300	155	63.1	17,300	67.3	14,400 *	64.9	9,900 *	70.1	7,800 *
145	59.9	18,000	62.2	18,700	62.7	18,500	66.1	20,000	160	62.0	16,200	66.2	14,300 *	63.9	9,700 *	69.0	7,600 *
150	58.7	16,900	61.0	17,600	61.6	17,400	64.9	18,900	165	60.9	15,400	65.1	14,100 *	62.9	9,500 *	68.0	7,500 *
155	57.5	15,900	59.7	16,600	60.5	16,400	63.8	17,800	170	59.9	14,500	64.0	13,800 *	61.9	9,300 *	67.0	7,500 *
160	56.1	14,900	58.4	15,500	59.3	15,500	62.5	16,800	175	58.8	13,800	62.9	13,600 *	61.0	9,100 *	66.0	7,400 *
165	54.8	14,100	57.0	14,600	58.1	14,600	61.4	15,800	180	57.6	13,000	61.7	13,400 *	59.9	9,000 *	64.9	7,300 *
170	53.5	13,200	55.7	13,800	57.0	13,800	60.2	14,900	185	56.5	12,300	60.6	13,100 *	58.9	8,800 *	63.9	7,200 *
175	52.2	12,500	54.4	13,000	55.8	13,000	58.9	14,100	190	55.4	11,600	59.4	12,600	57.9	8,700 *	62.8	7,100 *
180	50.8	11,700	52.9	12,200	54.5	12,200	57.6	13,300	195	54.3	11,000	58.2	11,900	56.8	8,500 *	61.7	7,100 *
185	49.4	11,000	51.5	11,500	53.3	11,500	56.4	12,600	200	53.0	10,400	56.9	11,300	55.7	8,400 *	60.6	7,000 *
190	48.0	10,200	50.0	10,800	52.0	10,900	55.1	11,900	205	51.8	9,700	55.7	10,700	54.6	8,200 *	59.5	6,900 *
195	46.5	9,500	48.5	10,000	50.7	10,100	53.8	11,200	210	50.6	9,100	54.5	10,100	53.6	8,100 *	58.4	6,800 *
200	44.9	8,800	46.9	9,300	49.4	9,400	52.3	10,600	215	49.4	8,500	53.2	9,500	52.5	8,000 *	57.2	6,800 *
205	43.4	8,200	45.3	8,600	48.0	8,800	51.0	9,900	220	48.1	7,900	51.8	8,900	51.3	7,900 *	56.0	6,700 *
210	41.8	7,500	43.7	8,000	46.7	8,200	49.6	9,300	225	46.8	7,300	50.5	8,200	50.1	7,700	54.8	6,700 *
215	40.2	7,000	42.1	7,300	45.3	7,600	48.1	8,600	230	45.5	6,800	49.1	7,700	49.0	7,200	53.6	6,600 *
220	38.4	6,400	40.2	6,700	43.8	7,000	46.6	8,000	235	44.2	6,300	47.8	7,100	47.8	6,700	52.4	6,600 *
225	36.7	5,900			42.3	6,400	45.0	7,400	240	42.7	5,800	46.2	6,600	46.5	6,200	51.1	6,500 *
230	34.8	5,400			40.8	6,000	43.5	6,800	245	41.3	5,400	44.7	6,100	45.3	5,700	49.8	6,500
235	32.9	4,900			39.2	5,500	41.8	6,300	250	39.8	4,900	43.2	5,600	44.0	5,300	48.5	6,200
240	30.7	4,400			37.5	5,000	40.0	5,800	255	38.3	4,500	41.6	5,100	42.7	4,900	47.1	5,800
245					35.8	4,500			260	36.8	4,100	39.9	4,700	41.4	4,500	45.7	5,300
250					34.0	4,100			265					40.0	4,100	44.2	4,900
									270							42.7	4,400
									275							41.2	4,000

CK2000-II Jib Rated Loads in Pounds

Refer to notes page 11

11 Counterweights (132,280 lbs) + 2 Low Weights (22,050 lbs x 2)

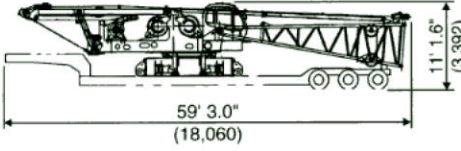
240' Boom				60 ft Jib				240' Boom				100 ft Jib					
Load Radius (ft.)	40 ft Jib		30°		10°		30°		Load Radius (ft.)	80 ft Jib		30°		10°		30°	
	10°	30°	10°	30°	10°	30°	10°	30°		10°	30°	10°	30°	10°	30°		
	Boom Angle (deg.)	Rated Load (lbs.)	Boom Angle (deg.)	Rated Load (lbs.)	Boom Angle (deg.)	Rated Load (lbs.)	Boom Angle (deg.)	Rated Load (lbs.)		Boom Angle (deg.)	Rated Load (lbs.)	Boom Angle (deg.)	Rated Load (lbs.)	Boom Angle (deg.)	Rated Load (lbs.)	Boom Angle (deg.)	Rated Load (lbs.)
60	79.7	42,200 *							70	80.2	21,900 *						
65	78.7	41,500 *			80.0	41,300 *			75	79.3	21,700 *			79.9	13,200 *		
70	77.7	40,800 *	80.2	37,900 *	79.0	40,600 *			80	78.4	21,500 *			79.1	13,000 *		
75	76.6	40,100 *	79.0	37,200 *	78.0	39,800 *			85	77.5	21,300 *			78.2	12,800 *		
80	75.5	39,500 *	78.0	36,700 *	77.0	39,200 *			90	76.5	21,100 *			77.4	12,700 *		
85	74.5	38,800 *	76.9	36,100 *	76.1	38,500 *	79.6	28,500 *	95	75.6	20,900 *	79.9	16,700 *	76.5	12,500 *		
90	73.4	38,200 *	75.9	35,500 *	75.1	37,900 *	78.6	27,700 *	100	74.6	20,800 *	79.0	16,400 *	75.6	12,400 *		
95	72.3	35,400	74.7	34,800 *	74.1	36,100	77.5	26,900 *	105	73.7	20,600 *	78.1	16,200 *	74.7	12,300 *	80.0	9,000 *
100	71.3	32,700	73.6	34,100	73.1	33,400	76.5	26,200 *	110	72.8	20,400 *	77.1	16,000 *	73.9	12,100 *	79.1	8,900 *
105	70.2	30,400	72.6	31,700	72.1	31,000	75.5	25,500 *	115	71.8	20,100 *	76.1	15,900 *	72.9	11,900 *	78.1	8,800 *
110	69.1	28,200	71.5	29,500	71.1	28,900	74.5	24,900 *	120	70.9	19,800 *	75.1	15,700 *	72.1	11,600 *	77.2	8,600 *
115	67.9	26,200	70.3	27,300	70.0	26,800	73.4	24,300 *	125	69.9	19,400 *	74.2	15,500 *	71.2	11,400 *	76.3	8,500 *
120	66.8	24,400	69.2	25,500	69.0	25,000	72.3	23,700 *	130	69.0	19,100 *	73.2	15,300 *	70.3	11,100 *	75.4	8,400 *
125	65.7	22,800	68.0	23,900	68.0	23,400	71.3	23,200 *	135	68.0	18,800 *	72.2	15,100 *	69.4	10,900 *	74.5	8,200 *
130	64.6	21,400	66.9	22,300	66.9	22,000	70.3	22,700 *	140	67.0	18,400 *	71.2	15,000 *	68.5	10,600 *	73.5	8,100 *
135	63.5	20,000	65.8	20,900	65.9	20,600	69.2	22,200 *	145	66.0	18,100 *	70.2	14,800 *	67.5	10,400 *	72.6	8,000 *
140	62.3	18,700	64.5	19,500	64.8	19,200	68.1	20,900	150	65.0	17,800 *	69.1	14,700 *	66.6	10,200 *	71.7	7,900 *
145	61.1	17,500	63.4	18,300	63.7	18,100	67.0	19,700	155	64.0	16,800	68.1	14,500 *	65.7	10,000 *	70.7	7,800 *
150	60.0	16,400	62.2	17,200	62.7	17,000	65.9	18,500	160	63.0	15,800	67.0	14,400 *	64.7	9,800 *	69.7	7,700 *
155	58.8	15,500	61.0	16,200	61.6	16,000	64.8	17,500	165	61.9	14,900	66.0	14,300 *	63.8	9,600 *	68.8	7,600 *
160	57.5	14,500	59.7	15,100	60.4	15,000	63.6	16,400	170	60.9	14,100	65.0	14,000 *	62.9	9,500 *	67.8	7,500 *
165	56.3	13,600	58.4	14,200	59.3	14,100	62.5	15,500	175	59.9	13,300	63.9	13,800 *	61.9	9,300 *	66.8	7,400 *
170	55.1	12,800	57.2	13,400	58.2	13,300	61.3	14,600	180	58.8	12,500	62.7	13,600 *	60.9	9,100 *	65.8	7,300 *
175	53.8	12,000	55.9	12,600	57.1	12,500	60.2	13,800	185	57.7	11,800	61.7	13,000	59.9	9,000 *	64.8	7,300 *
180	52.4	11,100	54.5	11,800	55.9	11,800	58.9	12,900	190	56.6	11,200	60.6	12,300	58.9	8,800 *	63.8	7,200 *
185	51.1	10,300	53.2	11,000	54.7	11,000	57.7	12,200	195	55.6	10,500	59.4	11,600	57.9	8,700 *	62.7	7,100 *
190	49.8	9,600	51.8	10,200	53.5	10,200	56.5	11,500	200	54.4	9,800	58.2	10,900	56.9	8,500 *	61.6	7,000 *
195	48.5	8,800	50.5	9,400	52.3	9,500	55.3	10,800	205	53.3	9,100	57.1	10,300	55.8	8,400 *	60.6	7,000 *
200	47.0	8,100	48.9	8,700	51.0	8,800	53.9	10,100	210	52.1	8,500	55.9	9,700	54.8	8,200 *	59.5	6,900 *
205	45.6	7,500	47.5	8,000	49.8	8,100	52.7	9,400	215	51.0	7,900	54.7	9,000	53.8	8,100 *	58.4	6,800 *
210	44.1	6,900	46.0	7,300	48.5	7,500	51.3	8,700	220	49.7	7,300	53.4	8,300	52.6	7,600	57.3	6,800 *
215	42.6	6,300	44.5	6,700	47.2	6,900	50.0	8,100	225	48.5	6,700	52.2	7,700	51.6	7,100	56.2	6,700 *
220	41.0	5,700	42.8	6,100	45.8	6,300	48.5	7,400	230	47.3	6,200	50.9	7,200	50.5	6,500	55.0	6,700 *
225	39.4	5,200			44.4	5,800	47.1	6,800	235	46.0	5,700	49.6	6,600	49.4	6,100	53.9	6,600 *
230	37.7	4,700			43.0	5,300	45.7	6,300	240	44.7	5,200	48.2	6,000	48.1	5,600	52.6	6,600 *
235					41.6	4,800	44.2	5,700	245	43.4	4,800	46.8	5,500	47.0	5,100	51.4	6,200
240					40.0	4,300	42.5	5,200	250	42.0	4,300	45.4	5,000	45.8	4,700	50.2	5,700
									255			43.9	4,600	44.6	4,300	48.9	5,300
									260			42.4	4,100			47.6	4,800
									265							46.2	4,300
									270							44.9	3,900

CK2000-II Specification of Parts and Attachments

Dimensions: ft-in (mm) - Weight: lbs (kg)

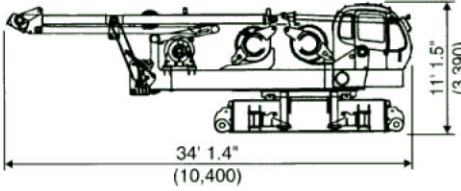
Base Machine

Weight: 94,800 lbs (43,000 kg)*



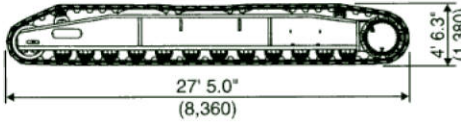
Base Machine

Weight: 83,200 lbs (37,700 kg)**



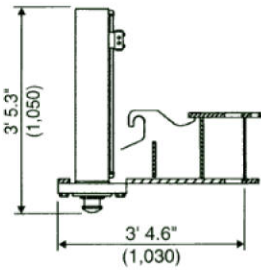
Crawler

Weight: 40,800 lbs (18,500 kg)



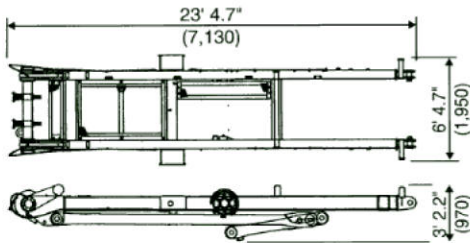
Translifter

Weight: 800 lbs (360 kg)



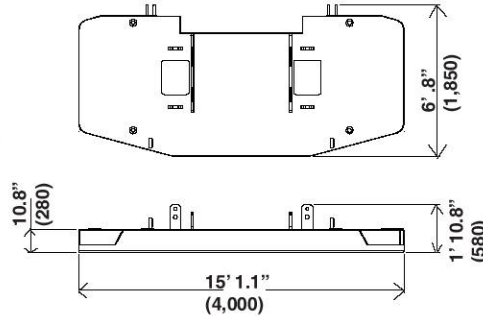
Gantry

Weight: 6,500 lbs (2,950 kg)



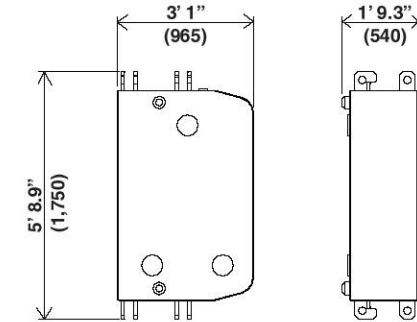
Counterweight (A)

Weight: 22,050 lbs (10,000 kg)



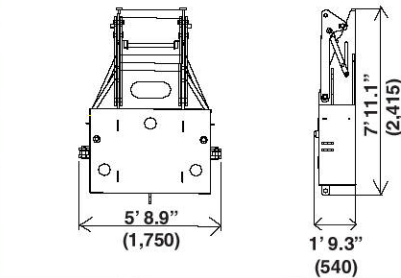
Counterweight (B)

Weight: 11,020 lbs (5,000 kg) - 1 piece



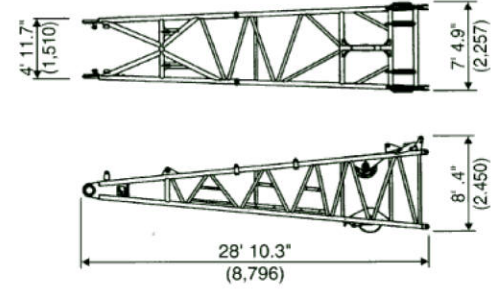
Carbody Weight

Weight: 11,020 lbs (5,000 kg)



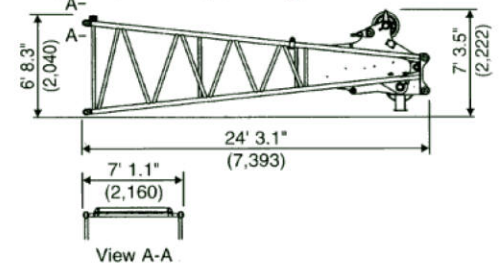
Boom Base

Weight: 5,780 lbs (2,620 kg)



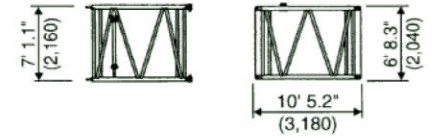
Boom Tip

Weight: 4,630 lbs (2,100 kg)



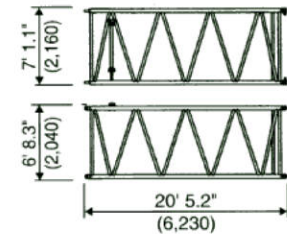
10 ft (3.0 m) Insert Boom

Weight: 1,170 lbs (530 kg)



20 ft (6.1 m) Insert Boom

Weight: 1,940 lbs (880 kg)



* This weight includes the translifter, back stop, and wire rope on the main, auxiliary and boom hoist drums but does not include 3rd winch or hook block.

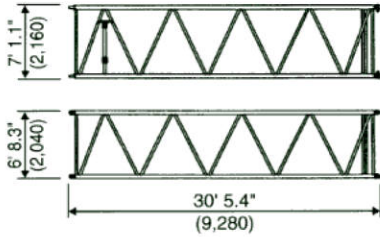
** This weight includes the translifter and wire rope on the main, auxiliary and boom hoist drums but does not include 3rd winch, back stop or boom base.

CK2000-II Specification of Parts and Attachments

Dimensions: ft-in (mm) - Weight: lbs (kg)

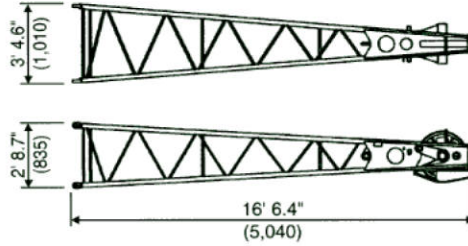
30 ft (9.1 m) Insert Boom

Weight: 2,690 lbs (1,220 kg)



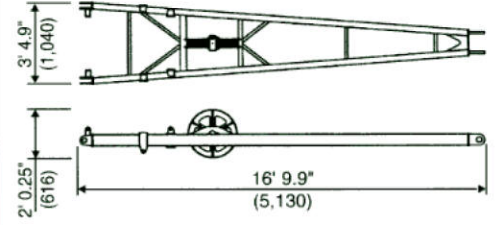
Jib Tip (For Crane)

Weight: 697 lbs (315 kg)



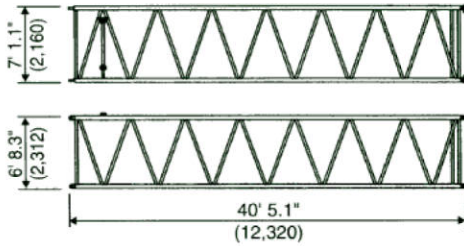
Jib Strut

Weight: 662 lbs (300 kg)



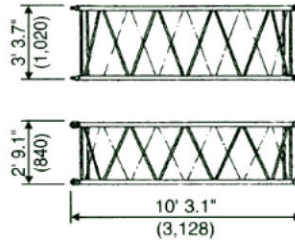
40 ft (12.2 m) Insert Boom

Weight: 3,200 lbs (1,450 kg)



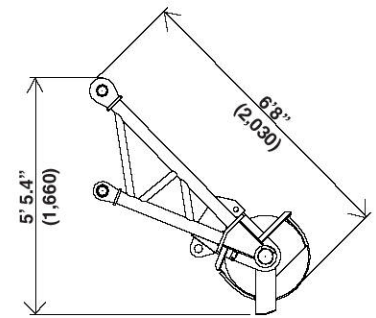
10ft (3.0 m) Insert Jib

Weight: 243 lbs (110 kg)



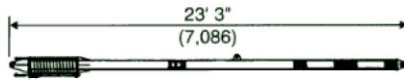
Aux. Sheave

Weight: 650 lbs (295 kg)



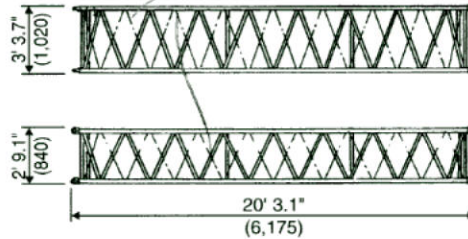
Boom Backstop

Weight: 1,630 (740 kg)



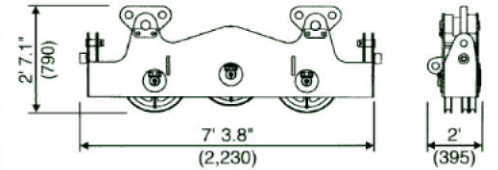
20ft (6.1 m) Insert Jib

Weight: 420 lbs (190 kg)



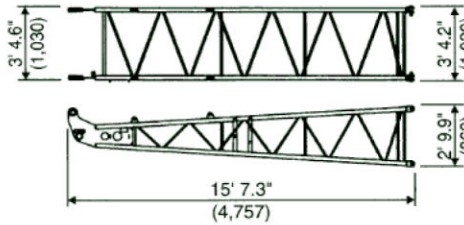
Upper Spreader

Weight: 1,300 lbs (590 kg)



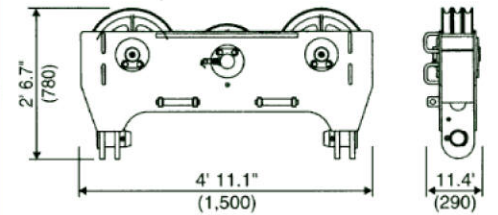
Jib Base (For Crane)

Weight: 463 (210 kg)



Lower Spreader

Weight: 880 lbs (400 kg)



CK2000-II

Note: Due to our policy of continual product improvement, all designs and specifications are subject to change without advance notice. Pictures inside this publication may show machines with optional equipment. This manual and the specifications herein were prepared for the market served by Kobelco Cranes North America Inc. including North America and Latin America. Kobelco product specifications in other world markets may differ.

KOBELCO CRANES CO., LTD

Oval Court Ohsaki Mark West Bldg., 17-1, Higashigotanda 2-chome,
Shinagawa-ku, Tokyo, 141-8626 JAPAN
Tel: ++81 (0) 3-5789-2130 Fax: ++81 (0) 3-5789-3372

KOBELCO CRANES NORTH AMERICA INC.

10845 Train Court
Houston Texas 77041 U.S.A
Tel: 713-856-5755 Fax: 713-856-9072
www.kobelcocranesnorthamerica.com