

# 13/88

Articulating Crane



## ► 13/88 Articulating Crane

IMT® 13/88 articulating cranes are perfect for a range of applications because their compact size, maneuverability, and easy operation make loading and unloading materials a breeze. With hexagonal booms for greater strength and stability, our 13/88SL cranes have a max capacity of 9920 lb (4500 kg), while 13/88DL cranes have a max capacity of 10,780 lb (4890 kg). Both have a maximum horizontal reach of 64 ft 8 in (19.7 m). They offer innovative features — like the ability to stow within themselves — for powerful and profitable performance on the job site.



### 13/88SL Specifications

	1 - Hydraulic	2 - Hydraulic	3 - Hydraulic	4 - Hydraulic	5 - Hydraulic	6 - Hydraulic
<b>Crane Rating*</b>	88,245 ft-lb (12.2 tm)	84,625 ft-lb (11.7 tm)	81,735 ft-lb (11.3 tm)	78,840 ft-lb (10.9 tm)	75,945 ft-lb (10.5 tm)	73,055 ft-lb (10.1 tm)
<b>Max Horizontal Reach</b>	20' 4" (6.2 m)	27' 3" (8.3 m)	34' 1" (10.4 m)	41' 8" (12.7 m)	48' 11" (14.9 m)	56' 5" (17.2 m)
<b>Max Vertical Reach</b>	28' 7" (8.7 m)	35' 5" (10.8 m)	42' 4" (12.9 m)	49' 10" (15.2 m)	57' 1" (17.4 m)	64' 8" (19.7 m)
<b>Max Capacity</b>	9920 lb (4500 kg)	9920 lb (4500 kg)	8820 lb (4000 kg)	8820 lb (4000 kg)	8820 lb (4000 kg)	8820 lb (4000 kg)
<b>Max Cap @ Max Reach</b>	4300 lb (1950 kg)	3020 lb (1370 kg)	2140 lb (970 kg)	1520 lb (690 kg)	1080 lb (490 kg)	750 lb (340 kg)
<b>Crane Weight **</b>	2890 lb (1310 kg)	3195 lb (1450 kg)	3505 lb (1590 kg)	3805 lb (1725 kg)	4070 lb (1845 kg)	4280 lb (1,940 kg)
<b>Hook Approach</b>						
Vertical	9' 1" (2.76 m)	8' 11" (2.71 m)	8' 7" (2.62 m)	8' 4" (2.53 m)	8' 0" (2.44 m)	7' 9" (2.35 m)
Horizontal	2' 5" (0.74 m)	2' 7" (0.79 m)	2' 9" (0.84 m)	2' 11" (0.89 m)	3' 1" (0.94 m)	3' 3" (1 m)
<b>Center of Gravity - Stored</b>						
Vertical	2' 4" (700 mm)	2' 5" (730 mm)	2' 6" (755 mm)	2' 7" (785 mm)	2' 8" (805 mm)	2' 8" (820 mm)
Horizontal (C/L Rotation to Bridge)	13.4" (340 mm)	13.2" (335 mm)	12.8" (325 mm)	12" (305 mm)	11.4" (290 mm)	11" (280 mm)

### 13/88DL Specifications

	1 - Hydraulic	2 - Hydraulic	3 - Hydraulic	4 - Hydraulic	5 - Hydraulic	6 - Hydraulic
<b>Crane Rating*</b>	87,520 ft-lb (12.1 tm)	84,625 ft-lb (11.7 tm)	81,735 ft-lb (11.3 tm)	78,116 ft-lb (10.8 tm)	75,945 ft-lb (10.5 tm)	73,055 ft-lb (10.1 tm)
<b>Max Horizontal Reach</b>	20' 4" (6.2 m)	27' 3" (8.3 m)	34' 1" (10.4 m)	41' 8" (12.7 m)	48' 11" (14.9 m)	56' 5" (17.2 m)
<b>Max Vertical Reach</b>	28' 7" (8.7 m)	35' 5" (10.8 m)	42' 4" (12.9 m)	49' 10" (15.2 m)	57' 1" (17.4 m)	64' 8" (19.7 m)
<b>Max Capacity</b>	10,780 lb (4890 kg)	10,470 lb (4750 kg)	9985 lb (4530 kg)	9525 lb (4320 kg)	9105 lb (4130 kg)	8730 lb (3960 kg)
<b>Max Cap @ Max Reach</b>	4,300 lb (1950 kg)	3000 lb (1360 kg)	2140 lb (970 kg)	1520 lb (690 kg)	1060 lb (480 kg)	750 lb (340 kg)
<b>Crane Weight **</b>	3000 lb (1360 kg)	3300 lb (1500 kg)	3615 lb (1640 kg)	3915 lb (1775 kg)	4180 lb (1895 kg)	4385 lb (1990 kg)
<b>Hook Approach</b>						
Vertical	9' 1" (2.76 m)	8' 11" (2.71 m)	8' 7" (2.62 m)	8' 4" (2.53 m)	8' 0" (2.44 m)	7' 9" (2.35 m)
Horizontal	2' 5" (0.74 m)	2' 7" (0.79 m)	2' 9" (0.84 m)	2' 11" (0.89 m)	3' 1" (0.94 m)	3' 3" (1 m)
<b>Center of Gravity - Stored</b>						
Vertical	2' 4" (700 mm)	2' 5" (730 mm)	2' 6" (755 mm)	2' 7" (785 mm)	2' 8" (805 mm)	2' 8" (820 mm)
Horizontal (C/L Rotation to Bridge)	12.2" (310 mm)	12" (305 mm)	11.8" (300 mm)	11.2" (285 mm)	10.6" (270 mm)	10.2" (260 mm)

\* Crane rating (ft-lb) is the rated load (lb) multiplied by the respective distance (ft) from centerline of rotation with all extensions retracted and the inner and outer booms in a horizontal position, per ANSI B30.22. \*\* Crane weight does not include stabilizers.

## Standard Features

- Application-specific product offering
- Superior lift-to-weight ratio
- Long-reach capabilities
- Hexagonal booms for superior reach and maximum control
- Internal hose routing
- 15° overbending on outer boom

## Options

- Radio remote control
- Various stabilizer configurations
- Double link arm system
- Boom mounted winch
- Floodlight on outer boom
- Boom tip functions for hydraulic attachments
- Oil cooler

## Specifications

<b>Stabilizer Pad Diameter</b>	6" (160 mm)
<b>Crane Storage Height</b>	7' 5" (2250 mm)
<b>Mounting Space<sup>***</sup></b>	2' 8" (820 mm)
<b>Rotational Torque</b>	10,850 ft-lb (1.5 tm)
<b>Rotation</b>	400°
<b>Optimum Pump Performance</b>	13.2 gpm (50 L/min)
<b>System Pressure</b>	4350 psi (300 bar)
<b>Oil Reservoir Capacity</b>	23.8 gal (90 L)
<b>Stabilizer Extension Span</b>	
Standard (manual out/hydraulic down)	15' 2" (4615 mm)
Weight	440 lb (200 kg)
Opt. 1 (manual out/hydraulic down)	18' 4" (5590 mm)
Weight	520 lb (235 kg)
Opt. 2 (hydraulic out/hydraulic down)	21' 3" (6470 mm)
Weight	660 lb (300 kg)

<sup>\*\*\*</sup> Maximum swing clearance radius required is 24" (600 mm) at 7' 10" (2375 mm) from top of chassis frame.

## Minimum Chassis Specifications

<b>Front Axle Rating (GAWR)</b>	9000 lb (4080 kg)
<b>Rear Axle Rating (GAWR)</b>	18,500 lb (8390 kg)
<b>Resistance to Bending Moment Minimum</b>	1,230,000 in-lb (141,710 kg-m)

## Hexagonal Boom Design

A wide hexagonal profile with large bearing surfaces ensures greater strength and stability for horizontal and vertical spans — even when working in extreme positions with long reaches. Plus, it's protected by powdercoat paint that never fades, flakes, or corrodes.



### Internal Hose Routing

Fed internally through protective nylon drag chains or roller guides, all hoses are equipped with sturdy, high-pressure swivel couplings to prevent them from twisting.



### Overbending

Overbending between the main boom and jib provides greater flexibility when working under power wires and more potential for high lifting in narrow passages. It also lowers the total height when the loader is stowed over the truck body.

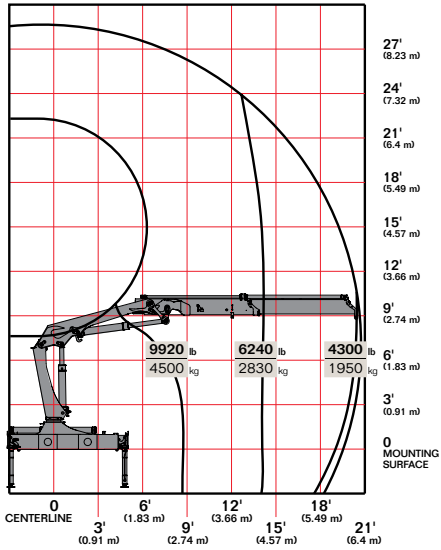


### Stow Bracket Innovation

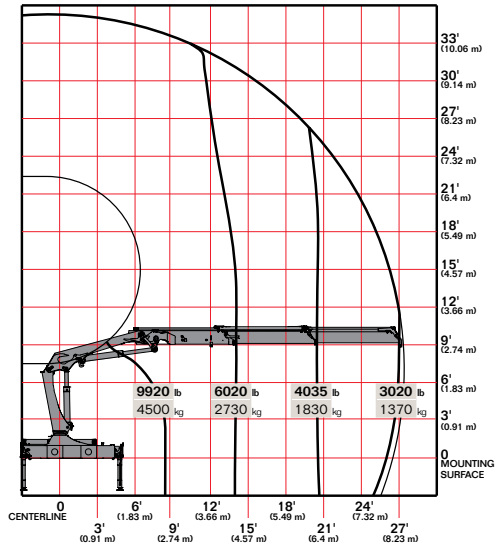
The stow bracket is designed to secure the boom for transport position but not allow for bracket damage. Unlike systems with rigid fixed brackets, the "J" hook will pivot if an incorrect movement is attempted.

# ► 13/88SL Capacity Charts

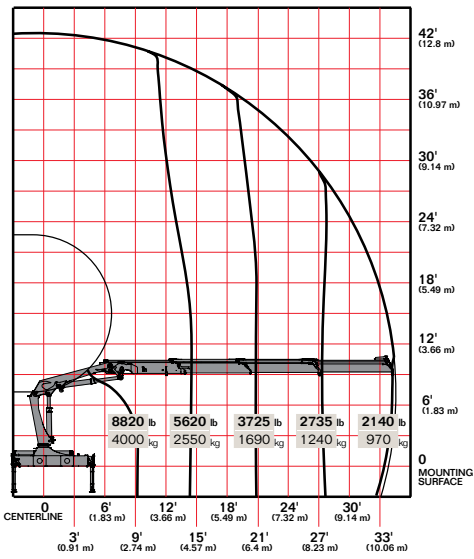
### 13/88SL K1



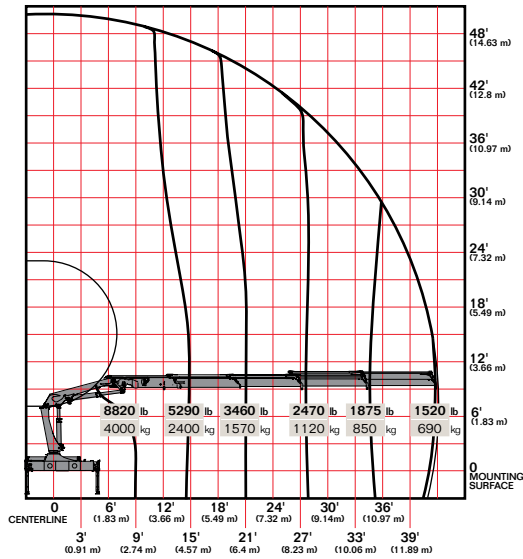
### 13/88SL K2



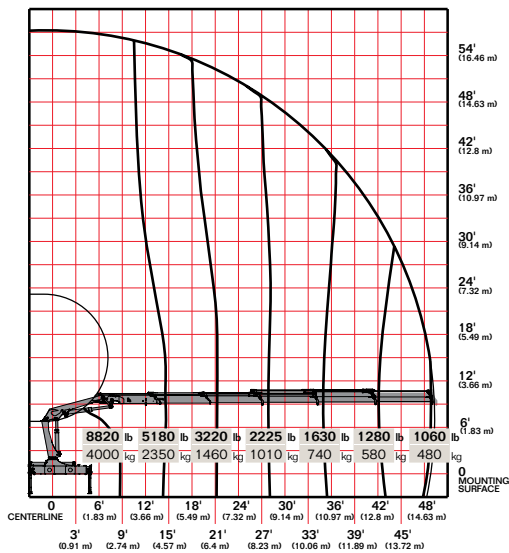
### 13/88SL K3



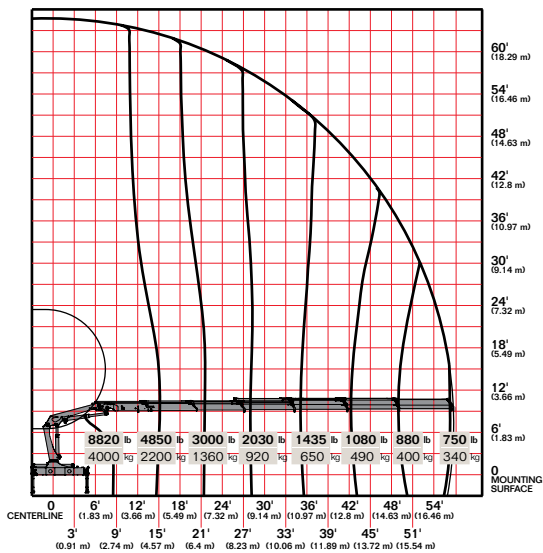
### 13/88SL K4



### 13/88SL K5



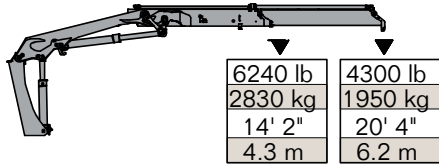
### 13/88SL K6



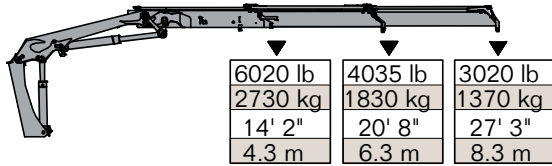
Limit working loads to those shown. Deduct the weight of load-handling devices.

# ► 13/88SL Lifting Capacity

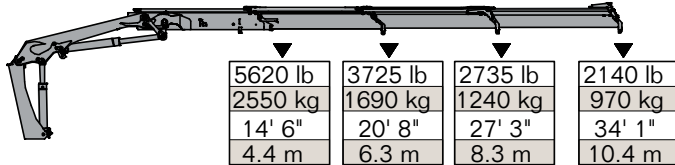
13/88SL - 1 Hydraulic



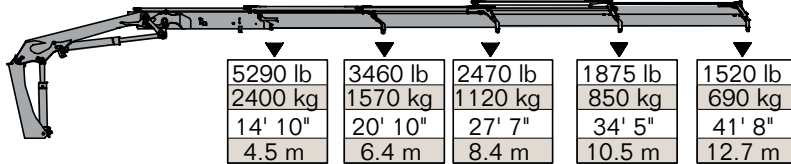
13/88SL - 2 Hydraulic



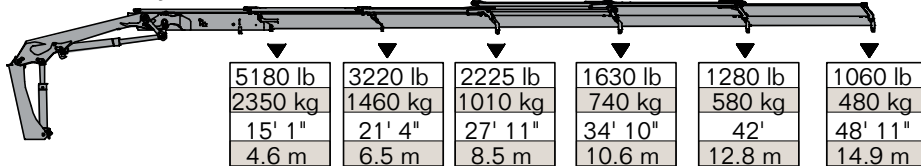
13/88SL - 3 Hydraulic



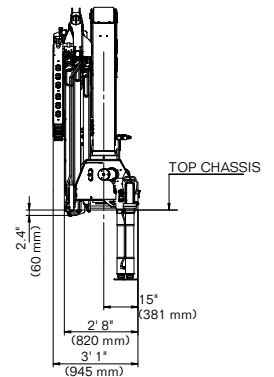
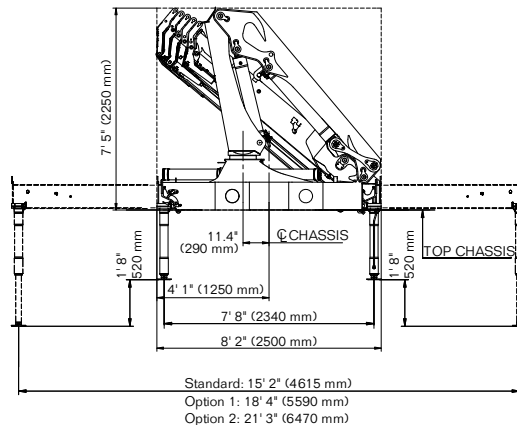
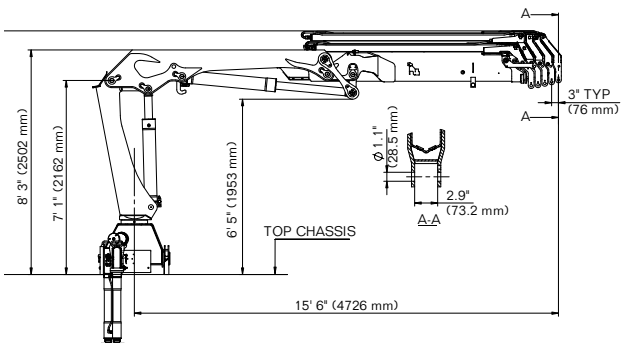
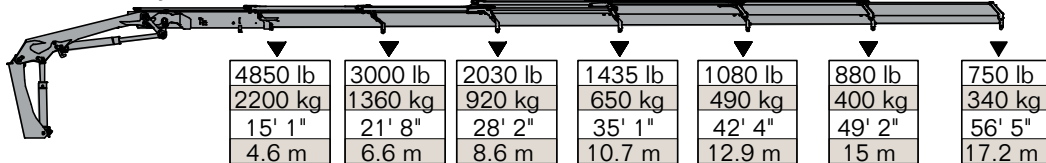
13/88SL - 4 Hydraulic



13/88SL - 5 Hydraulic

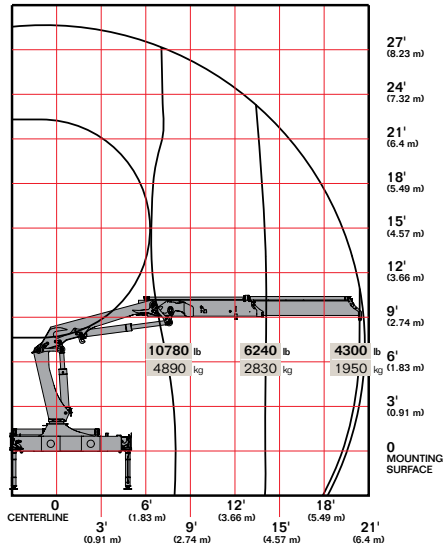


13/88SL - 6 Hydraulic

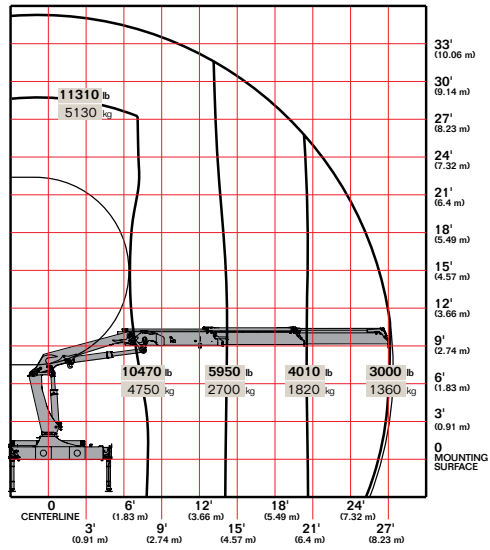


# ▶ 13/88DL Capacity Charts

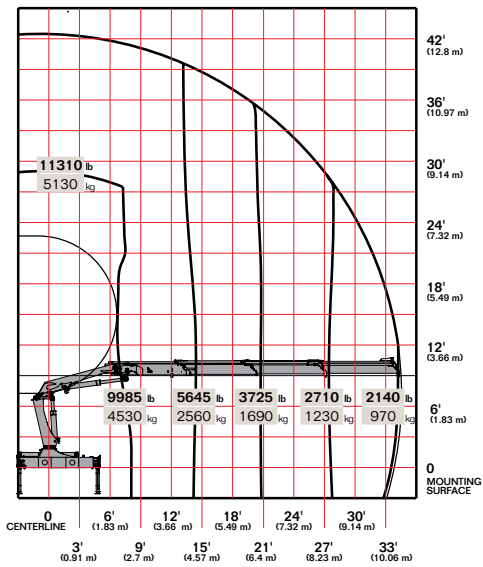
### 13/88DL K1



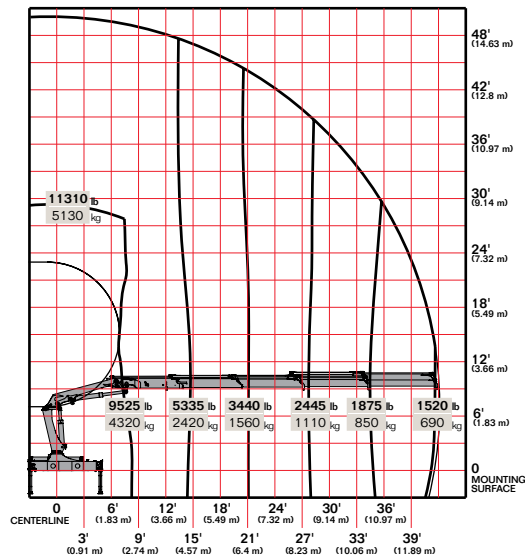
### 13/88DL K2



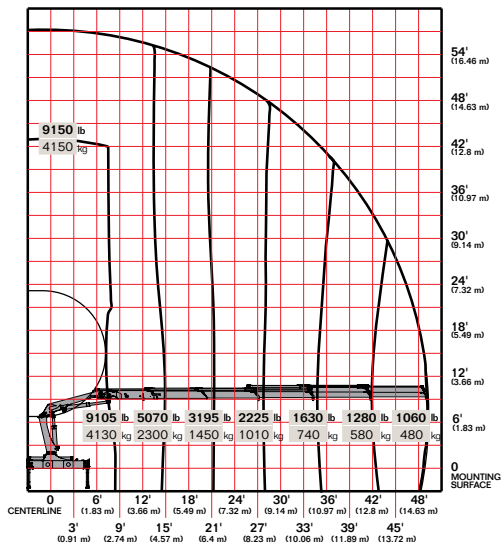
### 13/88DL K3



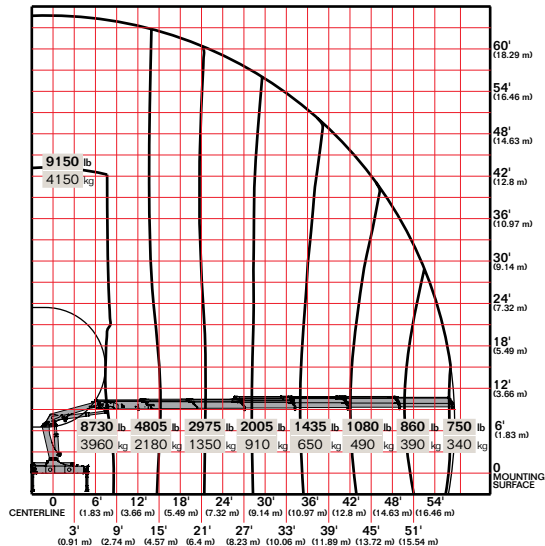
### 13/88DL K4



### 13/88DL K5



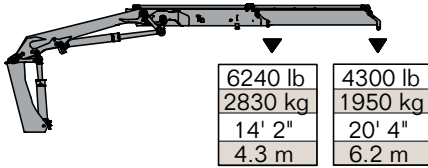
### 13/88DL K6



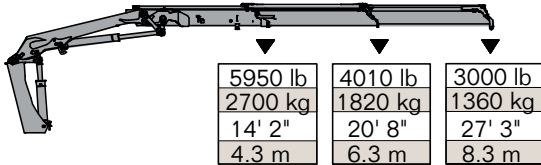
Limit working loads to those shown. Deduct the weight of load-handling devices.

# ▶ 13/88DL Lifting Capacity

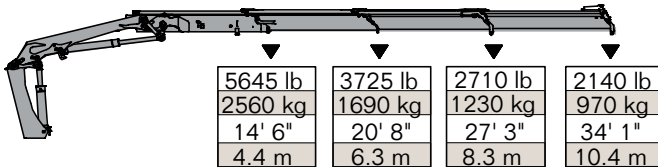
## 13/88DL - 1 Hydraulic



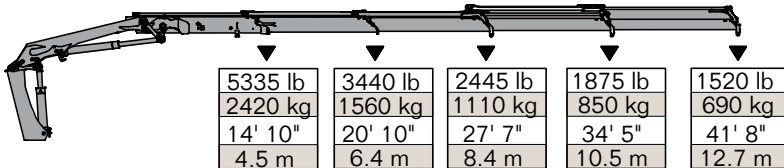
## 13/88DL - 2 Hydraulic



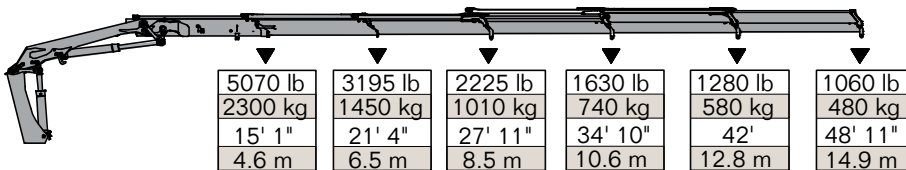
## 13/88DL - 3 Hydraulic



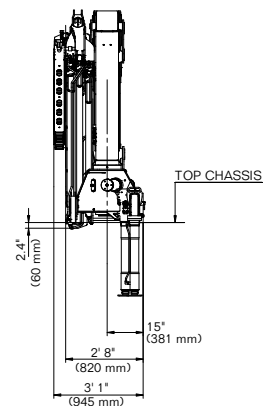
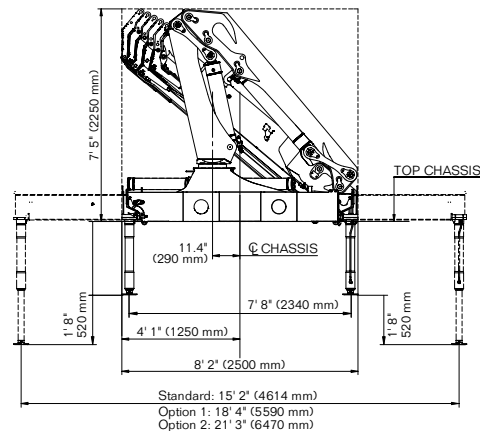
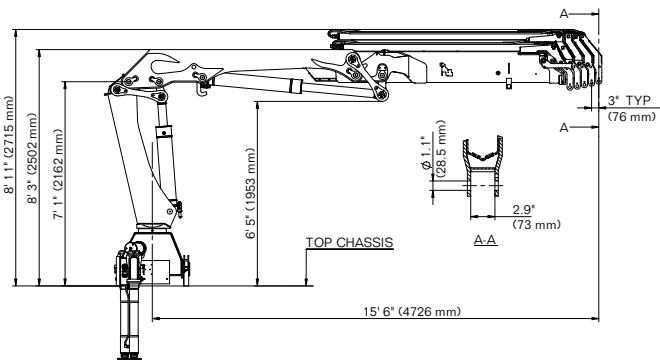
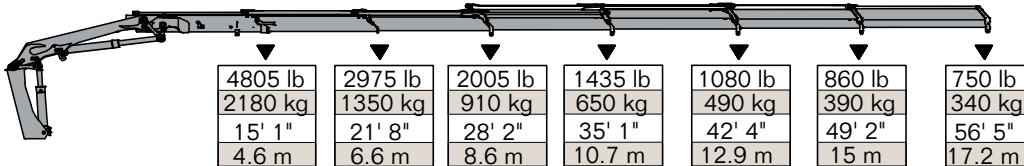
## 13/88DL - 4 Hydraulic



## 13/88DL - 5 Hydraulic



## 13/88DL - 6 Hydraulic



### Power Source

- Standard integral-mounted piston hydraulic pump and PTO application

### Cylinder Holding Valves

- Integral-mounted counterbalance valves or load-holding check valves
- Prevention of sudden cylinder collapse in case of hose failure

### Rotation System

- 400 degree rack and pinion
- 10,850 ft-lb (1.5 tm) rotational torque
- Counterbalance valve on each cylinder to stop motion in case of hose failure

### Hydraulic System

- Open-centered system — closed optional
- Regeneration system on extension cylinder to ensure quick deployment
- Hydraulic oil reservoir, air breather, replaceable return-line filter, and control valve with levers

### Overload System

- Load-limiting capability for boom functions
- Rated capacity limitation (RCL) 5300 blocks load-increasing functions when full capacity is attained



### Nothing Says Commitment Like The Diamond.™

IMT has been meeting the needs of our customers for over 50 years and none of it would have been possible without a distributor network that's second to none. IMT distributors offer fast, knowledgeable service and the ability to help customers find the right product for every application. When you're looking for reliable equipment and dependable service, remember IMT.



An Oshkosh Corporation Company

**Iowa Mold Tooling Co., Inc.**  
500 Highway 18 West  
Garner, Iowa 50438  
800-247-5958 • [www.imt.com](http://www.imt.com)

IMT reserves the right to make changes in engineering, design, and specifications; add improvements; or discontinue manufacturing at any time without notice or obligation. IMT, the IMT logo and NOTHING SAYS COMMITMENT LIKE THE DIAMOND are registered trademarks or trademarks of Iowa Mold Tooling Co., Inc., Garner, IA, USA.  
© 2013 Iowa Mold Tooling Co., Inc. All Rights Reserved.