

# Load Rating Chart

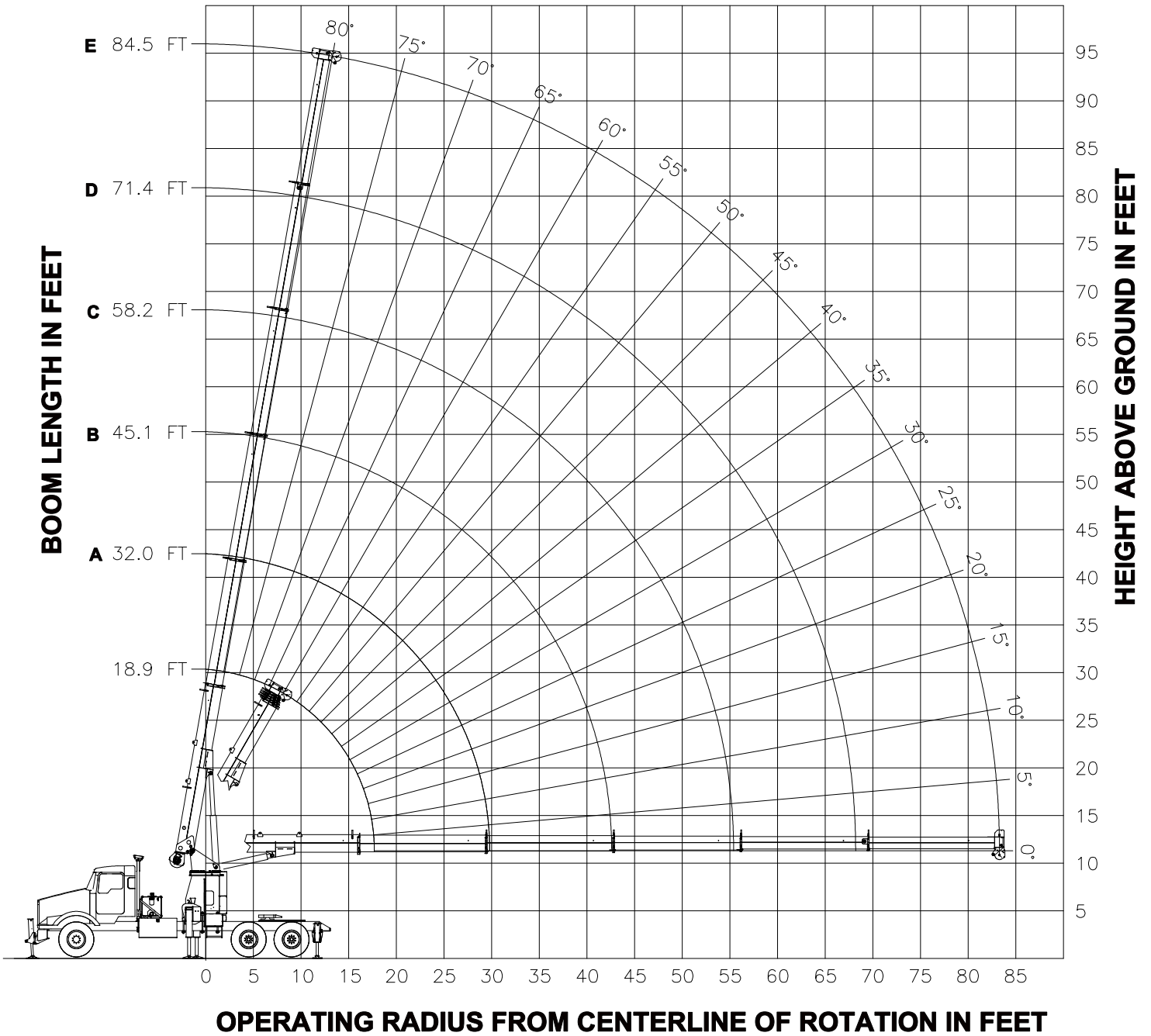
## *Model 2085T*



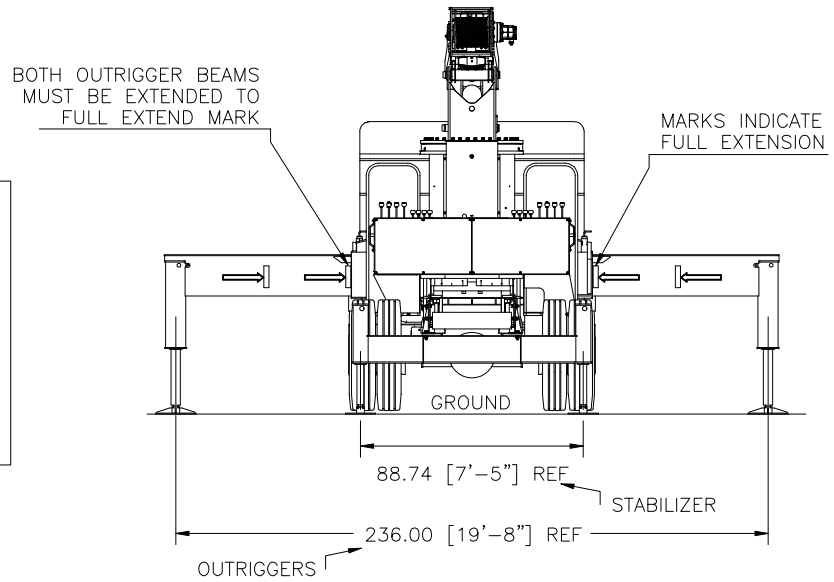
© Manitex

**NOTE:** Additional copies of this Load Rating Chart can be purchased from your Manitex Distributor. When ordering, use the part number shown in the bottom left corner of this page.

# RANGE DIAGRAM - FULL EXTENDED OUTRIGGER CONFIGURATION -



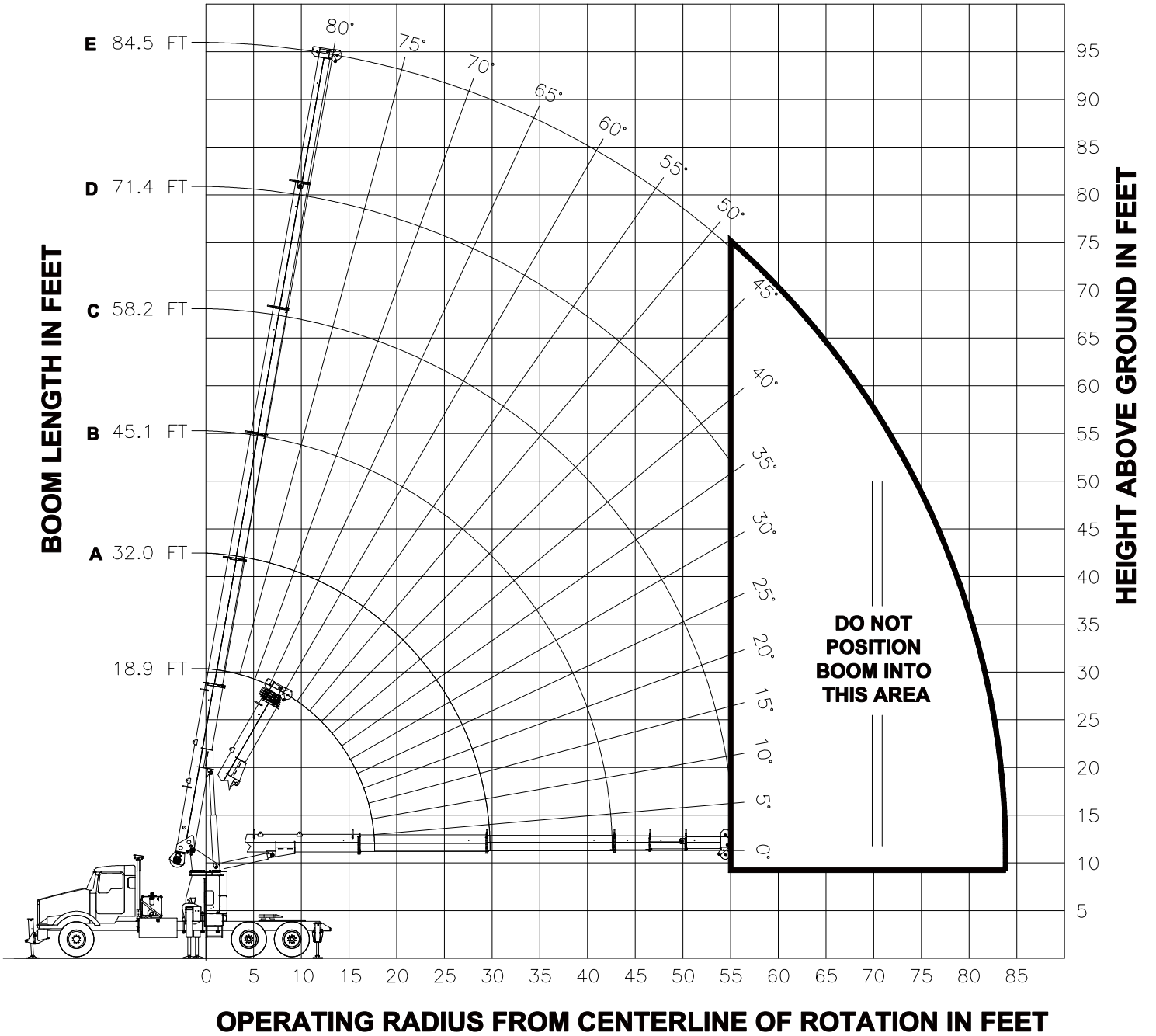
**USE THIS CHART ONLY  
WHEN OUTRIGGERS ARE  
FULLY EXTENDED  
AND STABILIZERS  
DEPLOYED**



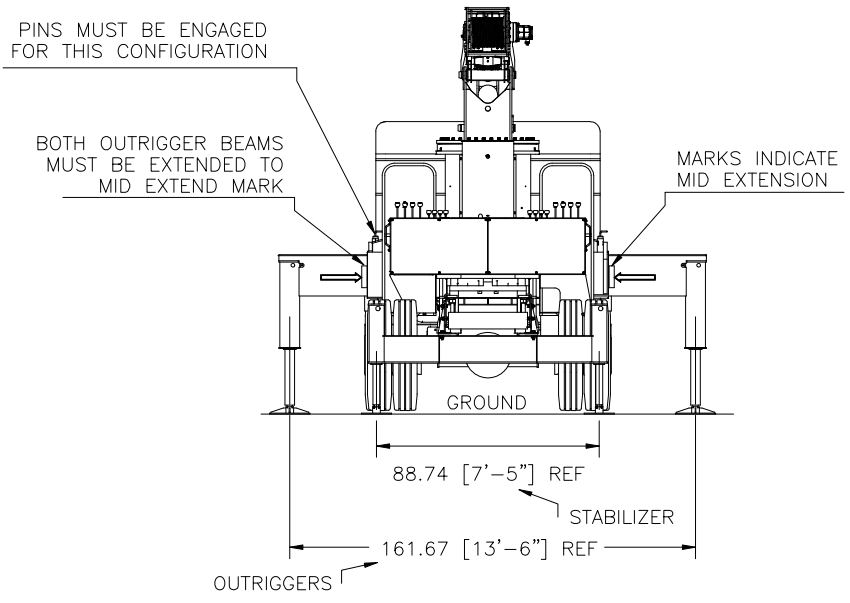
**LMI CODE 1  
- FULL EXTENDED OUTRIGGER CONFIGURATION -**

LOAD RADIUS (FT)	18.9 FT		32.0 FT (A)		45.1 FT (B)		58.2 FT (C)		71.4 FT (D)		84.5 FT (E)		LOAD RADIUS (FT)
	LOADED BOOM ANGLE	LOAD CAPACITY (LBS)	LOADED BOOM ANGLE	LOAD CAPACITY (LBS)	LOADED BOOM ANGLE	LOAD CAPACITY (LBS)	LOADED BOOM ANGLE	LOAD CAPACITY (LBS)	LOADED BOOM ANGLE	LOAD CAPACITY (LBS)	LOADED BOOM ANGLE	LOAD CAPACITY (LBS)	
5	72.0	40000											5
8	62.0	25300	74.0	18700									8
10	54.0	21300	70.5	18000	77.0	12600							10
12	45.0	18200	66.5	17100	74.0	12600	78.0	10000					12
14	35.0	16000	62.0	15000	71.5	12600	76.0	10000					14
16	21.0	14300	58.0	13500	69.0	12600	74.0	10000	78.0	9900			16
20			49.0	11000	63.0	10300	70.0	9300	75.0	8000	77.0	4600	20
25			35.0	8900	55.5	8300	65.0	7600	70.5	6600	74.0	4600	25
30					47.0	6800	59.0	6200	66.0	5600	71.0	4300	30
35					37.0	5330	53.0	5200	61.5	4700	67.0	3900	35
40					23.0	3880	46.0	4100	57.0	4000	63.0	3600	40
45							39.0	3560	51.5	3400	59.0	3100	45
50							29.0	2730	46.0	3000	55.0	2700	50
55									40.0	2500	50.5	2300	55
60									33.0	2010	46.0	2000	60
65									24.0	1580	41.0	1700	65
70											35.0	1400	70
75											28.0	1180	75
80											19.0	850	80
	0	9200	0	4300	0	2000	0	1200	0	600	0	350	

# RANGE DIAGRAM - MIDSPAN OUTRIGGER CONFIGURATION -



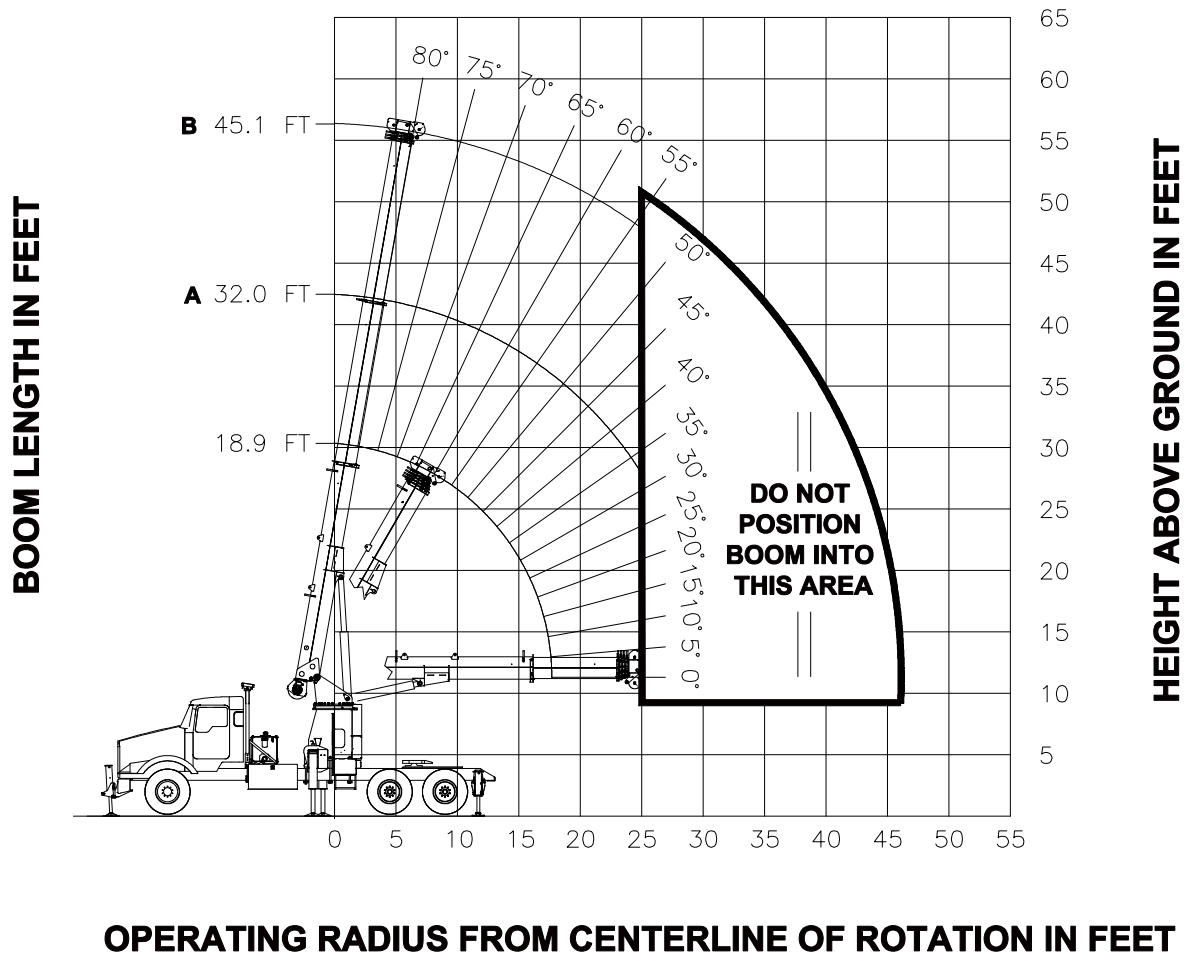
**USE THIS CHART ONLY  
WHEN OUTRIGGERS ARE  
MID EXTENDED  
AND STABILIZERS  
DEPLOYED**



**LMI CODE 2  
- INTERMEDIATE OUTRIGGER CONFIGURATION -**

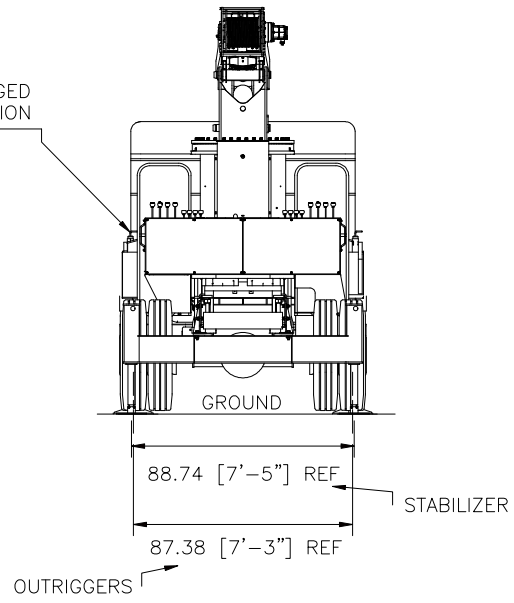
LOAD RADIUS (FT)	18.9 FT		32.0 FT (A)		45.1 FT (B)		58.2 FT (C)		71.4 FT (D)		84.5 FT (E)		LOAD RADIUS (FT)
	LOADED BOOM ANGLE	LOAD CAPACITY (LBS)	LOADED BOOM ANGLE	LOAD CAPACITY (LBS)	LOADED BOOM ANGLE	LOAD CAPACITY (LBS)	LOADED BOOM ANGLE	LOAD CAPACITY (LBS)	LOADED BOOM ANGLE	LOAD CAPACITY (LBS)	LOADED BOOM ANGLE	LOAD CAPACITY (LBS)	
5	72.0	40000											5
8	62.0	25300	74.0	18700									8
10	54.0	21300	70.5	18000	77.0	12600							10
12	45.0	18200	66.5	17100	74.0	12600	78.0	10000					12
14	35.0	16000	62.0	15000	71.5	12600	76.0	10000					14
16	21.0	14190	58.0	13500	69.0	12600	74.0	10000	78.0	9900			16
20			49.0	6170	63.0	8650	70.0	9300	75.0	8000	77.0	4600	20
25			35.0	4050	55.5	4100	65.0	6130	70.5	6590	74.0	4600	25
30					47.0	2580	59.0	3150	66.0	4610	71.0	4300	30
35					37.0	1590	53.0	2150	61.5	2510	67.0	3630	35
40					23.0	870	46.0	1420	57.0	1810	63.0	2020	40
45							39.0	920	51.5	1230	59.0	1470	45
50									46.0	820	55.0	1050	50
55											50.5	710	55
60													60

# RANGE DIAGRAM - RETRACTED OUTRIGGER CONFIGURATION -



**USE THIS CHART ONLY  
WHEN OUTRIGGERS ARE  
FULLY RETRACTED  
AND STABILIZERS  
DEPLOYED**

PINS MUST BE ENGAGED  
FOR THIS CONFIGURATION



**LMI CODE 3  
- RETRACTED OUTRIGGER CONFIGURATION -**

LOAD RADIUS (FT)	18.9 FT		32.0 FT (A)		45.1 FT (B)		LOAD RADIUS (FT)
	LOADED BOOM ANGLE	LOAD CAPACITY (LBS)	LOADED BOOM ANGLE	LOAD CAPACITY (LBS)	LOADED BOOM ANGLE	LOAD CAPACITY (LBS)	
5	72.0	40000					5
8	62.0	18720	74.0	17310			8
10	54.0	11750	70.5	10740	77.0	11100	10
12	45.0	8160	66.5	7270	74.0	7460	12
14	35.0	6010	62.0	5100	71.5	5380	14
16	21.0	4550	58.0	3720	69.0	3980	16
20			49.0	1960	63.0	2090	20
25			35.0	660	55.5	780	25
30							30





## **WARNING (CONTINUED)**

2. POSITIONING OR OPERATION OF CRANE BEYOND AREAS SHOWN ON THIS CHART IS NOT INTENDED OR APPROVED EXCEPT WHERE SPECIFIED IN OWNER'S MANUAL.
3. LOADED BOOM ANGLES AT SPECIFIED BOOM LENGTHS GIVE ONLY AN APPROXIMATION OF THE OPERATING RADIUS. THE BOOM ANGLE BEFORE LOADING SHOULD BE GREATER TO ACCOUNT FOR DEFLECTIONS. DO NOT EXCEED THE OPERATING RADIUS FOR RATED LOADS.
4. FOR BOOM LENGTHS NOT SHOWN, USE RATING OF NEXT SHORTER OR LONGER BOOM LENGTH, WHICHEVER IS LESS. FOR RADII NOT SHOWN, USE RATING OF NEXT LONGER RADIUS.
5. CRANE LOAD RATINGS ON OUTRIGGERS ARE BASED ON FREELY SUSPENDED LOADS WITH THE MACHINE LEVELED AND STANDING ON A FIRM UNIFORM SUPPORTING SURFACE. NO ATTEMPT SHALL BE MADE TO MOVE A LOAD HORIZONTALLY ON THE GROUND IN ANY DIRECTION.
6. PRACTICAL WORKING LOADS DEPEND ON SUPPORTING SURFACE, WIND, AND OTHER FACTORS AFFECTING STABILITY SUCH AS HAZARDOUS SURROUNDINGS, EXPERIENCE OF PERSONNEL, AND PROPER HANDLING, ALL OF WHICH MUST BE TAKEN INTO ACCOUNT BY THE OPERATOR.
7. THE MAXIMUM LOAD WHICH MAY BE TELESCOPED IS LIMITED BY HYDRAULIC PRESSURE, BOOM ANGLE, AND BOOM LUBRICATION. IT IS SAFE TO ATTEMPT TO TELESCOPE ANY LOAD WITHIN THE LIMITS OF THE LOAD RATING CHART.

## **INFORMATION**

1. DEDUCTIONS MUST BE MADE FROM RATED LOADS FOR STOWED JIB (IF EQUIPPED), OPTIONAL ATTACHMENTS, HOOKS, AND LOADBLOCKS (SEE DEDUCTION CHART). WEIGHTS OF SLINGS AND ALL OTHER LOAD HANDLING DEVICES SHALL BE CONSIDERED A PART OF THE LOAD.
2. LOAD RATINGS ABOVE THE HEAVY LINE ARE STRUCTURALLY LIMITED CAPACITIES. LOAD RATINGS BELOW THE HEAVY LINE ARE STABILITY LIMITED CAPACITIES AND DO NOT EXCEED 85% OF TIPPING.

## **DEFINITIONS**

1. OPERATING RADIUS IS THE HORIZONTAL DISTANCE FROM THE AXIS OF ROTATION TO THE CENTER OF THE VERTICAL HOIST LINE OR TACKLE WITH LOAD APPLIED.
2. LOADED BOOM ANGLE AS SHOWN IN THE COLUMN HEADED BY  $\angle$ , IS THE INCLUDED ANGLE BETWEEN THE HORIZONTAL AND LONGITUDINAL AXES OF THE BOOM BASE AFTER LIFTING RATED LOAD AT RATED RADIUS.