

Load Rating Chart

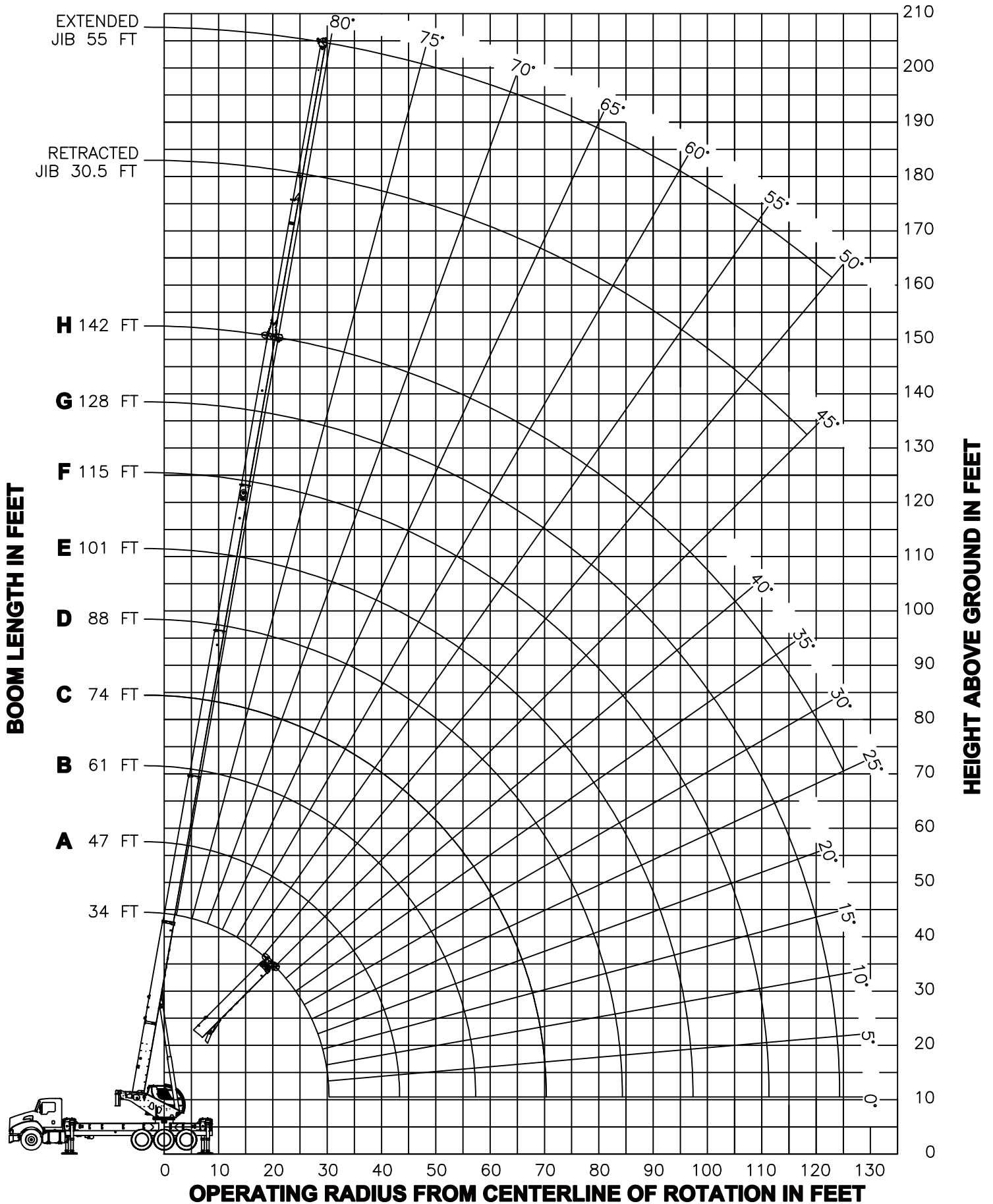
Model TC40142

Manitex

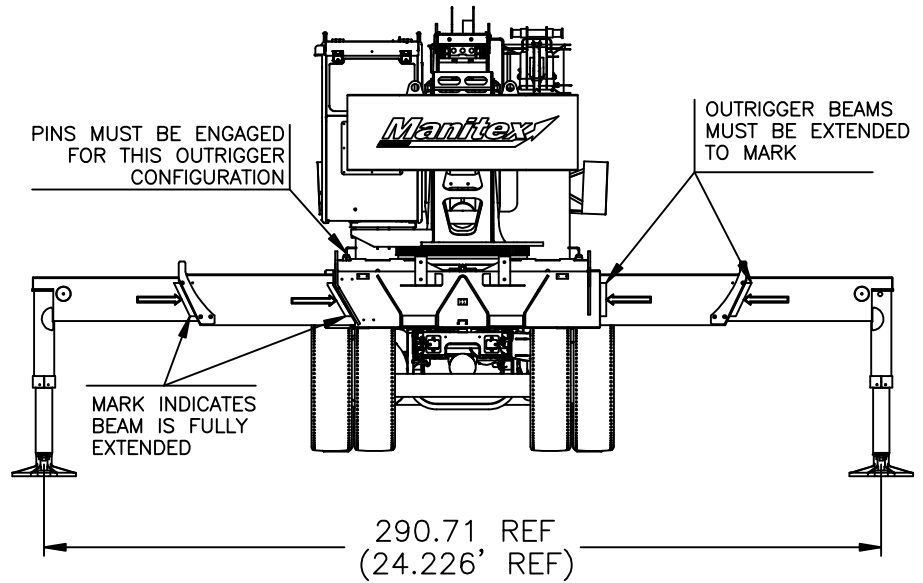
© Manitex 2000

NOTE: Additional copies of this Load Rating Chart can be purchased from your Manitex Distributor. When ordering, use the part number shown in the bottom left corner of this page.

RANGE DIAGRAM - FULLY EXTENDED OUTRIGGER CONFIGURATION -



**USE THIS CHART ONLY
WHEN ALL
OUTRIGGERS ARE
FULLY EXTENDED**

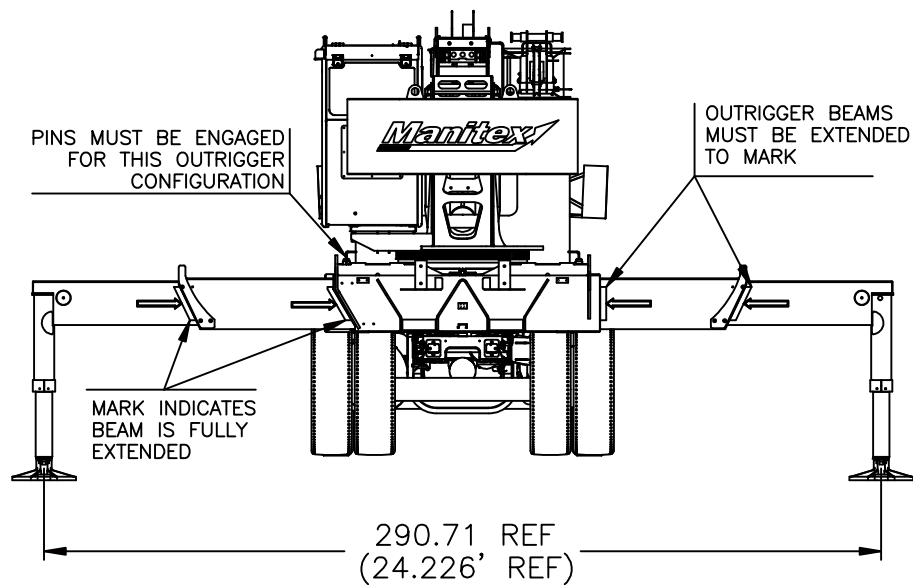


- FULLY EXTENDED OUTRIGGER CONFIGURATION -

MAIN BOOM LMI CODE 3																			
LOAD RADIUS (FT)	34 FT		47 FT (A)		61 FT (B)		74 FT (C)		88 FT (D)		101 FT (E)		115 FT (F)		128 FT (G)		142 FT (H)		LOAD RADIUS (FT)
	∠	LOAD CAPACITY (LBS)	∠	LOAD CAPACITY (LBS)	∠	LOAD CAPACITY (LBS)	∠	LOAD CAPACITY (LBS)	∠	LOAD CAPACITY (LBS)	∠	LOAD CAPACITY (LBS)	∠	LOAD CAPACITY (LBS)	∠	LOAD CAPACITY (LBS)	∠	LOAD CAPACITY (LBS)	
7	73	80000																	7
8	71	80000	77	42000															8
10	67	70500	74	42000	79	42000													10
12	64	61000	72	42000	77	42000	80	35700											12
15	58	47890	68	42000	74	40960	78	35700	80	24200									15
20	47	34460	61	35060	69	35380	74	30970	77	24200	79	17550							20
25	33	26210	54	26850	64	27180	70	27360	74	21730	76	16210	79	13650					25
30	9	19380	46	21310	58	21650	65	21830	70	19680	74	15010	77	12750	79	10050	80	8000	30
35			36	17290	52	17660	61	17850	67	17060	71	13860	74	11700	76	9800	78	7800	35
40			23	14240	46	14640	56	14840	63	14970	68	12810	71	10920	74	9400	76	7600	40
45					39	12280	51	12480	59	12620	64	11440	69	10230	72	8800	74	7350	45
50					30	10370	46	10590	55	10730	61	10200	66	9550	69	8300	72	7050	50
55					18	8470	40	8770	51	8940	58	9050	63	8260	67	7900	70	6800	55
60							33	7250	47	7430	54	7540	60	7620	64	7450	68	6500	60
65							24	5770	42	5980	50	6110	57	6390	62	6440	66	6100	65
70							8	4630	36	4890	46	5020	54	5110	59	5170	64	5220	70
75									30	3990	42	4120	51	4200	56	4270	61	4320	75
80									21	3220	37	3360	47	3450	54	3510	59	3560	80
85											32	2710	43	2810	51	2870	56	2910	85
90											25	2140	39	2250	47	2300	54	2350	90
95											17	1630	35	1750	44	1820	51	1870	95
100													30	1320	40	1390	48	1440	100
105													23	940	36	1000	45	1050	105
110																	42	710	110
115																			115
	840 LBS		560 LBS		450 LBS		380 LBS		330 LBS		290 LBS		260 LBS		230 LBS		210 LBS		

DEDUCTIONS FROM MAIN BOOM CAPACITIES FOR STOWED TELESCOPIC JIB

**USE THIS CHART ONLY
WHEN ALL
OUTRIGGERS ARE
FULLY EXTENDED**

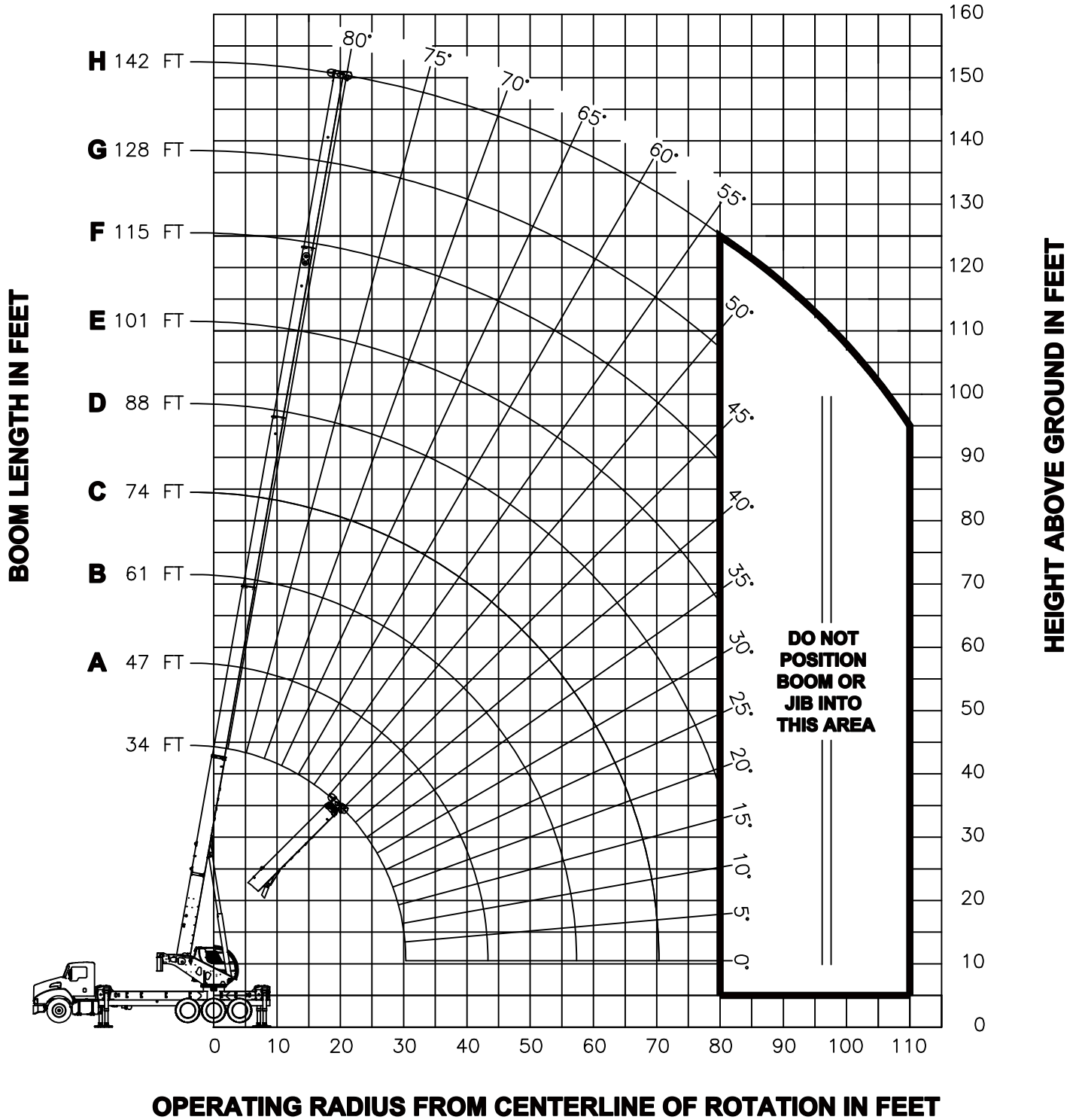


- FULLY EXTENDED OUTRIGGER CONFIGURATION -

JIB LOAD CAPACITIES

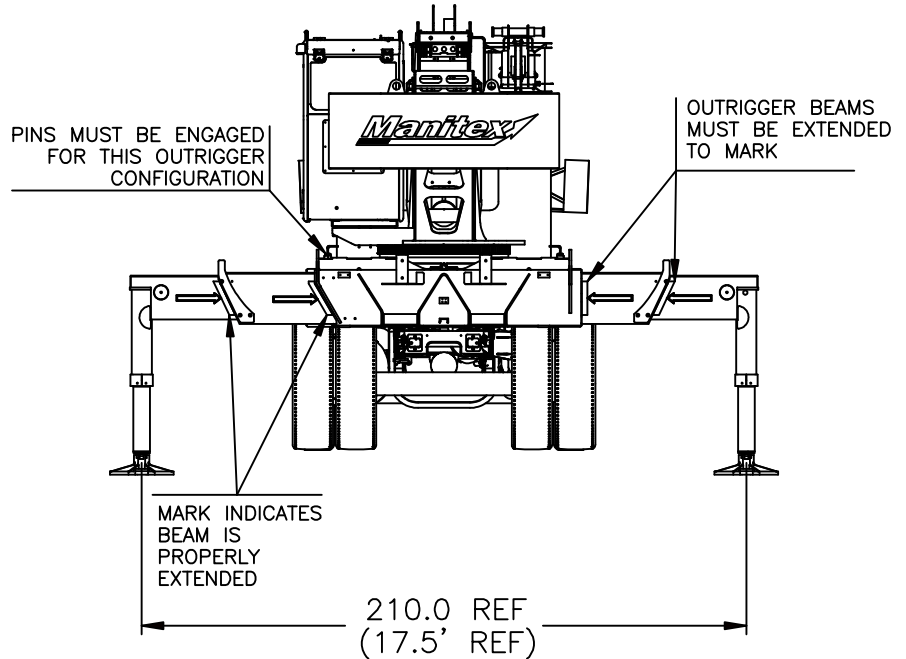
LOAD RADIUS (FT) REF	30.5 FT TELE JIB LMI CODE 7		55 FT TELE JIB LMI CODE 13		LOAD RADIUS (FT) REF
	LOADED BOOM ANGLE (DEG)	LOAD CAPACITY (LBS)	LOADED BOOM ANGLE (DEG)	LOAD CAPACITY (LBS)	
30					30
35	79.0	3450			35
40	77.2	3400	79.4	2500	40
45	76.1	3350	78.0	2250	45
50	74.7	3300	76.7	2250	50
55	73.2	3180	75.6	2250	55
60	71.5	2920	74.5	2250	60
65	69.4	2760	73.1	2100	65
70	68.0	2610	72.1	1970	70
75	66.3	2470	70.5	1860	75
80	64.5	2340	68.7	1760	80
85	62.9	2220	67.1	1670	85
90	61.1	2110	66.1	1590	90
95	59.4	2010	64.6	1530	95
100	57.4	1760	62.9	1460	100
105	54.5	1370	61.4	1400	105
110	52.7	1020	60.2	1340	110
115					115
120					120
125					125
130					130

RANGE DIAGRAM - INTERMEDIATE OUTRIGGER CONFIGURATION -



NOTE : LIFTING PERSONNEL WITH CRANE IN THIS OUTRIGGER CONFIGURATION IS STRICTLY PROHIBITED. USE ONLY FULLY EXTENDED OUTRIGGER CONFIGURATION WHEN LIFTING PERSONNEL.

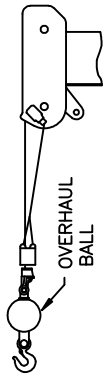


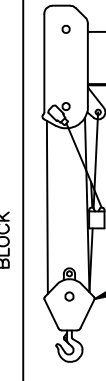

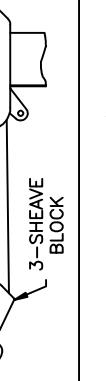
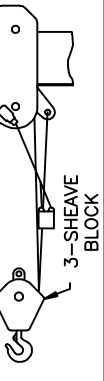
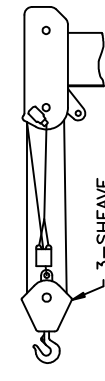
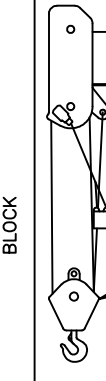
**USE THIS CHART ONLY
WHEN ALL
OUTRIGGERS ARE IN
THE INTERMEDIATE
POSITION**



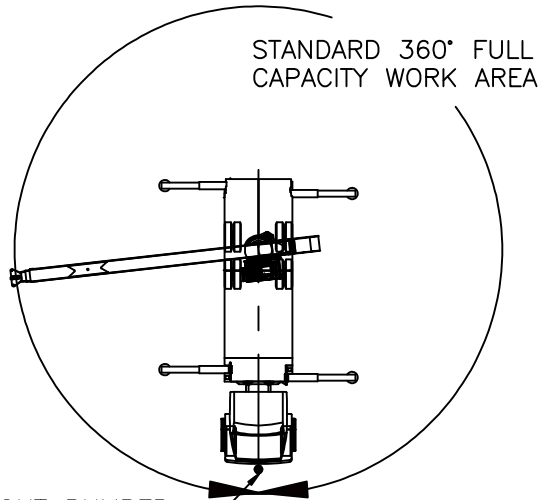
- INTERMEDIATE OUTRIGGER CONFIGURATION -

MAIN BOOM LMI CODE 4																			
LOAD RADIUS (F)	34 FT		47 FT (A)		61 FT (B)		74 FT (C)		88 FT (D)		101 FT (E)		115 FT (F)		128 FT (G)		142 FT (H)		LOAD RADIUS (F)
	∠	LOAD CAPACITY (LBS)	∠	LOAD CAPACITY (LBS)	∠	LOAD CAPACITY (LBS)	∠	LOAD CAPACITY (LBS)	∠	LOAD CAPACITY (LBS)	∠	LOAD CAPACITY (LBS)	∠	LOAD CAPACITY (LBS)	∠	LOAD CAPACITY (LBS)	∠	LOAD CAPACITY (LBS)	
7	73	80000																	5
8	71	80000	77	42000															8
10	67	70500	74	42000	79	42000													10
12	64	61000	72	42000	77	42000	80	35700											12
15	58	47890	68	42000	74	40960	78	35700	80	24200									15
20	47	31570	61	32530	69	33070	74	30970	77	24200	79	17550							20
25	33	19730	54	20610	64	21070	70	21340	74	19730	76	16210	79	13650					25
30	9	13290	46	14280	58	14710	65	14960	70	15130	74	13960	77	12750	79	10050	80	8000	30
35			36	10340	52	10770	61	11000	67	11160	71	11270	74	11360	76	9800	78	7800	35
40			23	7620	46	8080	56	8310	63	8470	68	8570	71	8650	74	8700	76	7600	40
45					39	6130	51	6360	59	6510	64	6610	69	6680	72	6730	74	6780	45
50					30	4630	46	4870	55	5020	61	5120	66	5190	69	5240	72	5280	50
55					18	3440	40	3700	51	3860	58	3950	63	4030	67	4070	70	4110	55
60							33	2760	47	2920	54	3010	60	3090	64	3130	68	3170	60
65							24	1970	42	2140	50	2240	57	2310	62	2360	66	2400	65
70									36	1490	46	1590	54	1660	59	1710	64	1750	70
75									30	930	42	1040	51	1110	56	1160	61	1190	75
80																	59	720	80
85																			85
90																			90
	840 LBS		560 LBS		450 LBS		380 LBS		330 LBS		290 LBS		260 LBS		230 LBS		210 LBS		

DEDUCTIONS FROM MAIN BOOM CAPACITIES FOR STOWED TELESCOPIC JIB

ALLOWABLE LINE PULL									WARNING
1 PART LINE	2 PART LINE	3 PART LINE	4 PART LINE	5 PART LINE	6 PART LINE	7 PART LINE	8 PART LINE	9 PART LINE	
									<p>ANTI-TWO-BLOCK SYSTEM MUST BE IN GOOD OPERATING CONDITION BEFORE OPERATING CRANE.</p> <p>REFER TO THE OWNER'S MANUAL.</p> <p>KEEP AT LEAST 3 WRAPS OF LOAD LINE ON THE DRUM AT ALL TIMES.</p>
9500 LBS	19000 LBS	28500 LBS	38000 LBS	47500 LBS	57000 LBS	66500 LBS	76000 LBS	85500 LBS	
10000 LBS	20000 LBS	30000 LBS	40000 LBS	50000 LBS	60000 LBS	70000 LBS	80000 LBS	90000 LBS	5/8" 6 X 25 IWRC (3.5:1 SF) - 35000 LBS MIN BREAKING STRENGTH

AREA OF OPERATION



STANDARD 360° FULL CAPACITY WORK AREA

IF EQUIPPED, FRONT BUMPER STABILIZER MUST BE SET IN ACCORDANCE WITH OPERATORS MANUAL BEFORE WORKING IN FULL 360° WORKING AREA

DEDUCTIONS FROM RATED LOADS FOR LOAD HANDLING DEVICES SUPPLIED BY MANITEX

- AUXILIARY BLOCK ----- 50 LBS
- OVERHAUL BALL ----- SEE OVERHAUL BALL MFRG. NAMEPLATE
- LOAD BLOCK ----- SEE LOADBLOCK MFRG. NAMEPLATE
- SWING AROUND JIBS (STOWED) ----- SEE LOAD CHART

LMI OPERATING CODES

SETTING	CRANE CONFIGURATION	OUTRIGGER CONFIGURATION
#3	— MAIN BOOM — — — — — — — — — — — — — — — — — —	FULLY EXTENDED
#7	— TELESCOPIC JIB—RETRACTED — — — — — — — — — — — — — — — — — —	FULLY EXTENDED
#13	— TELESCOPIC JIB—EXTENDED — — — — — — — — — — — — — — — — — —	FULLY EXTENDED
#25	— PERSONNEL LIFTING PLATFORM ON MAIN BOOM — — — — — — — — — — — — — — — — — —	FULLY EXTENDED
#26	— PERSONNEL LIFTING PLATFORM ON TELESCOPIC JIB—RETRACTED — — — — — — — — — — — — — — — — — —	FULLY EXTENDED
#29	— PERSONNEL LIFTING PLATFORM ON TELESCOPIC JIB—EXTENDED — — — — — — — — — — — — — — — — — —	FULLY EXTENDED
#4	— MAIN BOOM — — — — — — — — — — — — — — — — — —	INTERMEDIATE

WARNING

1. THE OPERATOR MUST READ AND UNDERSTAND THE OWNER’S MANUAL BEFORE OPERATING THIS CRANE.

2. POSITIONING OR OPERATION OF CRANE BEYOND AREAS SHOWN ON THIS CHART IS NOT INTENDED OR APPROVED EXCEPT WHERE SPECIFIED IN OWNER’S MANUAL.

3. LOADED BOOM ANGLES AT SPECIFIED BOOM LENGTHS GIVE ONLY AN APPROXIMATION OF THE OPERATING RADIUS. THE BOOM ANGLE BEFORE LOADING SHOULD BE GREATER TO ACCOUNT FOR DEFLECTIONS. DO NOT EXCEED THE OPERATING RADIUS FOR RATED LOADS.

4. THE OPERATING RADIUS SHOWN IN THE JIB RATING CHART IS FOR FULLY EXTENDED BOOM ONLY. WHEN BOOM IS NOT FULLY EXTENDED, USE ONLY LOADED BOOM ANGLE TO DETERMINE LOAD RATING OF JIB.

5. FOR BOOM ANGLES NOT SHOWN ON JIB LOAD RATING CHART, USE RATING OF NEXT LOWER BOOM ANGLE.

6. FOR BOOM LENGTHS NOT SHOWN, USE RATING OF NEXT SHORTER OR LONGER BOOM LENGTH, WHICHEVER IS LESS. FOR RADII NOT SHOWN, USE RATING OF NEXT LONGER RADIUS.

7. CRANE LOAD RATINGS ON OUTRIGGERS ARE BASED ON FREELY SUSPENDED LOADS WITH THE MACHINE LEVELED AND STANDING ON A FIRM UNIFORM SUPPORTING SURFACE. NO ATTEMPT SHALL BE MADE TO MOVE A LOAD HORIZONTALLY ON THE GROUND IN ANY DIRECTION.

WARNING (CONTINUED)

8. PRACTICAL WORKING LOADS DEPEND ON SUPPORTING SURFACE, WIND, AND OTHER FACTORS AFFECTING STABILITY SUCH AS HAZARDOUS SURROUNDINGS, EXPERIENCE OF PERSONNEL, AND PROPER HANDLING, ALL OF WHICH MUST BE TAKEN INTO ACCOUNT BY THE OPERATOR.
9. THE MAXIMUM LOAD WHICH MAY BE TELESCOPED IS LIMITED BY HYDRAULIC PRESSURE, BOOM ANGLE, AND BOOM LUBRICATION. IT IS SAFE TO ATTEMPT TO TELESCOPE ANY LOAD WITHIN THE LIMITS OF THE LOAD RATING CHART.
10. LIFTING OFF THE MAIN BOOM POINT WHILE THE SWING AROUND JIB IS ERECTED IS NOT INTENDED OR APPROVED.

INFORMATION

1. DEDUCTIONS MUST BE MADE FROM RATED LOADS FOR STOWED JIB, OPTIONAL ATTACHMENTS, HOOKS, AND LOAD BLOCKS (SEE DEDUCTION CHART). WEIGHTS OF SLINGS AND ALL OTHER LOAD HANDLING DEVICES SHALL BE CONSIDERED A PART OF THE LOAD.
2. LOAD RATINGS ABOVE THE HEAVY LINE ARE STRUCTURALLY LIMITED CAPACITIES. LOAD RATINGS BELOW THE HEAVY LINE ARE STABILITY LIMITED CAPACITIES AND DO NOT EXCEED 85% OF TIPPING.

DEFINITIONS

1. OPERATING RADIUS IS THE HORIZONTAL DISTANCE FROM THE AXIS OF ROTATION TO THE CENTER OF THE VERTICAL HOIST LINE OR TACKLE WITH LOAD APPLIED.
2. LOADED BOOM ANGLE AS SHOWN IN THE COLUMN HEADED BY \angle , IS THE INCLUDED ANGLE BETWEEN THE HORIZONTAL AND LONGITUDINAL AXES OF THE BOOM BASE AFTER LIFTING RATED LOAD AT RATED RADIUS.