

Range Diagram For Rotating Man Basket

Model 50155SHL



© Manitex 2000

NOTE: Additional copies of this Load Rating Chart can be purchased from your Manitex Distributor. When ordering, use the part number shown in the bottom left corner of this page.

LMI OPERATING CODES FOR LIFTING PERSONNEL WITH MANITEX AUTHORIZED ROTATING MAN BASKET

CODE	CRANE CONFIGURATION	OUTRIGGER CONFIGURATION	AREA OF OPERATION
#25-	PERSONNEL LIFTING MAIN BOOM	— — — — — FULLY EXTENDED	FULL 360°
#26-	PERSONNEL LIFTING FIXED JIB 0° OFFSET	— — — — — FULLY EXTENDED	FULL 360°
#27-	PERSONNEL LIFTING FIXED JIB 15° OFFSET	— — — — — FULLY EXTENDED	FULL 360°
#28-	PERSONNEL LIFTING FIXED JIB 30° OFFSET	— — — — — FULLY EXTENDED	FULL 360°

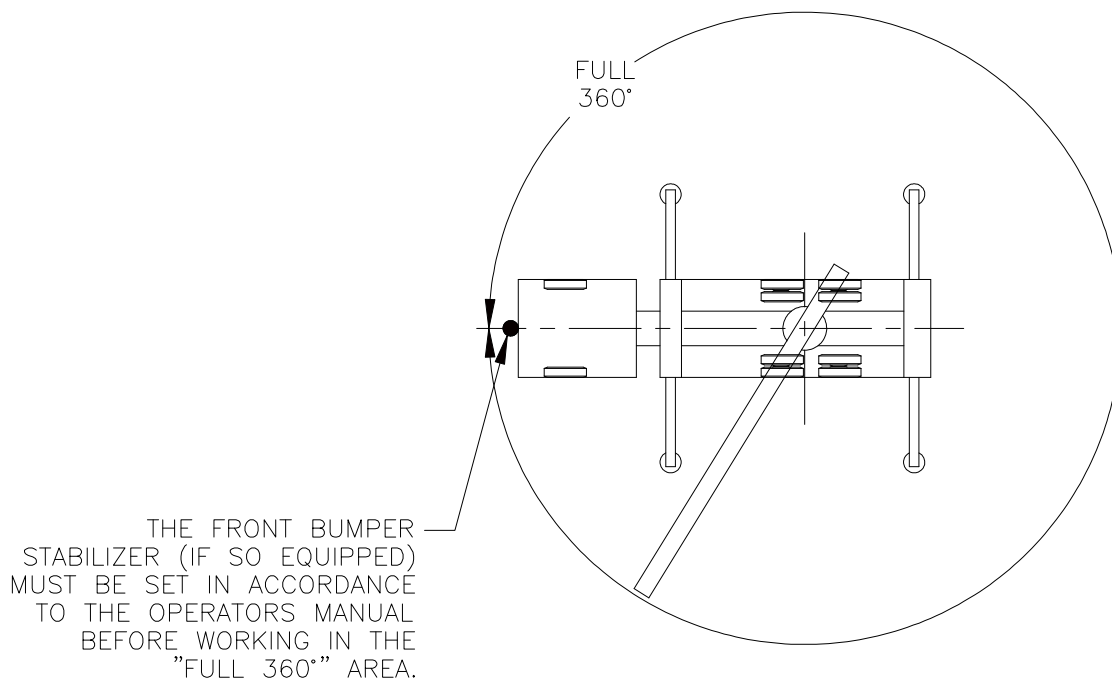
WARNING

1. THE OPERATOR MUST READ AND UNDERSTAND THE OWNER'S MANUAL FOR THE CRANE AND THE OPERATION MANUAL FOR THE ROTATING MAN BASKET BEFORE LIFTING PERSONNEL.

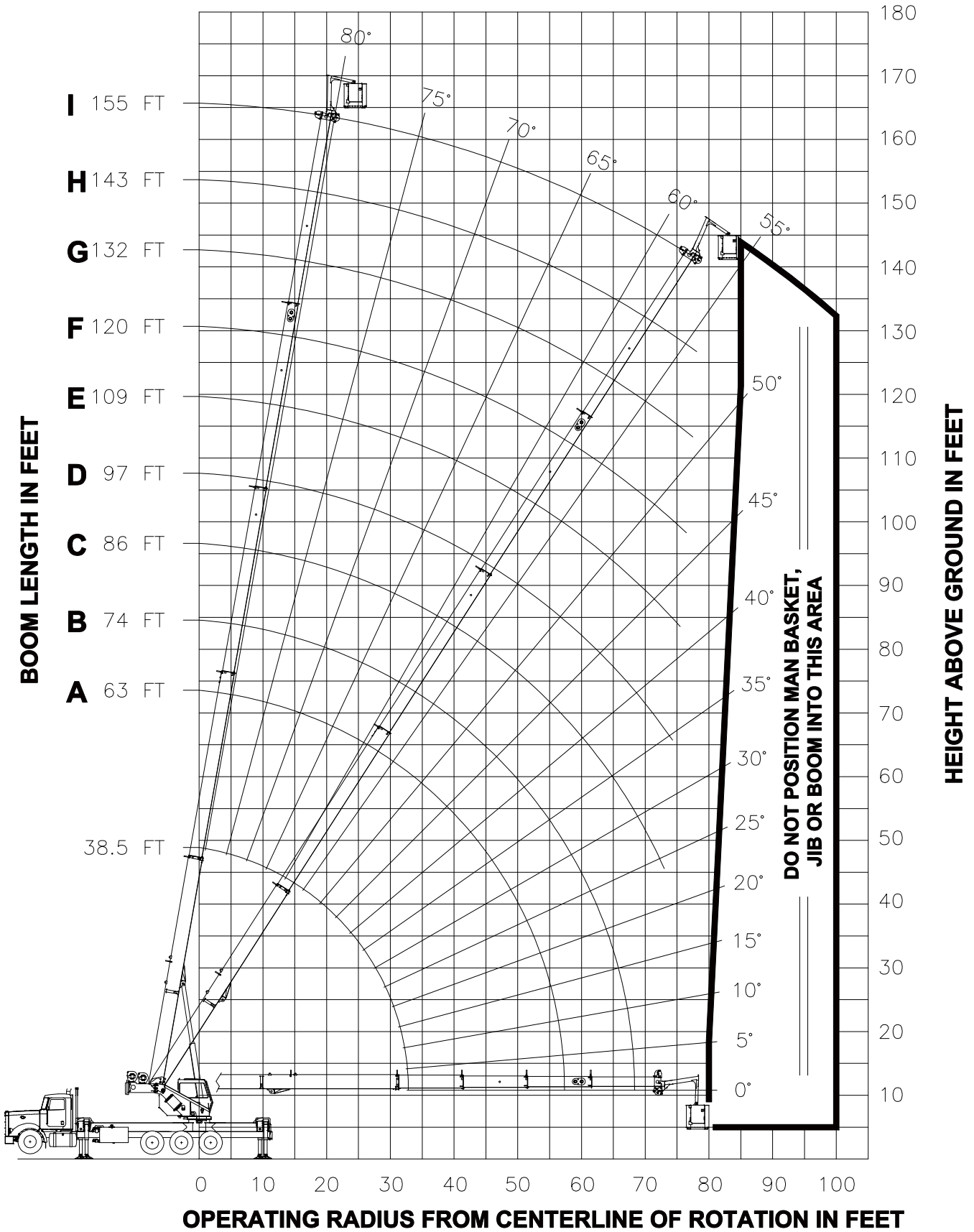
2. POSITIONING OF THE MANBASKET BEYOND AREAS SHOWN ON THE RANGE DIAGRAMS IS NOT INTENDED OR APPROVED EXCEPT WHERE SPECIFIED IN THE OPERATION MANUALS.

3. THIS DOCUMENT IS BASED ON THE MAN BASKET LOADED TO THE MAXIMUM RATED CAPACITY AS STATED ON A DECAL IN THE BASKET AND IN THE OPERATION MANUAL. NEVER LOAD THE BASKET ABOVE THE RATED CAPACITY.

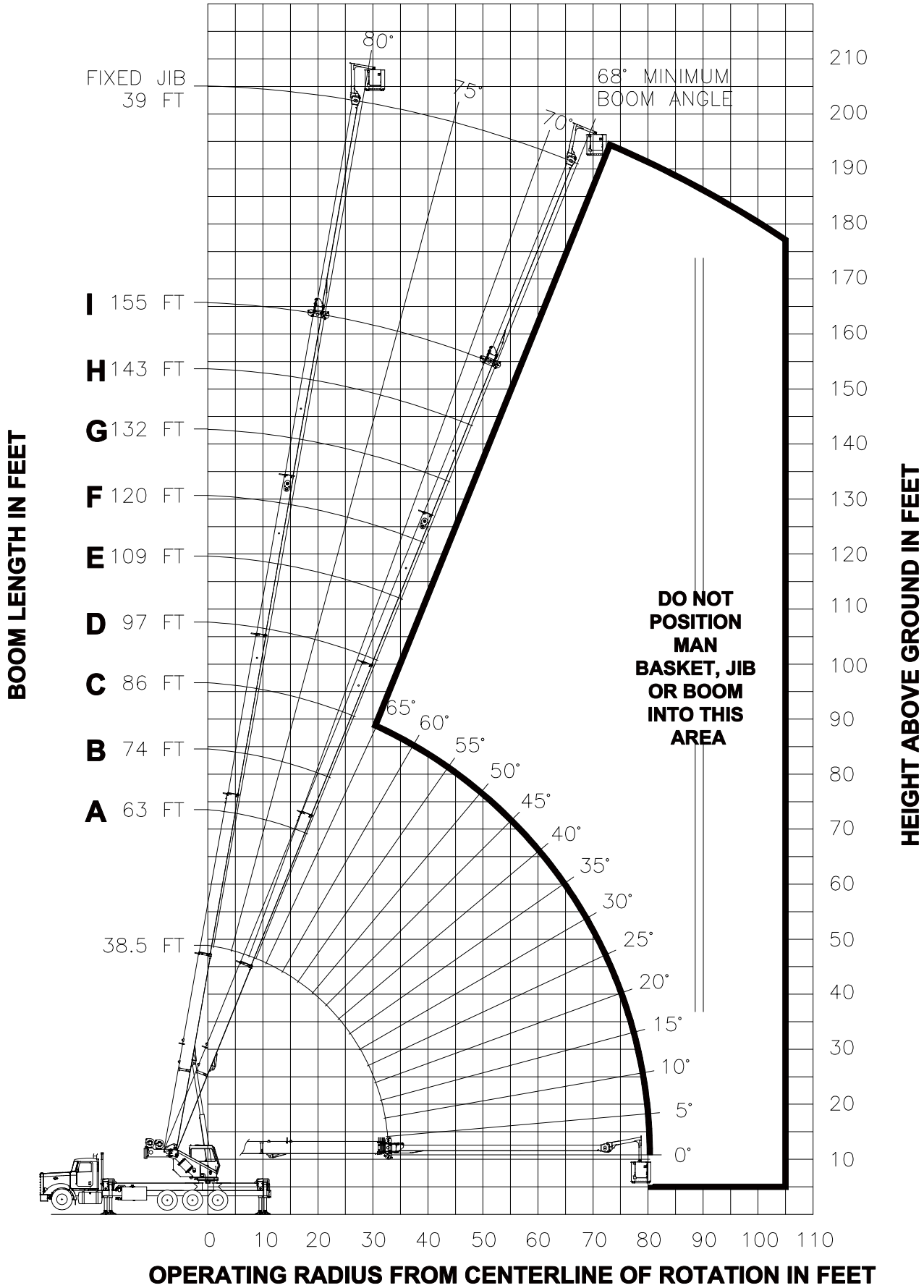
AREA OF OPERATION



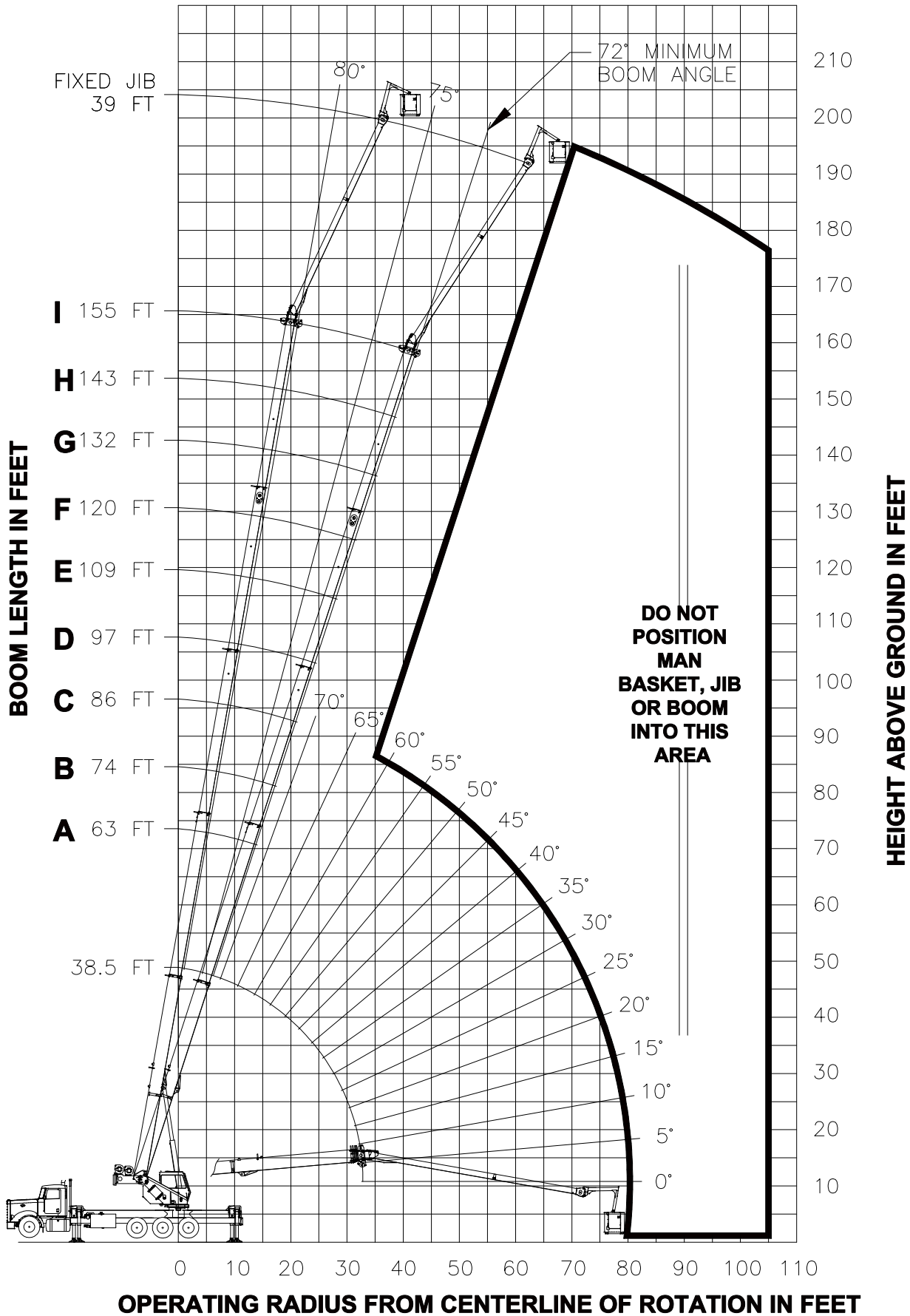
- MAIN BOOM RANGE DIAGRAM -



- FIXED JIB 0° OFFSET RANGE DIAGRAM -



- FIXED JIB 15° OFFSET RANGE DIAGRAM -



- FIXED JIB 30° OFFSET RANGE DIAGRAM -

