

AMERICAN 599C LIFTING CAPACITIES

Capacities with side frames fully extended, based on 75% of tipping load.

Boom Radius	BOOM LENGTH												
	40'	50'	60'	70'	80'	90'	100'	110'	120'	130'	140'	150'	
12'	80,000	80,000											
15'	57,900	57,700	57,500	57,300									
20'	37,000	36,800	36,600	36,400	36,200	36,000	35,800						
25'	27,300	27,100	26,900	26,700	26,500	26,300	26,100	2,5900	25,700	25,500			
30'	21,000	20,800	20,600	20,400	20,200	20,000	19,800	19,600	19,400	19,200	19,000	18,800	
35'	16,700	16,500	16,300	16,100	15,900	15,700	15,500	15,300	15,100	14,900	14,700	14,500	
40'	13,700	13,500	13,300	13,100	12,900	12,700	12,500	12,300	12,100	11,900	11,700	11,500	
50'		10,400	10,200	10,000	9,800	9,600	9,400	9,200	9,000	8,800	8,600	8,400	
60'			7,800	7,600	7,400	7,200	7,000	6,800	6,600	6,400	6,200	6,000	
70'				6,000	5,800	5,600	5,400	5,200	5,000	4,800	4,600	4,400	
80'					4,700	4,500	4,300	4,100	3,900	3,700	3,500	3,300	
90'						3,700	3,500	3,300	3,100	2,900	2,700	2,500	
100'							2,900	2,700	2,500	2,300	2,100	1,900	

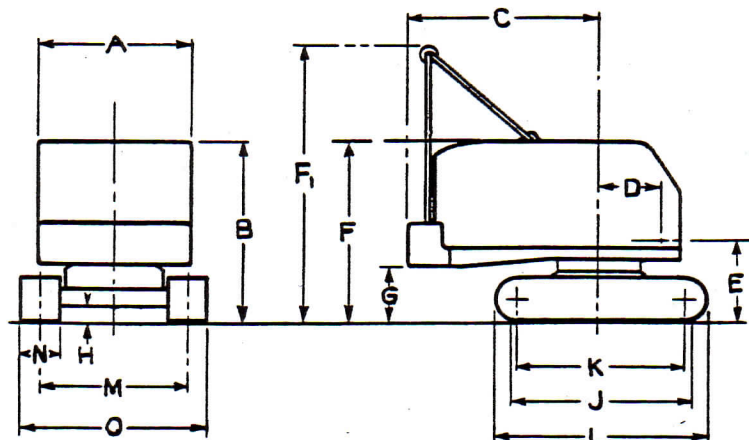
JIB CAPACITIES

	20 ft. Jib	30 ft. Jib	40 ft. Jib
Maximum Capacity	12,000 lbs.	10,000 lbs.	6,000 lbs.
Reduction in Main Boom Capacity	960 lbs.	1,280 lbs.	1,640 lbs.
Permissible Offset of Jib from Boom Centerline	8 ft.	8 ft.	8 ft.

Capacities of all jibs are the same as main boom capacities, reduced by the amounts given above (960, 1280 or 1640 lbs. depending on jib length), but not exceeding the maximum capacity of each jib. Blocks, slings, buckets, etc. are considered part of the load.

GENERAL DIMENSIONS AMERICAN 599C

- A. Width of cab 9'0"
- B. Height over cab 10'7 7/8"
- C. Tailswing 11'2"
- D. Center of pivot to center of crane boom foot 3'7 3/4"
- E. Ground to center of crane boom foot 5'1 3/4"
- F. Height over retracted high gantry 11'1 1/8"
- F₁. Height over high gantry raised 16'9 1/2"
- G. Ground to bottom of counterweight 3'4 1/8"
- H. Minimum clearance under base and drive case 14 1/8"
- J. Crawler bearing length 172"
- K. Center to center crawler tumblers 13'5"
- L. Over-all length of crawlers 16'0"
- M. Center line to center line of treads (working) 11'2"
- M. Center line to center line of treads (shipping) 8'0"
- N. Tread width standard 32"
- optional 36"
- O. Over-all width over crawlers (working)
 - 32" 13'10"
 - 36" 14'2"
- J. Over-all width over crawlers (shipping)
 - 32" 11'0"
 - 36" 11'4"



WEIGHTS
 Crane and Clamshell ... 82,525 lbs. with 40 ft. boom
 Dragline 82,750 lbs. with 40 ft. boom
 (No blocks, buckets, etc., included in above.)

	Weights 32" Shoes	Ground Pressures* 32" Shoes
CLAMSHELL	82,525	7.38 lbs. sq. in.
DRAGLINE	82,750	7.39 lbs. sq. in.

*Based on distance between sprockets plus 35% crawler height.
 *NOTE: No blocks, clamshell or dragline buckets included in figures.