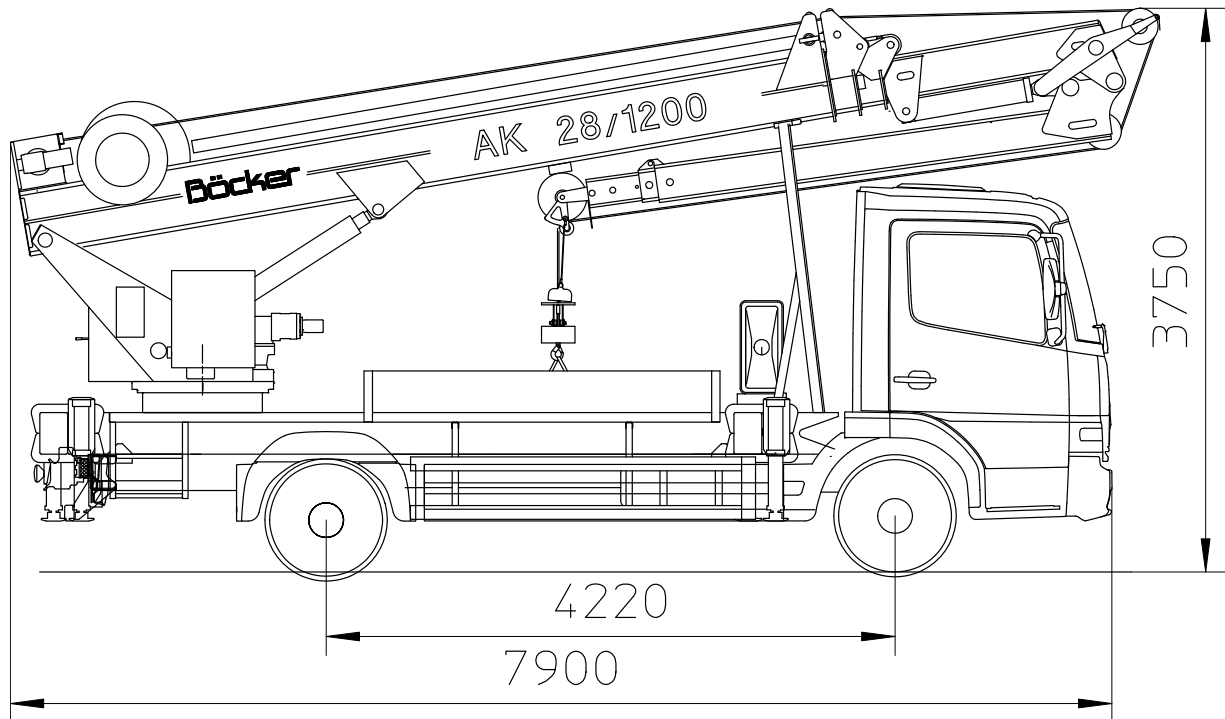


## Böcker-Truck Crane AK 28/1200

## series 2001

as at 07/2010

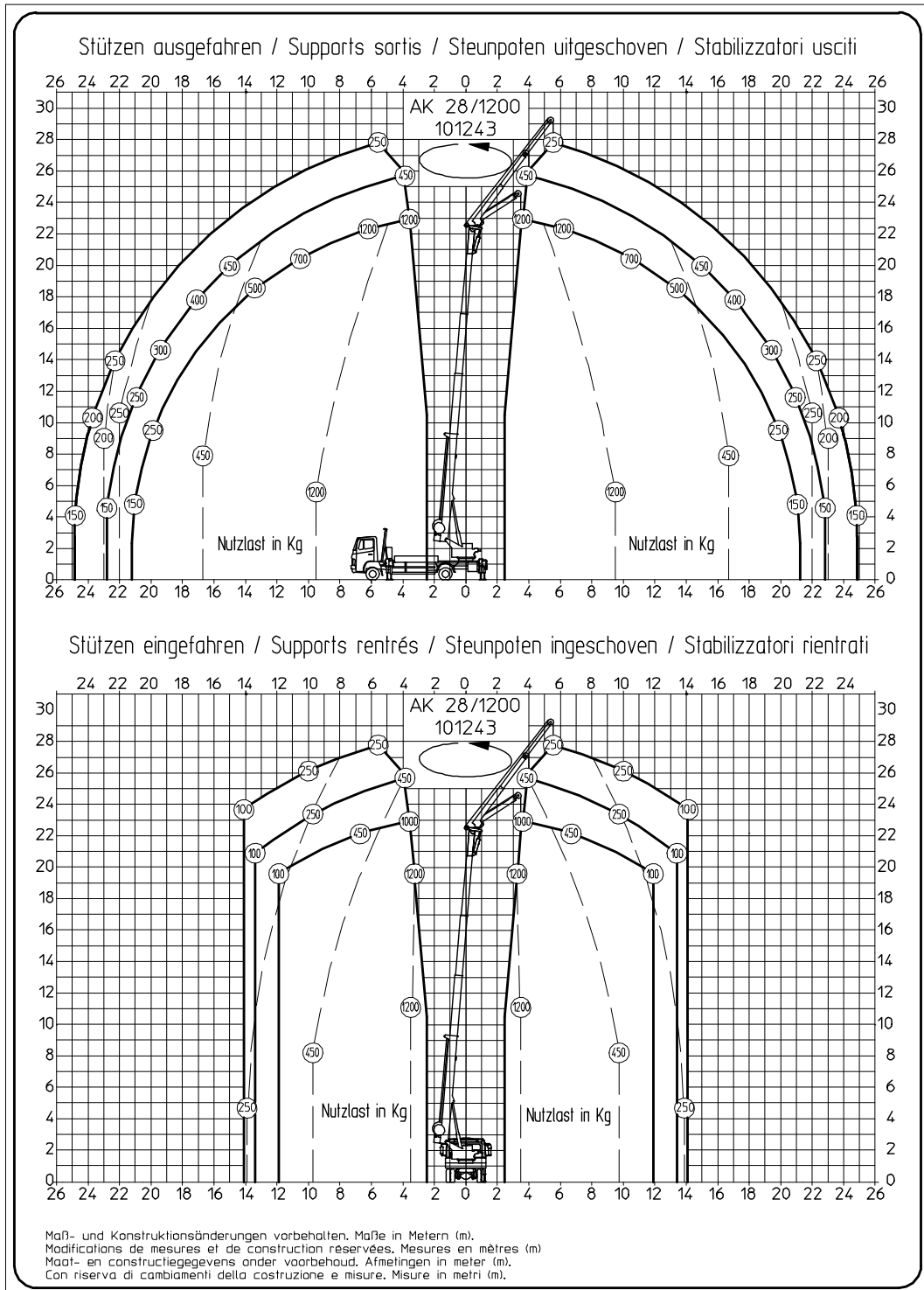


### Dimensions / Specifications

Angle of telescope arm	approx. 85 degree	Max. range of crane operation	
Angle of jib	approx. 150 degree	250kg lifting capacity	approx. 21,40 m
Swivel range	approx. 620 degree	450 kg lifting capacity	approx. 16,20 m
Working height up to jib	approx. 21,30 m	1000 kg lifting capacity	approx. 9,90 m
Max. extension length	approx. 27,60 m	1200 kg lifting capacity	approx. 8,10 m
Extendible jib:			
Basic length	approx. 3,90 m		
Extendible max.	approx. 8,10 m	Max. range of platform operation	
Capacity hydraulic pump at 1000 r.p.m.	approx. 52 liter	100 kg lifting capacity	approx. 19,80 m
Hook speed	approx. 50 m/min	250 kg lifting capacity	approx. 16,60 m
Support length	approx. 5,10 m	Max. working height	approx. 27,80 m
Support width	approx. 5,49 m		
One- sided support	approx. 3,98 m	Truck - Data	
Length vehicle	approx. 7,90 m	Wheelbase min.	4220 mm
Width vehicle	approx. 2,55 m	Gross vehicle weight	7,49 t
Height vehicle	approx. 3,75 m	Max. dead weight	3,30 t
Body weight	approx. 4140 kg	Min. front axle	3,40 t

**All rights reserved for changes in dimension and construction!**

## Work diagram



**All rights reserved for changes in dimension and construction!**