

MANISCOPIC

MHT 780
Turbo
Evolution



- Capacity: 8000 kg
- Lift height: 6.80 m
- Maximum forward reach: 4 m
- Engine: 144 cv
- Hydrostatic transmission
- 4 wheel steer – 4 wheel drive


 **MANITOU**


MHT 780 T *Evolution*


 **Lifting capacity**8000 kg
load centre at 600 mm from forks heels


 **Lifting capacity**6.80 m



 **Tyres**18-22.5 16 PR


 **Forks** (mm)
Length1200
Width x thickness.....200 x 60
Maximum distance between forks1750
Carriage rotation136°

 **Brakes**
oil bath muldisc brakes on front and rear axles


 **Perkins Engine Euro 3**
Type1104 D - E 44 TA
Power (ISO/TR 14396).....144 HP/106 kw
Maximum torque
(ISO/TR 14396).....556 Nm at 1400 rpm
InjectionElectronic - direct
Cooling.....water

 **Hydrostatic transmission**
Hydraulic variable displacement pump and motor
with control inching
Reversing shiftelectromagnetic
Forward and reverse speeds.....2/2
Max. travel speed35 km/h

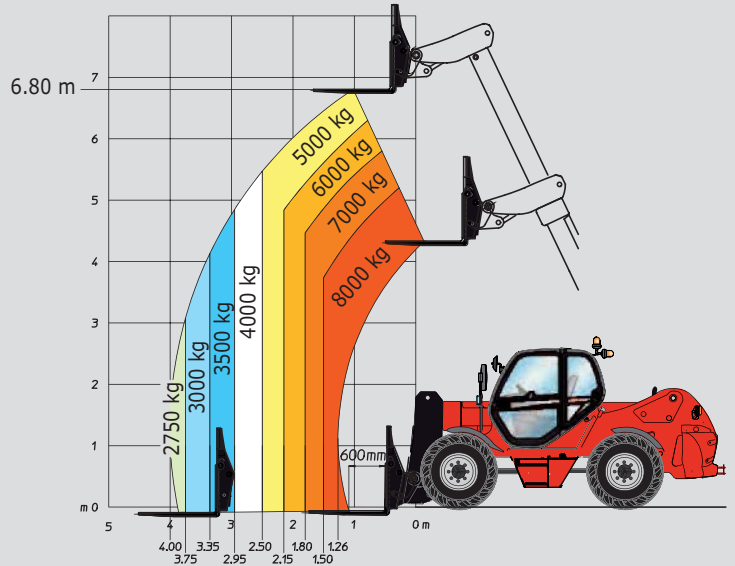
 **Steering mode** 
4 wheel steer - 4 wheel drive
3 steering modes

 **Hydraulic**
Movements:
Variable displacement pump
(Load Sensing).....140 l/mn-275 bar
Steering:
Load Sensing170 bar
Monolever **JSM (Joystick Switch and Move)**

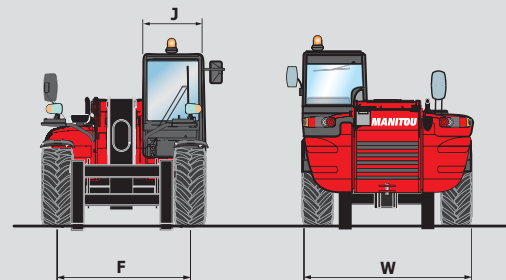
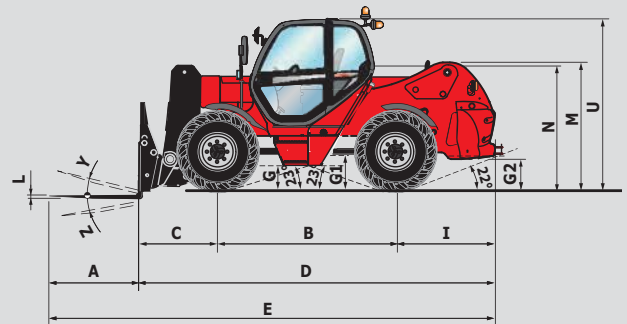
 **Capacities**
Radiator15 l
Engine oil8.1 l
Hydraulic oil.....140 l
Fuel tank.....120 l

 **Weight unladen** (with forks)12800 kg
Overall height.....2.52 m
Overall width.....2.44 m
Overall length (at forks carriage)5.22 m
Turning radius (outside wheels)4.30 m
Drawbar pull10500 daN

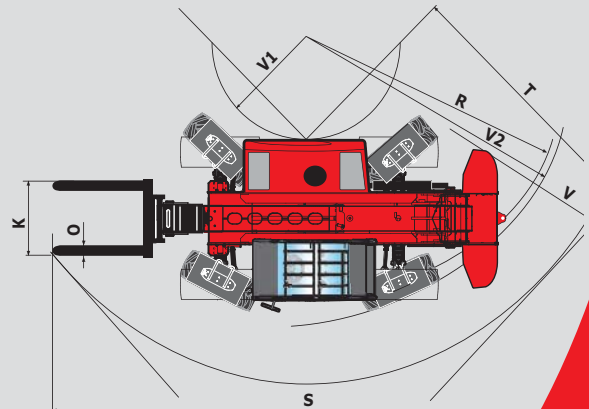
 **Accessories/Equipment**
A broad choice of attachment suitable for
industry and construction market's is available



EN 1459 annexe B



MHT 780 T	
A	1200
B	2670
C	1075
D	5225
E	6425
F	1990
G	380
G1	445
G2	445
I	1480
J	865
K	1750
L	60
M	1865
N	1805
O	200
R	4080
S	8200
T	4030
U	2520
V	4980
V1	1630
V2	4300
W	2440
Y	12°
Z	124°



mm

This publication in no way constitutes an offer and the company reserves the right to alter specification without prior notice. The MANITOU models presented in this brochure can be supplied complete with optional equipment attachments.