


Electric battery operated Mobile Crane Max. Capacity **Kg.2.500**



	
OUTREACH (mm)	CAPACITY (kg)
1.000	1.550
1.500	1.000
2.500	500

TECHNICAL DATA

CRANE FRAME: Three-wheelers frame fabricated from preformed and welded steel plate with built-in counterweight and, for maintenance purposes, removable counterweight .

TRACTION: by AC 3kw 48V reversible electric motor, controlled by inverter, electro magnetic control on disk brake.

BATTERY: 48V 200Ah battery, battery meter on dashboard.

DRIVE: by 180° steering helm. Steering 700W 48V electric motor electronically controlled. Complete with safety device on backward.

WHEELS: Nr. 1 rear cushion 305x135 e Nr. 2 front 18x7-R8 superelastic.

BOOM: three elements boom (1 fixed and 2 hydraulically telescoping section) with sequential hydraulic telescope by double internal cylinder fitted with nylon wear pads. Adjustable wear pads on the sides.

BOOM CONTROL: by electronic proportional joystick distributor. 4 kW 48V motor pump.

LMI: Electronic Load Moment Indicator. Display showing lifted load, max allowed load, tilting percentage, operating radius, angle, telescope and light indicators on the operative mode.

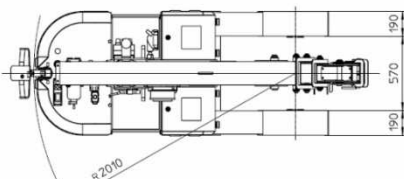
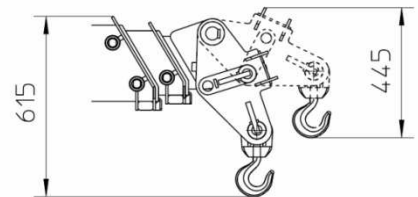
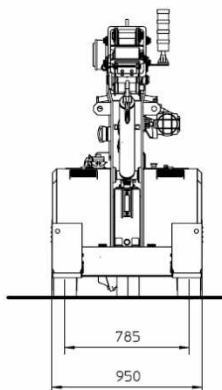
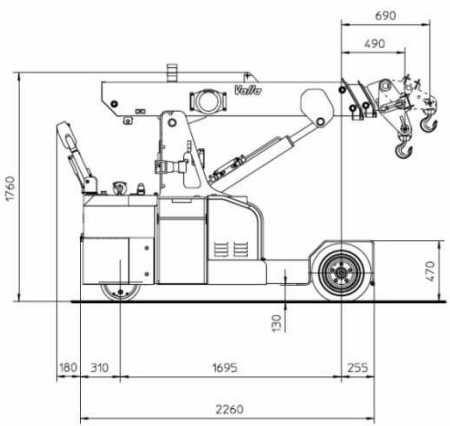
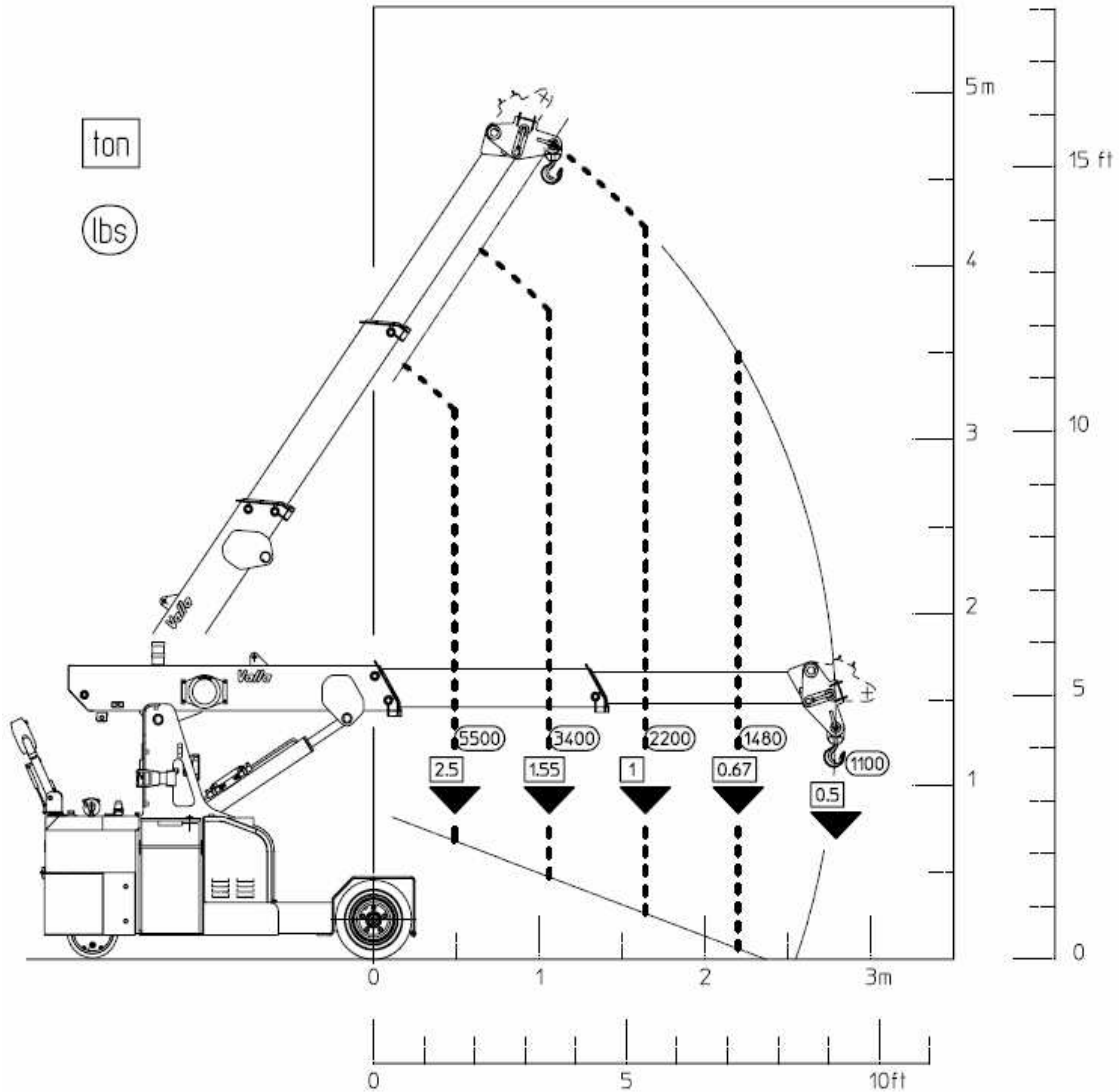
TOTAL WEIGHT: approx. kg. 2.200

MAX. CAPACITY: kg. 2.500

Options on request: hydraulic winch; special oversized hydraulic winch; chain hoists; carry-deck; battery charger (on board and stand-alone); manual and hydraulic jibs; cable remote control; radio remote control; low temperatures kit; working light.



The VALLA mobile crane mod. 25 E
complies with the following standards:
-2006/42/CE
-UNIEN13000
-I.S.P.E.S.L.



Sede Legale:
Via Emilia Loc. Favorita - 29010 Roveleto di Cadeo (PC) - Italy
MANITEX INTERNATIONAL Inc. Group

