



ORMIG



33 tm

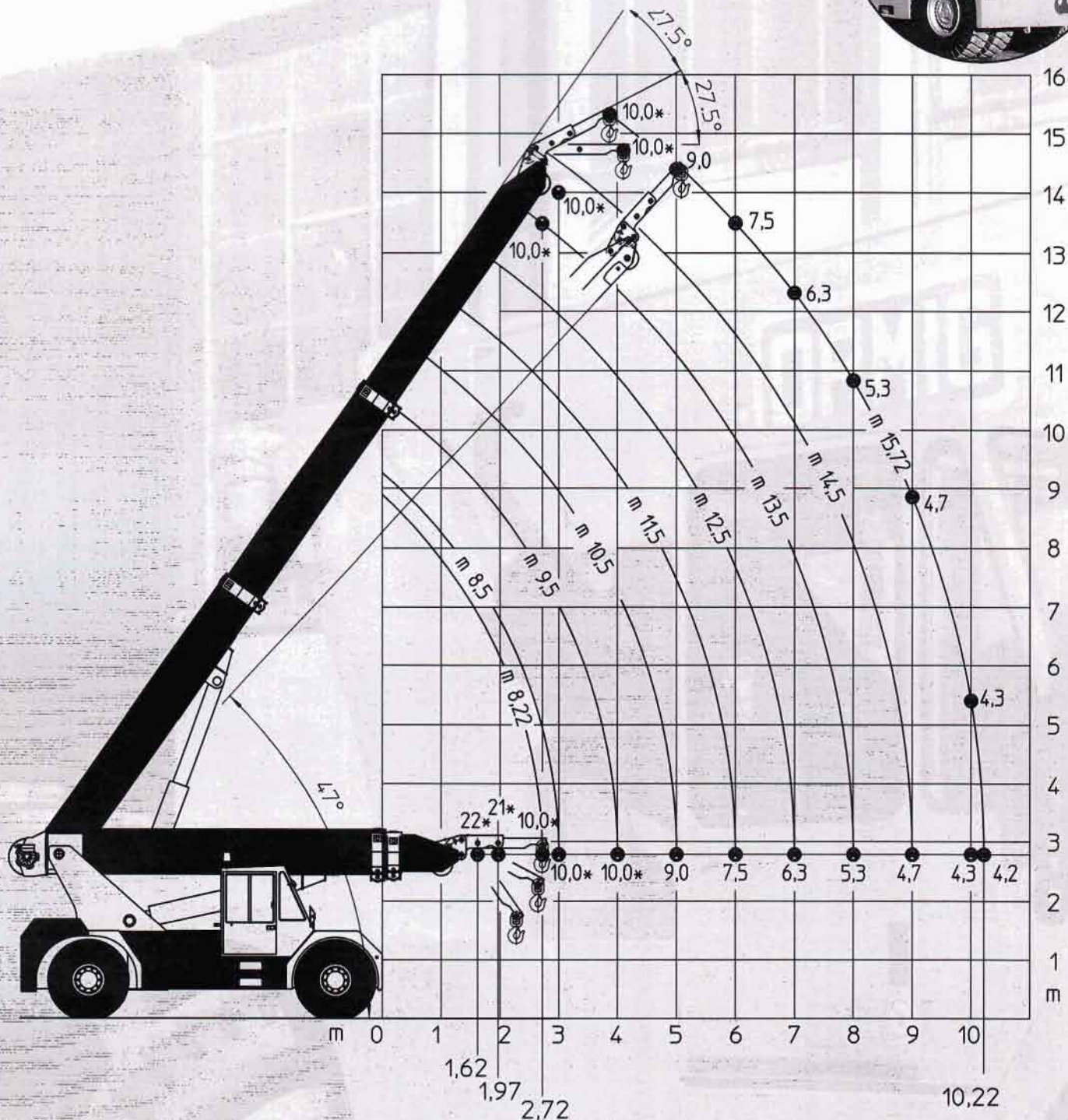
ORMIG S.p.A.

TEL. (+39) 0143 80051 r.a.
TELEFAX (+39) 0143 86568
E-mail: mktg@ormigspa.com
E-mail: sales@ormigspa.com
www.ormig.com - www.pickandcarry.com

ORMIG S.p.A.
PIAZZALE ORMIG
P.O. BOX 63
15076 OVADA (AL)
ITALY

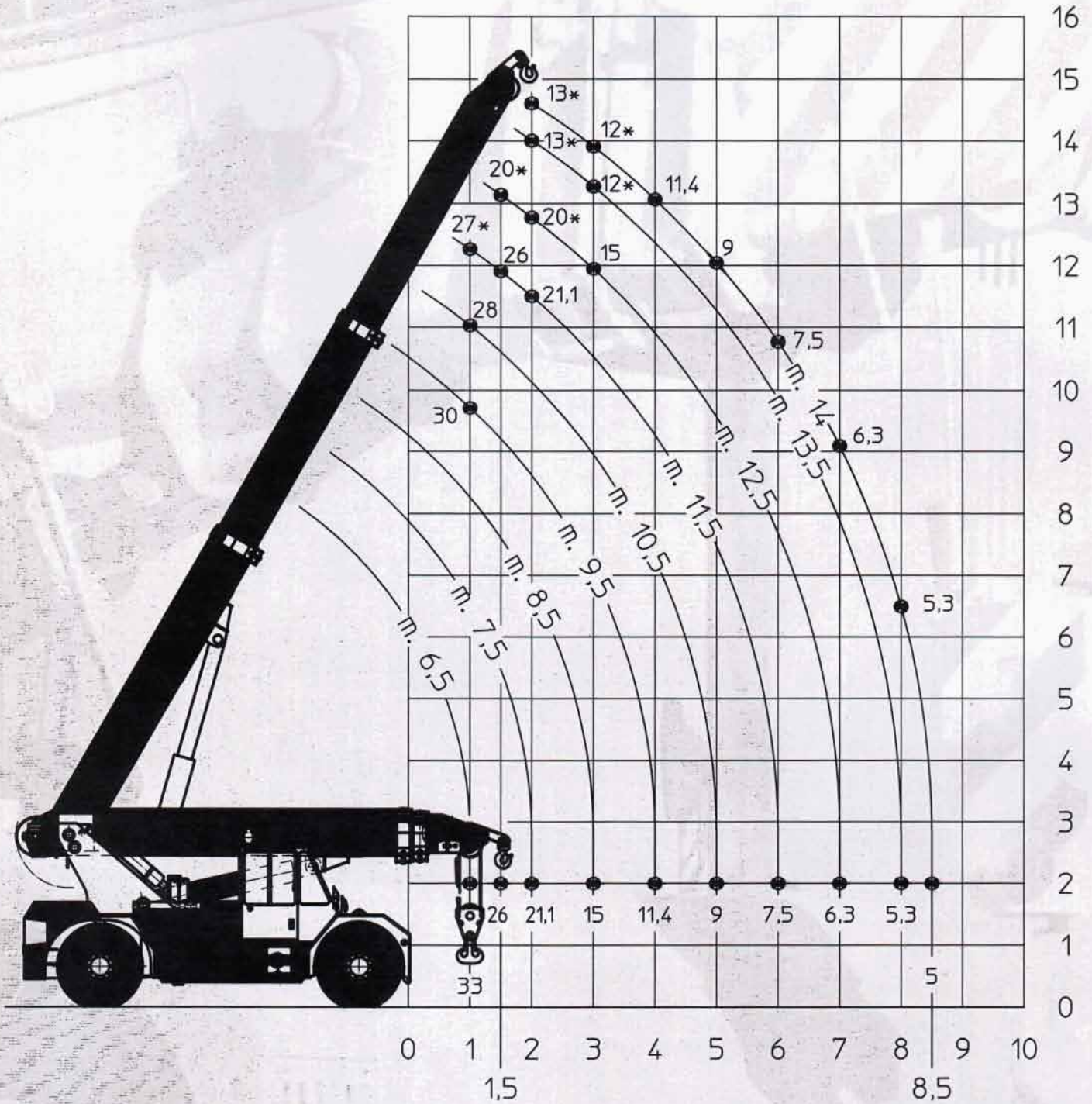
TECHNICAL FEATURES

Carrier:	4 x 2 x2
Frame:	Structure formed by two frame side members fabricated from bended plate at "C" shape and box-type, connected by means of crosspieces in the front and rear part corresponding to the axles location.
Engine:	IVECO-AIFO NEF, 6 cylinders, 4 strokes, displacement 5880 cm ³ , power 132 KW (177 HP) at 2700 rpm, max torque 570 Nm at 1400 rpm. Water cooling. Fuel tank capacity 250 litres.
Speed gearbox:	DANA transmission with torque converter, 3 forward and 3 reverse speeds. Max travel speed 25 Km/h.
Axles:	Front driving axle with rigid suspensions. Rear steering axle, central oscillation with limit switches is provided.
Tyres:	1400-24 PR28, double tyres at front axle and single tyre at rear axle.
Steering:	Hydraulic steering system with one main pump having 109 litres/min. delivery and an emergency pump fitted in the front axle. Min. outer turning circle radius: 6,56 m.
Brakes:	In-compliance with EEC regulations for road travel. Service brake with hydraulic control in the front and rear wheels, at power-assisted pedal control. Mechanical parking brake acting in the front wheels with hydraulic control operated by electric selector.
Cab:	Steel structure. Wide visibility for the operator is assured. Complete with rearview mirrors, full controls, windshield-wipers, heater, adjustable anatomical seat. The various movements are controlled by levers equipped with electric device against unforeseen operations.
Electric system:	24 V - 90 A alternator - Starting motor - 2 batteries of 12 V - 100 Ah
Boom:	Fabricated from plate at high strength. It is connected to the frame by means of rear gantries. Telescopic boom with one base section plus 2 extensions controlled by two hydraulic double action cylinders. A double-action cylinder for the derricking control.
Winch:	Oleodynamic with automatic brake. Adjustable speed from 0 to the maximum value of 5750 Kg Max. rope length 115 m, dia. 16 mm, drum dia. 360 mm.
Hydraulic system:	Equipped with variable delivery pump having 246 max. delivery and compensated anti-saturation hydraulic distributor. Braking and locking valves on the boom and extensions cylinders. Calibrated valves on the distributor of the hydraulic system. Hydraulic oil tank capacity 400 litres.
Safety regulations:	The crane is fitted with all safety devices as per regulations in force and it complies with law by decree N. 547 of 27th May 1955 and subsequent amendements. It is in compliance with safety and health regulations as per encl. I of Machine Directive 89/392 and subsequent amendment according to law by decree N. 459 of 24th July 1996. Therefore, the mark "CE" can be placed on the crane equipped with the electronic safe load device.
Weight:	Total weight 28000 Kg - Front axle 10000 Kg - Rear axle 18000 Kg
Equipment on request:	<ul style="list-style-type: none">• Electronic safe load device, active type, providing cut of the controls which can cause dangerous conditions when the rated load is reached• Auxiliary counterweight• Various lengths special flyjibs• Fix hook at boom top• Spare wheel• Self-levelling forks complete with sideshift device for containers and marbles blocs handling



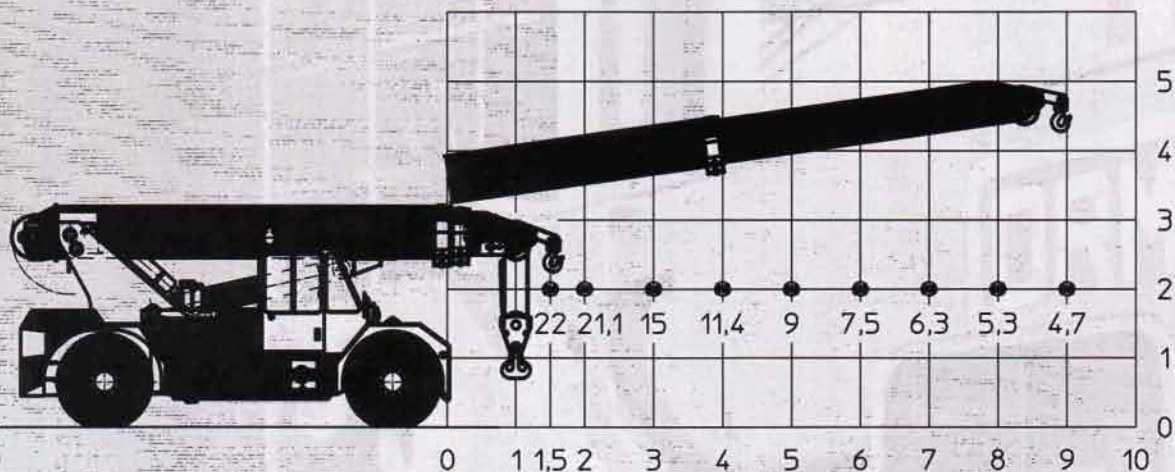
* Portate determinate da fattori diversi dal ribaltamento
 * Capacities determined by factors other than tipping load

Lifting capacity chart (tonnes)

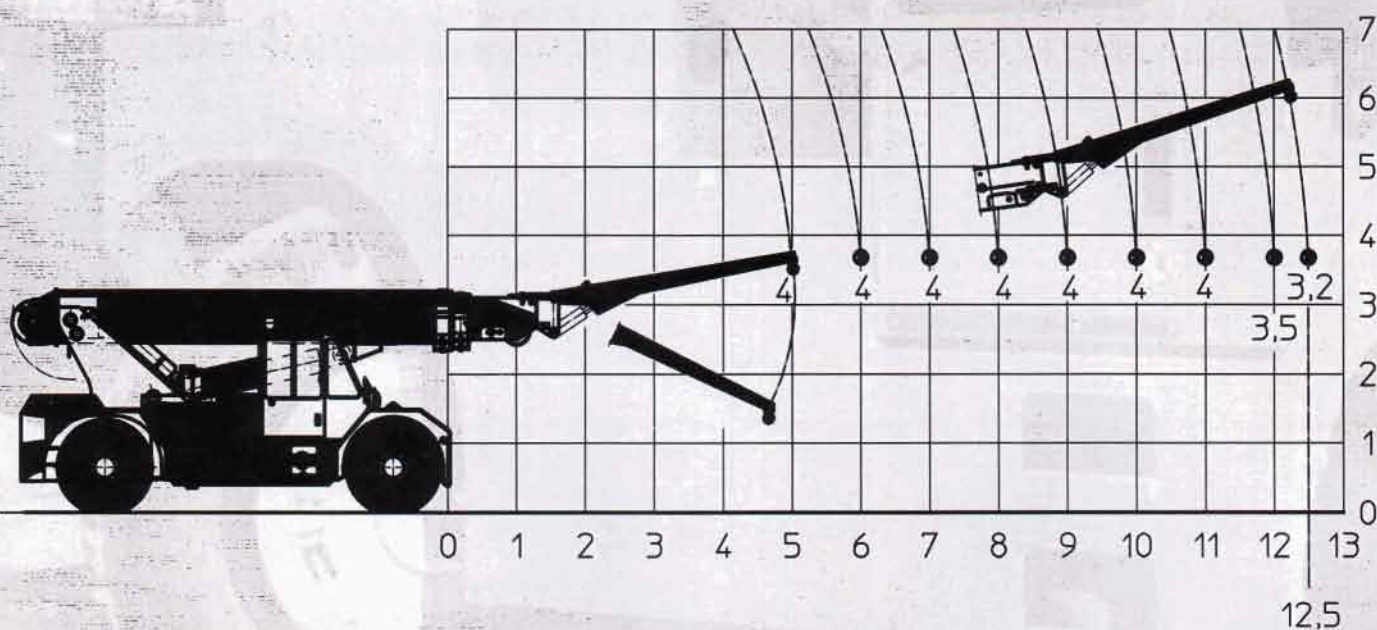


* Portate determinate da fattori diversi dal ribaltamento
 * Capacities determined by factors other than tipping load

Lifting capacity chart with fix hook (tonnes)

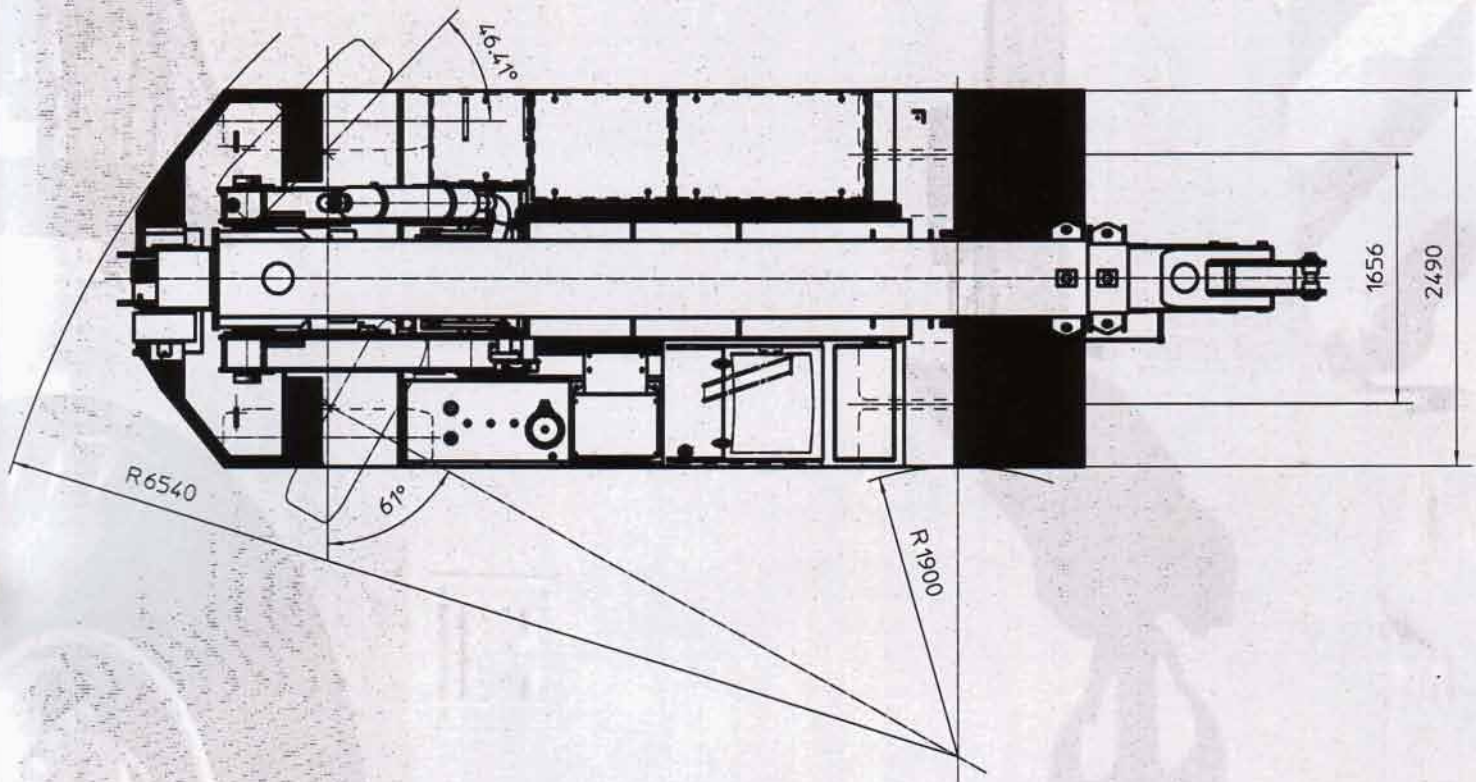
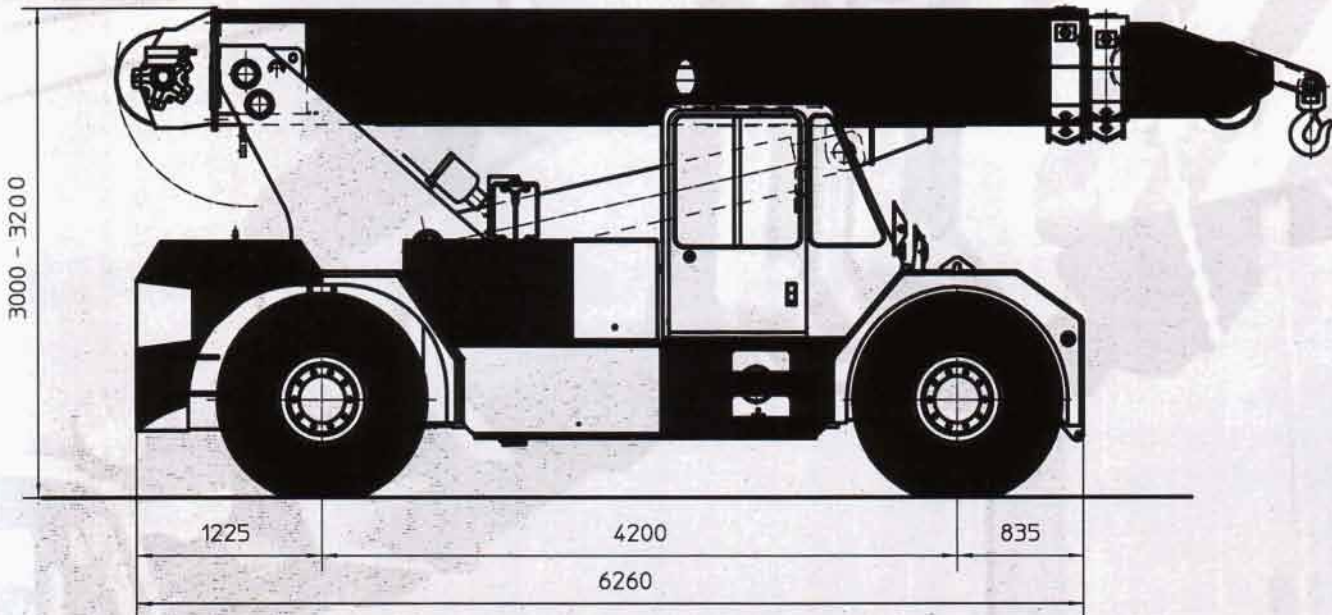


Lifting capacity Chart with fly-jib (tonnes)



Dimensioni Generali

General Dimensions





TEL. (+39) 0143 80051 r.a.
 TELEFAX (+39) 0143 86568
 E-mail: mktg@ormigspa.com
 E-mail: sales@ormigspa.com
 www.ormig.com - www.pickandcarry.com

ORMIG S.p.A.
 PIAZZALE ORMIG
 P.O. BOX 63
 15076 OVADA (AL)
 ITALY