

RT65S

30 METRIC TON CAP.

10.0 m - 33.9 m (33 ft. - 112 ft.) Trapezoidal Boom
 10.3 m - 41.4 m (34 ft. - 136 ft.) Trapezoidal Boom

75% of Tipping

JIB CAPACITIES IN KILOGRAMS

7.3m JIB and
 9.7m Boom Extension Combination

Minimum Main Boom Angle	Min. 5° offset	17° offset	Max. 30° offset
76°	2,720	2,355	2,085
70°	1,950	1,785	1,655
65	1,555	1,450	1,365
60	1,250	1,180	1,120
55	1,005	955	915

A6-829-001824D

- 7.3m jib and 9.7m ext. combination may be used for single line lifting crane service only. Capacities are based on structural strength of 7.3m jib and 9.7m ext. combination at given main boom angle regardless of main boom length. When lifting with 7.3m jib and 9.7m ext., capacities must not exceed structural capacity of jib combination at given main boom angle or stability capacity of applicable boom length listed in boom capacity chart for actual working radius, whichever is less. Capacities comply with structural requirements of SAE J-987 or SAE J-1063.
- Maximum total length of boom including 9.7m ext. for purpose of erecting 7.3m jib below 10° elevation is 28.1m.
- WARNING:** Operation of machine with heavier loads than the capacities listed is strictly prohibited. Machine tipping with jib occurs rapidly and without advance warning.
- 7.3m JIB WARNING:** For total boom length including 9.7m boom ext. greater than 28.1m with 7.3m jib in working position the boom angle must not be less than 50° since loss of stability will occur causing a tipping condition.

WEIGHT REDUCTIONS FOR LOAD HANDLING DEVICES

10.0 m - 33.9 m (33 ft. - 112 ft.)

9.7m BOOM EXTENSION	
†STOWED	- 138 kgs.
†ERECTED	- 1,213 kgs.
7.3m JIB & 9.7m EXT. COMB.	
†ERECTED	- 2,722 kgs.
††ERECTED	- 431 kgs.

†Reduction of main boom capacities.
 ††Reduction of 9.7m Ext. capacities.

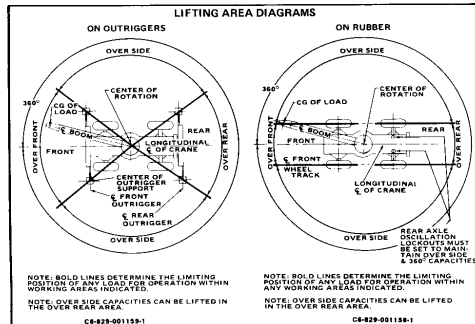
10.3 m - 41.4 m (34 ft. - 136 ft.)

9.7m BOOM EXTENSION	
†STOWED	- 157 kgs.
†ERECTED	- 1,193 kgs.
7.3m JIB & 9.7m EXT. COMB.	
†ERECTED	- 2,835 kgs.
††ERECTED	- 544 kgs.

†Reduction of main boom capacities.
 ††Reduction of 9.7m Ext. capacities.

HOOK BLOCK	
35 Ton, 3 Sheave	290 kgs.
15 Ton, 1 Sheave	141 kgs.
Auxiliary Boom Head (15 in.)	86 kgs.
Auxiliary Boom Head (18 in.)	100 kgs.
5 Ton, Headache Ball	68 kgs.
7½ Ton, Headache Ball	136 kgs.
10 Ton, Headache Ball	227 kgs.

NOTE: All Load Handling Devices and Boom Attachments are Considered Part of the Load and Suitable Allowances **MUST BE MADE** for Their Combined Weight.
 Weights are for Grove furnished equipment.





RT65

30 METRIC T

75% of Tippi

RATED LIFTING C.

10.0 m - 33.9 m Trapezoidal Boom (33 ft. - 112 ft.) (FULL POWER)

ON OUTRIGGERS FULLY EXTENDED - 360°

Radius in Meters	Boom Length in Meters										24.2 * 9.7 Boom Ext
	10.0	11.6	13.4	15.2	17.1	18.9	20.7	22.6	24.2	*33.9	
3	30,000 (63)	30,000 (63)	28,890 (61.5)	26,305 (59.5)	24,355 (51.5)	22,000 (45.5)	19,910 (43.5)	18,255 (40.5)	16,555 (36.5)	15,150 (33.5)	
3.5	29,030 (59.5)	28,350 (61.5)	26,760 (58.5)	24,355 (51.5)	22,000 (45.5)	19,910 (43.5)	18,255 (40.5)	16,555 (36.5)	15,150 (33.5)		
4	26,535 (52.5)	26,035 (52.5)	24,720 (53.5)	22,450 (47.5)	20,820 (45.5)	19,640 (43.5)	18,140 (40.5)	16,555 (36.5)	15,875 (34.5)		
4.5	24,400 (49)	23,950 (52.5)	22,995 (50.5)	20,775 (45.5)	19,275 (42.5)	18,140 (40.5)	16,555 (36.5)	15,875 (34.5)			
5	22,465 (49)	22,180 (49)	21,455 (46.5)	19,365 (42.5)	17,915 (39.5)	16,825 (37.5)	15,565 (34.5)	14,150 (31.5)			
6	19,230 (42.5)	18,140 (40.5)	16,825 (36.5)	15,105 (33.5)	13,835 (30.5)	12,925 (28.5)	12,200 (26.5)	11,565 (25.5)	10,930 (23.5)		
7	16,235 (35)	15,420 (33)	14,520 (31.5)	13,195 (28.5)	11,855 (26)	11,520 (25)	10,840 (23.5)	10,250 (22)	9,705 (20.5)	7,390 (16)	
8	11,855 (25.5)	11,655 (25.5)	11,655 (25.5)	11,655 (25.5)	11,655 (25.5)	11,520 (25)	10,840 (23.5)	10,250 (22)	9,705 (20.5)	8,800 (19)	6,730 (14.5)
9		10,585 (23.5)	10,585 (23.5)	8,825 (19.5)	8,825 (19.5)	8,825 (19.5)	8,825 (19.5)	8,800 (19.5)	8,255 (18.5)	7,755 (17.5)	6,165 (13.5)
10			8,825 (19.5)	8,825 (19.5)	8,825 (19.5)	8,825 (19.5)	8,800 (19.5)	8,255 (18.5)	7,755 (17.5)	6,165 (13.5)	
12				8,825 (19.5)	8,825 (19.5)	8,825 (19.5)	8,800 (19.5)	8,255 (18.5)	7,755 (17.5)	6,165 (13.5)	
14					8,825 (19.5)	8,825 (19.5)	8,800 (19.5)	8,255 (18.5)	7,755 (17.5)	6,165 (13.5)	
16						8,825 (19.5)	8,800 (19.5)	8,255 (18.5)	7,755 (17.5)	6,165 (13.5)	
18							8,800 (19.5)	8,255 (18.5)	7,755 (17.5)	6,165 (13.5)	
20								8,255 (18.5)	7,755 (17.5)	6,165 (13.5)	
22									8,255 (18.5)	7,755 (17.5)	
24										8,255 (18.5)	
26											8,255 (18.5)
28											
30											
32											

Note: Boom angles are in degrees A6-829-001533B & -002132A

ON RUBBER CAPACITIES

Radius in Meters	Stationary Capacity	Stationary Capacity	4 km/h Capacity	Stationary Capacity
	Boom Centered Over Front	Defined Arc (1) Over Front	Boom Centered (2) Over Front	360° Arc
3	27,315 (a)	20,865 (a)	17,505 (a)	16,890 (a)
3.5	24,460 (a)	18,730 (a)	15,570 (a)	13,045 (b)
4	22,090 (a)	16,280 (a)	13,960 (a)	10,325 (b)
4.5	19,945 (a)	14,375 (a)	12,610 (a)	8,460 (b)
5	16,260 (a)	13,245 (b)	11,450 (a)	6,940 (c)
6	11,165 (b)	11,165 (b)	9,310 (b)	4,795 (c)
7	8,770 (b)	8,770 (b)	8,140 (b)	3,680 (c)
8	6,820 (c)	6,820 (c)	6,820 (c)	2,845 (c)
9	5,480 (c)	5,480 (c)	5,480 (c)	2,060 (c)
10	4,600 (c)	4,600 (c)	4,600 (c)	1,690 (c)
12	3,375 (c)	3,375 (c)	3,375 (c)	1,070 (c)
14	2,400 (c)	2,400 (c)	2,400 (c)	560 (c)

Maximum permissible boom length: A6-829-001541A

- (a) 10.3m
- (b) 13.4m
- (c) 17.1m

(1) Defined Arc - Left front track CL to right front track CL.

(2) Mechanical swing lock pin must be engaged. Chart based on 21.00x25 (24 ply)/26x25 (26 ply)/29x25 (22 ply) tires & 70 psi/65psi/50 psi cold inflation pressures. Loads must be reduced for lower inflation pressures. Capacities appearing above the BOLD LINE are based on structural strength and tipping should not be relied upon as a capacity limitation. Capacities do not exceed 75% of tipping loads as determined by test in accordance with SAE J-765.

Capacities are applicable with the machine on a firm level surface only. 9.7m ext. not permitted for on rubber lifts.

ON OUTRIGGERS FULLY EXTENDED - OVER FRONT

Radius in Meters	Boom Length in Meters										24.2 * 9.7 Boom Ext
	10.0	11.6	13.4	15.2	17.1	18.9	20.7	22.6	24.2	*33.9	
3	30,000 (63)	30,000 (63)	28,890 (61.5)	26,305 (59.5)	24,355 (51.5)	22,000 (45.5)	19,910 (43.5)	18,255 (40.5)	16,555 (36.5)	15,150 (33.5)	
3.5	29,030 (59.5)	28,350 (61.5)	26,760 (58.5)	24,355 (51.5)	22,000 (45.5)	19,910 (43.5)	18,255 (40.5)	16,555 (36.5)	15,150 (33.5)		
4	26,535 (52.5)	26,035 (52.5)	24,720 (53.5)	22,450 (47.5)	20,820 (45.5)	19,640 (43.5)	18,140 (40.5)	16,555 (36.5)	15,875 (34.5)		
4.5	24,400 (49)	23,950 (52.5)	22,995 (50.5)	20,775 (45.5)	19,275 (42.5)	18,140 (40.5)	16,555 (36.5)	15,875 (34.5)			
5	22,465 (49)	22,180 (49)	21,455 (46.5)	19,365 (42.5)	17,915 (39.5)	16,825 (37.5)	15,565 (34.5)	14,150 (31.5)			
6	19,230 (42.5)	18,140 (40.5)	16,825 (36.5)	15,105 (33.5)	13,835 (30.5)	12,925 (28.5)	12,200 (26.5)	11,565 (25.5)	10,930 (23.5)		
7	16,235 (35)	15,420 (33)	14,520 (31.5)	13,195 (28.5)	11,855 (26)	11,520 (25)	10,840 (23.5)	10,250 (22)	9,705 (20.5)	7,390 (16)	
8	11,855 (25.5)	11,655 (25.5)	11,655 (25.5)	11,655 (25.5)	11,655 (25.5)	11,520 (25)	10,840 (23.5)	10,250 (22)	9,705 (20.5)	8,800 (19)	6,730 (14.5)
9		10,585 (23.5)	10,585 (23.5)	8,825 (19.5)	8,825 (19.5)	8,825 (19.5)	8,825 (19.5)	8,800 (19.5)	8,255 (18.5)	7,755 (17.5)	6,165 (13.5)
10			8,825 (19.5)	8,825 (19.5)	8,825 (19.5)	8,825 (19.5)	8,800 (19.5)	8,255 (18.5)	7,755 (17.5)	6,165 (13.5)	
12				8,825 (19.5)	8,825 (19.5)	8,825 (19.5)	8,800 (19.5)	8,255 (18.5)	7,755 (17.5)	6,165 (13.5)	
14					8,825 (19.5)	8,825 (19.5)	8,800 (19.5)	8,255 (18.5)	7,755 (17.5)	6,165 (13.5)	
16						8,825 (19.5)	8,800 (19.5)	8,255 (18.5)	7,755 (17.5)	6,165 (13.5)	
18							8,800 (19.5)	8,255 (18.5)	7,755 (17.5)	6,165 (13.5)	
20								8,255 (18.5)	7,755 (17.5)	6,165 (13.5)	
22									8,255 (18.5)	7,755 (17.5)	
24										8,255 (18.5)	
26											8,255 (18.5)
28											
30											
32											

Note: Boom angles are in degrees A6-829-001527B & -002132A

Notes For On Outriggers

- A. Capacities appearing above the bold line are based on structural strength and tipping should not be relied upon as a capacity limitation.
- B. Capacities do not exceed 75% of tipping loads as determined by test in accordance with SAE recommended practice-crane load stability test code - SAE J-765.
- C. Do not exceed any rated load when lifting regardless of whether it is based on structural strength or stability.
- *D. For boom lengths less than 33.9 m (111 ft.) with 9.7 m (32 ft.) boom ext. erected, the rated loads are determined by boom angle only in the column headed by 33.9 m (111 ft.) boom. For boom angles not shown, use rating of next lower boom angle.
- E. Boom angle is the included angle between horizontal and the axis of the boom base section after lifting rated load.

S ON CAP.

GROVE® FULL HYDRAULIC SELF-PROPELLED CRANE

ng

APACITIES IN KILOGRAMS

10.3 m - 41.4 m Trapezoidal Boom (34 ft. - 136 ft.) (POWER PINNED)

ON OUTRIGGERS FULLY EXTENDED - 360°

Radius in Meters	Main Boom Length in Meters (Power Pinned Fly Retracted)													Power Pin 2.2M	9.7M 31.2M	9.7M 31.2M	
	10.3	11.6	13.4	15.2	17.1	18.9	20.7	22.6	24.5	31.7	34.4	41.4					
3	30,000 (64)	30,000 (67.5)	26,890 (68.5)	26,305 (70.5)	22,000 (73.5)	19,910 (75.5)	16,555 (75.5)										
3.5	29,030 (61)	28,350 (68.5)	26,760 (69.5)	24,355 (72)	22,000 (74)	19,910 (75.5)	16,555 (75.5)										
4	26,335 (54)	26,035 (59)	24,720 (61)	22,995 (65)	20,775 (70)	18,140 (72.5)	16,555 (74.5)	15,875 (74.5)									
4.5	22,495 (50.5)	22,180 (56)	21,455 (61)	19,365 (65)	17,915 (70)	16,825 (72.5)	15,150 (74.5)										
6	19,230 (42.5)	19,140 (49.5)	18,825 (56)	16,965 (61)	15,645 (64.5)	14,650 (67.5)	13,880 (71.5)	12,335 (74)									
7	16,235 (33.5)	15,420 (42.5)	15,195 (46.5)	13,835 (56.5)	12,925 (60.5)	12,200 (64)	11,565 (68.5)	10,930 (71.5)									
8	11,655 (20.5)	11,655 (34)	11,655 (45)	11,655 (51.5)	11,655 (56.5)	11,520 (60.5)	10,840 (66)	10,250 (69)	9,705 (75)	8,480 (75.5)	7,390 (75.5)						
9		10,830 (23.5)	10,830 (38)	10,830 (44)	10,830 (51.5)	10,340 (57)	9,705 (60.5)	9,160 (63.5)	8,500 (66.5)	7,575 (72)	6,730 (74.5)						
10			8,795 (30.8)	8,795 (41)	8,795 (48)	8,795 (53)	8,255 (57)	7,755 (60.5)	7,155 (64)	6,800 (71)	6,165 (72.5)	4,355 (76)					
12				4,395 (27)	4,395 (38)	4,395 (45)	4,395 (50)	4,395 (54)	4,395 (58.5)	4,670 (67)	4,600 (69)	3,080 (73.5)					
14					4,395 (24)	4,395 (35)	4,395 (42)	4,395 (47.5)	4,395 (52.5)	4,670 (62)	4,600 (65.5)	3,080 (70.5)					
16						3,290 (21.5)	3,290 (33)	3,290 (40)	3,290 (46)	3,945 (58.5)	4,065 (61.5)	2,695 (67.5)					
18							2,485 (19.5)	2,485 (30.5)	2,485 (39)	3,170 (54)	3,045 (57.5)	2,080 (64.5)					
20								1,760 (17)	1,760 (30)	2,480 (49.5)	2,855 (53.5)	2,110 (61.5)					
22									1,170 (17)	1,945 (44)	2,050 (49)	1,895 (58)					
24										1,515 (38.5)	1,630 (44)	1,705 (54.5)					
26										1,165 (31.5)	1,255 (38.5)	1,530 (51)					
28										880 (23)	935 (32.5)	1,205 (42)					
30											670 (25.5)	920 (43)					
32												880 (38.5)					
34													465 (33)				

Note: Boom angles are in degrees **A6-829-001614B & -002136A**

ON OUTRIGGERS FULLY EXTENDED - OVER FRONT

Radius in Meters	Main Boom Length in Meters (Power Pinned Fly Retracted)													Power Pin 2.2M	9.7M 31.2M	9.7M 31.2M	
	10.3	11.6	13.4	15.2	17.1	18.9	20.7	22.6	24.5	31.7	34.4	41.4					
3	30,000 (64)	30,000 (67.5)	26,890 (68.5)	26,305 (70.5)	22,000 (73.5)	19,910 (75.5)	16,555 (75.5)										
3.5	29,030 (61)	28,350 (68.5)	26,760 (69.5)	24,355 (72)	22,000 (74)	19,910 (75.5)	16,555 (75.5)										
4	26,335 (54)	26,035 (59)	24,720 (61)	22,995 (65)	20,775 (70)	18,140 (72.5)	16,555 (74.5)	15,875 (74.5)									
4.5	22,495 (50.5)	22,180 (56)	21,455 (61)	19,365 (65)	17,915 (70)	16,825 (72.5)	15,150 (74.5)										
6	19,230 (42.5)	19,140 (49.5)	18,825 (56)	16,965 (61)	15,645 (64.5)	14,650 (67.5)	13,880 (71.5)	12,335 (74)									
7	16,235 (33.5)	15,420 (42.5)	15,195 (46.5)	13,835 (56.5)	12,925 (60.5)	12,200 (64)	11,565 (68.5)	10,930 (71.5)									
8	11,655 (20.5)	11,655 (34)	11,655 (45)	11,655 (51.5)	11,655 (56.5)	11,520 (60.5)	10,840 (66)	10,250 (69)	9,705 (75)	8,480 (75.5)	7,390 (75.5)						
9		10,830 (23.5)	10,830 (38)	10,830 (44)	10,830 (51.5)	10,340 (57)	9,705 (60.5)	9,160 (63.5)	8,500 (66.5)	7,575 (72)	6,730 (74.5)						
10			8,795 (30.8)	8,795 (41)	8,795 (48)	8,795 (53)	8,255 (57)	7,755 (60.5)	7,155 (64)	6,800 (71)	6,165 (72.5)	4,355 (76)					
12				4,395 (27)	4,395 (38)	4,395 (45)	4,395 (50)	4,395 (54)	4,395 (58.5)	4,670 (67)	4,600 (69)	3,080 (73.5)					
14					4,395 (24)	4,395 (35)	4,395 (42)	4,395 (47.5)	4,395 (52.5)	4,670 (62)	4,600 (65.5)	3,080 (70.5)					
16						3,290 (21.5)	3,290 (33)	3,290 (40)	3,290 (46)	3,945 (58.5)	4,065 (61.5)	2,695 (67.5)					
18							2,485 (19.5)	2,485 (30.5)	2,485 (39)	3,170 (54)	3,045 (57.5)	2,080 (64.5)					
20								1,760 (17)	1,760 (30)	2,480 (49.5)	2,855 (53.5)	2,110 (61.5)					
22									1,170 (17)	1,945 (44)	2,050 (49)	1,895 (58)					
24										1,515 (38.5)	1,630 (44)	1,705 (54.5)					
26										1,165 (31.5)	1,255 (38.5)	1,530 (51)					
28										880 (23)	935 (32.5)	1,205 (42)					
30											670 (25.5)	920 (43)					
32												880 (38.5)					
34													465 (33)				

Note: Boom angles are in degrees **A6-829-001608B & -002136A**

ON RUBBER CAPACITIES

Radius In Meters	Stationary Capacity Boom Centered Over Front	Stationary Capacity Defined Arc (1)Over Front	4 km/h Capacity Boom Centered (2)Over Front	Stationary Capacity 360° Arc
3	26,425 (a)	20,570 (a)	16,620 (a)	16,305 (a)
3.5	23,655 (a)	18,370 (a)	14,765 (a)	12,775 (b)
4	21,360 (a)	16,280 (a)	13,230 (a)	10,325 (b)
4.5	19,425 (a)	14,375 (a)	11,940 (a)	8,460 (b)
5	16,285 (a)	13,245 (b)	10,840 (a)	6,940 (c)
6	12,050 (b)	11,495 (b)	9,055 (b)	4,795 (c)
7	9,205 (b)	9,205 (b)	7,645 (b)	3,680 (c)
8	6,950 (c)	6,950 (c)	6,520 (c)	2,785 (c)
9	5,640 (c)	5,640 (c)	5,630 (c)	2,080 (c)
10	4,600 (c)	4,600 (c)	4,600 (c)	1,565 (c)
12	3,040 (c)	3,040 (c)	3,040 (c)	705 (c)
14	2,120 (c)	2,120 (c)	2,120 (c)	

Maximum permissible boom length: **A6-829-001626A**

- (a) 10.3m
- (b) 13.4m
- (c) 17.1m

- (1) Defined Arc - Left front track CL to right front track CL.
- (2) Mechanical swing lock pin must be engaged.

Chart based on 21.00 x 25 (24 ply)/26.5x25 (22 ply)/29.5x25 (22 ply) tires & 70 psi/65 psi/50 psi cold inflation pressures. Loads must be reduced for lower inflation pressures.

Capacities appearing above the BOLD LINE are based on structural strength and tipping should not be relied upon as a capacity limitation.

Capacities do not exceed 75% of tipping loads as determined by test in accordance with SAE Recommended Practice - Crane Load Stability Test Code - SAE J-765.

Capacities are applicable with the machine on a firm level surface only.

9.7m boom ext. and extended power pinned fly not permitted for on rubber lifts.

Notes For On Outriggers

A. Capacities appearing above the bold line are based on structural strength and tipping should not be relied upon as a capacity limitation.

B. Capacities do not exceed 75% of tipping loads as determined by test in accordance with SAE recommended practice-crane load stability test code - SAE J-765.

C. Do not exceed any rated load when lifting regardless of whether it is based on structural strength or stability.

D. For boom lengths less than 31.7 m (104 ft.) with power pinned fly extended, the rated loads are determined by boom angle only in the column headed by 31.7 m (104 ft.) boom. For boom angles not shown, use rating of next lower boom angle.

E. For boom lengths less than 34.4 m (112 ft.) with power pinned fly retracted and 9.7 m (32 ft.) boom ext. erected, the rated loads are determined by boom angle only in the column headed by 34.4 m (112 ft.) boom. For boom angles not shown, use rating of next lower boom angle.

F. For boom lengths less than 41.4 m (136 ft.) with power pinned fly extended and 9.7 m (32 ft.) boom ext. erected, the rated loads are determined by boom angle only in the column headed by 41.4 m (136 ft.) boom. For boom angles not shown, use rating of next lower boom angle.

G. Boom angle is the included angle between horizontal and the axis of the boom base section after lifting rated load.

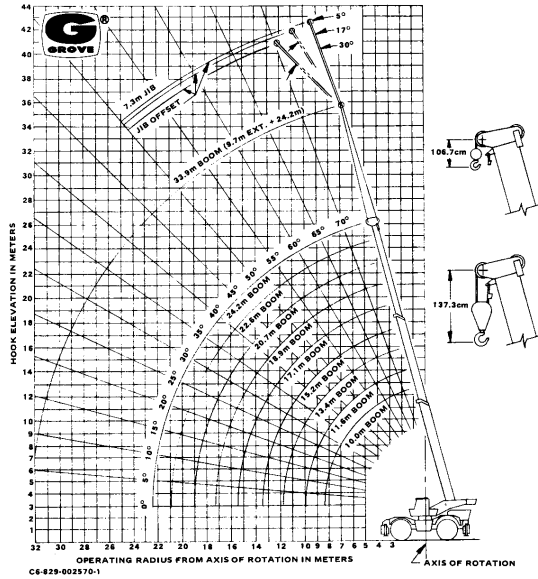
H. WARNING: For Krueger L.M.I. option - when using 9.7 m (32 ft.) boom extension and/or power pinned fly the Krueger L.M.I. rating will apply for full boom extension (Power pinned fly extended) only.

GROVE®

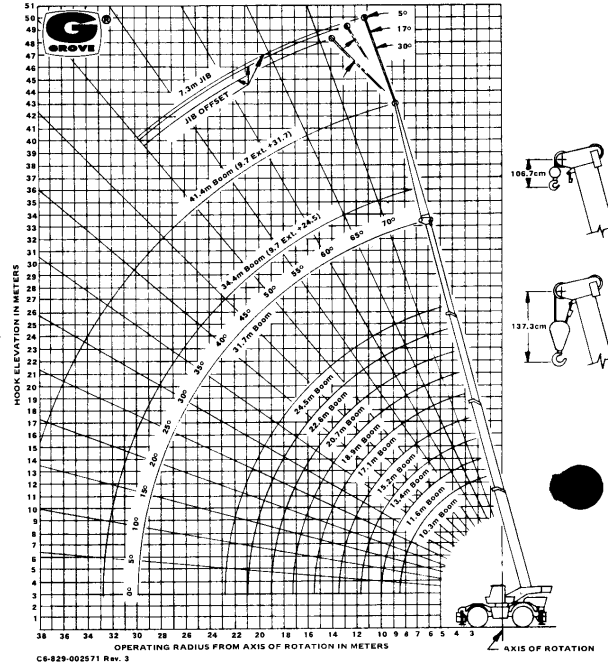
RT65S

RANGE DIAGRAMS

10.0 m - 33.9 m (33 ft. - 112 ft.) FULL POWER BOOM



10.3 m - 41.4 m (34 ft. - 136 ft.) POWER PINNED BOOM



Notes for Lifting Capacities

- Do not exceed any rated lifting capacity. Rated lifting capacities are based on freely suspended loads with the machine leveled and standing on a firm supporting surface. Ratings with outriggers are based on outriggers being extended to their maximum position and tires raised free of crane weight before extending the boom or lifting loads.
- Practical working loads for each particular job shall be established by the user depending on operating condition to include: the supporting surface, wind and other factors affecting stability, hazardous surroundings, experience of personnel, handling of load, etc. No attempt must be made to move a load horizontally on the ground in any direction.
- Operating radius is the horizontal distance from the axis of rotation before loading to the centerline of the vertical hoist line or tackle with loads applied.
- "On Rubber" lifting (if permitted) depends on proper tire inflation, capacity and condition. "On Rubber" loads may be transported at a maximum vehicle speed of 2.5 mi/hr (4 Km/hr) on a firm and level surface under conditions specified.
- Jibs may be used for lifting crane service only. Jib capacities are based on structural strength of jib or main boom and on main boom angle.
- Operation is not intended or approved for any conditions outside of those shown hereon. Handling of personnel from the boom is not authorized except with equipment furnished and installed by Grove Manufacturing Company.
- For clamshell or concrete bucket operation, weight of bucket and load must not exceed 80% of rated lifting capacities.
- Power-telescoping boom sections must be extended equally at all times. Long cantilever booms can create a tipping condition when in extended and lowered position.
- The maximum load which may be telescoped is limited by hydraulic pressure, boom angle, boom lubrication, etc. It is safe to attempt to telescope any load within the limits of rated lifting capacity chart.
- With certain boom and hoist tackle combinations, maximum capacities may not be obtainable with standard cable lengths.
- With certain boom and load combinations, raising of load with boom lift cylinders may not be possible. Operational safety is not affected by this condition.
- Keep load handling devices a minimum of 12 inches (30 cm) below boom head when lowering or extending boom.
- If actual boom length and/or radius is between values listed, use lifting capacity for the next longer rated length and/or radius.
- All load handling devices and boom attachments are considered part of the load and suitable allowances must be made for their combined weights.
- Operation of this equipment in excess of rating charts or disregard of the instructions is hazardous and voids the warranty and manufacturer's liability.