

STAR 13



- Compact and easy to drive
- 5 ft 5 in stowed height
- 30 in width
- Electric and proportional controls



The Haulotte® advantages

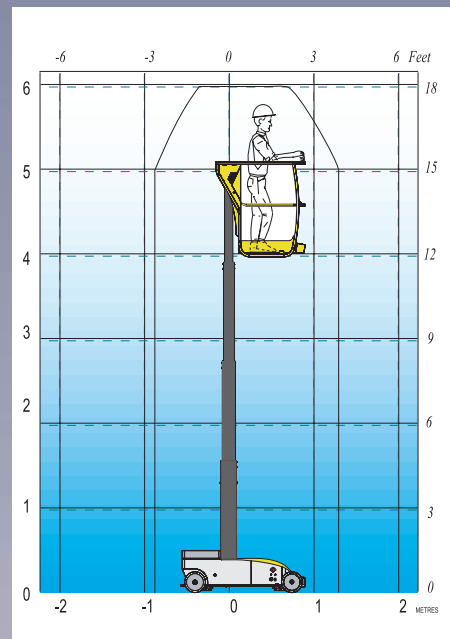
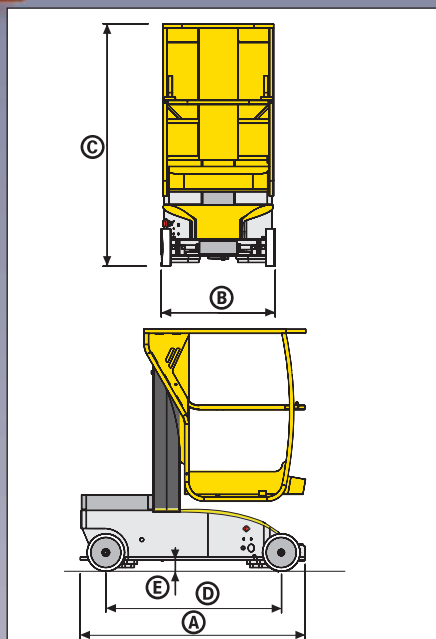
- Ideally suited for maintenance works
- Electric drive possible at full height
- 5 ft 5 in stowed height allowing passage through standard doors and lifts
- 30 in width, very tight turning radius offering high driveability in the most congested areas
- Proportional controls allowing soft and very progressive driving
- 3.1 mph maximum drive speed
- Low weight allowing high autonomy
- Robust, reliable and easy to maintain

STANDARD FEATURES

- 24 V electric engine continuous
- 24 AH - 225 V semi-traction batteries
- 30 Amp charger
- Batteries load indicator
- 2 drive speeds
- 2 front drive and steer wheel
- Non marking tires
- Free wheeling device
- Hourmeter
- Horn in cage
- Emergency stop
- Towing hooks
- Detachable control box with outlets in the basket or on the chassis

OPTIONS & ACCESSORIES

- Flashing light
- Motion for all-movements alarm
- 110 V line to cage



SPECIFICATIONS

Working height	19 ft 1 in
Platform height	13 ft 1 in
Driveable up to	13 ft 1 in
Maximum capacity	397 lb
A Stowed length	4 ft 11 in
B Overall width	30 in
C Stowed height	5 ft 5 in
D Wheelbase	3 ft 10 in
E Ground clearance	2.75 in
Platform size	2 ft 4 in x 2 ft 7 in
Drive speed proportional	0.9 / 3.1 mph
Lift speed	17 / 30 sec.
Outside turning radius	3 ft 3 in
Semi-traction batteries	24 Amph / 225 V - C20
Maximum gradeability	22 %
Non marking tires	250 x 60
Hydraulic tank	2 gal
Weight	1,764 lb

ANSI/SIA A92.6 and CSA/B354-4 Standards Compliance



Haulotte 
GROUP

HAULOTTE US INC • 7135 Standard drive - Hanover - MD21076 - USA
Tel : +1 410 7124403 • Fax : +1 410 7124419 • Toll free : +1 877-HAULOTTE • e-mail : sales@us.haulotte.com