

PK 30002 / PK 33002 · EH

High Performance

PALFINGER CRANE



KTL
protected

**Paltronic
50**
controlled

RRC^{*)}
Radio Remote Control
operated

HPSC^{*)}
High Performance Stability Control
monitored

AOS^{*)}
Active Deceleration Suppression
inside

DPS^{*)}
Dual Power System
activated

Two professionals for professionals

Reliable in any situation

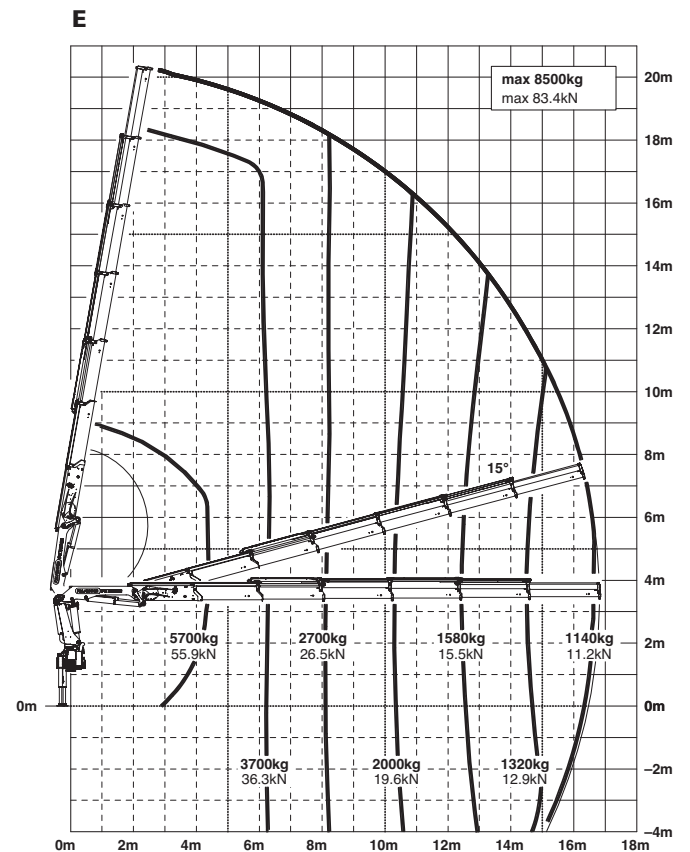
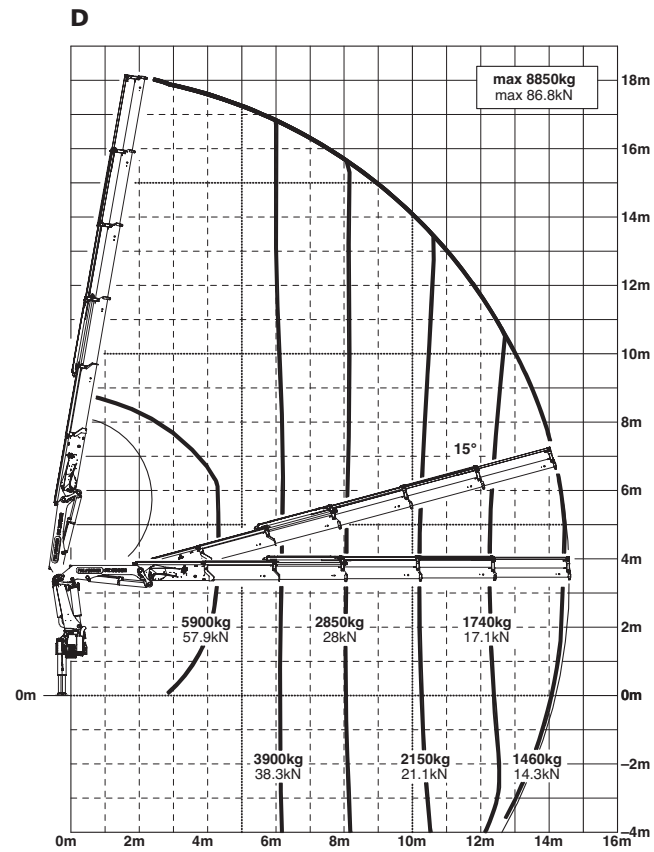
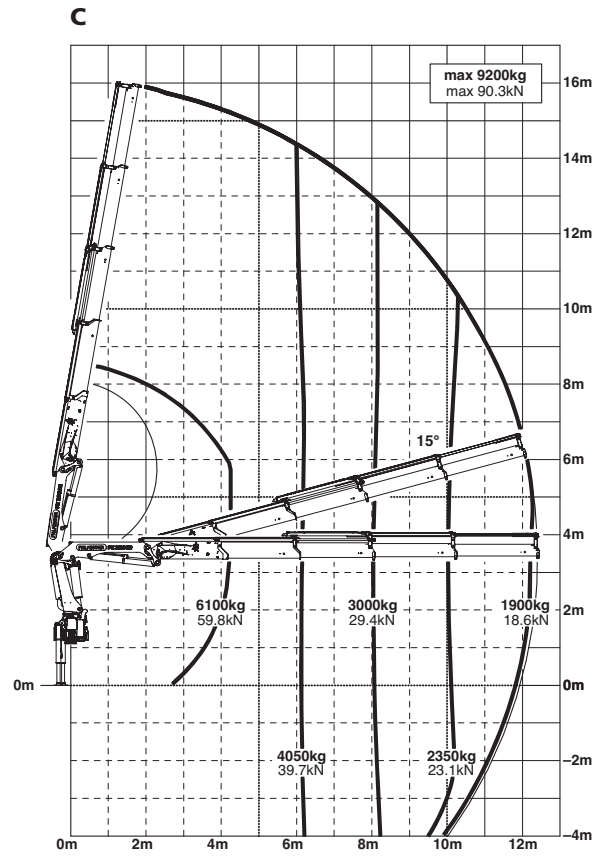
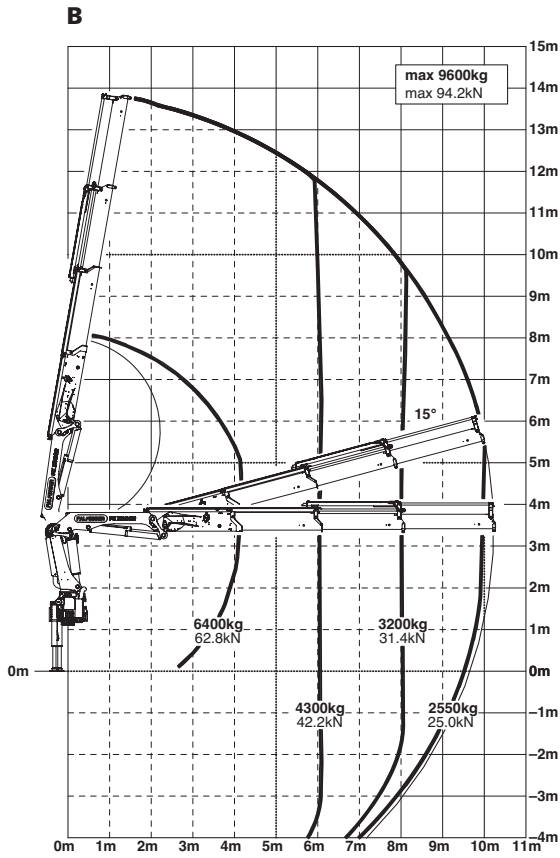
Flexible range of applications and excellent operating efficiency. Equipped with Power Link Plus, both the PK 30002 and PK 33002 EH show that they can not only tackle but also solve difficult tasks. Even in extremely tight spaces. The proven E-HPLS technology combines power, comfort and safety. Make its diligence your strength!



Wide range of applications



PK 30002 High Performance



The outreaches stated are with a boom angle of 20° and are therefore not the maximum.

PK 30002 High Performance

Max. lifting capacities

A

Max. lifting capacities		10000 kg	22040 lbs
Outreach		Capacity	
4,1 m	13' 5"	6700 kg	14700 lbs
6,0 m	19' 8"	4500 kg	10000 lbs
7,9 m	25' 11"	3450 kg	7600 lbs

B

Max. lifting capacities		9600 kg	21160 lbs
Outreach		Capacity	
4,2 m	13' 9"	6400 kg	14100 lbs
6,1 m	20' 0"	4300 kg	9500 lbs
8,0 m	26' 3"	3200 kg	7100 lbs
10,1 m	33' 2"	2550 kg	5600 lbs

C

Max. lifting capacities		9200 kg	20280 lbs
Outreach		Capacity	
4,2 m	13' 9"	6100 kg	13500 lbs
6,1 m	20' 0"	4050 kg	9000 lbs
8,0 m	26' 3"	3000 kg	6600 lbs
10,1 m	33' 2"	2350 kg	5100 lbs
12,2 m	40' 0"	1900 kg	4200 lbs
14,4 m*	47' 3"	1540 kg	3400 lbs
16,6 m*	54' 6"	1260 kg	2780 lbs

D

Max. lifting capacities		8850 kg	19500 lbs
Outreach		Capacity	
4,3 m	14' 1"	5900 kg	13000 lbs
6,2 m	20' 4"	3900 kg	8500 lbs
8,1 m	26' 7"	2850 kg	6200 lbs
10,2 m	33' 6"	2150 kg	4750 lbs
12,3 m	40' 4"	1740 kg	3800 lbs
14,4 m	47' 3"	1460 kg	3250 lbs
16,7 m*	54' 9"	1200 kg	2650 lbs
18,8 m*	61' 8"	1000 kg	2200 lbs

E

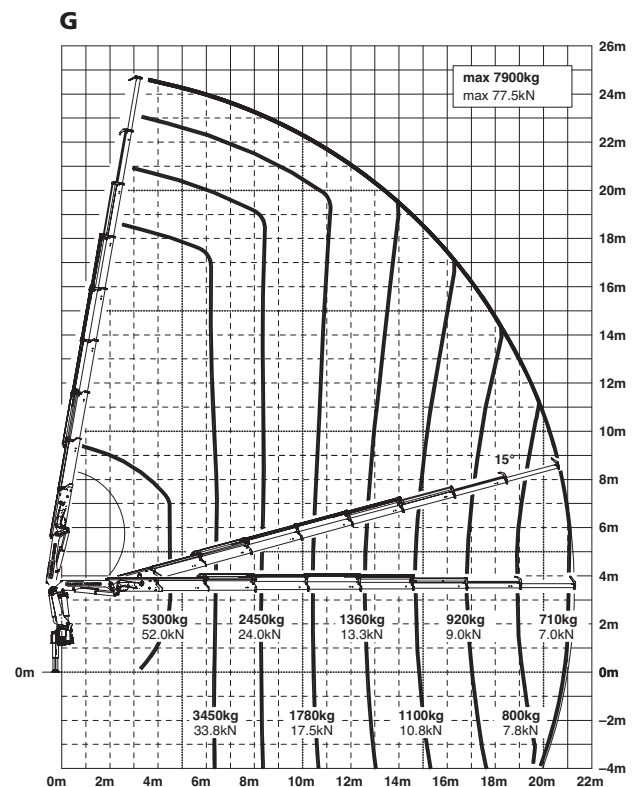
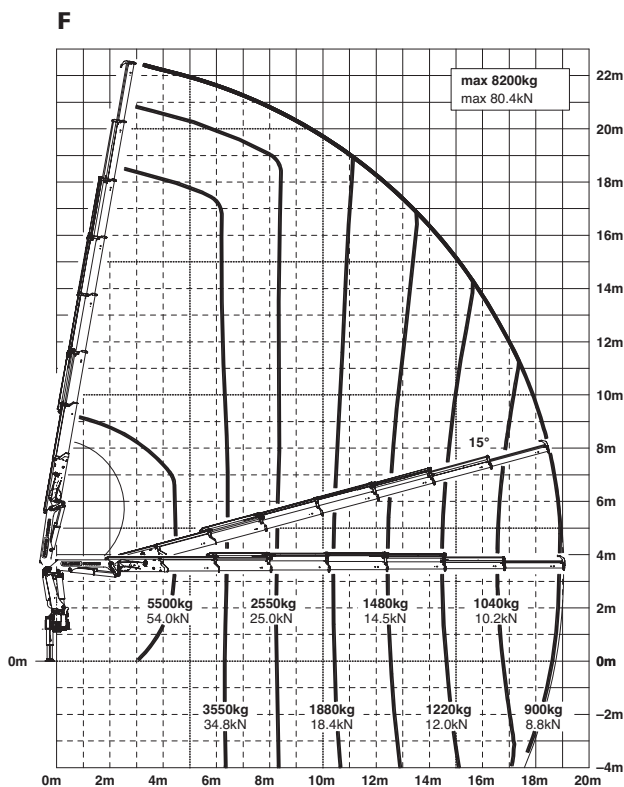
Max. lifting capacities		8500 kg	18730 lbs
Outreach		Capacity	
4,4 m	14' 5"	5700 kg	12500 lbs
6,3 m	20' 8"	3700 kg	8200 lbs
8,2 m	26' 11"	2700 kg	5900 lbs
10,3 m	33' 10"	2000 kg	4400 lbs
12,4 m	40' 8"	1580 kg	3500 lbs
14,5 m	47' 7"	1320 kg	2900 lbs
16,7 m	54' 9"	1140 kg	2500 lbs
18,8 m*	61' 8"	950 kg	2100 lbs
21,0 m*	68' 11"	810 kg	1780 lbs

F

Max. lifting capacities		8200 kg	18070 lbs
Outreach		Capacity	
4,5 m	14' 9"	5500 kg	12100 lbs
6,4 m	20' 12"	3550 kg	7900 lbs
8,3 m	27' 3"	2550 kg	5600 lbs
10,4 m	34' 1"	1880 kg	4150 lbs
12,5 m	41' 0"	1480 kg	3250 lbs
14,6 m	47' 11"	1220 kg	2700 lbs
16,7 m	54' 9"	1040 kg	2300 lbs
18,9 m	62' 0"	900 kg	2000 lbs
21,1 m*	69' 3"	770 kg	1700 lbs
23,1 m*	75' 9"	570 kg	1260 lbs

G

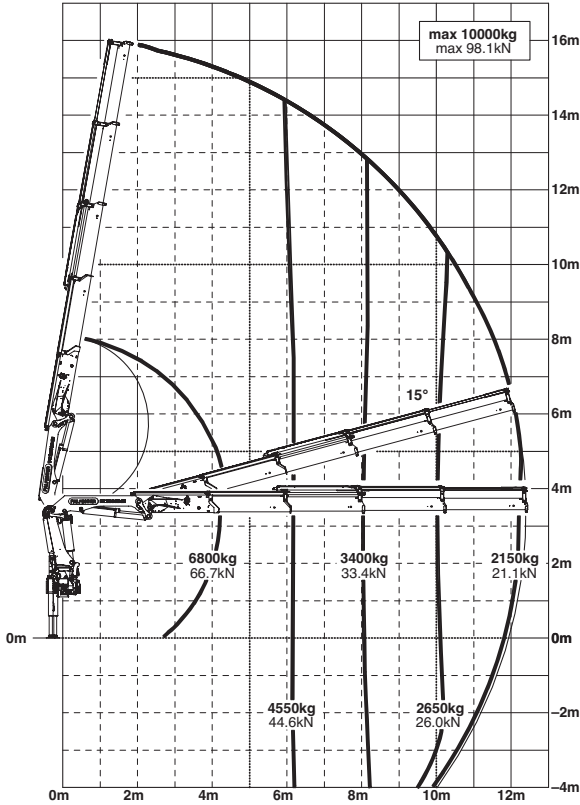
Max. lifting capacities		7900 kg	17400 lbs
Outreach		Capacity	
4,6 m	15' 1"	5300 kg	11700 lbs
6,5 m	21' 4"	3450 kg	7600 lbs
8,4 m	27' 7"	2450 kg	5400 lbs
10,5 m	34' 5"	1780 kg	3900 lbs
12,6 m	41' 4"	1360 kg	3000 lbs
14,7 m	48' 3"	1100 kg	2450 lbs
16,8 m	55' 1"	920 kg	2050 lbs
19,0 m	62' 4"	800 kg	1760 lbs
21,1 m	69' 3"	710 kg	1560 lbs
23,1 m*	75' 9"	570 kg	1260 lbs



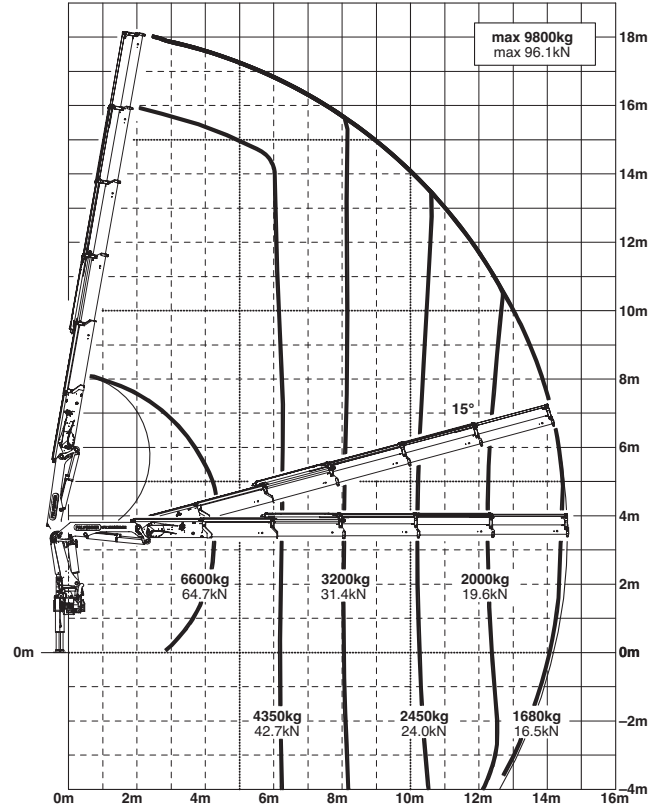
*mechanical extension

PK 33002 EH High Performance

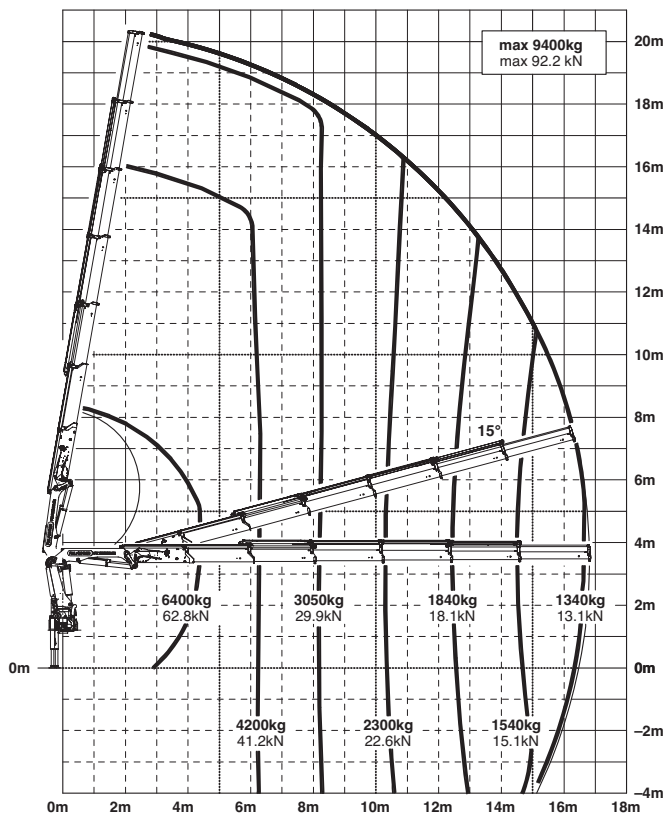
C



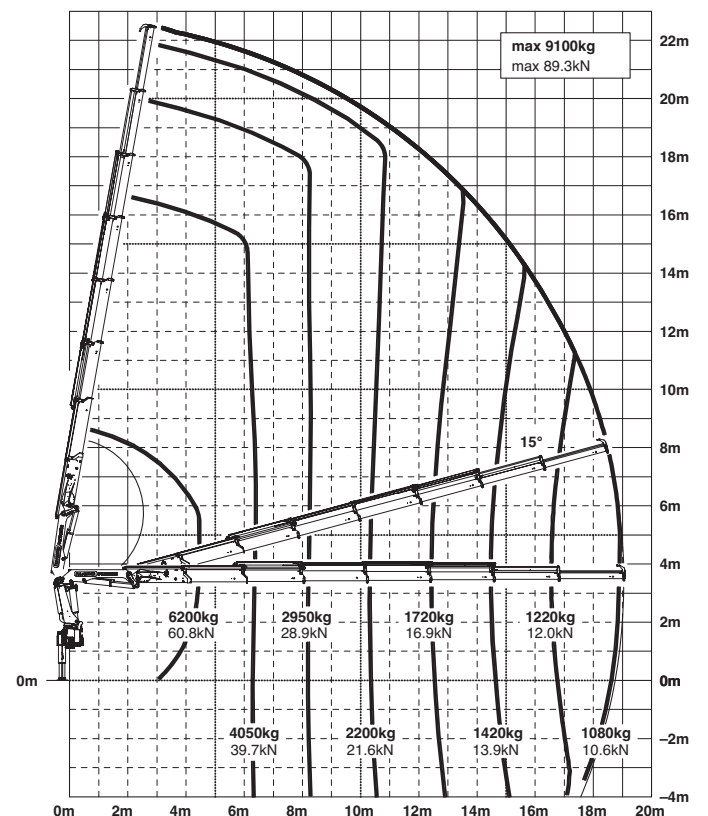
D



E



F



The outreaches stated are with a boom angle of 20° and are therefore not the maximum.

First-rate in design and performance



Power Link Plus

This knuckle boom, specially developed by PALFINGER which can be angled upwards stands out by virtue of excellent movement geometry. Even in the tightest spaces difficult crane jobs can be performed with precision.



Maintenance-free extension system

With the maintenance-free extension system PALFINGER sets a clear path in easy servicing. The use of sliding elements made of special plastic in combination with the proven KTL cathodic dip painting means that the extension boom system no longer has to be serviced by the operator. This not only saves time and expense but also protects the environment.



Control console

All important information about the crane can be seen on the main control stand. A digital indicator counts and displays the operating hours. Ergonomic control levers and the optional lighting package provide increased safety and comfort even in poor visibility conditions.



Functional Design

Functional Design elements increase working comfort, protect against damage and make servicing and maintenance easier. The spiral tube hose optimally protects the hydraulic hoses from environmental influences, damage and dirt. Thanks to the patented interlock system, the crane is equipped with an innovative outrigger safety system for manual stabilizer supports.



Lighting package (optional)

The control stand is supplied on request with LED illumination and backlit symbols. LED warning lights are fitted on the outriggers to provide better visibility.



Radio remote control

Radio remote control with digital data transmission (standard on EH models) offers maximum efficiency and comfort. The display integrated in the handset informs the crane operator continuously about the current capacity loading level of the crane.



PALTRONIC 50

Modern electronics in the increasingly complex crane system offers safety and comfort functions which make the crane operator's work easier and increases the efficiency of the crane job.

Its diligence. Your strength.

Outrigger system

All the outriggers are fitted as standard with a ball-jointed support plate that can be swivelled through 10°. This enables them to adapt optimally to the ground. The enlarged plate also reduces the pressure on the ground. Three possible hydraulic stabilizer widths: 5.6 / 6.6 / 7.4 m. The crane's stabilizer cylinders can be pivoted fully hydraulically upwards through 180° (optional equipment).



Load-holding valve

They prevent the crane boom from dropping and are fitted as standard on all slewing, lifting, knuckle-boom and extension cylinders. The valves are positioned in such a way that they are protected against damage.



Hose equipment for auxiliary equipment

Hoses providing oil supply for auxiliary equipment are routed in compact trays and protective chains. A clean design offers maximum service life. There is also an optional solution with hose drum on the main boom with the hoses guided on the inside in the extension system for protection.



Return oil utilisation

The high speed of the extension system is impressive. It results from return oil utilisation, which is installed as standard, and the generously dimensioned hydraulic lines. This increases efficiency in all types of applications!



KTL – the cathodic dip painting

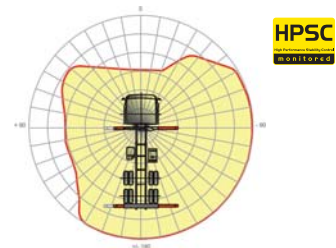
The shot-blasted crane parts are covered in zinc phosphate in an immersion process and coated electro-statically. The subsequent two-component top coating of paint provides a surface protection which in the past was usually only found in the automotive industry.



HPSC*

The High Performance Stability Control System (HPSC) monitors the stability of the crane vehicle. Sensors for proportional length measurement located in the stabilizers make their positioning fully variable. As a result, it is possible to calculate the permissible working range for any stabilizer situation. The integrated real-time data algorithm ensures optimum utilization of the lifting power at every point of the stability curve.

* HPSC or an alternative system for monitoring stability is mandatory in the version compliant with EN12999:2011.



AOS (optional)

The Active Oscillation Suppression system available exclusively from PALFINGER compensates for jolts and sharp stress cycles caused by crane operation. Because oscillations are eradicated the crane can work with precision, much faster and therefore more cost-efficiently.



PK 33002 EH High Performance

Max. lifting capacities

A

Max. lifting capacities		10000 kg	22040 lbs
Outreach	Capacity		
4,1 m	13' 5"	7400 kg	16300 lbs
6,0 m	19' 8"	5000 kg	11100 lbs
7,9 m	25' 11"	3800 kg	8400 lbs

B

Max. lifting capacities		10000 kg	22040 lbs
Outreach	Capacity		
4,2 m	13' 9"	7100 kg	15700 lbs
6,1 m	20' 0"	4800 kg	10600 lbs
8,0 m	26' 3"	3600 kg	8000 lbs
10,1 m	33' 2"	2850 kg	6300 lbs

C

Max. lifting capacities		10000 kg	22040 lbs
Outreach	Capacity		
4,2 m	13' 9"	6800 kg	15000 lbs
6,1 m	20' 0"	4550 kg	10100 lbs
8,0 m	26' 3"	3400 kg	7500 lbs
10,1 m	33' 2"	2650 kg	5800 lbs
12,2 m	40' 0"	2150 kg	4750 lbs
14,4 m*	47' 3"	1760 kg	3900 lbs
16,6 m*	54' 6"	1460 kg	3200 lbs

D

Max. lifting capacities		9800 kg	21600 lbs
Outreach	Capacity		
4,3 m	14' 1"	6600 kg	14500 lbs
6,2 m	20' 4"	4350 kg	9600 lbs
8,1 m	26' 7"	3200 kg	7100 lbs
10,2 m	33' 6"	2450 kg	5400 lbs
12,3 m	40' 4"	2000 kg	4400 lbs
14,4 m	47' 3"	1680 kg	3700 lbs
16,7 m*	54' 9"	1380 kg	3050 lbs
18,8 m*	61' 8"	1160 kg	2600 lbs

E

Max. lifting capacities		9400 kg	20700 lbs
Outreach	Capacity		
4,4 m	14' 5"	6400 kg	14000 lbs
6,3 m	20' 8"	4200 kg	9200 lbs
8,2 m	26' 11"	3050 kg	6700 lbs
10,3 m	33' 10"	2300 kg	5100 lbs
12,4 m	40' 8"	1840 kg	4050 lbs
14,5 m	47' 7"	1540 kg	3400 lbs
16,7 m	54' 9"	1340 kg	2950 lbs
18,8 m*	61' 8"	1120 kg	2500 lbs
21,0 m*	68' 11"	960 kg	2120 lbs

F

Max. lifting capacities		9100 kg	20060 lbs
Outreach	Capacity		
4,5 m	14' 9"	6200 kg	13600 lbs
6,4 m	20' 12"	4050 kg	8900 lbs
8,3 m	27' 3"	2950 kg	6400 lbs
10,4 m	34' 1"	2200 kg	4800 lbs
12,5 m	41' 0"	1720 kg	3800 lbs
14,6 m	47' 11"	1420 kg	3150 lbs
16,7 m	54' 9"	1220 kg	2700 lbs
18,9 m	62' 0"	1080 kg	2350 lbs
21,1 m*	69' 3"	920 kg	2040 lbs
23,1 m*	75' 9"	570 kg	1260 lbs

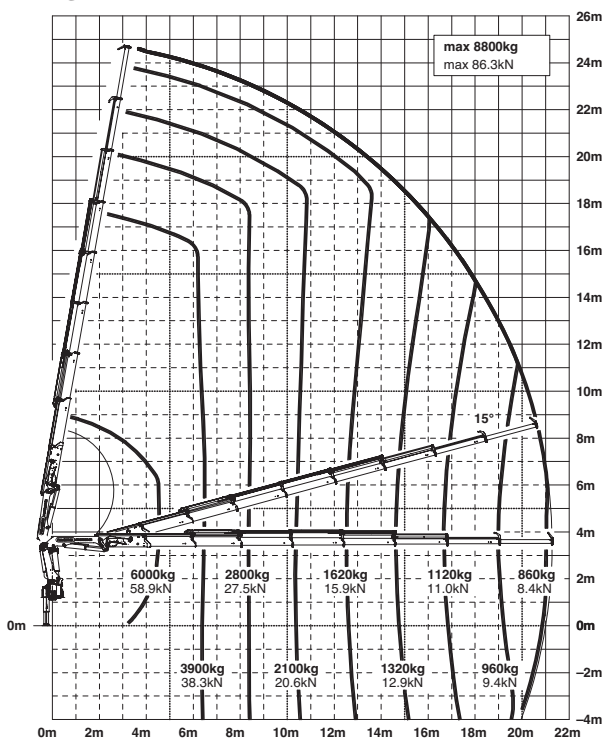
G

Max. lifting capacities		8800 kg	19400 lbs
Outreach	Capacity		
4,6 m	15' 1"	6000 kg	13200 lbs
6,5 m	21' 4"	3900 kg	8600 lbs
8,4 m	27' 7"	2800 kg	6200 lbs
10,5 m	34' 5"	2100 kg	4550 lbs
12,6 m	41' 4"	1620 kg	3550 lbs
14,7 m	48' 3"	1320 kg	2900 lbs
16,8 m	55' 1"	1120 kg	2450 lbs
19,0 m	62' 4"	960 kg	2150 lbs
21,1 m	69' 3"	860 kg	1900 lbs
23,1 m*	75' 9"	570 kg	1260 lbs

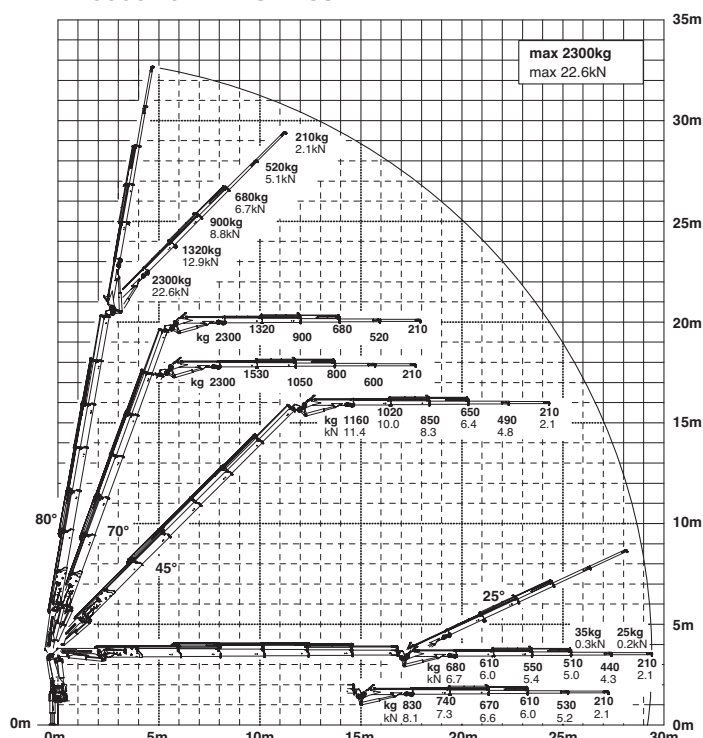
Package model PK 33002 EH:

- E-HPLS
- Paltronic 50
- Radio remote control with LED display
- Danfoss control valve or PVG2000
- 8.5 kW oil cooler
- 200 l oil tank

G



E PJ060B JV2 DPS PLUS



*mechanical extension

Seamless service network.
Excellent coverage
worldwide.

PK 30002 High Performance

Technical Specifications (EN 12999 HC1 HD4/B3)

Max. lifting moment	28.0 mt/275.0 kNm	202810 ft.lbs
Max. lifting capacity	10000 kg/98.1 kN	22050 lbs
Max. hydraulic outreach	21.3 m	69' 11"
Max. manual outreach	23.3 m	76' 5"
Slewing angle	400°	
Slewing torque	3.2 mt/31.4 kNm	23130 ft.lbs
Stabilizer spread	std. 5.6 m/18' 4"	max. 7.4 m/24' 3"
Fitting space required (std.)	1.01 m	3' 4"
Width folded	2.53 m	8' 3"
Max. operating pressure	320 bar	4640 psi
Recommended pump capacity	from 55 l/min	14.5 US gal./min
	to 80 l/min	21.1 US gal./min
Dead weight (std.)	2876 kg	6340 lbs

PK 33002 EH High Performance

Technical Specifications (EN 12999 HC1 HD4/B3)

Max. lifting moment	31.1 mt/305.0 kNm	224940 ft.lbs
Max. lifting capacity	10000 kg/98.1 kN	22050 lbs
Max. hydraulic outreach	21.3 m	69' 11"
Max. manual outreach	23.3 m	76' 5"
Outreach (+ fly jib)	29.4 m	96' 5"
Slewing angle	400°	
Slewing torque	3.2 mt/31.4 kNm	23130 ft.lbs
Stabilizer spread	std. 5.6 m/18' 4"	max. 7.4 m/24' 3"
Fitting space required (std.)	1.01 m	3' 4"
Width folded	2.53 m	8' 3"
Max. operating pressure	350 bar	5075 psi
Recommended pump capacity	from 80 l/min	21.1 US gal./min
	to 100 l/min	26.4 US gal./min
Dead weight (std.)	2876 kg	6340 lbs

