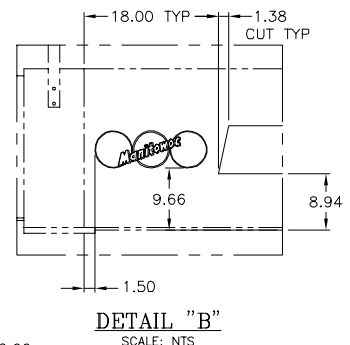
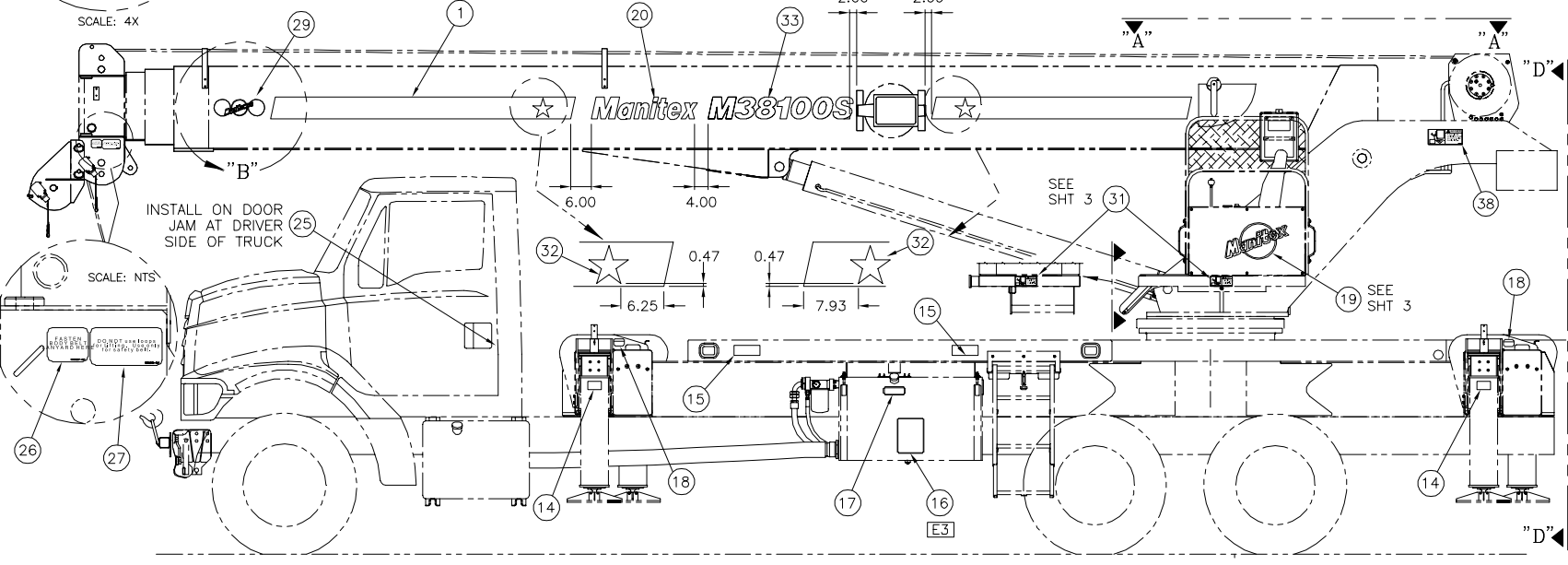


BILL OF MATERIAL				
ITEM NO.	PART NUMBER	QTY	DESCRIPTION	UNIT WEIGHT
31	4000629-002	3	DECAL, SWINGING UPR	-
32	4000681-001	4	DECAL, STAR	-
33	4000684-021	2	DECAL, MOD.M38100S	-
34				
35	4000588-014	5	DECAL, O/R CONFIG	- E
36				
37				
38	4000629-001	2	DECAL, SWINGING UPR	-
39	4000588-012	8	DECAL, O/R EXT L	- E1
40	4000588-013	8	DECAL, O/R EXT R	- E2
41	1000209-303	22'	DECAL, O/R STRIPE	-



BILL OF MATERIAL					REVISIONS	
ITEM NO.	PART NUMBER	QTY	DESCRIPTION	UNIT WEIGHT		
1	1000209-101	38'	DECAL, BOOM STRIPE	-	EN 97-0023-22	
2	4000118-001	1	SERIAL NUMBER PLATE	-	EO 12/97	
3	4000142-152	1	52' DECAL RH	-	NEW RELEASE	
4	4000142-168	1	68' DECAL RH	-	EN 97-0023-31	
5	4000142-184	1	84' DECAL RH	-	EO 12/97	
6	4000142-1100	1	100' DECAL RH	-	AT1 ADDED ITEMS	
7	4000142-252	1	52' DECAL LH	-	39, 40 AND 41	
8	4000142-268	1	68' DECAL LH	-	AT2 ADDED SHT 3	
9	4000142-284	1	84' DECAL LH	-	EN 98-0002-08	
10	4000142-2100	1	100' DECAL LH	-	EO 2/98	
11	4000143-001	2	DECAL, CAUTION OPER	-	EN 98-0003-10	
12	4000144-001	2	DECAL, CRANE OPER	-	EO 3/98	
D1	13	4000540-001	1	DECAL, DANGER ELECT	-	CT1 WAS M35100S
14	4000146-001	4	DECAL, CAUTION STAN	-	CT2 ITEM 19 WAS	
15	4000148-001	5	DECAL, DANGER ELECT	-	2	
D	16	4000151-001	1	DECAL, HAND SIGNAL	-	EN 98-0009-01
17	4000152-001	1	DECAL, HYD FLUID RE	-	DAS 9-16-98	
18	4000153-001	10	DECAL, CAUTION DO N	-	D QTY WAS 2	
D2	19	4000159-002	2	DECAL, MANITEX LOGO	-	D1 P/N WAS
D3	20	4000160-102	3	DECAL, MANITEX SIGN	-	4000145-001
21	4000186-001	1	DECAL, BOOM ANG RH	-	D2 QTY WAS 3	
22	4000186-002	1	DECAL, BOOM ANG LH	-	D3 QTY WAS 2	
23	4000232-003	1	DECAL, START/STOP	-	EN 98-0011-04	
24	4000233-001	1	DECAL, HORN	-	DAS 11-18-98	
25	4000236-001	1	DECAL, VEH CERT	-	E ADDED	
26	4000237-001	2	DECAL, FASTEN BELT	-	E1 WAS P/N	
27	4000240-001	2	DECAL, DO NOT USE	-	4000588-008	
28	4000294-001	1	DECAL, SYSTEM PRESS	-	E2 WAS P/N	
D	29	4000530-001	3	DECAL, MANITOWOC WW	-	4000588-009
30	4000588-006	1	DECAL, OUTRIGGER CTL	-	E3 MOVED FROM	



DOCUMENT CONTROL STATUS:
ELECTRONIC FILE = CONTROLLED
HAND COPY = UNCONTROLLED

Manitowoc Boom Trucks, Inc.

SCALE: 16"=1"
DRAWN: E.ORTIZ
CHECKED: DAS
APP'D./DATE: E.O. 12/97

TRADEMARK & NAMPLATE
INSTALLATION
MODEL M38100S

TOLERANCES (UNLESS SPECIFIED): 7000168-023
SHEET 1 OF 3

REVISIONS

EN 97-0023-22
 EO 12/97
 NEW RELEASE
 EN 97-0023-31
 EO 12/97
 A1 SEE SHT 1
 A2 SEE SHT 3

BOOM RIGHT SIDE

SCALE .50X

F.S. (21)

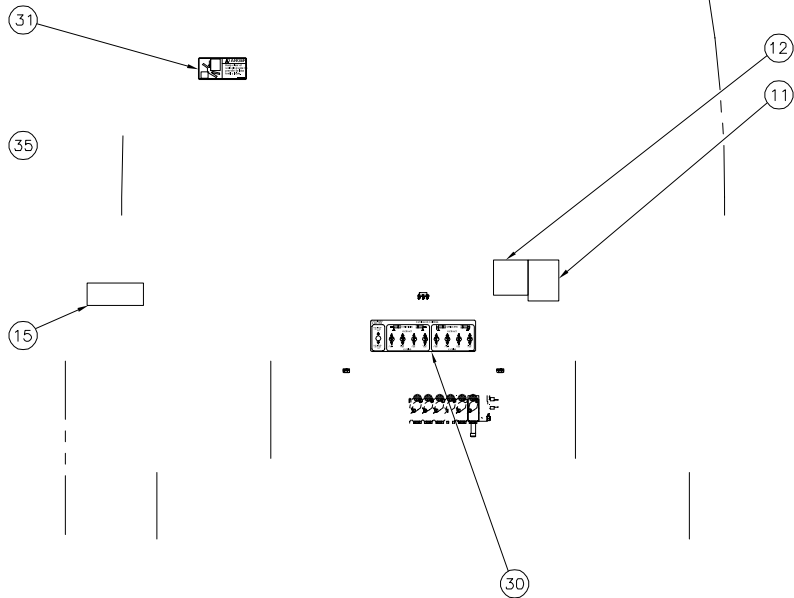
N.S. (22)

VIEW "C-C"

TOP OF CONSOLE

TURRET RIGHT SIDE

VIEW "D-D"



(18)

DOCUMENT CONTROL STATUS:
 ELECTRONIC FILE = CONTROLLED
 HARD COPY = UNCONTROLLED

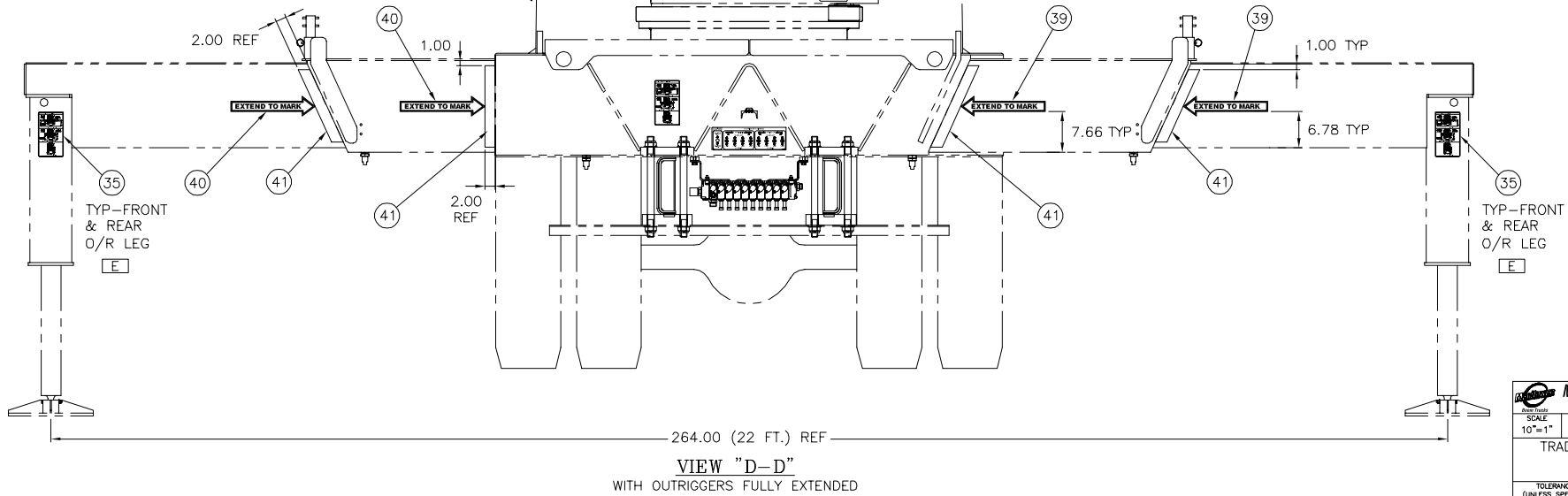
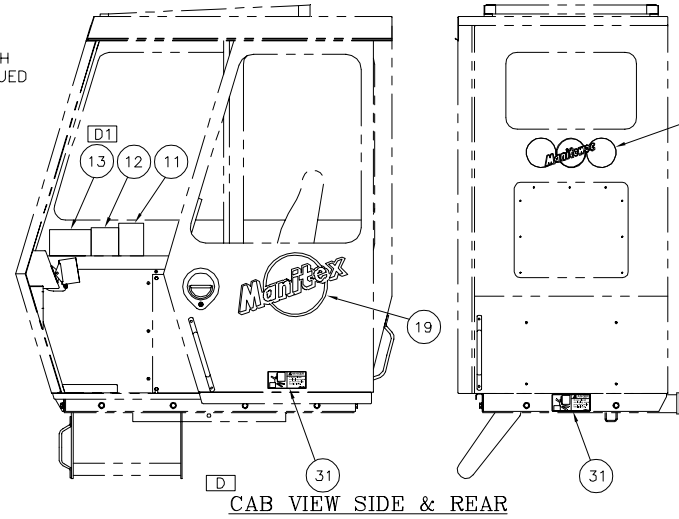
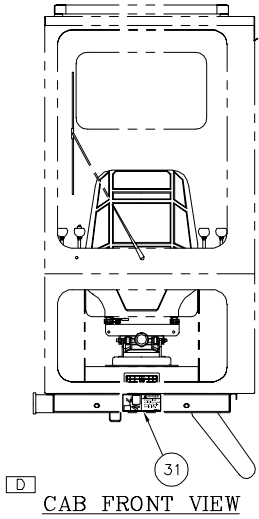
SCALE 8"=1"	DRAWN E.ORTIZ	CHECKED DAS	APP'D./DATE E.ORTIZ 12/97
TRADEMARK & NAMEPLATE INSTALLATION MODEL M38100S			
TOLERANCES (UNLESS SPECIFIED) ±1/16"		7000168-023	
SHEET		2 OF 3	

NOTE:

NO ADDITIONAL DECALS ARE NECESSARY FOR THE CAB. IF THE CRANE IS EQUIPPED WITH A CAB, APPLY THE DECALS ISSUED TO THE CRANE AS SHOWN.

REVISIONS

EN 97-0023-22
EO 12/97
NEW RELEASE
EN 97-0023-31
EO 12/97
[AT] ADDED ITEMS 39, 40 AND 41
[AZ] ADDED SHT 3
EN 98-0002-08
EO 2/98
[B] SEE SHT 1
EN 98-0003-10
EO 3/98
[C1] SEE SHT 1
[C2] SEE SHT 2
EN 98-0009-01
DAS 9-16-98
[D] ADDED
D1 WAS P/N 4000145-001
EN 98-0011-04
DAS 11-19-98
[E] ADDED
EN 99-0004-12
EO 4/99
[F] SEE SHT 1



DOCUMENT CONTROL STATUS:
ELECTRONIC FILE = CONTROLLED
HARD COPY = UNCONTROLLED

Manitowoc Boom Trucks, Inc.

SCALE	DRAWN	CHECKED	APP'D./DATE
10"=1"	E.ORTIZ	DAS	E.ORTIZ 12/97

TRADEMARK & NAMEPLATE
INSTALLATION
MODEL M38100S

TOLERANCES (UNLESS SPECIFIED)	7000168-023
±1/16"	SHEET 3 OF 3