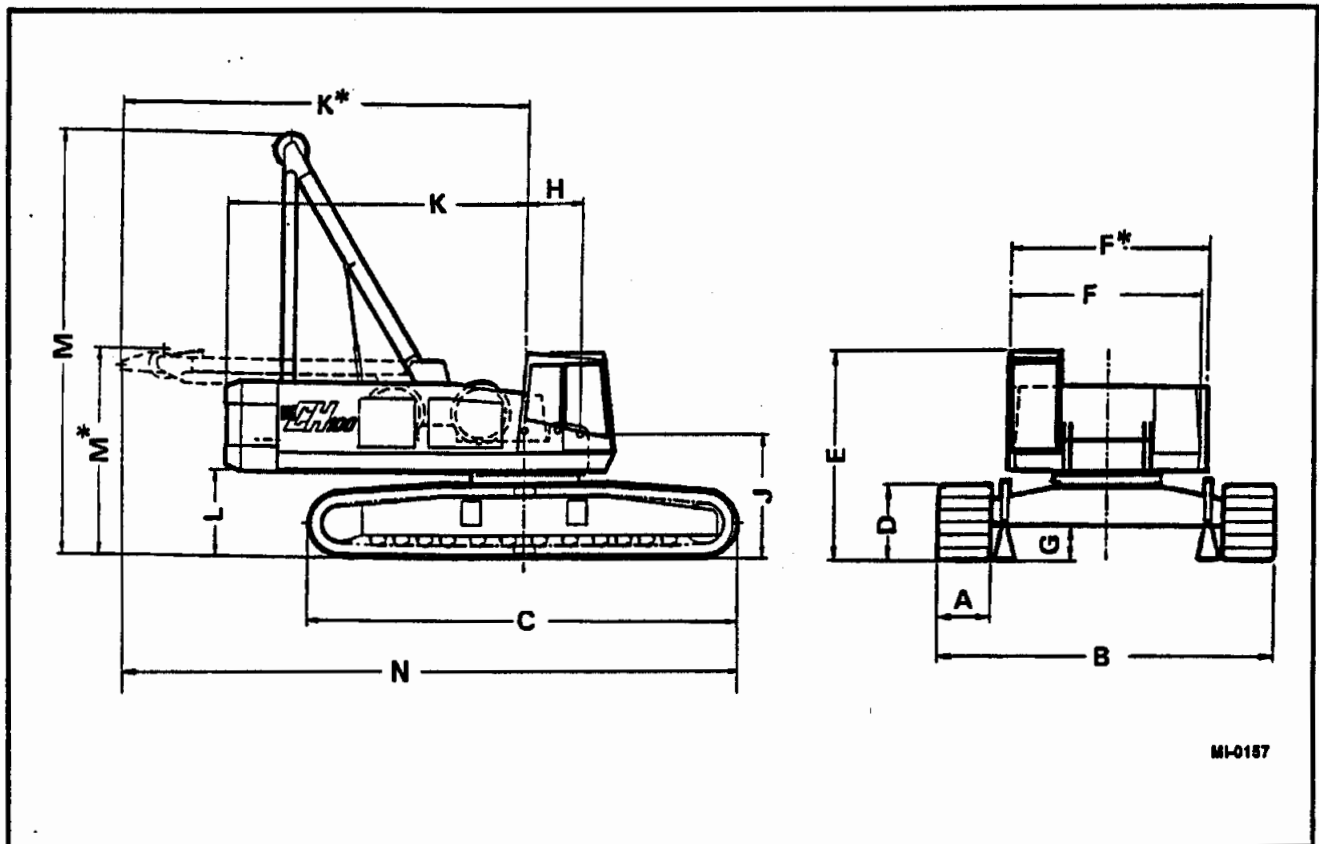


MACHINE WEIGHTS & DIMENSIONS

Machine dimensions



MI-0187

		mm
A	Width of track plates	950
B	Width of tracks extended	6100
C	Length of tracks	7900
D	Height of tracks	1360
E	Height of operators cab	3740
F	Width of upperworks	3480
F*	Width of counterweight	3580
G	Ground clearance under machine	635
H	Boom foot pin centre of rotation	1000
J	Height of boom foot pin	2235
K	Radius of rear end	5500
K*	Radius over folded 'A' frame	7350
L	Clearance under revolving frame	1560
M	Height over 'A' frame	7680
M*	Height over folded 'A' frame	3740
N	Overall Length	11250

MACHINE WEIGHTS & DIMENSIONS

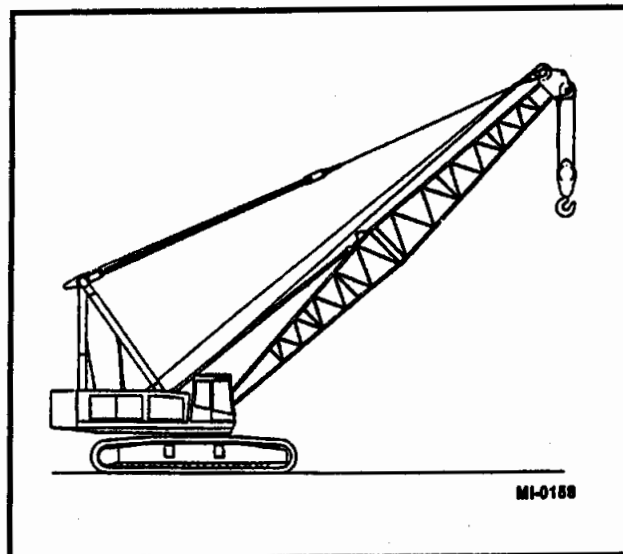
Transportation weights

Machine weight (approximate): Machine with basic 18 metre boom.

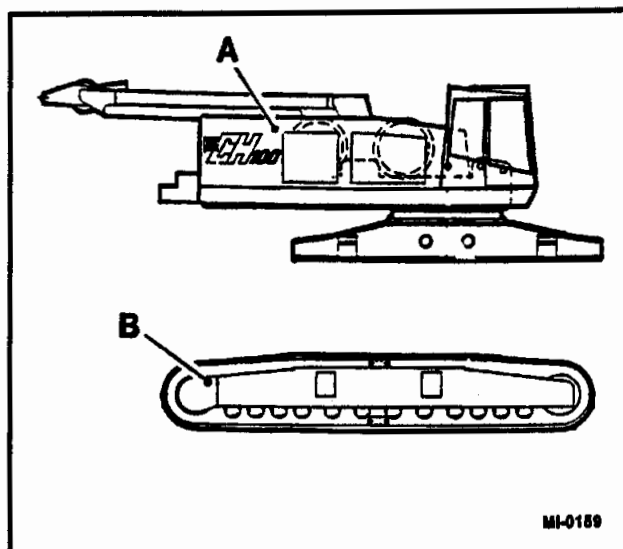
Machine	Kg	lb
Lifting crane	114,268	251,915
*Dragline	114,268	251,915
*Clamshell	114,368	252,135
*Not illustrated		

Ground bearing pressure

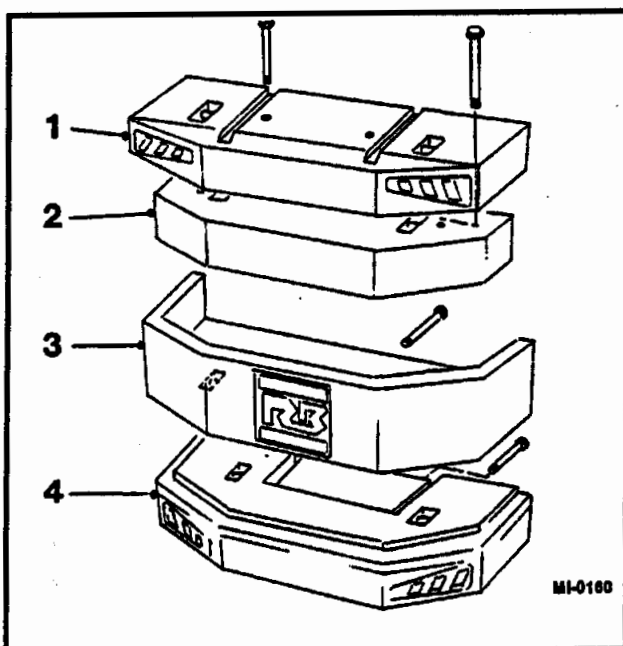
Machine with basic boom	
Kg/cm ²	lb/in ²
0.86	12.15



Base machine component weight breakdown			
		Kg	lb
A	Upperworks	39,990	88,162
B	Crawler (each)	17,500	38,580



Counterweight (4 part)		
	Kg	lb
1	8,060	17,770
2	7,360	16,225
3	8,770	19,334
4	9,360	20,635
Total weight	33,550 Kg	73,964 lb



MACHINE WEIGHTS & DIMENSIONS

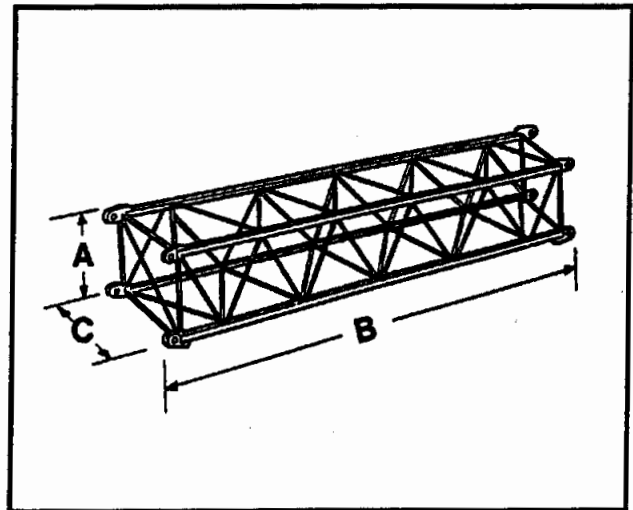
Front-end equipment (basic)

Lower Boom

Weight		Dimensions (L x W x H)	
kg	lb	mm	in
1525	3362	9167 x 1870 x 1875	361 x 74 x 14

Upper Boom

Weight		Dimensions (L x W x H)	
kg	lb	mm	in
1725	3803	9432 x 1870 x 1875	371 x 74 x 74



Intersection length	Weight		Dimensions					
	Kg	lb	A		B		C	
			mm	in	mm	in	mm	in
3.00m extension	455	1003	1875	74	3130	173	1870	74
6.00m extension	745	1642	1875	74	6130	241	1870	74
9.00m extension	980	2160	1875	74	9130	360	1870	74

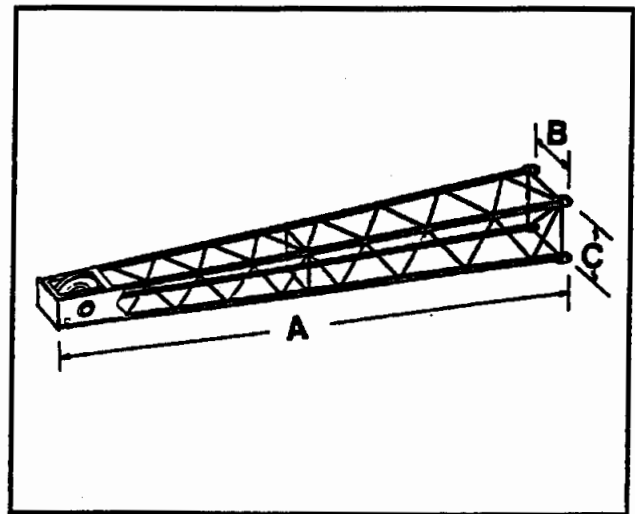
Pendants (In matched fours)	Kg	lb
3M	120	265
6M	190	419
9M	245	540
Basic	230	507

MACHINE WEIGHTS & DIMENSIONS

**Front-end attachments (optional)
Offset jib**

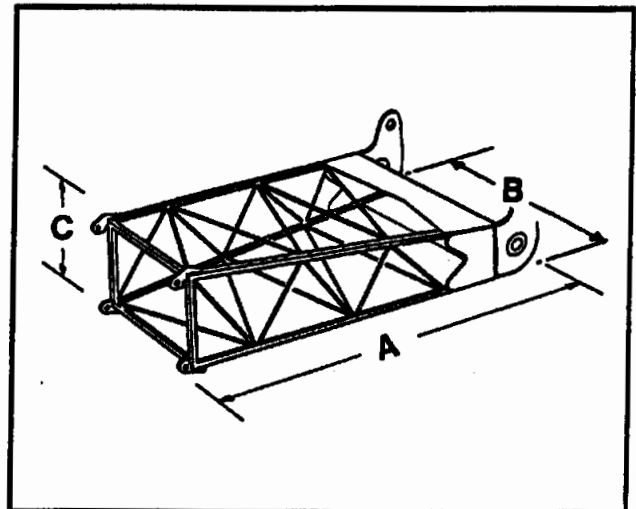
Top section, c/w sheave

Weight		Dimentions					
Kg	lb	A		B		C	
		mm	in	mm	in	mm	in
384	846	6440	254	920	36	916	36



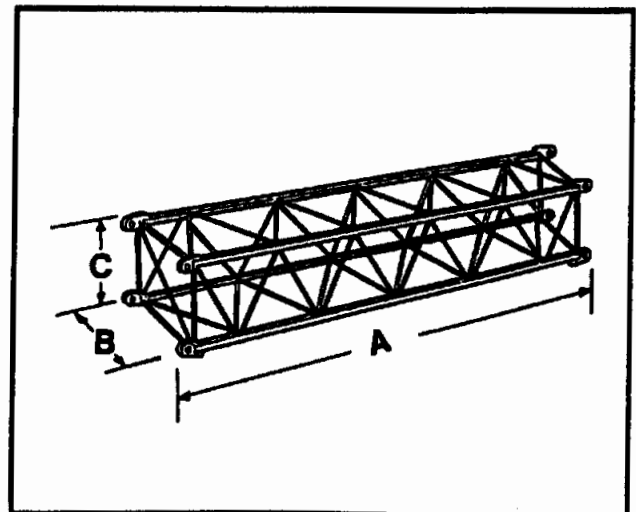
Bottom section

Weight		Dimentions					
Kg	lb	A		B		C	
		mm	in	mm	in	mm	in
371	817	6134	242	964	38	916	36



Intersection

Weight		Dimentions					
Kg	lb	A		B		C	
		mm	in	mm	in	mm	in
250	552	6070	239	920	36	920	36



**Offset jib mast c/w sheaves (not illustrated)
Weight 218 Kg 480 lb**