



A TEREX BRAND

# *Parts Manual*

## Serial Number Range

***GTH-644***

GTH-644 from GTH0606A-8418  
to GTH0610A-14000

***GTH-842***

GTH-644 from GTH0606B-6271  
to GTH0610B-14000

***GTH-844***

GTH-842 from GTH0806A-8418  
to GTH0810A-14000

GTH-842 from GTH0806B-6958  
to GTH0810B-14000

GTH-844 from GTH0806A-8418  
to GTH0810A-14000

GTH-844 from GTH0806B-6956  
to GTH0810B-14000

Part No. 97486

Rev B16

January 2015

## Technical Publications

Genie has endeavored to deliver the highest degree of accuracy possible. However, continuous improvement of our products is a Genie policy. Therefore, product specifications are subject to change without notice.

Readers are encouraged to notify Genie of errors and send in suggestions for improvement. All communications will be carefully considered for future printings of this and all other manuals.

## Contact Us:

Internet: [www.genielift.com](http://www.genielift.com)


E-mail: [awp.techpub@terex.com](mailto:awp.techpub@terex.com)

---

Copyright © 2011 by Terex Corporation

97486 Rev B October 2011  
First Edition, Second Printing

Genie is a registered trademark of Terex South Dakota, Inc. in the USA and many other countries. "GTH" is a trademark of Terex South Dakota, Inc.

 Printed on recycled paper

**Genie**  
A TEREX BRAND

Terex South Dakota, inc.  
18340 NE 76th Street  
Redmond, WA 98052 USA

**MODEL:** GTH-636

**SERIAL NUMBER:** GTH0606A-1234

**ATTACHMENT:** 48" WIDE FORK FRAME

**MANUFACTURE DATE :** 10/12/10

**TOTAL TRUCK WEIGHT:** 21,398 lbs / 9,706 kg

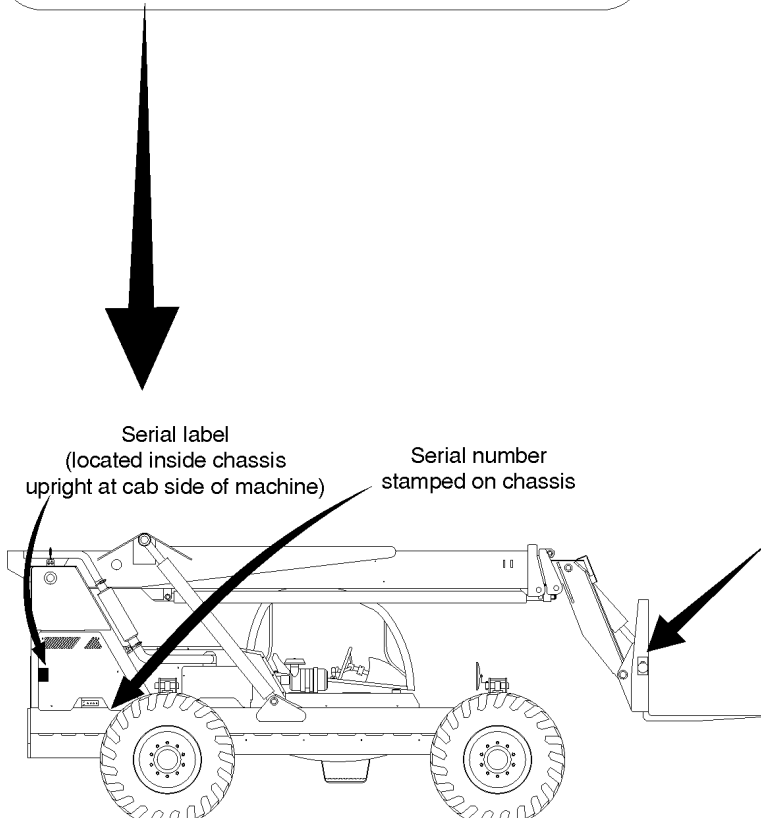
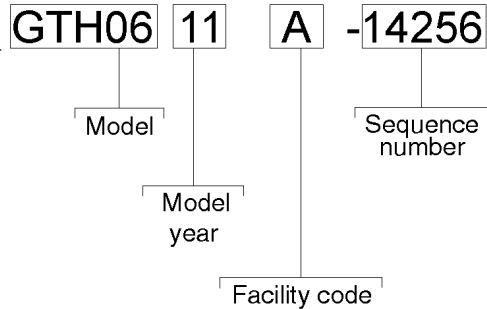
**MAX. LIFT CAPACITY:**  
6000 lbs

**LIFT CAPACITY (LBS) AT MAX LIFT HEIGHT:** 4000 lbs

**OUTRIGGERS UP:**  
**OUTRIGGERS DOWN:** Position 29

**THIS FORKLIFT TRUCK COMPLIES WITH:**  
ASME B56.6-2002 SAFETY STD FOR  
ROUGH TERRAIN FORKLIFT TRUCK

**COUNTRY OF MANUFACTURE:**



**Genie**  
A TEREX BRAND

|                               |                             |
|-------------------------------|-----------------------------|
| <b>Model No.</b>              | <u>BX-1004</u>              |
| <b>Serial No.</b>             | <u>GTH0611-14256</u>        |
| <b>Yr. of Mfg.</b>            | <u>10/12/10</u>             |
| <b>Cap. (lbs)</b>             | <u>2000</u>                 |
| <b>Max. Wt. (lbs)</b>         | <u>620.50</u>               |
| <b>C.G. (in)</b>              | <u>54.43</u>                |
| <b>Max. Hyd. Press. (psi)</b> | <u>                    </u> |

**Capacity of truck and attachment combination may be less than the capacity shown here. Consult truck load capacity plate. Complies with ASME B56.6-2002**

Table of Contents

This manual is updated frequently. If you have a printed manual, you can keep it up to date by downloading new figures from the Genie website at [www.genielift.com](http://www.genielift.com). For the most up-to-date parts information, visit the Parts Lookup System on the Genie website at [www.genielift.com](http://www.genielift.com).

How to Read Your Serial Number.....3  
 Parts Stocking List.....7  
 How to Order Parts.....8  
 Service Parts Fax Order Form.....9

**Electronic Version**

Click on any page number to view the figure.

**0100 Decals**

101.1 Decals, View 1.....10  
 102.1 Decals, View 2.....12

**0200 Drive Chassis Components**

201.1 Power Train Assembly, JD-4045 Tier II.....14  
 202.1 Drive Shaft Assembly, Front & Rear.....16  
 203.1 Fuel Tank Assembly.....18  
 204.1 Battery Box Assembly.....20  
 205.1 General Assembly, View 1.....22  
 206.1 General Assembly, View 2.....24  
 207.1 Engine Enclosure Assembly, JD-4045 Tier II (to serial number GTH0607B-6513, GTH0807B-7649 and GTH0807A-10364).....28  
 207.2 Engine Enclosure Assembly, Perkins 1104C (from serial number GTH0607B-6514, GTH0807B-7650 and GTH0807A-10365).....30

**0300 Transmission Components**

301.1 Transmission Converter Housing Assembly, T12000.....32  
 302.1 Transmission Case and Plate Assembly, T12000.....34  
 303.1 Transmission Torque Converter Assembly, T12000.....36  
 304.1 Transmission Gear Assembly, T12000.....38  
 305.1 Transmission Pump Drive Assembly, T12000.....40  
 306.1 Transmission Charging Pump Assembly, T12000.....42  
 307.1 Transmission Reverse Idler Assembly, T12000.....44  
 308.1 Transmission Forward and Reverse Shaft Assembly, T12000.....46  
 309.1 Transmission Third Shaft Assembly, T12000.....48  
 310.1 Transmission First and Second Shaft Assembly, T12000.....50

311.1 Transmission Output Shaft Assembly, T12000.....52  
 312.1 Transmission Control Assembly, T12000.....54  
 313.1 Transmission Modulation Valve Assembly, T12000.....56  
 314.1 Transmission Drive Plate Assembly, T12000.....58

**0400 Front and Rear Axle Components**

401.1 Axle Gear Box and Covers, Front and Rear Axle.....60  
 402.1 Differential Assembly, Front Axle.....62  
 403.1 Axle Differential Assembly, Rear Axle.....64  
 404.1 Axle Steering Assembly, Front and Rear Axle.....66  
 405.1 Trunnion Mount Assembly, Front and Rear.....68  
 406.1 Service Brakes and Parking Brakes, Front Axle.....70  
 407.1 Disc Brake Assembly, Rear Axle.....72  
 408.1 Steering Arm Assembly, Front and Rear.....74  
 409.1 Steering Cylinder Assembly, Front and Rear Axle.....76

**0500 Engine Components**

501.1 Engine and pump Assembly, JD-4045.....78  
 502.1 Starter Relay, Sender Assembly, JD-4045.....80  
 503.1 Engine Assembly, Deutz BF42012, View 1.....82  
 504.1 Engine Assembly, Deutz BF42012, View 2.....84  
 505.1 Engine Assembly, Deutz BF42012, View 3.....86  
 506.1 Engine Components, Deutz BF42012, View 4.....88  
 507.1 Engine Components, Perkins 1104C Tier 2 and Tier 3, View 1.....90  
 508.1 Engine Assembly, Perkins 1104C, Tier 2 and Tier 3, View 2.....92  
 509.1 Engine Assembly, Perkins 1104C, Tier 2 and Tier 3, View 3.....94  
 510.1 Exhaust Assembly, JD-4045 and Deutz BF4M2012...96  
 511.1 Exhaust Assembly, Perkins 1104C.....98  
 512.1 Air Cleaner Assembly, All Models.....100

**0600 Cab Components**

601.1 Operators Compartment Assembly, View 1.....102  
 602.1 Operators Compartment Assembly, View 2.....106  
 603.1 Operators Compartment Assembly, View 3.....108  
 604.1 Foot Brake Assembly.....110  
 605.1 Accelerator Assembly with Pedal End.....112  
 606.1 Instrument Panel Assembly (before serial number GTH0608A-12690).....114  
 606.1 Instrument Panel Assembly (before serial number GTH0808A-12690).....116  
 606.2 Instrument Panel Assembly (from serial number GTH0608A-12690).....118  
 606.2 Instrument Panel Assembly (from serial number GTH0808A-12690).....120  
 607.1 4-Way Controller Assembly.....122

**0700 Boom Components**

|                                   |     |
|-----------------------------------|-----|
| 701.1 Boom Assembly, View 1.....  | 124 |
| 702.1 Boom Assembly, View 2.....  | 126 |
| 703.1 Boom Assembly, View 3.....  | 128 |
| 704.1 Boom Assembly, View 4.....  | 130 |
| 705.1 Boom Assembly, View 5.....  | 132 |
| 706.1 Boom Assembly, View 6.....  | 134 |
| 707.1 Boom Assembly, View 7.....  | 136 |
| 708.1 Boom Assembly, View 8.....  | 138 |
| 709.1 Boom Assembly, View 9.....  | 140 |
| 710.1 Boom Assembly, View 10..... | 142 |

**0800 Hydraulic Hoses and Fittings**

|  |     |
|--|-----|
| 801.1 Circuit,Pump, Oil Reservoir.....                             | 144 |
| 802.1 Circuit, Lift-Tilt, GTH-844.....                             | 146 |
| 803.1 Circuit, Lift-Tilt, GTH-842.....                             | 148 |
| 804.1 Circuit, Lift-Tilt, GTH-644.....                             | 150 |
| 805.1 Circuit, Boom.....   | 152 |
| 806.1 Circuit, Boom, GTH-842.....                                  | 154 |
| 807.1 Circuit, 4 Way Controller.....                               | 156 |
| 808.1 Circuit, Steering.....                                       | 158 |
| 809.1 Circuit, Sway.....   | 160 |
| 810.1 Circuit, Rear Lock-Up.....                                   | 162 |
| 811.1 Circuit, Parking Brake, GTH-844, GTH-842.....                | 164 |
| 812.1 Circuit, Parking Brake, GTH-644.....                         | 166 |
| 813.1 Circuit, Pressure Checks.....                                | 168 |
| 814.1 Circuit, Brake - Differential Lock, GTH-844,<br>GTH-842..... | 170 |
| 815.1 Circuit, Brake, GTH-644.....                                 | 172 |
| 816.1 Circuit, Oil Cooler, JD-4045, Tier II.....                   | 174 |
| 817.1 Circuit, Oil Cooler, Perkins, 1104C.....                     | 176 |
| 818.1 Circuit, Fuel, JD-4045, Tier II.....                         | 178 |
| 819.1 Circuit, Fuel, Perkins 1104C.....                            | 180 |

**0900 Hydraulic Components**

|   |     |
|---|-----|
| 901.1 Lift Cylinder, GTH-844.....             | 182 |
| 902.1 Lift Cylinder, GTH-644 and GTH-842..... | 184 |
| 903.1 Tilt Cylinder.....                      | 186 |
| 904.1 Boom Cylinder, GTH-644 and GTH-844..... | 188 |
| 905.1 Boom Cylinder, GTH-842.....             | 190 |
| 906.1 Sway-rear Lock up Cylinder.....         | 192 |
| 907.1 Motion Valve, Base Tilt Cylinder.....   | 194 |
| 908.1 Motion Valve, Head Tilt Cylinder.....   | 196 |
| 909.1 Motion Valve, Boom Cylinder.....        | 198 |
| 910.1 Motion Valve, Base Lift Cylinder.....   | 200 |
| 911.1 Dual Pilot Check Valve.....             | 202 |
| 912.1 Orbital Assembly.....                   | 204 |

|   |     |
|---|-----|
| 913.1 Selector Valve, Steering.....                   | 206 |
| 914.1 Return Filter Assembly.....                     | 208 |
| 915.1 Control Block Assembly.....                     | 210 |
| 916.1 Main Valve Assembly.....                        | 212 |
| 917.1 Hydraulic Pump Assembly, View 1.....            | 216 |
| 918.1 Hydraulic Pump Assembly, View 2.....            | 218 |
| 919.1 Electric Valve, 4 -Way.....                     | 220 |
| 920.1 Electric Valve Assembly, 4 -Way.....            | 222 |
| 921.1 Valve, Boom Activated Rear-Lock.....            | 224 |
| 922.1 Valve, Parking Brake and Differential Lock..... | 226 |
| 923.1 Rear Lockup Manifold.....                       | 228 |

**1000 Accessories**

|  |     |
|--|-----|
| 1001. 1 Fully Enclosed Cab Assembly, View 1.....     | 230 |
| 1002. 1 Fully Enclosed Cab Assembly, View 2.....     | 232 |
| 1003. 1 Fully Enclosed Cab Assembly, View 3.....     | 234 |
| 1004. 1 Fully Enclosed Cab Assembly, View 4.....     | 236 |
| 1005. 1 Fully Enclosed Cab Assembly, View 5.....     | 238 |
| 1006. 1 Fork Frame Rotate Assembly.....              | 240 |
| 1007. 1 Rotate Cylinder Assembly.....                | 242 |
| 1008. 1 Dual Pilot Check Valve.....                  | 244 |
| 1009. 1 Circuit, Fork Rotate.....                    | 246 |
| 1010. 1 Circuit, Auxillary Hydraulics, 3 -7 GPM..... | 248 |
| 1011. 1 Road and Work Light Accessory.....           | 250 |
| 1012. 1 Road Light Harnesses.....                    | 252 |
| 1013. 1 Work Light Harnesses.....                    | 254 |
| 1014. 1 HVAC Components.....                         | 256 |
| 1015. 1 HVAC Unit.....                               | 258 |
| 1016. 1 Condenser Assembly, HVAC.....                | 260 |
| 1017. 1 Fender Assembly.....                         | 262 |

**Indices**

|                             |     |
|-----------------------------|-----|
| Part Number Index.....      | 264 |
| Part Description Index..... | 270 |

**Cross References**

|                               |     |
|-------------------------------|-----|
| Fittings Cross Reference..... | 278 |
|-------------------------------|-----|



## Required Parts

The following parts are required to perform maintenance procedures as outlined in the Genie GTH-636, GTH-644, GTH-842, GTH-844, GTH-1048, and GTH-1056 Service Manual.

### JD-4045 Tier II Models:

| Description                                 | Part No.  |
|---|-----------|
| Plug and Cap Kit (for ORFS fittings).....   | 49613     |
| Air Cleaner Assembly.....                   | 7-109-16  |
| Return Filter .....                         | 117044    |
| Element - Hydraulic Return Filter.....      | 117043    |
| Primary Filter.....                         | 7-109-04  |
| Safety Filter.....                          | 7-109-14  |
| Transmission Oil Filter.....                | 7-126-349 |
| Engine Oil Filter, JD4045T .....            | 7-183-184 |
| Engine Fuel Filter, JD4045T.....            | 7-183-45  |
| Maintenance Manual, Dana Axle.....          | 97488     |
| Maintenance Manual, Dana Transmission ..... | 97489     |
| Operator's Manual, Deutz 2012.....          | 97490     |
| Workshop Manual, Deutz 2012 .....           | 97491     |
| Operator's Manual, JD4045T .....            | 97492     |
| Workshop Manual, JD4045T .....              | 97493     |

## Recommended Parts

| Description                              | Part No. |
|--|----------|
| Genie Blue Paint, 1 Gallon .....         | 32150    |
| Genie Blue Paint, 12 Ounce Aerosol.....  | 1484     |
| Genie Gray Paint, 1 Gallon.....          | 32151    |
| Genie Gray Paint, 12 Ounce Aerosol ..... | 1268     |

## Manuals

Genie Industries offers the following support documents for these models:

| Title   | Part No. |
|---|----------|
| Genie GTH-644, GTH-842 and GTH-844 Operator's Manual, 2nd Edition<br>(GTH-642, from serial number GTH0606A-8418)<br>(GTH-642, from serial number GTH0606B-6271)<br>(GTH-842, from serial number GTH0806A-8418)<br>(GTH-842, from serial number GTH0806B-6958)<br>(GTH-844, from serial number GTH0806A-8418)<br>(GTH-844, from serial number GTH0806B-6956)<br>Part Number .....  | 114100   |
| Genie GTH-644, GTH-842, GTH-844, GTH-1048 and GTH-1056 Service Manual, 1st Edition<br>(GTH-642, from serial number GTH0606A-8418)<br>(GTH-642, from serial number GTH0606B-6271)<br>(GTH-842, from serial number GTH0806A-8418)<br>(GTH-842, from serial number GTH0806B-6958)<br>(GTH-844, from serial number GTH0806A-8418)<br>(GTH-844, from serial number GTH0806B-6956)<br>(GTH-1048 and GTH-1056, from serial number GTH1006A-8418 to GTH1007A-11442) ..... | 97487    |
| Genie GTH-1048 and GTH-1056 Service Manual, 2nd Edition (from serial number GTH1007A-11697 and from GTH1007B-7101) .....  | 123701   |
| AEM Safety Manual.....  | 108382   |

## How To Order Parts

Please be prepared with the following information when ordering replacement parts for your Terex or Genie product:

- Machine model number
- Machine serial number
- Part number
- Part description and quantity
- Purchase order number
- "Ship to" address
- Desired method of shipment
- Name and telephone number of the authorized distributor in your area

Use the Service Parts Fax Order Form on the next page and fax your order to our Parts Department.

If you don't know the name of your authorized distributor, or if your area is not currently serviced by an authorized distributor, please call Terex or Genie Industries.

### Machine Information

---

Model

---

Serial Number

---

Date of Purchase

---

Authorized Genie Distributor

---

Phone Number

#### North America

Telephone (425) 556-6551  
 Toll Free (877) 367-5606 in U.S.A. and Canada  
 Fax (425) 556-8659  
 Toll Free Fax (888) 274-6192

#### Europe

Parts Telephone (31) (165) 519 313  
 Parts Fax (31) (165) 511 148

#### Australia

Parts Telephone (61) (7) 3456 4444  
 Parts Fax (61) (7) 3456 4466

#### South America

Parts Telephone (55) (11) 4082 5600  
 Parts Fax (55) (11) 4082 5630





Service Parts Fax Order Form

Fax to: (425) 556-8659 or Toll Free: 888-274-6192  
International: +1-425-556-8659

Please fill out completely

Date \_\_\_\_\_ Account Number \_\_\_\_\_

Your Name \_\_\_\_\_ Your Fax Number \_\_\_\_\_

\_\_\_\_\_ Your Phone Number \_\_\_\_\_

Bill To \_\_\_\_\_ Ship To \_\_\_\_\_

\_\_\_\_\_

\_\_\_\_\_

\_\_\_\_\_

Purchase Order Number \_\_\_\_\_ Ship Via \_\_\_\_\_

Model(s) \_\_\_\_\_ Serial No.(s) \_\_\_\_\_

Optional Equipment \_\_\_\_\_

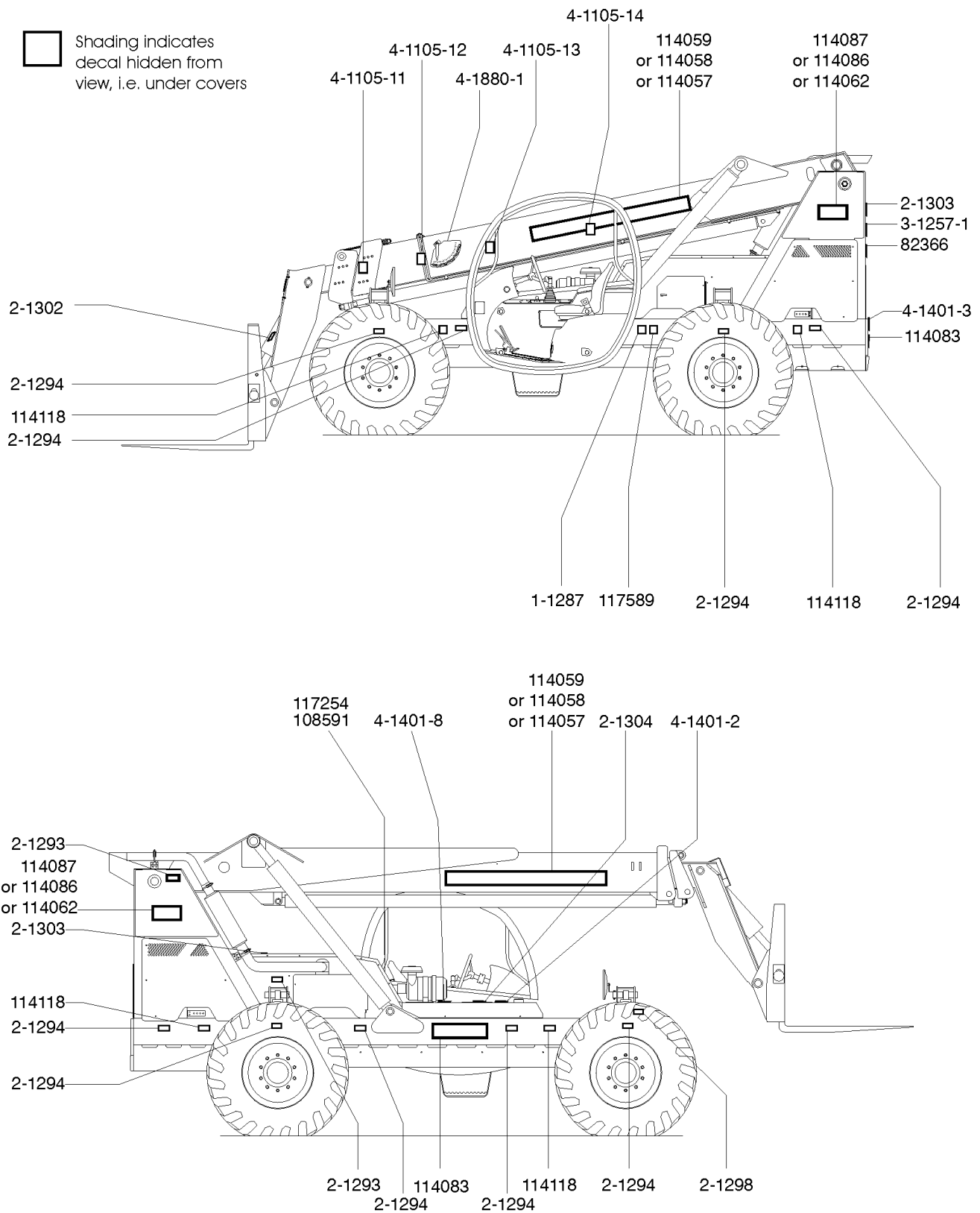
| Part Number | Description | Quantity | Price |
|-------------|-------------|----------|-------|
|             |             |          |       |
|             |             |          |       |
|             |             |          |       |
|             |             |          |       |
|             |             |          |       |
|             |             |          |       |
|             |             |          |       |
|             |             |          |       |
|             |             |          |       |
|             |             |          |       |
|             |             |          |       |
|             |             |          |       |
|             |             |          |       |
|             |             |          |       |
|             |             |          |       |
|             |             |          |       |
|             |             |          |       |
|             |             |          |       |
|             |             |          |       |
|             |             |          |       |
|             |             |          |       |
|             |             |          |       |
|             |             |          |       |
|             |             |          |       |

All back-ordered parts will be shipped when available via the same ship method as the original order unless Noted below:

- Ship complete order only - No back orders
- Ship all available parts and contact customer on disposition of back-ordered parts
- Other (please specify)



101.1 Decals, View 1

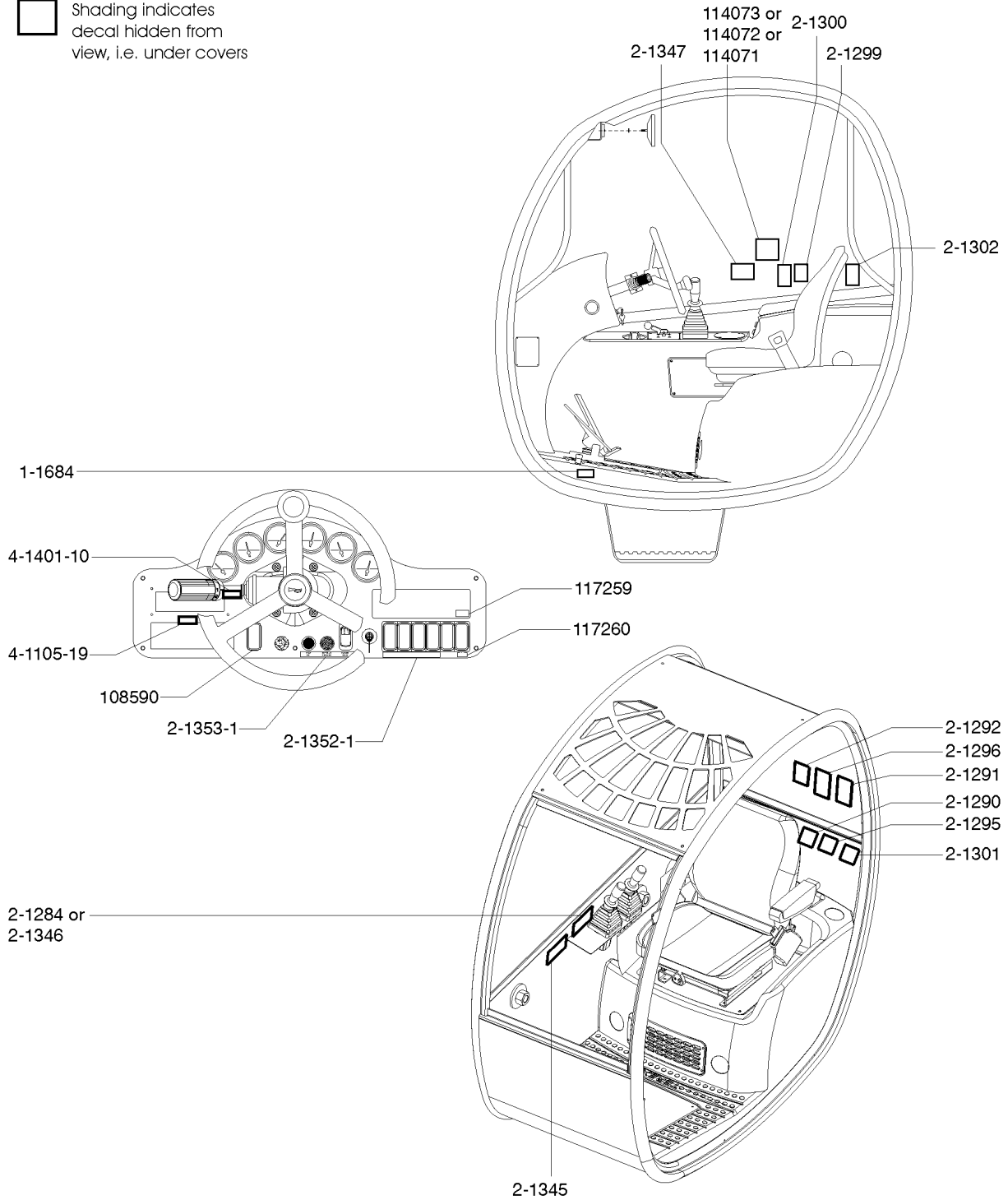


| Item | Part No.  | Description   | Qty. | Item | Part No. | Description                           | Qty. |
|------|-----------|---|------|------|----------|---------------------------------------|------|
| --   | 97494     | DECAL KIT,SAF/INST,644/842/844<br><i>includes items 2-4 and 10-24</i> |      | 24   | 108591   | DECAL, DANGER, STARTING<br>FLUID..... | 1    |
| 1A   | 114087    | DECAL,COSMETIC,GTH 644<br>SMALL.....                                  | 2    |      |          |                                       |      |
| 1B   | 114086    | DECAL,COSMETIC,GTH 842<br>SMALL.....                                  | 2    |      |          |                                       |      |
| 1C   | 114062    | DECAL,COSMETIC,GTH844<br>SMALL.....                                   | 2    |      |          |                                       |      |
| 2    | 4-1401-2  | DECAL, DIESEL FUEL.....   | 1    |      |          |                                       |      |
| 3    | 4-1401-3  | DECAL, HYD OIL LEVEL.....   | 1    |      |          |                                       |      |
| 4    | 4-1401-8  | DECAL, TRANSMISSION OIL.....  | 1    |      |          |                                       |      |
| 5    | 4-1105-11 | DECAL, A, WHITE.....  | 1    |      |          |                                       |      |
| 6    | 4-1105-12 | DECAL, B, WHITE.....  | 1    |      |          |                                       |      |
| 7    | 4-1105-13 | DECAL, C, WHITE.....  | 1    |      |          |                                       |      |
| 8    | 4-1105-14 | DECAL, D, WHITE.....  | 1    |      |          |                                       |      |
| 9A   | 114059    | DECAL,COSMETIC,GENIE<br>GTH-644.....                                  | 2    |      |          |                                       |      |
| 9B   | 114058    | DECAL,COSMETIC,GENIE<br>GTH-842.....                                  | 2    |      |          |                                       |      |
| 9C   | 114057    | DECAL,COSMETIC,GENIE<br>GTH-844.....                                  | 2    |      |          |                                       |      |
| 10   | 3-1257-1  | DECAL, HYDRAULIC OIL ONLY!.....                                       | 1    |      |          |                                       |      |
| 11   | 2-1293    | DECAL, BURN HAZARD.....   | 2    |      |          |                                       |      |
| 12   | 2-1294    | DECAL, CRUSH HAZARD,<br>PINCH.....                                    | 9    |      |          |                                       |      |
| 13   | 114118    | DECAL,WARN,OVERTURNING<br>HAZ.....                                    | 4    |      |          |                                       |      |
| 14   | 2-1298    | DECAL, OVERHEAD CRUSH<br>HAZARD.....                                  | 1    |      |          |                                       |      |
| 15   | 2-1302    | DECAL, NOT A MAN LIFT.....  | 2    |      |          |                                       |      |
| 16   | 2-1303    | DECAL, EXPLOSION HAZARD,<br>FLU.....                                  | 2    |      |          |                                       |      |
| 17   | 2-1304    | DECAL, EXPLOSION, BURN HAZ,<br>AC.....                                | 1    |      |          |                                       |      |
| 18   | 117589    | DECAL,FLT<br>GUIDE,PRKNS,JD,DEUTZ.....                                | 1    |      |          |                                       |      |
| 19   | 4-1880-1  | DECAL, BOOM ANGLE.....  | 1    |      |          |                                       |      |
| 20   | 82366     | DECAL,CHEVRON RANDO HD.....   | 1    |      |          |                                       |      |
| 21   | 1-1287    | DECAL, DAILY CHECK LIST.....  | 1    |      |          |                                       |      |
| 22   | 114083    | DECAL,COSMETIC,GENIE<br>(GTH).....                                    | 2    |      |          |                                       |      |
| 23   | 117254    | DECAL,DANGER,NO STARTING<br>FLUID.....                                | 1    |      |          |                                       |      |



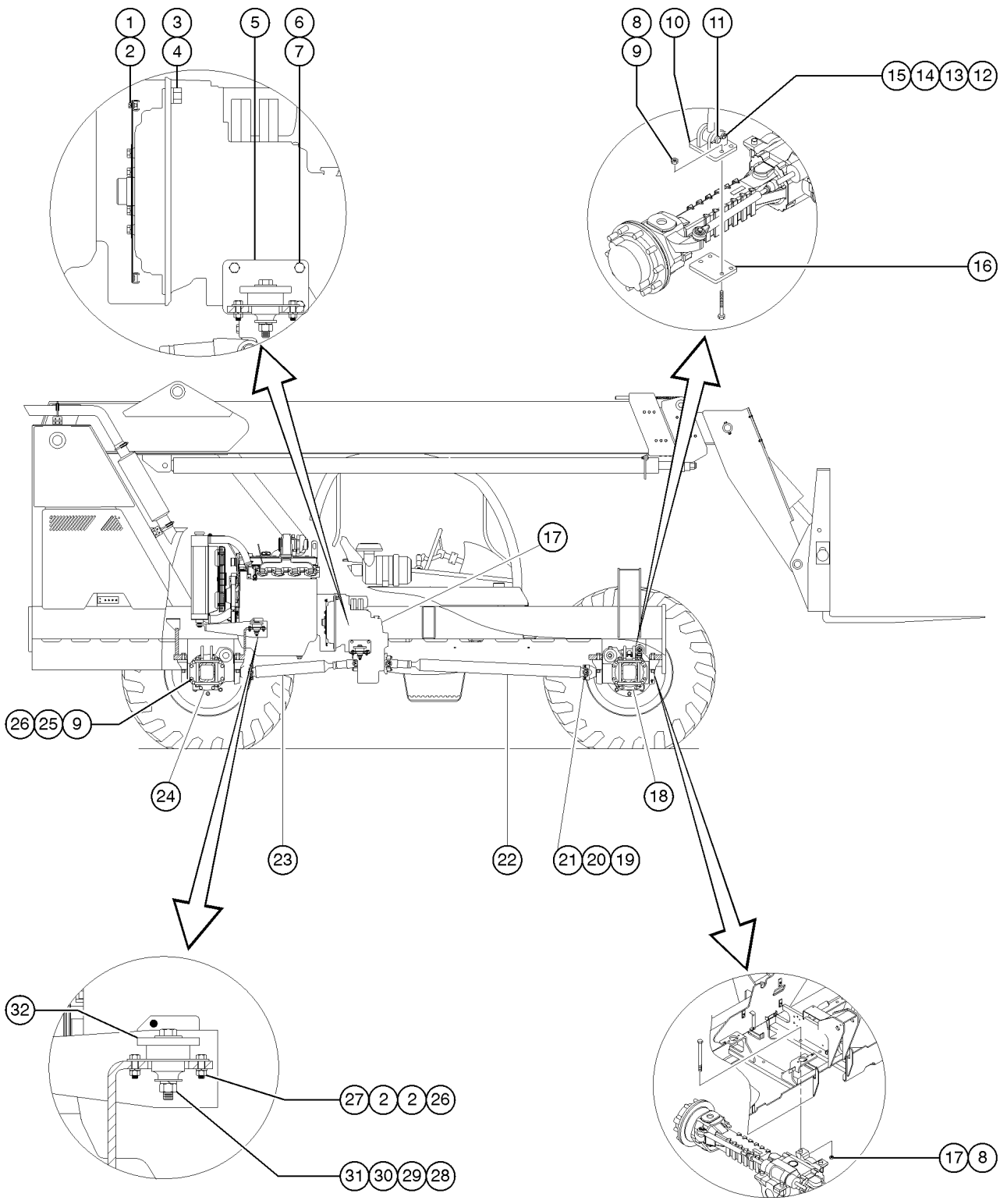
102.1 Decals, View 2

☐ Shading indicates decal hidden from view, i.e. under covers



| Item | Part No.  | Description                           | Qty. |
|------|-----------|---------------------------------------|------|
| 1A   | 114073    | DECAL,LOAD CHART,GTH-644.....1        |      |
| 1B   | 114072    | DECAL,LOAD CHART,GTH-842.....1        |      |
| 1C   | 114071    | DECAL,LOAD CHART,GTH-844              |      |
| 2    | 2-1345    | DECAL, STEERING SELECTOR.....1        |      |
| 3A   | 2-1346    | DECAL, 4WAY CONTROLLER.....1          |      |
| 3B   | 2-1284    | DECAL,DUAL CONTROLLER.....1           |      |
| 4    | 4-1401-10 | DECAL, TRANSMISSION<br>CONTROL.....1  |      |
| 5    | 4-1105-19 | DECAL, REAR AXLE<br>STABILIZER.....1  |      |
| 6    | 2-1290    | DECAL, FALLING OBJECT<br>HAZARD.....1 |      |
| 7    | 2-1291    | DECAL, ALWAYS USE SEAT<br>BELT.....1  |      |
| 8    | 2-1292    | DECAL, READ OPERATORS<br>MANUAL.....1 |      |
| 9    | 2-1295    | DECAL, OVERTURNING<br>HAZARD.....1    |      |
| 10   | 2-1296    | DECAL, OVERTURNING<br>HAZARD.....1    |      |
| 11   | 2-1299    | DECAL, CRUSH HAZARD, PARK<br>BR.....1 |      |
| 12   | 2-1300    | DECAL, CRUSH HAZARD, NO<br>RIDE.....1 |      |
| 13   | 2-1301    | DECAL, ELECTRICAL HAZARD.....1        |      |
| 14   | 2-1302    | DECAL, NOT A MAN LIFT.....2           |      |
| 15   | 2-1352-1  | DECAL,DASH GANG SWITCHES...1          |      |
| 16   | 2-1347    | DECAL, SWAY.....1                     |      |
| 17   | 2-1353-1  | DECAL,PB,WARNING LT &<br>PUMP.....1   |      |
| 18   | 1-1684    | DECAL, AXLE DIFFERENTIAL<br>LO.....1  |      |
| 19   | 117259    | DECAL,GLOW PLUG TIME.....1            |      |
| 20   | 117260    | DECAL,GLOW PLUGS.....1                |      |
| 21   | 108590    | DECAL, INTAKE AIR HEATER.....1        |      |

201.1 Power Train Assembly, JD-4045 Tier II

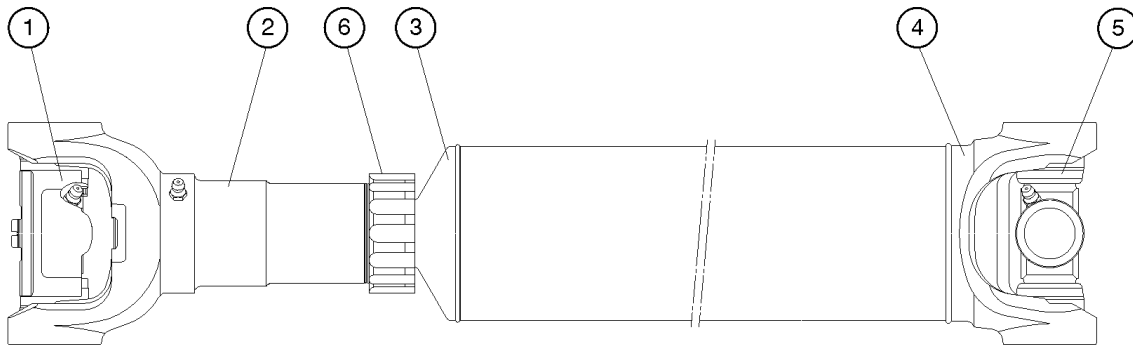


201.1 Power Train Assembly, JD-4045 Tier II

| Item | Part No.  | Description   | Qty. | Item | Part No. | Description                     | Qty. |
|------|-----------|---|------|------|----------|---------------------------------|------|
| --   |           | Ref. ENGINE AND PUMP ASSEMBLY<br><i>(refer to 301.1)</i>  |      | 31   | 53909    | SCREW,HHC,5/8-11 X 4.0 GR8..... | 4    |
|      |           |   |      | 32   | 7-326-02 | ISO MOUNTS.....                 | 4    |
| 1    | 6-5306-14 | SCREW,3/8NF 1 3/4.....  | 8    |      |          |                                 |      |
| 2    | 6021      | WASHER,LOCK,.375.....   | 16   |      |          |                                 |      |
| 3    | 6-8510-40 | CAPSCREW / HEX HEAD.....  | 11   |      |          |                                 |      |
| 4    | 6-9111-10 | LOCKWASHER,10MM.....  | 11   |      |          |                                 |      |
| 5A   | 3-1360-1  | TRANSMISSION MOUNT / LH.....<br><i>(exhaust side, John Deere and Deutz)</i>                             | 1    |      |          |                                 |      |
| 5B   | 3-1360-2  | TRANSMISSION MOUNT / RH<br><i>(cab side, John Deere and Deutz)</i>                                      |      |      |          |                                 |      |
| 6    | 6-8112-35 | SCREW,12MM X 1.75X35MM.....   | 5    |      |          |                                 |      |
| 7    | 49409     | WASHER,LOCK,M12.....  | 5    |      |          |                                 |      |
| 8    | 77051     | NUT,NYLOCK,3/4-10,GRD.8.....  | 24   |      |          |                                 |      |
| 9    | 108674    | SCREW,HHC,3/4-10X9.0,GR8.....   | 24   |      |          |                                 |      |
| 10   | 108491    | WELDMENT,SWAY CYL MOUNT....   | 4    |      |          |                                 |      |
| 11   | 5-2041-22 | PIN,ONE THRU HOLE.....  | 4    |      |          |                                 |      |
| 12   | 13918     | SCREW,HHC,3/8-16 X<br>1.75,GRD.8.....   | 4    |      |          |                                 |      |
| 13   | 45226     | ROD END,.375 X 3.69.....  | 4    |      |          |                                 |      |
| 14   | 6097      | WASHER,FLAT,USS,3/8",Y  |      |      |          |                                 |      |
| 15   | 4828      | NUT,NYLOCK,3/8-16   |      |      |          |                                 |      |
| 16   | 108489    | PLATE,BASE SWAY MOUNT.....  | 4    |      |          |                                 |      |
| 17   | 6-5212-48 | SCREW,3/4-10X6.....   | 8    |      |          |                                 |      |
| 18   | 108654    | AXLE ASSEMBLY,FRONT.....  | 1    |      |          |                                 |      |
| 19   | 7-229-896 | BOLT/3/8 UNF-2AX3/4 LG.....   | 8    |      |          |                                 |      |
| 20   | 6097      | WASHER,FLAT,USS,3/8",Y  |      |      |          |                                 |      |
| 21   | 123577    | STRAP KIT,DRIVESHAFT,1480.....<br><i>required for installation of the<br/>driveshafts</i>               | 2    |      |          |                                 |      |
| 22   |           | Ref. DRIVE SHAFT, FRONT<br><i>(refer to 202.1) needs two quantity of<br/>123577 strap kit (item 21)</i> |      |      |          |                                 |      |
| 23   |           | Ref. DRIVE SHAFT, REAR<br><i>(refer to 202.1) needs two quantity of<br/>123577 strap kit (item 21)</i>  |      |      |          |                                 |      |
| 24   | 108498    | AXLE ASSEMBLY,REAR.....   | 1    |      |          |                                 |      |
| 25   | 34550     | WASHER,LOCK,.75 PLTD.....   | 24   |      |          |                                 |      |
| 26   | 6-6201-06 | NUT,HEX,3/8-16  |      |      |          |                                 |      |
| 27   | 123559    | SCREW,HHC,3/8-16X1.25GR8  |      |      |          |                                 |      |
| 28   | 6-6201-10 | NUT,HEX,5/8NC.....  | 4    |      |          |                                 |      |
| 29   | 6-6211-10 | WASHER,LOCK,.625 PLTD.....  | 4    |      |          |                                 |      |
| 30   | 6-6212-10 | WASHER,FLAT,.625,<br>HARDENED.....  | 4    |      |          |                                 |      |



202.1 Drive Shaft Assembly, Front & Rear

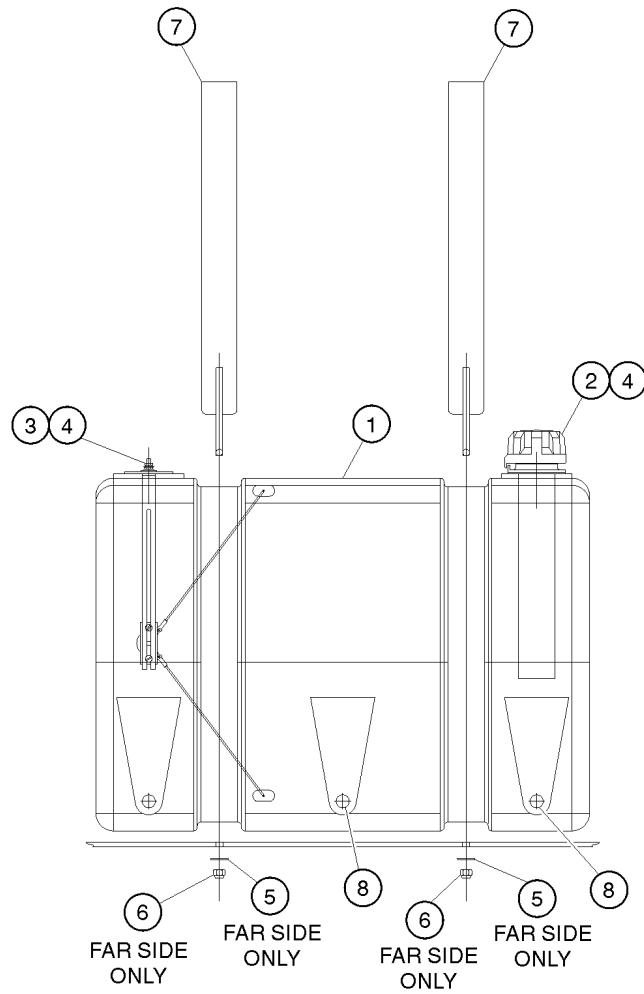




202.1 Drive Shaft Assembly, Front & Rear

| Item | Part No.  | Description  | Qty. |
|------|-----------|--|------|
| --   | 108496    | DRIVESHAFT,FRONT,TH644/8XX<br><i>includes items 1-6, needs 2 quantity of 123577 to attach</i>        |      |
| --   | 123577    | STRAP KIT,DRIVESHAFT,1480<br><i>required for installation of driveshafts</i>                         |      |
| --   | 7-229-888 | DRIVE SHAFT ASSY, REAR<br>(SHORT)<br><i>includes items 1-6, needs 2 quantity of 123577 to attach</i> |      |
| 1    | 7-229-897 | CROSS AND BEARING.....1<br><i>fasteners included</i>   | 1    |
| 2    | 7-229-898 | SLIP YOKE.....1  | 1    |
| 3    | 7-229-899 | Slip Stub.....1  | 1    |
| 4    | 7-229-900 | WELD YOKE.....1  | 1    |
| 5    | 7-229-901 | CROSS AND BEARING.....1  | 1    |
| 6    | 7-229-902 | SEAL/DUST CAP.....1  | 1    |

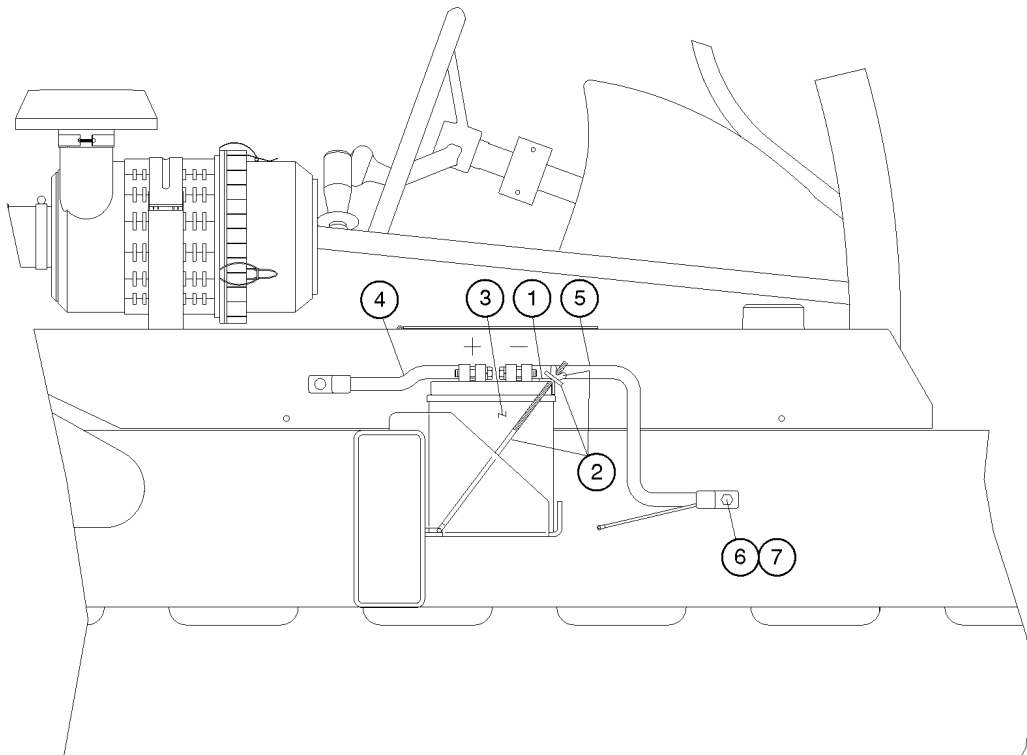
203.1 Fuel Tank Assembly



## 203.1 Fuel Tank Assembly

| Item | Part No. | Description   | Qty. |
|------|----------|---|------|
| 1    | 123114   | TANK,FUEL,30GAL.....                                    | 1    |
| --   | 123596   | SERVICE KIT,FUEL TANK,8K OLD<br>w/ HARDWARE             |      |
| --   | 7-121-02 | FITTING, 90, 3/8 HOSE                                   |      |
| 2    | 123147   | FILLER CAP, FUEL, BREATHER.....                         | 1    |
| 3    | 123151   | FUEL SENDER.....  | 1    |
| 4    | 49819    | SCREW,PHILLIPS,PHM,10-32 X<br>.5.....                   | 11   |
| 5    | 19934    | WASHER,3/8<br>HARD.STEEL-FLAT,USS.....                  | 2    |
| 6    | 4828     | NUT,NYLOCK,3/8-16.....                                  | 2    |
| 7    | 3-1390   | MOUNTING STRAP,FUEL TANK.....                           | 2    |
| 8    | 7-121-01 | BUSHING, RUBBER<br><i>John Deere models</i>             |      |
| --   | 7-121-07 | BUSHING,RUBBER,LARGE<br><i>Perkins and Deutz models</i> |      |

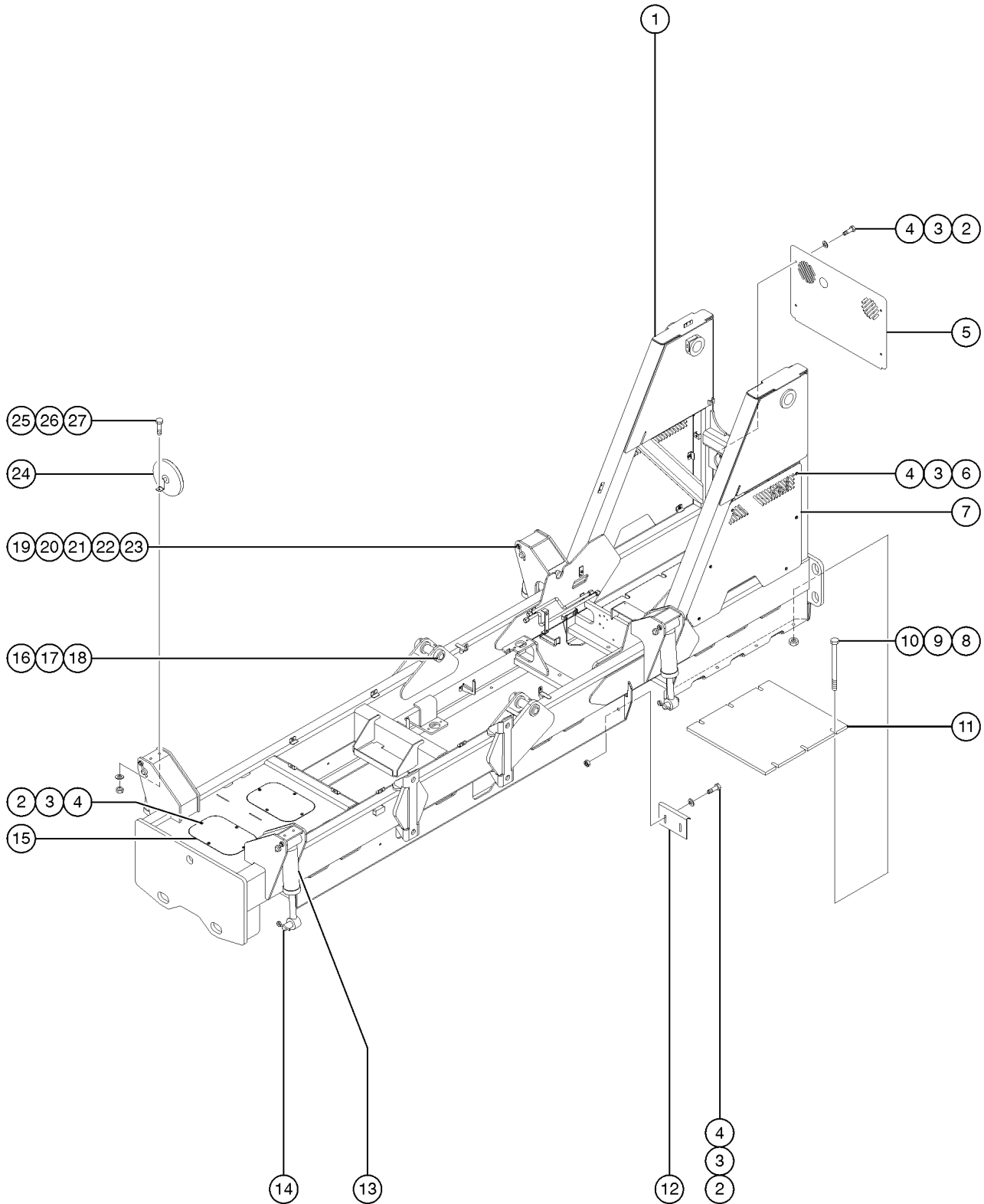
204.1 Battery Box Assembly



204.1 Battery Box Assembly

| Item | Part No.    | Description   | Qty. |
|------|-------------|---|------|
| 1    | 123149      | FORMING,BATTERY<br>HOLDDOWN.....                                | 1    |
| 2    | 123150      | HOOK, BATTERY HOLD DOWN....                                     | 2    |
| 3    | 30143       | BATTERY,12V,1000 CCA GRP<br>31.....<br><i>(replaced 123193)</i> | 1    |
| 4    | 6-7801-132B | BATTERY CABLE (RED).....  | 1    |
| 5    | 6-7802-88B  | BATTERY CABLE (BLK).....  | 1    |
| 6    | 6-5208-08   | SCREW,HHC,1/2-13X1.00,GR8.....                                  | 1    |
| 7    | 6033        | WASHER,LOCK,0.5".....   | 1    |

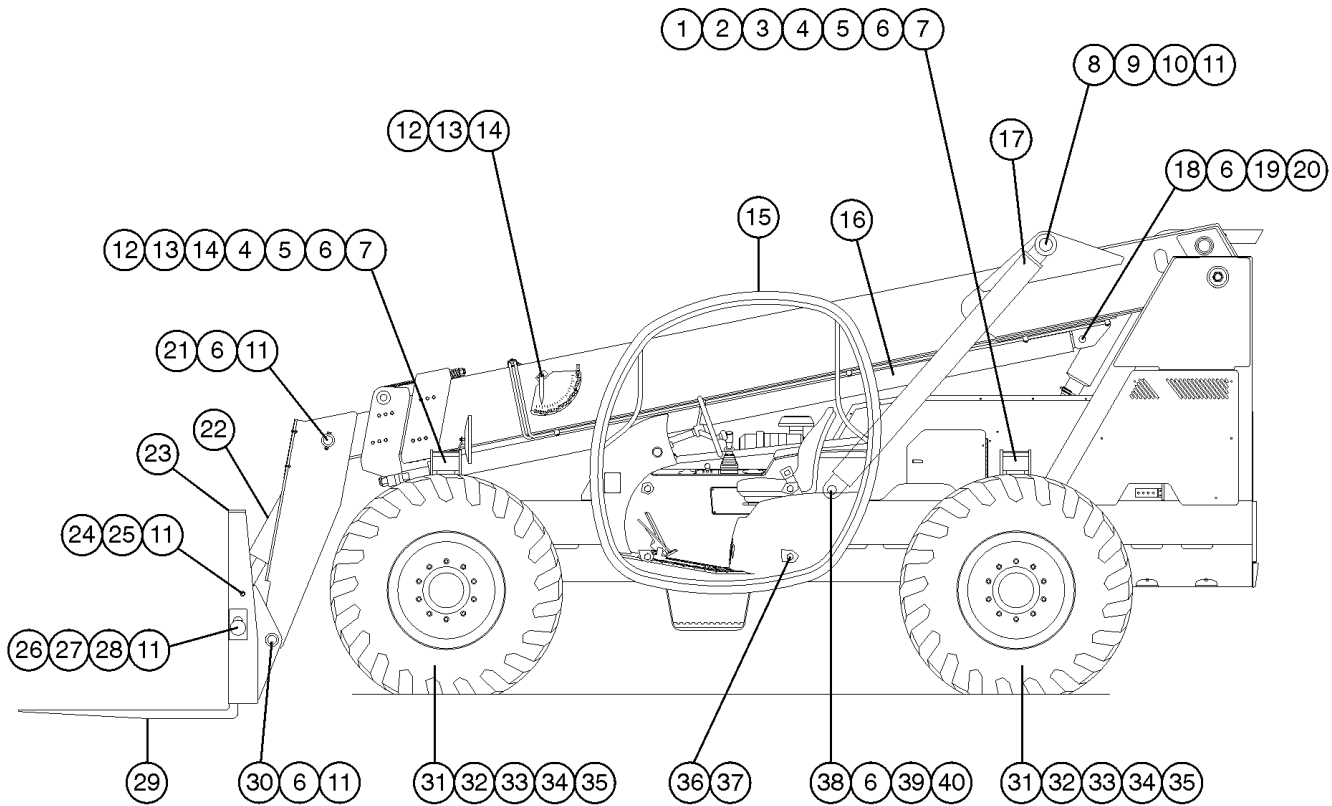
205.1 General Assembly, View 1



## 205.1 General Assembly, View 1

| Item | Part No.  | Description  | Qty. |
|------|-----------|--|------|
| 1    | 141922    | WLDMT,CHASSIS,STC III ISO<br>MNT.....1<br><i>(direct replacement for 117053 which<br/>replaced 108460)</i> | 1    |
| 2    | 6-5204-06 | SCREW,HHC,1/4-20X.75,GR8.....  | 20   |
| 3    | 6-6212-04 | WASHER,FLAT,.250,<br>HARDENED.....   | 28   |
| 4    | 56912     | SPRING<br>CLIP,1/4-20,.025-.15X.5.....   | 28   |
| 5    | 108478    | PLATE,TOWER COVER,REAR.....  | 1    |
| 6    | 6-5204-08 | SCREW,HHC,1/4-20X1,GR8.....  | 12   |
| 7    | 108477    | PLATE,TOWER COVER,SIDE.....  | 2    |
| 8    | 6-5212-48 | SCREW,3/4-10X6.....  | 6    |
| 9    | 74323     | WASHER,FLAT,.812X2X.14<br>HARDEN.....  | 6    |
| 10   | 77051     | NUT,NYLOCK,3/4-10,GRD.8.....   | 6    |
| 11   | 5-2070    | COUNTERWEIGHT,CAST.....  | 5    |
| 12   | 108576    | FORMING,HOSE GUIDE.....  | 2    |
| 13   |           | Ref. SWAY CYLINDER<br><i>(refer to 906.1)</i>  |      |
| 14   | 117923    | PIN,1.50 DIA X 5.13,NOTCHED.....   | 4    |
| 15   | 108479    | PLATE, FRONT CHASSIS<br>COVER.....   | 2    |
| 16   | 6-5208-30 | SCREW,HHC,1/2-13X3.75,GR8.....   | 2    |
| 17   | 5-2041-31 | PIN,2.00DIA X 7.63,ONE HOLE.....   | 2    |
| 18   | 6198      | NUT,NYLOCK,1/2-13.....   | 2    |
| 19   | 13918     | SCREW,HHC,3/8-16 X<br>1.75,GRD.8.....  | 4    |
| 20   | 45226     | ROD END,.375 X 3.69.....   | 8    |
| 21   | 5-2041-11 | PIN,1.50 DIA X 7.95 LG,1 HOLE....  | 4    |
| 22   | 19934     | WASHER,3/8<br>HARD.STEEL-FLAT,USS.....   | 10   |
| 23   | 6-6205-06 | NUT,NYLOCK,3/8-16.....   | 8    |
| 24   | 123142    | MIRROR,8 1/2,CONVEX.....   | 1    |
| 25   | 77692     | SCREW,HHC,3/8-16 X 1 GRD 8.....  | 1    |
| 26   | 19934     | WASHER,3/8<br>HARD.STEEL-FLAT,USS.....   | 1    |
| 27   | 7713      | NUT,LP NYLOCK,3/8-16.....  | 1    |

206.1 General Assembly, View 2





206.1 General Assembly, View 2

| Item | Part No.  | Description   | Qty. | Item | Part No.  | Description   | Qty. |
|------|-----------|---|------|------|-----------|---|------|
| 1    |           | Ref. CYLINDER, REAR LOCK<br><i>(refer to 906.1)</i>   |      | --   | 4-1526    | FORK FRAME, 60" NONROT PIN 844<br><i>(from SNs TH0606A-8418 &amp; TH0606B-6271 (644 MODELS) TH0806A-8454 &amp; TH0806B-6958 (842 MODELS) TH0806A-8454 &amp; TH0606B-6956 (842 MODELS), specify Genie Gray) (before these serial numbers, specify Basalt Gray)</i> |      |
| 2    |           | Ref. PIN, HEAD SWAY CYLINDER<br><i>(refer to 205.1)</i>   |      | --   | 4-1527    | FORK FRAME, 72" NONROT PIN 844<br><i>(from SNs TH0606A-8418 &amp; TH0606B-6271 (644 MODELS) TH0806A-8454 &amp; TH0806B-6958 (842 MODELS) TH0806A-8454 &amp; TH0606B-6956 (842 MODELS), specify Genie Gray) (before these serial numbers, specify Basalt Gray)</i> |      |
| 3    |           | Ref. PIN, BASE SWAY CYLINDER<br><i>(refer to 205.1)</i>   |      | 24   | 5-2041-21 | PIN,2.00 DIA X 8.13,ONE HOLE.....1  |      |
| 4    | 13918     | SCREW,HHC,3/8-16 X 1.75,GRD.8.....8   |      | 25   | 6-5208-30 | SCREW,HHC,1/2-13X3.75,GR8.....5   |      |
| 5    | 19934     | WASHER,3/8 HARD.STEEL-FLAT,USS.....10   |      | 26   |           | Ref. PIN, FORK TINE<br><i>(refer to 1006.1)</i>   |      |
| 6    | 4828      | NUT,NYLOCK,3/8-16.....9   |      | 27   |           | Ref. COLLAR, FORK TINE PIN<br><i>(refer to 1006.1)</i>  |      |
| 7    | 45226     | ROD END,.375 X 3.69.....8   |      | 28   | 13854     | SCREW,HHC,1/2-13 X 4.5,GRD 8...1  |      |
| 8    | 117926    | PIN,2.50 DIA X 39.38,2 HOLE.....1   |      | 29A  | 108827    | WELDMENT,FORK TINE,48"***<br><i>(replaced 3-1393-10)</i>  |      |
| 9    | 6-2524-10 | COLLAR.....2  |      | 29B  | 108828    | WELDMENT,FORK TINE,60"  |      |
| 10   | 22786     | SCREW,HHC,1/2-13 X 5.5.....2  |      | 29C  | 108829    | WELDMENT,FORK TINE,72"<br><i>(replaced 3-1391-72)</i>   |      |
| 11   | 6198      | NUT,NYLOCK,1/2-13.....6   |      | 30   |           | Ref. PIN, FORK FRAME<br><i>(refer to 1006.1)</i>  |      |
| 12   | 5-2131    | PLATE,ANGLE INDICATOR.....1   |      | 31A  | 7-166-19  | TIRE,CHLORIDE,RIGHT,1400X24<br><i>(exhaust side)</i>  |      |
| 13   | 47094     | SCREW,HHC,5/16-18 X .50.....1   |      | --   | 123232    | TIRE,14.00 X 24 G3000 10K,12PR<br><i>(replaced 123570)</i>  |      |
| 14   | 5397      | WASHER,FLAT,USS,5/16",Y.....1   |      | --   | 130312    | WHEEL,9.5MM RIMSHHELL   |      |
| 15   |           | Ref. CAB<br><i>(refer to 601.1, 602.1, and 603.1)</i>   |      | --   | 7-229-830 | WHEEL NUT   |      |
| 16   |           | Ref. BOOM CYLINDER<br><i>(refer to 904.1, GTH-644 and GTH-844 or 905.1, GTH-842)</i>  |      | 31B  | 7-166-20  | TIRE,CHLORIDE,LEFT,1400X24<br><i>(cab side)</i>   |      |
| 17   |           | Ref. LIFT CYLINDER<br><i>(refer to 901.1, GTH-844 or 902.1, GTH-644 and GTH-842)</i>  |      | --   | 123232    | TIRE,14.00 X 24 G3000 10K,12PR<br><i>(replaced 123570)</i>  |      |
| 18   | 5-2041-25 | PIN,1.50 DIA X 5.38,ONE HOLE.....1  |      | --   | 130312    | WHEEL,9.5MM RIMSHHELL   |      |
| 19   | 5224      | SCREW,HHC,3/8-16 X 2.....1  |      | --   | 7-229-830 | WHEEL NUT   |      |
| 20   | 104328    | NUT,HEX,1/2-13 GRD 8.....2  |      | 31C  | 7-166-18  | TIRE,CHLORIDE,LEFT,1300X24<br><i>(exhaust side)</i>   |      |
| 21   | 141950    | PIN,2.00DIA X 13.13,TAPPED,NIT.....1  |      | --   | 130312    | WHEEL,9.5MM RIMSHHELL   |      |
| 22   |           | Ref. TILT CYLINDER<br><i>(refer to 903.1)</i>   |      | --   | 7-229-830 | WHEEL NUT   |      |
| 23   | 4-1525    | FORK FRAME, 48" NONROT PIN 844<br><i>(from SNs TH0606A-8418 &amp; TH0606B-6271 (644 MODELS) TH0806A-8454 &amp; TH0806B-6958 (842 MODELS) TH0806A-8454 &amp; TH0606B-6956 (842 MODELS), specify Genie Gray) (before these serial numbers, specify Basalt Gray)</i> |      | --   | 7-166-06  | TIRE, 13.00 X 24 G3000  |      |

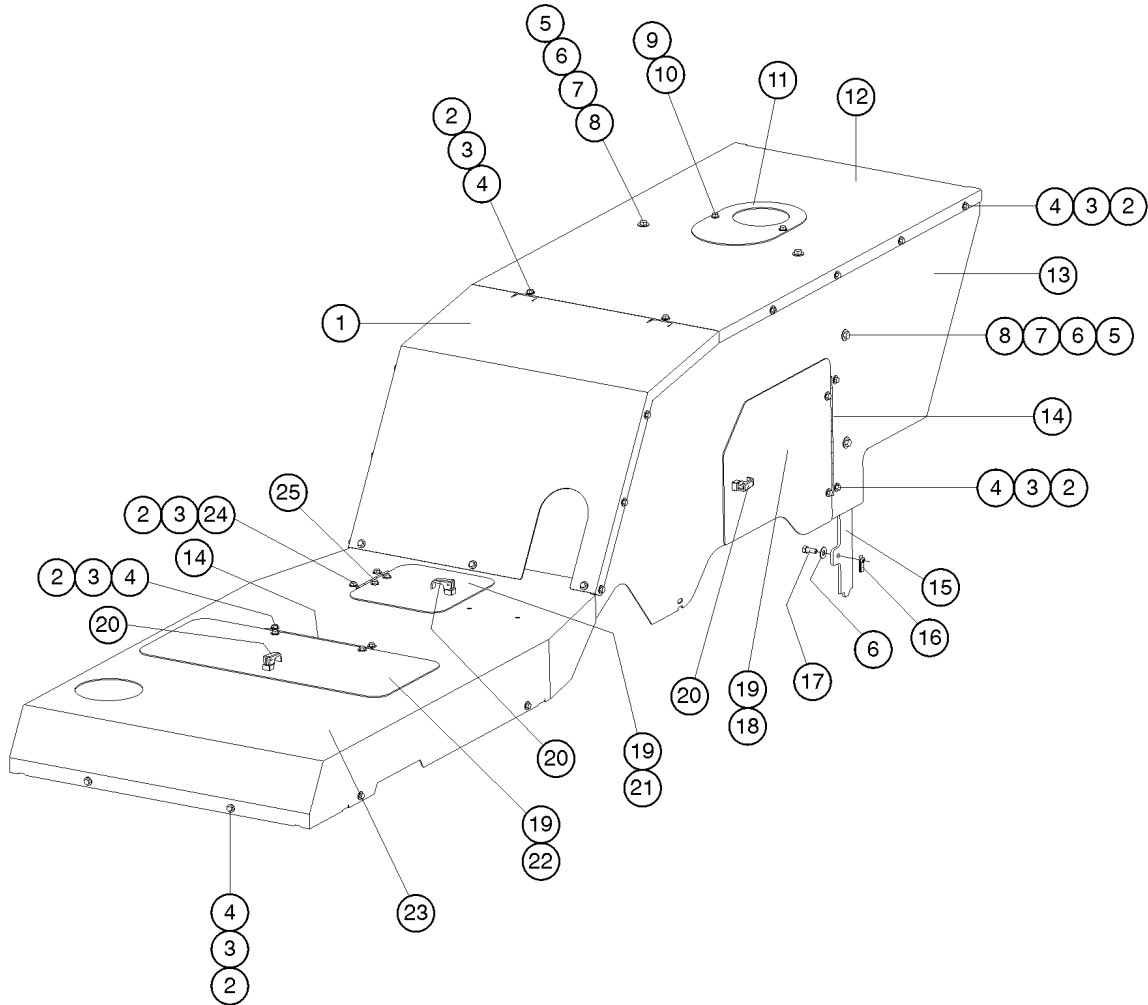


206.1 General Assembly, View 2  
(continued)

| Item | Part No.  | Description  | Qty. | Item | Part No.  | Description  | Qty. |
|------|-----------|--|------|------|-----------|--|------|
| --   | 7-229-830 | WHEEL NUT  |      | 34A  | 7-128-15  | TIRE,ROCKLUG,FOAM,RH,1400<br>( <i>exhaust side</i> ) |      |
| 31D  | 7-166-17  | TIRE,CHLORIDE,RIGHT,1300X24<br>( <i>cab side</i> )           |      | --   | 130312    | WHEEL,9.5MM RIMSHELL                                 |      |
| --   | 130312    | WHEEL,9.5MM RIMSHELL   |      | --   | 7-128-02  | TIRE,TITAN E-3/L3-3 1400X24                          |      |
| --   | 7-166-06  | TIRE, 13.00 X 24 G3000                                       |      | --   | 7-229-830 | WHEEL NUT  |      |
| --   | 7-229-830 | WHEEL NUT  |      | 34B  | 7-128-16  | TIRE,ROCKLUG,FOAM,LH,1400<br>( <i>cab side</i> )     |      |
| 32A  | 7-128-11  | TIRE,ROCKLUG,CHLORIDE,RH,1400<br>( <i>exhaust side</i> )     |      | --   | 130312    | WHEEL,9.5MM RIMSHELL                                 |      |
| --   | 130312    | WHEEL,9.5MM RIMSHELL   |      | --   | 7-128-02  | TIRE,TITAN E-3/L3-3 1400X24                          |      |
| --   | 7-128-02  | TIRE,TITAN E-3/L3-3 1400X24                                  |      | --   | 7-229-830 | WHEEL NUT  |      |
| --   | 7-229-830 | WHEEL NUT  |      | 34C  | 226606    | TIRE,ROCKLUG,FOAM,1300X24<br>( <i>both sides</i> )   |      |
| 32B  | 7-128-12  | TIRE,ROCKLUG,CHLORIDE,LH,1400*<br>( <i>cab side</i> )        |      | --   | 130312    | WHEEL,9.5MM RIMSHELL                                 |      |
| --   | 130312    | WHEEL,9.5MM RIMSHELL   |      | --   | 7-128-01  | TIRE,TITAN E-3/L3-3 1300X24                          |      |
| --   | 7-128-02  | TIRE,TITAN E-3/L3-3 1400X24                                  |      | --   | 7-229-830 | WHEEL NUT  |      |
| --   | 7-229-830 | WHEEL NUT  |      | 35   | 108097    | AIR<br>TIRES,13X24+COUNTERWEIGHT                     |      |
| 32C  | 229015    | TIRE ASSY,ROCK,CAL CHL,13 X 24<br>( <i>both sides</i> )      |      | --   | 130312    | WHEEL,9.5MM RIMSHELL                                 |      |
| --   | 130312    | WHEEL,9.5MM RIMSHELL   |      | --   | 7-166-07  | TIRE,AIR,RIGHT,1300X24                               |      |
| --   | 7-128-01  | TIRE,TITAN E-3/L3-3 1300X24                                  |      | --   | 7-166-08  | TIRE,AIR,LEFT,1300X24                                |      |
| --   | 7-229-830 | WHEEL NUT  |      | --   | 7-229-830 | WHEEL NUT  |      |
| 33A  | 7-166-25  | TIRE,FOAM,RIGHT,1400X24***<br>( <i>exhaust side</i> )        |      | 36   | 6-5220-20 | SCREW,HHC,1 1/4-7X2.5,GR8.....4                      |      |
| --   | 123232    | TIRE,14.00 X 24 G3000 10K,12PR<br>( <i>replaced 123570</i> ) |      | 37   | 6-6211-20 | WASHER,LOCK,1 1/4.....4                              |      |
| --   | 130312    | WHEEL,9.5MM RIMSHELL   |      | 38   |           | Ref. PIN, BASE CYLINDER<br>( <i>refer to 205.1</i> ) |      |
| --   | 7-229-830 | WHEEL NUT  |      | 39   | 104328    | NUT,HEX,1/2-13 GRD 8.....2                           |      |
| 33B  | 7-166-26  | TIRE,FOAM,LEFT,1400X24***<br>( <i>cab side</i> )             |      | 40   | 6033      | WASHER,LOCK,0.5".....2                               |      |
| --   | 123232    | TIRE,14.00 X 24 G3000 10K,12PR<br>( <i>replaced 123570</i> ) |      |      |           |  |      |
| --   | 130312    | WHEEL,9.5MM RIMSHELL   |      |      |           |  |      |
| --   | 7-229-830 | WHEEL NUT  |      |      |           |  |      |
| 33C  | 7-166-24  | TIRE,FOAM,LEFT,1300X24***<br>( <i>exhaust side</i> )         |      |      |           |  |      |
| --   | 130312    | WHEEL,9.5MM RIMSHELL   |      |      |           |  |      |
| --   | 7-166-06  | TIRE, 13.00 X 24 G3000                                       |      |      |           |  |      |
| --   | 7-229-830 | WHEEL NUT  |      |      |           |  |      |
| 33D  | 7-166-23  | TIRE,FOAM,RIGHT,1300X24***<br>( <i>cab side</i> )            |      |      |           |  |      |
| --   | 130312    | WHEEL,9.5MM RIMSHELL   |      |      |           |  |      |
| --   | 7-166-06  | TIRE, 13.00 X 24 G3000                                       |      |      |           |  |      |
| --   | 7-229-830 | WHEEL NUT  |      |      |           |  |      |

*This Page Intentionally Left Blank*

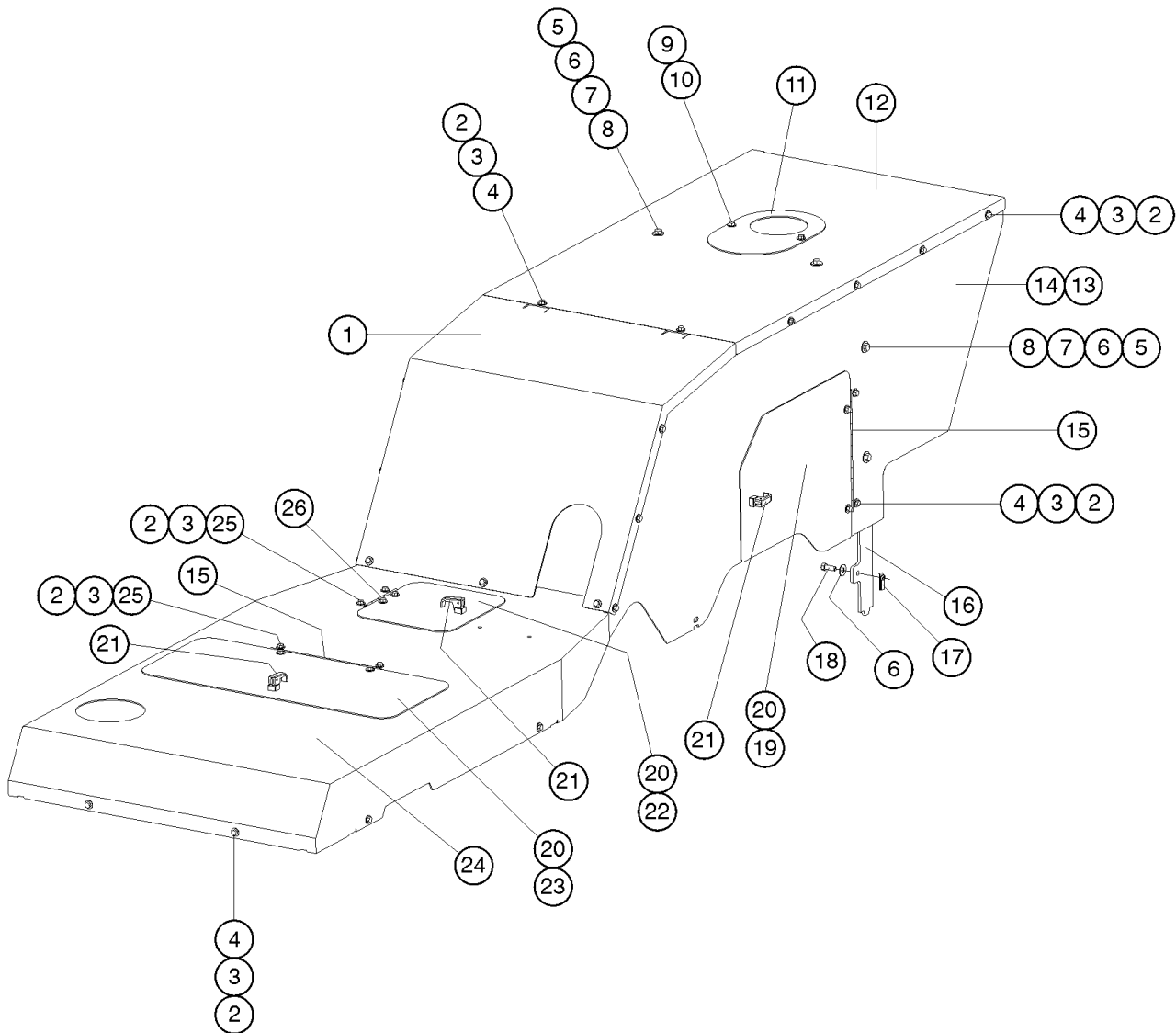
207.1 Engine Enclosure Assembly, JD-4045 Tier II (to serial number GTH0607B-6513, GTH0807B-7649 and GTH0807A-10364)



207.1 Engine Enclosure Assembly, JD-4045 Tier II (to serial number GTH0607B-6513,  
GTH0807B-7649 and GTH0807A-10364)

| Item | Part No.  | Description                            | Qty. |
|------|-----------|--|------|
| 1    | 130485    | KIT,MID ENGINE COVER.....              | 1    |
| 2    | 6-5204-06 | SCREW,HHC,1/4-20X.75,GR8.....          | 45   |
| 3    | 6-6212-04 | WASHER,FLAT,.250,<br>HARDENED.....     | 47   |
| 4    | 56912     | SPRING<br>CLIP,1/4-20,.025-.15X.5..... | 29   |
| 5    | 77692     | SCREW,HHC,3/8-16 X 1 GRD 8....         | 6    |
| 6    | 19934     | WASHER,3/8<br>HARD.STEEL-FLAT,USS..... | 9    |
| 7    | 108581    | SPRING CLIP,3/8-16 LG ZINC.....        | 6    |
| 8    | 7-173-11  | LOOP CLAMP,COATED, #44.....            | 2    |
| 9    | 8914      | SCREW,HHC,1/4-20 X .625.....           | 2    |
| 10   | 6889      | NUT,LP NYLOCK,1/4-20.....              | 2    |
| 11   | 108483    | PLATE,RADIATOR FILL COVER....          | 1    |
| 12   | 108480    | FORMING,ENGINE COVER, TOP....          | 1    |
| 13A  | 117150    | PLATE,EXHAUSE SIDE ENGINE....          | 1    |
| 13B  | 117151    | PLATE,SIDE ENG.NON<br>EXHAUST.....     | 1    |
| 14   | 123145    | HINGE,CONTROLS DOOR.....               | 2    |
| 15   | 117152    | FORMING,ENG COVER<br>SUPPORT.....      | 1    |
| 16   | 29868     | SPRING CLIP,3/8-16.....                | 3    |
| 17   | 123559    | SCREW,HHC,3/8-16X1.25GR8.....          | 3    |
| 18   | 108494    | PLATE,ENGINE ACCESS DOOR....           | 2    |
| 19   | 46716     | BUMPER, SNAP-IN.....                   | 14   |
| 20   | 7-195-01  | LATCH, COMPRESSION, SMALL...3          |      |
| 21   | 5-2001-9  | COVER,ENGINE ACCESS.....               | 1    |
| 22   | 5-2001-8  | COVER,BATTERY ACCESS.....              | 1    |
| 23   | 5-2067-12 | COVER,FRONT ENGINE.....                | 1    |
| 24   | 6091      | NUT,NYLOCK,1/4-20                      |      |
| 25   | 123556    | HINGE,ACCESS COVER.....                | 1    |

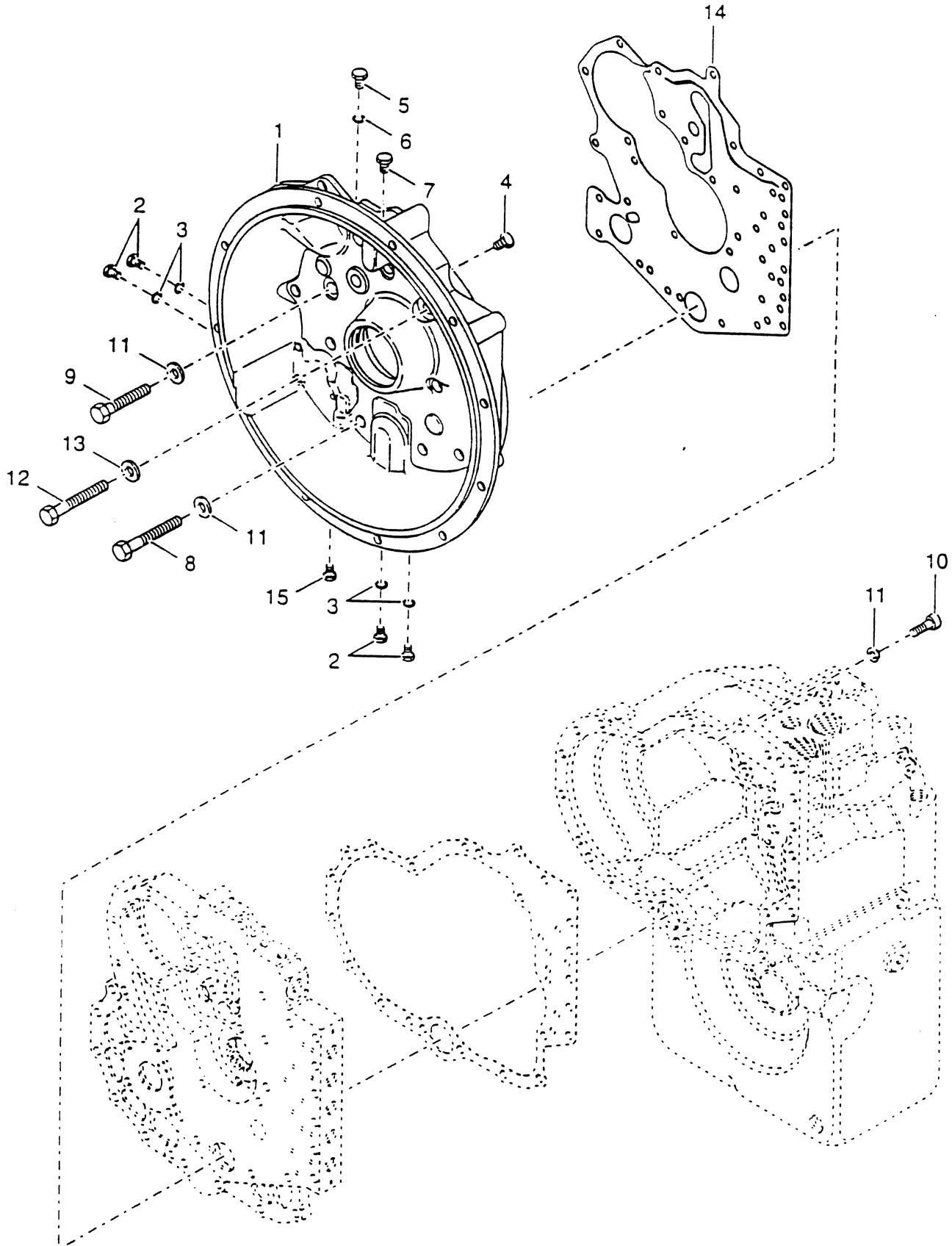
207.2 Engine Enclosure Assembly, Perkins 1104C (from serial number GTH0607B-6514, GTH0807B-7650 and GTH0807A-10365)



207.2 Engine Enclosure Assembly, Perkins 1104C (from serial number GTH0607B-6514,  
GTH0807B-7650 and GTH0807A-10365)

| Item | Part No.  | Description   | Qty. | Item | Part No. | Description             | Qty. |
|------|-----------|---|------|------|----------|-------------------------|------|
| 1    | 130485    | KIT,MID ENGINE COVER.....   | 1    | 25   | 6091     | NUT,NYLOCK,1/4-20.....  | 16   |
| 2    | 6-5204-06 | SCREW,HHC,1/4-20X.75,GR8.....   | 45   | 26   | 123556   | HINGE,ACCESS COVER..... | 1    |
| 3    | 6-6212-04 | WASHER,FLAT,.250,<br>HARDENED.....  | 47   |      |          |                         |      |
| 4    | 56912     | SPRING<br>CLIP,1/4-20,.025-.15X.5.....  | 29   |      |          |                         |      |
| 5    | 77692     | SCREW,HHC,3/8-16 X 1 GRD 8....  | 6    |      |          |                         |      |
| 6    | 6097      | WASHER,FLAT,USS,3/8",Y.....   | 6    |      |          |                         |      |
| 7    | 108581    | SPRING CLIP,3/8-16 LG ZINC.....   | 6    |      |          |                         |      |
| 8    | 7-173-11  | LOOP CLAMP,COATED, #44.....   | 2    |      |          |                         |      |
| 9    | 8914      | SCREW,HHC,1/4-20 X .625.....  | 2    |      |          |                         |      |
| 10   | 6889      | NUT,LP NYLOCK,1/4-20.....   | 2    |      |          |                         |      |
| 11   | 117513    | PLATE,RADIATOR FILL COVER....   | 1    |      |          |                         |      |
| 12   | 117149    | COVER,TOP ENGINE.....   | 1    |      |          |                         |      |
| 13A  | 117150    | PLATE,EXHAUSE SIDE ENGINE....<br><i>(to SN GTH0608A-12668 and<br/>GTH0808A-12664)</i>       | 1    |      |          |                         |      |
| 13B  | 130883    | PLATE,ENG COVER,EXHAUST SIDE<br><i>(from SN GTH0608A-12669 and<br/>GTH0808A-12665)</i>      |      |      |          |                         |      |
| 14A  | 117151    | PLATE,SIDE ENG.NON<br>EXHAUST.....<br><i>(to SN GTH0608A-12668 and<br/>GTH0808A-12664)</i>  | 1    |      |          |                         |      |
| 14B  | 130884    | PLATE,ENG COV,NON-EXHAUST<br>SIDE<br><i>(from SN GTH0608A-12669 and<br/>GTH0808A-12665)</i> |      |      |          |                         |      |
| 15   | 117539    | HINGE,BAT COV & ENG<br>ENCLOSURE.....   | 2    |      |          |                         |      |
| 16   | 117152    | FORMING,ENG COVER<br>SUPPORT.....   | 1    |      |          |                         |      |
| 17   | 29868     | SPRING CLIP,3/8-16.....   | 3    |      |          |                         |      |
| 18   | 123559    | SCREW,HHC,3/8-16X1.25GR8.....   | 3    |      |          |                         |      |
| 19A  | 108494    | PLATE,ENGINE ACCESS DOOR....<br><i>(to SN GTH0608A-12668 and<br/>GTH0808A-12664)</i>        | 1    |      |          |                         |      |
| 19B  | 130885    | PLATE,ENGINE COVER,DOOR<br><i>(from SN GTH0608A-12669 and<br/>GTH0808A-12665)</i>           |      |      |          |                         |      |
| 20   | 46716     | BUMPER, SNAP-IN.....  | 14   |      |          |                         |      |
| 21   | 7-195-01  | LATCH, COMPRESSION, SMALL...4   |      |      |          |                         |      |
| 22   | 5-2001-9  | COVER,ENGINE ACCESS.....  | 1    |      |          |                         |      |
| 23   | 5-2001-8  | COVER,BATTERY ACCESS.....   | 1    |      |          |                         |      |
| 24   | 5-2067-12 | COVER,FRONT ENGINE.....   | 1    |      |          |                         |      |

301.1 Transmission Converter Housing Assembly, T12000

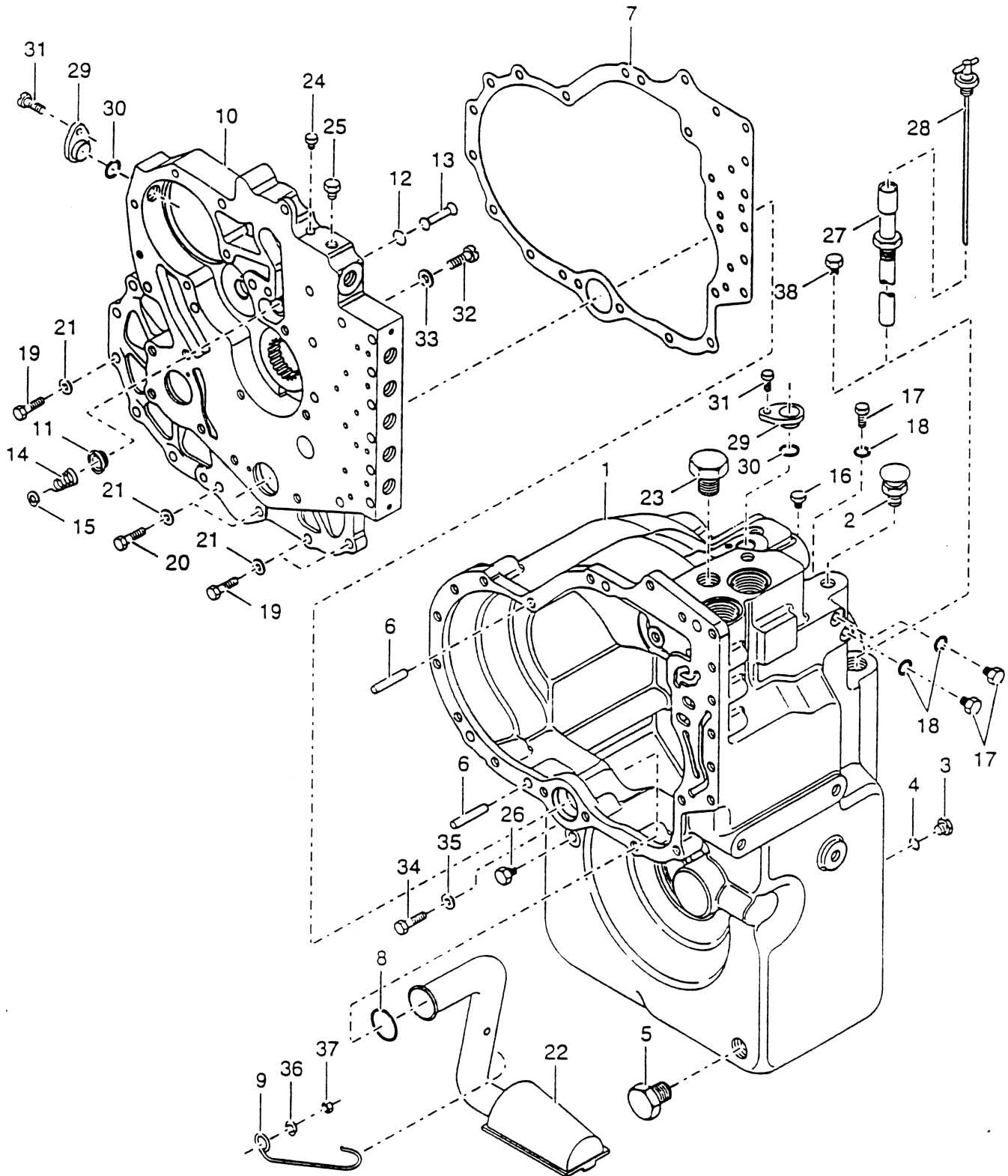




301.1 Transmission Converter Housing Assembly, T12000

| Item | Part No.  | Description                                     | Qty. |
|------|-----------|---|------|
| 1    | 7-126-684 | SEAL KIT,CHARGE PUMP.....                       | 1    |
| 2    | 7-126-92  | PLUG.....<br><i>(includes item 3)</i>           | 4    |
| 3    | 7-126-386 | O-RING.....                                     | 4    |
| 4    | 7-126-92  | PLUG.....                                       | 1    |
| 5    | 7-126-385 | PLUG.....<br><i>(includes item 6)</i>           | 1    |
| 6    | 7-126-386 | O-RING.....                                     | 1    |
| 7    | 7-126-04  | PIPE PLUG.....                                  | 1    |
| 8    | 7-126-388 | BOLT.....                                       | 6    |
| 9    | 7-126-389 | BOLT.....                                       | 3    |
| 10   |           | Ref. SCREW.....<br><i>(no longer available)</i> | 1    |
| 11   | 7-126-391 | LOCKWASHER.....                                 | 10   |
| 12   | 7-126-389 | BOLT.....                                       | 13   |
| 13   | 7-126-391 | LOCKWASHER.....                                 | 13   |
| 14   | 7-126-355 | HOUSING GASKET.....                             | 1    |
| 15   |           | Ref. WASHER<br><i>(not used on this model)</i>  |      |
| 16   | 7-126-688 | PLUG.....                                       | 1    |
| 17   |           | Ref. WASHER<br><i>(not used on this model)</i>  |      |

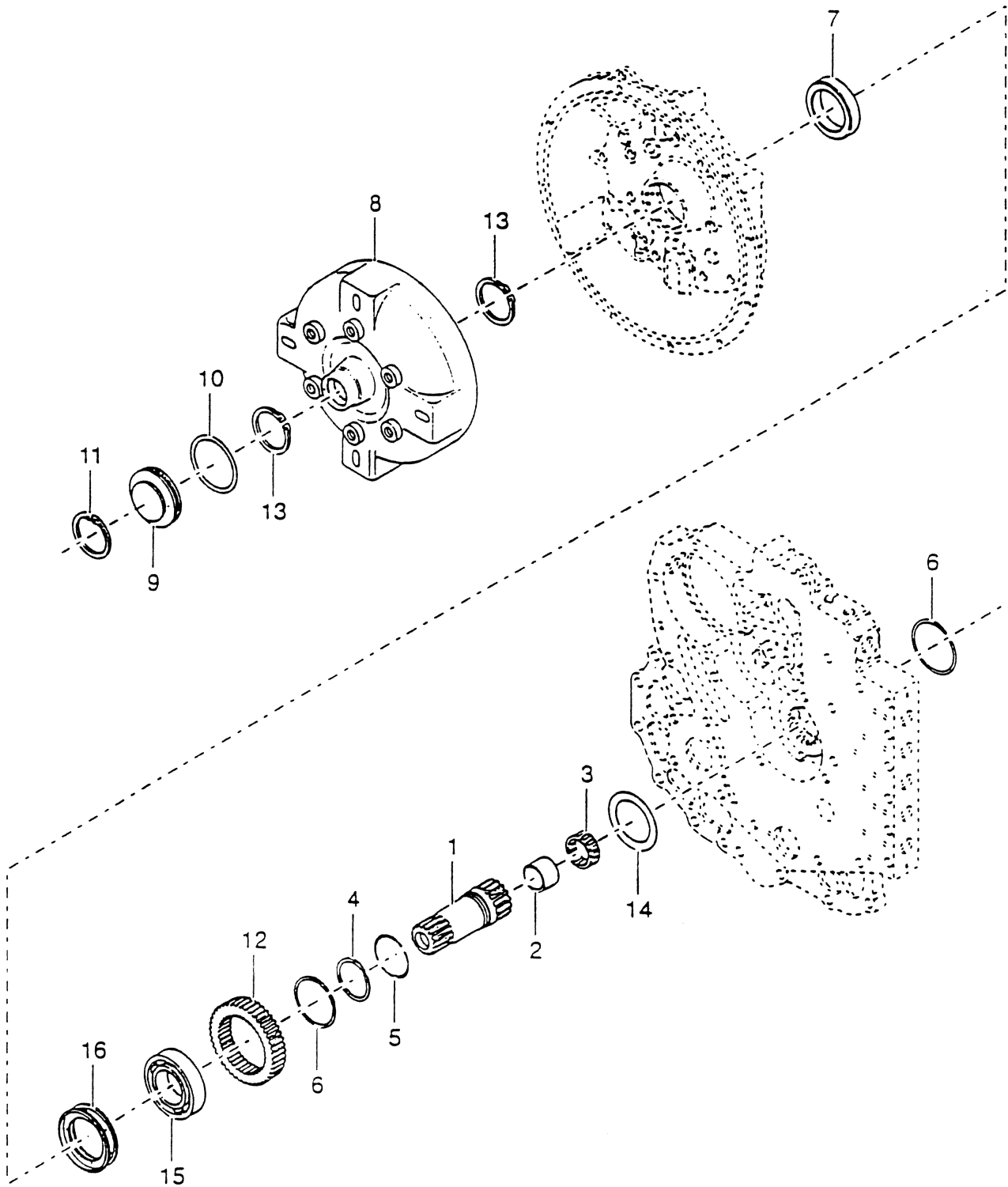
302.1 Transmission Case and Plate Assembly, T12000



## 302.1 Transmission Case and Plate Assembly, T12000

| Item | Part No.  | Description                                     | Qty. |
|------|-----------|---|------|
| --   | 226454    | SENDER/SWITHC,TRANS OIL<br>TEMP.....            | 1    |
| --   | 226456    | SENDER,TEMP TRANSMISSION..                      | 1    |
| 1    | 7-126-394 | TRANSMISSION CASE.....                          | 1    |
| 2    | 7-126-05  | BREATHER / AIR.....                             | 1    |
| 3    | 7-126-395 | PLUG w/ O-RING.....<br><i>(includes item 4)</i> | 2    |
| 4    | 7-126-358 | O-RING / PLUG.....                              | 2    |
| 5    | 7-126-33  | PLUG,MAGNETIC DRAIN.....                        | 1    |
| 7    | 7-126-357 | GASKET / PLATE TO TRANS.....                    | 1    |
| 8    | 7-126-359 | SEAL / OIL SUPPLY TUBE.....                     | 1    |
| 11   | 7-126-399 | TRANSMISSION,SPRING,SEAT.....                   | 1    |
| 12   | 7-126-400 | SNAP RING.....                                  | 1    |
| 13   | 7-126-401 | POPPET.....                                     | 1    |
| 14   | 7-126-402 | SPRING.....                                     | 1    |
| 15   | 7-126-403 | WASHER.....                                     | 1    |
| 16   | 7-126-92  | PLUG.....                                       | 1    |
| 17   | 7-126-385 | PLUG.....<br><i>(includes item 18)</i>          | 3    |
| 18   | 7-126-386 | O-RING.....                                     | 3    |
| 21   | 7-126-391 | LOCKWASHER.....                                 | 9    |
| 22   | 7-126-392 | TUBE & SCREEN ASSEMBLY.....                     | 1    |
| 23   | 7-126-265 | PIPE PLUG.....                                  | 1    |
| 24   | 7-126-92  | PLUG.....                                       | 1    |
| 25   | 7-126-04  | PIPE PLUG.....                                  | 1    |
| 27   | 7-126-270 | ASSY,DIPSTICK.....                              | 1    |
| 28   | 7-126-671 | DIPSTICK.....                                   | 1    |
| 29   | 7-126-404 | PLUG,SPEED SENSOR PORT.....                     | 2    |
| 30   | 7-126-356 | O-RING,SPEED SENSOR.....                        | 2    |
| 31   | 7-126-405 | SCREW,SPEED SENSOR.....                         | 2    |
| 32   | 7-126-388 | BOLT.....                                       | 1    |
| 33   | 7-126-407 | WASHER.....                                     | 1    |
| 34   | 7-126-409 | WASHER.....                                     | 1    |
| 35   | 7-126-410 | NUT.....  | 1    |

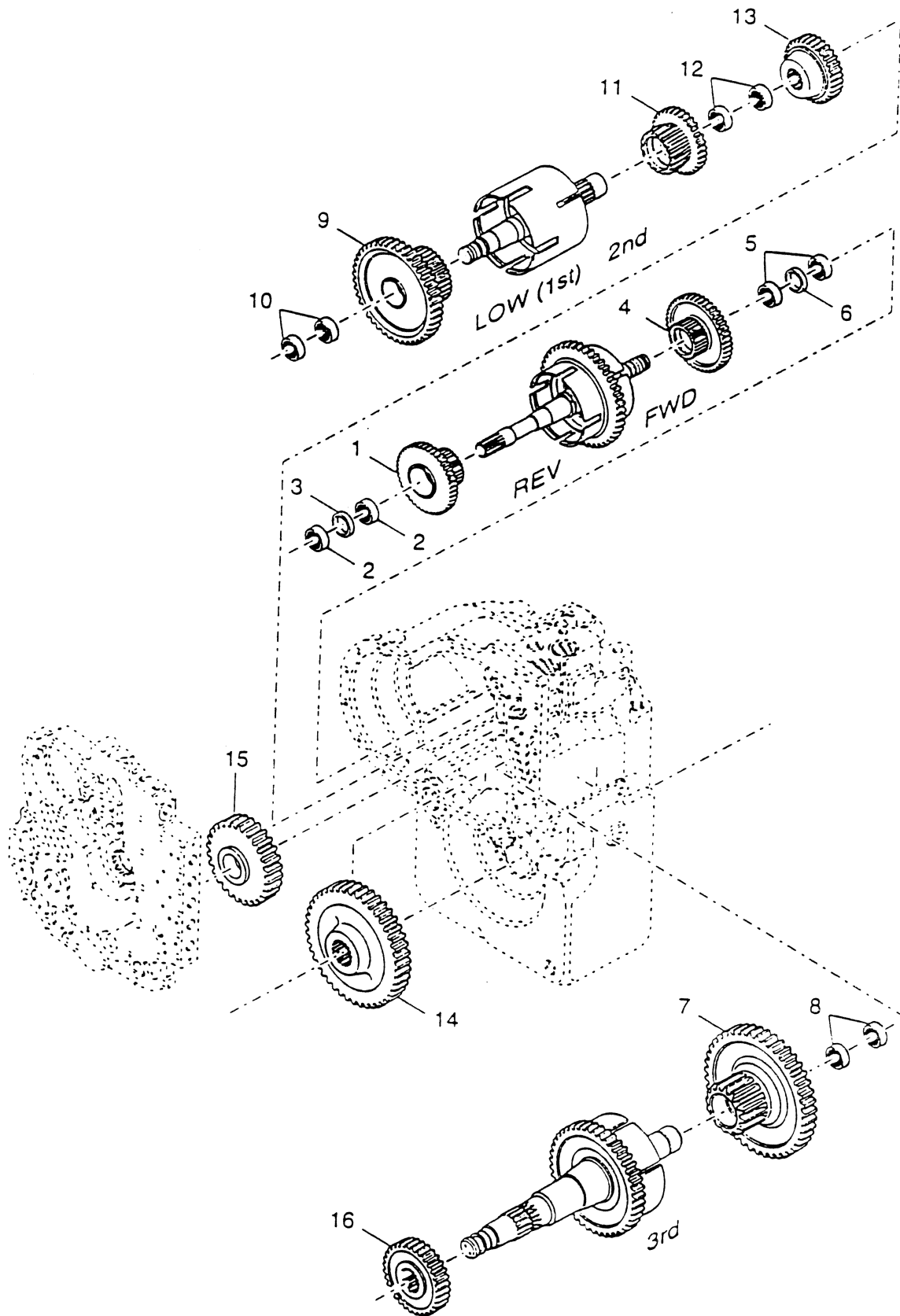
303.1 Transmission Torque Converter Assembly, T12000



303.1 Transmission Torque Converter Assembly, T12000

| Item | Part No.  | Description                  | Qty. |
|------|-----------|------------------------------|------|
| 1    | 7-126-411 | STATOR SUPPORT               |      |
| 2    | 7-126-412 | BUSHING.....                 | 1    |
| 3    | 7-126-413 | BEARING / NEEDLE.....        | 1    |
| 4    | 7-126-414 | RING.....                    | 1    |
| 5    | 7-126-415 | EXPANDER.....                | 1    |
| 6    | 7-126-416 | SNAP RING.....               | 2    |
| 7    | 7-126-360 | OIL SEAL / CONV.HOUSING..... | 1    |
| 8    | 7-126-518 | CONVERTER.....               | 1    |
| 9    | 7-126-234 | PLUG.....                    | 1    |
| 10   | 7-126-233 | O-RING.....                  | 1    |
| 11   | 7-126-277 | RETAINING RING.....          | 1    |
| 12   | 7-126-417 | GEAR.....                    | 1    |
| 13   | 7-126-418 | SNAP RING.....               | 2    |
| 14   | 7-126-419 | THRUST WASHER.....           | 1    |
| 15   | 7-126-420 | BEARING.....                 | 1    |
| 16   | 7-126-421 | RING-OIL DISTRIBUTOR.....    | 1    |

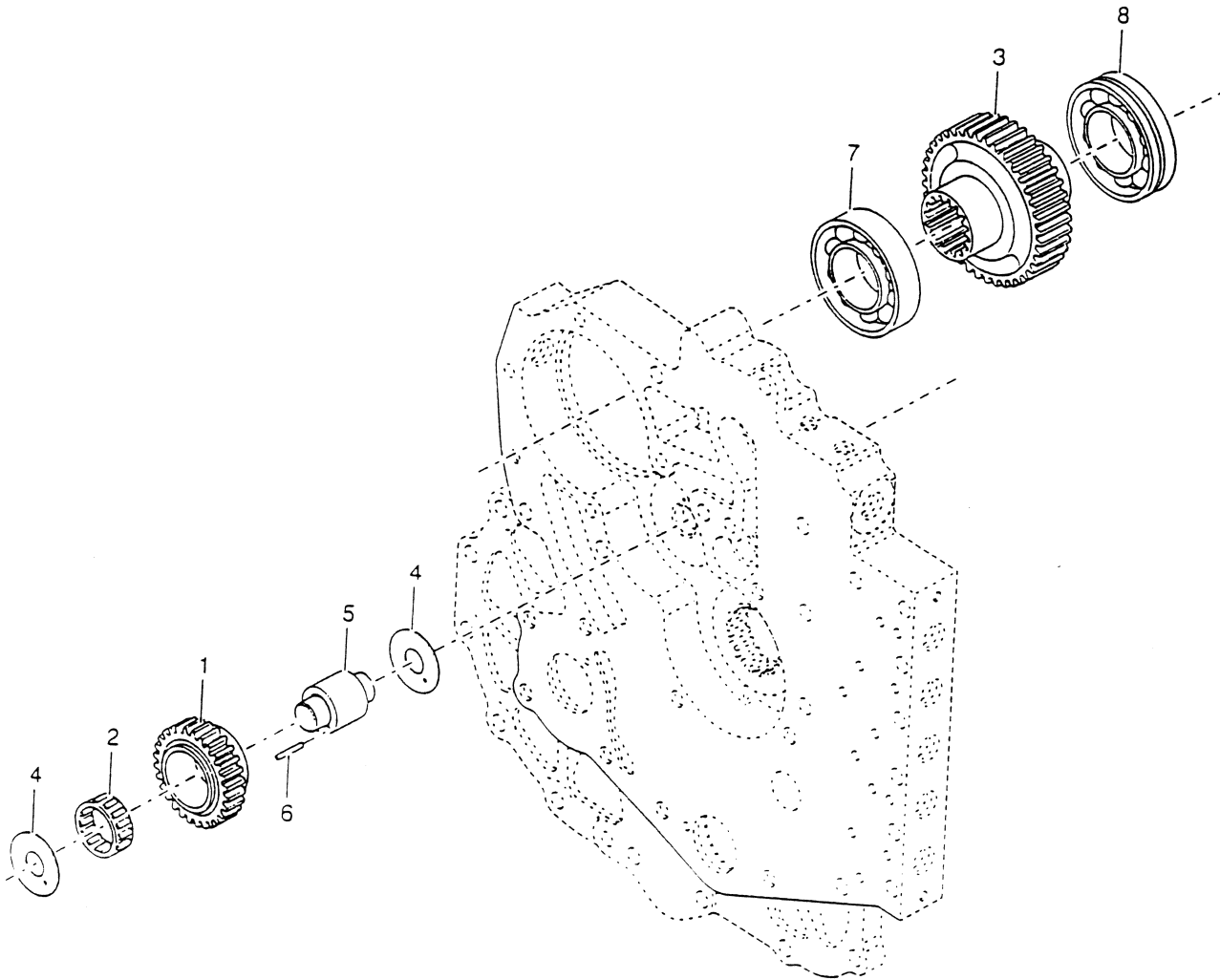
304.1 Transmission Gear Assembly, T12000



304.1 Transmission Gear Assembly, T12000

| Item | Part No.  | Description   | Qty. |
|------|-----------|---|------|
| 1    | 7-126-422 | REV CLUTCH GEAR & BEARING ASSY<br><i>(includes items 2-3)</i> |      |
| 2    | 7-126-423 | BEARING.....  | 2    |
| 3    | 7-126-424 | SPACER.....   | 1    |
| 4    | 7-126-425 | ASSY,GEAR & BEARING<br><i>(includes items 5-6)</i>            |      |
| 5    | 7-126-423 | BEARING.....  | 2    |
| 6    | 7-126-424 | SPACER.....   | 1    |
| 7    | 7-126-428 | GEAR WITH BEARING<br><i>(includes item 8)</i>                 |      |
| 8    | 7-126-429 | BEARING.....  | 2    |
| 9    |           | Ref. BEARING<br><i>(no longer available)</i>                  |      |
| 10   | 7-126-423 | BEARING.....  | 2    |
| 11   | 7-126-432 | 2ND GEAR CLUTCH/BEARING ASSY<br><i>(includes item 12)</i>     |      |
| 12   | 7-126-423 | BEARING.....  | 2    |
| 13   |           | Ref. THIRD DRIVEN GEAR.....<br><i>(no longer available)</i>   | 1    |
| 14   |           | Ref. OUTPUT SHAFT.....<br><i>(no longer available)</i>        | 1    |
| 15   | 7-126-431 | REVERSE IDLER GEAR.....                                       | 1    |
| 16   |           | Ref. FIRST DRIVEN GEAR.....<br><i>(no longer available)</i>   | 1    |

305.1 Transmission Pump Drive Assembly, T12000

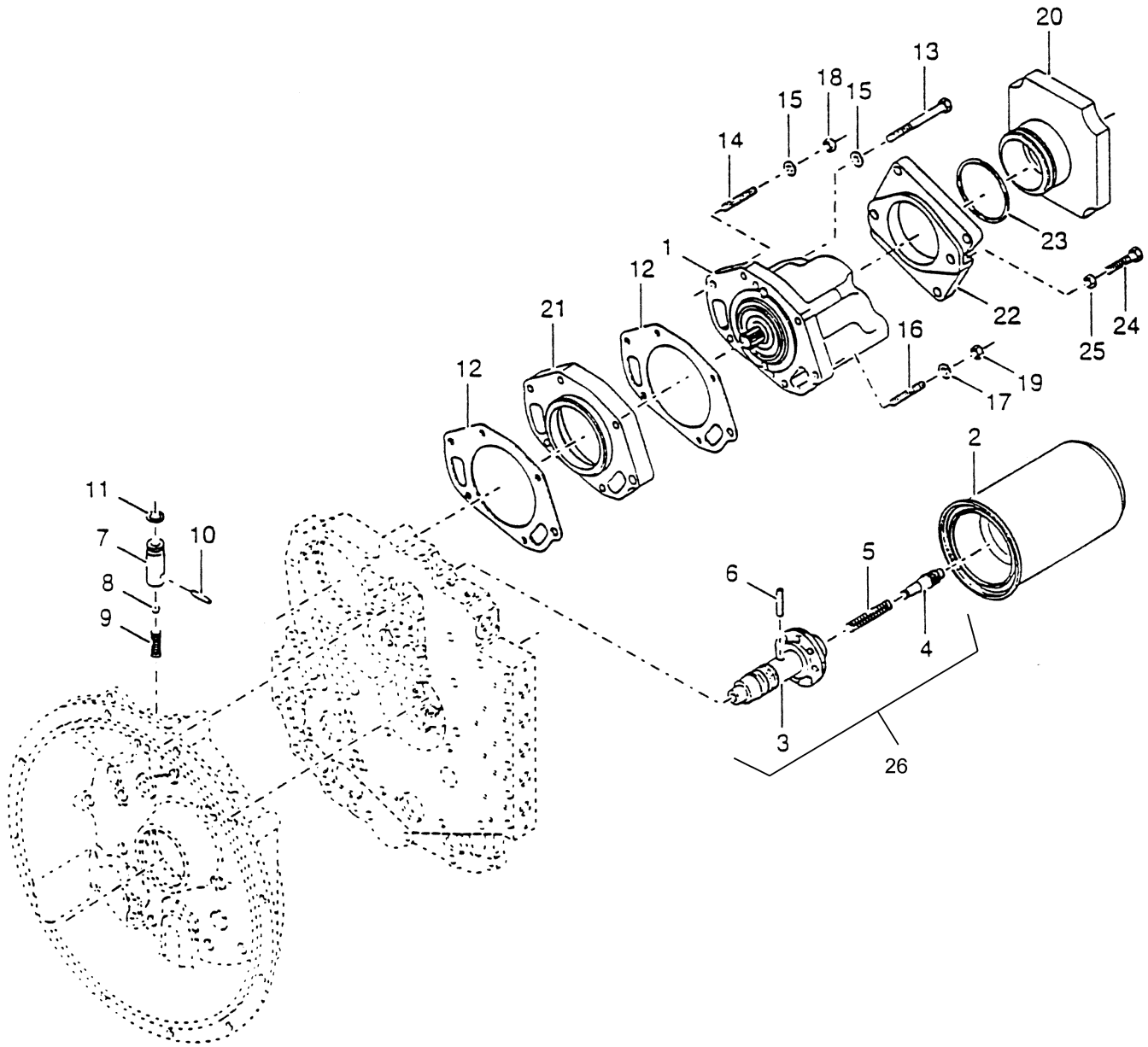




305.1 Transmission Pump Drive Assembly, T12000

| Item | Part No.  | Description  | Qty. |
|------|-----------|--|------|
| 1    | 7-126-434 | PUMP DRIVE IDLER GEAR.....                                   | 1    |
| 2    | 7-126-435 | BEARING.....   | 1    |
| 3    | 7-126-436 | GEAR.....  | 1    |
| 4    | 7-126-437 | WASHER.....  | 2    |
| 5    | 7-126-438 | PUMP DRIVESHAFT & PIN<br>ASSMBLY<br><i>(includes item 6)</i> |      |
| 6    | 7-126-439 | ROLL PIN.....  | 1    |
| 7    | 7-126-440 | BEARING,BALL.....  | 1    |
| 8    | 7-126-441 | BEARING.....   | 1    |

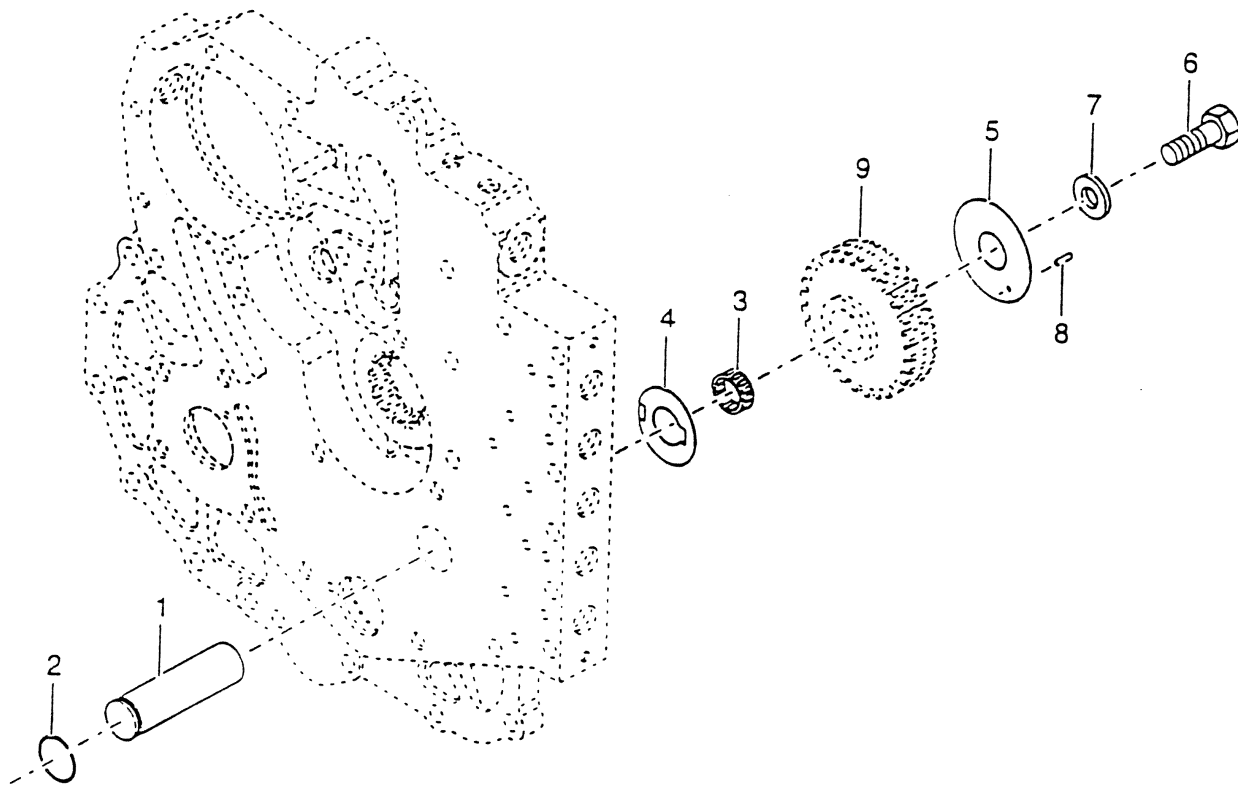
306.1 Transmission Charging Pump Assembly, T12000



## 306.1 Transmission Charging Pump Assembly, T12000

| Item | Part No.  | Description  | Qty. |
|------|-----------|--|------|
| 1    | 7-126-350 | CHARGE PUMP ASSY.....  | 1    |
| 2    | 7-126-349 | TRANSMISSION OIL FILTER.....   | 1    |
| 3    | 7-126-442 | REGULATOR VALVE SLEEVE.....  | 1    |
| 4    | 7-126-443 | PISTON.....  | 1    |
| 5    | 7-126-444 | SPRING.....  | 1    |
| 6    | 7-126-445 | NEEDLE ROLLER.....   | 1    |
| 7    | 7-126-446 | CHECK VALVE.....<br><i>(includes items 7-11)</i>                       | 1    |
| 8    |           | Ref. BALL CHECK VALVE<br>ASSEMBLY.....<br><i>(no longer available)</i> | 1    |
| 9    | 7-126-448 | SPRING.....  | 1    |
| 10   |           | Ref. CHECK VALVE PIN.....<br><i>(no longer available)</i>              | 1    |
| 11   | 7-126-361 | O-RING.....  | 1    |
| 12   | 7-126-362 | GASKET / ADAPTER to PLATE.....   | 2    |
| 13   | 7-126-450 | SCREW.....   | 4    |
| 14   | 7-126-451 | MOUNTING STUDS.....  | 1    |
| 15   |           | Ref. LOCK WASHER.....<br><i>(no longer available)</i>                  | 5    |
| 16   | 7-126-453 | MOUNTING STUD.....   | 1    |
| 17   | 7-126-391 | LOCKWASHER.....  | 1    |
| 18   |           | Ref. NUT.....<br><i>(no longer available)</i>                          | 1    |
| 19   | 7-126-410 | NUT.....   | 1    |
| 20   | 7-126-522 | PUMP DRIVE ADAPTOR.....  | 1    |
| 21   | 7-126-455 | ADAPTER / PUMP.....  | 1    |
| 22   | 7-126-521 | PLATE.....   | 1    |
| 23   | 7-126-520 | O-RING.....  | 1    |
| 24   | 7-126-519 | SCREW,PUMP MTG.PERMANENT<br>COVER.....                                 | 2    |
| 25   | 7-126-215 | LOCKWASHER,PUMP COVER<br>SCREW.....                                    | 2    |
| 26   | 7-126-456 | VALVE / REGULATOR.....<br><i>(includes items 3-6)</i>                  | 1    |

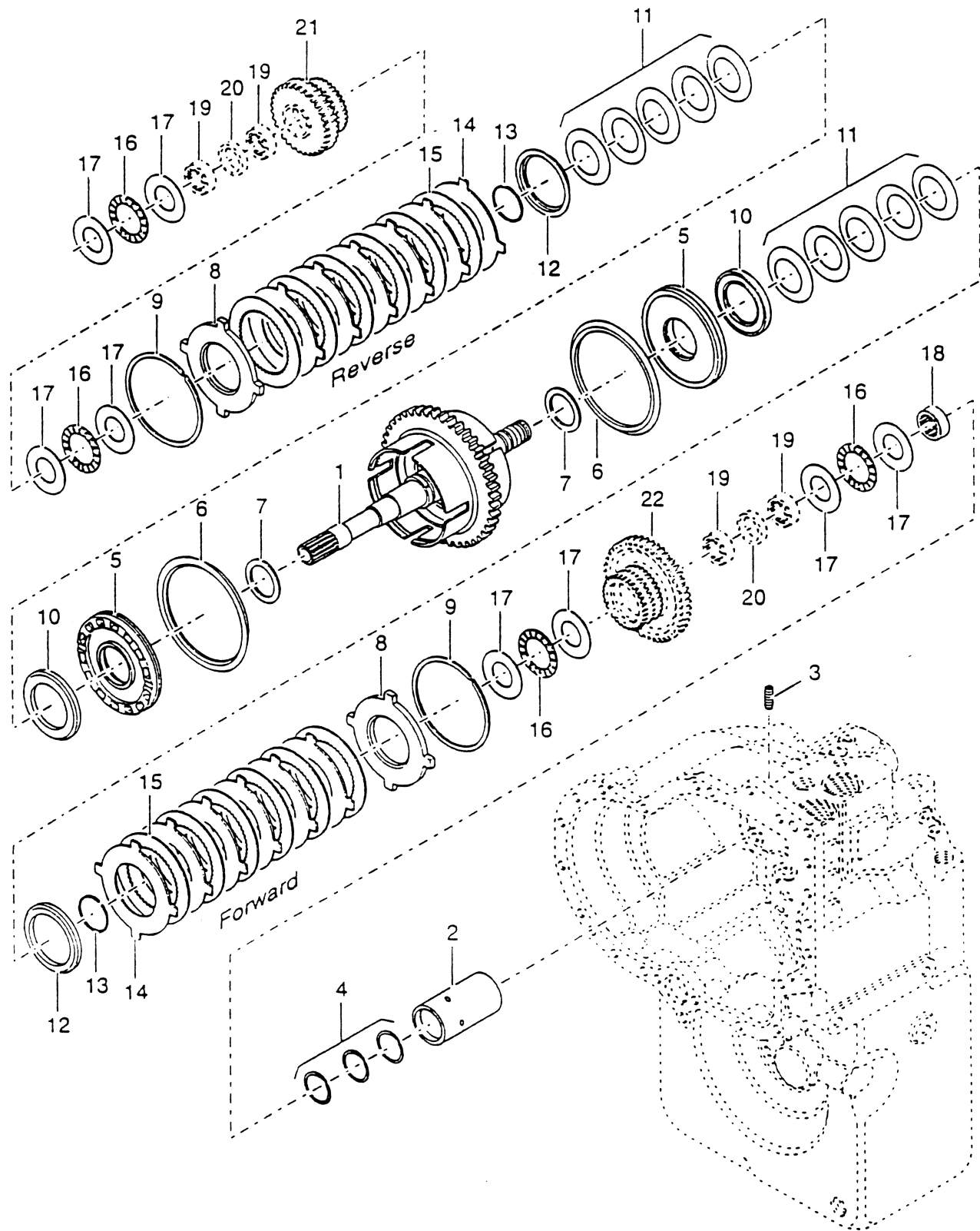
307.1 Transmission Reverse Idler Assembly, T12000



307.1 Transmission Reverse Idler Assembly, T12000

| Item | Part No.  | Description   | Qty. |
|------|-----------|---|------|
| 1    | 7-126-457 | IDLER SHAFT.....                                    | 1    |
| 2    | 7-126-458 | SNAP RING.....                                      | 1    |
| 3    | 7-126-459 | BEARING.....  | 1    |
| 4    | 7-126-460 | THRUST WASHER.....                                  | 1    |
| 5    | 7-126-461 | END PLATE.....                                      | 1    |
| 6    |           | Ref. CAP SCREW.....<br><i>(no longer available)</i> | 1    |
| 7    |           | Ref. WASHER.....<br><i>(no longer available)</i>    | 1    |
| 8    | 7-126-464 | PIN.....  | 1    |
| 9    | 7-126-431 | REVERSE IDLER GEAR.....                             | 1    |

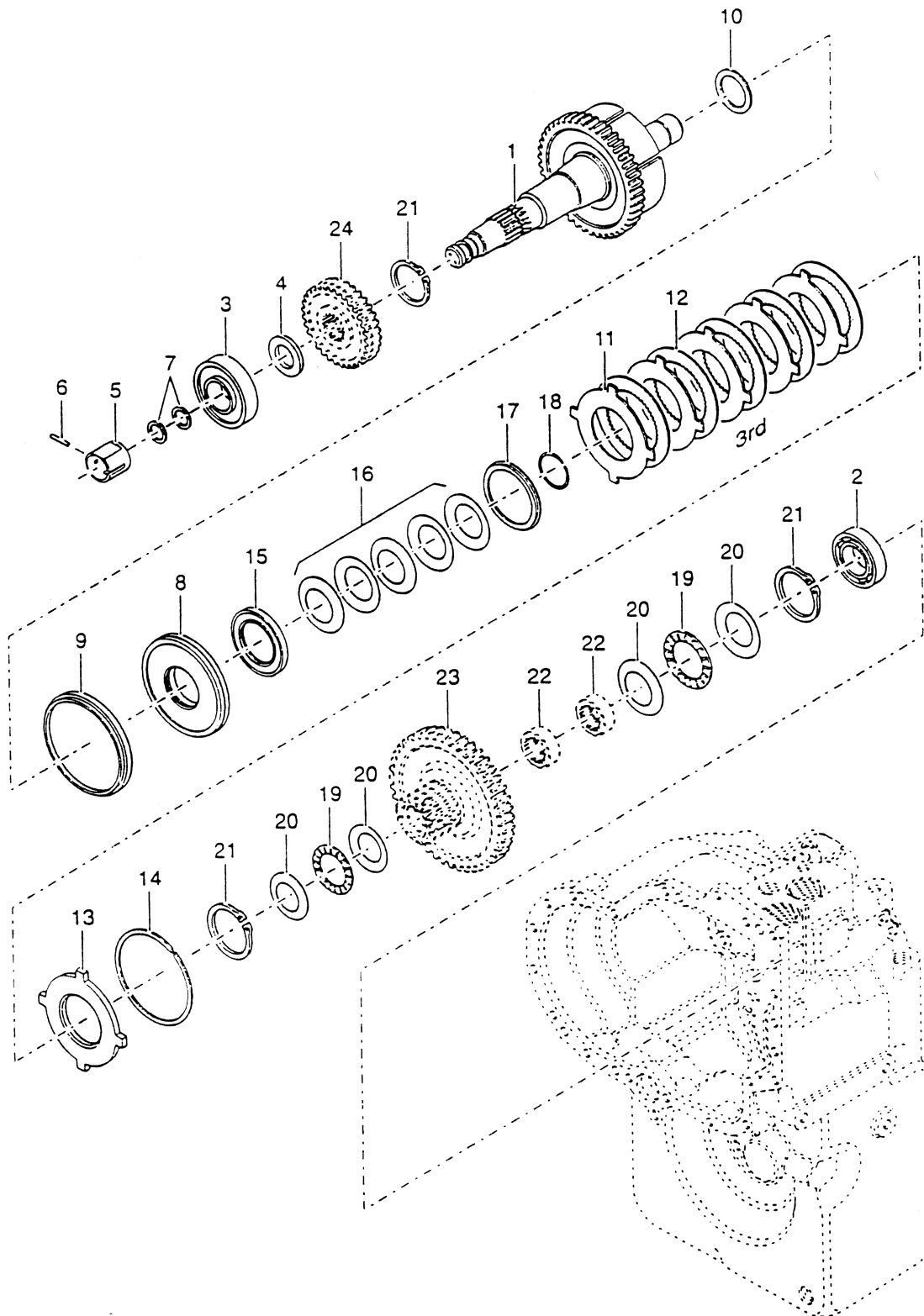
308.1 Transmission Forward and Reverse Shaft Assembly, T12000



## 308.1 Transmission Forward and Reverse Shaft Assembly, T12000

| Item | Part No.  | Description   | Qty. |
|------|-----------|---|------|
| 1    | 7-126-465 | TURBINE SHAFT DRUM & PLUG<br>ASSY.....                                  | 1    |
| 2    | 7-126-466 | OIL DISTRIBUTOR SLEEVE.....   | 1    |
| 3    |           | Ref. RETAINER SCREW.....<br><i>(no longer available)</i>                | 1    |
| 4    | 7-126-468 | PISTON RING.....  | 3    |
| 5    | 7-126-469 | PISTON & SEAL ASSEMBLY.....<br><i>(includes items 6-7)</i>              | 2    |
| 6    | 7-126-470 | SEAL.....   | 2    |
| 7    | 7-126-471 | SEAL.....   | 2    |
| 8    | 7-126-472 | PLATE.....  | 2    |
| 9    | 7-126-473 | SNAP RING.....  | 2    |
| 10   | 7-126-474 | WEAR RING.....  | 2    |
| 11   | 7-126-475 | DISC SPRING ASSEMBLY.....   | 2    |
| 12   | 7-126-476 | RETAINER.....   | 2    |
| 13   | 7-126-477 | RETAINER.....   | 2    |
| 14   | 7-229-648 | INTERMEDIATE BRAKE DISC.....<br><i>(6 forward, 6 reverse)</i>           | 12   |
| 15   | 7-229-649 | BRAKE DISC.....<br><i>(6 forward, 6 reverse)</i>                        | 12   |
| 16   | 7-126-480 | BEARING.....  | 4    |
| 17   | 7-126-481 | WASHER.....   | 8    |
| 18   |           | Ref. REAR TURBINE SHAFT<br>BEARING.....<br><i>(no longer available)</i> | 1    |
| 19   |           | Ref. Clutch Gear Bearing<br><i>(refer to 304.1)</i>                     |      |
| 20   |           | Ref. Clutch Gear Bearing Spacer<br><i>(refer to 304.1)</i>              |      |
| 21   |           | Ref. Reverse Clutch Gear<br><i>(refer to 304.1)</i>                     |      |
| 22   |           | Ref. Forward Clutch Gear<br><i>(refer to 304.1)</i>                     |      |

309.1 Transmission Third Shaft Assembly, T12000

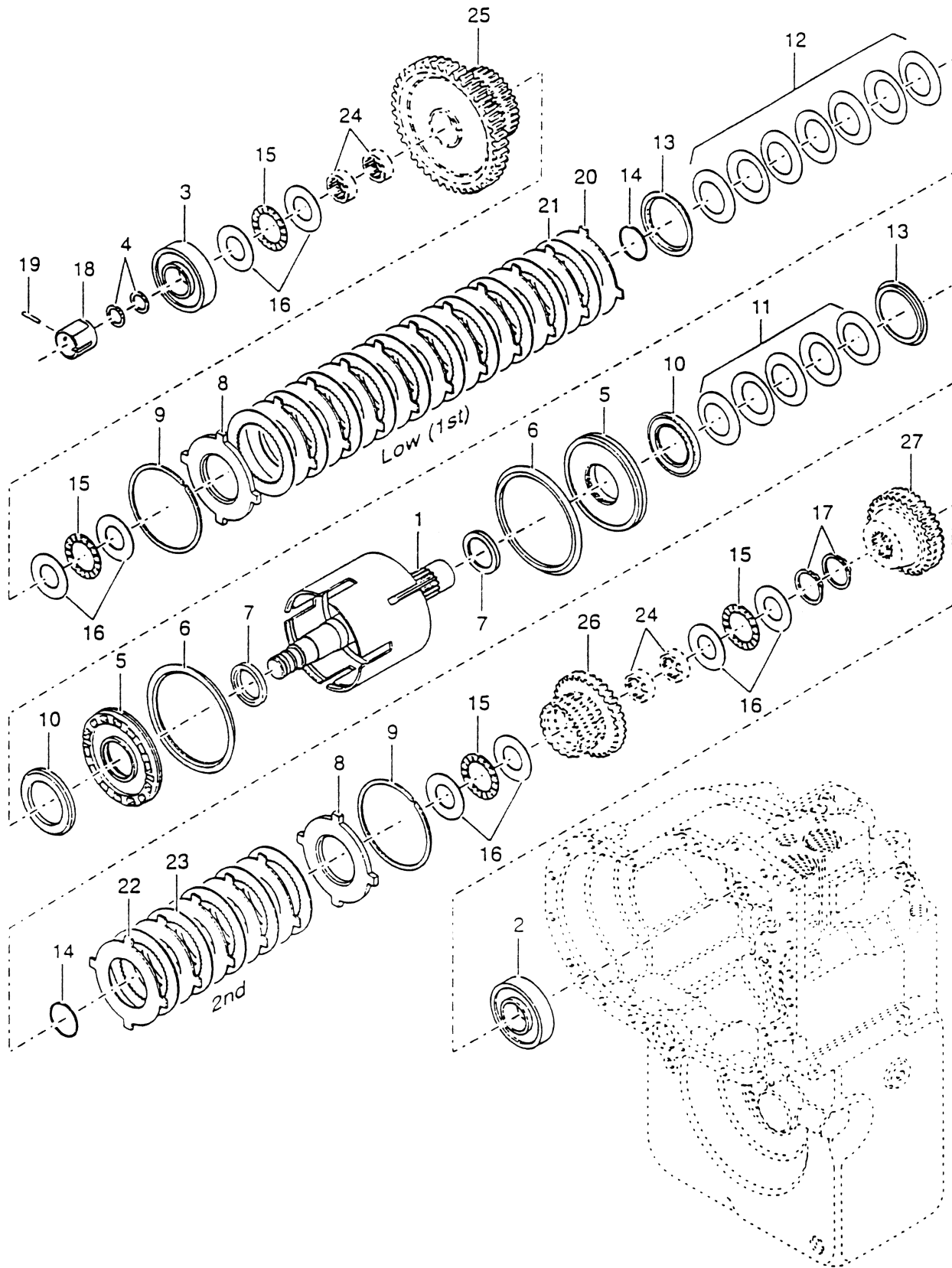




## 309.1 Transmission Third Shaft Assembly, T12000

| Item | Part No.  | Description  | Qty. |
|------|-----------|--|------|
| 1    | 7-126-483 | 3RD SHAFT-DRUM & PLUG<br>ASSY.....                             | 1    |
| 2    | 7-126-484 | ROLLER BEARING.....  | 1    |
| 3    | 7-126-485 | BEARING.....   | 1    |
| 4    | 7-126-486 | WASHER.....  | 1    |
| 5    | 7-126-487 | SLEEVE.....  | 1    |
| 6    |           | Ref. Screw.....<br><i>(no longer available)</i>                | 1    |
| 7    | 7-126-468 | PISTON RING.....   | 2    |
| 8    | 7-126-489 | PISTON.....<br><i>(includes 9-10)</i>                          | 1    |
| 9    | 7-126-470 | SEAL.....  | 1    |
| 10   | 7-126-471 | SEAL.....  | 1    |
| 11   | 7-229-648 | INTERMEDIATE BRAKE DISC.....                                   | 5    |
| 12   | 7-229-649 | BRAKE DISC.....  | 5    |
| 13   | 7-126-472 | PLATE.....   | 1    |
| 14   | 7-126-473 | SNAP RING.....   | 1    |
| 15   | 7-126-474 | WEAR RING.....   | 1    |
| 16   | 7-126-475 | DISC SPRING ASSEMBLY.....<br><i>(includes 5 washers)</i>       | 1    |
| 17   | 7-126-476 | RETAINER.....  | 1    |
| 18   |           | Ref. Snap Ring.....<br><i>(no longer available)</i>            | 1    |
| 19   | 7-126-490 | BEARING.....   | 2    |
| 20   | 7-126-491 | WASHER.....  | 4    |
| 21   |           | Ref. Snap Ring.....<br><i>(no longer available)</i>            | 3    |
| 22   |           | Ref. Third Clutch Bearing.....<br><i>(no longer available)</i> | 2    |
| 23   |           | Ref. Third Gear<br><i>(refer to 304.1)</i>                     |      |
| 24   |           | Ref. First Gear Drive<br><i>(refer to 304.1)</i>               |      |

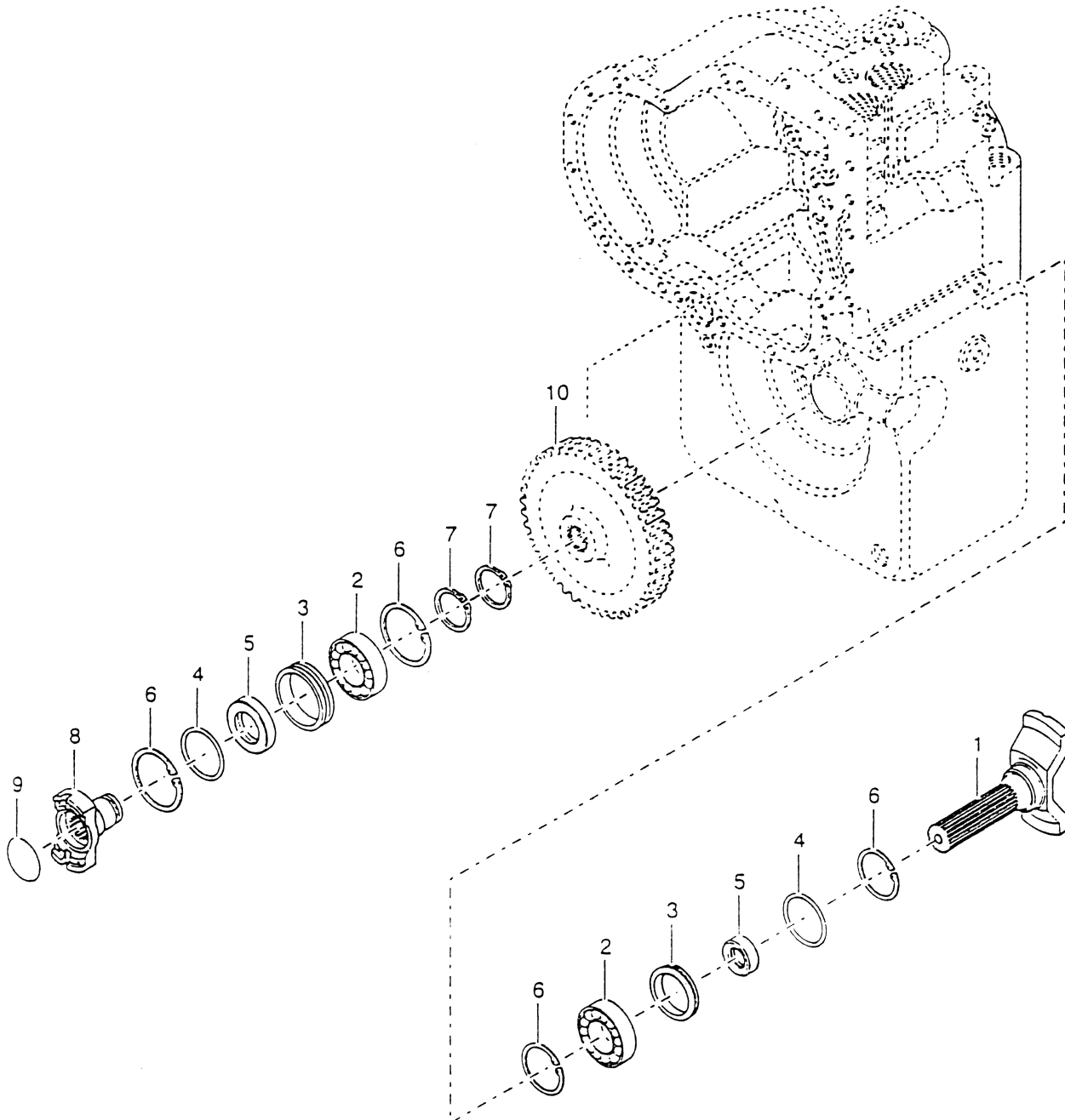
310.1 Transmission First and Second Shaft Assembly, T12000



## 310.1 Transmission First and Second Shaft Assembly, T12000

| Item | Part No.  | Description   | Qty. |
|------|-----------|---|------|
| 1    | 7-126-493 | 1ST&2ND<br>SHAFT,DRUM,PLUG&SEAT.....                                | 1    |
| 2    | 7-126-494 | ROLLER BEARING.....   | 1    |
| 3    | 7-126-485 | BEARING.....  | 1    |
| 4    | 7-126-468 | PISTON RING.....  | 2    |
| 5    | 7-126-495 | A CLU PISTON.....<br><i>(includes items 6 and 7)</i>                | 2    |
| 6    | 7-126-470 | SEAL.....   | 2    |
| 7    | 7-126-471 | SEAL.....   | 2    |
| 8    | 7-126-472 | PLATE.....  | 1    |
| 9    | 7-126-473 | SNAP RING.....  | 1    |
| 10   | 7-126-474 | WEAR RING.....  | 1    |
| 11   | 7-126-475 | DISC SPRING ASSEMBLY.....<br><i>(includes 5 washers)</i>            | 1    |
| 12   | 7-126-496 | DISC SPRING ASSY.....<br><i>(includes 7 washers)</i>                | 1    |
| 13   | 7-126-476 | RETAINER.....   | 2    |
| 14   | 7-126-477 | RETAINER.....   | 2    |
| 15   | 7-126-480 | BEARING.....  | 4    |
| 16   | 7-126-481 | WASHER.....   | 8    |
| 17   | 7-126-497 | SNAP RING.....  | 2    |
| 18   | 7-126-498 | SLEEVE.....   | 1    |
| 19   |           | Ref. SLEEVE RETAINING<br>SCREW.....<br><i>(no longer available)</i> | 1    |
| 20   | 7-229-648 | INTERMEDIATE BRAKE DISC.....<br><i>(outer, first)</i>               | 10   |
| 21   | 7-229-649 | BRAKE DISC.....<br><i>(inner, first)</i>                            | 10   |
| 22   | 7-229-648 | INTERMEDIATE BRAKE DISC<br><i>(outer, second)</i>                   |      |
| 23   | 7-229-649 | BRAKE DISC.....<br><i>(inner, second)</i>                           | 5    |
| 24   |           | Ref. Clutch Gear Bearing<br><i>(refer to 304.1)</i>                 |      |
| 25   |           | Ref. First Clutch Gear<br><i>(refer to 304.1)</i>                   |      |
| 26   |           | Ref. Second Clutch Gear<br><i>(refer to 304.1)</i>                  |      |
| 27   |           | Ref. Third Driven Gear<br><i>(refer to 304.1)</i>                   |      |

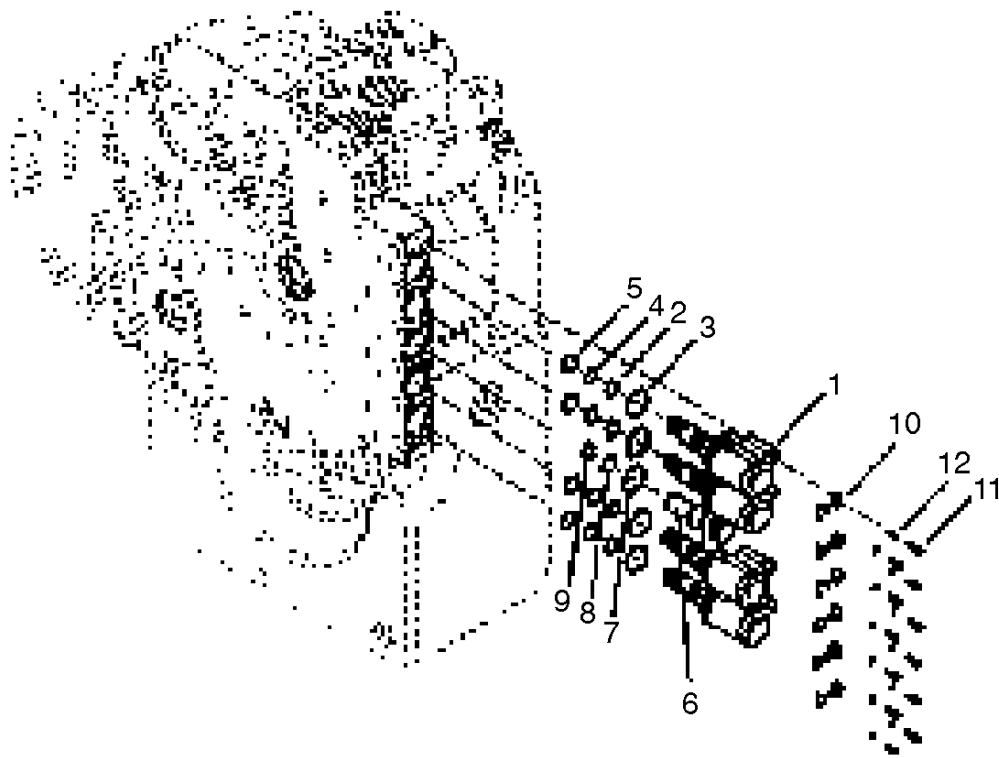
311.1 Transmission Output Shaft Assembly, T12000



## 311.1 Transmission Output Shaft Assembly, T12000

| Item | Part No.  | Description  | Qty. |
|------|-----------|--|------|
| 1    | 7-126-500 | SHAFT / OUTPUT.....  | 1    |
| 2    | 7-126-307 | BEARING,BALL.....  | 2    |
| 3    | 7-126-368 | SLEEVE / OIL SEAL.....                                       | 2    |
| 4    | 7-126-366 | O-RING / OIL SEAL.....                                       | 2    |
| 5    | 7-126-772 | OIL SEAL / OUTPUT SHAFT.....                                 | 2    |
| 6    | 7-126-365 | SNAP RING / OUTPUT FLANGE....                                | 4    |
| 7    | 7-126-369 | FLANGE RETAINING RING.....                                   | 2    |
| 8    | 7-126-364 | OUTPUT FLANGE.....<br><i>(includes item 9)</i>               | 1    |
| 9    | 7-126-363 | FLANGE PLUG.....   | 1    |
| 10   |           | Ref. OUTPUT FLANGE GEAR.....<br><i>(no longer available)</i> | 1    |

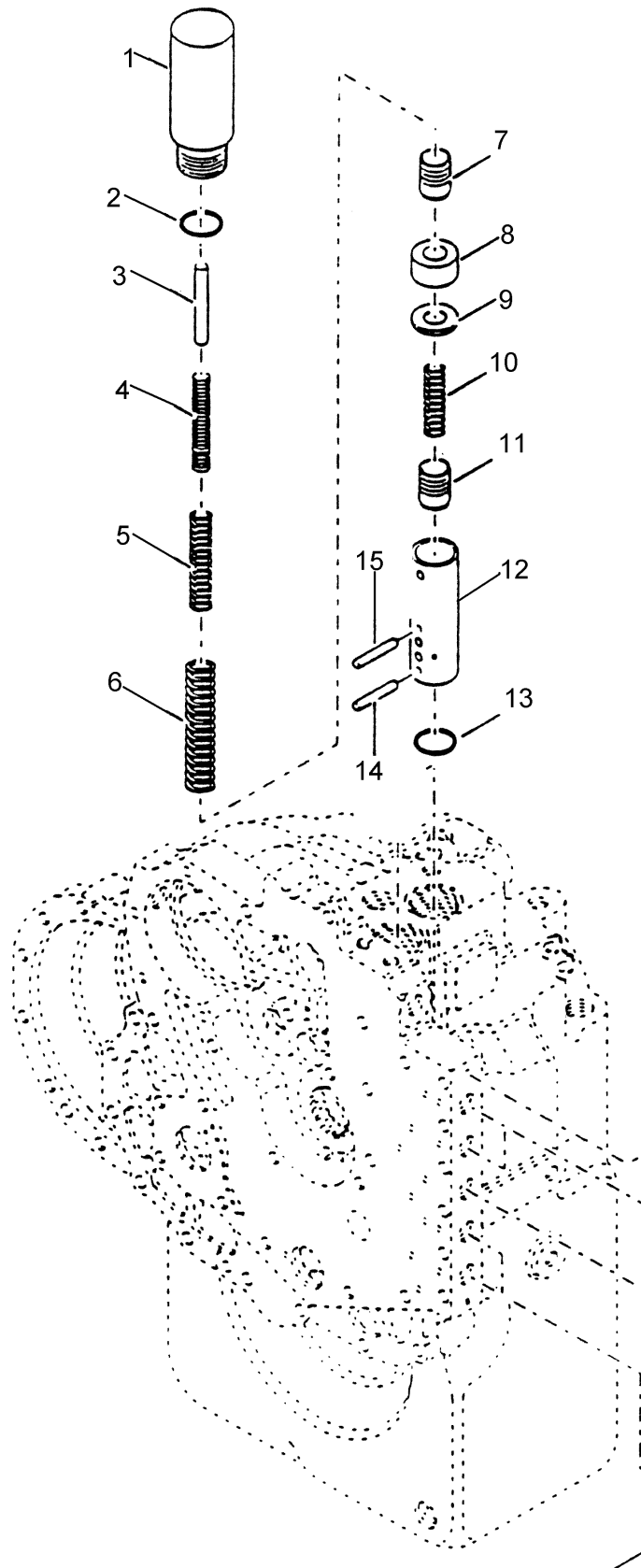
312.1 Transmission Control Assembly, T12000



## 312.1 Transmission Control Assembly, T12000

| Item | Part No.  | Description  | Qty. |
|------|-----------|--|------|
| 1    | 7-126-768 | SOLENOID ASSY/DROP IN.....4<br><i>(includes items 2-5)</i>   |      |
| --   | 227493    | HARNESS, TRANSMISSION  |      |
| 2    | 7-126-773 | O-RING,21.5 X 1.5 MM,VITON.....4<br><i>(part of item 1)</i>  |      |
| 3    | 7-126-774 | O-RING,15.1 X 1.60 MM,VITON.....4<br><i>(part of item 1)</i> |      |
| 4    | 7-126-775 | O-RING,14.1 X 1.60 MM,VITON.....4<br><i>(part of item 1)</i> |      |
| 5    | 7-126-776 | O-RING,12.1 X 1.60 MM,VITON.....4<br><i>(part of item 1)</i> |      |
| 6    | 7-126-777 | PLUG-SOLENOID BORE<br><i>(includes items 7-9)</i>            |      |
| 7    | 7-126-778 | 90RING 18.0 X 2.20MM, VITON.....1<br><i>(part of item 6)</i> |      |
| 8    | 7-126-774 | O-RING,15.1 X 1.60 MM,VITON.....1<br><i>(part of item 6)</i> |      |
| 9    | 7-126-776 | O-RING,12.1 X 1.60 MM,VITON.....1<br><i>(part of item 6)</i> |      |
| 10   | 7-126-779 | CLAMP - SOLENOIDS.....6                                      |      |
| 11   | 7-126-780 | SCREW M4X10 (FOR<br>7-126-767).....12                        |      |

313.1 Transmission Modulation Valve Assembly, T12000

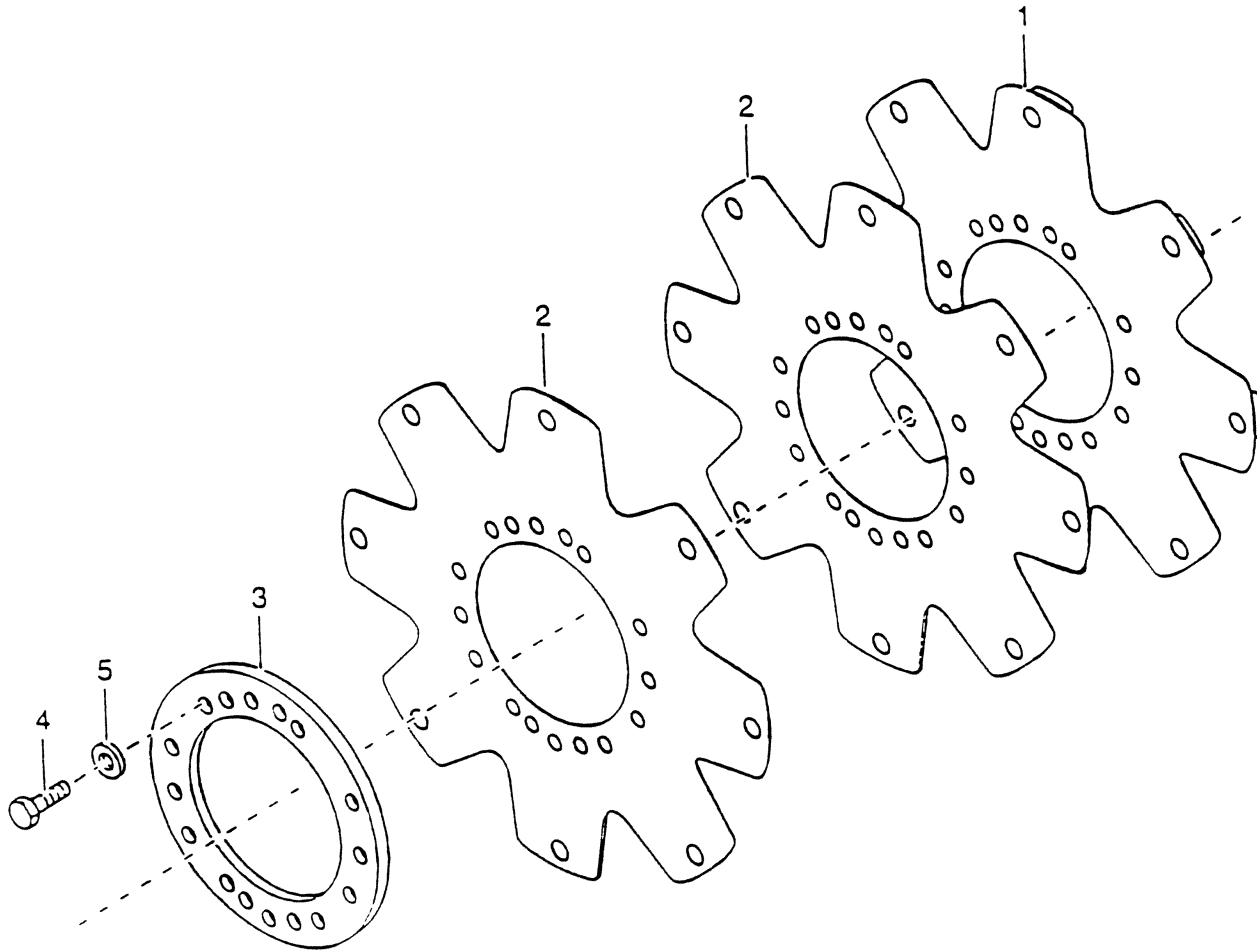




## 313.1 Transmission Modulation Valve Assembly, T12000

| Item | Part No.  | Description   | Qty. |
|------|-----------|---|------|
| 1    |           | Ref. Modulation Valve Housing.....1<br><i>(no longer available)</i> |      |
| 2    | 7-126-371 | O-RING / MODULATOR<br>HOUSING.....1                                 |      |
| 3    | 7-126-63  | PIN,ACCUMULATOR STOP.....1  |      |
| 4    | 7-126-64  | SPRING,ACCUMULATOR,INNER...1  |      |
| 5    | 7-126-506 | SPRING,MIDDLE.....1   |      |
| 6    | 7-126-507 | SPRING,OUTER.....1  |      |
| 7    |           | Ref. Accumulator Spool.....1<br><i>(no longer available)</i>        |      |
| 8    | 7-126-512 | SPRING / RETAINER.....1   |      |
| 9    |           | Ref. Spring Spacer.....1<br><i>(no longer available)</i>            |      |
| 10   |           | Ref. Modulation Valve Spring.....1<br><i>(no longer available)</i>  |      |
| 11   |           | Ref. Regulator Spool.....1<br><i>(no longer available)</i>          |      |
| 12   |           | Ref. Modulation Valve Sleeve.....1<br><i>(no longer available)</i>  |      |
| 13   | 7-126-372 | O-RING / SLEEVE.....1   |      |
| 14   |           | Ref. Lower Pin.....1<br><i>(no longer available)</i>                |      |
| 15   |           | Ref. Upper Pin.....1<br><i>(no longer available)</i>                |      |

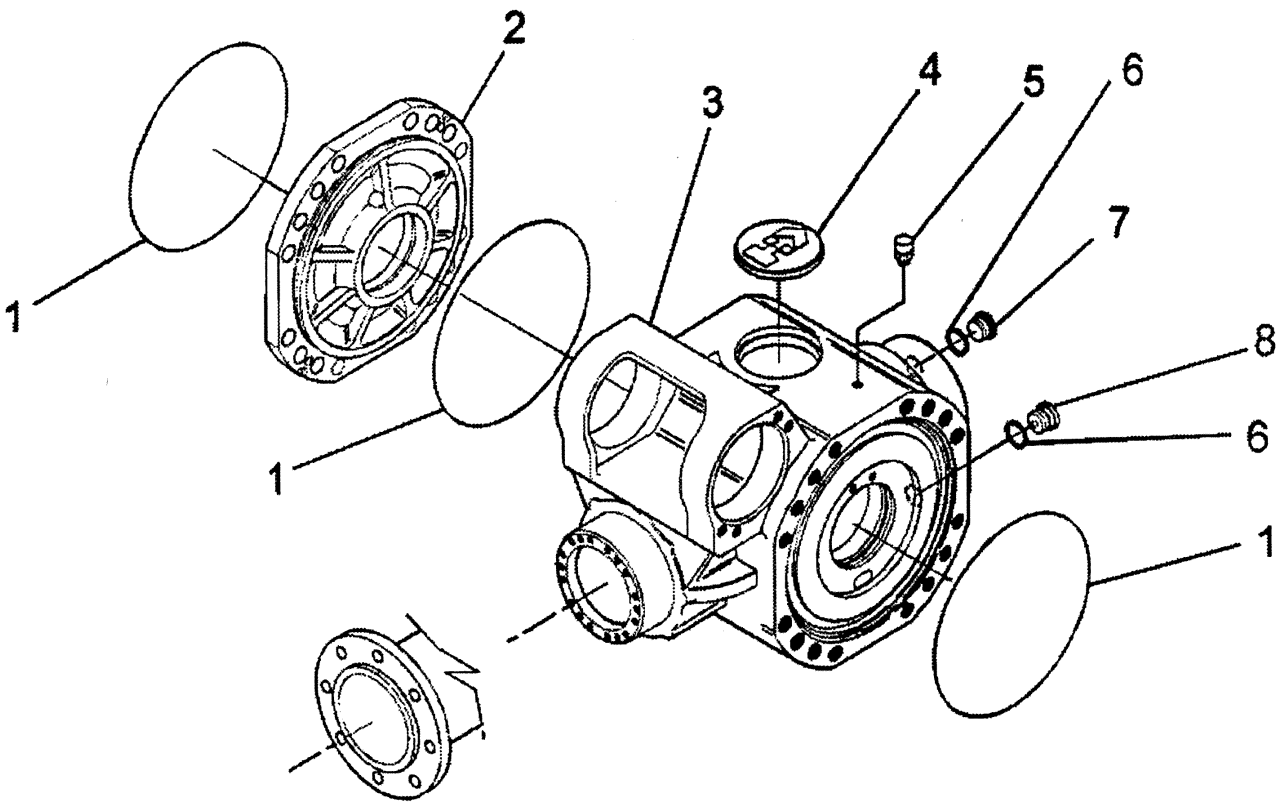
314.1 Transmission Drive Plate Assembly, T12000



314.1 Transmission Drive Plate Assembly, T12000

| Item | Part No.  | Description   | Qty. |
|------|-----------|---|------|
| --   | 7-126-383 | DRIVE PLATE ASSY KIT.....1<br><i>(includes items 1-5)</i> |      |
| 1    |           | Ref. Drive Plate Assembly<br><i>(not sold separately)</i> |      |
| 2    |           | Ref. Drive Plate<br><i>(not sold separately)</i>          |      |
| 3    | 7-126-60  | RING.....1  |      |
| 4    |           | Ref. SCREW.....6<br><i>(not sold separately)</i>          |      |
| 5    | 7-126-54  | LOCKWASHER.....6  |      |

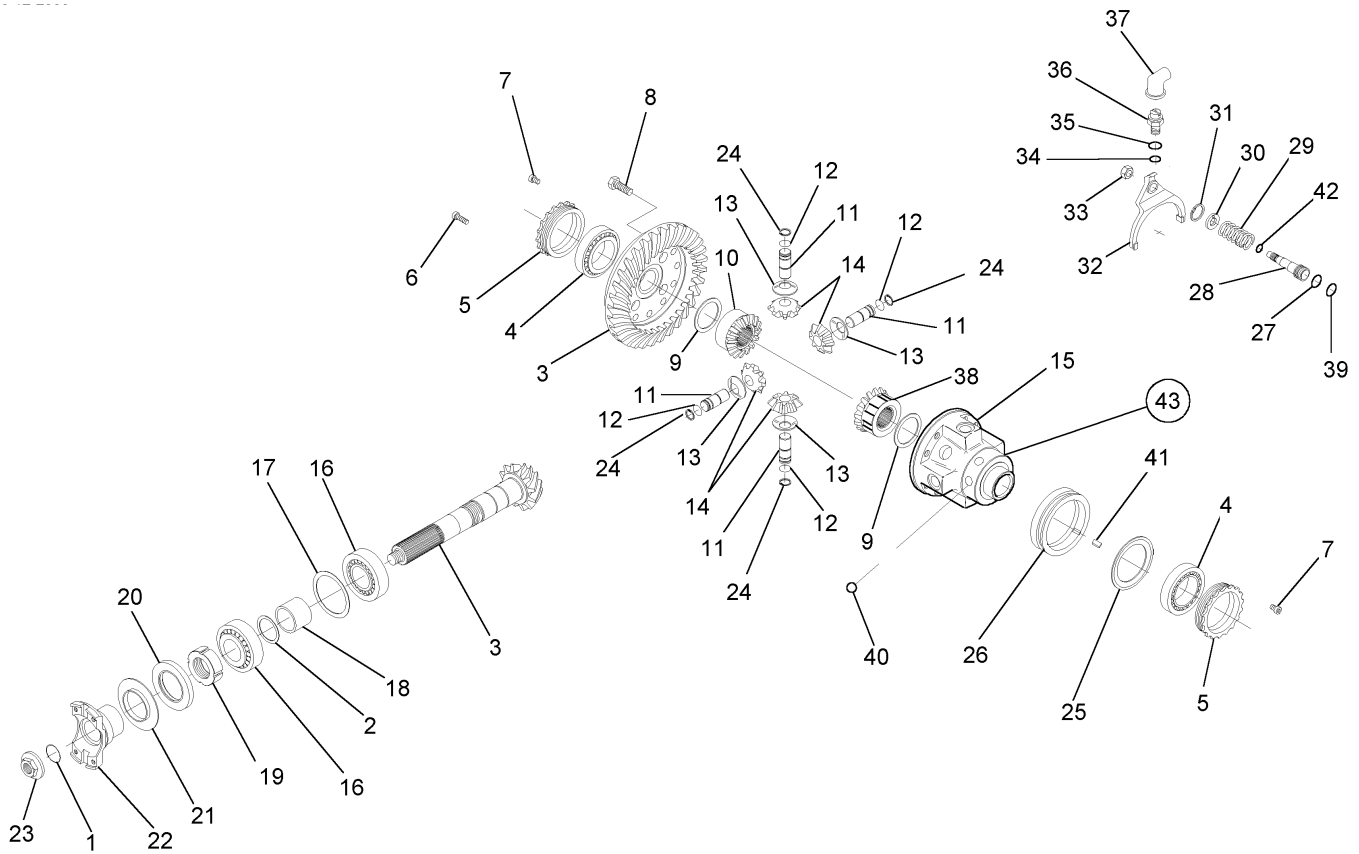
401.1 Axle Gear Box and Covers, Front and Rear Axle



## 401.1 Axle Gear Box and Covers, Front and Rear Axle

| Item | Part No.  | Description                                | Qty. |
|------|-----------|--|------|
| 1    | 7-229-520 | O-RING.....                                | 3    |
| 2    | 7-229-521 | INTERMEDIATE COVER.....                    | 1    |
| 3A   | 7-229-939 | AXLE HOUSING.....<br><i>(front)</i>        | 1    |
| 4    | 7-229-926 | PLUG.....                                  | 1    |
| --   | 7-229-601 | CIRCLIP.....                               | 1    |
| 5    | 7-229-524 | VENT.....<br><i>(vent)</i>                 | 1    |
| 6    | 7-229-525 | SEAL WASHER.....                           | 2    |
| 7    | 7-229-526 | PLUG.....<br><i>(includes seal washer)</i> | 1    |
| 8    | 7-229-580 | MAGNETIC PLUG.....                         | 1    |

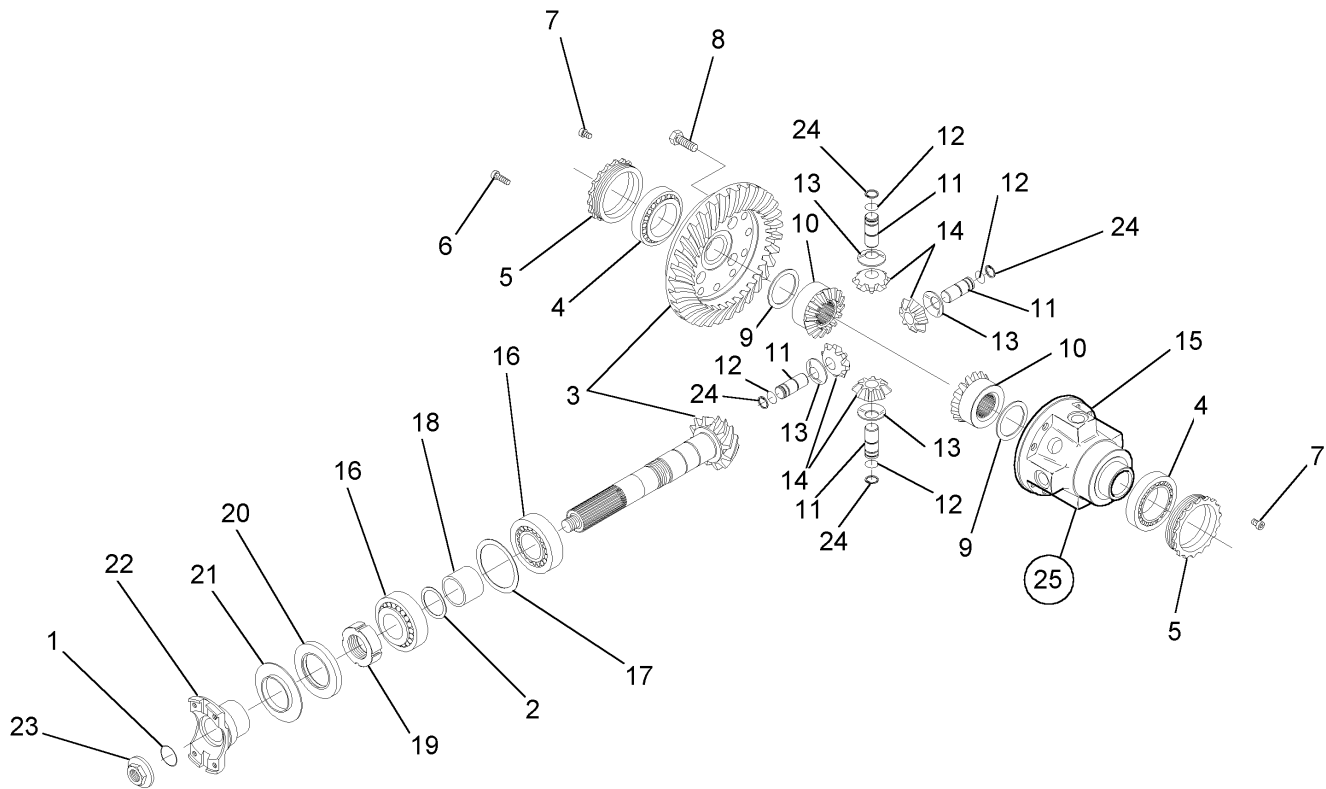
402.1 Differential Assembly, Front Axle



## 402.1 Differential Assembly, Front Axle

| Item | Part No.  | Description  | Qty. | Item | Part No.  | Description  | Qty. |
|------|-----------|--|------|------|-----------|--|------|
| 1    | 7-229-528 | O-RING.....  | 1    | 25   | 7-229-717 | SHEET.....   | 1    |
| 2    | 7-229-530 | SHIM / 0.15mm<br>(quantity and thickness vary, refer to<br>parts listed below) |      | 26   | 7-229-718 | SELECTOR.....  | 1    |
| --   | 7-229-531 | SHIM / 0.20mm  |      | 27   | 7-229-719 | O-RING.....  | 1    |
| --   | 7-229-532 | SHIM / 0.40mm  |      | 28   | 7-229-720 | PISTON.....  | 1    |
| --   | 7-229-533 | SHIM / 0.50mm  |      | 29   | 7-229-721 | SPRING.....  | 1    |
| --   | 7-229-548 | SHIM / 0.20mm  |      | 30   | 7-229-722 | PLUG.....  | 1    |
| --   | 7-229-557 | SHIM / 0.30mm  |      | 31   | 7-229-723 | CIRCLIP.....   | 1    |
| --   | 7-229-558 | SHIM / 0.15mm  |      | 32   | 7-229-724 | SELECTOR FORK.....   | 1    |
| --   | 7-229-559 | SHIM / 0.10mm  |      | 33   | 7-229-725 | NUT.....   | 1    |
| 3    | 7-229-940 | BEVEL GEAR SET.....  | 1    | 34   | 7-229-726 | O-RING.....  | 1    |
| 4    | 7-229-535 | TAPER ROLLER BEARING.....  | 2    | 35   | 7-229-727 | SEAL WASHER.....   | 1    |
| 5    | 7-229-536 | RING NUT.....  | 2    | 36   | 7-229-944 | SECURITY SWITCH.....                                       | 1    |
| 6    | 7-229-537 | CYLINDER BOLT.....   | 4    | 37   | 7-229-729 | BOOT.....  | 1    |
| 7    | 7-229-538 | CYLINDER BOLT.....   | 2    | 38   | 7-229-927 | DIFFERENTIAL SIDE GEAR.....                                | 1    |
| 8    | 7-229-691 | BOLT.....  | 12   | 39   | 7-229-730 | RING.....  | 1    |
| 9    | 7-229-540 | FRICTION WASHER.....   | 2    | 40   | 7-229-731 | DETENT BALL.....   | 6    |
| 10   | 7-229-541 | DIFFERENTIAL SIDE GEAR.....  | 1    | 41   | 7-229-732 | KEY.....   | 1    |
| 11   |           | Ref.....<br>(no longer available)  | 4    | 42   | 7-229-733 | CIRCLIP.....   | 1    |
| 12   | 7-229-543 | CIRCLIP.....   | 4    | 43   | 7-229-945 | DIFFERENTIAL ASSY.....<br>(includes items 9-15, 24 and 38) | 1    |
| 13   | 7-229-544 | FRICTION WASHER.....   | 4    |      |           |  |      |
| 14   |           | Ref.....<br>(no longer available)  | 4    |      |           |  |      |
| 15   | 7-229-716 | DIFFERENTIAL CARRIER.....  | 1    |      |           |  |      |
| 16   | 7-229-547 | TAPERED ROLLER BEARING.....  | 2    |      |           |  |      |
| 17   | 7-229-548 | SHIM / 0.20mm<br>(quantity and thickness vary, refer to<br>parts listed below) |      |      |           |  |      |
| --   | 7-229-557 | SHIM / 0.30mm  |      |      |           |  |      |
| --   | 7-229-558 | SHIM / 0.15mm  |      |      |           |  |      |
| --   | 7-229-559 | SHIM / 0.10mm  |      |      |           |  |      |
| 18   | 7-229-549 | SPACER.....  | 1    |      |           |  |      |
| 19   | 7-229-550 | RING NUT.....  | 1    |      |           |  |      |
| 20   | 7-229-551 | SEAL.....  | 1    |      |           |  |      |
| 21   |           | Ref.<br>(not used on this model)   |      |      |           |  |      |
| 22   | 7-229-943 | FLANGE.....  | 1    |      |           |  |      |
| 23   | 7-229-554 | PINNION NUT / M20 X 1.5<br>THREAD.....   | 1    |      |           |  |      |
| 24   | 7-229-555 | CIRCLIP.....   | 4    |      |           |  |      |

403.1 Axle Differential Assembly, Rear Axle

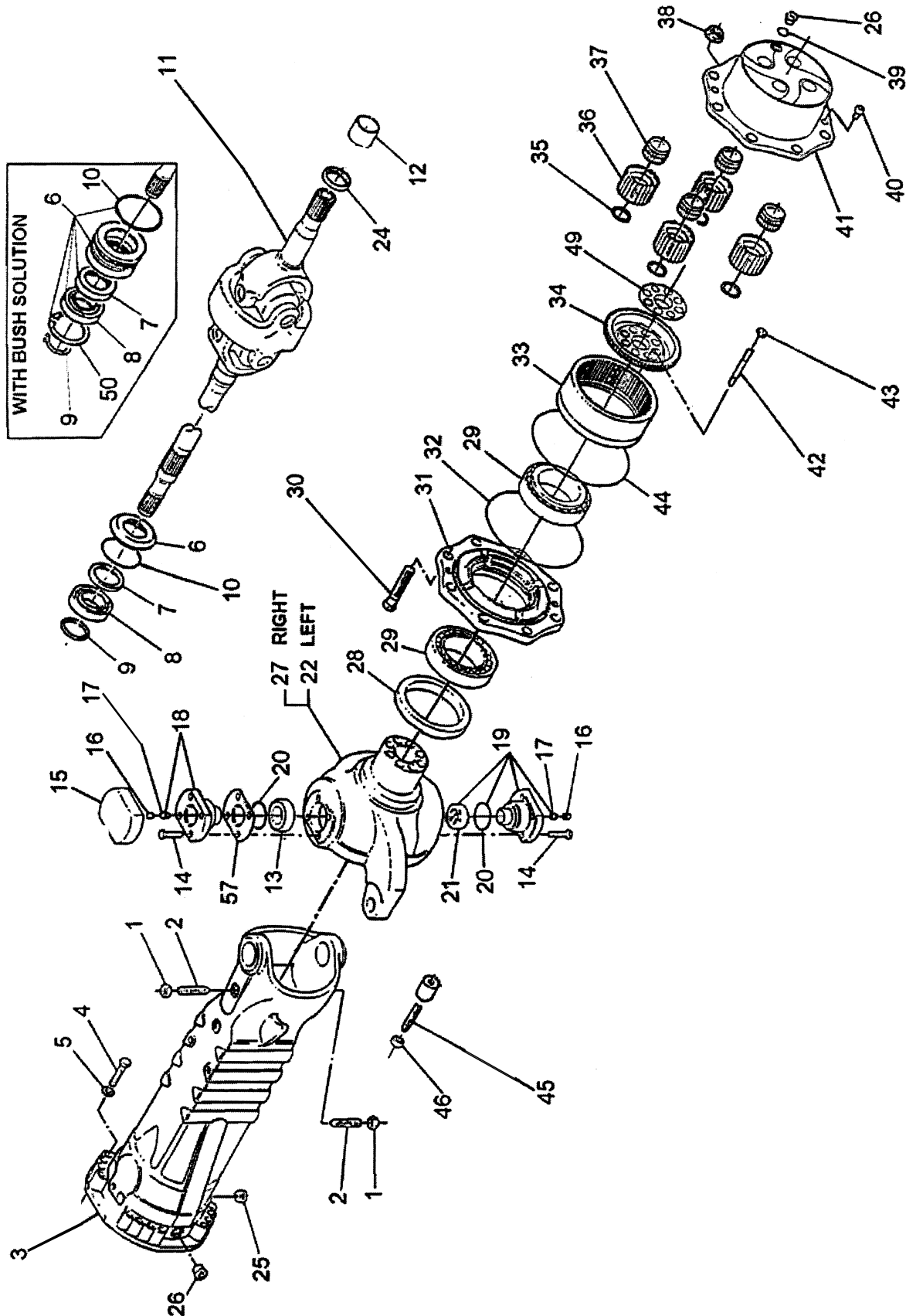




403.1 Axle Differential Assembly, Rear Axle

| Item | Part No.  | Description  | Qty. | Item | Part No.  | Description   | Qty. |
|------|-----------|--|------|------|-----------|---|------|
| 1    | 7-229-528 | O-RING.....  | 1    | 23   | 7-229-554 | PINNION NUT / M20 X 1.5<br>THREAD.....              | 1    |
| 2    | 7-229-530 | SHIM / 0.15mm<br><i>(quantities and thickness vary, refer<br/>to items listed below)</i> |      | 24   | 7-229-555 | CIRCLIP.....  | 4    |
| --   | 7-229-531 | SHIM / 0.20mm  |      | 25   | 7-229-556 | DIFFERENTIAL<br><i>(includes items 9-15 and 24)</i> |      |
| --   | 7-229-532 | SHIM / 0.40mm  |      |      |           |   |      |
| --   | 7-229-533 | SHIM / 0.50mm  |      |      |           |   |      |
| --   | 7-229-548 | SHIM / 0.20mm  |      |      |           |   |      |
| --   | 7-229-557 | SHIM / 0.30mm  |      |      |           |   |      |
| --   | 7-229-558 | SHIM / 0.15mm  |      |      |           |   |      |
| --   | 7-229-559 | SHIM / 0.10mm  |      |      |           |   |      |
| 3    | 7-229-994 | BEVEL GEAR AND PINION<br>ASSEMBLY.....   | 1    |      |           |   |      |
| 4    | 7-229-535 | TAPER ROLLER BEARING.....  | 2    |      |           |   |      |
| 5    | 7-229-536 | RING NUT.....  | 2    |      |           |   |      |
| 6    | 7-229-537 | CYLINDER BOLT.....   | 4    |      |           |   |      |
| 7    | 7-229-538 | CYLINDER BOLT.....   | 2    |      |           |   |      |
| 8    | 7-229-691 | BOLT.....  | 12   |      |           |   |      |
| 9    | 7-229-540 | FRICTION WASHER.....   | 2    |      |           |   |      |
| 10   | 7-229-541 | DIFFERENTIAL SIDE GEAR.....  | 1    |      |           |   |      |
| 11   |           | Ref. Pin.....<br><i>(no longer available)</i>  | 4    |      |           |   |      |
| 12   | 7-229-543 | CIRCLIP.....   | 4    |      |           |   |      |
| 13   | 7-229-544 | FRICTION WASHER.....   | 4    |      |           |   |      |
| 14   |           | Ref. Differential Pinion.....<br><i>(no longer available)</i>                            | 4    |      |           |   |      |
| 15   | 7-229-546 | DIFFERENTIAL CARRIER.....  | 1    |      |           |   |      |
| 16   | 7-229-922 | BEARING ASSY.....<br><i>(replaced 7-229-922)</i>   | 2    |      |           |   |      |
| 17   | 7-229-548 | SHIM / 0.20mm<br><i>(quantities and thickness vary, refer<br/>to items listed below)</i> |      |      |           |   |      |
| --   | 7-229-557 | SHIM / 0.30mm  |      |      |           |   |      |
| --   | 7-229-558 | SHIM / 0.15mm  |      |      |           |   |      |
| --   | 7-229-559 | SHIM / 0.10mm  |      |      |           |   |      |
| 18   | 7-229-549 | SPACER.....  | 1    |      |           |   |      |
| 19   | 7-229-550 | RING NUT.....  | 1    |      |           |   |      |
| 20   | 7-229-551 | SEAL.....  | 1    |      |           |   |      |
| 21   |           | Ref.<br><i>(not used on this model)</i>  |      |      |           |   |      |
| 22   | 7-229-943 | FLANGE.....  | 1    |      |           |   |      |

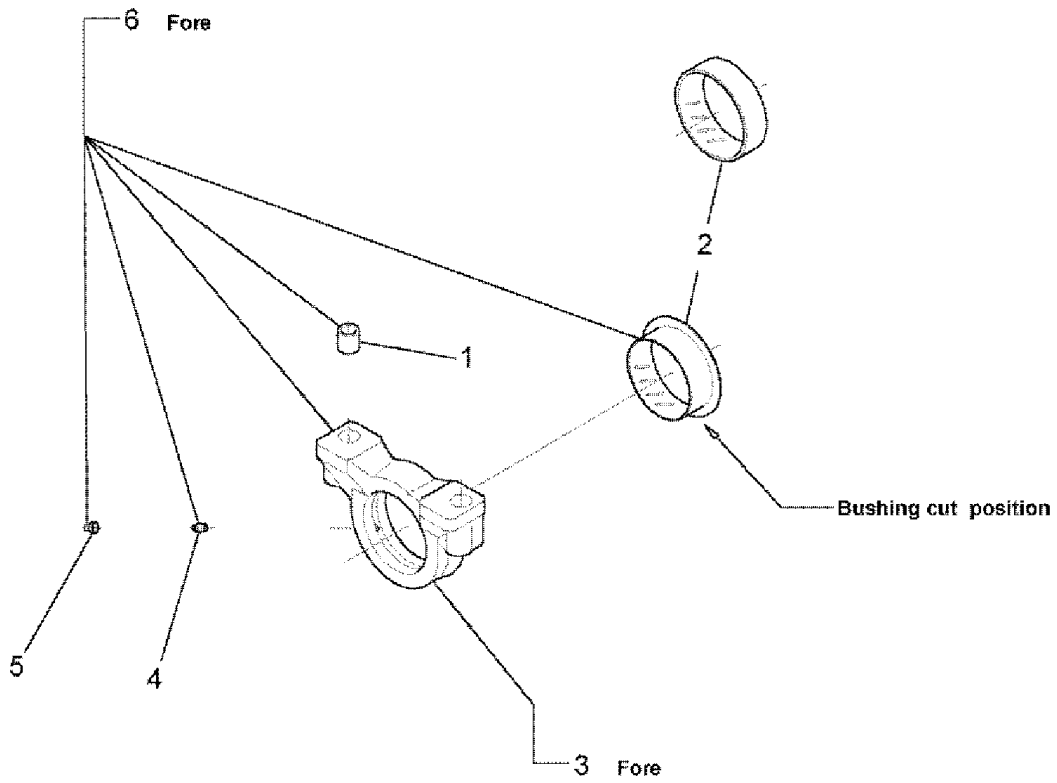
404.1 Axle Steering Assembly, Front and Rear Axle



## 404.1 Axle Steering Assembly, Front and Rear Axle

| Item | Part No.  | Description  | Qty. | Item | Part No.  | Description  | Qty. |
|------|-----------|--|------|------|-----------|--|------|
| 1    | 7-229-623 | NUT.....   | 2    | 33   | 7-229-587 | RING GEAR.....   | 2    |
| 2    | 7-229-624 | SCREW.....   | 2    | --   | 7-229-956 | RING GEAR SUPPORT ASSY.....<br><i>(front) (includes items 33, 34 and 44)</i>       | 2    |
| 3A   | 7-229-946 | AXLE CASE.....<br><i>(front)</i>   | 2    | 34   | 7-229-588 | RING GEAR SUPPORT.....   | 2    |
| 3B   | 7-229-677 | AXLE CASE<br><i>(rear)</i>   |      | 35   | 7-229-589 | CIRCLIP.....   | 8    |
| 4    | 7-229-947 | BOLT.....  | 32   | 36   | 7-229-590 | PLANET GEAR.....   | 8    |
| 6    | 7-229-562 | REDUCTION BUSHING.....   | 2    | 37   | 7-229-591 | BEARING.....   | 8    |
| 7    | 7-229-563 | SEAL.....  | 2    | 38   | 7-229-592 | WHEEL NUT.....   | 20   |
| 8    | 7-229-564 | BALL BEARING.....  | 2    | 40   | 7-229-681 | BOLT / COUNTERSUNK.....  | 4    |
| 9    | 7-229-565 | CIRCLIP.....   | 2    | 41A  | 7-229-952 | PLANET GEAR CARRIER ASSY.....<br><i>(front) (includes items 35-37 and 41)</i>      | 2    |
| 10   | 7-229-566 | O-RING.....  | 2    | --   | 7-229-931 | PLANET GEAR CARRIER.....   | 2    |
| 11   | 7-229-567 | UNIVERSAL JOINT.....   | 2    | 41B  | 7-229-683 | PLANET GEAR CARRIER ASSY<br><i>(rear) (includes items 35-37, 41 and 44)</i>        |      |
| 12   | 7-229-568 | THRUST BUSHING.....  | 2    | --   | 7-229-931 | PLANET GEAR CARRIER.....   | 2    |
| 13   | 7-229-569 | OUTER RACE.....<br><i>(replaced 7-229-948)</i>                                   | 2    | 42   | 7-229-595 | STUD.....  | 16   |
| 14   | 7-229-691 | BOLT.....<br><i>(replaced 7-229-539)</i>   | 20   | 43   | 7-229-596 | NUT.....   | 16   |
| 15   | 7-229-570 | COVER.....   | 2    | 44   | 7-229-597 | CIRCLIP.....   | 2    |
| 16   | 7-229-571 | PLUG.....  | 4    | 45   | 7-229-823 | BOLT.....  | 4    |
| 17   | 7-229-572 | GREASE FITTING.....  | 2    | --   | 7-229-956 | RING GEAR SUPPORT ASSY.....<br><i>(front) (includes items 33, 34 and 44)</i>       | 2    |
| 18   | 7-229-573 | PIVOT PIN.....<br><i>(includes item 17)</i>                                      | 2    | 46   | 7-229-599 | NUT.....   | 4    |
| 19   | 7-229-574 | PIVOT PIN<br><i>(includes items 17, 20 and 21)</i>                               |      | 49   | 7-229-600 | LOCKING PLATE.....   | 2    |
| 20   | 7-229-575 | SEAL.....  | 2    | 50   | 7-229-601 | CIRCLIP.....   | 2    |
| 21   | 7-229-576 | ARTICULATION.....  | 2    | 57   | 7-229-602 | SHIM / 0.15mm<br><i>(quantity and thickness vary, refer to items listed below)</i> |      |
| 22   | 7-229-678 | STEERING CASE / LH.....<br><i>(right front and left rear) (includes item 12)</i> | 1    | --   | 7-229-603 | SHIM / 0.20MM  |      |
| 24   | 7-229-578 | SEAL.....  | 2    | --   | 7-229-604 | SHIM / 0.50mm  |      |
| 25   | 7-229-580 | MAGNETIC PLUG.....<br><i>(replaced 7-229-527)</i>                                | 2    |      |           |  |      |
| 26   | 7-229-526 | PLUG.....  | 4    |      |           |  |      |
| 27   | 7-229-679 | STEERING CASE / RH.....<br><i>(left front and right rear) (includes item 12)</i> | 1    |      |           |  |      |
| 28   | 7-229-582 | SEAL.....<br><i>(replaced 7-229-951)</i>   | 2    |      |           |  |      |
| 29   | 7-229-583 | BEARING.....   | 4    |      |           |  |      |
| 30   | 7-229-692 | WHEEL STUD.....  | 20   |      |           |  |      |
| 31   | 7-229-680 | WHEEL HUB.....   | 2    |      |           |  |      |
| 32   | 7-229-586 | O-RING.....  | 2    |      |           |  |      |

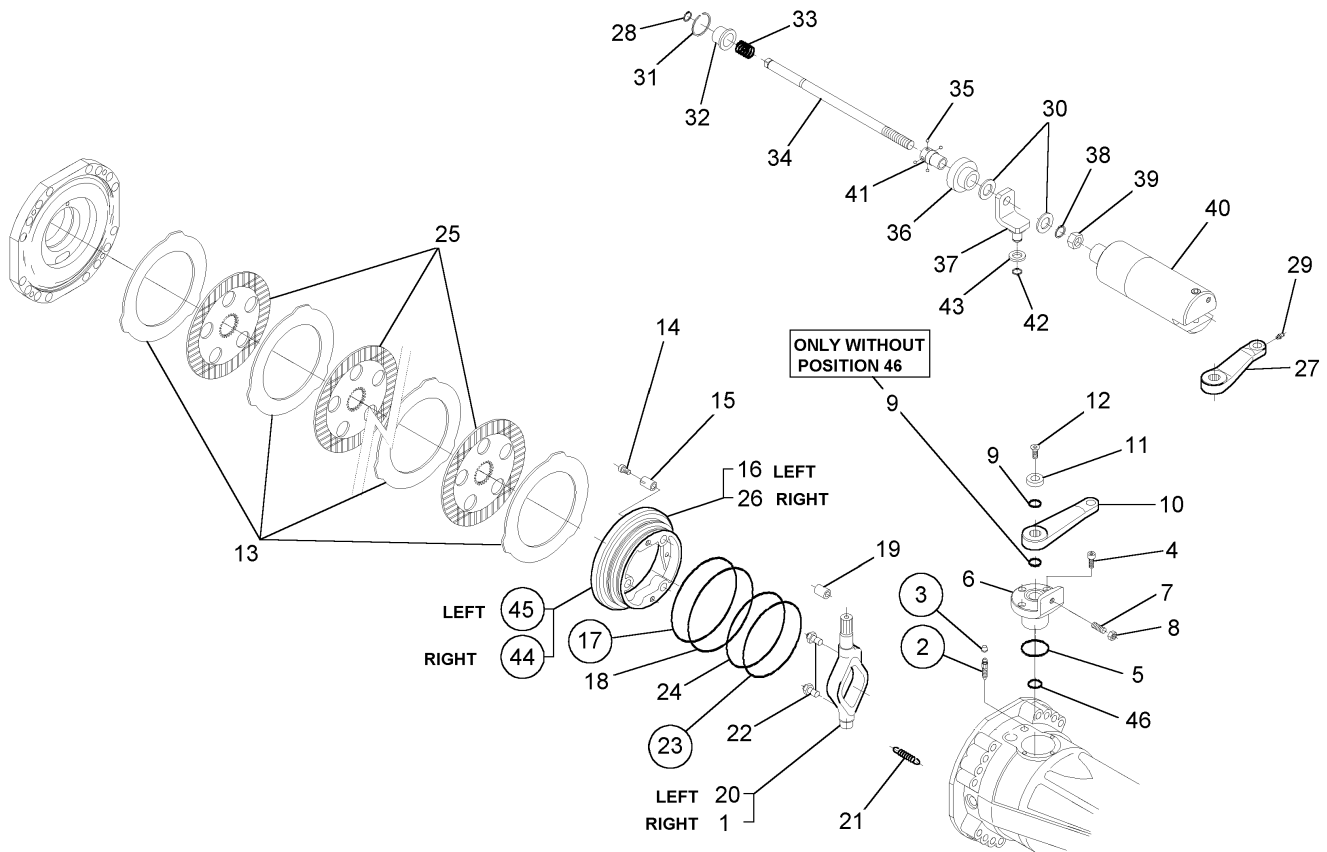
405.1 Trunnion Mount Assembly, Front and Rear



405.1 Trunnion Mount Assembly, Front and Rear

| Item | Part No.  | Description            | Qty. |
|------|-----------|------------------------|------|
| 1    | 7-229-620 | REDUCTION BUSHING..... | 4    |
| 2    | 7-229-621 | THRUST BUSHING.....    | 2    |
| 3    | 7-229-622 | SUPPORT.....           | 2    |
| 4    | 7-229-572 | GREASE FITTING.....    | 2    |
| 5    | 7-229-571 | PLUG.....              | 2    |

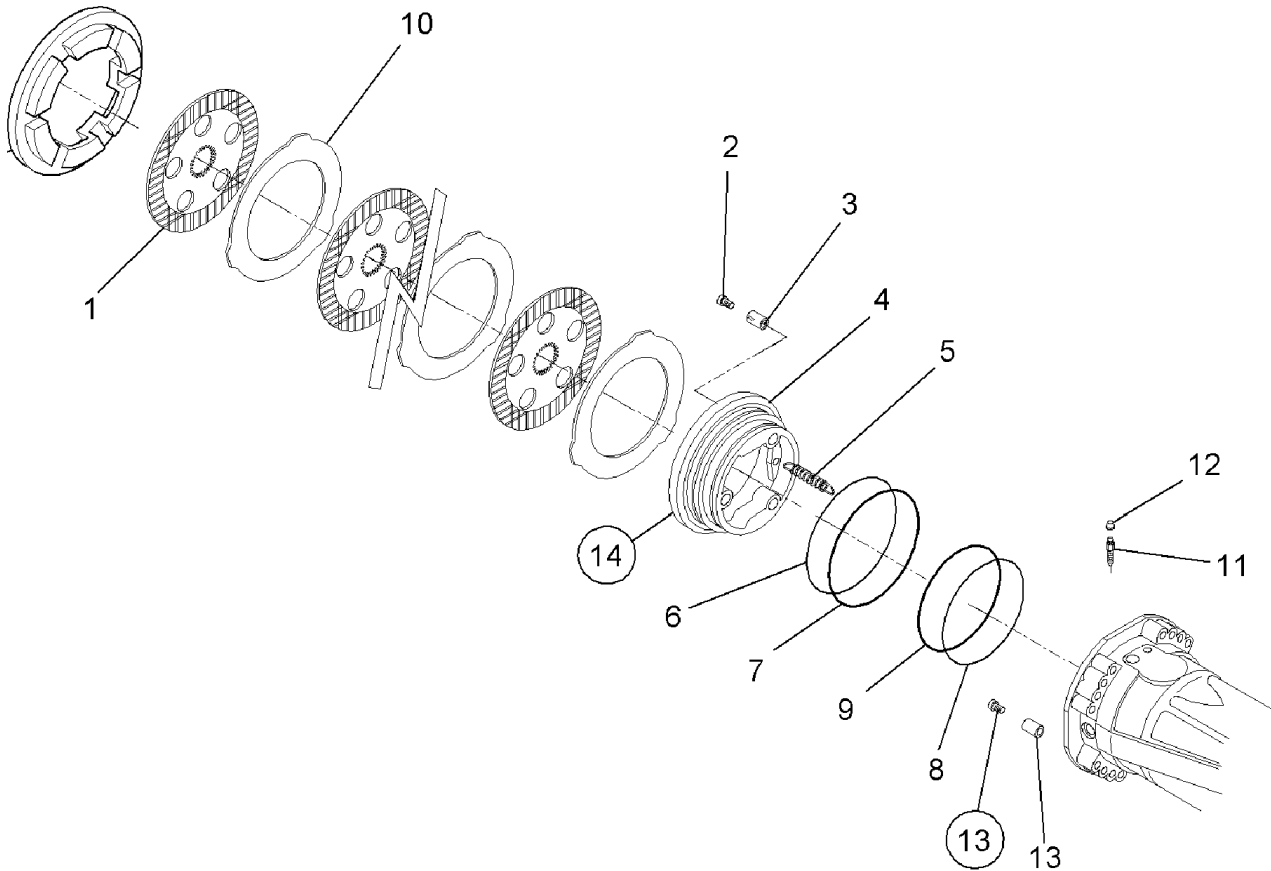
406.1 Service Brakes and Parking Brakes, Front Axle



## 406.1 Service Brakes and Parking Brakes, Front Axle

| Item | Part No.  | Description                                 | Qty. | Item | Part No.  | Description  | Qty. |
|------|-----------|---|------|------|-----------|--|------|
| 1    | 7-229-957 | LEVER / RH.....                             | 1    | 36   | 7-229-982 | REDUCTION BUSHING.....   | 1    |
| 2    | 7-229-615 | BLEEDING BOLT.....<br>(optional)            | 2    | 37   | 7-229-983 | SUPPORT.....   | 1    |
| 3    | 7-229-571 | PLUG.....<br>(optional)                     | 2    | 38   | 7-229-984 | CIRCLIP.....   | 1    |
| 4    | 7-229-958 | BOLT / CYLINDER.....                        | 6    | 39   | 7-229-985 | NUT.....   | 1    |
| 5    | 7-229-959 | O-RING.....                                 | 2    | 40   | 7-229-986 | WHEEL CYLINDER.....  | 1    |
| 6    | 7-229-960 | BUSHING/REDUCTION.....                      | 2    | --   | 1255248   | SCREW,CAP,16X20X79.5MM,3STEP   |      |
| 7    | 7-229-961 | BOLT / GRUB.....                            | 2    | 41   | 7-229-987 | BUSHING / REDUCTION.....   | 1    |
| 8    | 7-229-962 | NUT.....                                    | 2    | 42   | 7-229-988 | CIRCLIP.....   | 1    |
| 9    | 7-229-963 | O-RING.....                                 | 2    | 43   | 7-229-989 | SPACER.....  | 1    |
| 10   | 7-229-964 | LEVER.....                                  | 1    | 44   | 7-229-990 | PISTON ASSY / RH.....<br>(includes items 15, 17, 18, 22, 23, 24<br>and 26) | 1    |
| 11   | 7-229-965 | WASHER.....                                 | 2    | 45   | 7-229-991 | PISTON ASSY LH.....<br>(includes items 15-18 and 18-24)                    | 1    |
| 12   | 7-229-966 | BOLT / COUNTERSUNK.....                     | 2    | 46   | 7-229-803 | O-RING.....  | 2    |
| 13   | 7-229-614 | INTERMEDIATE BRAKE DISC.....                | 8    |      |           |  |      |
| 14   | 7-229-606 | ADJUSTING BOLT.....                         | 6    |      |           |  |      |
| 15   | 7-229-607 | SPRING.....<br>(replaced 7-229-967)         | 6    |      |           |  |      |
| 16   | 7-229-991 | PISTON ASSY LH.....<br>(replaced 7-229-968) | 1    |      |           |  |      |
| 17   | 7-229-610 | BACK-UP RING.....<br>(optional)             | 2    |      |           |  |      |
| 18   | 7-229-611 | O-RING.....                                 | 2    |      |           |  |      |
| 19   | 7-229-969 | DOWEL.....                                  | 2    |      |           |  |      |
| 20   | 7-229-970 | LEVER/LH.....                               | 1    |      |           |  |      |
| 21   | 7-229-609 | SPRING.....                                 | 6    |      |           |  |      |
| 22   | 7-229-971 | PUSHER.....                                 | 4    |      |           |  |      |
| 23   | 7-229-612 | BACK-UP RING.....<br>(optional)             | 2    |      |           |  |      |
| 24   | 7-229-613 | O-RING.....                                 | 2    |      |           |  |      |
| 25   | 7-229-605 | BRAKE DISC.....                             | 6    |      |           |  |      |
| 26   | 7-229-972 | PISTON / RH.....                            | 1    |      |           |  |      |
| 27   | 7-229-973 | LEVER.....                                  | 1    |      |           |  |      |
| 28   | 7-229-974 | CIRCLIP.....                                | 1    |      |           |  |      |
| 29   | 7-229-975 | GREASE FITTING.....                         | 2    |      |           |  |      |
| 30   | 7-229-976 | WASHER.....                                 | 2    |      |           |  |      |
| 31   | 7-229-977 | SNAP RING.....                              | 1    |      |           |  |      |
| 32   | 7-229-978 | REDUCTION BUSHING.....                      | 1    |      |           |  |      |
| 33   | 7-229-979 | SPRING.....                                 | 1    |      |           |  |      |
| 34   | 7-229-980 | BRAKE CAM.....                              | 1    |      |           |  |      |
| 35   | 7-229-981 | DETENT BALL.....                            | 4    |      |           |  |      |

407.1 Disc Brake Assembly, Rear Axle

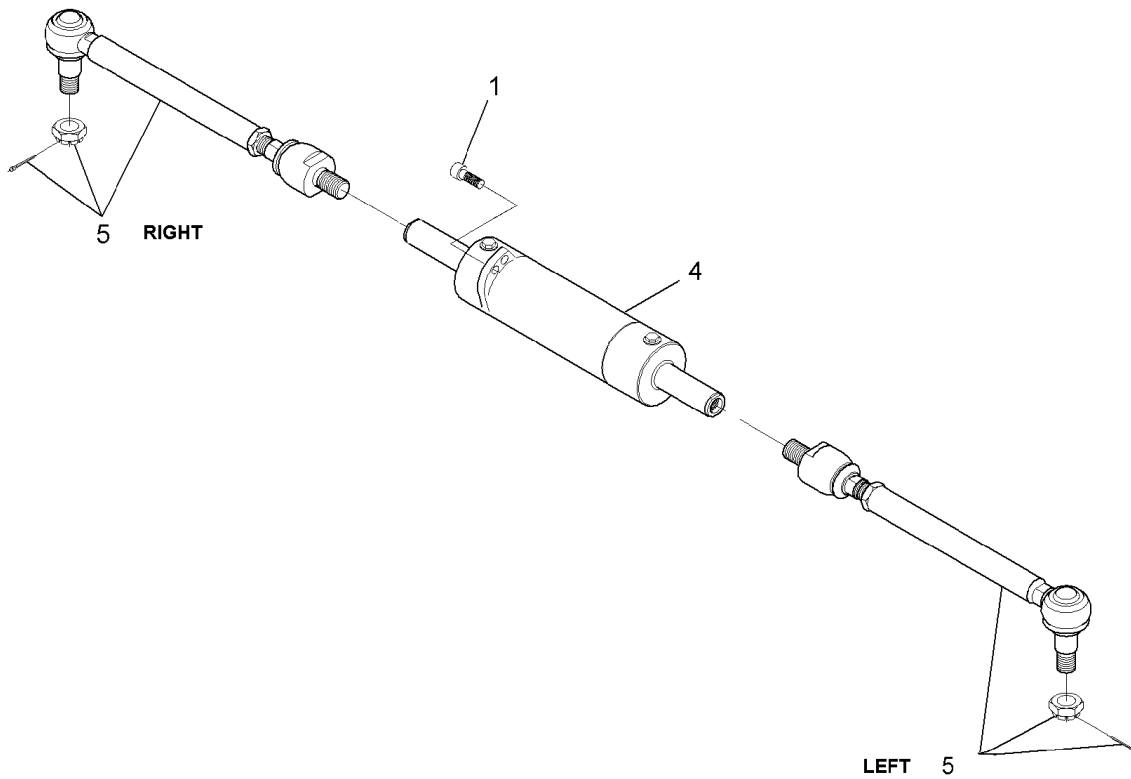




407.1 Disc Brake Assembly, Rear Axle

| Item | Part No.  | Description  | Qty. |
|------|-----------|--|------|
| 1    | 7-229-605 | BRAKE DISC.....  | 6    |
| 2    | 7-229-606 | ADJUSTING BOLT.....                                      | 6    |
| 3    | 7-229-607 | SPRING.....<br><i>(replaced 7-229-967)</i>               | 6    |
| 4    | 7-229-617 | PISTON ASSY.....<br><i>(replaced 7-229-608)</i>          | 2    |
| 5    | 7-229-609 | SPRING.....  | 6    |
| 6    | 7-229-610 | BACK-UP RING.....  | 2    |
| 7    | 7-229-611 | O-RING.....  | 2    |
| 8    | 7-229-612 | BACK-UP RING.....  | 2    |
| 9    | 7-229-613 | O-RING.....  | 2    |
| 10   | 7-229-614 | INTERMEDIATE BRAKE DISC.....                             | 8    |
| 11   | 7-229-615 | BLEEDING BOLT.....                                       | 2    |
| 12   | 7-229-571 | PLUG.....  | 2    |
| 13   | 7-229-969 | DOWEL.....<br><i>(optional)</i>                          | 2    |
| 14   | 7-229-617 | PISTON ASSY.....<br><i>(includes items 3, 4 and 6-9)</i> | 2    |

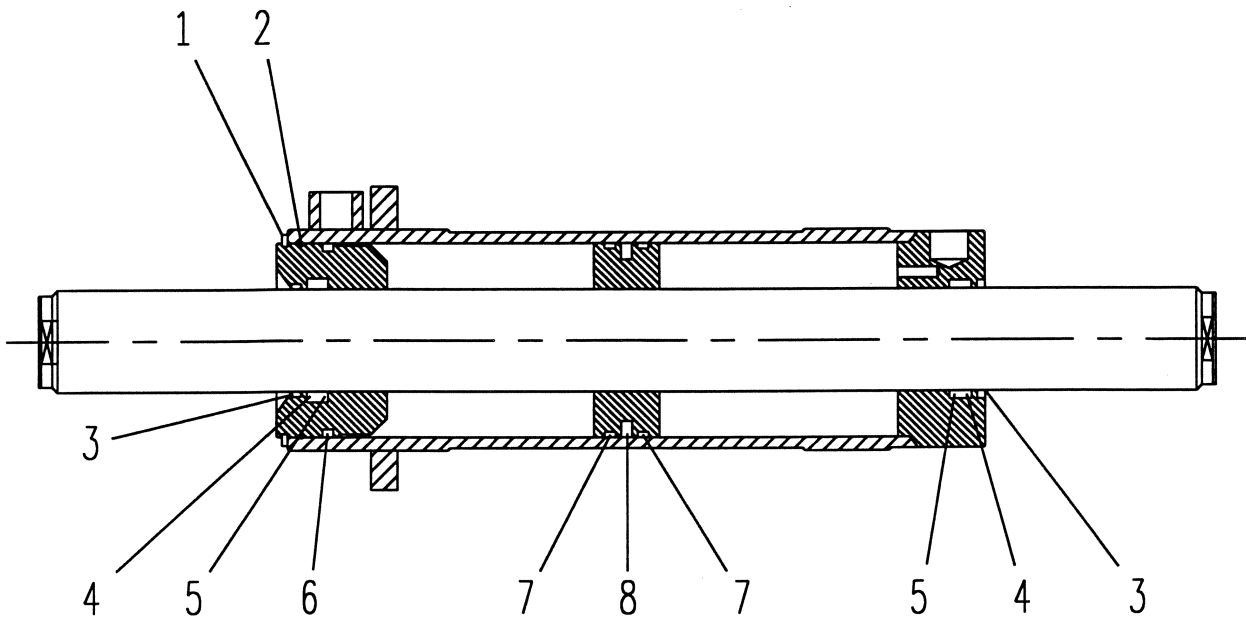
408.1 Steering Arm Assembly, Front and Rear



## 408.1 Steering Arm Assembly, Front and Rear

| Item | Part No.  | Description   | Qty. |
|------|-----------|---|------|
| 1    | 7-229-618 | CYLINDER BOLT   |      |
| 4    |           | Ref. CYLINDER<br><i>(refer to 409.1)</i>  |      |
| 5    | 7-229-669 | ARTICULATED TIE ROD<br><i>(articulated tie rod, RH and LH)(part<br/>needs to be verified)</i> |      |

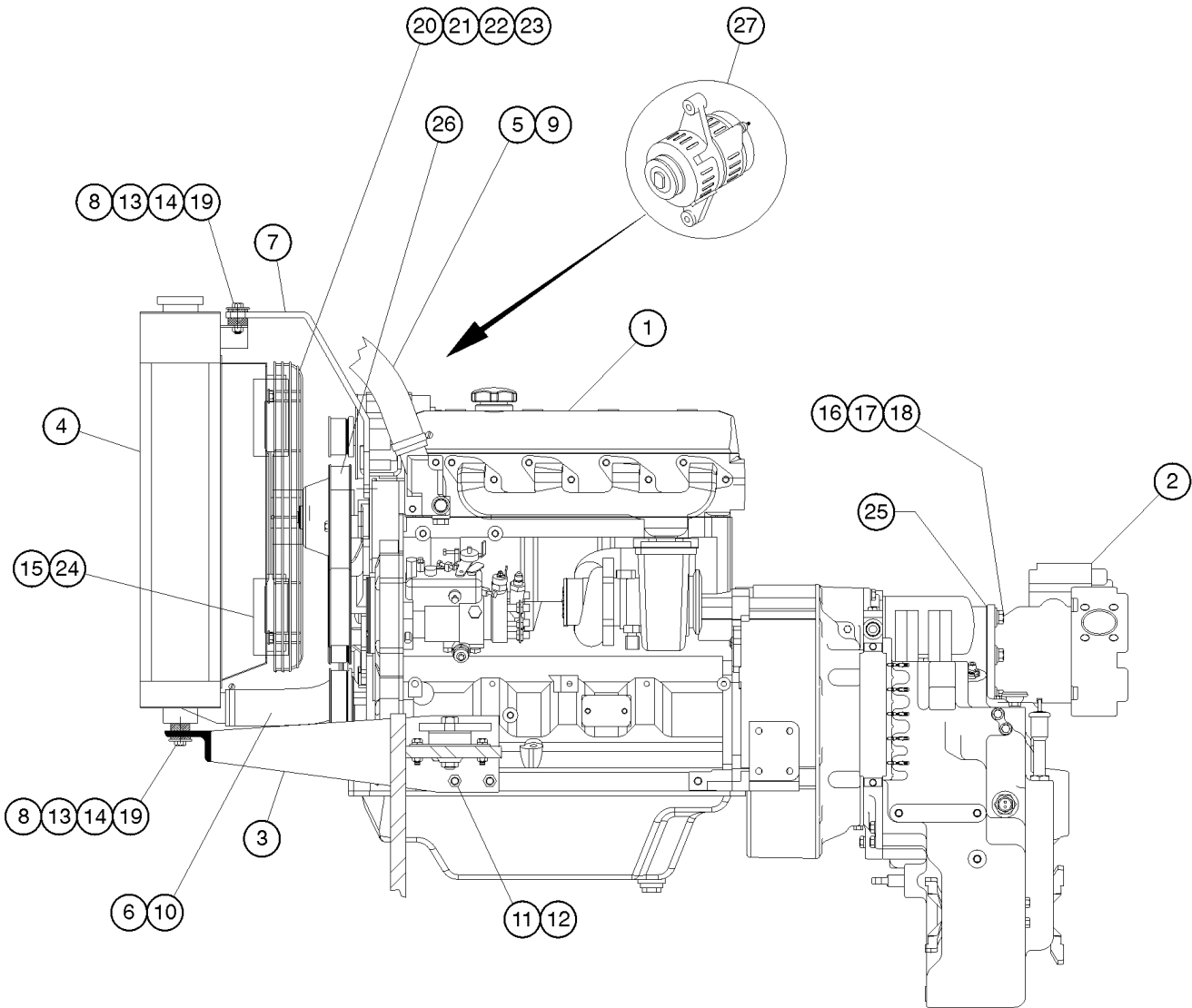
409.1 Steering Cylinder Assembly, Front and Rear Axle



409.1 Steering Cylinder Assembly, Front and Rear Axle

| Item | Part No.  | Description   | Qty. |
|------|-----------|---|------|
| --   | 7-229-619 | CYLINDER.....   | 1    |
| --   | 7-900-88  | SEAL KIT / CYLINDER.....<br><i>(includes items 1-8)</i> | 2    |
| 1    |           | Ref. SNAP RING.....                                     | 1    |
| 2    |           | Ref. STOP RING.....                                     | 2    |
| 3    |           | Ref. WIPER.....   | 2    |
| 4    |           | Ref. SEAL.....  | 2    |
| 5    |           | Ref. BACK-UP RING.....                                  | 2    |
| 6    |           | Ref. WEAR RING.....                                     | 1    |
| 7    |           | Ref. PISTON RING.....                                   | 2    |
| 8    |           | Ref. PISTON SEAL.....                                   | 1    |

501.1 Engine and pump Assembly, JD-4045

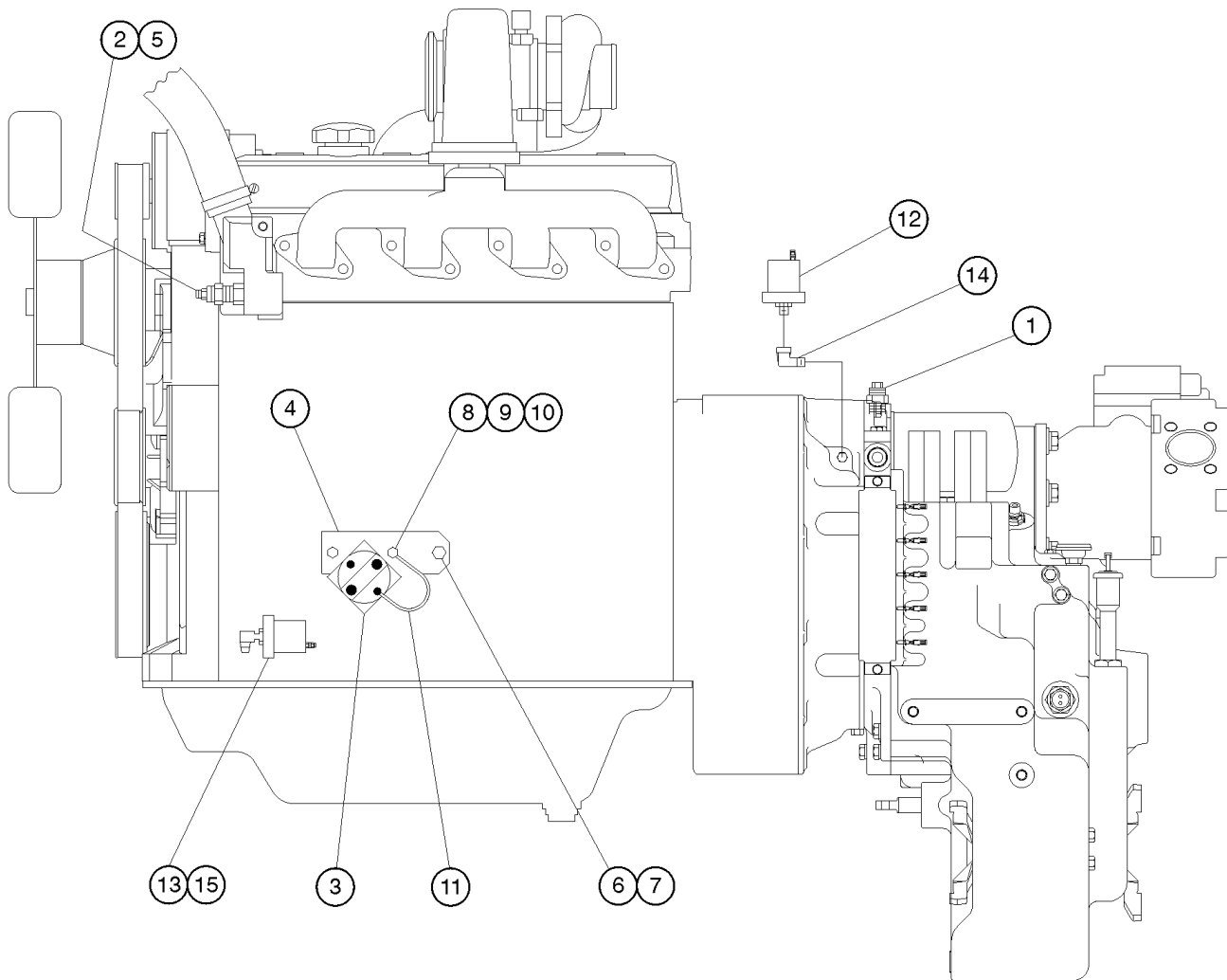


501.1 Engine and pump Assembly, JD-4045

| Item | Part No.  | Description  | Qty. | Item | Part No.  | Description                             | Qty. |
|------|-----------|--|------|------|-----------|---|------|
| 1A   | 115328    | FUEL FILTER,PRIMARY,JD-4045....1   |      | 18   | 6033      | WASHER,LOCK,0.5".....4                  |      |
| 1A   | 7-183-224 | ENGINE ASSY,JD-4045TF270.....1<br><i>(tier 2) (to SN GTH0808A-12354)</i>   |      | 19   | 15086     | WASHER,FLAT,.375 X 1.5 X .125....3      |      |
| --   | 108528    | ENGINE&PUMP ASSY,DEUTZ-2012  |      | 20   | 4-1685    | FAN GUARD,18".....1                     |      |
| --   | 130913    | HARNESS,ENGINE,TIER III 99HP<br><i>(ECM to Engine)</i>   |      | 21   | 6-5205-08 | SCREW,HHC,5/16-18X1.....4               |      |
| --   | 7-183-184 | OIL FILTER/ENGINE  |      | 22   | 6886      | WASHER,LOCK,..313.....4                 |      |
| 1B   | 130815    | ENG PKG ASSY,JD<br>TIER3,644-8XX.....1<br><i>(from SN GTH0808A-12355)</i>  |      | 23   | 19934     | WASHER,3/8<br>HARD.STEEL-FLAT,USS.....4 |      |
| --   | 130816    | HARNESS, TIER 3 ADAPTER  |      | 24   | 7-183-96  | SPACER,FAN,2" W/ENGINE.....Ref.         |      |
| 1C   | 7-126-767 | TRANSMISSION<br>ASSEMBLY/DEUTSCH   |      | 25   | 7-126-517 | GASKET,PUMP,DRIVE.....1                 |      |
| 2    | 229053    | PUMP ASSEMBLY,SAUER 8K.....1<br><i>(replaced 7-345-113) (7-345-113<br/>replaced 7-112-05) (refer to 717.1 and<br/>718.1 for parts list of pump 7-112-05)</i> |      | 26A  | 7-183-200 | FAN BELT.....1                          |      |
| --   | 234953    | KIT, SAUER PUMP, 8K<br><i>KIT INCLUDES PUMP AND<br/>ADAPTER HARNESS 234927</i>   |      | 26B  | 130914    | FAN BELT,99 HP,W/AC COMP                |      |
| --   | 7-112-63  | SEAL KIT / PUMP OVERHAUL   |      | 27   | 130943    | ALTERNATOR,95 AMP,JD.....1              |      |
| 3A   | 108527    | WELDMENT,ENG/RAD<br>MOUNT,JD4045.....1<br><i>(front)</i>   |      |      |           |   |      |
| 3B   | 108579    | WELDMENT,ENG/RAD<br>MOUNT,DEUTZ<br><i>(rear)</i>   |      |      |           |   |      |
| 4    | 7-183-146 | RADIATOR w/ SHROUD.....1   |      |      |           |   |      |
| --   | 123932    | COOLANT RECOVERY BOTTLE,<br>GTH.....1  |      |      |           |   |      |
| --   | 234850    | RADIATOR CAP.....1   |      |      |           |   |      |
| 5    | 7-158-72  | RADIATOR HOSE,UPPER.....1  |      |      |           |   |      |
| 6    | 7-158-73  | RADIATOR HOSE,LOWER.....1  |      |      |           |   |      |
| 7    | 4-2065    | UPPER RADIATOR MOUNT.....1   |      |      |           |   |      |
| 8    | 7-190-04  | MOUNT,RUBBER,CENTER,BONDED.3   |      |      |           |   |      |
| 9    | 6-6252-07 | CLAMP,RADIATOR HOSE.....2  |      |      |           |   |      |
| 10   | 6-6252-09 | CLAMP,RADIATOR HOSE.....2  |      |      |           |   |      |
| 11   | 6-8112-35 | SCREW,12MM X 1.75X35MM.....6   |      |      |           |   |      |
| 12   | 49409     | WASHER,LOCK,M12.....6  |      |      |           |   |      |
| 13   | 6-5206-16 | SCREW,HHC,3/8-16X2.0,GR8.....3   |      |      |           |   |      |
| 14   | 4828      | NUT,NYLOCK,3/8-16.....3  |      |      |           |   |      |
| 15   | 7-183-38  | FAN,BLOWER,18-INCHES.....Ref.  |      |      |           |   |      |
| 16   | 6-5208-20 | SCREW,HHC,1/2-13X2 1/2.....4   |      |      |           |   |      |
| 17   | 6-6212-08 | WASHER,FLAT,USS,1/2",Y.....4   |      |      |           |   |      |



502.1 Starter Relay, Sender Assembly, JD-4045

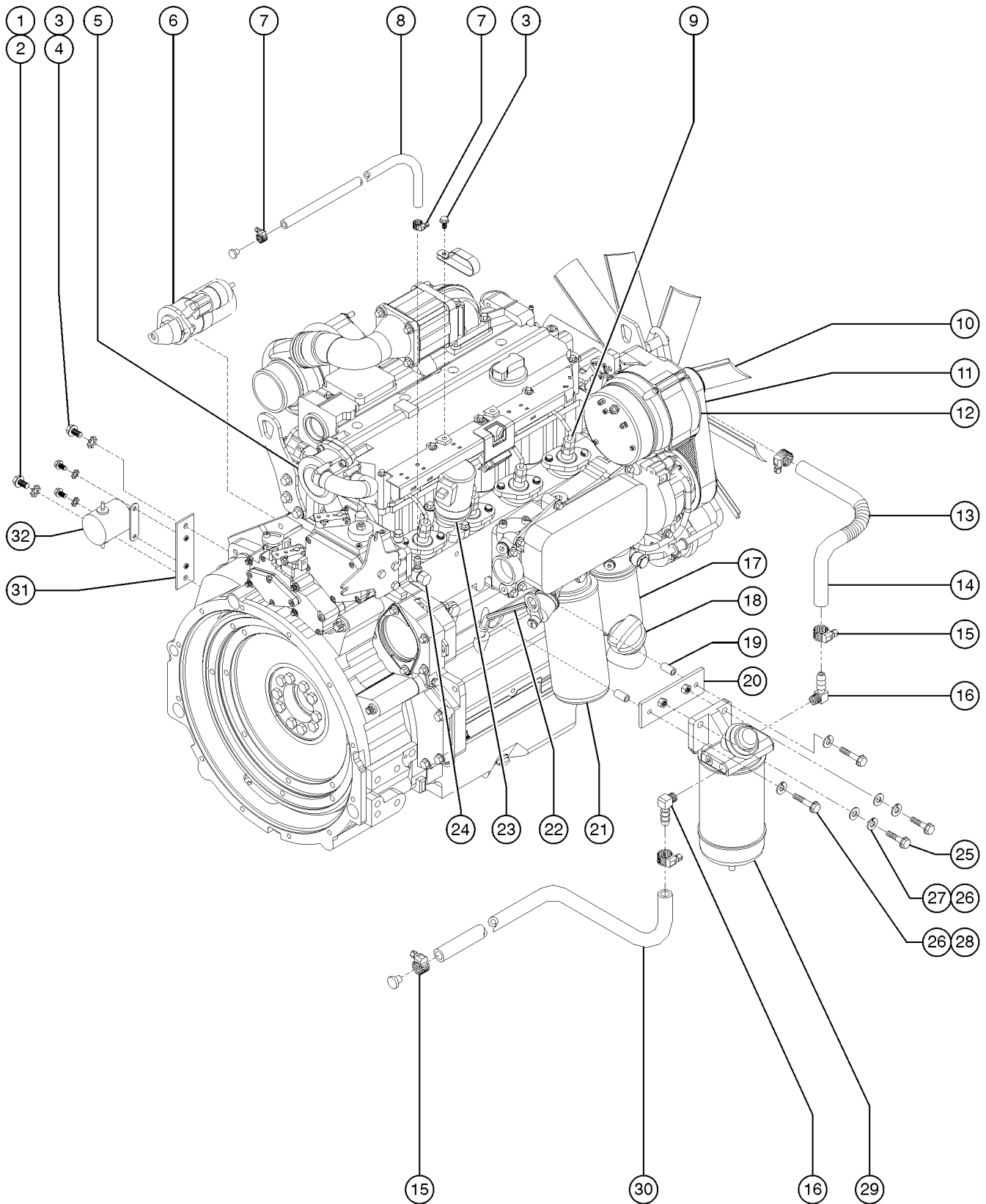




## 502.1 Starter Relay, Sender Assembly, JD-4045

| Item | Part No.  | Description   | Qty. |
|------|-----------|---|------|
| 1    | 7-169-12  | SENDER, TRANSMISSION OIL<br>TEMP.....                         | 1    |
| 2    | 102058    | SENSOR, COOLANT TEMP.....<br>(single wire)                    | 1    |
| 3    | 7-319-21  | STARTER RELAY.....  | 1    |
| --   | 117681    | DIODE/HARNESS.....  | 1    |
| 4    | 1-1024    | MOUNT / STARTER RELAY.....                                    | 1    |
| 5    | 6-6406-04 | REDUCER BUSHING.....  | 1    |
| 6    | 6-8514-25 | CAPSCREW / HEX HEAD.....                                      | 1    |
| 7    | 37505     | WASHER, LOCK, M14.....  | 1    |
| 8    | 6-5204-04 | SCREW, HHC, 1/4-20X.5, GR8.....                               | 2    |
| 9    | 6356      | WASHER, LOCK, .25.....  | 2    |
| 10   | 6-6212-04 | WASHER, FLAT, .250,<br>HARDENED.....                          | 2    |
| 11   | 1-1094    | GROUND WIRE.....  | 1    |
| 12   | 7-169-11  | SENDER, TRANSMISSION OIL<br>PRESS.....<br>(2 prong connector) | 1    |
| 13   | 6-6422-01 | FITTING.....  | 1    |
| 14   | 6-6422-01 | FITTING.....  | 1    |
| 15   | 7-169-09  | SENDER, ENGINE OIL<br>PRESSURE.....                           | 1    |

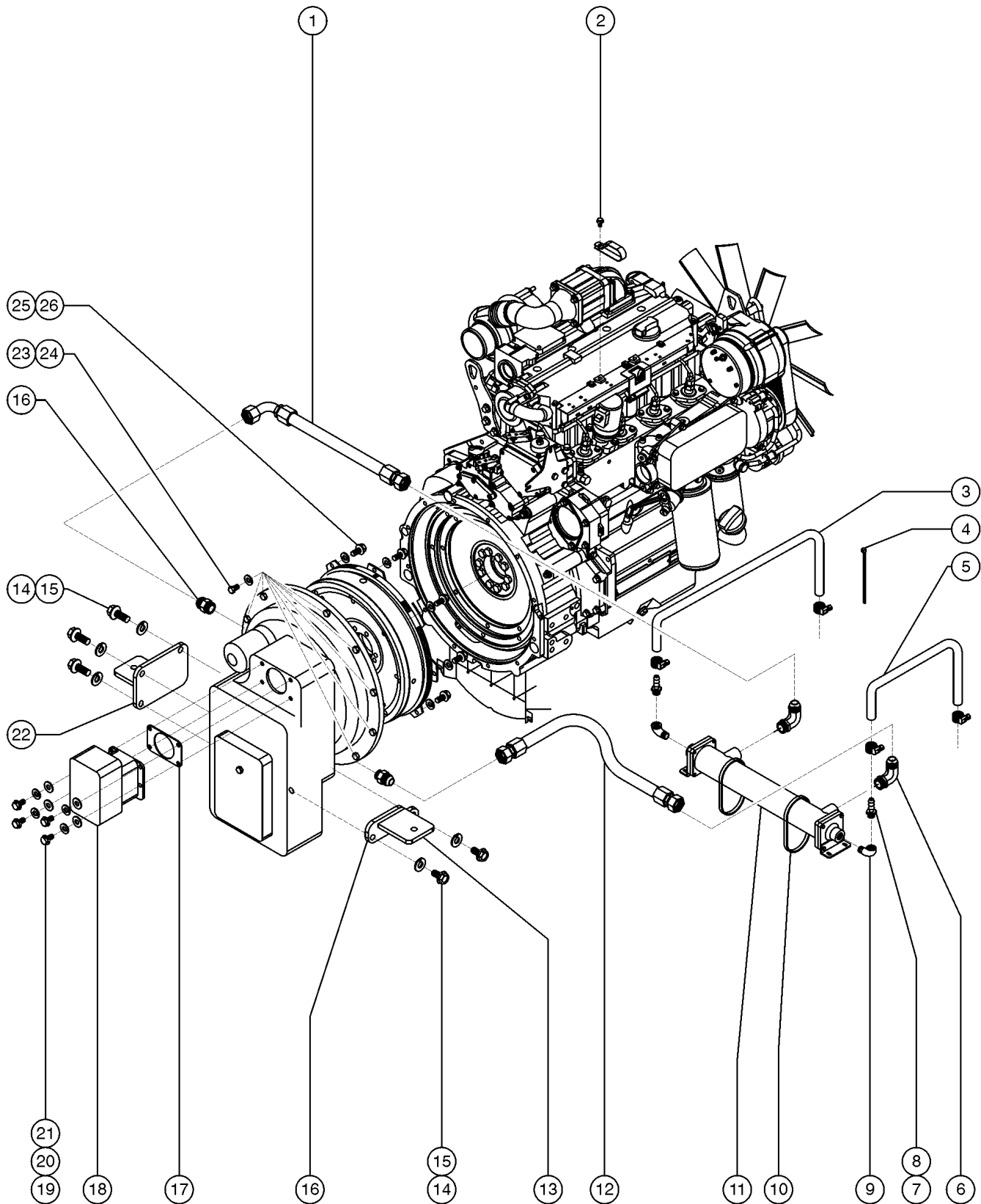
503.1 Engine Assembly, Deutz BF42012, View 1



503.1 Engine Assembly, Deutz BF42012, View 1

| Item | Part No. | Description   | Qty. | Item | Part No. | Description                                | Qty. |
|------|----------|---|------|------|----------|--|------|
| --   | 108744   | MANUAL PACK,DEUTZ,TH  |      | 29   | 7-202-05 | ENGINE FUEL PRE-FILTER.....1               |      |
| --   | 108745   | MANUAL,DEUTZ BF42012 PARTS                                      |      | 30   | 130010   | FUEL SUPPLY LINE,1/2<br>INCH.....84-inches |      |
| --   | 108746   | MANUAL, DEUTZ BF42012<br>OPERATOR                               |      | 31   | 130000   | RELAY MOUNT<br>BRACKET,DEUTZ.....1         |      |
| --   | 7-202-01 | ENGINE,DEUTZ,99HP,BF4M2012                                      |      | 32   | 130001   | STARTER RELAY,12V,DEUTZ.....1              |      |
| 1    | 130002   | SCREW,FLANGE HEAD,10-24.....2                                   |      |      |          |  |      |
| 2    | 73613    | WASHER,STAR,#10,PLTD  |      |      |          |  |      |
| 3    | 130004   | SCREW,HHCS,M8 X 20MM  |      |      |          |  |      |
| 4    | 130005   | STAR WASHER,M8  |      |      |          |  |      |
| 5    | 130003   | COOLANT TEMP SENSOR.....1                                       |      |      |          |  |      |
| 6    | 75391    | STARTER, DEUTZ F4L913   |      |      |          |  |      |
| 7    | 130006   | HOSE CLAMP,SAE #4.....2   |      |      |          |  |      |
| 8    | 130007   | FUEL SUPPLY LINE,3/8 INCH                                       |      |      |          |  |      |
| 9    | 108542   | INJECTOR / FUEL.....4   |      |      |          |  |      |
| 10   | 123595   | FAN/ENGINE/DEUTZ BF4M 2012...1                                  |      |      |          |  |      |
| 11   | 108549   | BELT / V-RIBBED.....1   |      |      |          |  |      |
| 12   | 108556   | ALTERNATOR.....1  |      |      |          |  |      |
| 13   | 130009   | LOOM,3/4 INCH.....9-inches                                      |      |      |          |  |      |
| 14   | 130010   | FUEL SUPPLY LINE,1/2<br>INCH.....36-inches                      |      |      |          |  |      |
| 15   | 130011   | HOSE CLAMP, SAE #6.....4  |      |      |          |  |      |
| 16   | 130012   | HOSE BARB ELBOW, 1/2 X 3/8.....2                                |      |      |          |  |      |
| 17   | 108543   | FILTER / FUEL / SPIN-ON.....1                                   |      |      |          |  |      |
| --   | 58566    | FILTER HEAD (29560)<br><i>plastic</i>                           |      |      |          |  |      |
| 18   | 108540   | CAP / FILLER.....1  |      |      |          |  |      |
| 19   | 130018   | BUSHING.....2   |      |      |          |  |      |
| 20   | 130019   | REMOTE FUEL FILTER MOUNT<br>PLATE.....1                         |      |      |          |  |      |
| 21   | 108541   | FILTER / ENGINE OIL / SPIN-ON...1                               |      |      |          |  |      |
| 22   | 108532   | DIPSTICK,DEUTZ-BF4M2012.....1                                   |      |      |          |  |      |
| 23   | -        | SHUT OFF SOLENOID.....1<br><i>Component no longer available</i> |      |      |          |  |      |
| 24   | 130015   | BANJO BOLT,FUEL SUPPLY LINE                                     |      |      |          |  |      |
| --   | 214425   | BANJO<br><i>Used with P/N 130015</i>                            |      |      |          |  |      |
| --   | 214426   | SEAL RING<br><i>Used with P/N 130015</i>                        |      |      |          |  |      |
| 25   | 94434    | SCREW,HHC,3/8-16X1.25 GD307A                                    |      |      |          |  |      |
| 26   | 6021     | WASHER,LOCK,.375  |      |      |          |  |      |
| 27   | 6097     | WASHER,FLAT,USS,3/8",Y  |      |      |          |  |      |
| 28   | 27826    | SCREW,HHC,M8 X 55MM,GRD.8.8                                     |      |      |          |  |      |

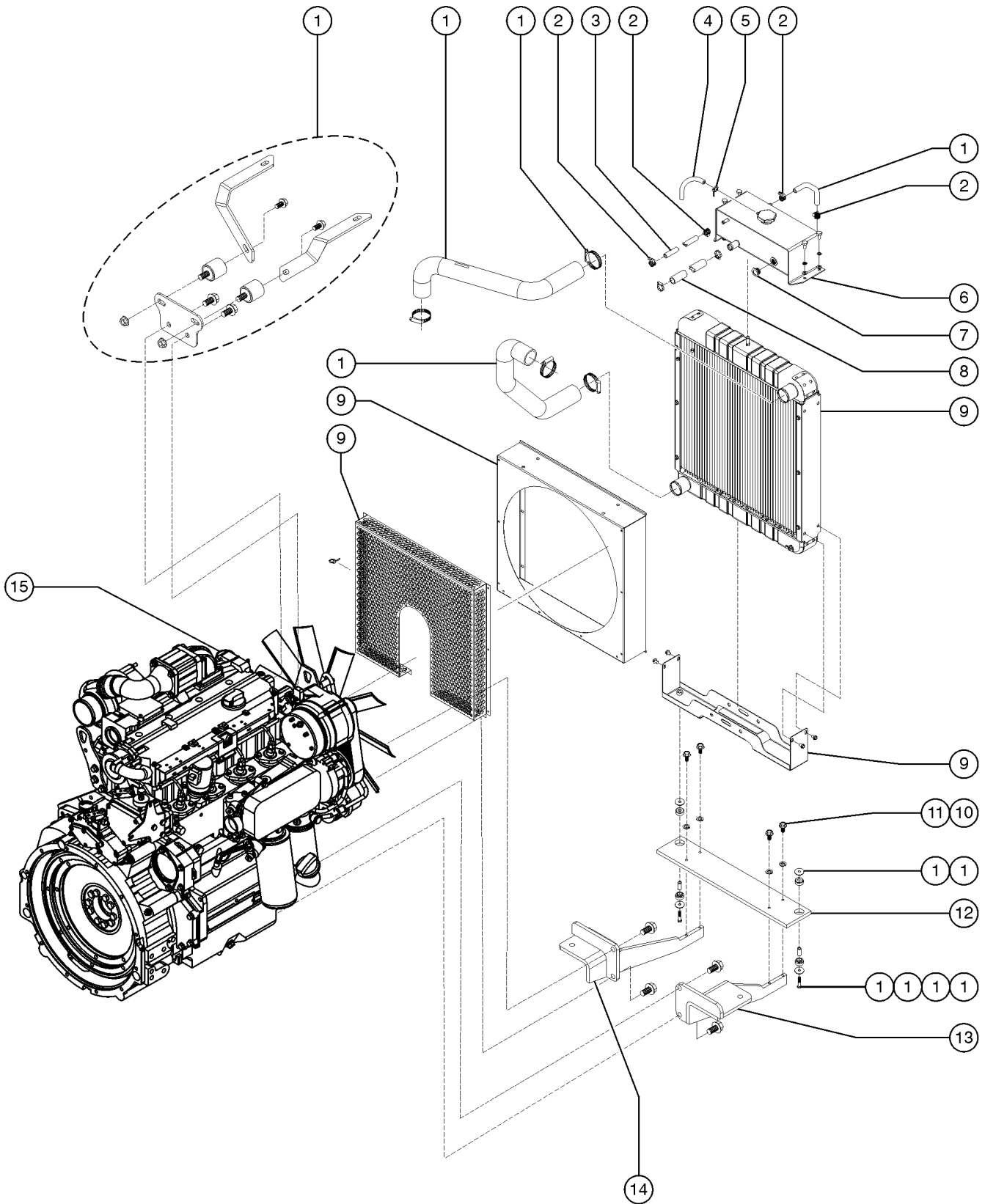
504.1 Engine Assembly, Deutz BF42012, View 2



## 504.1 Engine Assembly, Deutz BF42012, View 2

| Item | Part No.  | Description                             | Qty. |
|------|-----------|---|------|
| 1    | 6-7045-44 | HOSE,12X10-90X22                        |      |
| 2    | 130004    | SCREW,HHCS,M8 X 20MM                    |      |
| 3    | 130021    | HOSE, 5/8".....80-inches                |      |
| 4    | 130022    | TIE WRAP,8.5 X 0.13,BLACK               |      |
| 5    | 130021    | HOSE, 5/8".....62-inches                |      |
| 6    | 6-6453-15 | FITTING,12ORX12JIC,90.....2             |      |
| 7    | 130024    | FITTING,3/4 NPT X 5/8 BARB.....2        |      |
| 8    | 130023    | CLAMP,9/16 TO 1-1/14.....4              |      |
| 9    | 130025    | FITTING,3/4 MALE TO 3/4<br>FEMALE.....2 |      |
| --   | 130026    | PIPE SEALANT,LOCTITE #567.....2         |      |
| 10   | 130027    | HEAVY WIRE TIE, 1/4 X 18.....2          |      |
| 11   | 7-900-52  | KIT / HYDRAULIC PUMP.....1              |      |
| 12   | 6-7006-37 | HOSE,12X12X18.5"                        |      |
| 13   | 3-1360-1  | TRANSMISSION MOUNT / LH.....1           |      |
| 14   | 6-8112-35 | SCREW,12MM X 1.75X35MM                  |      |
| 15   | 49409     | WASHER,LOCK,M12                         |      |
| 16   | 6-6450-20 | FITTING,10ORX10JIC,STRAIGHT..1          |      |
| 17   | 7-126-517 | GASKET,PUMP,DRIVE.....1                 |      |
| 18   | 7-112-05  | PUMP ASSEMBLY (SAUER).....1             |      |
| 19   | 6-5208-20 | SCREW,HHC,1/2-13X2 1/2                  |      |
| 20   | 6033      | WASHER,LOCK,0.5"                        |      |
| 21   | 6-6212-08 | WASHER,FLAT,USS,1/2",Y                  |      |
| 22   | 3-1360-2  | TRANSMISSION MOUNT / RH.....1           |      |
| 23   | 6-8510-40 | CAPSCREW / HEX HEAD.....11              |      |
| 24   | 6-9111-10 | LOCKWASHER,10MM.....11                  |      |
| 25   | 6-5306-14 | SCREW,3/8NF 1 3/4                       |      |
| 26   | 6021      | WASHER,LOCK,.,375                       |      |

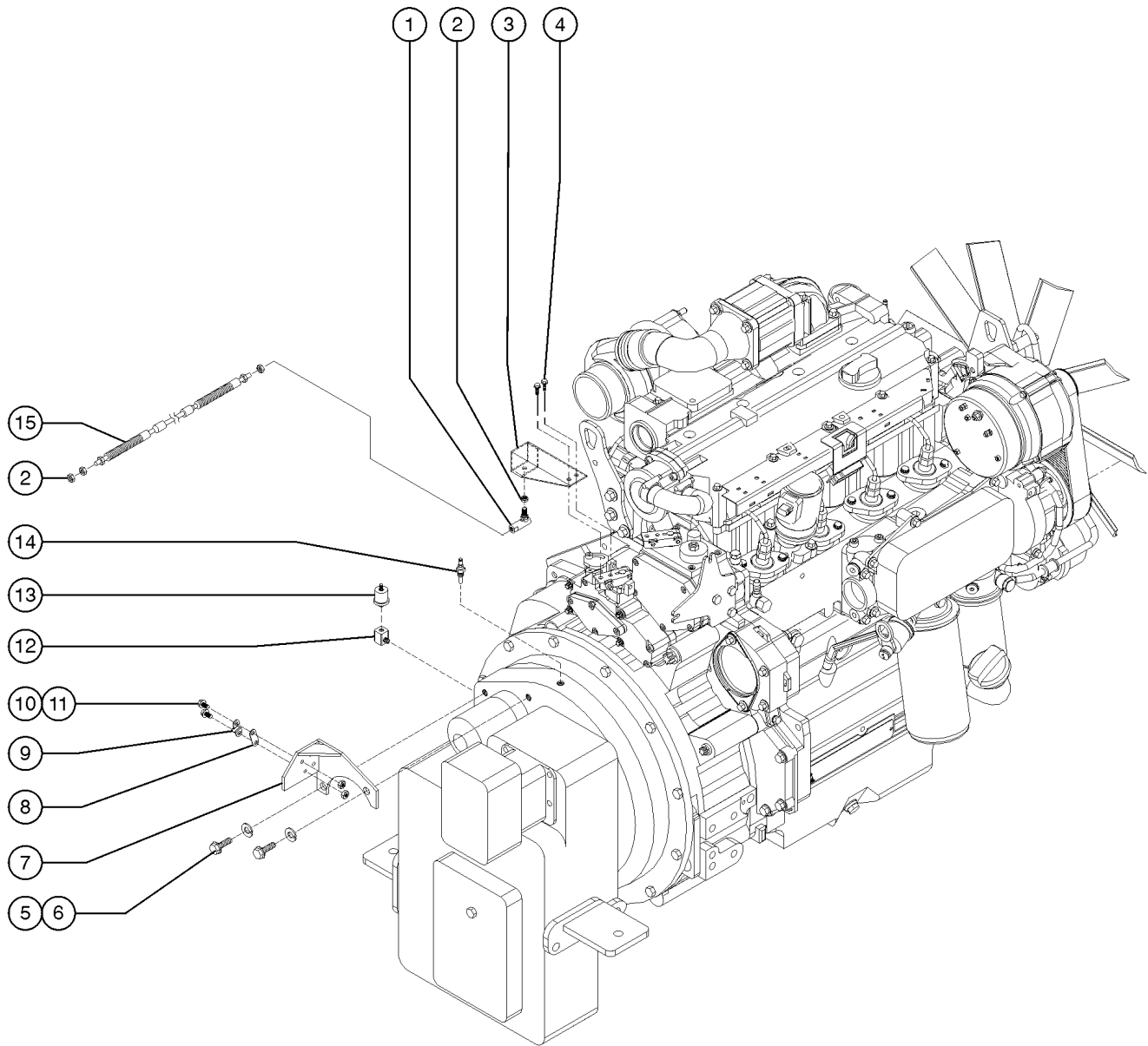
505.1 Engine Assembly, Deutz BF42012, View 3



## 505.1 Engine Assembly, Deutz BF42012, View 3

| Item | Part No. | Description   | Qty.        |
|------|----------|---|-------------|
| --   |          | <i>coolant bottle attaches to turntable cover, not the radiator</i>                                   |             |
| 1    | 130033   | COOLER MOUNTING ASSEMBLY.....   | 1           |
| 2    | 130034   | CLAMP,WORM.....   | 4           |
| 3    | 130035   | HOSE, 3/8".....   | 15-inches   |
| 4    | 130036   | HOSE,5/16".....   | 36-inches   |
| 5    | 130022   | TIE WRAP,8.5 X 0.13,BLACK.....  | 16          |
| 6    | 123932   | COOLANT RECOVERY BOTTLE,GTH.....  | 1           |
|      |          | <i>(from serial number GTH0808A-11783)</i>  |             |
| --   | 130037   | EXPANSION TANK ASSEMBLY.....  | 1           |
|      |          | <i>(before serial number GTH0808A-11783) coolant bottle attaches to turntable cover, not radiator</i> |             |
| 7    | 130038   | RECOVERY TANK SIGHT GLASS,1/2".....   | 1           |
| 8    | 130039   | HOSE,RUBBER,7/8".....   | 13.5-inches |
| 9    | 130354   | RADIATOR / DEUTZ ENGINE.....  | 1           |
| 10   | 130040   | SCREW,HHCS,5/16-18 X 7/8.....   | 4           |
| 11   | 130029   | WASHER,5/16,NARROW.....   | 4           |
| 12   | 130030   | FRONT MOUNT TRAY.....   | 1           |
| 13   | 130031   | REAR MOUNT,EXHAUST SIDE.....  | 1           |
| 14   | 130032   | REAR MOUNT,CAB SIDE.....  | 1           |
| 15   | 108548   | THERMOSTAT.....   | 1           |

506.1 Engine Components, Deutz BF42012, View 4

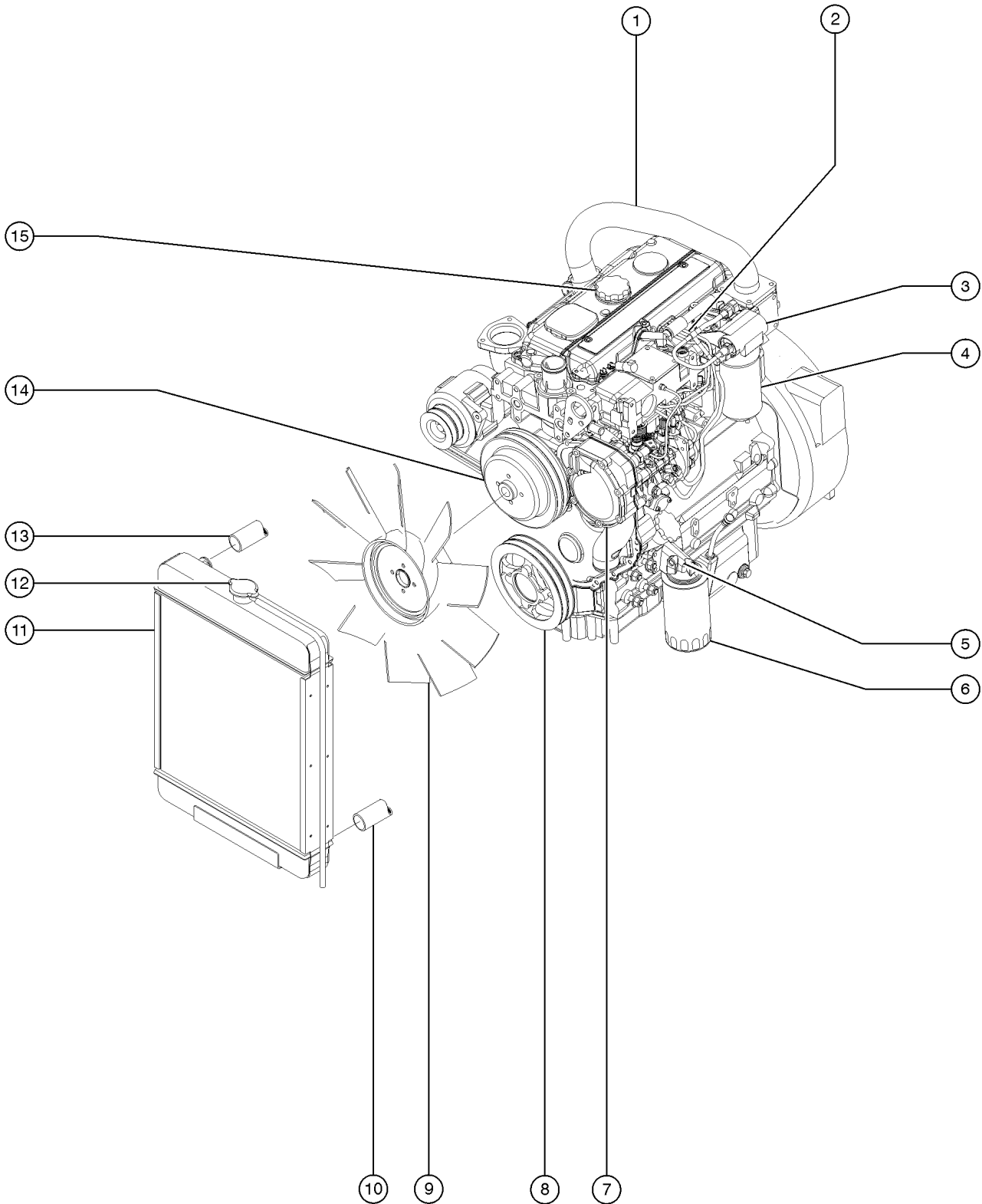




## 506.1 Engine Components, Deutz BF42012, View 4

| Item | Part No. | Description                                      | Qty. |
|------|----------|--|------|
| 1    | 130043   | SPEED CABLE SWIVEL.....                          | 1    |
| 2    | 21496    | NUT,HEX,1/4-28.....                              | 4    |
| 3    | 130042   | SPEED LEVER EXTENSION.....                       | 1    |
| 4    | 56123    | SCREW,HHC,M6 X 10MM.....                         | 2    |
| 5    | 94195    | SCREW,HHC,3/8-16 X .75,GR 8....                  | 2    |
| 6    | 6021     | WASHER,LOCK,.375.....                            | 2    |
| 7    | 130046   | THROTTLE CABLE BRACKET.....                      | 1    |
| 8    | 130048   | CONTROL CABLE BRACKET<br>SHIM.....               | 1    |
| 9    | 130045   | SPEED CONTROL CABLE<br>CLAMP.....                | 1    |
| 10   | 29752    | SCREW,HHC,10-24 X .75.....                       | 1    |
| 11   | 5365     | NUT,NYLOCK,10-24.....                            | 2    |
| 12   | 130028   | ELBOW,1/8" NPT BRASS.....                        | 1    |
| 13   | 130016   | TRANS.OIL PRESSURE<br>SENDER.....                | 1    |
| 14   | 130017   | TRANS.TEMP SENDER.....                           | 1    |
| 15   | 130041   | SPEED CONTROL<br>CABLE,DEUTZ.....<br>(96 inches) | 1    |

507.1 Engine Components, Perkins 1104C Tier 2 and Tier 3, View 1

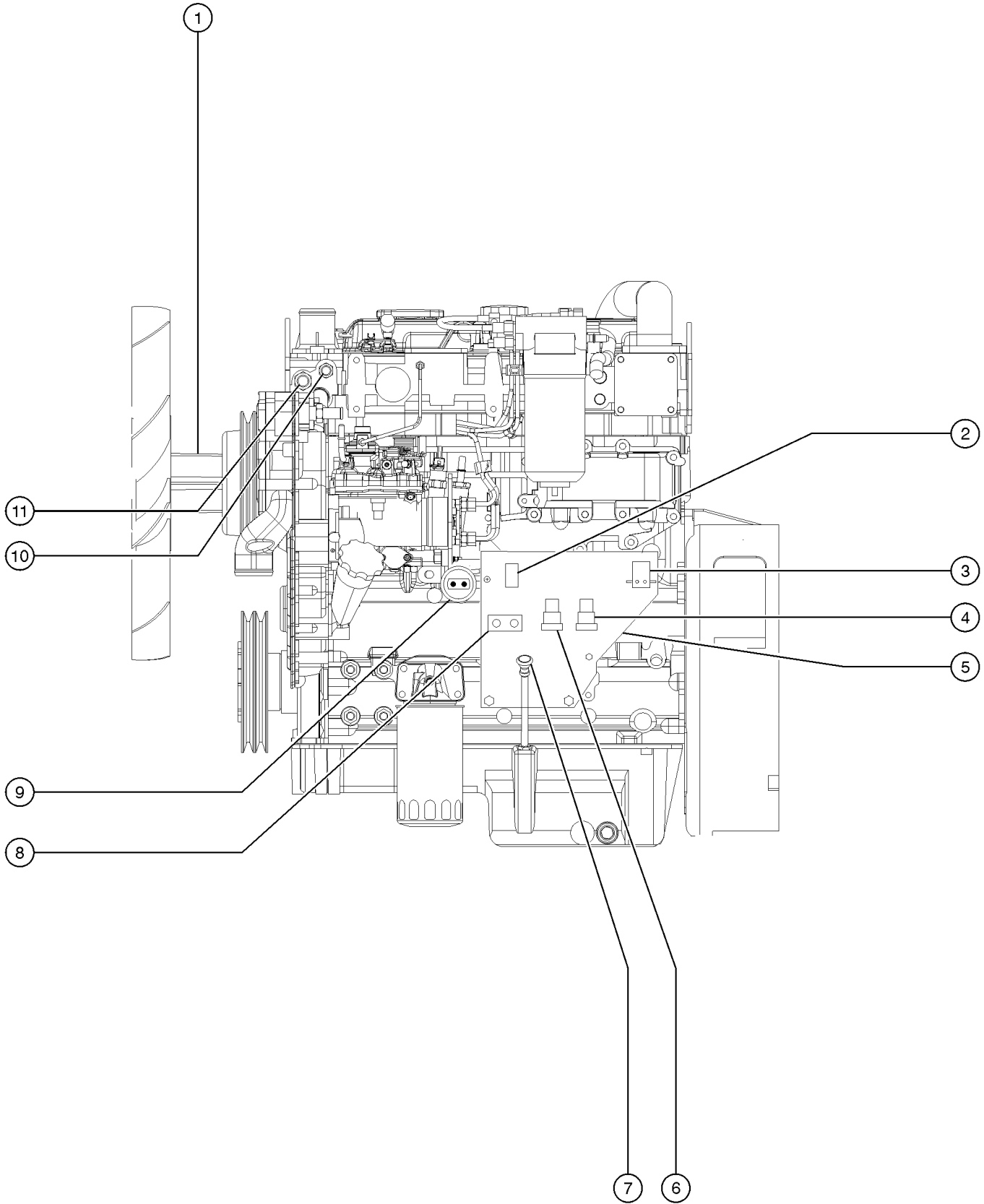


507.1 Engine Components, Perkins 1104C Tier 2 and Tier 3, View 1

| Item | Part No.  | Description   | Qty.                     | Item | Part No. | Description   | Qty. |
|------|-----------|---|--------------------------|------|----------|---|------|
| --   | 117473    | ENG/TRAN PKG,PERK,TII,644/8XX<br><i>(to SN GTH0811-14668)</i>   |                          | 10   | 226464   | HOSE,LOWER RADIATOR   |      |
| --   | 226435    | ENG ASSY,PERKINS 1104D-44T T3<br><i>(from SN GTH0811-14669)</i> |                          | 11   | T113263  | RADIATOR PERKINS,8K & 6K<br>MACH.....   | 1    |
| --   | 226574    | ENG,ASSY,PERK,1104C-44T,T2,6/8<br><i>(to SN GTH0811-14668)</i>  |                          | --   | 123091   | VIBRATION<br>ISOLATOR,RADIATOR,LOWER<br>MOUNT.....  | 2    |
| --   | 226612    | ENG ASSY,PERK,T2,6/8K,REMAN<br><i>(to SN GTH0811-14668)</i>     |                          | --   | 123092   | VIBRATION<br>ISOLATOR,RADIATOR,UPPER<br>MOUNT.....  | 2    |
| --   | 7-126-767 | TRANSMISSION<br>ASSEMBLY/DEUTSCH                                |                          | --   | 123932   | COOLANT RECOVERY<br>BOTTLE,GTH<br><i>from SN GTH0808A-11783 (coolant<br/>bottle attaches to radiator)</i>   |      |
| --   | T110331   | ENG/TRANS PKG,PERKINS T3 6/8K<br><i>(from SN GTH0811-14669)</i> |                          | --   | 130037   | EXPANSION TANK ASSEMBLY<br><i>before SN GTH0808A-11783 (coolant<br/>bottle attaches to turntable cover)</i> |      |
| 1    | 123327    | AIR PIPE,INTAKE,PERKINS.....                                    | 1                        | --   | 14392    | NUT,LP NYLOCK,10-32.....  | 4    |
| --   | 123328    | HOSE CLAMP,PERKINS ENGINE                                       |                          | --   | 226438   | BRKT,RADIATOR MOUNT   |      |
| --   | 123329    | ADAPTER HOSE,INTAKE,PERKINS                                     |                          | --   | 226440   | BRKT,TOP RAD SUPPORT  |      |
| --   | 123331    | GASKET,INTAKE PIPE  |                          | --   | 226441   | BRKT,SIDE RAD SUPPORT<br><i>(L shaped)</i>  |      |
| 2    | 226639    | TUBE,HIPRESS #1CYL,PERK T3<br>6/8.....                          | 1<br><i>(cylinder 1)</i> | --   | 226442   | BRKT,SIDE RAD SUPPORT<br><i>(U shaped)</i>  |      |
| --   | 226640    | TUBE,HIPRESS #2CYL,PERK T3 6/8<br><i>(cylinder 2)</i>           |                          | --   | 236304   | FAN GUARD   |      |
| --   | 226641    | TUBE,HIPRESS #3CYL,PERK T3 6/8<br><i>(cylinder 3)</i>           |                          | --   | 236305   | FAN SHROUD  |      |
| --   | 226642    | TUBE,HIPRESS #4CYL,PERK T3 6/8<br><i>(cylinder 4)</i>           |                          | --   | 49816    | SCREW,PHILLIPS,PHM,10-32 X<br>.75.....  | 4    |
| 3    | 102638    | ADAPTER-FUEL FILTER, PERK<br>1104.....                          | 1                        | --   | 6021     | WASHER,LOCK,,.375.....  | 4    |
| 4    | 102639    | FILTER,FUEL, PERKINS 1104C.....                                 | 1                        | --   | 7713     | NUT,LP NYLOCK,3/8-16.....   | 4    |
| --   | 123085    | GASKET / OIL FILTER HEAD  |                          | 12   | 231132   | CAP, PERKINS RADIATOR, 6/8/10K  |      |
| --   | 123088    | BOWL / FUEL FILTER  |                          | 13   | 226460   | HOSE,UPPER RADIATOR   |      |
| 5    | 123084    | HEAD / OIL FILTER   |                          | 14   | 226624   | SHEAVE,FAN,PERK T3 6/8K.....  | 1    |
| --   | 123085    | GASKET / OIL FILTER HEAD  |                          | --   | 102598   | BELT,V, PERKINS 1104C-44  |      |
| --   | T114340   | FASTENER,HOUSING,OIL FILTER                                     |                          | --   | 123351   | FAN DRIVE HOUSING   |      |
| 6    | 102632    | FILTER,OIL,PERKINS 1104C-44.....                                | 1                        | --   | 62428    | BELT,V, PERKINS 1004-42 (SB)  |      |
| 7    | 102643    | PUMP, WATER,PERKINS<br>1104C-44.....                            | 1                        | 15   | 102635   | CAP,OIL FILLER,PERKINS<br>1104C.....  | 1    |
| --   | 102644    | GASKET-PUMP WATE,PERK<br>1104C-44                               |                          |      |          |   |      |
| 8    | 75331     | PULLEY,CRANKSHAFT,PERKINS<br>1004.....                          | 1                        |      |          |   |      |
| --   | 75332     | SCREW,CRANKSHFT,PERKIN<br>1004-42                               |                          |      |          |   |      |
| 9    | 123105    | FAN / PERKINS ENGINE.....                                       | 1                        |      |          |   |      |
| --   | 75326     | NUT,FAN BLADE,PERKINS 1004-42                                   |                          |      |          |   |      |



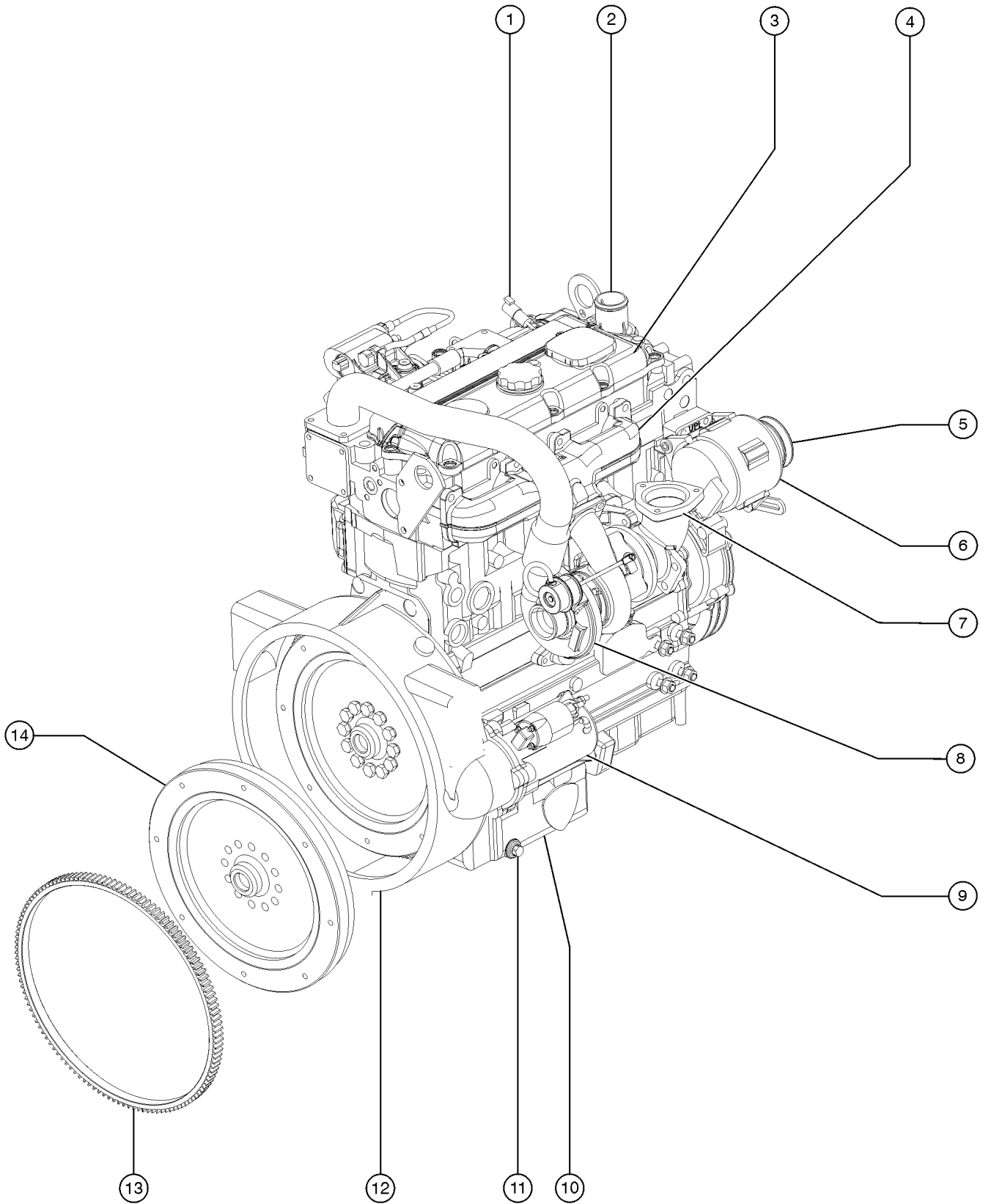
508.1 Engine Assembly, Perkins 1104C, Tier 2 and Tier 3, View 2



## 508.1 Engine Assembly, Perkins 1104C, Tier 2 and Tier 3, View 2

| Item | Part No. | Description                           | Qty. |
|------|----------|---------------------------------------|------|
| 1    | 226625   | SPACER,FAN,PERK T3 6/8K.....          | 1    |
| --   | 226626   | STUD,FAN MTG M8X1.25X90 PK 6/8        |      |
| 2    | 123199   | FUSE,20 AMP.....                      | 1    |
| 3    | 7-319-21 | STARTER RELAY.....                    | 1    |
| 4    | 123337   | LIFT PUMP RELAY.....                  | 1    |
| --   | 75343    | WASHER,OIL<br>DRAIN,PERKIN1004-42     |      |
| 5    | 226451   | ENGINE HARNESS ASSY.....              | 1    |
| --   | 226436   | BRKT,ENG HARNESS MOUNT                |      |
| 6    | 123338   | COLD START RELAY.....                 | 1    |
| 7    | 123082   | DIPSTICK.....                         | 1    |
| 8    | 123339   | COLD START CIRCUIT<br>BREAKER.....    | 1    |
| 9    | 226453   | SENDER/SWITCH,ENGINE OIL<br>TEMP..... | 1    |
| 10   | 123079   | SWITCH / WATER TEMP.....              | 1    |
| 11   | 7-169-10 | SENDER / ENG. WATER TEMP.....         | 1    |

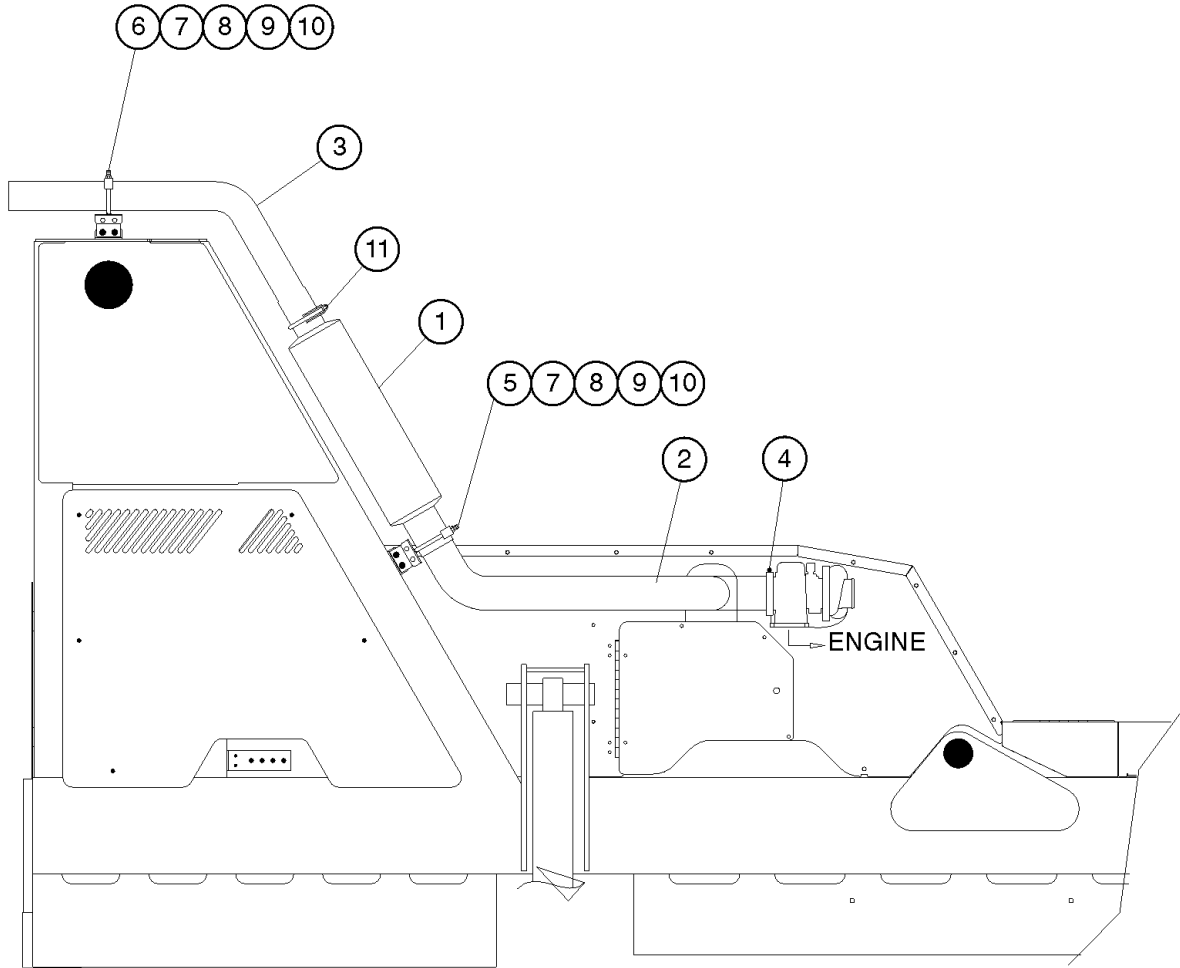
509.1 Engine Assembly, Perkins 1104C, Tier 2 and Tier 3, View 3



## 509.1 Engine Assembly, Perkins 1104C, Tier 2 and Tier 3, View 3

| Item | Part No. | Description  | Qty. |
|------|----------|--|------|
| 1    | 123098   | RELAY / GLOW PLUG.....   | 1    |
| --   | 117260   | DECAL,GLOW PLUGS   |      |
| --   | 123089   | PLUG / GLOW  |      |
| 2    | 130339   | THERMOSTAT&GASKETS;PERKINS.  | 1    |
| --   | 226620   | SEAL,THERMOSTAT HSG,PERK<br>6/8K   |      |
| --   | 75321    | SCREW,THERMSTAT.PERKINS1004-42   |      |
| 3    | 226615   | ASSY,VALVE COVER,PERK T3<br>6/8K.....  | 1    |
| --   | 102600   | SEAL-VALVE COVER PERKINS<br>1104C  |      |
| --   | 226616   | BOLT,VLV COVER,6MM,PERK T3<br>6/8  |      |
| 4    | 226617   | MANIFOLD,EXH,PERK T3 6/8K.....   | 1    |
| --   | 102630   | SEAL- EXHAUST MANIFOLD<br>PERK-44  |      |
| --   | 226618   | BOLT,EXH MAN M10X1.5X45,PER<br>T3  |      |
| 5    | 102645   | PULLEY,ALTERNATOR, PERK<br>1104C.....  | 1    |
| 6    | 226628   | ALTERNATOR,PERK T3 6/8K.....   | 1    |
| --   | T114411  | SCREW,ALTERNATOR MOUNTING  |      |
| 7    | 123086   | ELBOW / EXHAUST.....   | 1    |
| 8    |          | Ref. Turbo Charger<br><i>(Please consult certified Perkins<br/>service technician)</i> |      |
| 9    | 226627   | STARTER,ENG,PERK T3 6/8K.....  | 1    |
| --   | T114409  | STUDS,STARTER,<br>10MMX1.5MMX65MM  |      |
| --   | T114410  | NUT,STARTER,FLANGED,10MMX1.5MM   |      |
| 10   | 102641   | OIL PAN,PERKINS 1104C-44.....  | 1    |
| --   | 102642   | GASKET - OIL PAN, PERKIN 1104C   |      |
| 11   | 75342    | PLUG,ENGINE OIL,PERKIN<br>1004-42.....   | 1    |
| --   | 75343    | WASHER,OIL<br>DRAIN,PERKIN1004-42  |      |
| 12   | 123363   | FLYWHEEL HOUSING,PERKINS<br>ENGIN.....   | 1    |
| 13   | 123080   | RING GEAR / FLYWHEEL.....  | 1    |
| 14   | 123362   | FLYWHEEL,PERKINS ENGINE.....   | 1    |
| --   | 226614   | BOLT,FLYWHEEL,PERK T3 6/8K   |      |
| --   | T114334  | WASHER,FLYWHEEL,PERKINS<br>127HP   |      |

510.1 Exhaust Assembly, JD-4045 and Deutz BF4M2012

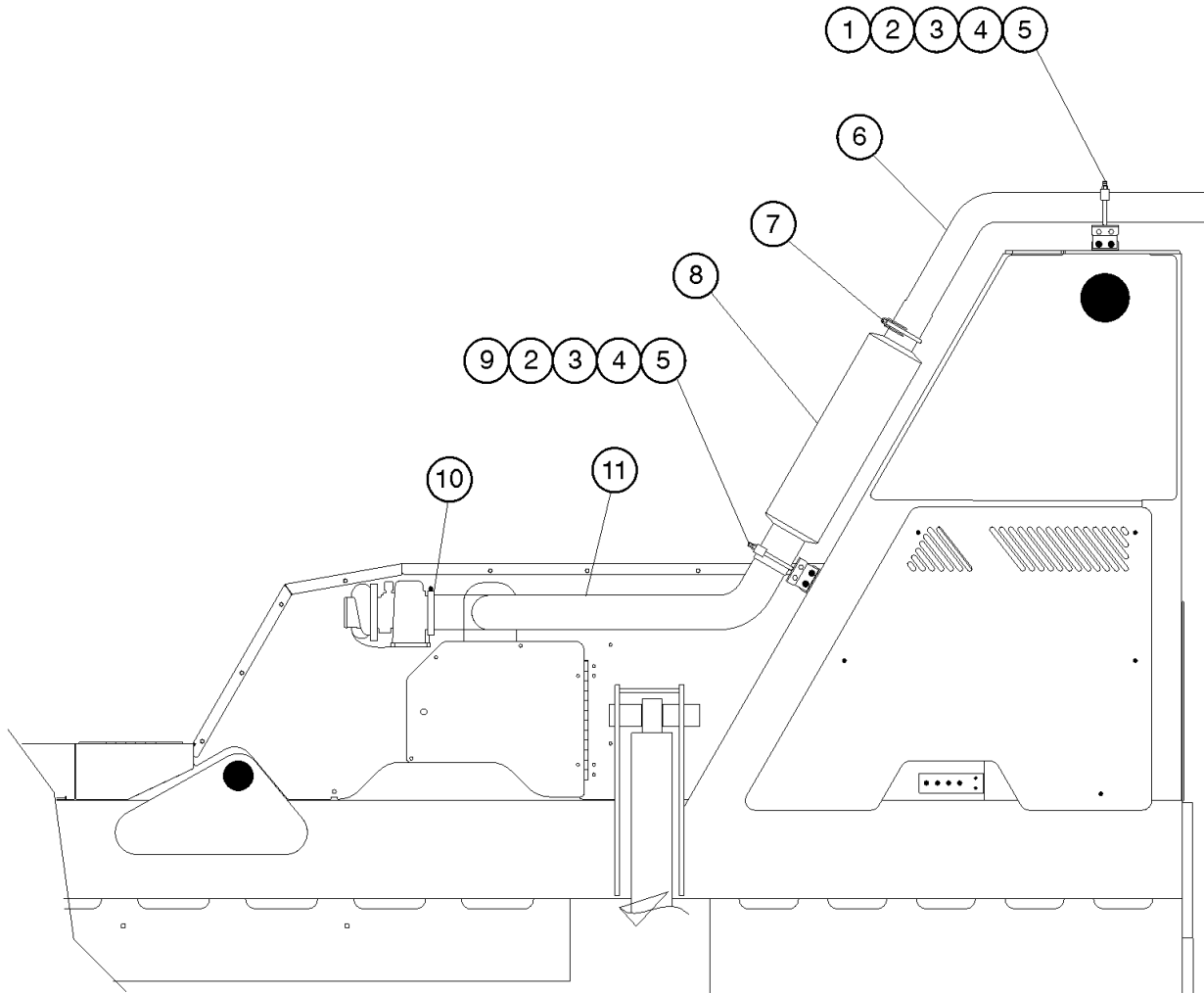




## 510.1 Exhaust Assembly, JD-4045 and Deutz BF4M2012

| Item | Part No.  | Description  | Qty. |
|------|-----------|--|------|
| --   | 108529    | EXHAUST ASSY,DEUTZ-2012<br>(tier 2) (to SN GTH0808-12354)            |      |
| --   | 4-2377    | EXHAUST FLANGE   |      |
| --   | 130857    | EXHAUST ASSY,JD TIER3, 644-8XX<br>(from SN GTH0808-12355)            |      |
| 1    | 7-282-05  | MUFFLER.....   | 1    |
| 2A   | 5-2005    | PIPE / EXHAUST.....<br>(John Deere, tier 2) (to SN<br>GTH0808-12354) | 1    |
| 2B   | 130810    | EXHAUST PIPE,JD TIER3,644-8XX<br>(from SN GTH0808-12355)             |      |
| 2C   | 4-2371    | EXHAUST PIPE, DEUTZ ENGINE<br>(Deutz 2012)                           |      |
| 3    | 3-1349    | TAILPIPE.....  | 1    |
| 4    | 7-183-98  | CLAMP / V-STYLE.....Ref.<br>(with engine)                            |      |
| 5    | 2-1166    | EXHAUST BRACKET, 3 1/2.....  | 1    |
| 6    | 123190    | CLAMP BRACKET, EXHAUST, 3.....                                       | 1    |
| 7    | 1-1173    | FLEX JOINT, EXHAUST MOUNT....  | 2    |
| --   | 1-1176    | GASKET,EXHAUST   |      |
| 8    | 6-5204-08 | SCREW,HHC,1/4-20X1,GR8.....  | 8    |
| 9    | 6-6212-04 | WASHER,FLAT,.250,<br>HARDENED.....                                   | 8    |
| 10   | 6091      | NUT,NYLOCK,1/4-20.....   | 8    |
| 11   | 7-319-14  | CLAMP,MUFFLER,3 1/4".....  | 1    |

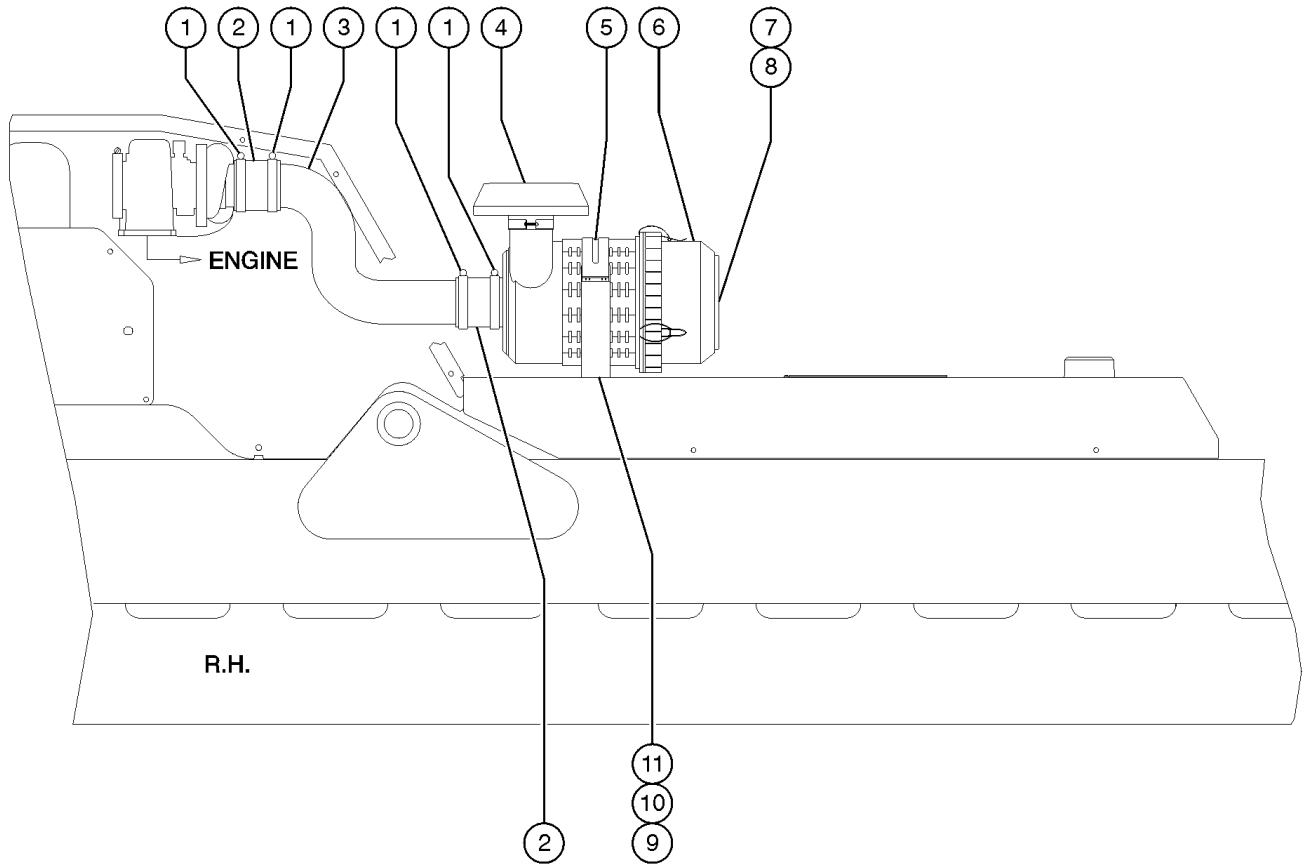
511.1 Exhaust Assembly, Perkins 1104C



## 511.1 Exhaust Assembly, Perkins 1104C

| Item | Part No.  | Description                           | Qty. |
|------|-----------|---------------------------------------|------|
| --   | 117586    | EXHAUST ASEMBLY,PERKINS.....          | 1    |
| 1    | 123190    | CLAMP BRACKET, EXHAUST, 3.....        | 1    |
| 2    | 1-1173    | FLEX JOINT, EXHAUST MOUNT.....        | 2    |
| --   | 1-1176    | GASKET,EXHAUST.....                   | 1    |
| 3    | 6-5204-08 | SCREW,HHC,1/4-20X1,GR8.....           | 8    |
| 4    | 6-6212-04 | WASHER,FLAT,.250,<br>HARDENED.....    | 8    |
| 5    | 6091      | NUT,NYLOCK,1/4-20.....                | 8    |
| 6    | 3-1349    | TAILPIPE.....                         | 1    |
| 7    | 7-319-14  | CLAMP,MUFFLER,3 1/4".....             | 1    |
| 8    | 7-282-05  | MUFFLER.....                          | 1    |
| 9    | 2-1166    | EXHAUST BRACKET, 3 1/2.....           | 1    |
| 10   | 117046    | EXHAUST FLANGE,PERKINS<br>ENG.....    | 1    |
| --   | 4828      | NUT,NYLOCK,3/8-16.....                | 2    |
| --   | 6019      | SCREW,HHC,3/8-16 X 1.25 GRD<br>5..... | 2    |
| --   | 6021      | WASHER,LOCK,.375.....                 | 2    |
| 11   | 117048    | EXHAUST PIPE,PERKINS ENG.....         | 1    |

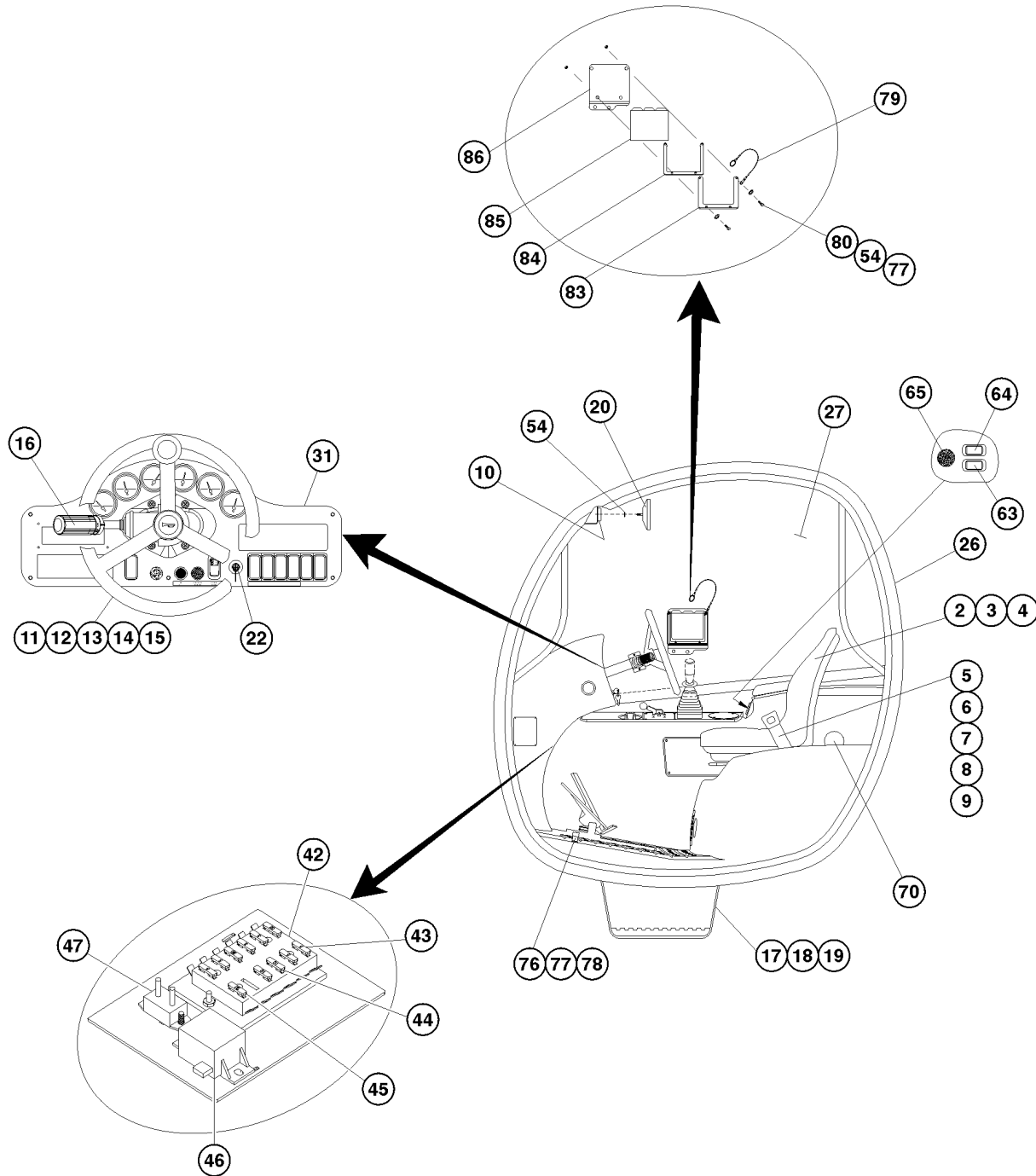
512.1 Air Cleaner Assembly, All Models



## 512.1 Air Cleaner Assembly, All Models

| Item | Part No.  | Description   | Qty. |
|------|-----------|---|------|
| 1    | 123161    | HOSE CLAMP.....   | 4    |
| 2A   | 108612    | CONNECTOR,RUBBER,AIR<br>INTAKE.....                             | 2    |
|      |           | <i>(John Deere)</i>   |      |
| 2B   | 7-109-17  | COUPLING W/PORT,AIR INTAKE<br><i>(Deutz, Perkins)</i>           |      |
| 3A   | 5-2006    | PIPE, AIR INLET.....  | 1    |
|      |           | <i>(John Deere) (tier 2, to SN<br/>GTH0808-12354)</i>           |      |
| 3B   | 130811    | INTAKE PIPE,JD TIER3, 644-8XX<br><i>(from SN GTH0808-12355)</i> |      |
| 3C   | 4-2370    | AIR INTAKE TUBE<br><i>(Deutz 2012)</i>                          |      |
| 3D   | 117050    | AIR INTAKE PIPE<br><i>(Perkins 1104C)</i>                       |      |
| 4    | 7-109-02  | RAIN CAP W/CLAMP.....   | 1    |
| 5    | 7-109-03  | MOUNTING BAND, SMALL BASE...1                                   |      |
| 6A   | 7-109-16  | AIR CLEANER ASSEMBLY.....                                       | 1    |
|      |           | <i>(John Deere)</i>   |      |
| 6B   | 108530    | AIRCLEANER ASSY,DEUTZ-2012                                      |      |
| 6C   | 117587    | AIR CLEANER ASSY,PERKINS  |      |
| 7    | 7-109-14  | SAFETY ELEMENT.....   | Ref. |
| 8    | 7-109-04  | FILTER ELEMENT / PRIMARY....                                    | Ref. |
| 9    | 6-6205-05 | NUT,NYLOCK,5/16-18,GR8.....                                     | 2    |
| 10   | 57201     | WASHER,FLAT, 313,<br>HARDENED.....                              | 2    |
| 11   | 6-5205-10 | SCREW,HHC,5/16-18X1.25,GR8....                                  | 2    |

601.1 Operators Compartment Assembly, View 1



601.1 Operators Compartment Assembly, View 1

| Item | Part No. | Description   | Qty. | Item | Part No.  | Description  | Qty. |
|------|----------|---|------|------|-----------|--|------|
| --   | 4-2360   | HARNESS, DASH   |      | 10   | 123561    | LEV-O-GAGE INDICATOR.....1   |      |
| --   | 4-2361   | HARNESS, MAIN POWER   |      | 11   |           | Ref. STEERING UNIT 250CC<br>TEFLON<br>(refer to 912.1)             |      |
| --   | 4-2363   | HARNESS, REAR LOCKUP  |      | 12   | 123136    | STEERING WHEEL, 362MM.....1  |      |
| A    | 123841   | SERVICE KIT,LD CHRT HOLDER,644<br>GTH644 from SN GTH0609A-13605<br>& from SN GTH0606B-6271; Includes<br>items 54,77, 79-86          |      | 13   | 7-147-41  | HORN BUTTON KIT*** .....1  |      |
| --   | 123800   | ASSY,LOAD CHART<br>HOLDER,644/8XX<br>GTH644 from SN GTH0609A-13605<br>& from SN GTH0606B-6271; Includes<br>items 54, 77, 79-84 & 86 |      | --   | 7-369-01  | HORN   |      |
| B    | 123842   | SERVICE KIT,LD CHRT HOLDER,842<br>GTH842 from SN GTH0809A-13605<br>& from SN GTH0806B-6958; Includes<br>items 54, 77, 79-86         |      | 14   | 7-147-04  | NUT / STEERING WHEEL.....Ref.                                      |      |
| --   | 123800   | ASSY,LOAD CHART<br>HOLDER,644/8XX<br>GTH842 from SN GTH0809A-13605<br>& from SN GTH0806B-6958; Includes<br>items 54, 77, 79-84 & 86 |      | 15   | 218100    | COLUMN, STEERING, 225MM.....1<br>includes item 14; replaced 123564 |      |
| C    | 123843   | SERVICE KIT,LD CHRT HOLDER,844<br>GTH844 from SN GTH0809A-13605<br>& from SN GTH0806B-6958; Includes<br>items 54, 77, 79-86         |      | 16   | 7-125-05  | SHIFTER ASSEMBLY*** .....1   |      |
| --   | 123800   | ASSY,LOAD CHART<br>HOLDER,644/8XX<br>GTH844 from SN GTH0809A-13605<br>& from SN GTH0806B-6958; Includes<br>items 54, 77, 79-84 & 86 |      | --   | T109235   | KIT, CLAMP (7-125-05)  |      |
| --   | 4-2367   | HARNESS, TRANSMISSION<br>CONTROL  |      | 17   | 130345    | SERVICE KIT,FLEX STEP,STCIII.....1                                 |      |
| 2A   | 123137   | SEAT ASSY, STD.....1  |      | 18   | 123663    | SCREW,HHC,1/2-13X1.25,GR8.....2                                    |      |
| 2B   | 123574   | SEAT ASSY, FULL-SUSPENSION<br>option  |      | 19   | 6033      | WASHER,LOCK,0.5" .....2  |      |
| 3    | 6886     | WASHER,LOCK, .313.....4   |      | 20   | 123573    | MIRROR, INTERIOR.....1   |      |
| 4    | 6038     | NUT,HEX,5/16-18,GR8.....4   |      | 22   | 123196    | SWITCH, IGNITION.....Ref.  |      |
| 5    | 108670   | SEATBELT,3"WIDE,REQ'D IN<br>CA,TH.....1   |      | --   | 58322     | KEY,SET(2) ING/7-146-01,123196                                     |      |
| 5A   | 7-337-01 | SEATBELT 2.5" WIDE<br>STANDARD.....1  |      | 26   | 130294    | GLASS / REAR.....1   |      |
| 5B   | 108670   | SEATBELT,3"WIDE,REQ'D IN CA,TH  |      | 27   | 130295    | GLASS / RH SIDE / SAF-T-CAB II....1                                |      |
| 6    | 123840   | SCREW,HHC,5/16-18X.75,GR8,Y...2   |      | 31   | 7-132-147 | DASH PANEL,STCIII.....1  |      |
| 7    | 57201    | WASHER,FLAT, 313,<br>HARDENED.....2   |      | --   | 19506     | HOUR METER,10-80 VOLTS*** .....1                                   |      |
| 8    | 6886     | WASHER,LOCK, .313.....2   |      | --   | 7-164-01  | SWITCH,3TERM,3POS,ROCKE<br>heater                                  |      |
| 9    | 6038     | NUT,HEX,5/16-18,GR8.....2   |      | --   | 7-164-02  | SWITCH,LIGHTS<br>lights  |      |
|      |          |   |      | --   | 7-164-10  | SWITCH,W/ AMBER LAMP<br>(glow plug)                                |      |
|      |          |   |      | 42   | 123133    | FUSE BLOCK.....1   |      |
|      |          |   |      | 43   | 123198    | FUSE, 5 AMP, ATC.....3   |      |
|      |          |   |      | 44   | 123199    | FUSE, 20 AMP, ATC.....1  |      |
|      |          |   |      | 45   | 123688    | FUSE, 10 AMP, ATC.....2  |      |
|      |          |   |      | 46   | 123134    | RELAY, HIGH CAPACITY.....1   |      |
|      |          |   |      | 47   | 123135    | CIRCUIT BREAKER, 40 AMP.....1                                      |      |
|      |          |   |      | --   | 123677    | CIRCUIT BREAKER BOOT.....1   |      |
|      |          |   |      | 54   | 6-6212-04 | WASHER,FLAT,.250,<br>HARDENED.....36                               |      |
|      |          |   |      | 63   | 123567    | PANEL PLUG.....1<br>& from SN GTH0606B                             |      |
|      |          |   |      | 64   | 123138    | SWITCH, AUXILIARY.....1  |      |
|      |          |   |      | 65   | 7-144-10  | HOLE PLUG, 1 3/16.....1  |      |
|      |          |   |      | 70   | 123572    | HOLE PLUG, 3 IN.....7  |      |



601.1 Operators Compartment Assembly, View 1  
(continued)

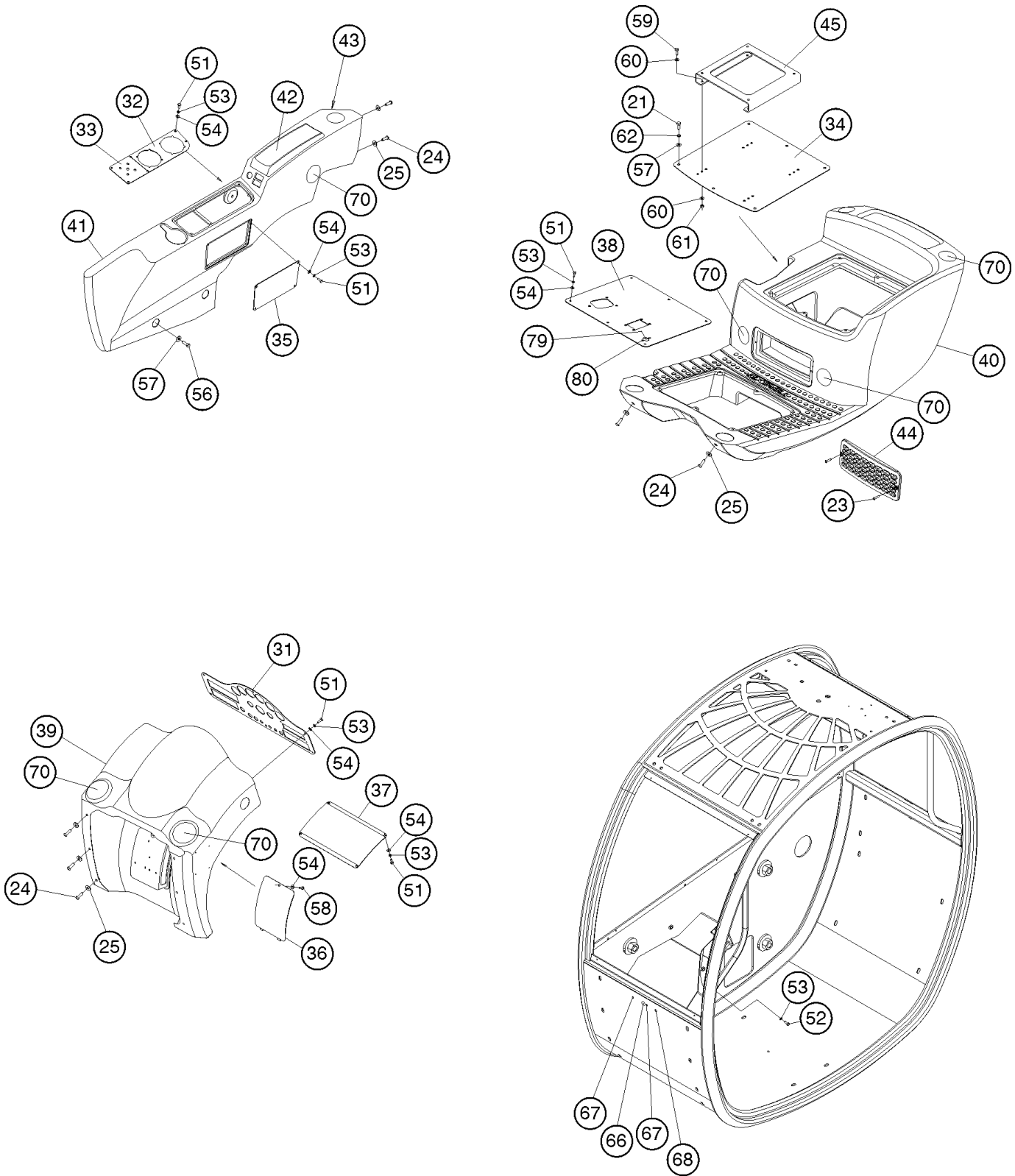
| Item | Part No.  | Description   | Qty. | Item | Part No. | Description   | Qty. |
|------|-----------|---|------|------|----------|---|------|
| 76   | 123562    | SWITCH, DIFFERENTIAL<br>LOCK.....Ref.<br>(GTH-842, GTH-844)   |      | 85A  | 130690   | CARD,LOAD RNG,644 PIN ON<br>TB.....1<br>GTH644 from SN GTH0609A-13605<br>& from SN GTH0606B-6271 (Pin on<br>truss boom only)      |      |
| 77   | 6-5204-04 | SCREW,HHC,1/4-20X.5,GR8.....6<br>(GTH-842, GTH-844)   |      | 85A  | 130691   | CARD,LOAD RNG,644 QA BKT.....1<br>GTH644 from SN GTH0609A-13605<br>& from SN GTH0606B-6271 (Quick<br>attach bucket only)          |      |
| 77   | 6-5204-10 | SCREW,1/4-20 X 1.25,GR8.....6<br>(GTH-842, GTH-844)   |      | 85A  | 130692   | CARD,LOAD RNG,644 QA TB.....1<br>GTH644 from SN GTH0609A-13605<br>& from SN GTH0606B-6271 (Quick<br>attach truss boom only)       |      |
| 78   | 6356      | WASHER,LOCK,.25.....2<br>(GTH-842, GTH-844)   |      | 85A  | 130693   | CARD,LOAD RNG,644 CAT<br>ADPT.....1<br>GTH644 from SN GTH0609A-13605<br>& from SN GTH0606B-6271 (Cat<br>attachment adapter only)  |      |
| 79   | 123839    | LANYARD ASSY,RETAINING<br>WASHER.....1  |      | 85A  | T107982  | CARD,LOAD RNG,644 QA&ROT.....1<br>GTH644 from SN GTH0609A-14250<br>& from SN GTH0606B-6271 (Quick<br>attach rotate carriage only) |      |
| 80   | 6889      | NUT,LP NYLOCK,1/4-20.....4<br>GTH844 from SN GTH0809A-13605<br>& from SN GTH0806B-6958 (Standard<br>fork only)            |      | 85B  | 130694   | CARD,LOAD RNG,842 STD FKS.....1<br>GTH842 from SN GTH0809A-13605<br>& from SN GTH0806B-6958 (Standard<br>fork only)               |      |
| 83   | 123291    | PLATE,LOADCHART FRAME.....1<br>GTH644 from SN GTH0609A-13605<br>& from SN GTH0606B-6271                                   |      | 85B  | 130695   | CARD,LOAD RNG,842 SWG<br>CARR.....1<br>GTH842 from SN GTH0809A-13605<br>& from SN GTH0806B-6958 (Swing<br>Carriage only)          |      |
| 83   | 130480    | HDPE,LOAD CHART HOLDER<br>GTH844 from SN GTH0809A-13605<br>& from SN GTH0806B-6958 (Standard<br>fork only)                |      | 85B  | 130696   | CARD,LOAD RNG,842 PIN ON<br>BKT.....1<br>GTH842 from SN GTH0809A-13605<br>& from SN GTH0806B-6958 (Pin on<br>bucket only)         |      |
| 84   | 123291    | PLATE,LOADCHART FRAME.....2<br>GTH844 from SN GTH0809A-13605<br>& from SN GTH0806B-6958 (Standard<br>fork only)           |      | 85B  | 130697   | CARD,LOAD RNG,842 PIN ON<br>TB.....1<br>GTH842 from SN GTH0809A-13605<br>& from SN GTH0806B-6958 (Pin on<br>truss only)           |      |
| 84   | 130480    | HDPE,LOAD CHART HOLDER.....1<br>GTH644 from SN GTH0609A-13605<br>& from SN GTH0606B-6271                                  |      | 85B  | 130698   | CARD,LOAD RNG,842 QA BKT.....1<br>GTH842 from SN GTH0809A-13605<br>& from SN GTH0806B-6958 (Quick<br>attach bucket only)          |      |
| 85A  | 123425    | FORMING,LOAD CHART HOLDER<br>BACK.....1<br>GTH644 from SN GTH0609A-13605<br>& from SN GTH0606B-6271                       |      | 85B  | 130699   | CARD,LOAD RNG,842 QA TB.....1<br>GTH842 from SN GTH0809A-13605<br>& from SN GTH0806B-6958 (Quick<br>attach truss only)            |      |
| 85A  | 130687    | CARD,LOAD RNG,644 STD FKS.....1<br>GTH644 from SN GTH0609A-13605<br>& from SN GTH0606B-6271 (Standard<br>fork only)       |      |      |          |   |      |
| 85A  | 130688    | CARD,LOAD RNG,644 SWG<br>CARR.....1<br>GTH644 from SN GTH0609A-13605<br>& from SN GTH0606B-6271 (Swing<br>Carriage only)  |      |      |          |   |      |
| 85A  | 130689    | CARD,LOAD RNG,644 PIN ON<br>BKT.....1<br>GTH644 from SN GTH0609A-13605<br>& from SN GTH0606B-6271 (Pin on<br>bucket only) |      |      |          |   |      |



601.1 Operators Compartment Assembly, View 1  
(continued)

| Item | Part No. | Description  | Qty. |
|------|----------|--|------|
| 85B  | 130700   | CARD,LOAD RNG,842 CAT<br>ADPT.....1<br><i>GTH842 from SN GTH0809A-13605<br/>&amp; from SN GTH0806B-6958 (Cat<br/>attachment adapter only)</i>  | 1    |
| 85C  | 130701   | CARD,LOAD RNG,844 STD FKS.....1<br><i>GTH844 from SN GTH0809A-13605<br/>&amp; from SN GTH0806B-6958 (Standard<br/>fork only)</i>               | 1    |
| 85C  | 130702   | CARD,LOAD RNG,844 SWG<br>CARR.....1<br><i>GTH844 from SN GTH0809A-13605<br/>&amp; from SN GTH0806B-6958 (Swing<br/>Carriage only)</i>          | 1    |
| 85C  | 130703   | CARD,LOAD RNG,844 PIN ON<br>BKT.....1<br><i>GTH844 from SN GTH0809A-13605<br/>&amp; from SN GTH0806B-6958 (Pin on<br/>bucket only)</i>         | 1    |
| 85C  | 130704   | CARD,LOAD RNG,844 PIN ON<br>TB.....1<br><i>GTH844 from SN GTH0809A-13605<br/>&amp; from SN GTH0806B-6958 (Pin on<br/>truss only)</i>           | 1    |
| 85C  | 130705   | CARD,LOAD RNG,844 QA BKT.....1<br><i>GTH844 from SN GTH0809A-13605<br/>&amp; from SN GTH0806B-6958 (Quick<br/>attach bucket only)</i>          | 1    |
| 85C  | 130706   | CARD,LOAD RNG,844 QA TB.....1<br><i>GTH844 from SN GTH0809A-13605<br/>&amp; from SN GTH0806B-6958 (Quick<br/>attach truss only)</i>            | 1    |
| 85C  | 130707   | CARD,LOAD RNG,844 CAT<br>ADPT.....1<br><i>GTH844 from SN GTH0809A-13605<br/>&amp; from SN GTH0806B-6958 (Cat<br/>attachment adapter only)</i>  | 1    |
| 85C  | 141946   | CARD,LOAD RNG,844 QA&ROT.....1<br><i>GTH844 from SN GTH0809A-14250<br/>&amp; from SN GTH0806B-6958 (Quick<br/>attach rotate carriage only)</i> | 1    |
| 86   | 123425   | FORMING,LOAD CHART HOLDER<br>BACK.....1<br><i>GTH842 from SN GTH0809A-13605<br/>&amp; from SN GTH0806B-6958</i>                                | 1    |

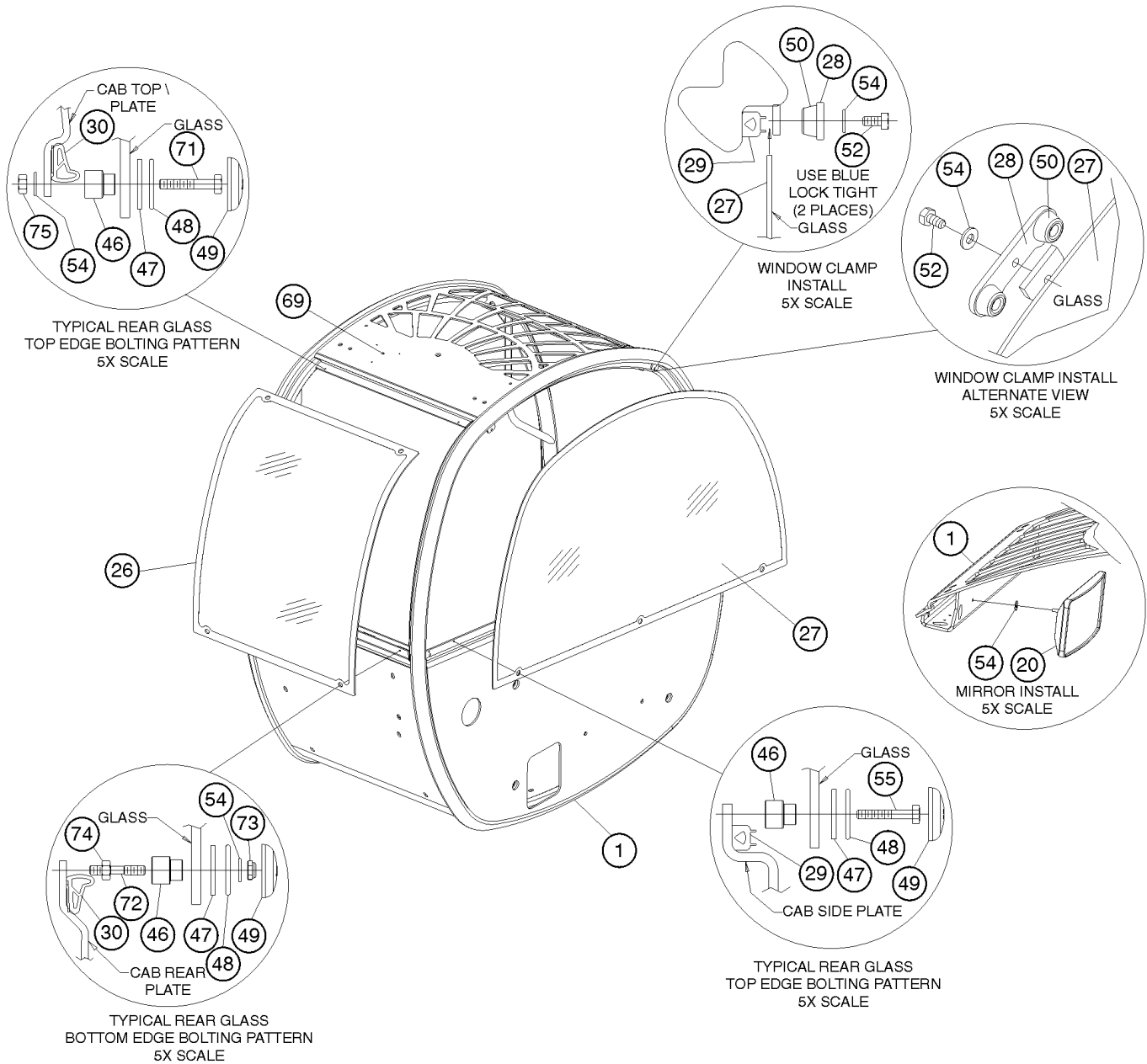
602.1 Operators Compartment Assembly, View 2



## 602.1 Operators Compartment Assembly, View 2

| Item | Part No.  | Description   | Qty. | Item | Part No. | Description               | Qty. |
|------|-----------|---|------|------|----------|---------------------------|------|
| 21   | 94195     | SCREW,HHC,3/8-16 X .75,GR 8.....6   |      | 70   | 123572   | HOLE PLUG, 3 IN.....7     |      |
| 23   | 108717    | SCREW,BHHS,1/4-20X5/8,BLK.....2   |      | 79   | 7-144-09 | HOLE PLUG,1 1/8 DIA.....1 |      |
| 24   | 108585    | SCREW,BHHS,3/8-16X.75,GR5.....18  |      | 80   | 7-144-08 | HOLE PLUG, 5/16 DIA.....2 |      |
| 25   | 6097      | WASHER,FLAT,USS,3/8",Y.....18   |      |      |          |                           |      |
| 31   | 7-132-147 | DASH PANEL,STCIII.....1   |      |      |          |                           |      |
| 32   | 7-132-148 | PLATE, JOYSTICK MOUNT.....1   |      |      |          |                           |      |
| 33   | 7-132-149 | PLATE, STEERING SELECTOR<br>MOUNT.....1   |      |      |          |                           |      |
| 34   | 7-132-150 | PLATE, SEAT MOUNT.....1   |      |      |          |                           |      |
| 35   | 7-132-151 | COVER, SIDE CONSOLE.....1   |      |      |          |                           |      |
| 36   | 7-132-152 | PANEL, FUSE BLOCK.....1   |      |      |          |                           |      |
| 37   | 7-132-153 | PANEL, STEERING ORBITAL<br>ACCESS.....1   |      |      |          |                           |      |
| 38   | 7-132-154 | PLATE, PEDAL MOUNTING.....1   |      |      |          |                           |      |
| 39   | 7-132-155 | CONSOLE, FRONT.....1  |      |      |          |                           |      |
| 40   | 7-132-156 | SEAT BASE.....1   |      |      |          |                           |      |
| 41   |           | Ref. SIDE<br>CONSOLE,PLASTIC,STCIII.....Ref.<br><i>(no longer available, refer to item 43,<br/>below)</i> |      |      |          |                           |      |
| 42   | 7-132-159 | Hinged Arm Rest, Black Plastic...Ref.   |      |      |          |                           |      |
| 43   | 7-132-166 | SIDE CONSOLE ASSEMBLY.....1<br><i>includes items 41 and 42</i>  |      |      |          |                           |      |
| 44   | 108675    | HEATER LOUVER,STL,12GA.....1  |      |      |          |                           |      |
| 45   | 7-132-108 | SEAT MOUNT RISER.....1  |      |      |          |                           |      |
| 51   | 6-5204-06 | SCREW,HHC,1/4-20X.75,GR8.....26   |      |      |          |                           |      |
| 52   | 6-5204-04 | SCREW,HHC,1/4-20X.5,GR8.....3   |      |      |          |                           |      |
| 53   | 6356      | WASHER,LOCK,.25.....27  |      |      |          |                           |      |
| 54   | 6-6212-04 | WASHER,FLAT,.250,<br>HARDENED.....34  |      |      |          |                           |      |
| 56   | 77692     | SCREW,HHC,3/8-16 X 1 GRD 8....4   |      |      |          |                           |      |
| 57   | 19934     | WASHER,3/8<br>HARD.STEEL-FLAT,USS.....10  |      |      |          |                           |      |
| 58   | 7-194-82  | BOLT,1/4-20 TRI-WING KNOB.....1   |      |      |          |                           |      |
| 59   | 6-5205-08 | SCREW,HHC,5/16-18X1.....4   |      |      |          |                           |      |
| 60   | 57201     | WASHER,FLAT, 313,<br>HARDENED.....8   |      |      |          |                           |      |
| 61   | 6-6205-05 | NUT,NYLOCK,5/16-18,GR8.....4  |      |      |          |                           |      |
| 62   | 6021      | WASHER,LOCK,.375.....6  |      |      |          |                           |      |
| 66   | 7-144-03  | HOLE PLUG, 3/4 DIA.....2  |      |      |          |                           |      |
| 67   | 7-144-08  | HOLE PLUG, 5/16 DIA.....4   |      |      |          |                           |      |
| 68   | 7-144-01  | HOLE PLUG, 7/16 DIA.....2   |      |      |          |                           |      |

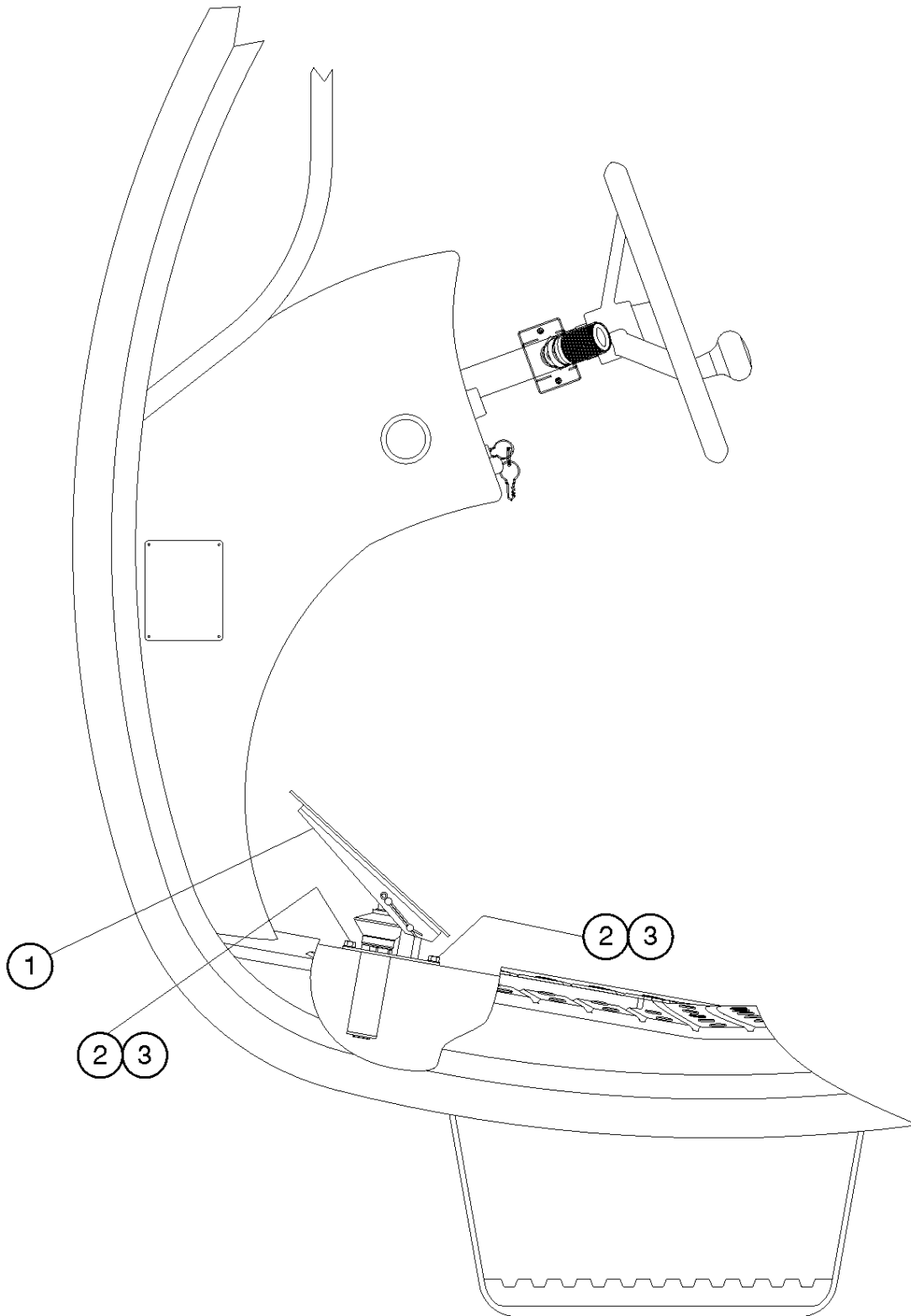
603.1 Operators Compartment Assembly, View 3



## 603.1 Operators Compartment Assembly, View 3

| Item | Part No.  | Description  | Qty. |
|------|-----------|--|------|
| --   | 138029    | R.H. PANEL / SAF-T-CAB III   |      |
| 1A   | 141788    | CANOPY ASSY,ISO<br>MOUNTED,STCIII.....                                     | 1    |
| 1B   | 108570    | CAB, OPEN WITH PLEXIGLASS<br>(option)                                      |      |
| 20   | 123573    | MIRROR, INTERIOR.....  | 1    |
| 26   | 130294    | GLASS / REAR.....  | 1    |
| 27   | 130295    | GLASS / RH SIDE / SAF-T-CAB II....   | 1    |
| 28   | 7-132-145 | CLIP / GLASS RETAINER.....<br>(does not include rubber bumper, item<br>50) | 2    |
| 29   | 7-132-146 | WINDOW / RUBBER MOUNTING /<br>PE.....                                      | 172" |
| 30   | 7-132-146 | WINDOW / RUBBER MOUNTING /<br>PE.....                                      | 136" |
| 46   | 7-132-247 | SPACER / GLASS.....  | 7    |
| 47   | 7-132-246 | RUBBER SEAL WASHER.....  | 7    |
| 48   | 7-132-84  | WASHER,STC PLASTIC COVER....   | 7    |
| 49   | 7-132-74  | COVER,STC PLASTIC BOLT.....  | 7    |
| 50   | 7-132-164 | RUBBER BUMPER / STICK ON....   | 4    |
| 52   | 6-5204-04 | SCREW,HHC,1/4-20X.5,GR8.....   | 3    |
| 54   | 6-6212-04 | WASHER,FLAT,.250,<br>HARDENED.....   | 34   |
| 55   | 6-5204-10 | SCREW,1/4-20 X 1.25,GR8.....   | 3    |
| 69   | 7-144-07  | HOLE PLUG, 3/8 DIA.....  | 1    |
| 71   | 6-5204-12 | SCREW,HHC,1/4-20 X1.50,GR8....   | 2    |
| 72   | 7-132-244 | STUD / 1/4-20 / PLATED.....  | 2    |
| 73   | 7-132-245 | NUT / NYLOCK JAM.....  | 2    |
| 74   | 6-6201-04 | NUT,HEX,1/4-20.....  | 2    |
| 75   | 6091      | NUT,NYLOCK,1/4-20.....   | 2    |

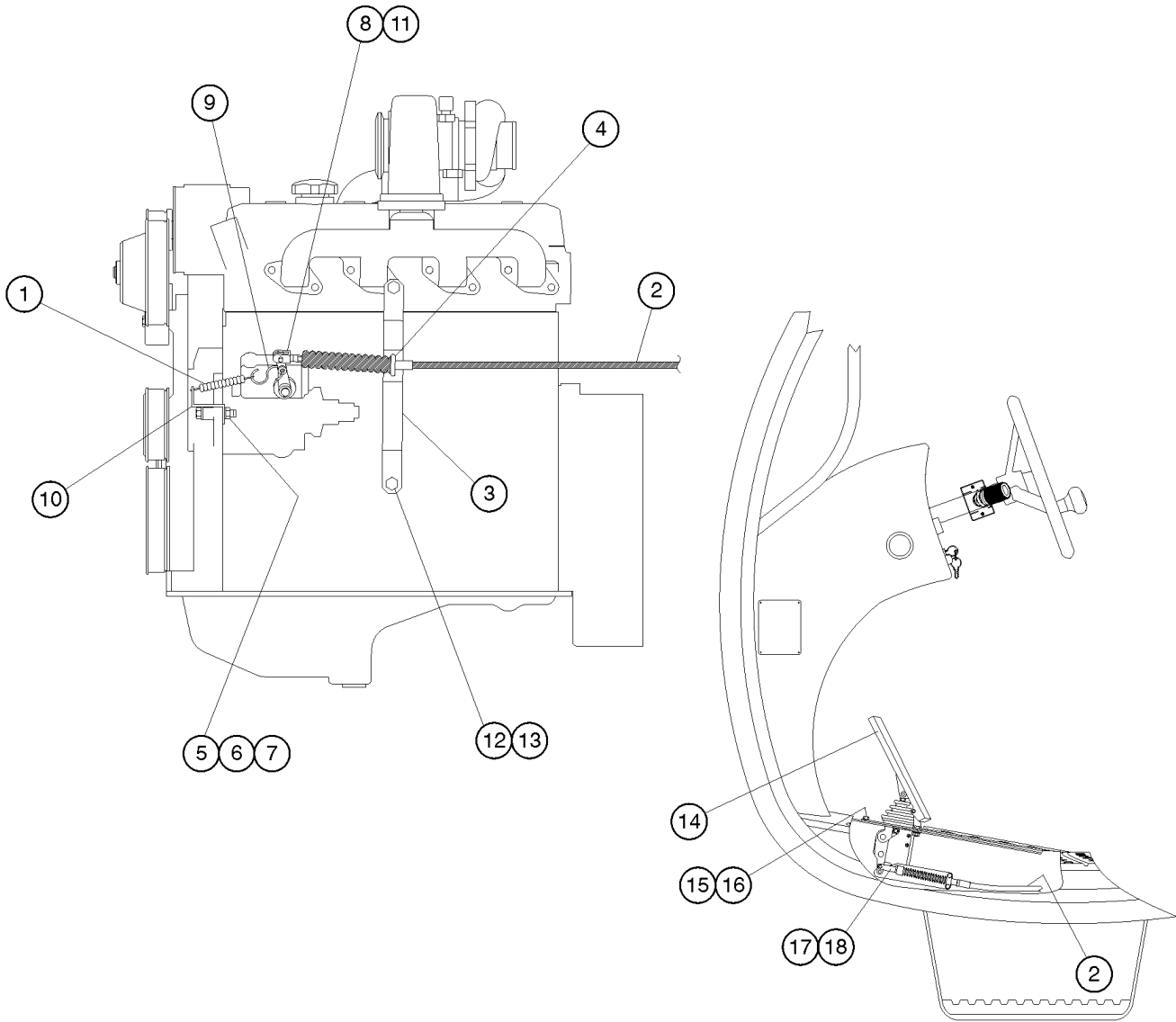
604.1 Foot Brake Assembly



604.1 Foot Brake Assembly

| Item | Part No.  | Description                         | Qty. |
|------|-----------|-------------------------------------|------|
| 1    | 117694    | BRAKE PEDAL,FLOOR<br>MOUNT.....Ref. |      |
| 2    | 6-5204-06 | SCREW,HHC,1/4-20X.75,GR8.....4      |      |
| 3    | 6356      | WASHER,LOCK,.25.....4               |      |

605.1 Accelerator Assembly with Pedal End

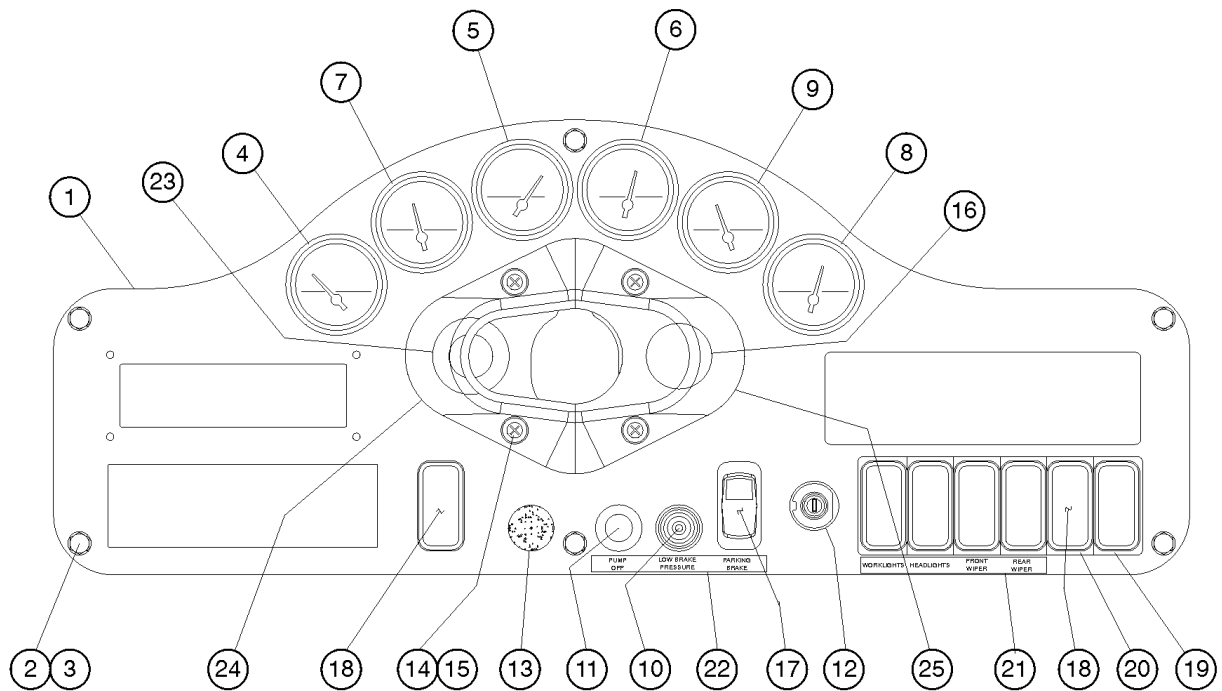




## 605.1 Accelerator Assembly with Pedal End

| Item | Part No.  | Description                           | Qty. |
|------|-----------|---------------------------------------|------|
| 1    | 7-194-20  | SPRING.....                           | 1    |
| 2    | 7-183-240 | ACCELERATOR CABLE /<br>SAF-T-CAB..... | 1    |
| 3    | 3-1213    | MOUNT / ACCELERATOR<br>CABLE.....     | 1    |
| 4    | 7-194-07  | U-BOLT W/ NUTS.....                   | 1    |
| 5    | 6-8108-55 | HEX HEAD CAPSCREW.....                | 1    |
| 6    | 6-9111-08 | 8MM LOCKWASHER.....                   | 1    |
| 7    | 6-9101-08 | 8MM X 1.25 HEX NUT.....               | 1    |
| 8    | 21130     | CLEVIS YOKE-1/4-28,PLTD<br>W/PIN..... | 1    |
| 9    | 7-194-18  | S-HOOK.....                           | 1    |
| 10   | 1-1017    | MOUNT / RETURN SPRING.....            | 1    |
| 11   | 6-6208-04 | JAM NUT, 1/4-28.....                  | Ref. |
| 12   | 6-8514-25 | CAPSCREW / HEX HEAD.....              | Ref. |
| 13   | 37505     | WASHER,LOCK,M14.....                  | Ref. |
| 14A  | 7-120-11  | ACCELERATOR PEDAL.....                | 1    |
|      |           | (Tier 2)                              |      |
| 14B  | 130859    | THROTTLE PEDAL,FLOOR<br>MNT,W-C       |      |
|      |           | (Tier 3)                              |      |
| --   | 123651    | HARNES,THROTTLE PEDAL                 |      |
|      |           | (Tier 3)                              |      |
| 15   | 6-5204-06 | SCREW,HHC,1/4-20X.75,GR8.....         | 3    |
| 16   | 6356      | WASHER,LOCK,.25.....                  | 3    |
| 17   | 21130     | CLEVIS YOKE-1/4-28,PLTD<br>W/PIN..... | 1    |
| 18   | 6-6208-04 | JAM NUT, 1/4-28.....                  | Ref. |

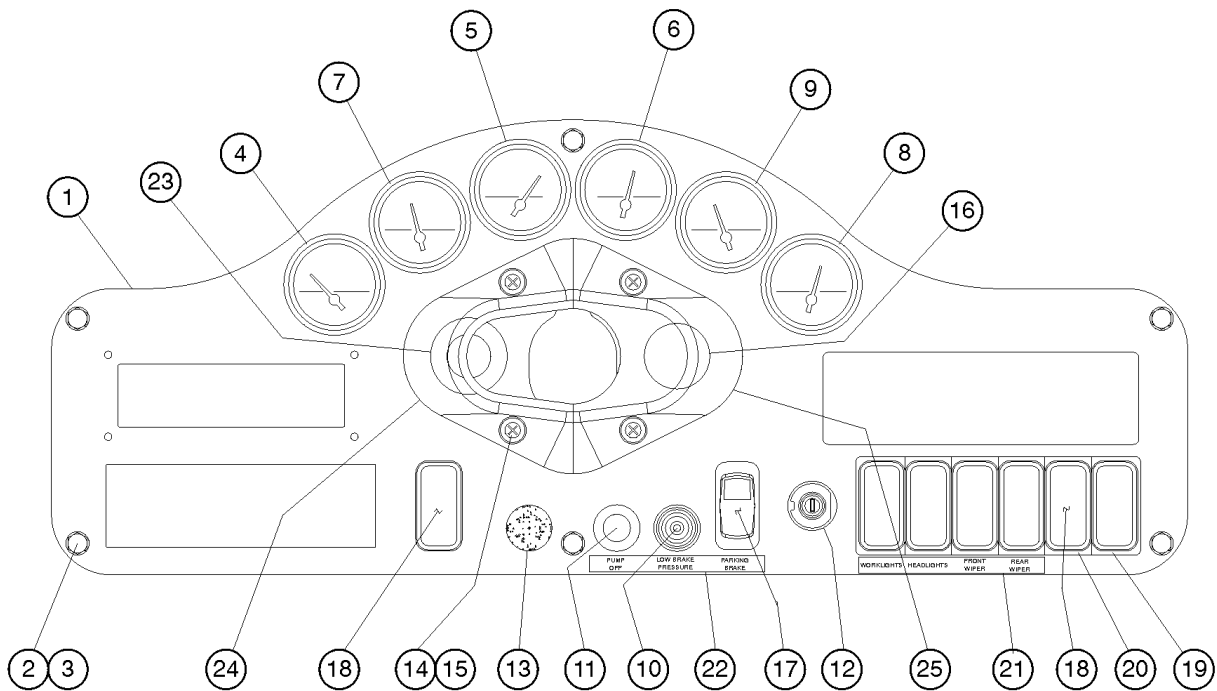
606.1 Instrument Panel Assembly (before serial number GTH0608A-12690)



## 606.1 Instrument Panel Assembly (before serial number GTH0608A-12690)

| Item | Part No.  | Description                             | Qty.                     |
|------|-----------|---|--------------------------|
| 1    | 7-132-147 | DASH PANEL,STCIII.....                  | Ref.                     |
| 2    | 6-5204-04 | SCREW,HHC,1/4-20X.5,GR8.....            | 6                        |
| 3    | 6356      | WASHER,LOCK,..25.....                   | 6                        |
| 4    | 7-169-01  | FUEL GAUGE.....                         | 1                        |
| 5    | 7-169-02  | GAUGE, ENG OIL PRESSURE.....            | 1                        |
| 6    | 7-169-03  | GAUGE, TRANSMISSION OIL<br>TEMP.....    | 1                        |
| 7    | 7-169-04  | GAUGE,ENGINE WATER TEMP.....            | 1                        |
| 8    | 7-169-05  | VOLTMETER GAUGE.....                    | 1                        |
| 9    | 7-169-06  | GAUGE,TRANSMISSION OIL<br>PRESS.....    | 1                        |
| 10   | 123203    | WARNING LIGHT.....                      | 1                        |
| 11   | 7-319-03  | SWITCH,PUSHBUTTON.....                  | 1                        |
| 12   | 123196    | SWITCH, IGNITION.....                   | Ref.                     |
| 13   | 7-144-02  | HOLE PLUG, 5/8 DIA.....                 | 1                        |
| 14   | 49818     | SCREW,PHILLIPS,PHM,10-32 X<br>.38.....  | 4                        |
| 15   | 6146      | WASHER,FLAT,MS,#10,Y.....               | 4                        |
| 16   | 7-144-11  | HOLE PLUG, 1 3/8.....                   | 1                        |
| 17   | 123200    | SWITCH, PARKING BRAKE.....              | 1                        |
| 18   | 123567    | PANEL PLUG.....                         | 7                        |
| 19   | 123568    | END BEZEL.....                          | 2                        |
| 20   | 123569    | CENTER BEZEL.....                       | 4                        |
| 21   |           | Ref. DECAL,DASH GANG<br>SWITCHES.....   | Ref.<br>(refer to 102.1) |
| 22   |           | Ref. DECAL,PB,WARNING LT &<br>PUMP..... | Ref.<br>(refer to 102.1) |
| 23   | 7-194-40  | GROMMET.....                            | 1                        |
| 24   | 7-132-214 | PLASTIC STEER COLUMN COVER<br>LH.....   | Ref.                     |
| 25   | 7-132-215 | PLASTIC STEER COLUMN COVER<br>RH.....   | Ref.                     |

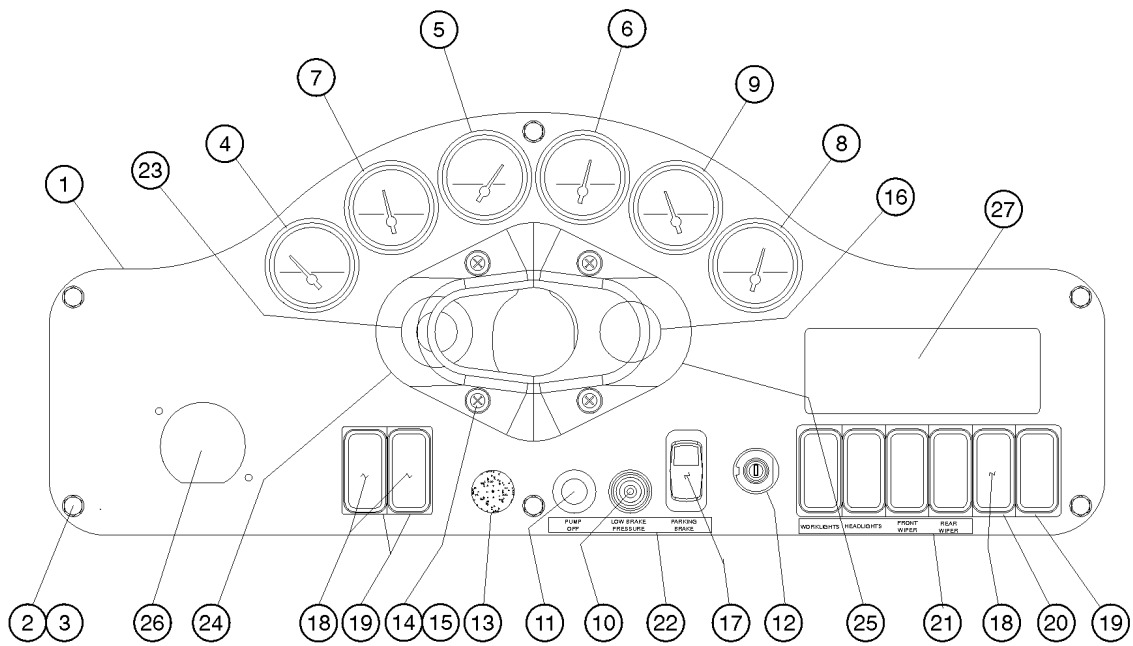
606.1 Instrument Panel Assembly (before serial number GTH0808A-12690)



## 606.1 Instrument Panel Assembly (before serial number GTH0808A-12690)

| Item | Part No.  | Description  | Qty. |
|------|-----------|--|------|
| 1    | 7-132-147 | DASH PANEL,STCIII.....Ref.<br><i>GTH0808A-12355 refer to 606.2</i>     |      |
| --   | 7-181-06  | CONTROL PANEL HEAT ONLY  |      |
| 2    | 6-5204-04 | SCREW,HHC,1/4-20X.5,GR8.....6  |      |
| 3    | 6356      | WASHER,LOCK,.25.....6  |      |
| 4    | 7-169-01  | FUEL GAUGE.....1   |      |
| 5    | 7-169-02  | GAUGE, ENG OIL PRESSURE.....1  |      |
| 6    | 7-169-03  | GAUGE, TRANSMISSION OIL<br>TEMP.....1                                  |      |
| 7    | 7-169-04  | GAUGE,ENGINE WATER TEMP.....1  |      |
| 8    | 7-169-05  | VOLTMETER GAUGE.....1  |      |
| 9    | 7-169-06  | GAUGE,TRANSMISSION OIL<br>PRESS.....1                                  |      |
| 10   | 123203    | WARNING LIGHT.....1  |      |
| 11   | 7-319-03  | SWITCH,PUSHBUTTON.....1  |      |
| 12   | 123196    | SWITCH, IGNITION.....Ref.  |      |
| 13   | 7-144-02  | HOLE PLUG, 5/8 DIA.....1   |      |
| 14   | 49818     | SCREW,PHILLIPS,PHM,10-32 X<br>.38.....4                                |      |
| 15   | 6146      | WASHER,FLAT,MS,#10,Y.....4   |      |
| 16   | 7-144-11  | HOLE PLUG, 1 3/8.....1   |      |
| 17   | 123200    | SWITCH, PARKING BRAKE.....1  |      |
| 18   | 123567    | PANEL PLUG.....7   |      |
| 19   | 123568    | END BEZEL.....2  |      |
| 20   | 123569    | CENTER BEZEL.....4   |      |
| 21   |           | Ref. DECAL,DASH GANG<br>SWITCHES.....Ref.<br><i>(refer to 102.1)</i>   |      |
| 22   |           | Ref. DECAL,PB,WARNING LT &<br>PUMP.....Ref.<br><i>(refer to 102.1)</i> |      |
| 23   | 7-194-40  | GROMMET.....1  |      |
| 24   | 7-132-214 | PLASTIC STEER COLUMN COVER<br>LH.....Ref.                              |      |
| 25   | 7-132-215 | PLASTIC STEER COLUMN COVER<br>RH.....Ref.                              |      |

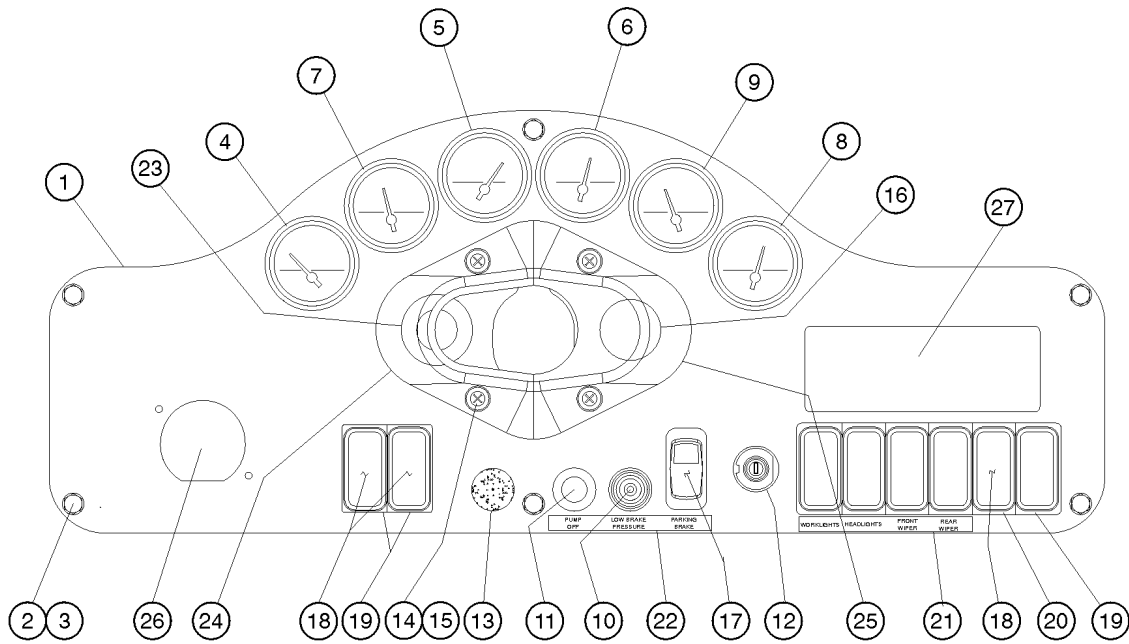
606.2 Instrument Panel Assembly (from serial number GTH0608A-12690)



## 606.2 Instrument Panel Assembly (from serial number GTH0608A-12690)

| Item | Part No.  | Description   | Qty. |
|------|-----------|---|------|
| 1    | 130814    | DASH PANEL,STCIII.....Ref.<br>GTH0608A-1295 & 96 refer to 606.1 |      |
| 2    | 6-5204-04 | SCREW,HHC,1/4-20X.5,GR8.....6                                   | 6    |
| 3    | 6356      | WASHER,LOCK,.25.....6   | 6    |
| 4    | 7-169-01  | FUEL GAUGE.....1  | 1    |
| 5    | 7-169-02  | GAUGE, ENG OIL PRESSURE.....1                                   | 1    |
| 6    | 7-169-03  | GAUGE, TRANSMISSION OIL<br>TEMP.....1                           | 1    |
| 7    | 7-169-04  | GAUGE,ENGINE WATER TEMP....1                                    | 1    |
| 8    | 7-169-05  | VOLTMETER GAUGE.....1   | 1    |
| 9    | 7-169-06  | GAUGE,TRANSMISSION OIL<br>PRESS.....1                           | 1    |
| 10   | 123203    | WARNING LIGHT.....1   | 1    |
| 11   | 7-319-03  | SWITCH,PUSHBUTTON.....1   | 1    |
| 12   | 123196    | SWITCH, IGNITION.....Ref.                                       |      |
| 13   | 7-144-02  | HOLE PLUG, 5/8 DIA.....1  | 1    |
| 14   | 49818     | SCREW,PHILLIPS,PHM,10-32 X<br>.38.....4                         | 4    |
| 15   | 6146      | WASHER,FLAT,MS,#10,Y.....4                                      | 4    |
| 16   | 7-144-11  | HOLE PLUG, 1 3/8.....1  | 1    |
| 17   | 123200    | SWITCH, PARKING BRAKE.....1                                     | 1    |
| --   | 130870    | SINGLE BEZEL.....1  | 1    |
| 18   | 123567    | PANEL PLUG.....8  | 8    |
| 19   | 123568    | END BEZEL.....2   | 2    |
| 20   | 123569    | CENTER BEZEL.....4  | 4    |
| 21   |           | DECAL,DASH GANG<br>SWITCHES.....Ref.<br>(refer to 102.1)        |      |
| 22   |           | DECAL,PB,WARNING LT &<br>PUMP.....Ref.<br>(refer to 102.1)      |      |
| 23   | 7-194-40  | GROMMET.....1   | 1    |
| 24   | 7-132-214 | PLASTIC STEER COLUMN COVER<br>LH.....Ref.                       |      |
| 25   | 7-132-215 | PLASTIC STEER COLUMN COVER<br>RH.....Ref.                       |      |
| 26   | 130813    | COVER, CONTROL PANEL.....1                                      | 1    |
| --   | 15513     | NUT,HEX,10-32.....2   | 2    |
| --   | 49816     | SCREW,PHILLIPS,PHM,10-32 X<br>.75.....2                         | 2    |

606.2 Instrument Panel Assembly (from serial number GTH0808A-12690)

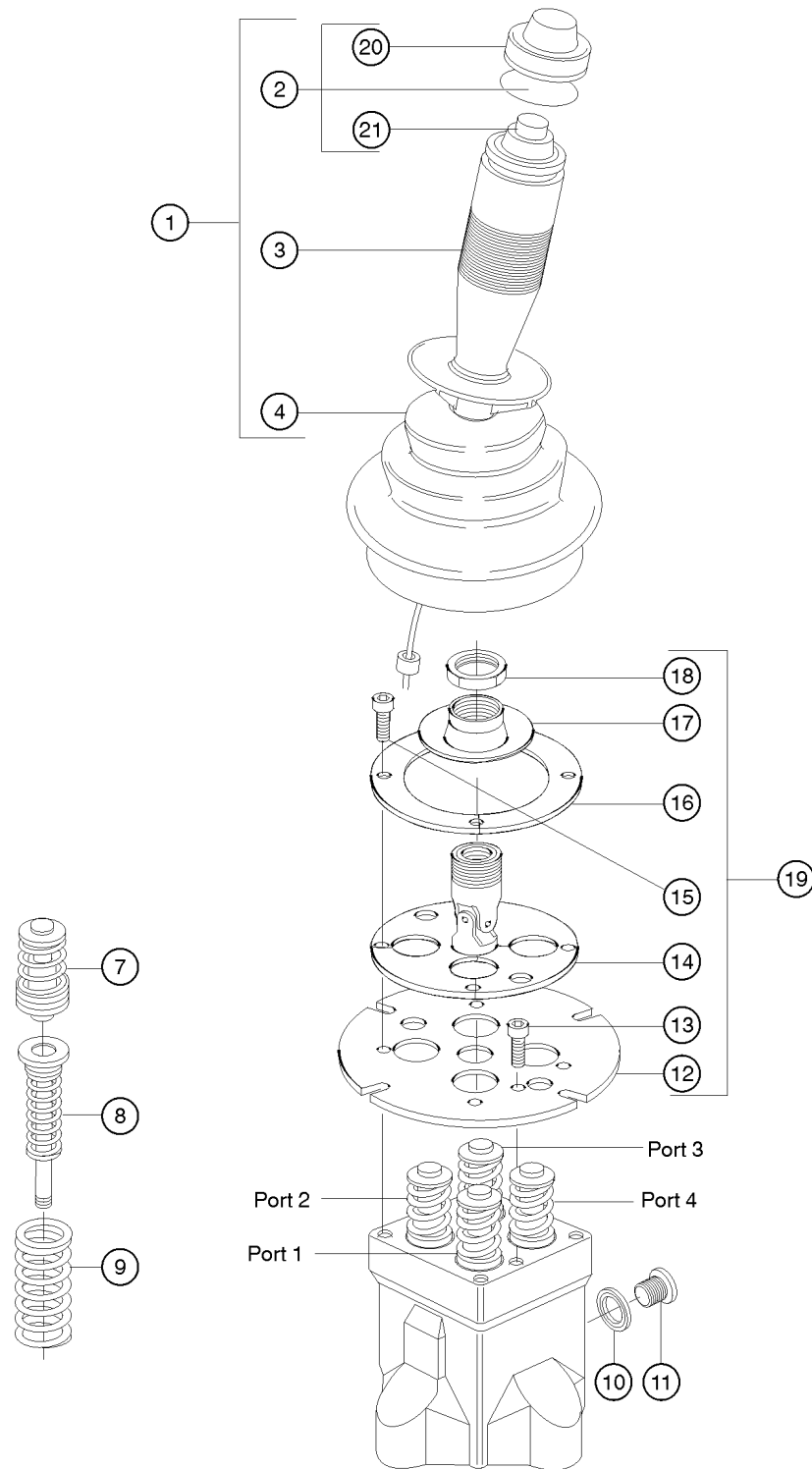




606.2 Instrument Panel Assembly (from serial number GTH0808A-12690)

| Item | Part No.  | Description   | Qty. | Item | Part No. | Description             | Qty. |
|------|-----------|---|------|------|----------|-------------------------|------|
| 1    | 130814    | DASH PANEL,STCIII.....  | Ref. | 27   | 7-181-06 | CONTROL PANEL HEAT ONLY |      |
| 2    | 6-5204-04 | SCREW,HHC,1/4-20X.5,GR8.....                                    | 6    |      |          |                         |      |
| 3    | 6356      | WASHER,LOCK,..25.....   | 6    |      |          |                         |      |
| 4    | 7-169-01  | FUEL GAUGE.....   | 1    |      |          |                         |      |
| 5    | 7-169-02  | GAUGE, ENG OIL PRESSURE.....                                    | 1    |      |          |                         |      |
| 6    | 7-169-03  | GAUGE, TRANSMISSION OIL<br>TEMP.....                            | 1    |      |          |                         |      |
| 7    | 7-169-04  | GAUGE,ENGINE WATER TEMP.....                                    | 1    |      |          |                         |      |
| 8    | 7-169-05  | VOLTMETER GAUGE.....  | 1    |      |          |                         |      |
| 9    | 7-169-06  | GAUGE,TRANSMISSION OIL<br>PRESS.....                            | 1    |      |          |                         |      |
| 10   | 123203    | WARNING LIGHT.....  | 1    |      |          |                         |      |
| 11   | 7-319-03  | SWITCH,PUSHBUTTON.....  | 1    |      |          |                         |      |
| 12   | 123196    | SWITCH, IGNITION.....   | Ref. |      |          |                         |      |
| 13   | 7-144-02  | HOLE PLUG, 5/8 DIA.....   | 1    |      |          |                         |      |
| 14   | 49818     | SCREW,PHILLIPS,PHM,10-32 X<br>.38.....                          | 4    |      |          |                         |      |
| 15   | 6146      | WASHER,FLAT,MS,#10,Y.....                                       | 4    |      |          |                         |      |
| 16   | 7-144-11  | HOLE PLUG, 1 3/8.....   | 1    |      |          |                         |      |
| 17   | 123200    | SWITCH, PARKING BRAKE.....                                      | 1    |      |          |                         |      |
| --   | 130870    | SINGLE BEZEL.....   | 1    |      |          |                         |      |
| 18   | 123567    | PANEL PLUG.....   | 8    |      |          |                         |      |
| 19   | 123568    | END BEZEL.....  | 2    |      |          |                         |      |
| 20   | 123569    | CENTER BEZEL.....   | 4    |      |          |                         |      |
| 21   |           | DECAL,DASH GANG<br>SWITCHES.....                                | Ref. |      |          |                         |      |
|      |           | <i>(refer to 102.1)</i>   |      |      |          |                         |      |
| 22   |           | DECAL,PB,WARNING LT &<br>PUMP.....                              | Ref. |      |          |                         |      |
|      |           | <i>(refer to 102.1)</i>   |      |      |          |                         |      |
| 23   | 7-194-40  | GROMMET.....  | 1    |      |          |                         |      |
| 24   | 7-132-214 | PLASTIC STEER COLUMN COVER<br>LH.....                           | Ref. |      |          |                         |      |
| 25   | 7-132-215 | PLASTIC STEER COLUMN COVER<br>RH.....                           | Ref. |      |          |                         |      |
| 26   | 130813    | COVER, CONTROL PANEL.....                                       | 1    |      |          |                         |      |
| --   | 123273    | DISPLAY,ENGINE DIAGNOSTIC.....                                  | 1    |      |          |                         |      |
| --   | 130816    | HARNES, TIER 3 ADAPTER.....                                     | 1    |      |          |                         |      |
|      |           | <i>(goes between engine harness and<br/>diagnostic display)</i> |      |      |          |                         |      |
| --   | 15513     | NUT,HEX,10-32.....  | 2    |      |          |                         |      |
| --   | 49816     | SCREW,PHILLIPS,PHM,10-32 X<br>.75.....                          | 2    |      |          |                         |      |

607.1 4-Way Controller Assembly

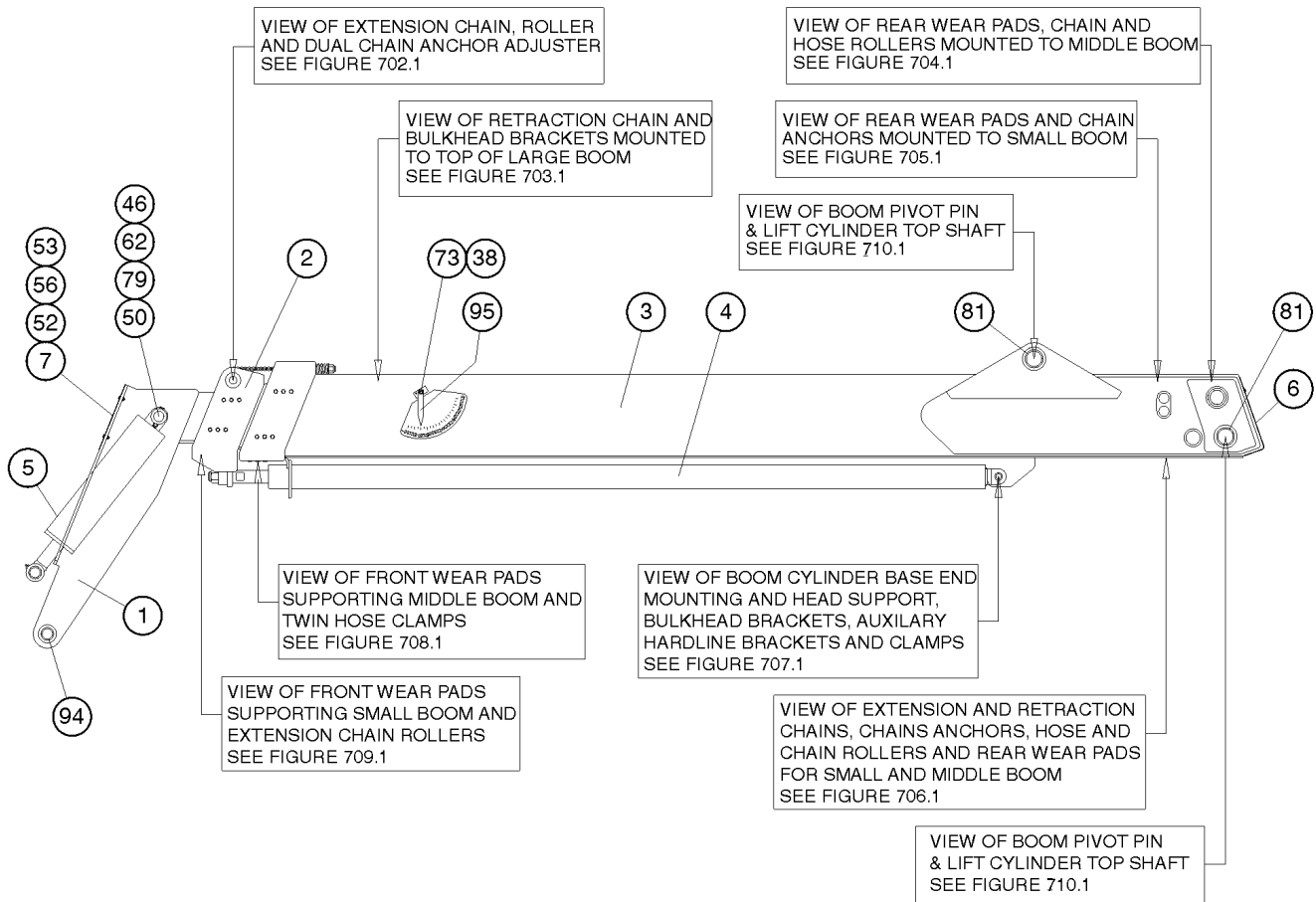


607.1 4-Way Controller Assembly

| Item | Part No.  | Description   | Qty. | Item | Part No.  | Description                             | Qty. |
|------|-----------|---|------|------|-----------|---|------|
| --   | 7-200-139 | CONTROLLER, 4 WAY   |      | 19   | 7-200-155 | MOUNTING PLATE (FOR 7-200-139).....Ref. |      |
| --   | 7-200-163 | HANDLE ASSY / STEEL<br><i>STEEL replacement handle assy (does not include item 6; order separately)</i>                             |      |      |           | <i>includes items 12-18</i>             |      |
| 1    | 7-200-15  | HANDLE ASSEMBLY.....Ref.<br><i>PLASTIC handle assy, includes items 2-6 and 18 (does not include p/n 7-200-18; order separately)</i> |      | 20   | 7-200-09  | SEALING CAP                             |      |
| --   | 7-200-17  | WIRE.....1<br><i>switch wire harness, not shown</i>   | 1    | 21   | 7-200-07  | SWITCH, 4-WAY CONTROLLER                |      |
| --   | 7-200-18  | ZIP TIE.....2<br><i>for switch wire harness, not shown</i>  | 2    |      |           |   |      |
| 2    | 238363    | SERV KIT, CONTROL, HANDLE SWITCH.....1<br><i>Includes 7-200-07, 7-200-09, lock ring and collar</i>                                  | 1    |      |           |   |      |
| 3    | 7-200-14  | HANDLE GRIP.....1<br><i>Plastic, sold as package of 2 pcs.</i>  | 1    |      |           |   |      |
| 4    | 7-200-05  | BOOT.....1  | 1    |      |           |   |      |
| --   | 49363     | NUT,NYLOCK,M4X.70.....2<br><i>not shown</i>   | 2    |      |           |   |      |
| --   | 7-200-11  | SCREW,M3-0.5X4.....2<br><i>not shown</i>  | 2    |      |           |   |      |
| --   | 7-200-12  | SCREW,SHC,M4-0.7X10.....2<br><i>not shown</i>   | 2    |      |           |   |      |
| --   | 7-200-140 | LEVER.....1<br><i>inside joystick handle, not shown</i>   | 1    |      |           |   |      |
| --   | 7-200-19  | CLAMPING RING.....1<br><i>not shown</i>   | 1    |      |           |   |      |
| 7A   | 7-200-128 | SPRING PIN KIT.....4  | 4    |      |           |   |      |
| 7B   | 7-200-129 | SPRING PIN KIT (FOR 7-200-81)   |      |      |           |   |      |
| 8    | 7-200-158 | SPRING PACK / FOR -139.....4  | 4    |      |           |   |      |
| 9    | 7-200-159 | RETURN SPRING / FOR -139.....4  | 4    |      |           |   |      |
| 10   | 7-200-160 | Flat Seal.....1   | 1    |      |           |   |      |
| 11   | 7-200-161 | Plug.....1  | 1    |      |           |   |      |
| 12   |           | Ref. Mounting Plate.....1   | 1    |      |           |   |      |
| 13   | 7-200-157 | Screw.....2   | 2    |      |           |   |      |
| 14   |           | Ref. Swivel Plate.....1   | 1    |      |           |   |      |
| 15   | 7-200-156 | Screw.....4   | 4    |      |           |   |      |
| 16   |           | Ref. Retaining Ring.....1<br><i>(not available seperately)</i>  | 1    |      |           |   |      |
| 17   |           | Ref. Threaded Cap.....1<br><i>(not available seperately)</i>  | 1    |      |           |   |      |
| 18   | 7-200-16  | NUT.....1   | 1    |      |           |   |      |



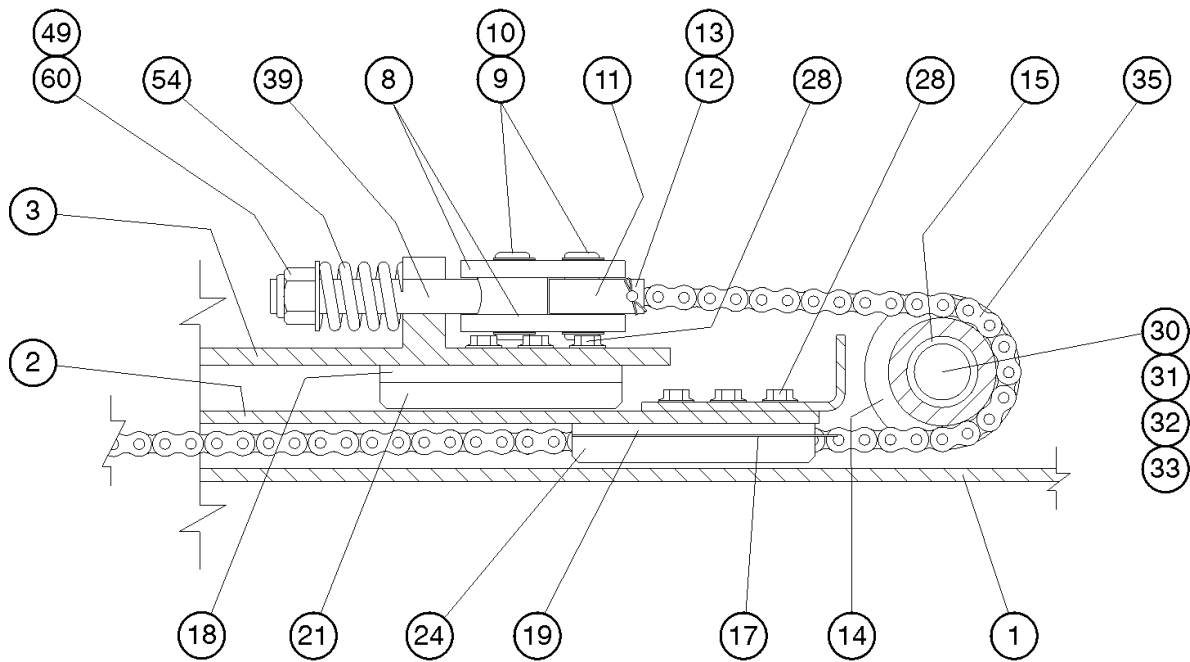
701.1 Boom Assembly, View 1



## 701.1 Boom Assembly, View 1

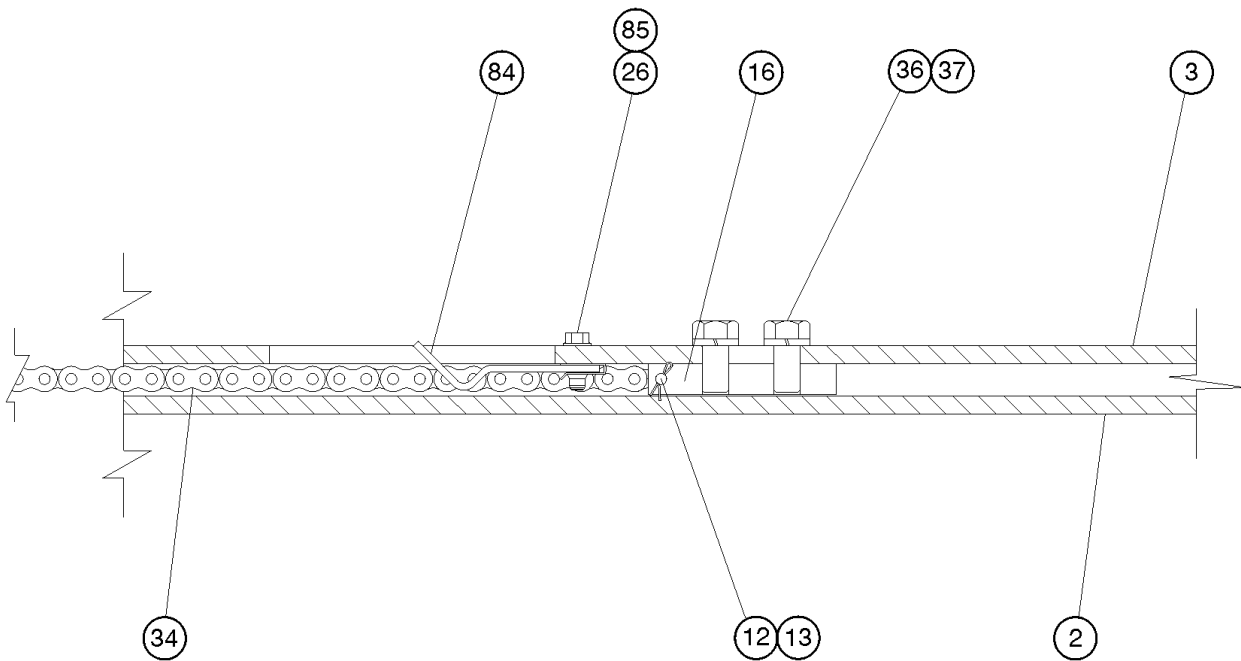
| Item | Part No. | Description  | Qty. |
|------|----------|--|------|
| 1    | 235393   | ASSY,SMALL BOOM W/BRGS.....1<br><i>(must specify color, gray or Genie Blue) (replaced weldment 5-2009 for service parts)</i> |      |
| 2A   | 226876   | ASSY,MID BOOM,BLUE,644.....1   |      |
| 2A   | 226878   | ASSY,MID BOOM,BLUE,842.....1   |      |
| 2A   | 226880   | ASSY,MID BOOM,BLUE,844.....1   |      |
| 2B   | 226877   | ASSY,MID BOOM,GREY,644.....1   |      |
| 2B   | 226879   | ASSY,MID BOOM,GREY,842.....1   |      |
| 2B   | 226881   | ASSY,MID BOOM,GREY,844.....1   |      |
| 3A   | 226222   | LARGE BOOM ASSY GTH-644.....1<br><i>(must specify color, gray or Genie Blue)</i>   |      |
| 3B   | 226218   | LARGE BOOM ASSY,GTH842.....1   |      |
| 3C   | 226223   | LARGE BOOM ASSY,GTH-844.....1  |      |
| 4    |          | Ref. CYLINDER ASSY,BOOM<br>TH844.....1<br><i>(refer to 904.1)</i>  |      |
| 5    |          | Ref. CYLINDER,TILT,<br>GTH8XX,GTH644.....1<br><i>(refer to 903.1)</i>  |      |
| 6    | 5-2032   | COVER,REAR.....1   |      |
| 7    | 5-2033   | COVER,FRONT.....1  |      |
| 38   | 5397     | WASHER,FLAT,USS,5/16",Y.....1  |      |
| 46   | 94643    | ZERK,GREASE,5/16-24,STRAIT.....1   |      |
| 50   | 5-2048-1 | PIN,TILT CYL.....1   |      |
| 52   | 8915     | SCREW,HHC,1/4-20 X 1.25.....6  |      |
| 53   | 6091     | NUT,NYLOCK,1/4-20.....6  |      |
| 56   | 6638     | WASHER,FLAT,USS,1/4"Y.....8  |      |
| 62   | 6198     | NUT,NYLOCK,1/2-13.....5  |      |
| 73   | 47094    | SCREW,HHC,5/16-18 X .50.....1  |      |
| 79   | 47279    | SCREW,HHC,1/2-13 X 3.75.....1  |      |
| 81   | 5-2046-4 | BEARING,3.00IDX3.50ODX2.00L....4   |      |
| 94   | 123188   | BEARING,2.00IDX2.50ODX1.50L....2   |      |
| 95   | 5-2131   | PLATE,ANGLE INDICATOR.....1  |      |

702.1 Boom Assembly, View 2



| Item | Part No.   | Description  | Qty. |
|------|------------|--|------|
| 1    |            | Ref. WELDMENT, SMALL BOOM.....1<br>(refer to 701.1)        |      |
| 2    |            | Ref. ASSY, MID BOOM.....1<br>(refer to 701.1)              |      |
| 3    |            | Ref. LARGE BOOM ASSEMBLY.....1<br>(refer to 701.1)         |      |
| 8    | 123185     | PLATE, CHAIN PIVOT.....2                                   |      |
| 9    | 123184     | PIN, 2 RING GROOVE.....3                                   |      |
| 10   | 44662      | SNAP RING, EXTERNAL, 1.00<br>DIA.....6                     |      |
| 11   | 123186     | ANCHOR, EXTEND CHAIN.....2                                 |      |
| 12   | 130386     | PIN, CHAIN ANCHOR, 2.625X.313...6                          |      |
| 13   | 6-6243-06  | COTTERPIN, 3/32X3/4LG.....12                               |      |
| 14   | 123187     | SHEAVE, CHAIN.....2  |      |
| 14   | 130535     | CHAIN SHEAVE ASSY, POLYGON<br>(includes 123187 and 141309) |      |
| --   | 123187     | SHEAVE, CHAIN.....2  |      |
| 15   | 141309     | BEARING, 1.5 X 2.0 X 2.5.....2                             |      |
| 15   | 5-2046-1   | BEARING, 1.50IDX2.06ODX2.56L....2                          |      |
| 17   | 5-2134     | SHIM, 2X7X.06.....2  |      |
| 18   | 5-2129     | SPACER, 7X3X.50.....8                                      |      |
| 19   | 5-2135     | SPACER, 7X2X.375.....2                                     |      |
| 21   | 5-2100-6   | WEARPAD, 7X3X.75.....14                                    |      |
| 24   | 5-2133-6   | WEARPAD, 7X2X.75.....2                                     |      |
| 28   | T106381    | FLGHC, 1/2-13X15, GR5, ZN, LOC...24                        |      |
| 30   | 5-2041-18  | PIN, 1.5DIA X 15.5LG, 1 CROSS<br>HOLE.....1                |      |
| 31   | 36603      | WASHER, FLAT, 1.56 X 3.5 X .061....4                       |      |
| 32   | 6605       | SCREW, HHC, 3/8-16 X 3.5, GR5.....1                        |      |
| 33   | 4828       | NUT, NYLOCK, 3/8-16.....4                                  |      |
| 35   | 5-2040-257 | CHAIN, BL-666 LEAF, 257 LINKS....2                         |      |
| 39   | 5-2030     | ROD END, CHAIN TENSIONER.....1                             |      |
| 49   | 13775      | WASHER, FLAT, 1.063 X 2 X .134....1                        |      |
| 54   | 123169     | SPRING, COMPRESSION.....1                                  |      |
| 60   | 5-2137     | NUT, NYLOCK, 1-14.....1                                    |      |

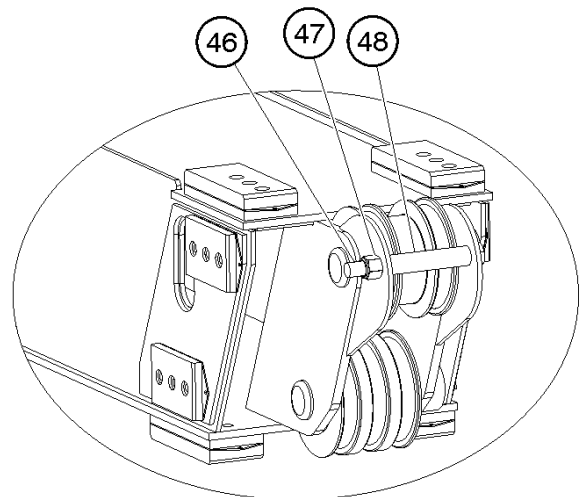
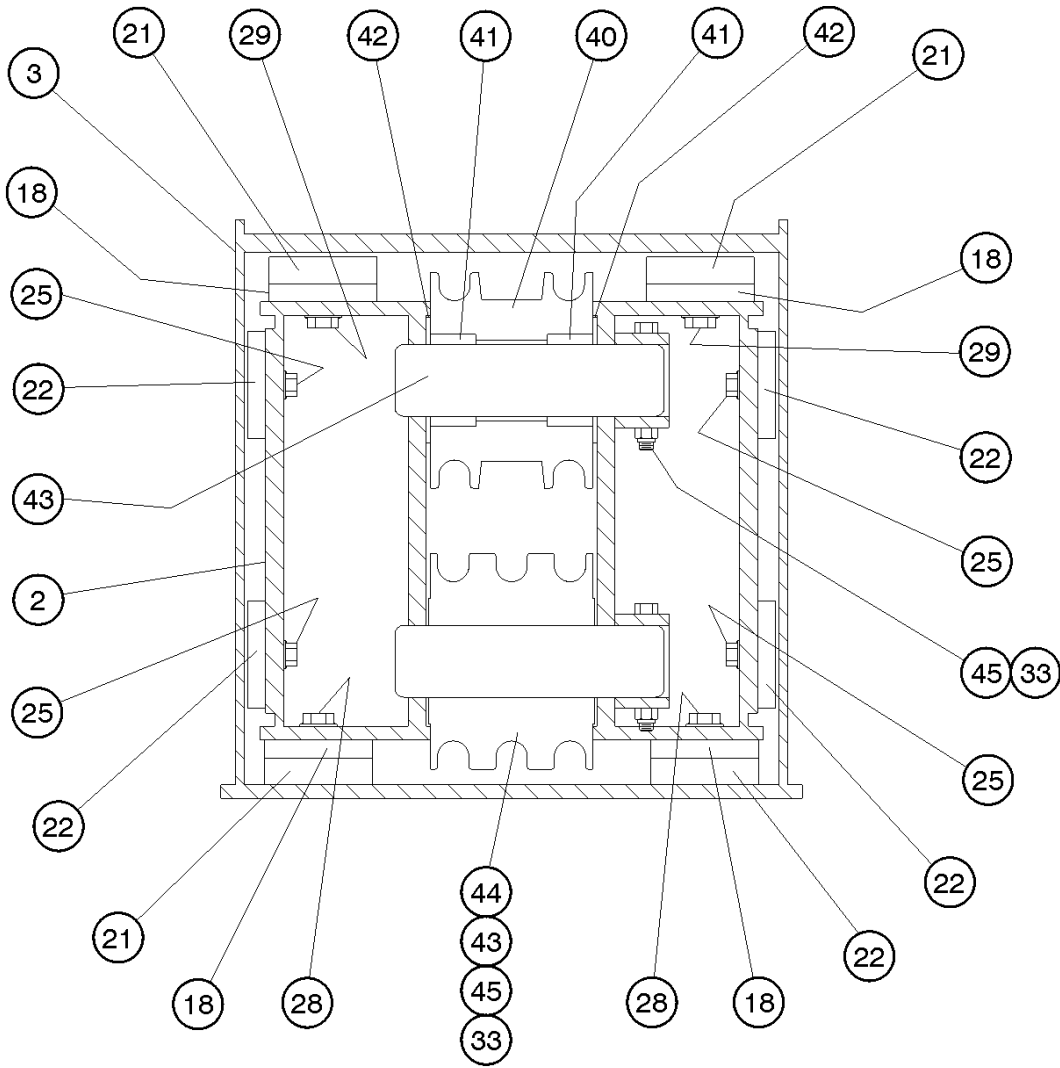
703.1 Boom Assembly, View 3





| Item | Part No.   | Description  | Qty. |
|------|------------|--|------|
| 2    |            | Ref. ASSY,MID BOOM.....1<br>(refer to 701.1)       |      |
| 3    |            | Ref. LARGE BOOM ASSEMBLY.....1<br>(refer to 701.1) |      |
| 12   | 130386     | PIN,CHAIN ANCHOR,2.625X.313...6                    |      |
| 13   | 6-6243-06  | COTTERPIN,3/32X3/4LG.....12                        |      |
| 16   | 123168     | CHAIN ANCHOR, BOLT ON.....1                        |      |
| 26   | T106382    | FLGHCS,3/8-16X1.25.GR5,ZN,LOC.26                   |      |
| 34   | 5-2040-243 | CHAIN,BL-666 LEAF,243 LINKS.....1                  |      |
| 36   | 123548     | SCREW,HHC,3/4-16X1.5,GR8.....2                     |      |
| 37   | 34550      | WASHER,LOCK,.75 PLTD.....2                         |      |
| 84   | 5-2095     | FORMING,BULKHEAD BRKT.....2                        |      |
| 85   | 29868      | SPRING CLIP,3/8-16.....2                           |      |

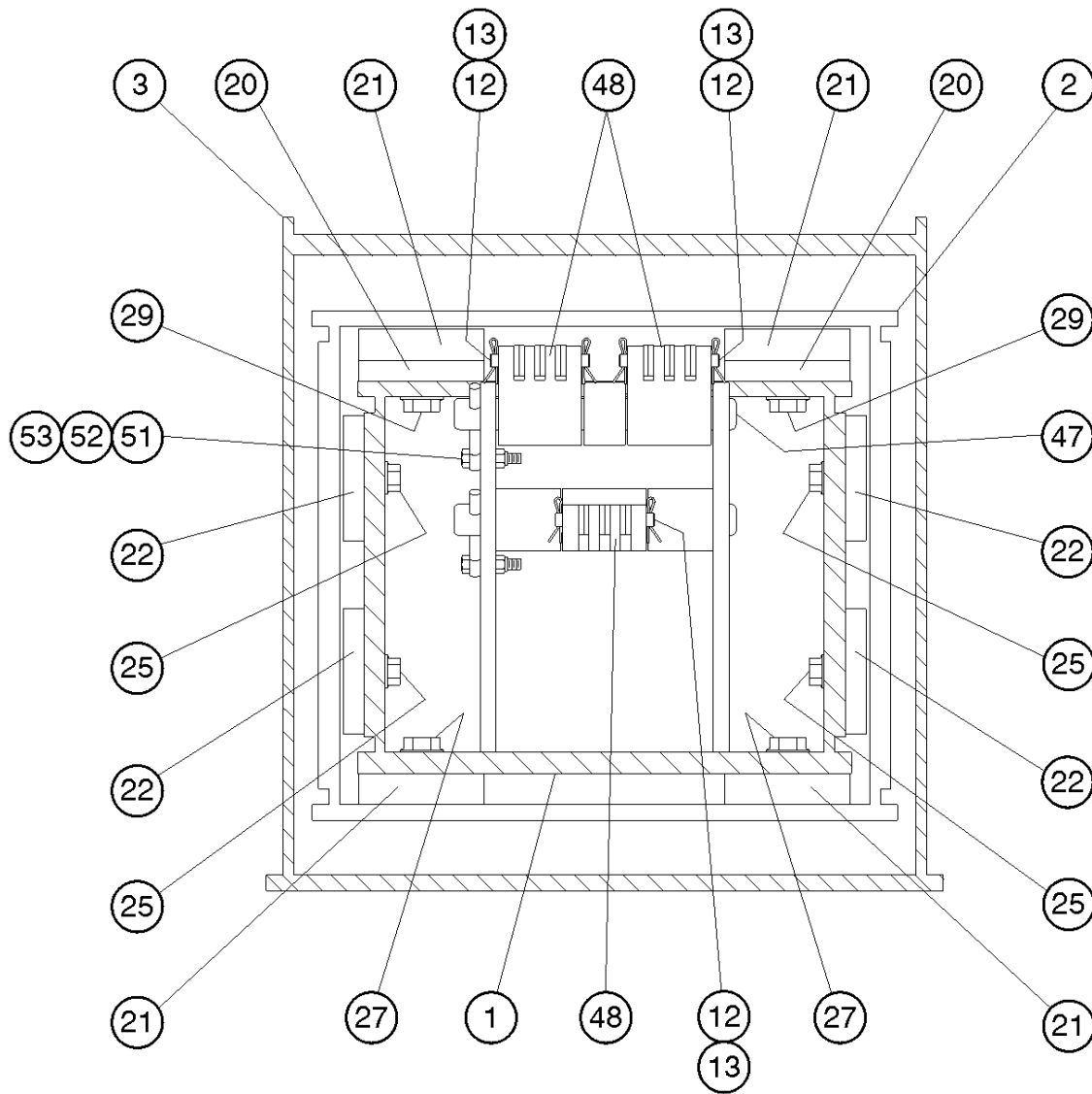
704.1 Boom Assembly, View 4



## 704.1 Boom Assembly, View 4

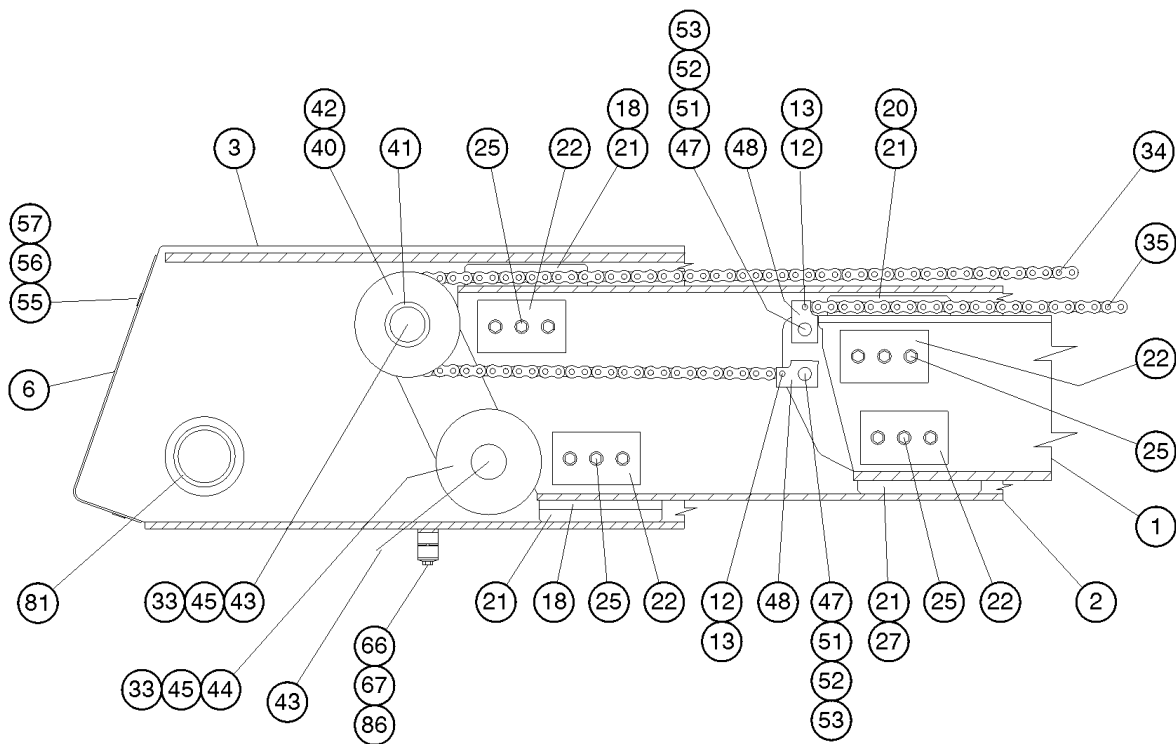
| Item | Part No.  | Description  | Qty. |
|------|-----------|--|------|
| 2    |           | Ref. ASSY,MID BOOM.....1<br>(refer to 701.1)       |      |
| 3    |           | Ref. LARGE BOOM ASSEMBLY.....1<br>(refer to 701.1) |      |
| 18   | 5-2129    | SPACER,7X3X.50.....8                               |      |
| 21   | 5-2100-6  | WEARPAD,7X3X.75.....14                             |      |
| 22   | 5-2101-4  | WEARPAD,5X3X.50.....8                              |      |
| 25   | 5-2099-7  | BOLT,FLANGE,3/8-16X.875,LT.....24                  |      |
| 28   | T106381   | FLGHC,1/2-13X15,GR5,ZN,LOC...24                    |      |
| 29   | 123162    | FLGHCS,1/2-13X1.75,GR8,BLK,PH.18                   |      |
| 33   | 4828      | NUT,NYLOCK,3/8-16.....4                            |      |
| 40   | 4-1074-8B | ROLLER ASSEMBLY.....1                              |      |
| 41   | 5-2046-3  | BEARING,2.00IDX2.56ODX1.25L....2                   |      |
| 42   | 18730     | WASHER,FLAT,2.01 X 3.5 X .06....2                  |      |
| 43   | 5-2041-2  | PIN,2.00DIAX7.50 LG,1 HOLE.....1                   |      |
| 44   | 5-2038    | SHEAVE,OPTION,HOSE.....Ref.                        |      |
| 45   | 21604     | SCREW,HHC,3/8-16 X 3.25.....1                      |      |
| 46   | 108713    | SCREW,HHC,3/4-10X7,GR5,Y.....1                     |      |
| 47   | 77051     | NUT,NYLOCK,3/4-10,GRD.8.....1                      |      |
| 48   | 123277    | TUBE,HOSE GUARD SLEEVE.....1                       |      |

705.1 Boom Assembly, View 5



| Item | Part No.  | Description   | Qty. |
|------|-----------|---|------|
| 1    |           | Ref. WELDMENT, SMALL BOOM.....1<br>(refer to 701.1) |      |
| 2    |           | Ref. ASSY, MID BOOM.....1<br>(refer to 701.1)       |      |
| 3    |           | Ref. LARGE BOOM ASSEMBLY.....1<br>(refer to 701.1)  |      |
| 12   | 130386    | PIN, CHAIN ANCHOR, 2.625X.313...6                   |      |
| 13   | 6-6243-06 | COTTERPIN, 3/32X3/4LG.....12                        |      |
| 20   | 5-2138    | SPACER, 7X3X.375.....2                              |      |
| 21   | 5-2100-6  | WEARPAD, 7X3X.75.....14                             |      |
| 22   | 5-2101-4  | WEARPAD, 5X3X.50.....8                              |      |
| 25   | 5-2099-7  | BOLT, FLANGE, 3/8-16X.875, LT.....24                |      |
| 27   | T106383   | FLGHCS, 1/2-13X1, GR5, ZN, LOC.....6                |      |
| 29   | 123162    | FLGHCS, 1/2-13X1.75, GR8, BLK, PH.18                |      |
| 47   | 5-2041-19 | PIN, .75X6.75.....2                                 |      |
| 48   | 123174    | ANCHOR, CHAIN.....3                                 |      |
| 51   | 45748     | ROD END, .250 X 2.75 LG.....2                       |      |
| 52   | 8915      | SCREW, HHC, 1/4-20 X 1.25.....6                     |      |
| 53   | 6091      | NUT, NYLOCK, 1/4-20.....6                           |      |

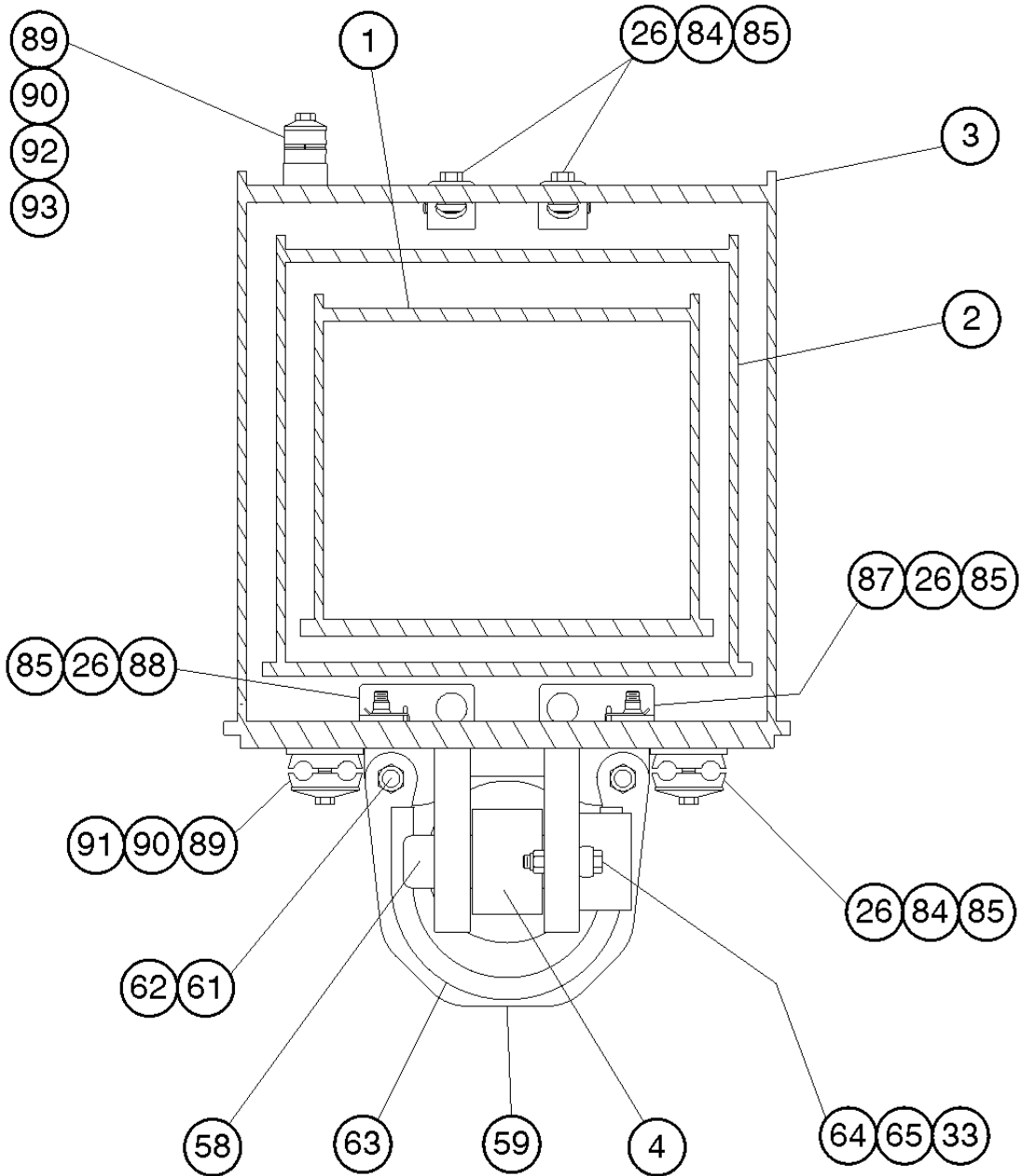
706.1 Boom Assembly, View 6



## 706.1 Boom Assembly, View 6

| Item | Part No.   | Description   | Qty. |
|------|------------|---|------|
| 1    |            | Ref. WELDMENT, SMALL BOOM.....1<br>(refer to 701.1) |      |
| 2    |            | Ref. ASSY, MID BOOM.....1<br>(refer to 701.1)       |      |
| 3    |            | Ref. LARGE BOOM ASSEMBLY.....1<br>(refer to 701.1)  |      |
| 6    | 5-2032     | COVER, REAR.....1                                   |      |
| 12   | 130386     | PIN, CHAIN ANCHOR, 2.625X.313...6                   |      |
| 13   | 6-6243-06  | COTTERPIN, 3/32X3/4LG.....12                        |      |
| 18   | 5-2129     | SPACER, 7X3X.50.....8                               |      |
| 20   | 5-2138     | SPACER, 7X3X.375.....2                              |      |
| 21   | 5-2100-6   | WEARPAD, 7X3X.75.....14                             |      |
| 22   | 5-2101-4   | WEARPAD, 5X3X.50.....8                              |      |
| 25   | 5-2099-7   | BOLT, FLANGE, 3/8-16X.875, LT.....24                |      |
| 27   | T106383    | FLGHCS, 1/2-13X1, GR5, ZN, LOC.....6                |      |
| 33   | 4828       | NUT, NYLOCK, 3/8-16.....4                           |      |
| 34   | 5-2040-243 | CHAIN, BL-666 LEAF, 243 LINKS.....1                 |      |
| 35   | 5-2040-257 | CHAIN, BL-666 LEAF, 257 LINKS.....2                 |      |
| 40   | 4-1074-8B  | ROLLER ASSEMBLY.....1                               |      |
| 41   | 5-2046-3   | BEARING, 2.00IDX2.56ODX1.25L....2                   |      |
| 42   | 18730      | WASHER, FLAT, 2.01 X 3.5 X .06....2                 |      |
| 43   | 5-2041-2   | PIN, 2.00DIA X 7.50 LG, 1 HOLE.....1                |      |
| 44   | 5-2038     | SHEAVE, OPTION, HOSE.....Ref.                       |      |
| 45   | 21604      | SCREW, HHC, 3/8-16 X 3.25.....1                     |      |
| 47   | 5-2041-19  | PIN, .75X6.75.....2                                 |      |
| 48   | 123174     | ANCHOR, CHAIN.....3                                 |      |
| 51   | 45748      | ROD END, .250 X 2.75 LG.....2                       |      |
| 52   | 8915       | SCREW, HHC, 1/4-20 X 1.25.....6                     |      |
| 53   | 6091       | NUT, NYLOCK, 1/4-20.....6                           |      |
| 55   | 6090       | SCREW, HHC, 1/4-20 X .75.....4                      |      |
| 56   | 6638       | WASHER, FLAT, USS, 1/4"Y.....8                      |      |
| 57   | 56912      | SPRING CLIP, 1/4-20, .025-.15X.5....4               |      |
| 66   | 7-273-32   | CLAMP HALVES, TWIN, 7/8" TUBE...3                   |      |
| 67   | 123177     | CLAMP CVR PLATE, TWIN, GRP<br>3.....3               |      |
| 81   | 5-2046-4   | BEARING, 3.00IDX3.50ODX2.00L....4                   |      |
| 86   | 50793      | SCREW, HHC, 5/16-18 X 2.....2                       |      |

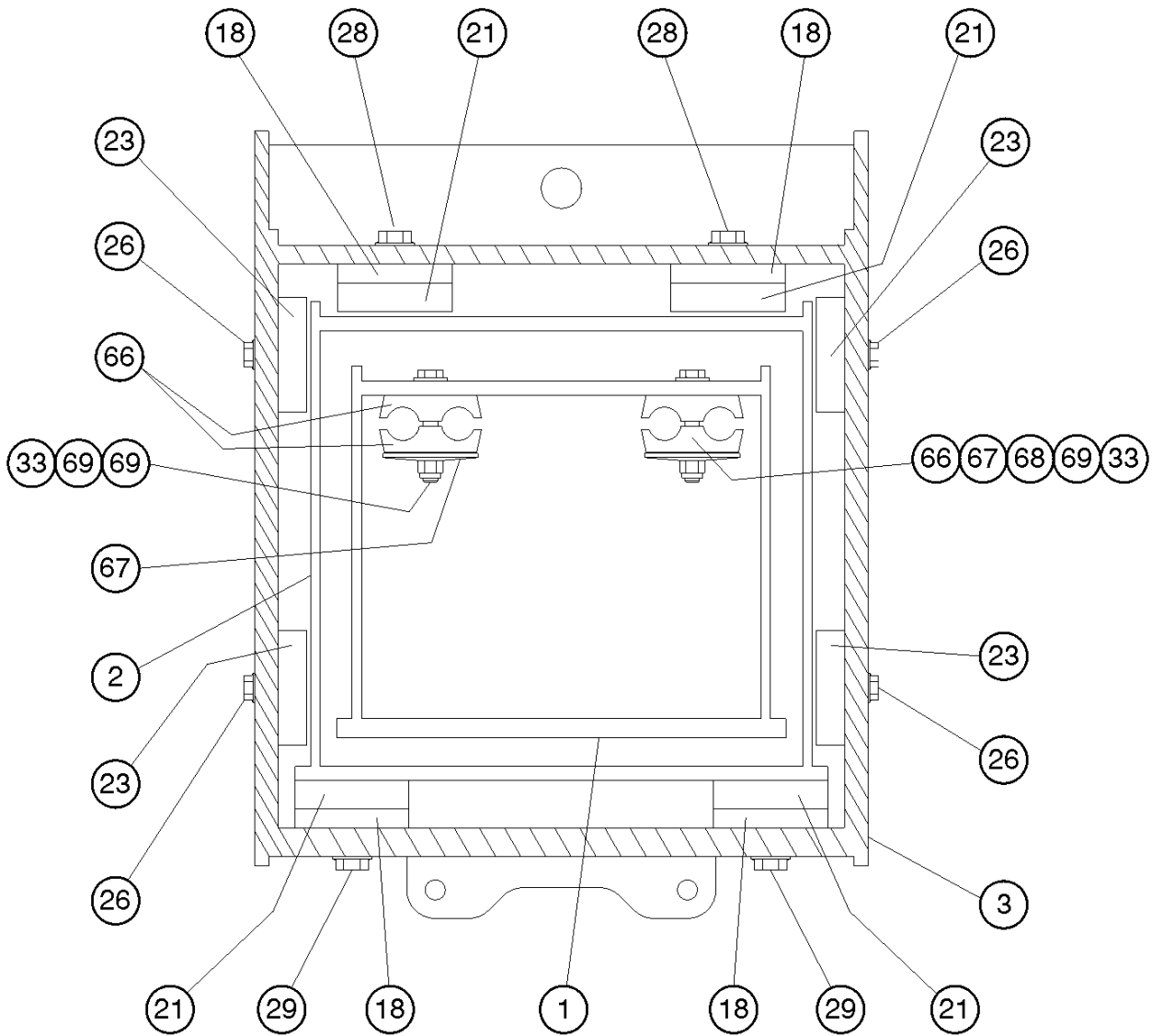
707.1 Boom Assembly, View 7





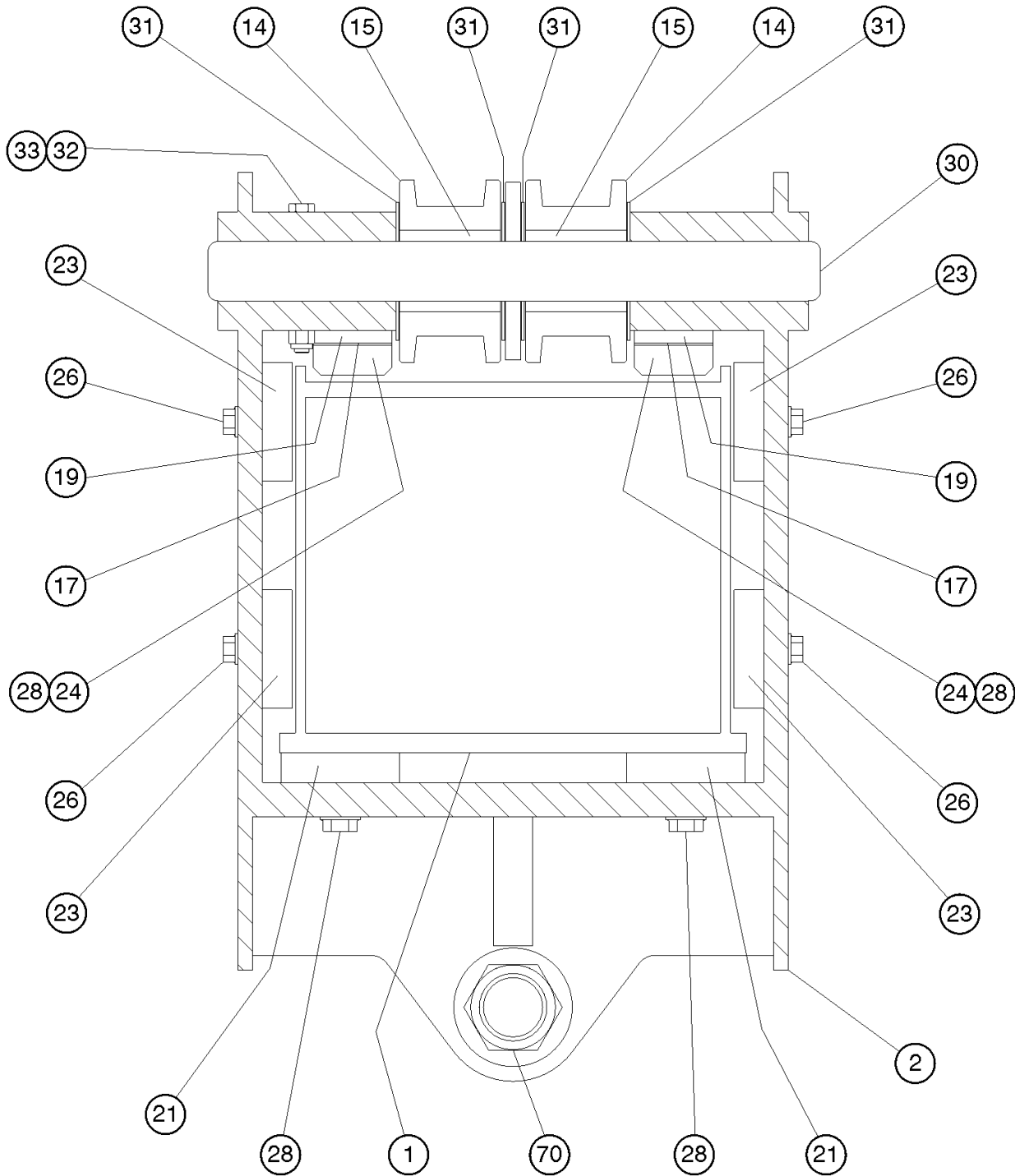
| Item | Part No. | Description  | Qty. |
|------|----------|--|------|
| 1    |          | Ref. WELDMENT, SMALL BOOM.....1<br>(refer to 701.1)              |      |
| 2    |          | Ref. ASSY, MID BOOM.....1<br>(refer to 701.1)                    |      |
| 3    |          | Ref. LARGE BOOM ASSY.....1<br>(refer to 701.1)                   |      |
| 4    |          | Ref. CYLINDER, BOOM<br>EXT, GTH844,644.....1<br>(refer to 904.1) |      |
| 26   | T106382  | FLGHCS, 3/8-16X1.25.GR5,ZN,LOC.26                                |      |
| 33   | 4828     | NUT, NYLOCK, 3/8-16.....4  |      |
| 58   | 5-2041-1 | PIN, 1.50DIAX5.75LG, 1 HOLE.....1                                |      |
| 59   | 5-2039   | EXT.CYL.RETAINER.....1   |      |
| 61   | 22788    | SCREW, HHC, 1/2-13 X 1.75.....2                                  |      |
| 62   | 6198     | NUT, NYLOCK, 1/2-13.....5  |      |
| 63   | 7-277-01 | TRIM, BLACK, 1/2".....12   |      |
| 64   | 45226    | ROD END, .375 X 3.69.....1                                       |      |
| 65   | 5224     | SCREW, HHC, 3/8-16 X 2.....1                                     |      |
| 84   | 5-2095   | FORMING, BULKHEAD BRKT.....2                                     |      |
| 85   | 29868    | SPRING CLIP, 3/8-16.....2  |      |
| 87   | 5-2096   | FORMING, HARDLINE BRKT.....Ref.                                  |      |
| 88   | 5-2136   | FORMING, HARDLINE BRKT.....Ref.                                  |      |
| 89   | 123192   | CLAMP HALVES, TWIN, 5/8" TUBE...6                                |      |
| 90   | 123176   | PLATE, TOP.....6   |      |
| 91   | 13000    | SCREW, HHC, 5/16-18 X 1.25.....5                                 |      |
| 92   | 14723    | SCREW, HHC, 5/16-18 X 1.75.....1                                 |      |
| 93   | 36456    | SPRING CLIP, 5/16-18.....1                                       |      |

708.1 Boom Assembly, View 8



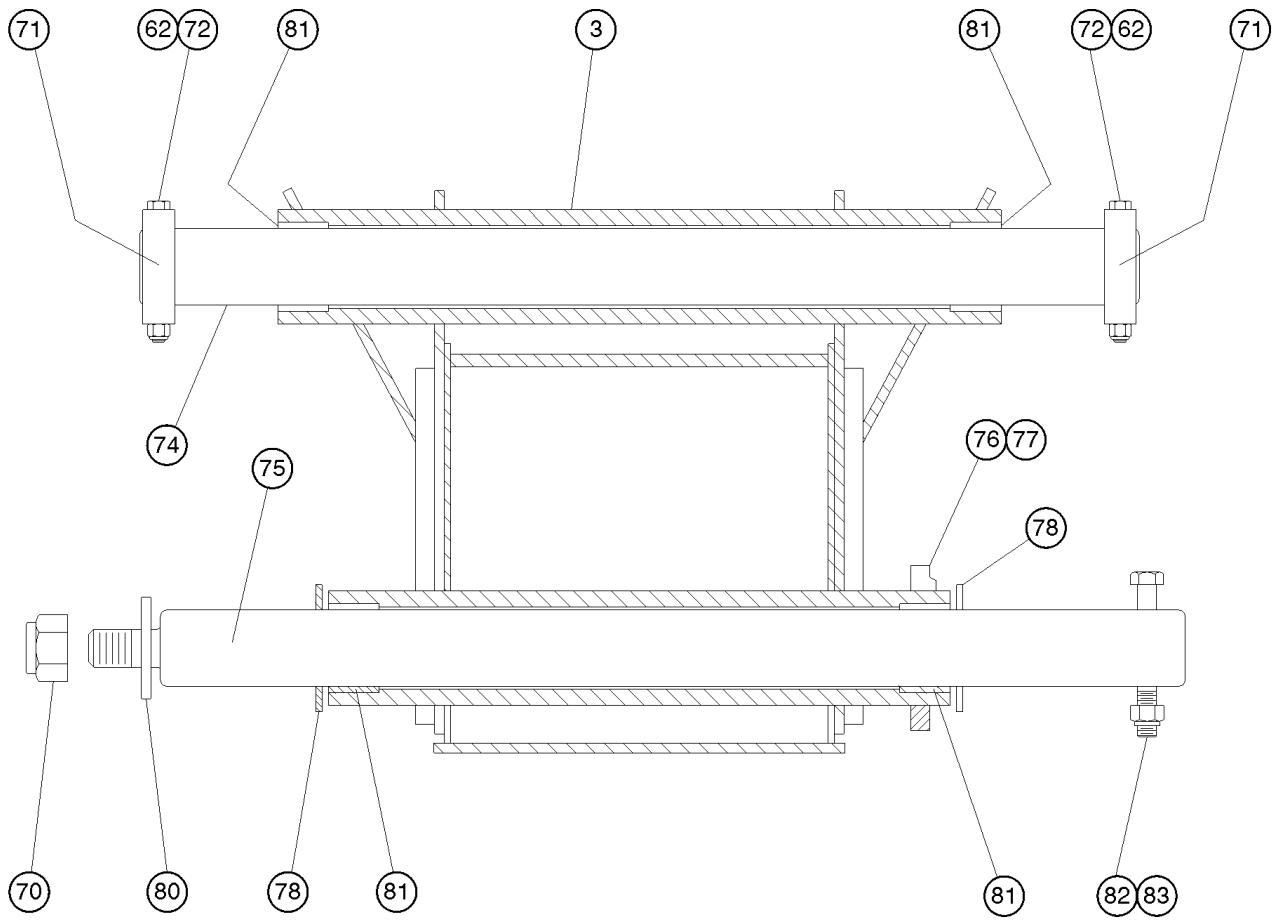
| Item | Part No. | Description   | Qty. |
|------|----------|---|------|
| 1    |          | Ref. WELDMENT, SMALL BOOM.....1<br>(refer to 701.1) |      |
| 2    |          | Ref. ASSY, MID BOOM.....1<br>(refer to 701.1)       |      |
| 3    |          | Ref. LARGE BOOM ASSEMBLY.....1<br>(refer to 701.1)  |      |
| 18   | 5-2129   | SPACER, 7X3X.50.....8                               |      |
| 21   | 5-2100-6 | WEARPAD, 7X3X.75.....14                             |      |
| 23   | 5-2132-6 | WEARPAD, 7X3X.75.....8                              |      |
| 26   | T106382  | FLGHCS, 3/8-16X1.25, GR5, ZN, LOC.26                |      |
| 28   | T106381  | FLGHC, 1/2-13X15, GR5, ZN, LOC...24                 |      |
| 29   | 123162   | FLGHCS, 1/2-13X1.75, GR8, BLK, PH.18                |      |
| 33   | 4828     | NUT, NYLOCK, 3/8-16.....4                           |      |
| 66   | 7-273-32 | CLAMP HALVES, TWIN, 7/8" TUBE...3                   |      |
| 67   | 123177   | CLAMP CVR PLATE, TWIN, GRP<br>3.....3               |      |
| 68   | 14033    | SCREW, HHC, 3/8-16 X 2.75.....1                     |      |
| 69   | 6097     | WASHER, FLAT, USS, 3/8", Y.....1                    |      |

709.1 Boom Assembly, View 9



| Item | Part No.  | Description  | Qty. |
|------|-----------|--|------|
| 1    |           | Ref. WELDMENT, SMALL BOOM.....1<br>(refer to 701.1)        |      |
| 2    |           | Ref. ASSY, MID BOOM.....1<br>(refer to 701.1)              |      |
| 14   | 130535    | CHAIN SHEAVE ASSY, POLYGON<br>(includes 123187 and 141309) |      |
| --   | 123187    | SHEAVE, CHAIN.....2  |      |
| 15   | 141309    | BEARING, 1.5 X 2.0 X 2.5.....2                             |      |
| 17   | 5-2134    | SHIM, 2X7X.06.....2  |      |
| 19   | 5-2135    | SPACER, 7X2X.375.....2                                     |      |
| 21   | 5-2100-6  | WEARPAD, 7X3X.75.....14                                    |      |
| 23   | 5-2132-6  | WEARPAD, 7X3X.75.....8                                     |      |
| 24   | 5-2133-6  | WEARPAD, 7X2X.75.....2                                     |      |
| 26   | T106382   | FLGHCS, 3/8-16X1.25, GR5, ZN, LOC.26                       |      |
| 28   | T106381   | FLGHC, 1/2-13X15, GR5, ZN, LOC...24                        |      |
| 29   | 123162    | FLGHCS, 1/2-13X1.75, GR8, BLK, PH.18                       |      |
| 30   | 5-2041-18 | PIN, 1.5DIAX15.5LG, 1 CROSS<br>HOLE.....1                  |      |
| 31   | 36603     | WASHER, FLAT, 1.56 X 3.5 X .061....4                       |      |
| 32   | 6605      | SCREW, HHC, 3/8-16 X 3.5, GR5.....1                        |      |
| 33   | 4828      | NUT, NYLOCK, 3/8-16.....4                                  |      |
| 70   | 6-6206-24 | NUT, NYLOCK, 1 1/2.....2                                   |      |

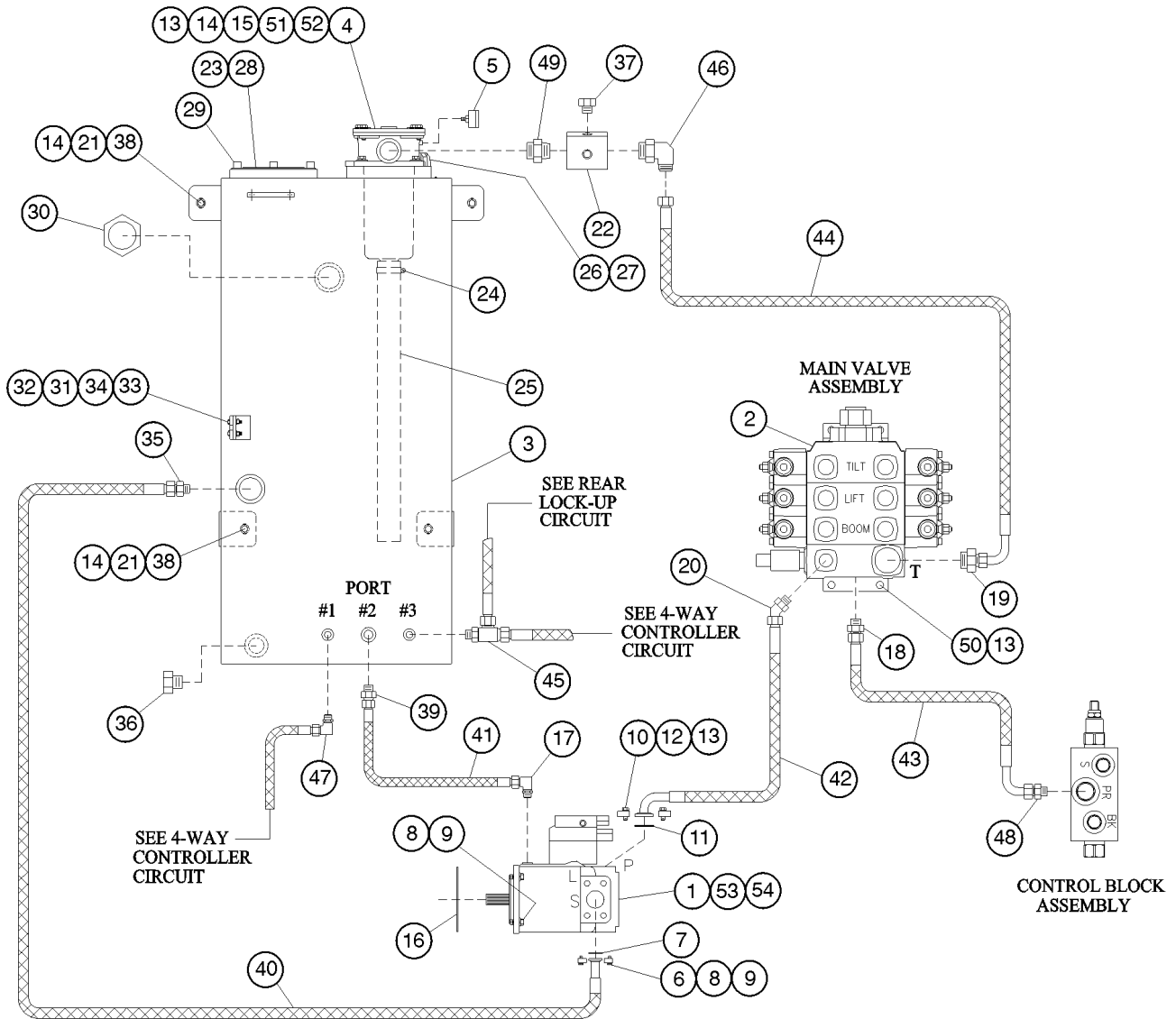
710.1 Boom Assembly, View 10



## 710.1 Boom Assembly, View 10

| Item | Part No.  | Description  | Qty. |
|------|-----------|--|------|
| 3    |           | Ref. LARGE BOOM ASSEMBLY.....1<br>(refer to 701.1) |      |
| 62   | 6198      | NUT,NYLOCK,1/2-13.....5                            |      |
| 70   | 6-6206-24 | NUT,NYLOCK, 1 1/2.....2                            |      |
| 71   | 6-2524-10 | COLLAR.....2                                       |      |
| 72   | 22786     | SCREW,HHC,1/2-13 X 5.5.....2                       |      |
| 74   | 5-2042-1  | PIN,TWO CROSS DRILLED<br>HOLE.....1                |      |
| 75   | 5-2044    | PIN,THREADED END.....1                             |      |
| 76   | 108667    | WELDMENT,SWITCH ACTIVATOR<br>**** .....1           |      |
| --   | 7-101-04  | SWITCH,SNAP ACTION                                 |      |
| 77   | 6-6275-04 | SCREW,SET,3/8-16X.75.....3                         |      |
| 78   | 6-6600-14 | THRUST WASHER,<br>5.00X3.00X.250.....2             |      |
| 80   | 1-1306    | STEEL WASHER.....1                                 |      |
| 81   | 5-2046-4  | BEARING,3.00IDX3.50ODX2.00L....4                   |      |
| 82   | 38509     | SCREW,HHC,3/4-10 X 6.....1                         |      |
| 83   | 10258     | NUT,NYLOCK,3/4-10.....1                            |      |

801.1 Circuit, Pump, Oil Reservoir



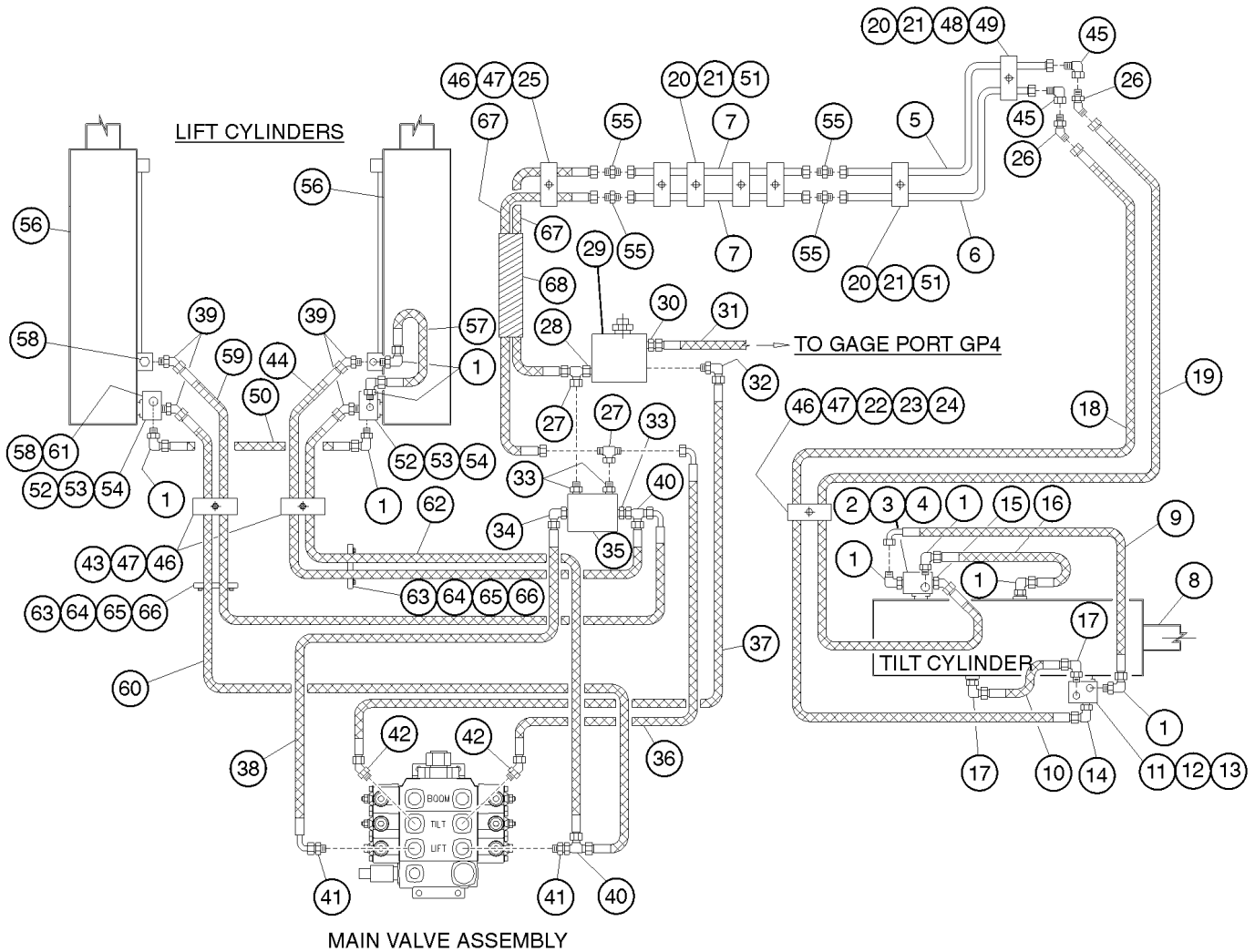


801.1 Circuit,Pump, Oil Reservoir

| Item | Part No.  | Description   | Qty. | Item | Part No.   | Description  | Qty. |
|------|-----------|---|------|------|------------|--|------|
| 1A   |           | Ref. PUMP ASSEMBLY,55CC<br>REXROTH<br><i>(was 7-345-113, refer to 1B)<br/>(7-345-113 replaced 7-112-05)</i>   |      | 21   | 77692      | SCREW,HHC,3/8-16 X 1 GRD 8.....4   |      |
| --   | 7-112-63  | SEAL KIT / PUMP OVERHAUL<br><i>(seal kit for 7-112-05)</i>  |      | 22   | 3-1376     | MANIFOLD.....1   |      |
| --   | 7-126-517 | GASKET,PUMP,DRIVE<br><i>(for 7-345-113)</i>   |      | 23   | 231164     | GASKET, INSPECTION COVER   |      |
| --   | 7-345-172 | GASKET,COMPENSATOR<br><i>(for 7-345-113)</i>  |      | 24   | 7-272-13   | CLAMP,T-HOSE,2 1/8 IN NOM.....1  |      |
| --   | 7-345-173 | SEAL KIT / PUMP OVERHAUL<br><i>(for 7-345-113)</i>  |      | 25   | 61100-2400 | HOSE ASSY.....1  |      |
| --   | 7-345-48  | SEAL KIT<br><i>(for 7-345-113)</i>  |      | 26   | 123148     | BREATHER,FILLER,3 PSI.....1<br><i>includes cap, casting under cap and gasket</i> |      |
| 1B   | 229053    | PUMP ASSEMBLY,SAUER 8K<br><i>(may be used as a direct replacement<br/>for 7-345-113)</i>  |      | 27   | 49816      | SCREW,PHILLIPS,PHM,10-32 X<br>.75.....6  |      |
| --   | 7-112-63  | SEAL KIT / PUMP OVERHAUL  |      | 28   | 231163     | PLATE, INSPECTION COVER<br><i>(replaced 7-145-01)</i>                            |      |
| 2    |           | Ref. VALVE, DIRECTIONAL<br><i>(refer to 716.1)</i>  |      | 29   | 6-5606-04  | SOCKET HEAD CAPSCREW   |      |
| 3    | 123131    | WELDMENT,OIL RES,644/8XX.....1<br><i>(can replace 108839 but must include<br/>hose PN 123326, spring clips and<br/>hardware) (from SN GTH0808A-11892<br/>and from GTH0608A-11999)</i> |      | 30   | 7-161-01   | SIGHT GAUGE.....1  |      |
| 4    | 117044    | RETURN FILTER ASSEMBLY  |      | 31   | 231152     | PLATE, PROT CHECK, 4 HOLE<br><i>(replaced 2-1266-2)</i>                          |      |
| 5    | 117567    | GAUGE,RETURN FILTER   |      | 32   | 6-5204-06  | SCREW,HHC,1/4-20X.75,GR8.....2   |      |
| 6    | 123153    | SPLIT FLANGE KIT, 2 IN.....1  |      | 33   | 6-6201-04  | NUT,HEX,1/4-20.....2   |      |
| 7    | 7-209-66  | O-RING<br><i>includes item 6</i>  |      | 34   | 6356       | WASHER,LOCK,.25.....2  |      |
| 8    | 54177     | SCREW,HHC,1/2-13 X 1.5 GRD 8  |      | 35   | 7-364-22   | FITTING/24 OR X 24 JIC O STR....1  |      |
| 9    | 6033      | WASHER,LOCK,0.5"  |      | 36   | 6-6457-10  | FITTING,16 OR HEX HEAD<br>PLUG.....1   |      |
| 10   | 123565    | O-RING FLANGE.....2   |      | 37   | 6-6457-06  | FITTING.....1  |      |
| 11   | 123576    | O-RING.....1  |      | 38   | 29868      | SPRING CLIP,3/8-16.....4   |      |
| 12   | 123559    | SCREW,HHC,3/8-16X1.25GR8.....4  |      | 39   | 6-6450-12  | FITTING,08 OR X 08 JIC STR.....1   |      |
| 13   | 6021      | WASHER,LOCK,.375.....12   |      | 40   | 7-191-02   | HOSE,24X32-STSTFX11".....1   |      |
| 14   | 19934     | WASHER,3/8<br>HARD.STEEL-FLAT,USS.....8   |      | 41   | 6-7004-256 | HOSE,08X08X128LG.....1   |      |
| 15   | 77692     | SCREW,HHC,3/8-16 X 1 GRD 8.....4  |      | 42   | 6-7156-234 | HOSE,12X16-90X117LG.....1  |      |
| 16   | 7-126-517 | GASKET,PUMP,DRIVE   |      | 43   | 6-7025-36  | HOSE,10X10-90X18".....1  |      |
| 17   | 6-6453-10 | FITTING,10 OR X 08 JIC 90.....1   |      | 44   | 6-7088-43  | HOSE,10X10-90X21.50".....1   |      |
| 18   | 6-6450-17 | FITTING,12 OR X 10 JIC STR.....1  |      | 45   | 6-6455-05  | FITTING,06 OR X 06 JIC RN-TEE  |      |
| 19   | 6-6450-27 | FITTING,16 OR X 16 JIC STR.....1  |      | 46   | 6-6453-25  | FITTING,20 OR X 16 JIC 90.....1  |      |
| 20   | 6-6452-08 | FITTING,12 OR X 12 JIC 45.....1   |      | 47   | 6-6453-04  | FITTING,06 OR X 04 JIC 90  |      |
|      |           |   |      | 48   | 6-6450-15  | FITTING,08 OR X 10 JIC STR.....1   |      |
|      |           |   |      | 49   | 6-6436-01  | FITTING,20 OR X 20 NPT, STR.....1  |      |
|      |           |   |      | 50   | 94195      | SCREW,HHC,3/8-16 X .75,GR 8.....4  |      |
|      |           |   |      | 51   | 7-118-03   | O-RING   |      |
|      |           |   |      | 52   | 117043     | ELEMENT,RETURN FILTER***   |      |
|      |           |   |      | 53   | 108476     | HARNESS,COLD<br>START,SAUER,TH.....1   |      |
|      |           |   |      | 54   | 7-269-43   | SHRINK TUBING,1/4 ID.....4   |      |



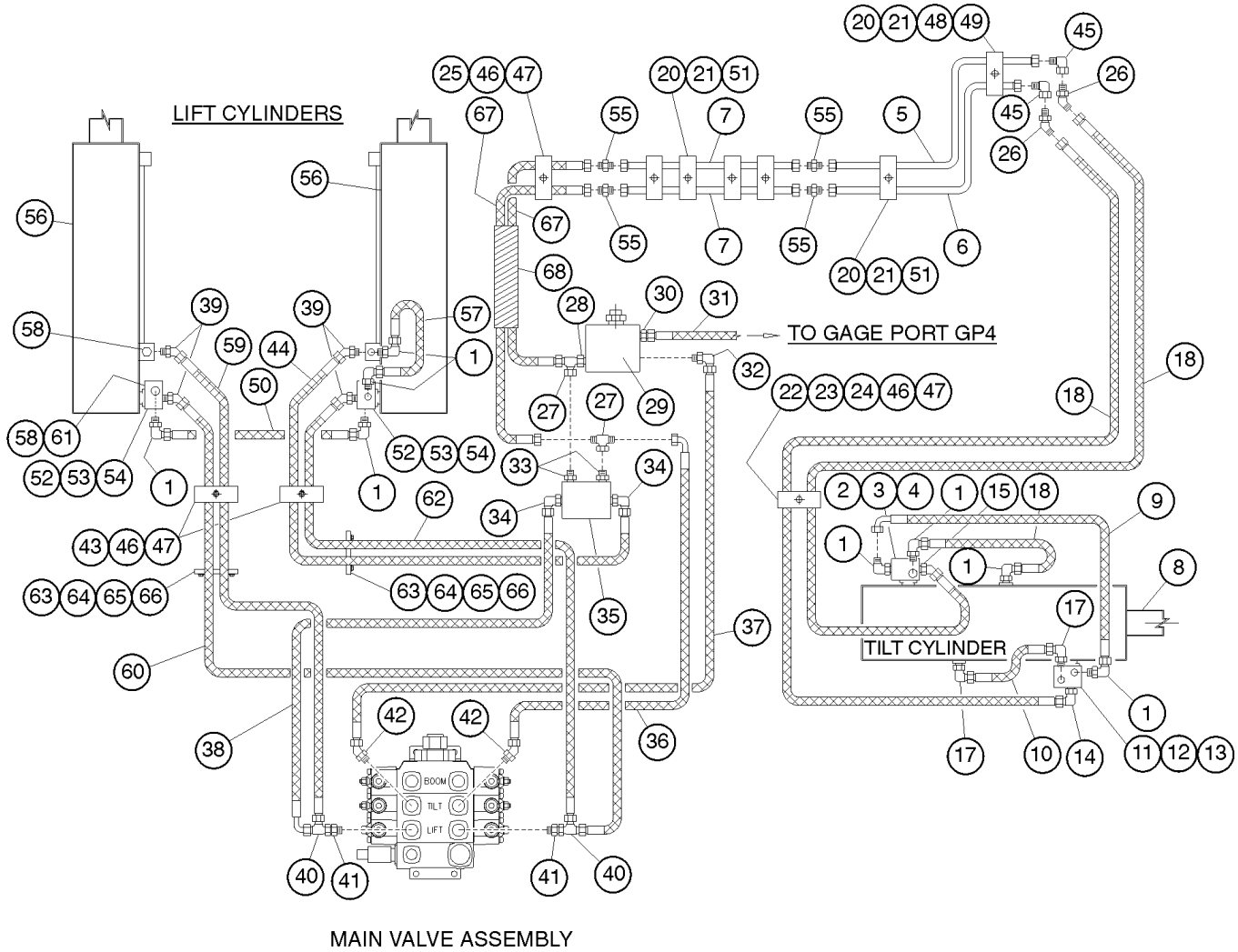
802.1 Circuit, Lift-Tilt, GTH-844



## 802.1 Circuit, Lift-Tilt, GTH-844

| Item | Part No.   | Description                            | Qty. | Item | Part No.   | Description                                  | Qty. |
|------|------------|--|------|------|------------|--|------|
| 1    | 6-6453-04  | FITTING,06 OR X 04 JIC 90.....         | 8    | 40   | 6-6481-07  | FITTING,10 JIC, SW-RUN-TEE.....              | 2    |
| 2    | 7-234-02   | VALVE,MOTION                           |      | 41   | 6-6450-17  | FITTING,12 OR X 10 JIC STR.....              | 2    |
| 3    | 6-5606-14  | SCREW,SHC,3/8-16 X 1.75.....           | 4    | 42   | 6-6452-17  | FITTING,12 OR X 10 JIC 45.....               | 2    |
| 4    | 6-6214-06  | WASHER,LOCK,HI COLLAR,.375...4         |      | 43   | 6-5205-16  | SCREW,HHC,5/16-18 X<br>2.00,GR8.....         | 2    |
| 5    | 108561     | TUBE ASSY,STD,INNER,TH.....            | 1    | 44   | 6-7005-188 | HOSE,10X10X94LG.....                         | 1    |
| 6    | 108562     | TUBE ASSY,STD,OUTER,TH.....            | 1    | 45   | 5-2140     | SWIVEL NUT<br>ELBOW,-10,90DEG.....           | 2    |
| 7    | 108558     | TUBE ASSY,STRAIGHT,TH.....             | 2    | 46   | 123177     | CLAMP CVR PLATE,TWIN,GRP<br>3.....           | 4    |
| 8    |            | Ref. CYLINDER,TILT<br>(refer to 903.1) |      | 47   | 7-273-32   | CLAMP HALVES,TWIN,7/8" TUBE...4              |      |
| 9    | 6-7022-60  | HOSE,04X04-90X30LG.....                | 1    | 48   | 14723      | SCREW,HHC,5/16-18 X 1.75.....                | 1    |
| 10   | 6-7003-40  | HOSE,06X06X20LG.....                   | 1    | 49   | 36456      | SPRING CLIP, 5/16-18.....                    | 1    |
| 11   | 7-234-01   | VALVE,MOTION                           |      | 50   | 6-7002-100 | HOSE,04X04X50LG.....                         | 1    |
| 12   | 6-5606-22  | SCREW,SHC,3/8-16 X 2.75.....           | 4    | 51   | 13000      | SCREW,HHC,5/16-18 X 1.25.....                | 15   |
| 13   | 6-6214-06  | WASHER,LOCK,HI COLLAR,.375...4         |      | 52   | 7-234-54   | VALVE, MOTION                                |      |
| 14   | 6-6453-09  | FITTING,08 OR X 08 JIC 90.....         | 1    | 53   | 6-5606-22  | SCREW,SHC,3/8-16 X 2.75.....                 | 8    |
| 15   | 6-6452-04  | FITTING,08 OR X 08 JIC 45.....         | 1    | 54   | 6-6214-06  | WASHER,LOCK,HI COLLAR,.375...8               |      |
| 16   | 6-7002-26  | HOSE,4X4X13".....                      | 1    | 55   | 5-2139     | UNION,-10.....                               | 4    |
| 17   | 123670     | FITTING,06 OR X 06 JIC 90.....         | 2    | 56   |            | Ref. CYLINDER,LIFT TH844<br>(refer to 901.1) |      |
| 18   | 6-7014-768 | HOSE,10X8X384LG.....                   | 2    | 57   | 6-7002-17  | HOSE,04X04X8 1/2LG.....                      | 1    |
| 19   | 6-7014-768 | HOSE,10X8X384LG                        |      | 58   | 6-6457-05  | FITTING,06 OR,HEX HEAD<br>PLUG.....          | 3    |
| 20   | 123192     | CLAMP HALVES,TWIN,5/8" TUBE...6        |      | 59   | 6-7005-200 | HOSE,10X10X100LG.....                        | 1    |
| 21   | 123176     | PLATE, TOP.....                        | 6    | 60   | 6-7005-180 | HOSE,10X10X90LG.....                         | 1    |
| 22   | 14033      | SCREW,HHC,3/8-16 X 2.75.....           | 1    | 61   | 6-6457-03  | FITTING,04 OR OR HEX HEAD PLUG               |      |
| 23   | 4828       | NUT,NYLOCK,3/8-16.....                 | 1    | 62   | 6-7005-172 | HOSE,10X10X86LG.....                         | 1    |
| 24   | 6097       | WASHER,FLAT,USS,3/8",Y.....            | 1    | 63   | 108576     | FORMING,HOSE GUIDE.....                      | 2    |
| 25   | 50793      | SCREW,HHC,5/16-18 X 2.....             | 1    | 64   | 6-5204-06  | SCREW,HHC,1/4-20X.75,GR8.....                | 4    |
| 26   | 6-6476-07  | #10,45DEG BULKHEAD.....                | 2    | 65   | 6-6212-04  | WASHER,FLAT,.250,<br>HARDENED.....           | 4    |
| 27   | 6-6480-07  | FITTING,10 JIC,SW-BR-TEE.....          | 2    | 66   | 56912      | SPRING CLIP,1/4-20,.025-.15X.5....4          |      |
| 28   | 6-6485-03  | FITTING,10 OR X 10 JIC, SWIV....1      |      | 67   | 6-7005-120 | HOSE,10X10X60LG.....                         | 2    |
| 29   | 7-234-50   | VALVE                                  |      | 68   | 123838     | COIL,PROTECTIVE,PLASTIC.....                 | 12   |
| 30   | 6-6450-05  | CONNECTOR,070120-4-6                   |      |      |            |  |      |
| 31   | 6-7022-30  | HOSE,4X4-90X15"                        |      |      |            |  |      |
| 32   | 6-6453-12  | FITTING,10 OR X 10 JIC 90.....         | 1    |      |            |  |      |
| 33   | 6-6450-15  | FITTING,08 OR X 10 JIC STR.....        | 3    |      |            |  |      |
| 34   | 6-6453-11  | FITTING,08 OR X 10 JIC 90.....         | 1    |      |            |  |      |
| 35   | 7-234-04   | VALVE,DUAL CHECK                       |      |      |            |  |      |
| 36   | 6-7025-36  | HOSE,10X10-90X18".....                 | 1    |      |            |  |      |
| 37   | 6-7005-32  | HOSE,10X10X16".....                    | 1    |      |            |  |      |
| 38   | 6-7025-36  | HOSE,10X10-90X18".....                 | 1    |      |            |  |      |
| 39   | 6-6452-06  | FITTING,10 OR X 10 JIC 45.....         | 4    |      |            |  |      |

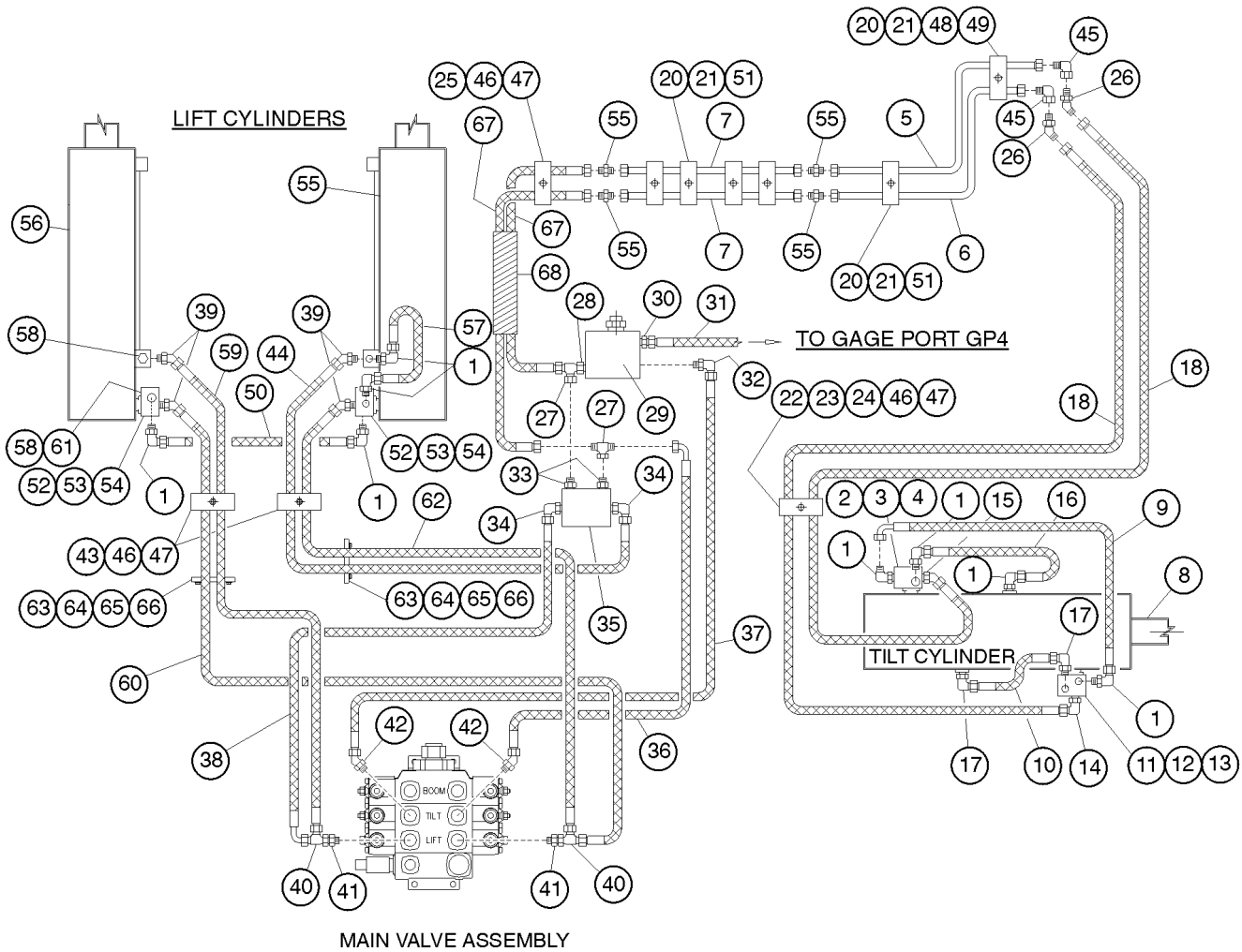
803.1 Circuit, Lift-Tilt, GTH-842



## 803.1 Circuit, Lift-Tilt, GTH-842

| Item | Part No.   | Description                             | Qty. | Item | Part No.   | Description                                  | Qty. |
|------|------------|---|------|------|------------|--|------|
| 1    | 6-6453-04  | FITTING,06 OR X 04 JIC 90.....          | 8    | 41   | 6-6450-17  | FITTING,12 OR X 10 JIC STR.....              | 2    |
| 2    | 7-234-02   | VALVE,MOTION                            |      | 42   | 6-6452-17  | FITTING,12 OR X 10 JIC 45.....               | 2    |
| 3    | 6-5606-14  | SCREW,SHC,3/8-16 X 1.75.....            | 4    | 43   | 6-5205-16  | SCREW,HHC,5/16-18 X<br>2.00,GR8.....         | 2    |
| 4    | 6-6214-06  | WASHER,LOCK,HI COLLAR,.375...4          |      | 44   | 6-7005-188 | HOSE,10X10X94LG.....                         | 1    |
| 5    | 108561     | TUBE ASSY,STD,INNER,TH.....             | 1    | 45   | 5-2140     | SWIVEL NUT<br>ELBOW,-10,90DEG,.....          | 2    |
| 6    | 108562     | TUBE ASSY,STD,OUTER,TH.....             | 1    | 46   | 123177     | CLAMP CVR PLATE,TWIN,GRP<br>3.....           | 4    |
| 7    | 108558     | TUBE ASSY,STRAIGHT,TH.....              | 2    | 47   | 7-273-32   | CLAMP HALVES,TWIN,7/8" TUBE...4              |      |
| 8    |            | Ref. CYLINDER, TILT<br>(refer to 903.1) |      | 48   | 14723      | SCREW,HHC,5/16-18 X 1.75.....                | 1    |
| 9    | 6-7022-60  | HOSE,04X04-90X30LG.....                 | 1    | 49   | 36456      | SPRING CLIP, 5/16-18.....                    | 1    |
| 10   | 6-7003-40  | HOSE,06X06X20LG.....                    | 1    | 50   | 6-7002-100 | HOSE,04X04X50LG.....                         | 1    |
| 11   | 7-234-01   | VALVE,MOTION                            |      | 51   | 13000      | SCREW,HHC,5/16-18 X 1.25.....                | 5    |
| 12   | 6-5606-22  | SCREW,SHC,3/8-16 X 2.75.....            | 4    | 52   | 7-234-54   | VALVE, MOTION                                |      |
| 13   | 6-6214-06  | WASHER,LOCK,HI COLLAR,.375...4          |      | 53   | 6-5606-22  | SCREW,SHC,3/8-16 X 2.75.....                 | 8    |
| 14   | 6-6453-09  | FITTING,08 OR X 08 JIC 90.....          | 1    | 54   | 6-6214-06  | WASHER,LOCK,HI COLLAR,.375...8               |      |
| 15   | 6-6452-04  | FITTING,08 OR X 08 JIC 45.....          | 1    | 55   | 5-2139     | UNION,-10.....                               | 4    |
| 16   | 6-7002-26  | HOSE,4X4X13".....                       | 1    | 56   |            | Ref. CYLINDER,LIFT TH842<br>(refer to 902.1) |      |
| 17   | 123670     | FITTING,06 OR X 06 JIC 90.....          | 2    | 57   | 6-7002-17  | HOSE,04X04X8 1/2LG.....                      | 1    |
| 18   | 6-7014-768 | HOSE,10X8X384LG.....                    | 2    | 58   | 6-6457-05  | FITTING,06 OR,HEX HEAD<br>PLUG.....          | 3    |
| 20   | 123192     | CLAMP HALVES,TWIN,5/8" TUBE...6         |      | 59   | 6-7005-200 | HOSE,10X10X100LG.....                        | 1    |
| 21   | 123176     | PLATE, TOP.....                         | 6    | 60   | 6-7005-180 | HOSE,10X10X90LG.....                         | 1    |
| 22   | 14033      | SCREW,HHC,3/8-16 X 2.75.....            | 1    | 61   | 6-6457-03  | FITTING,04 OR OR HEX HEAD PLUG               |      |
| 23   | 4828       | NUT,NYLOCK,3/8-16.....                  | 1    | 62   | 6-7005-172 | HOSE,10X10X86LG.....                         | 1    |
| 24   | 6097       | WASHER,FLAT,USS,3/8",Y.....             | 1    | 63   | 108576     | FORMING,HOSE GUIDE.....                      | 2    |
| 25   | 50793      | SCREW,HHC,5/16-18 X 2.....              | 1    | 64   | 6-5204-06  | SCREW,HHC,1/4-20X.75,GR8.....                | 4    |
| 26   | 6-6476-07  | #10,45DEG BULKHEAD.....                 | 2    | 65   | 6-6212-04  | WASHER,FLAT,.250,<br>HARDENED.....           | 4    |
| 27   | 6-6480-07  | FITTING,10 JIC,SW-BR-TEE.....           | 2    | 66   | 56912      | SPRING CLIP,1/4-20,.025-.15X.5....4          |      |
| 28   | 6-6485-03  | FITTING,10 OR X 10 JIC, SWIV.....1      |      | 67   | 6-7005-120 | HOSE,10X10X60LG.....                         | 2    |
| 29   | 7-234-50   | VALVE                                   |      | 68   | 123838     | COIL,PROTECTIVE,PLASTIC.....                 | 12   |
| 30   | 6-6450-05  | CONNECTOR,070120-4-6                    |      |      |            |  |      |
| 31   | 6-7022-30  | HOSE,4X4-90X15"                         |      |      |            |  |      |
| 32   | 6-6453-12  | FITTING,10 OR X 10 JIC 90.....          | 1    |      |            |  |      |
| 33   | 6-6450-15  | FITTING,08 OR X 10 JIC STR.....         | 2    |      |            |  |      |
| 34   | 6-6453-11  | FITTING,08 OR X 10 JIC 90.....          | 2    |      |            |  |      |
| 35   | 7-234-04   | VALVE,DUAL CHECK                        |      |      |            |  |      |
| 36   | 6-7025-36  | HOSE,10X10-90X18".....                  | 1    |      |            |  |      |
| 37   | 6-7005-32  | HOSE,10X10X16".....                     | 1    |      |            |  |      |
| 38   | 6-7025-36  | HOSE,10X10-90X18".....                  | 1    |      |            |  |      |
| 39   | 6-6452-06  | FITTING,10 OR X 10 JIC 45.....          | 4    |      |            |  |      |
| 40   | 6-6481-07  | FITTING,10 JIC, SW-RUN-TEE.....         | 2    |      |            |  |      |

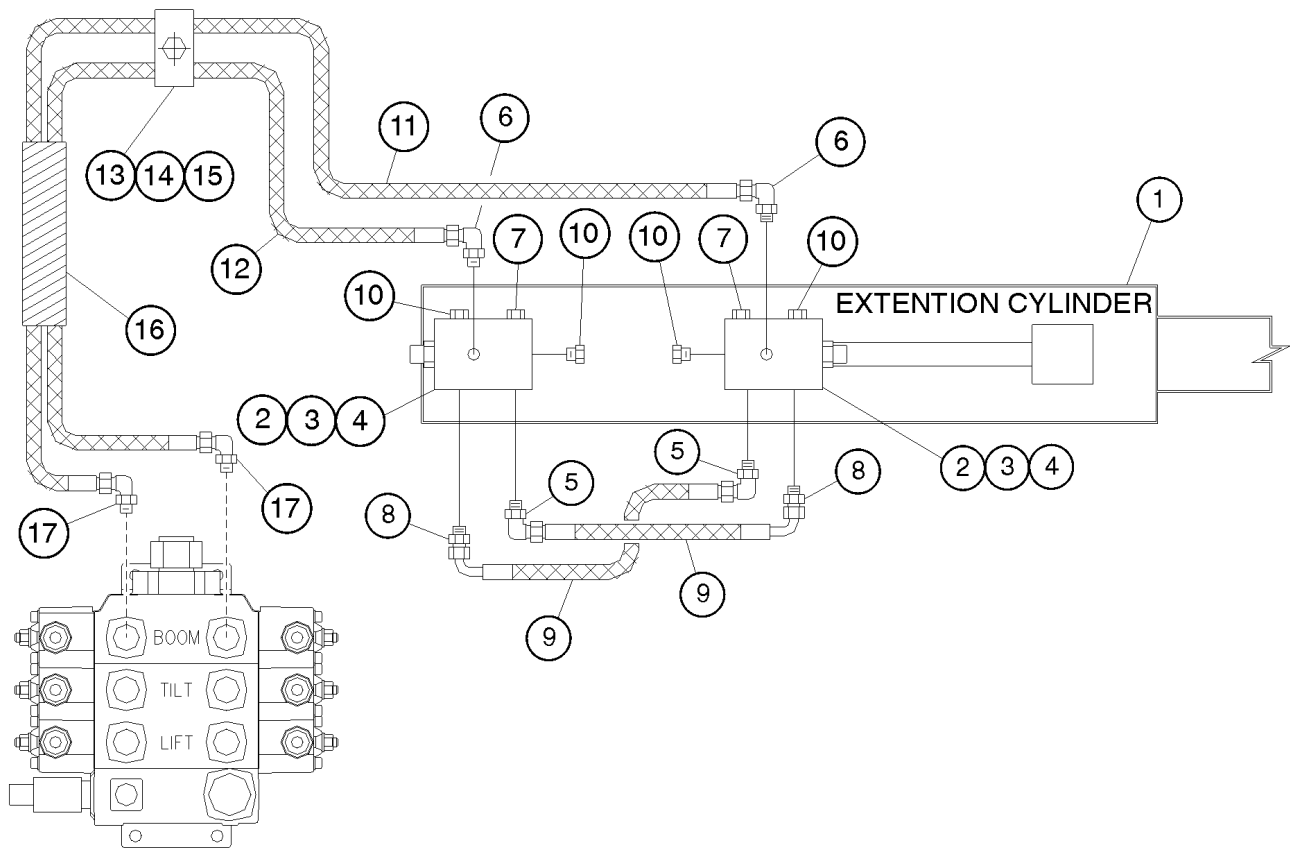
804.1 Circuit, Lift-Tilt, GTH-644



## 804.1 Circuit, Lift-Tilt, GTH-644

| Item | Part No.   | Description                             | Qty. | Item | Part No.   | Description                            | Qty. |
|------|------------|---|------|------|------------|--|------|
| 1    | 6-6453-04  | FITTING,06 OR X 04 JIC 90.....          | 8    | 41   | 6-6450-17  | FITTING,12 OR X 10 JIC STR.....        | 2    |
| 2    | 7-234-02   | VALVE,MOTION                            |      | 42   | 6-6452-17  | FITTING,12 OR X 10 JIC 45.....         | 2    |
| 3    | 6-5606-14  | SCREW,SHC,3/8-16 X 1.75.....            | 4    | 43   | 6-5205-16  | SCREW,HHC,5/16-18 X<br>2.00,GR8.....   | 2    |
| 4    | 6-6214-06  | WASHER,LOCK,HI COLLAR,.375...4          |      | 44   | 6-7005-188 | HOSE,10X10X94LG.....                   | 1    |
| 5    | 108561     | TUBE ASSY,STD,INNER,TH.....             | 1    | 45   | 5-2140     | SWIVEL NUT<br>ELBOW,-10,90DEG,.....    | 2    |
| 6    | 108562     | TUBE ASSY,STD,OUTER,TH.....             | 1    | 46   | 123177     | CLAMP CVR PLATE,TWIN,GRP<br>3.....     | 4    |
| 7    | 108558     | TUBE ASSY,STRAIGHT,TH.....              | 2    | 47   | 7-273-32   | CLAMP HALVES,TWIN,7/8" TUBE...4        |      |
| 8    |            | Ref. CYLINDER, TILT<br>(refer to 903.1) |      | 48   | 14723      | SCREW,HHC,5/16-18 X 1.75.....          | 1    |
| 9    | 6-7022-60  | HOSE,04X04-90X30LG.....                 | 1    | 49   | 36456      | SPRING CLIP, 5/16-18.....              | 1    |
| 10   | 6-7003-40  | HOSE,06X06X20LG.....                    | 1    | 50   | 6-7002-100 | HOSE,04X04X50LG.....                   | 1    |
| 11   | 7-234-01   | VALVE,MOTION                            |      | 51   | 13000      | SCREW,HHC,5/16-18 X 1.25               |      |
| 12   | 6-5606-22  | SCREW,SHC,3/8-16 X 2.75.....            | 4    | 52   | 7-234-54   | VALVE, MOTION                          |      |
| 13   | 6-6214-06  | WASHER,LOCK,HI COLLAR,.375...4          |      | 53   | 6-5606-22  | SCREW,SHC,3/8-16 X 2.75.....           | 8    |
| 14   | 6-6453-09  | FITTING,08 OR X 08 JIC 90.....          | 1    | 54   | 6-6214-06  | WASHER,LOCK,HI COLLAR,.375...8         |      |
| 15   | 6-6452-04  | FITTING,08 OR X 08 JIC 45.....          | 1    | 55   | 5-2139     | UNION,-10.....                         | 4    |
| 16   | 6-7002-26  | HOSE,4X4X13".....                       | 1    | 56   |            | Ref. CYLINDER,LIFT<br>(refer to 902.1) |      |
| 17   | 123670     | FITTING,06 OR X 06 JIC 90.....          | 2    | 57   | 6-7002-17  | HOSE,04X04X8 1/2LG.....                | 1    |
| 18   | 6-7014-768 | HOSE,10X8X384LG.....                    | 1    | 58   | 6-6457-05  | FITTING,06 OR,HEX HEAD<br>PLUG.....    | 3    |
| 20   | 123192     | CLAMP HALVES,TWIN,5/8" TUBE...6         |      | 59   | 6-7005-200 | HOSE,10X10X100LG.....                  | 1    |
| 21   | 123176     | PLATE, TOP.....                         | 6    | 60   | 6-7005-180 | HOSE,10X10X90LG.....                   | 1    |
| 22   | 14033      | SCREW,HHC,3/8-16 X 2.75.....            | 1    | 61   | 6-6457-03  | FITTING,04 OR OR HEX HEAD PLUG         |      |
| 23   | 4828       | NUT,NYLOCK,3/8-16.....                  | 1    | 62   | 6-7005-172 | HOSE,10X10X86LG.....                   | 1    |
| 24   | 6097       | WASHER,FLAT,USS,3/8",Y.....             | 1    | 63   | 108576     | FORMING,HOSE GUIDE.....                | 2    |
| 25   | 50793      | SCREW,HHC,5/16-18 X 2.....              | 1    | 64   | 6-5204-06  | SCREW,HHC,1/4-20X.75,GR8.....          | 4    |
| 26   | 6-6476-07  | #10,45DEG BULKHEAD.....                 | 2    | 65   | 6-6212-04  | WASHER,FLAT,.250,<br>HARDENED.....     | 4    |
| 27   | 6-6480-07  | FITTING,10 JIC,SW-BR-TEE.....           | 2    | 66   | 56912      | SPRING CLIP,1/4-20,.025-.15X.5....4    |      |
| 28   | 6-6485-03  | FITTING,10 OR X 10 JIC, SWIV.....1      |      | 67   | 6-7005-120 | HOSE,10X10X60LG.....                   | 2    |
| 29   | 7-234-50   | VALVE                                   |      | 68   | 123838     | COIL,PROTECTIVE,PLASTIC.....           | 12   |
| 30   | 6-6450-05  | CONNECTOR,070120-4-6                    |      |      |            |  |      |
| 31   | 6-7022-30  | HOSE,4X4-90X15"                         |      |      |            |  |      |
| 32   | 6-6453-12  | FITTING,10 OR X 10 JIC 90.....          | 1    |      |            |  |      |
| 33   | 6-6450-15  | FITTING,08 OR X 10 JIC STR.....         | 2    |      |            |  |      |
| 34   | 6-6453-11  | FITTING,08 OR X 10 JIC 90.....          | 2    |      |            |  |      |
| 35   | 7-234-04   | VALVE,DUAL CHECK                        |      |      |            |  |      |
| 36   | 6-7025-36  | HOSE,10X10-90X18".....                  | 1    |      |            |  |      |
| 37   | 6-7005-32  | HOSE,10X10X16".....                     | 1    |      |            |  |      |
| 38   | 6-7025-36  | HOSE,10X10-90X18".....                  | 1    |      |            |  |      |
| 39   | 6-6452-06  | FITTING,10 OR X 10 JIC 45.....          | 4    |      |            |  |      |
| 40   | 6-6481-07  | FITTING,10 JIC, SW-RUN-TEE.....         | 2    |      |            |  |      |

805.1 Circuit, Boom

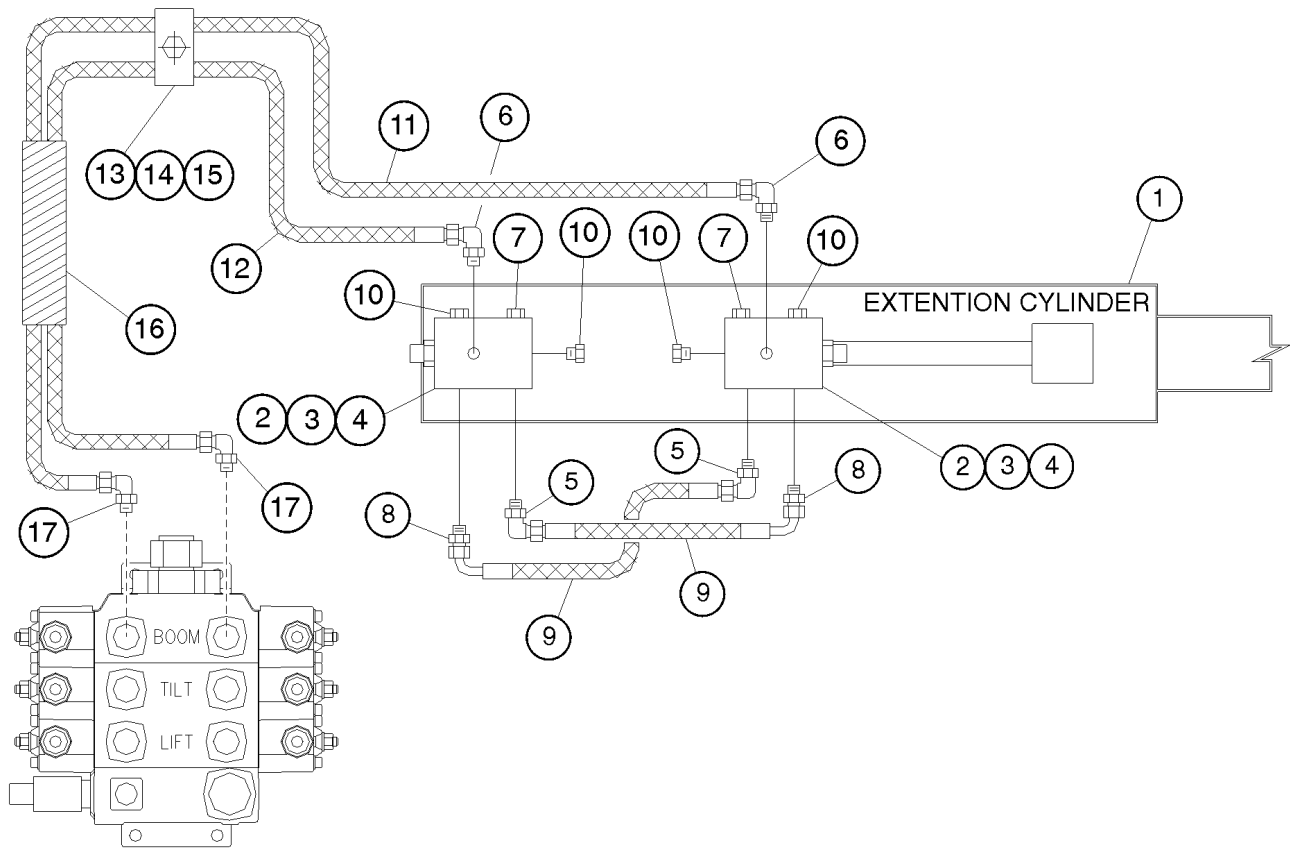


MAIN VALVE ASSEMBLY



| Item | Part No.   | Description                                       | Qty. |
|------|------------|---|------|
| 1    |            | Ref. CYLINDER ASSY,BOOM TH844<br>(refer to 904.1) |      |
| 2    | 7-234-03   | VALVE,MOTION                                      |      |
| 3    | 6-5606-22  | SCREW,SHC,3/8-16 X 2.75.....                      | 8    |
| 4    | 6-6214-06  | WASHER,LOCK,HI COLLAR,.375..                      | 8    |
| 5    | 6-6453-03  | FITTING,04 OR X 04 JIC 90.....                    | 2    |
| 6    | 6-6453-12  | FITTING,10 OR X 10 JIC 90.....                    | 2    |
| 7    | 6-6457-03  | FITTING,04 OR OR HEX HEAD<br>PLUG.....            | 2    |
| 8    | 6-6450-05  | CONNECTOR,070120-4-6.....                         | 2    |
| 9    | 6-7022-30  | HOSE,4X4-90X15".....                              | 2    |
| 10   | 6-6457-05  | FITTING,06 OR,HEX HEAD<br>PLUG.....               | 4    |
| 11   | 6-7005-184 | HOSE,10X10X92LG.....                              | 1    |
| 12   | 6-7005-158 | HOSE,10X10X79LG.....                              | 1    |
| 13   | 7-273-32   | CLAMP HALVES,TWIN,7/8" TUBE..                     | 1    |
| 14   | 123177     | CLAMP CVR PLATE,TWIN,GRP<br>3.....                | 1    |
| 15   | 50793      | SCREW,HHC,5/16-18 X 2.....                        | 1    |
| 16   | 123838     | COIL,PROTECTIVE,PLASTIC.....                      | 12   |
| 17   | 6-6453-13  | FITTING,12 OR X 10 JIC 90.....                    | 2    |

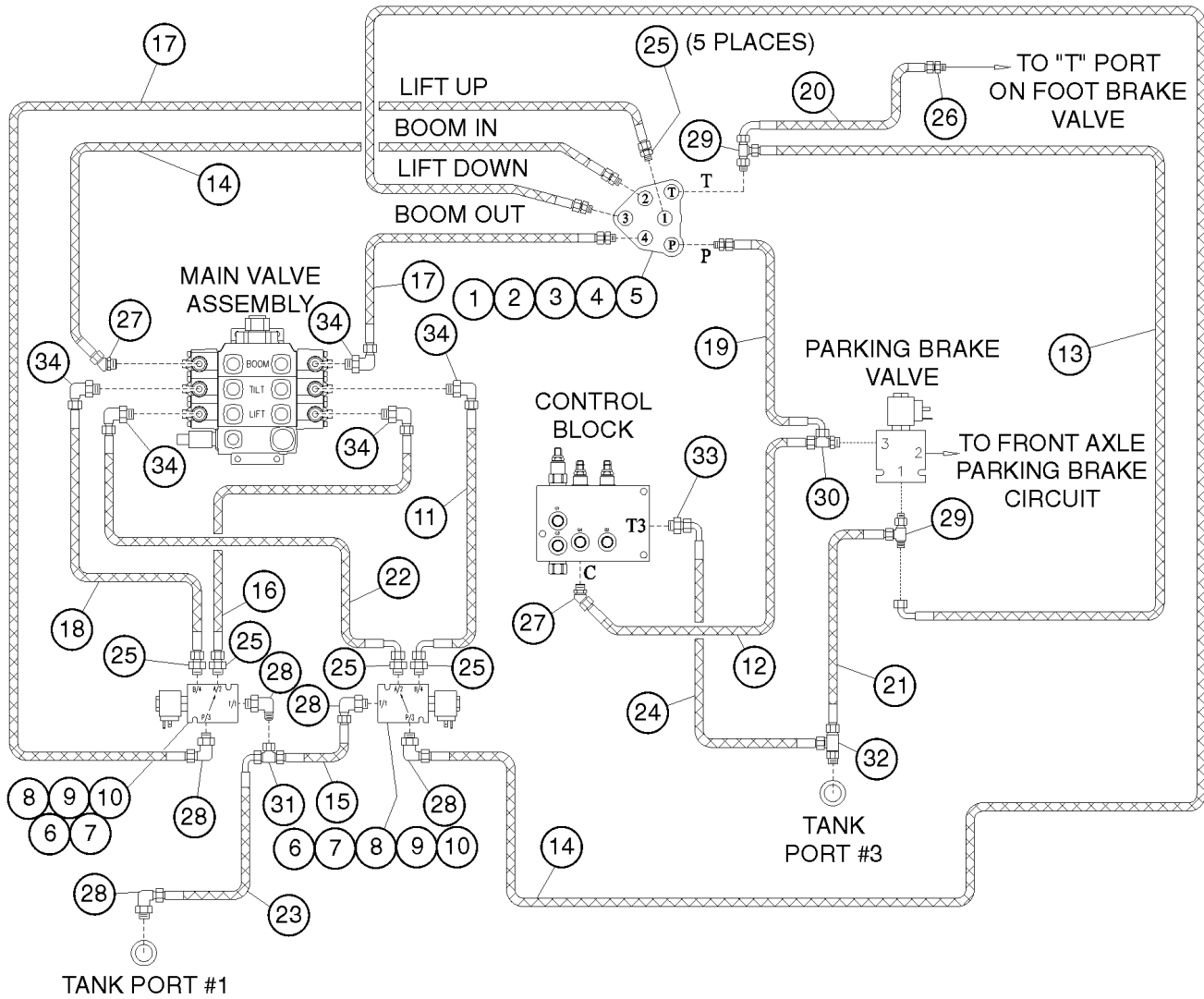
806.1 Circuit, Boom, GTH-842



MAIN VALVE ASSEMBLY

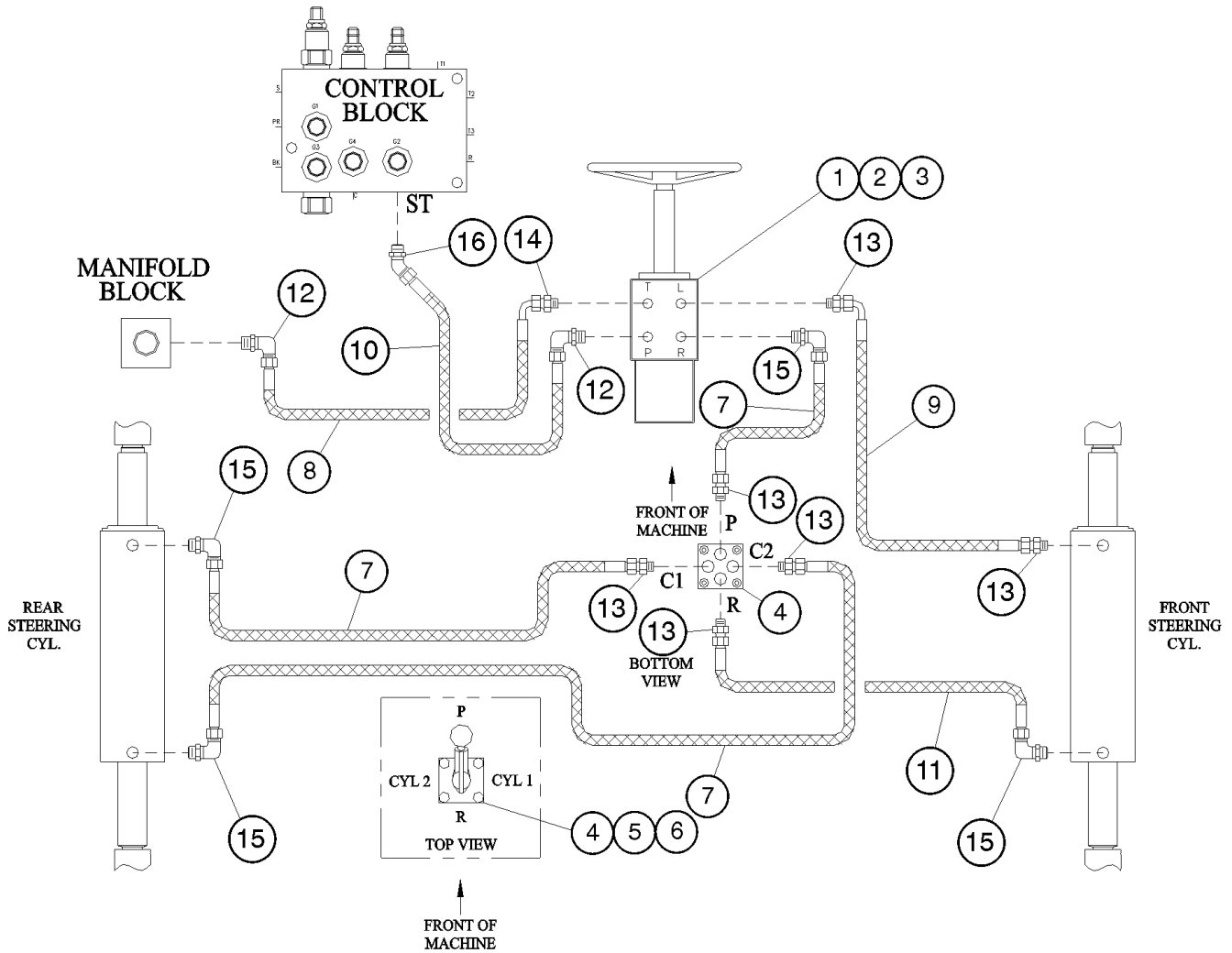
| Item | Part No.   | Description                            | Qty. |
|------|------------|--|------|
| 1    |            | Ref. CYLINDER,BOOM<br>(refer to 905.1) |      |
| 2    | 7-234-03   | VALVE,MOTION                           |      |
| 3    | 6-5606-22  | SCREW,SHC,3/8-16 X 2.75.....           | 8    |
| 4    | 6-6214-06  | WASHER,LOCK,HI COLLAR,.375..           | 8    |
| 5    | 6-6453-03  | FITTING,04 OR X 04 JIC 90.....         | 2    |
| 6    | 6-6453-12  | FITTING,10 OR X 10 JIC 90.....         | 2    |
| 7    | 6-6457-03  | FITTING,04 OR OR HEX HEAD<br>PLUG..... | 2    |
| 8    | 6-6450-05  | CONNECTOR,070120-4-6.....              | 2    |
| 9    | 6-7022-30  | HOSE,4X4-90X15".....                   | 2    |
| 10   | 6-6457-05  | FITTING,06 OR,HEX HEAD<br>PLUG.....    | 4    |
| 11   | 6-7005-204 | HOSE,10X10X102"LG.....                 | 1    |
| 12   | 6-7005-184 | HOSE,10X10X92LG.....                   | 1    |
| 13   | 7-273-32   | CLAMP HALVES,TWIN,7/8" TUBE...1        |      |
| 14   | 123177     | CLAMP CVR PLATE,TWIN,GRP<br>3.....     | 1    |
| 15   | 14723      | SCREW,HHC,5/16-18 X 1.75.....          | 1    |
| 16   | 123838     | COIL,PROTECTIVE,PLASTIC.....           | 12   |
| 17   | 6-6453-13  | FITTING,12 OR X 10 JIC 90.....         | 2    |

807.1 Circuit, 4 Way Controller



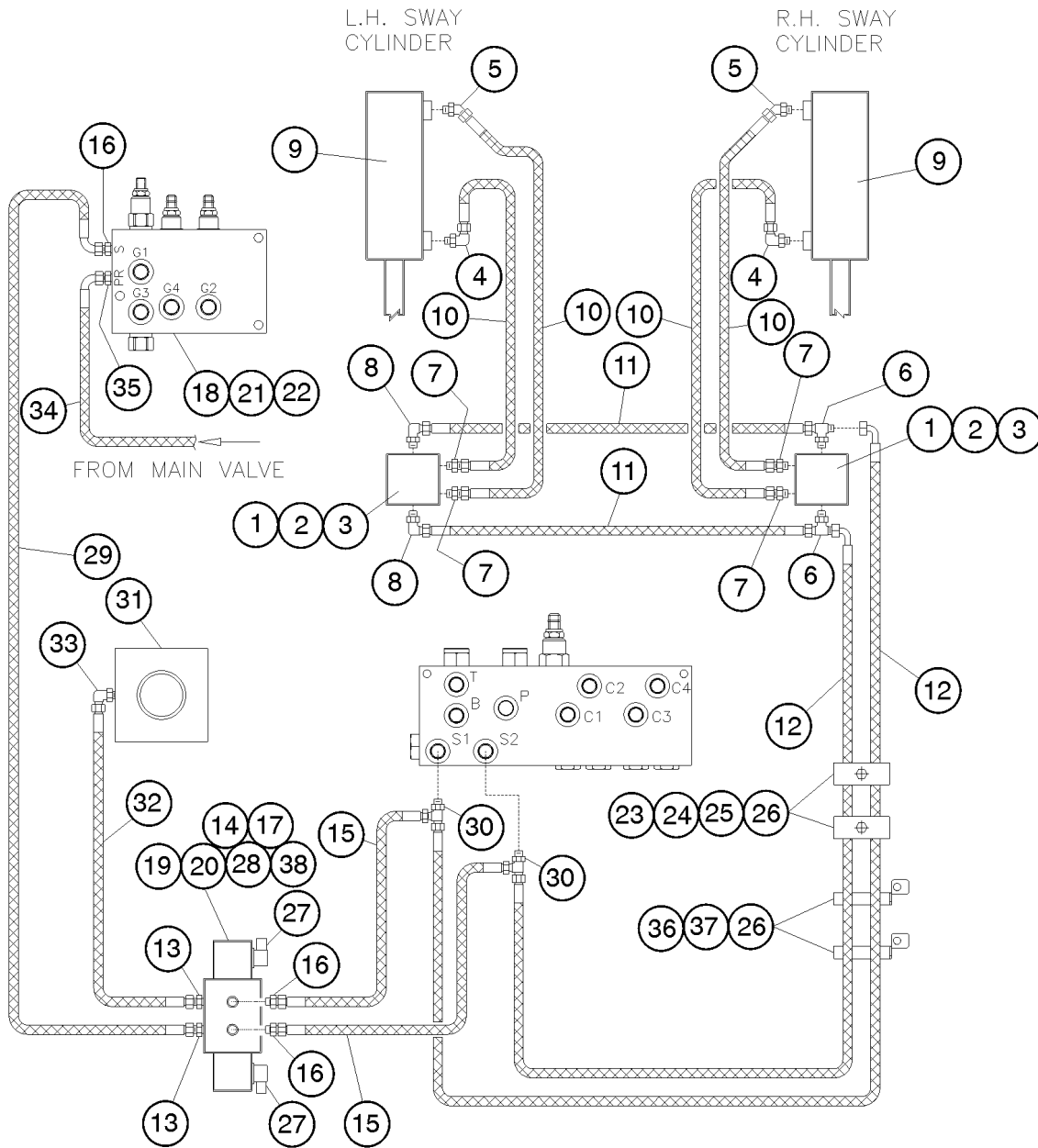
| Item | Part No.   | Description  | Qty. |
|------|------------|--|------|
| 1    |            | Ref. CONTROLLER, 4 WAY.....Ref.<br><i>refer to figure 607.1</i>  |      |
| 2    | 6-5204-06  | SCREW,HHC,1/4-20X.75,GR8.....  | 4    |
| 3    | 6-6212-04  | WASHER,FLAT,.250,<br>HARDENED.....   | 4    |
| 4    | 6356       | WASHER,LOCK,.25.....   | 4    |
| 5    | 6-6201-04  | NUT,HEX,1/4-20.....  | 4    |
| 6    | 7-367-09   | VALVE,ELECTRIC 4WAY.....   | Ref. |
| 7    | 6-5204-14  | SCREW,HHC,1/4-20X1.75,GR8.....   | 4    |
| 8    | 6356       | WASHER,LOCK,.25.....   | 4    |
| 9    | 6-6212-04  | WASHER,FLAT,.250,<br>HARDENED.....   | 4    |
| 10   | 7-244-27   | Ref. DIN CONNECTOR.....Ref.<br><i>(7-244-27 is no longer available from<br/>supplier, however, some Genie<br/>inventory may still be in stock)</i> |      |
| 11   | 6-7022-34  | HOSE, 4X4-90X17".....  | 1    |
| 12   | 6-7002-204 | HOSE,04X04X102LG.....  | 1    |
| 13   | 6-7023-62  | HOSE,06X06-90X31LG.....  | 1    |
| 14   | 6-7002-244 | HOSE,04X04X122LG.....  | 2    |
| 15   | 6-7002-17  | HOSE,04X04X8 1/2LG.....  | 1    |
| 16   | 6-7002-26  | HOSE,4X4X13".....  | 1    |
| 17   | 6-7002-276 | HOSE,04X04X138LG.....  | 2    |
| 18   | 6-7002-34  | HOSE,4X4X17".....  | 1    |
| 19   | 6-7022-60  | HOSE,04X04-90X30LG.....  | 1    |
| 20   | 6-7023-120 | HOSE,06X06-90X60LG.....  | 1    |
| 21   | 6-7003-212 | HOSE,06X06X106LG.....  | 1    |
| 22   | 6-7022-44  | HOSE,4X4-90X22".....   | 1    |
| 23   | 6-7022-28  | HOSE,4X4-90X14".....   | 1    |
| 24   | 6-7023-32  | HOSE,6X6-90X16".....   | Ref. |
| 25   | 6-6450-05  | CONNECTOR,070120-4-6.....  | 9    |
| 26   | 123671     | FITTING, 06OR X 06 JIC STR.....  | 1    |
| 27   | 6-6452-19  | FITTING,06 OR X 04 JIC 45.....   | 2    |
| 28   | 6-6453-04  | FITTING,06 OR X 04 JIC 90.....   | 10   |
| 29   | 6-6455-05  | FITTING,06 OR X 06 JIC RN-TEE...2  |      |
| 30   | 6-6455-15  | FITTING,06 OR X 04 JIC RN-TEE...1  |      |
| 31   | 6-6480-03  | FITTING.....   | 1    |
| 32   | 6-6455-05  | FITTING,06 OR X 06 JIC RN-TEE...1  |      |
| 33   | 123671     | FITTING, 06OR X 06 JIC STR.....  | Ref. |
| 34   | 45415      | ELBOW,070221-4-4.....  | 5    |

808.1 Circuit, Steering



| Item | Part No.   | Description   | Qty. |
|------|------------|---|------|
| 1    |            | Ref. STEERING UNIT 250CC<br>TEFLON***<br>(refer to 912.1) |      |
| 2    | 77692      | SCREW,HHC,3/8-16 X 1 GRD 8.....4                          |      |
| 3    | 6021       | WASHER,LOCK,.375.....4                                    |      |
| 4    | 7-359-02   | VALVE,STEERING.....Ref.                                   |      |
| 5    | 123840     | SCREW,HHC,5/16-18X.75,GR8,Y...4                           |      |
| 6    | 6886       | WASHER,LOCK,.313.....4                                    |      |
| 7    | 6-7003-212 | HOSE,06X06X106LG.....3                                    |      |
| 8    | 6-7024-388 | HOSE,08X08-90X194LG.....1                                 |      |
| 9    | 6-7023-318 | HOSE,06X06-90X159LG.....1                                 |      |
| 10   | 6-7004-352 | HOSE,08X08X176LG.....1                                    |      |
| 11   | 6-7003-244 | HOSE,06X06X122LG.....1                                    |      |
| 12   | 6-6453-09  | FITTING,08 OR X 08 JIC 90.....2                           |      |
| 13   | 123673     | FITTING, 08 OR X 06 JIC STR.....6                         |      |
| 14   | 6-6450-12  | FITTING,08 OR X 08 JIC STR.....1                          |      |
| 15   | 6-6453-07  | FITTING,08 OR X 06 JIC 90.....4                           |      |
| 16   | 6-6452-04  | FITTING,08 OR X 08 JIC 45.....1                           |      |

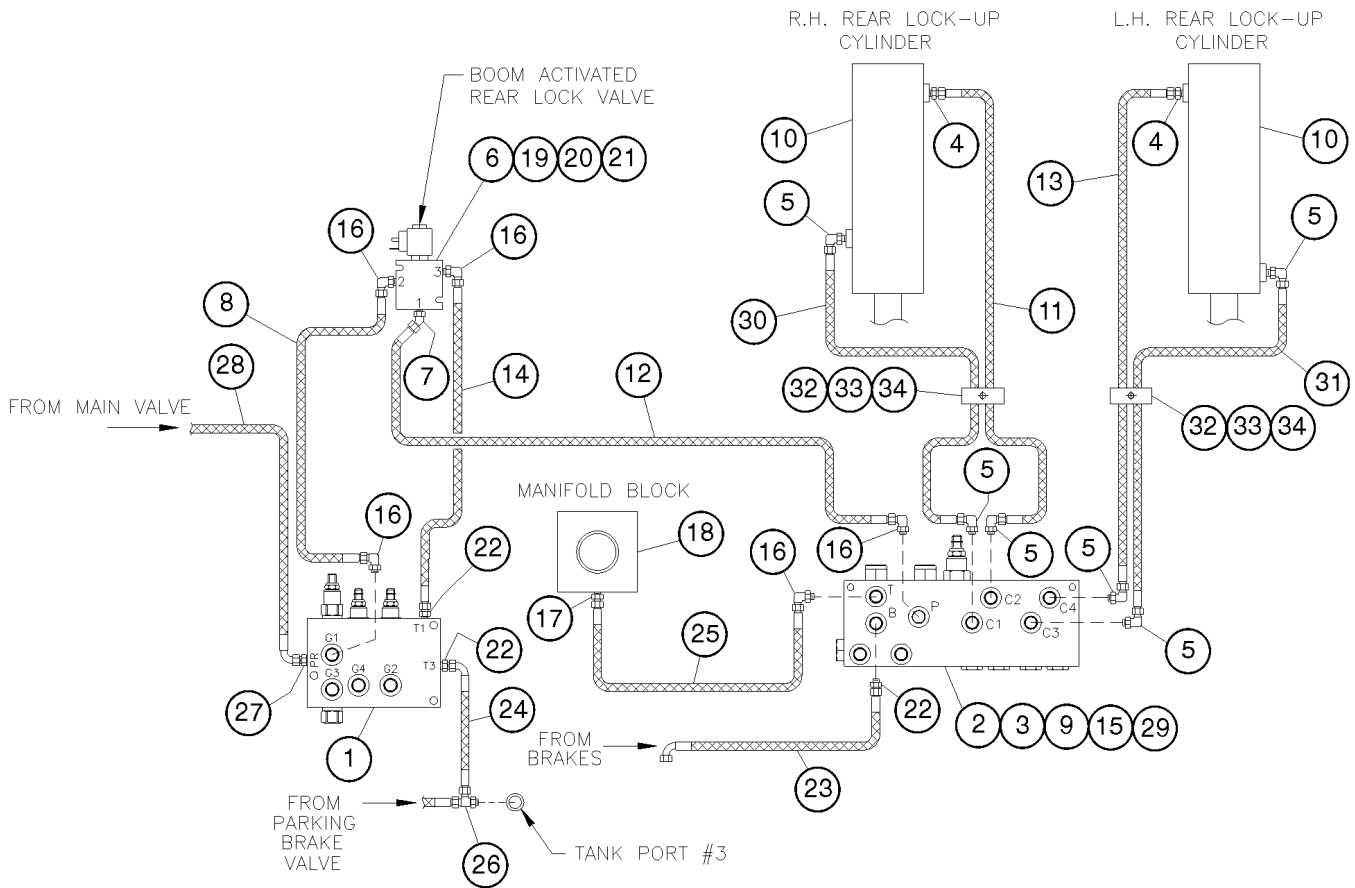
809.1 Circuit, Sway





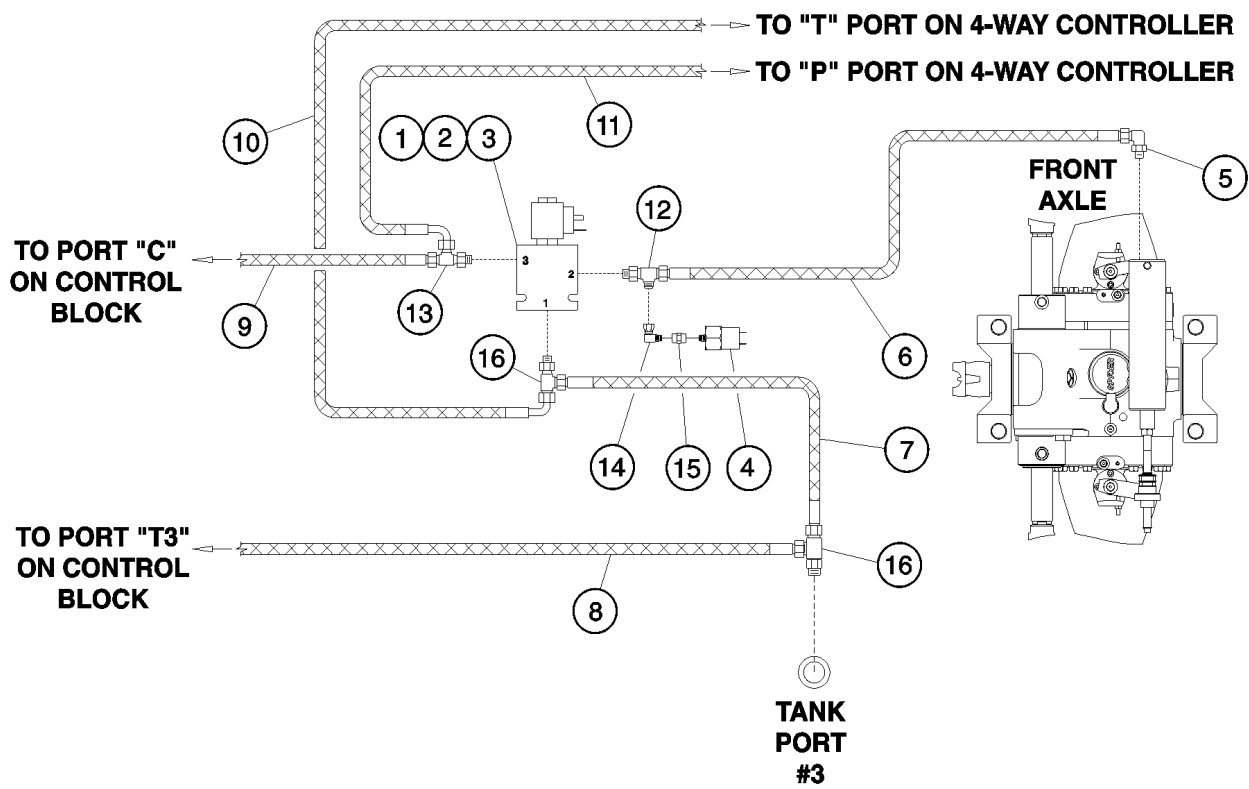
| Item | Part No.   | Description  | Qty. | Item | Part No.  | Description                            | Qty. |
|------|------------|--|------|------|-----------|--|------|
| 1    | 7-234-04   | VALVE,DUAL CHECK.....Ref.  |      | 35   | 6-6450-15 | FITTING,08 OR X 10 JIC STR.....Ref.    |      |
| 2    | 6-5205-16  | SCREW,HHC,5/16-18 X<br>2.00,GR8.....4  | 4    | 36   | 5-2079    | FORMING,HOSE HOLDER.....2              | 2    |
| 3    | 7-173-05   | THREADED SPRING CLIP, 5/16.....4   | 4    | 37   | 64154     | BOLT,CARRIAGE,3/8-16<br>X1.00,G5.....2 | 2    |
| 4    | 6-6453-04  | FITTING,06 OR X 04 JIC 90.....2  | 2    | 38   | 6-5204-14 | SCREW,HHC,1/4-20X1.75,GR8.....1        | 1    |
| 5    | 6-6452-19  | FITTING,06 OR X 04 JIC 45.....2  | 2    |      |           |  |      |
| 6    | 6-6454-06  | FITTING,08 OR X 08 JIC BR-TEE...2  | 2    |      |           |  |      |
| 7    | 6-6450-06  | FITTING, 08 OR X 04 JIC STR.....4  | 4    |      |           |  |      |
| 8    | 6-6453-09  | FITTING,08 OR X 08 JIC 90.....2  | 2    |      |           |  |      |
| 9    |            | Ref. CYLINDER, SWAY (DEUTZ<br>CHASSIS)<br><i>refer to 906.1</i>  |      |      |           |  |      |
| 10   | 6-7002-74  | HOSE,04X04X37LG.....4  | 4    |      |           |  |      |
| 10   | 7-244-27   | Ref. DIN CONNECTOR.....Ref.<br><i>(7-244-27 is no longer available from<br/>supplier, however, some Genie<br/>inventory may still be in stock)</i> |      |      |           |  |      |
| 11   | 6-7004-44  | HOSE,08X08X22LG.....2  | 2    |      |           |  |      |
| 12   | 6-7033-336 | HOSE,06X08-90X168LG.....2  | 2    |      |           |  |      |
| 13   | 110129     | CONNECTOR,ORIF,6-6,.062.....2  | 2    |      |           |  |      |
| 14   | 16073      | CLAMP,0.63,#10 X 1/4,RUB<br>CUSH.....1   | 1    |      |           |  |      |
| 15   | 6-7003-40  | HOSE,06X06X20LG.....2  | 2    |      |           |  |      |
| 16   | 123671     | FITTING, 06OR X 06 JIC STR.....3   | 3    |      |           |  |      |
| 17   |            | Ref. SWAY VALVE<br><i>refer to 920.1</i>   |      |      |           |  |      |
| 18   | 7-234-94   | CONTROL BLOCK.....Ref.   |      |      |           |  |      |
| 19   | 6-5204-12  | SCREW,HHC,1/4-20 X1.50,GR8.....1   | 1    |      |           |  |      |
| 20   | 6356       | WASHER,LOCK,.25.....2  | 2    |      |           |  |      |
| 21   | 6-5205-20  | SCREW,HHC,5/16-18X2.50,GR8.....3   | 3    |      |           |  |      |
| 22   | 6886       | WASHER,LOCK,.313.....3   | 3    |      |           |  |      |
| 23   | 7-273-27   | CLAMP HALVES,TWIN,3/8"PIPE....2  | 2    |      |           |  |      |
| 24   | 123176     | PLATE, TOP.....2   | 2    |      |           |  |      |
| 25   | 7-173-07   | BOLT,CARRIAGE,3/8-16X2.25.....2  | 2    |      |           |  |      |
| 26   | 4828       | NUT,NYLOCK,3/8-16.....4  | 4    |      |           |  |      |
| 28   | 6-6201-04  | NUT,HEX,1/4-20.....2   | 2    |      |           |  |      |
| 29   | 6-7023-62  | HOSE,06X06-90X31LG.....1   | 1    |      |           |  |      |
| 30   | 6-6455-05  | FITTING,06 OR X 06 JIC RN-TEE...2  | 2    |      |           |  |      |
| 31   | 3-1376     | MANIFOLD.....Ref.  |      |      |           |  |      |
| 32   | 6-7003-90  | HOSE,6X6X45".....1   | 1    |      |           |  |      |
| 33   | 6-6453-07  | FITTING,08 OR X 06 JIC 90.....1  | 1    |      |           |  |      |
| 34   | 6-7025-36  | HOSE,10X10-90X18".....Ref.   |      |      |           |  |      |

810.1 Circuit, Rear Lock-Up



| Item | Part No.   | Description                                 | Qty. |
|------|------------|---|------|
| 1    | 7-234-94   | CONTROL BLOCK.....                          | Ref. |
| 2    | 7-168-02   | REAR LOCK UP BLOCK<br>ASSEMBLY.....         | Ref. |
| 3    | 7-304-07   | CARTRIDGE / MODULAR<br>CONTROL.....         | Ref. |
| 4    | 6-6450-05  | CONNECTOR,070120-4-6.....                   | 2    |
| 5    | 6-6453-04  | FITTING,06 OR X 04 JIC 90.....              | 6    |
| 6    | 7-367-13   | VALVE,REAR LOCKUP.....                      | Ref. |
| 7    | 6-6452-03  | FITTING,06OR X 06 JIC 45.....               | 1    |
| 8    | 6-7003-22  | HOSE,6X6X11".....                           | 1    |
| 9    | 6886       | WASHER,LOCK,.313.....                       | 2    |
| 10   |            | Ref. CYLINDER, SWAY (DEUTZ<br>CHASSIS)..... | Ref. |
|      |            | <i>refer to 706.1</i>                       |      |
| 11   | 6-7002-86  | HOSE,04X04X43LG.....                        | 1    |
| 12   | 6-7003-56  | HOSE,6X6X28".....                           | 1    |
| 13   | 6-7002-62  | HOSE,04X04X31LG.....                        | 1    |
| 14   | 6-7003-20  | HOSE,6X6X10".....                           | 1    |
| 15   | 6-5205-22  | SCREW,HHC,5/16-18X2.75,GR8.....             | 2    |
| 16   | 123670     | FITTING,06 OR X 06 JIC 90.....              | 5    |
| 17   | 123673     | FITTING, 08 OR X 06 JIC STR.....            | 1    |
| 18   | 3-1376     | MANIFOLD.....                               | Ref. |
| 19   | 6-5204-14  | SCREW,HHC,1/4-20X1.75,GR8.....              | 2    |
| 20   | 6356       | WASHER,LOCK,.25.....                        | 2    |
| 21   | 6-6212-04  | WASHER,FLAT,.250,<br>HARDENED.....          | 2    |
| 22   | 123671     | FITTING, 06OR X 06 JIC STR.....             | 3    |
| 23   | 6-7023-62  | HOSE,06X06-90X31LG.....                     | 1    |
| 24   | 6-7023-32  | HOSE,6X6-90X16".....                        | 1    |
| 25   | 6-7003-74  | HOSE,6X6X37".....                           | 1    |
| 26   | 6-6455-05  | FITTING,06 OR X 06 JIC<br>RN-TEE.....       | Ref. |
| 27   | 6-6450-15  | FITTING,08 OR X 10 JIC STR.....             | Ref. |
| 28   | 6-7025-36  | HOSE,10X10-90X18".....                      | Ref. |
| 29   | 6038       | NUT,HEX,5/16-18,GR8.....                    | 2    |
| 30   | 6-7002-100 | HOSE,04X04X50LG.....                        | 1    |
| 31   | 6-7002-84  | HOSE,04X04X42LG.....                        | 1    |
| 32   | 7-273-37   | CLAMP HALVES,TWIN,1/4" TUBE..               | 2    |
| 33   | 123176     | PLATE, TOP.....                             | 2    |
| 34   | 6-5205-10  | SCREW,HHC,5/16-18X1.25,GR8.....             | 2    |

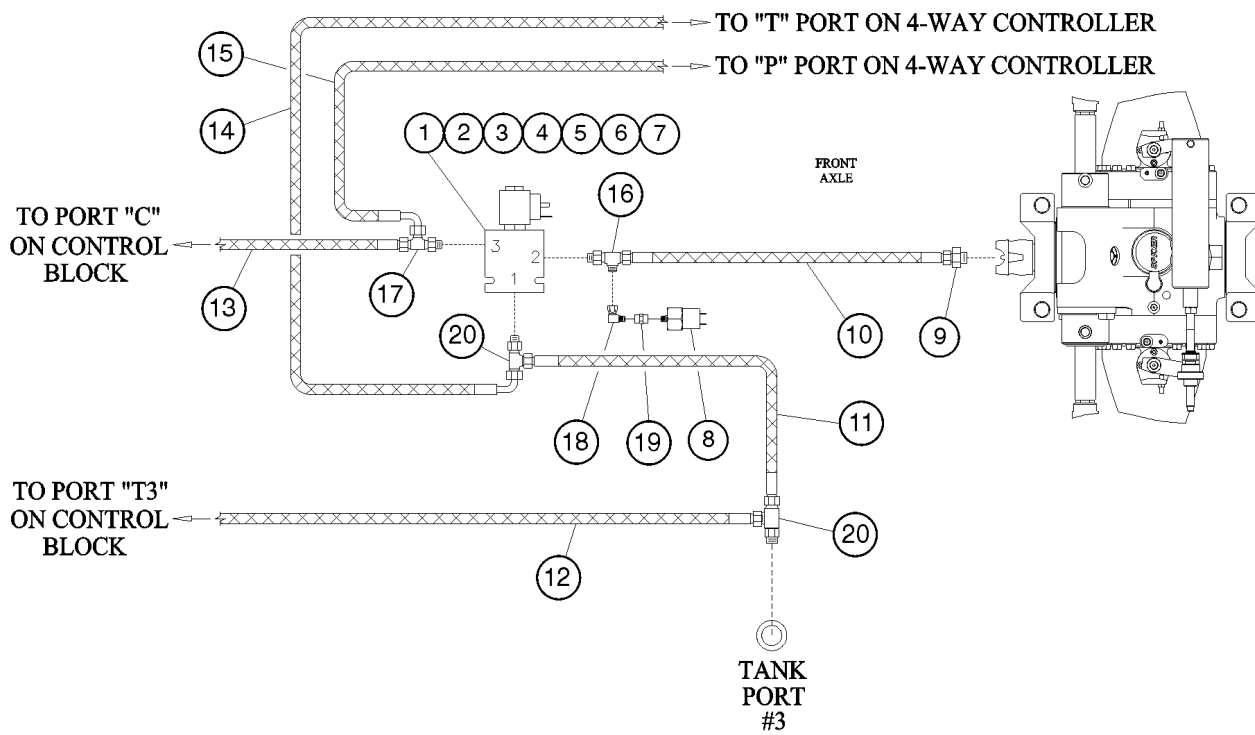
811.1 Circuit, Parking Brake, GTH-844, GTH-842



## 811.1 Circuit, Parking Brake, GTH-844, GTH-842

| Item | Part No.   | Description   | Qty. |
|------|------------|---|------|
| 1    | 7-367-02   | VALVE,DIFF.LOCK&PARKING BRAKE.....Ref.  |      |
| 2    | 5-2025     | PLATE,VALVE BLOCK SHIM.....1  |      |
| 3    | 7-244-27   | Ref. DIN CONNECTOR.....2<br><i>(7-244-27 is no longer available from supplier, however, some Genie inventory may still be in stock)</i> |      |
| 4    | 7-359-16   | PRESSURE SWITCH,250NC***.....1<br><i>Parking Brake Pressure Switch, activates brake light on dash. has orange and red wire on it.</i>   |      |
| 5    | 108672     | FITTING,1/4GASX06JIC90.....1  |      |
| 6    | 6-7003-144 | HOSE,06X06X72"LG.....1  |      |
| 7    | 6-7003-212 | HOSE,06X06X106LG.....Ref.   |      |
| 8    | 6-7023-32  | HOSE,6X6-90X16".....Ref.  |      |
| 9    | 6-7002-204 | HOSE,04X04X102LG.....Ref.   |      |
| 10   | 6-7023-62  | HOSE,06X06-90X31LG.....Ref.   |      |
| 11   | 6-7022-60  | HOSE,04X04-90X30LG.....Ref.   |      |
| 12   | 6-6455-05  | FITTING,06 OR X 06 JIC RN-TEE...1   |      |
| 13   | 6-6455-15  | FITTING,06 OR X 04 JIC RN-TEE.....Ref.  |      |
| 14   | 6-6435-03  | FITTING,04 NPT X 06 JIC 90SW.....1  |      |
| 15   | 6-6402-02  | FITTING,02 NPT X 04 NPT CPLG...1  |      |
| 16   | 6-6455-05  | FITTING,06 OR X 06 JIC RN-TEE.....Ref.  |      |

812.1 Circuit, Parking Brake, GTH-644

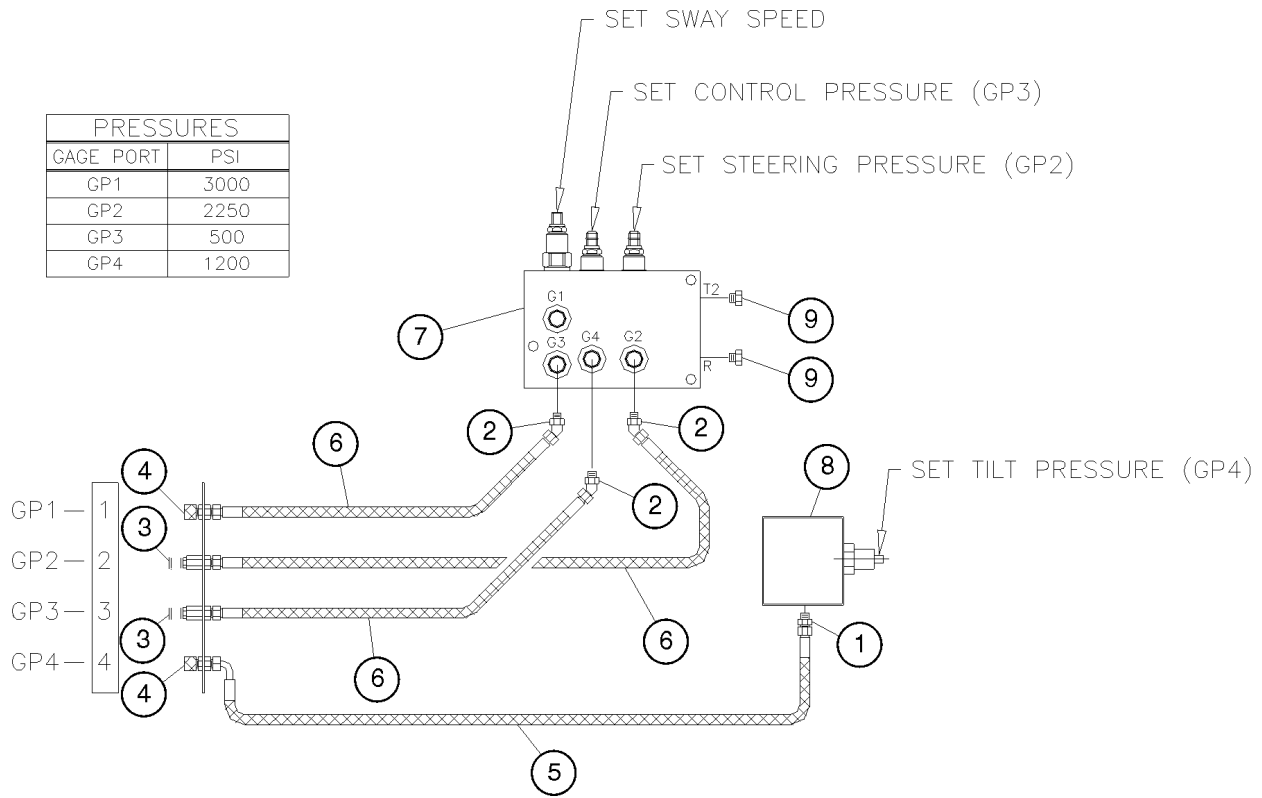


## 812.1 Circuit, Parking Brake, GTH-644

| Item | Part No.   | Description  | Qty. |
|------|------------|--|------|
| 1    | 7-367-02   | VALVE,DIFF.LOCK&PARKING BRAKE.....Ref.   |      |
| 2    | 5-2025     | PLATE,VALVE BLOCK SHIM.....1   |      |
| 3    | 6-5204-18  | SCREW,HHC,1/4-20X2.25,GR8.....2  |      |
| 4    | 6-6212-04  | WASHER,FLAT,.250,<br>HARDENED.....2  |      |
| 5    | 6356       | WASHER,LOCK,.25.....2  |      |
| 6    | 6-6201-04  | NUT,HEX,1/4-20.....2   |      |
| 7    | 7-244-27   | Ref. DIN CONNECTOR.....Ref.<br><i>(7-244-27 is no longer available from supplier, however, some Genie inventory may still be in stock)</i> |      |
| 8    | 7-359-16   | PRESSURE SWITCH,250NC*** .....1<br><i>Parking Brake Pressure Switch, activates brake light on dash. has orange and red wire on it.</i>     |      |
| 9    | 7-371-04   | FITTING, 14MM OR X 06<br>JIC,STR.....1   |      |
| 10   | 6-7003-136 | HOSE,06X06X68LG.....1  |      |
| 11   | 6-7003-212 | HOSE,06X06X106LG.....Ref.  |      |
| 12   | 6-7023-32  | HOSE,6X6-90X16".....Ref.   |      |
| 13   | 6-7002-204 | HOSE,04X04X102LG.....Ref.  |      |
| 14   | 6-7023-62  | HOSE,06X06-90X31LG.....Ref.  |      |
| 15   | 6-7022-60  | HOSE,04X04-90X30LG.....Ref.  |      |
| 16   | 6-6455-05  | FITTING,06 OR X 06 JIC RN-TEE...1  |      |
| 17   | 6-6455-15  | FITTING,06 OR X 04 JIC<br>RN-TEE.....Ref.  |      |
| 18   | 6-6435-03  | FITTING,04 NPT X 06 JIC 90SW.....1   |      |
| 19   | 6-6402-02  | FITTING,02 NPT X 04 NPT CPLG...1   |      |
| 20   | 6-6455-05  | FITTING,06 OR X 06 JIC<br>RN-TEE.....Ref.  |      |

813.1 Circuit, Pressure Checks

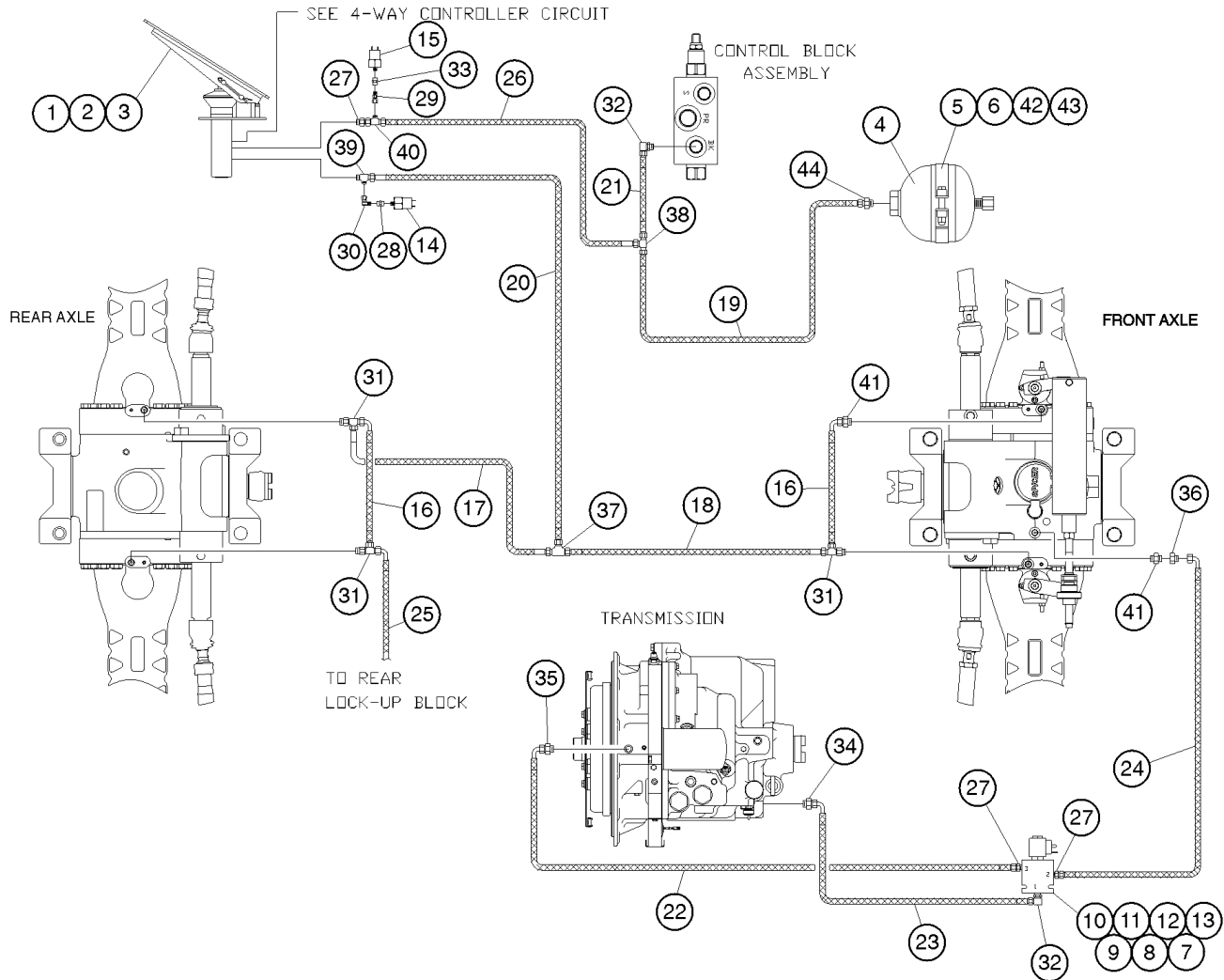
| PRESSURES |      |
|-----------|------|
| GAGE PORT | PSI  |
| GP1       | 3000 |
| GP2       | 2250 |
| GP3       | 500  |
| GP4       | 1200 |





| Item | Part No.  | Description                         | Qty. |
|------|-----------|-------------------------------------|------|
| 1    | 6-6450-05 | CONNECTOR,070120-4-6.....           | 1    |
| 2    | 6-6452-19 | FITTING,06 OR X 04 JIC 45.....      | 3    |
| 3    | 7-256-27  | VALVE,MALE PRESSURE<br>CHECK.....   | 2    |
| 4    | 7-302-01  | VALVE,PRESSURE<br>CHECK,MALE.....   | 2    |
| 5    | 6-7022-30 | HOSE,4X4-90X15".....                | 1    |
| 6    | 6-7002-34 | HOSE,4X4X17".....                   | 3    |
| 7    | 7-234-94  | CONTROL BLOCK.....                  | Ref. |
| 8    | 7-234-50  | VALVE.....                          | Ref. |
| 9    | 6-6457-05 | FITTING,06 OR,HEX HEAD<br>PLUG..... | 2    |

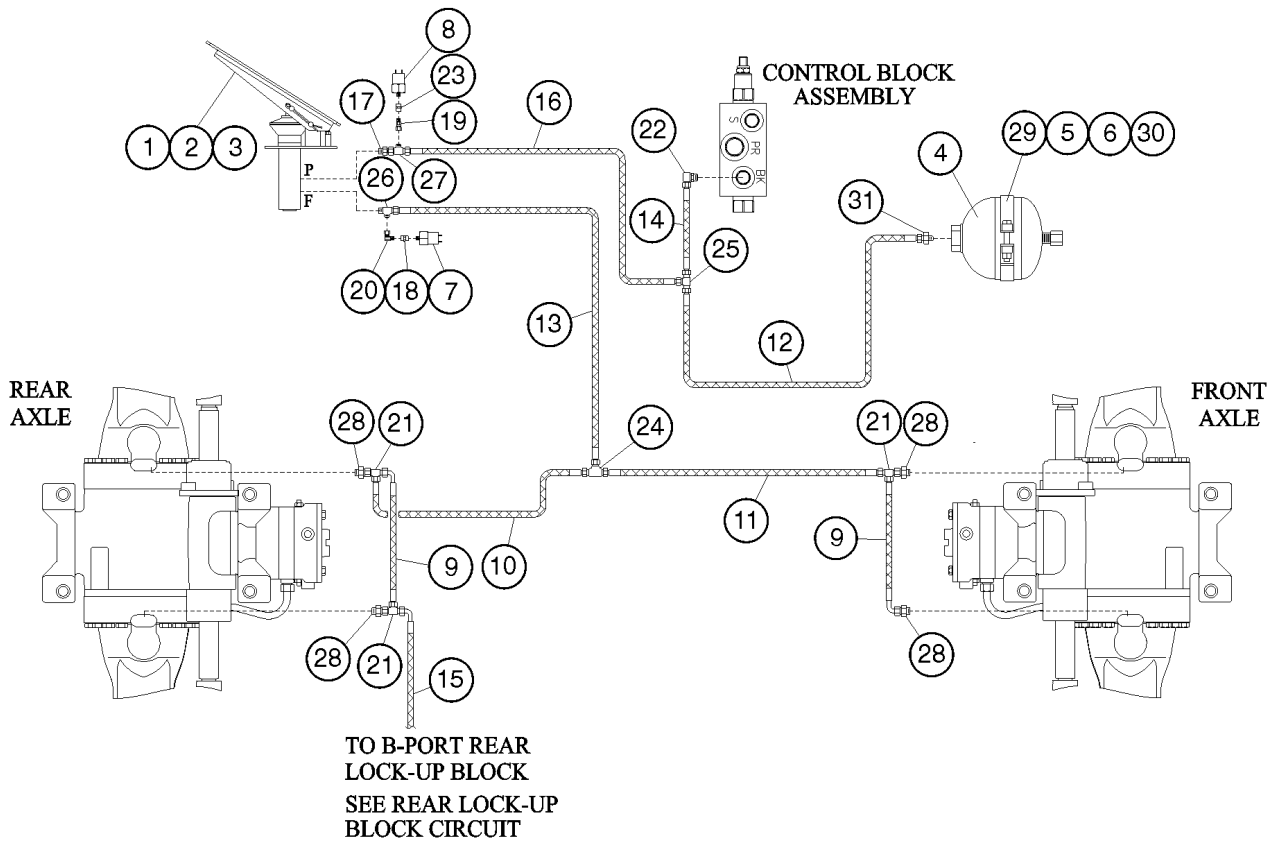
814.1 Circuit, Brake - Differential Lock, GTH-844, GTH-842



## 814.1 Circuit, Brake - Differential Lock, GTH-844, GTH-842

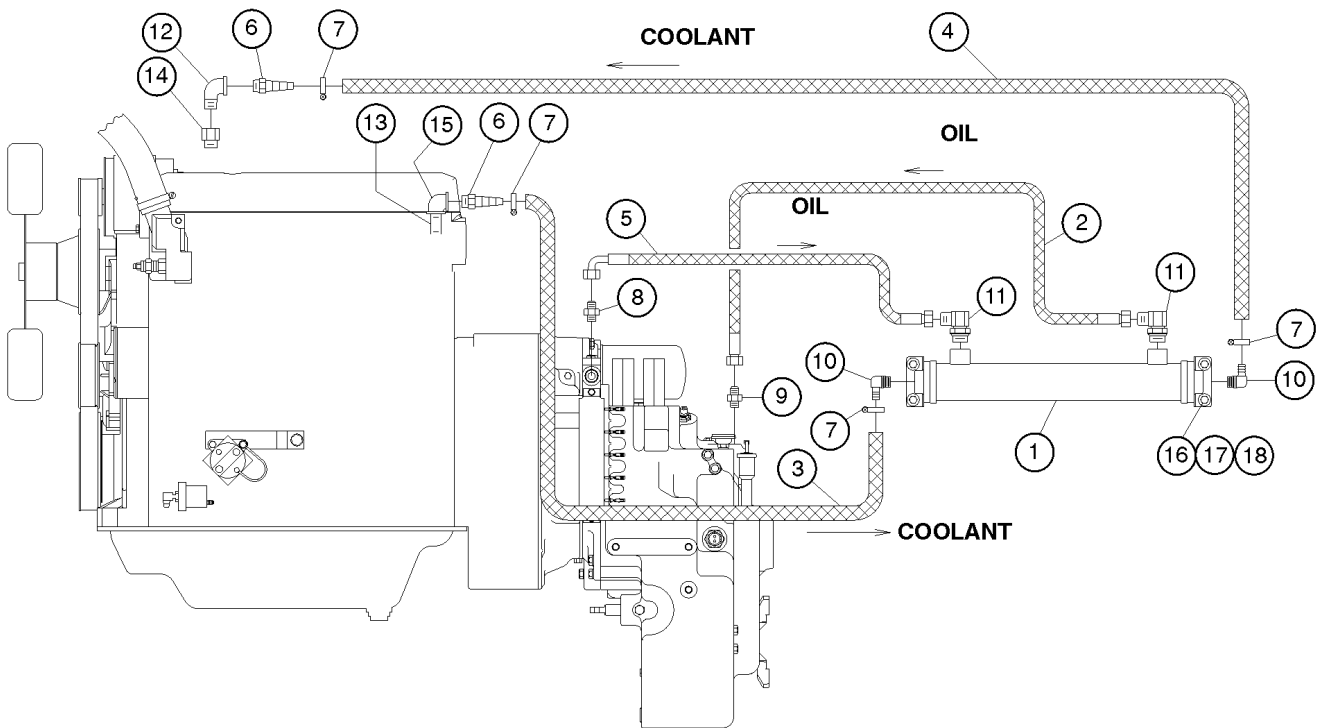
| Item | Part No.   | Description   | Qty. | Item | Part No.  | Description                         | Qty. |
|------|------------|---|------|------|-----------|-------------------------------------|------|
| 1    | 117694     | BRAKE PEDAL,FLOOR MOUNT.....Ref.  |      | 33   | 6-6440-02 | FITTING, 02 NPT COUPLING.....1      |      |
| 2    | 6-5204-06  | SCREW,HHC,1/4-20X.75,GR8....Ref.  |      | 34   | 6-6450-03 | FITTING,04 OR X 04 JIC STR.....1    |      |
| 3    | 6356       | WASHER,LOCK,.25.....Ref.  |      | 35   | 6-6450-36 | FITTING,03 OR X 04 JIC STR.....1    |      |
| 4    | 7-110-02   | ACCUMULATOR,BRAKE.....Ref.  |      | 36   | 6-6495-07 | FITTING,06 X 04 JIC REDUCER....1    |      |
| 5    | 6-5205-08  | SCREW,HHC,5/16-18X1.....2   |      | 37   | 6-6482-05 | FITTING, 06 JIC, UNION TEE.....1    |      |
| 6    | 57201      | WASHER,FLAT, 313, HARDENED.....2  |      | 38   | 6-6482-03 | FITTING, 04 JIC, TEE.....1          |      |
| 7    | 7-367-02   | VALVE,DIFF.LOCK&PARKING BRAKE.....Ref.  |      | 39   | 6-6455-05 | FITTING,06 OR X 06 JIC RN-TEE...1   |      |
| 8    | 5-2025     | PLATE,VALVE BLOCK SHIM.....1  |      | 40   | 6-6481-03 | FITTING, 04 JIC,SW-RN-TEE.....1     |      |
| 9    | 6-5204-30  | SCREW,HHC,1/4-20X3.75,GR8.....2   |      | 41   | 7-371-04  | FITTING, 14MM OR X 06 JIC,STR.....2 |      |
| 10   | 6-6212-04  | WASHER,FLAT,.250, HARDENED.....2  |      | 42   | 7-110-03  | MOUNTING BRACKET, ACCUMULATOR.....1 |      |
| 11   | 6356       | WASHER,LOCK,.25.....2   |      | 43   | 7-173-05  | THREADED SPRING CLIP, 5/16.....2    |      |
| 12   | 6-6201-04  | NUT,HEX,1/4-20.....2  |      | 44   | 6-6450-06 | FITTING, 08 OR X 04 JIC STR.....1   |      |
| 13   | 7-244-27   | Ref. DIN CONNECTOR.....2<br><i>(7-244-27 is no longer available from supplier, however, some Genie inventory may still be in stock)</i> |      |      |           |                                     |      |
| 14   | 7-359-17   | PRESSURE SWITCH,350NC***.....1<br><i>low brake pressure switch, will have light blue and black wire.</i>                                |      |      |           |                                     |      |
| 15   | 7-359-18   | PRESSURE SWITCH,1000NC***.....1<br><i>declutch pressure switch, will have two black wires</i>   |      |      |           |                                     |      |
| 16   | 6-7023-28  | HOSE,06X06-90X14LG.....2  |      |      |           |                                     |      |
| 17   | 6-7003-130 | HOSE,06X06X65LG.....1   |      |      |           |                                     |      |
| 18   | 6-7003-180 | HOSE,06X06X90LG.....1   |      |      |           |                                     |      |
| 19   | 6-7022-100 | HOSE,04X04-90X50.....1  |      |      |           |                                     |      |
| 20   | 6-7003-100 | HOSE,06X06X50LG.....1   |      |      |           |                                     |      |
| 21   | 6-7002-210 | HOSE,04X04X105LG.....1  |      |      |           |                                     |      |
| 22   | 6-7022-88  | HOSE,04X04-90X44LG.....1  |      |      |           |                                     |      |
| 23   | 6-7022-60  | HOSE,04X04-90X30LG.....1  |      |      |           |                                     |      |
| 24   | 6-7022-172 | HOSE,04X04-90X14LG.....1  |      |      |           |                                     |      |
| 25   | 6-7023-62  | HOSE,06X06-90X31LG.....Ref.   |      |      |           |                                     |      |
| 26   | 6-7002-100 | HOSE,04X04X50LG.....1   |      |      |           |                                     |      |
| 27   | 6-6450-05  | CONNECTOR,070120-4-6.....3  |      |      |           |                                     |      |
| 28   | 6-6402-02  | FITTING,02 NPT X 04 NPT CPLG...1  |      |      |           |                                     |      |
| 29   | 6-6486-01  | FITTING,02 NPT M X 04 JIC STR...1   |      |      |           |                                     |      |
| 30   | 6-6435-03  | FITTING,04 NPT X 06 JIC 90SW....1   |      |      |           |                                     |      |
| 31   | 108666     | FITTING,14MM X 06 JIC RN-TEE...3  |      |      |           |                                     |      |
| 32   | 6-6453-04  | FITTING,06 OR X 04 JIC 90.....2   |      |      |           |                                     |      |

815.1 Circuit, Brake, GTH-644



| Item | Part No.   | Description  | Qty. |
|------|------------|--|------|
| 1    | 117694     | BRAKE PEDAL,FLOOR<br>MOUNT.....Ref.  |      |
| 2    | 6-5204-06  | SCREW,HHC,1/4-20X.75,GR8.....4   |      |
| 3    | 6356       | WASHER,LOCK,.25.....4  |      |
| 4    | 7-110-02   | ACCUMULATOR,BRAKE.....Ref.   |      |
| 5    | 6-5205-08  | SCREW,HHC,5/16-18X1.....2  |      |
| 6    | 57201      | WASHER,FLAT, 313,<br>HARDENED.....2  |      |
| 7    | 7-359-17   | PRESSURE SWITCH,350NC***.....1<br><i>low brake pressure switch, with have<br/>light blue and black wire.</i> |      |
| 8    | 7-359-18   | PRESSURE SWITCH,1000NC***.....1<br><i>declutch pressure switch, will have two<br/>black wires.</i>           |      |
| 9    | 6-7023-28  | HOSE,06X06-90X14LG.....2   |      |
| 10   | 6-7003-130 | HOSE,06X06X65LG.....1  |      |
| 11   | 6-7003-174 | HOSE,06X06X87LG.....1  |      |
| 12   | 6-7022-100 | HOSE,04X04-90X50.....1   |      |
| 13   | 6-7003-100 | HOSE,06X06X50LG.....1  |      |
| 14   | 6-7002-210 | HOSE,04X04X105LG.....1   |      |
| 15   | 6-7023-62  | HOSE,06X06-90X31LG.....Ref.  |      |
| 16   | 6-7002-100 | HOSE,04X04X50LG.....1  |      |
| 17   | 6-6450-05  | CONNECTOR,070120-4-6.....1   |      |
| 18   | 6-6402-02  | FITTING,02 NPT X 04 NPT CPLG...1   |      |
| 19   | 6-6486-01  | FITTING,02 NPT M X 04 JIC STR...1  |      |
| 20   | 6-6435-03  | FITTING,04 NPT X 06 JIC 90SW....1  |      |
| 21   | 6-6481-05  | FITTING,06 JIC SW-RN-TEE.....3   |      |
| 22   | 6-6453-04  | FITTING,06 OR X 04 JIC 90.....1  |      |
| 23   | 6-6440-02  | FITTING, 02 NPT COUPLING.....1   |      |
| 24   | 6-6482-05  | FITTING, 06 JIC, UNION TEE.....1   |      |
| 25   | 6-6482-03  | FITTING, 04 JIC, TEE.....1   |      |
| 26   | 6-6455-05  | FITTING,06 OR X 06 JIC RN-TEE...1  |      |
| 27   | 6-6481-03  | FITTING, 04 JIC,SW-RN-TEE.....1  |      |
| 28   | 7-371-04   | FITTING, 14MM OR X 06<br>JIC,STR.....4   |      |
| 29   | 7-110-03   | MOUNTING BRACKET,<br>ACCUMULATOR.....1   |      |
| 30   | 7-173-05   | THREADED SPRING CLIP, 5/16....2  |      |
| 31   | 6-6450-06  | FITTING, 08 OR X 04 JIC STR.....1  |      |

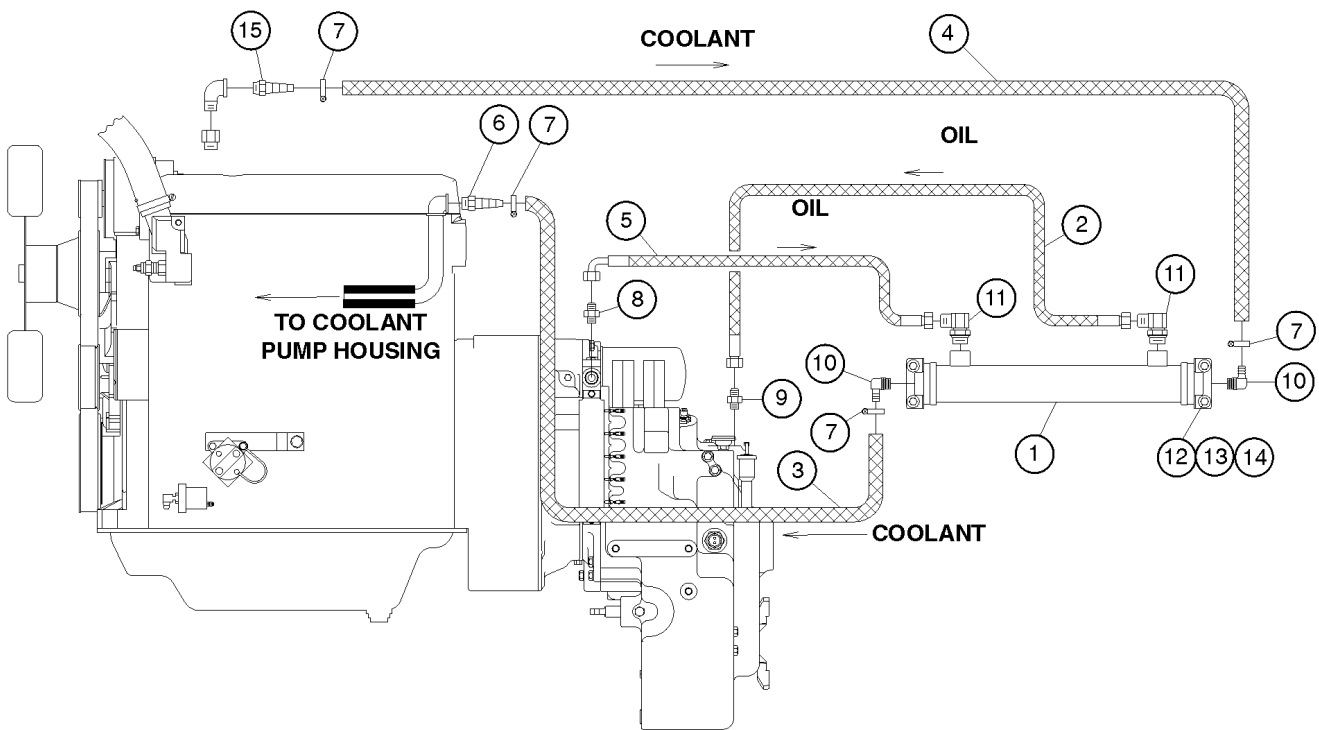
816.1 Circuit, Oil Cooler, JD-4045, Tier II



## 816.1 Circuit, Oil Cooler, JD-4045, Tier II

| Item | Part No.   | Description  | Qty. |
|------|------------|--|------|
| 1    | 7-900-152  | KIT, OIL COOLER.....1<br>( <i>Thermal Transfer, Model<br/>EKS-518-201503</i> ) | 1    |
| 2    | 6-7006-37  | HOSE,12X12X18.5".....1   | 1    |
| 3    | 6-9611-320 | HOSE,HEATER,3/4X40.....1   | 1    |
| 4    | 6-9611-464 | HOSE,HEATER,3/4X58.....1   | 1    |
| 5    | 6-7045-44  | HOSE,12X10-90X22.....1   | 1    |
| 6    | 6-6423-18  | HOSE END,12-08 MALE PIPE.....2   | 2    |
| 7    | 6-6252-04  | CLAMP,HOSE.....4   | 4    |
| 8    | 6-6450-16  | FITTING,10 ORX10 JIC STR.....1   | 1    |
| 9    | 6-6450-20  | FITTING,10ORX10JIC,STRAIGHT..1   | 1    |
| 10   | 6-6400-19  | FITTING, AIR BREATHER,<br>DEUTZ.....2  | 2    |
| 11   | 6-6453-15  | FITTING,12ORX12JIC,90.....2  | 2    |
| 12   | 6-6437-04  | FITTING,08NPT ST ELBOW,BLK...1   | 1    |
| 13   | 6-6413-03  | FITTING,1/2 PIPE NIPPLE.....1  | 1    |
| 14   | 6-6459-01  | FITTING,18MMX08 NPT,RED.....1  | 1    |
| 15   | 6-6438-04  | FITTING,08 NPT ELBOW,BLK.....1   | 1    |
| 16   | 6-5605-06  | SCREW,SHC,5/16-18X.75.....4  | 4    |
| 17   | 57201      | WASHER,FLAT, 313,<br>HARDENED.....4  | 4    |
| 18   | 7-173-05   | THREADED SPRING CLIP, 5/16.....4   | 4    |

817.1 Circuit, Oil Cooler, Perkins, 1104C

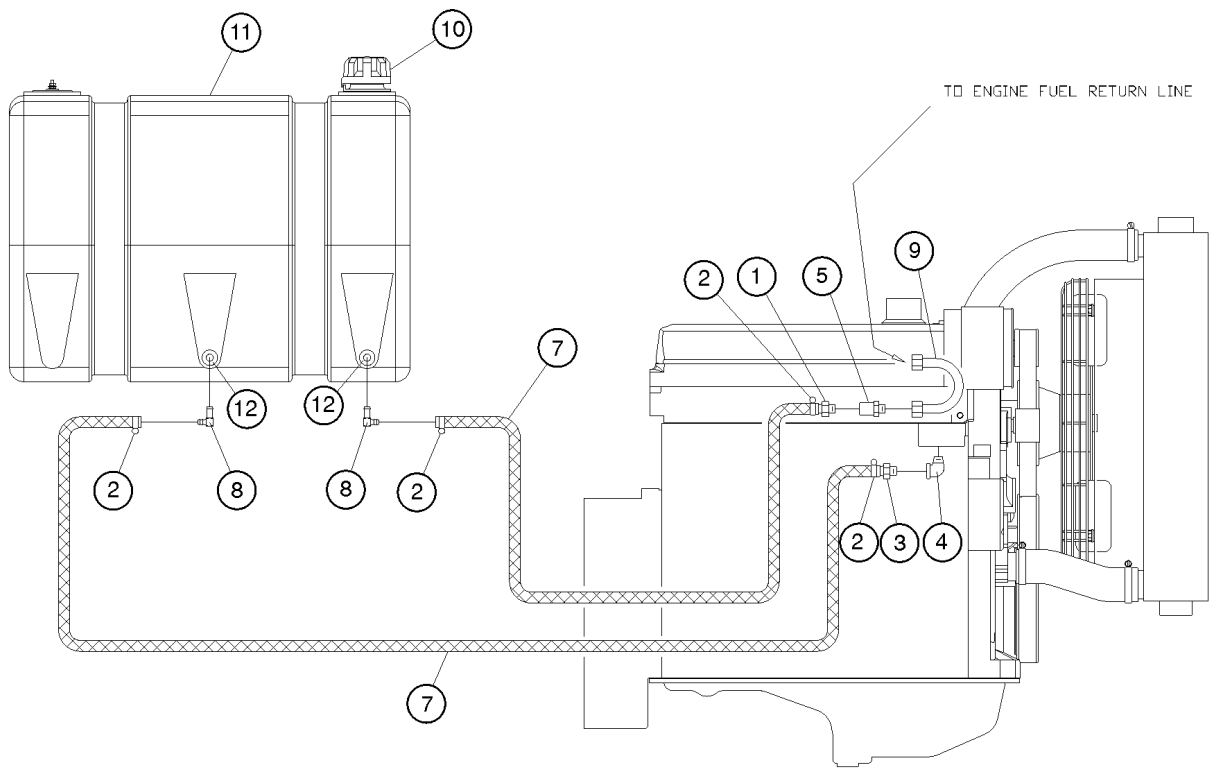




## 817.1 Circuit, Oil Cooler, Perkins, 1104C

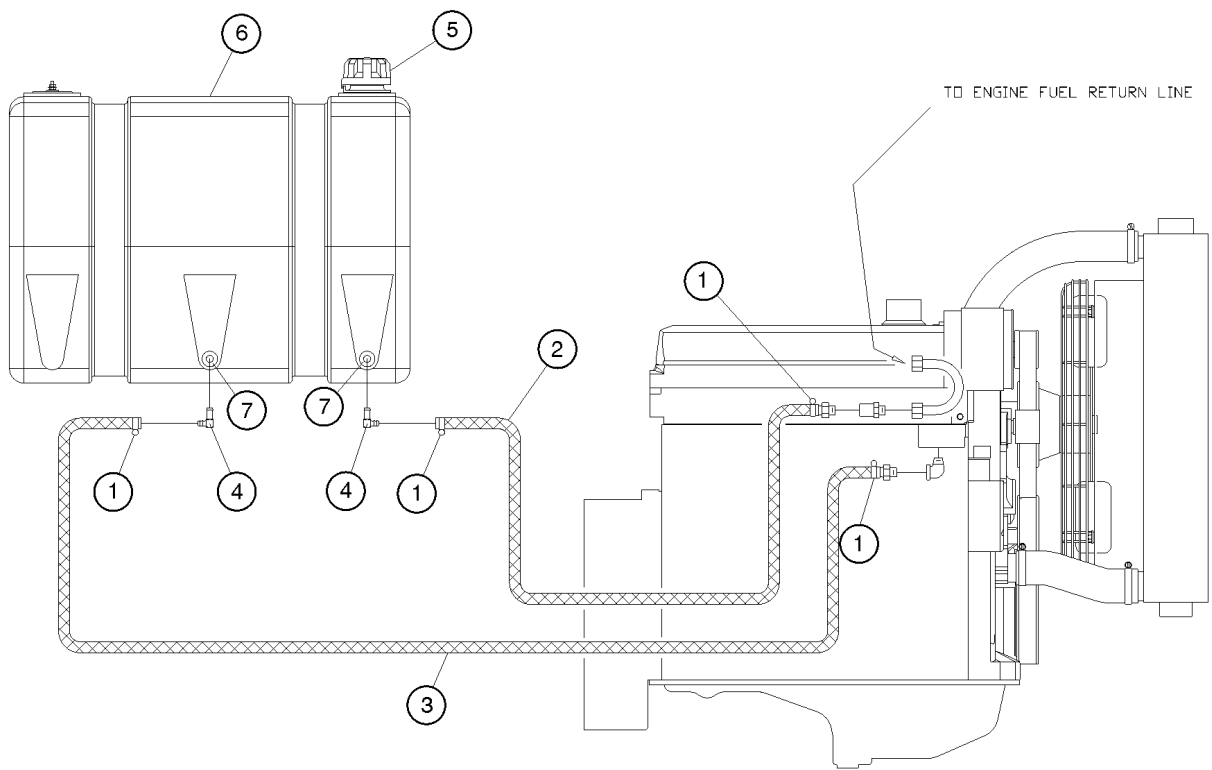
| Item | Part No.   | Description  | Qty. |
|------|------------|--|------|
| 1    | 7-900-152  | KIT, OIL COOLER.....1<br>(replaced 7-236-08)               | 1    |
| 2    | 6-7006-37  | HOSE, 12X12X18.5".....1                                    | 1    |
| 3    | 6-9611-448 | .....1<br>(need part number) (was 6-9611-448)              | 1    |
| 4    | 6-9611-512 | .....1<br>(need part number) (was 6-9611-512)              | 1    |
| 5    | 6-7045-44  | HOSE, 12X10-90X22.....1                                    | 1    |
| 6    | 6-6423-18  | HOSE END, 12-08 MALE PIPE.....1                            | 1    |
| 7    | 6-6252-04  | CLAMP, HOSE.....4  | 4    |
| 8    | 6-6450-16  | FITTING, 10 ORX10 JIC STR.....1                            | 1    |
| 9    | 6-6450-20  | FITTING, 10ORX10JIC, STRAIGHT..1                           | 1    |
| 10   | 6-6400-19  | FITTING, AIR BREATHER,<br>DEUTZ.....2<br>(barb 90°)        | 2    |
| 11   | 6-6453-15  | FITTING, 12ORX12JIC, 90.....2                              | 2    |
| 12   | 6-5605-06  | SCREW, SHC, 5/16-18X.75.....4                              | 4    |
| 13   | 57201      | WASHER, FLAT, 313,<br>HARDENED.....4                       | 4    |
| 14   | 7-173-05   | THREADED SPRING CLIP, 5/16.....4                           | 4    |
| 15   | 6-6400-18  | .....1<br>(barb 90°) (need part number) (was<br>6-6400-18) | 1    |

818.1 Circuit, Fuel, JD-4045, Tier II



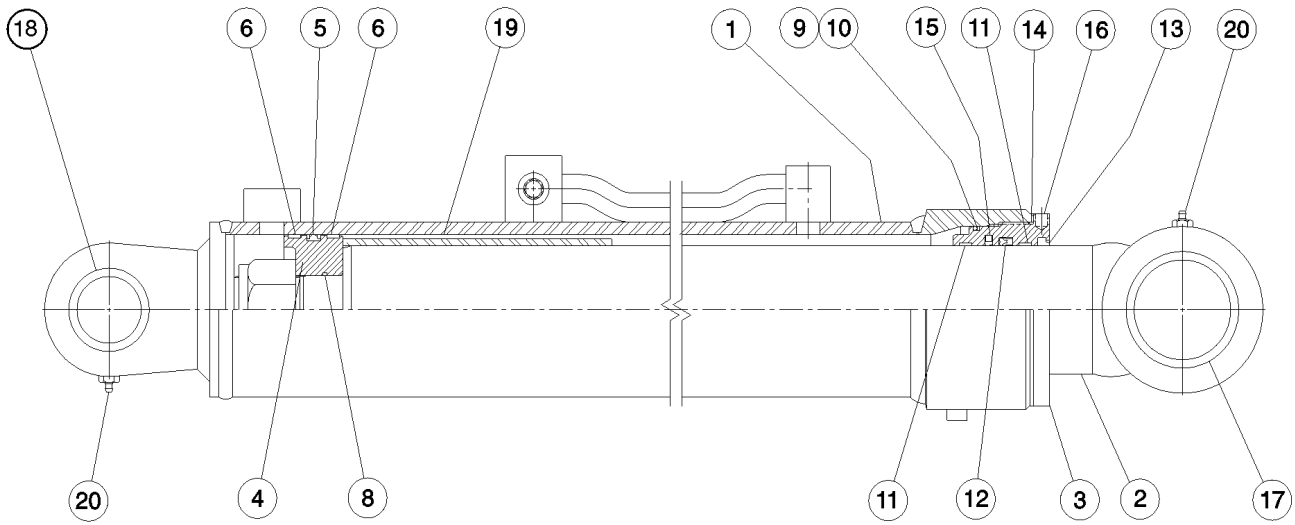
| Item | Part No.   | Description  | Qty. |
|------|------------|--|------|
| 1    | 6-6423-08  | FITTING.....   | 1    |
| 2    | 6-6252-20  | HOSE CLAMP.....  | 4    |
| 3    | 6-6423-07  | FITTING.....   | 1    |
| 4    | 6-6422-01  | FITTING.....   | 1    |
| 5    | 6-6424-05  | FITTING.....   | 1    |
| 7    | 6-9605-720 | Hose-fuel, 3/8 x 90.....                               | 1    |
| 8A   | 7-121-02   | FITTING, 90, 3/8 HOSE.....<br><i>John Deere models</i> | 2    |
| 8B   | 7-121-09   | FITTING,90DEG,3/8"ID<br><i>Deutz models</i>            |      |
| 8C   | 7-121-08   | FITTING,90DEG,1/2"ID<br><i>Deutz models</i>            |      |
| 9    | 1-1034     | TUBE / FUEL LINE.....                                  | 1    |
| 10   | 123147     | FILLER CAP, FUEL,<br>BREATHER.....                     | Ref. |
| 11   | 123114     | TANK,FUEL,30GAL.....                                   | Ref. |
| 12A  | 7-121-01   | BUSHING, RUBBER.....<br><i>John Deere models</i>       | 2    |
| 12B  | 7-121-07   | BUSHING,RUBBER,LARGE<br><i>Deutz models</i>            |      |

819.1 Circuit, Fuel, Perkins 1104C



| Item | Part No.  | Description   | Qty. |
|------|-----------|---|------|
| 1    | 6-6252-20 | HOSE CLAMP.....   | 4    |
| 2    |           | Ref. Hose Assembly.....<br><i>(need part number, was 6-9605-672,<br/>3/8 x 84 inches)</i> | 1    |
| 3    |           | Ref. Hose Assembly.....<br><i>(need part number, was 6-9605-672,<br/>3/8 x 84 inches)</i> | 1    |
| 4    | 7-121-02  | FITTING, 90, 3/8 HOSE.....  | 2    |
| 5    |           | Ref. FILLER CAP, FUEL, BREATHER<br><i>(refer to 203.1)</i>                                |      |
| 6    |           | Ref. TANK, FUEL, PLASTIC, 30 GAL<br><i>(refer to 203.1)</i>                               |      |
| 7    | 7-121-01  | BUSHING, RUBBER.....  | 2    |

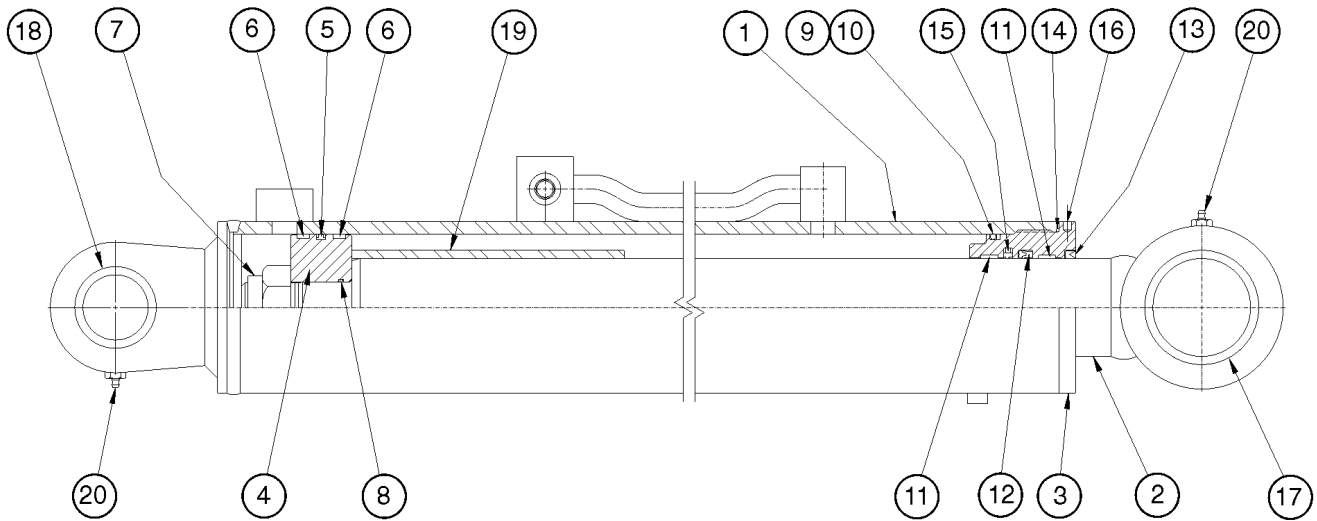
901.1 Lift Cylinder, GTH-844



## 901.1 Lift Cylinder, GTH-844

| Item | Part No.  | Description   | Qty. |
|------|-----------|---|------|
| --   | 7-900-117 | SEAL KIT / LIFT CYLINDER<br><i>(includes items 5, 6 and 8-15)</i>           |      |
| --   | T110843   | CYLINDER,BOOM LIFT, GTH844  |      |
| 1    |           | Barrel Assembly.....1<br><i>(no longer available from supplier)</i>         |      |
| 2    |           | Ref. Rod Assembly.....1<br><i>(no longer available from supplier)</i>       |      |
| 3    |           | Ref. Head.....1<br><i>(no longer available from supplier)</i>               |      |
| 4    |           | Ref. Piston.....1<br><i>(no longer available from supplier)</i>             |      |
| 5    | 228986    | KIT,844 LIFT CYL SERV.....1<br><i>(t-seal no longer available, use kit)</i> |      |
| 6    | 7-316-409 | WEAR RING / PISTON.....2  |      |
| 8    | 7-316-410 | O-RING, STUB SHAFT.....1  |      |
| 9    | 7-316-416 | O-RING, HEAD.....1  |      |
| 10   | 7-316-414 | HEAD BACK-UP RING.....1   |      |
| 11   | 7-316-413 | WEAR RING, HEAD.....2   |      |
| 12   | 7-316-412 | SEAL, HEAD ROD.....1  |      |
| 13   | 7-316-415 | WIPER SHAFT.....1   |      |
| 14   |           | Ref. O-ring.....1<br><i>(no longer available from supplier)</i>             |      |
| 15   | 7-316-411 | Buffer Seal.....1   |      |
| 16   | 7-316-247 | Self Tapping Screw.....1  |      |
| 17   | 6-4524-32 | BRONZE BUSHING.....1  |      |
| 18   | 6-4516-24 | BRONZE BUSHING.....1  |      |
| 19   |           | Ref. Stroke Limiter.....1<br><i>(no longer available from supplier)</i>     |      |
| 20   | 7-316-150 | LUBE FITTING.....2  |      |

902.1 Lift Cylinder, GTH-644 and GTH-842

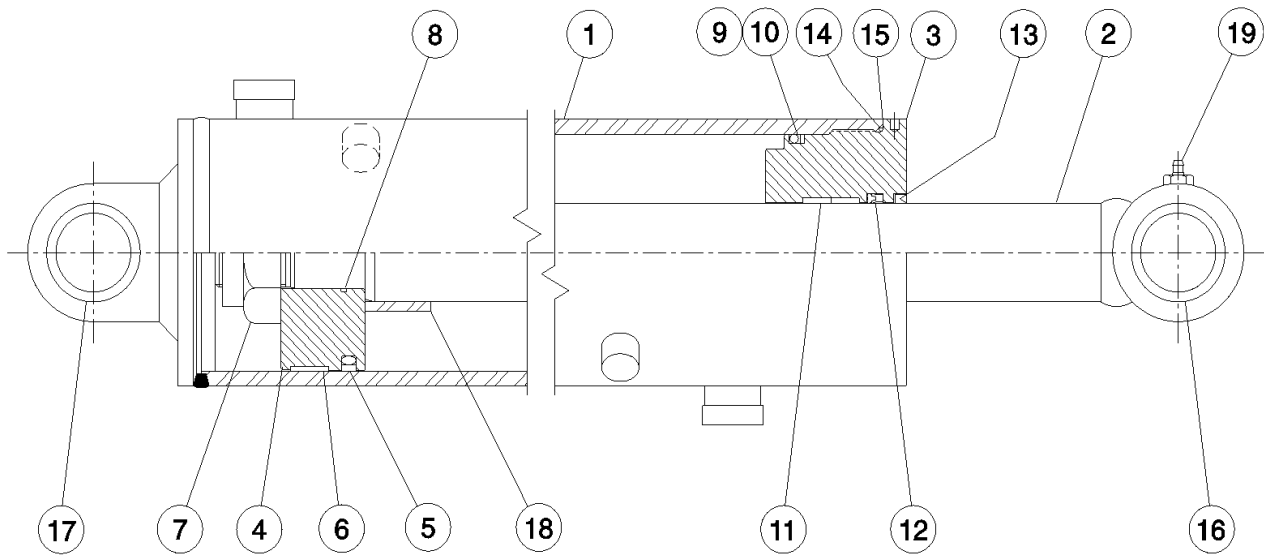




## 902.1 Lift Cylinder, GTH-644 and GTH-842

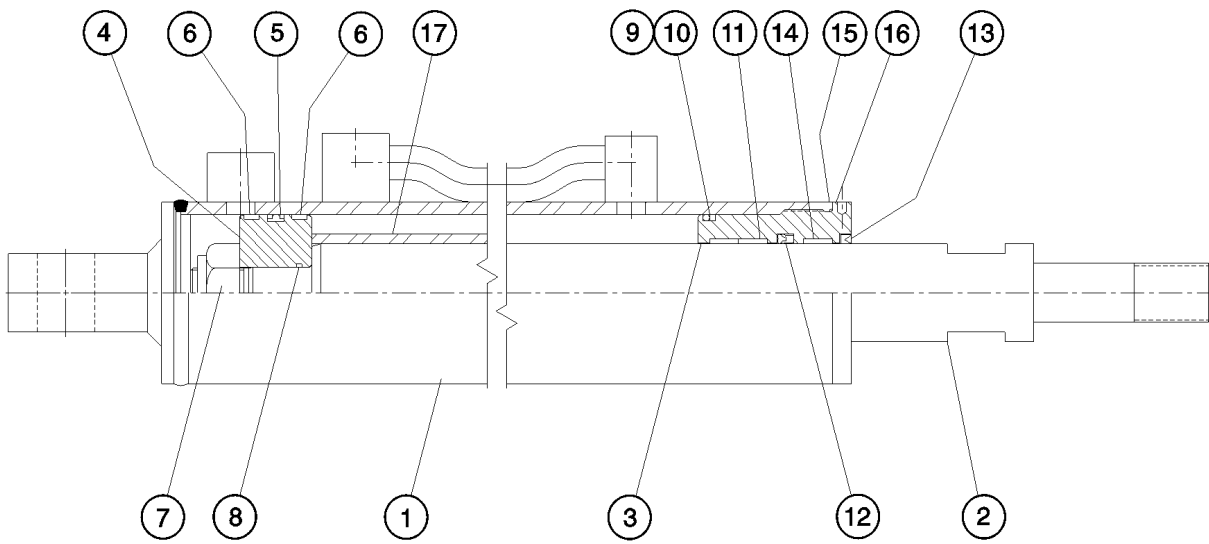
| Item | Part No.  | Description   | Qty. |
|------|-----------|---|------|
| --   | 7-900-21  | SEAL KIT / CYLINDER.....Ref.<br><i>includes items 5, 6 and 8 - 15</i>       |      |
| --   | T111121   | CYLINDER,BOOM LIFT,GTH644   |      |
| 1    |           | Ref. Barrel Assembly.....1<br><i>(no longer available, use kit, 228986)</i> |      |
| 2    | 7-316-257 | Rod Assembly.....1  |      |
| 3    |           | Ref. Head.....1<br><i>(no longer available, use kit, 228986)</i>            |      |
| 4    | 7-316-258 | Piston.....1  |      |
| 5    | 228986    | KIT,844 LIFT CYL SERV.....1<br><i>(t-seal no longer available, use kit)</i> |      |
| 6    | 7-316-234 | WEAR RING.....2   |      |
| 7    | 7-316-205 | NUT.....1   |      |
| 8    | 7-316-80  | O-RING 1 9/16 ID X 3/32.....1   |      |
| 9    | 7-316-81  | O-RING 4 1/8 ID X 3/16.....1  |      |
| 10   | 7-316-82  | BACK-UP RING.....1  |      |
| 11   | 7-316-383 | WEAR RING.....2   |      |
| 12   | 7-316-30  | ROD SEAL.....1  |      |
| 13   | 7-316-36  | ROD WIPER / 3.00 ID.....1   |      |
| 14   | 7-316-245 | O-RING.....1  |      |
| 15   |           | Ref. Buffer Seal.....1<br><i>(no longer available, use kit, 228986)</i>     |      |
| 16   | 7-316-247 | Self Tapping Screw.....1  |      |
| 17   | 6-4524-32 | BRONZE BUSHING.....1  |      |
| 18   | 6-4516-24 | BRONZE BUSHING.....1  |      |
| 19   | 7-316-260 | Stroke Limiter.....1  |      |
| 20   |           | Ref. LUBE FITTING.....2<br><i>(no longer available, use kit, 228986)</i>    |      |

903.1 Tilt Cylinder



| Item | Part No.  | Description  | Qty. |
|------|-----------|--|------|
| --   | 7-900-22  | SEAL KIT / CYLINDER***.....Ref.<br><i>(includes items 5, 6 and 8-14)</i>   |      |
| --   | T110958   | CYLINDER,TILT, GTH8XX,GTH644   |      |
| 1    |           | Ref. Barrel Assembly.....1<br><i>(no longer available from supplier)</i>   | 1    |
| 2    | 7-316-250 | CYLINDER ROD / FOR 7-316-238<br>C.....1  | 1    |
| 3    | 7-316-293 | Head.....1   | 1    |
| 4    | 7-316-249 | Piston.....1   | 1    |
| 5    | 228987    | TILT CYL SEAL KIT.....1<br><i>complete seal kit (includes piston seal<br/>and wear ring which are only available<br/>as part of this kit).</i> | 1    |
| 6    |           | Ref. WEAR RING / 6.00 OD X<br>1.00.....1   | 1    |
| 7    | 7-316-246 | NUT.....1  | 1    |
| 8    | 7-316-236 | O-RING, STUB SHAFT.....1   | 1    |
| 9    | 7-316-83  | O-RING 5 1/2 ID X 1/4.....1  | 1    |
| 10   | 7-316-84  | BACK-UP RING.....1   | 1    |
| 11   | 7-316-49  | WEAR RING / HEAD.....2   | 2    |
| 12   | 7-316-29  | ROD SEAL.....1   | 1    |
| 13   | 7-316-35  | ROD WIPER / 2.50 ID 7-209-34.....1   | 1    |
| 14   | 7-316-294 | O-ring.....1   | 1    |
| 15   | 7-316-247 | Self Tapping Screw.....1   | 1    |
| 16   | 6-4516-24 | BRONZE BUSHING.....1   | 1    |
| 17   | 6-4516-24 | BRONZE BUSHING.....1   | 1    |
| 18   | 7-316-189 | SPACER / CYLINDER.....1  | 1    |
| 19   | 7-316-150 | LUBE FITTING.....1   | 1    |

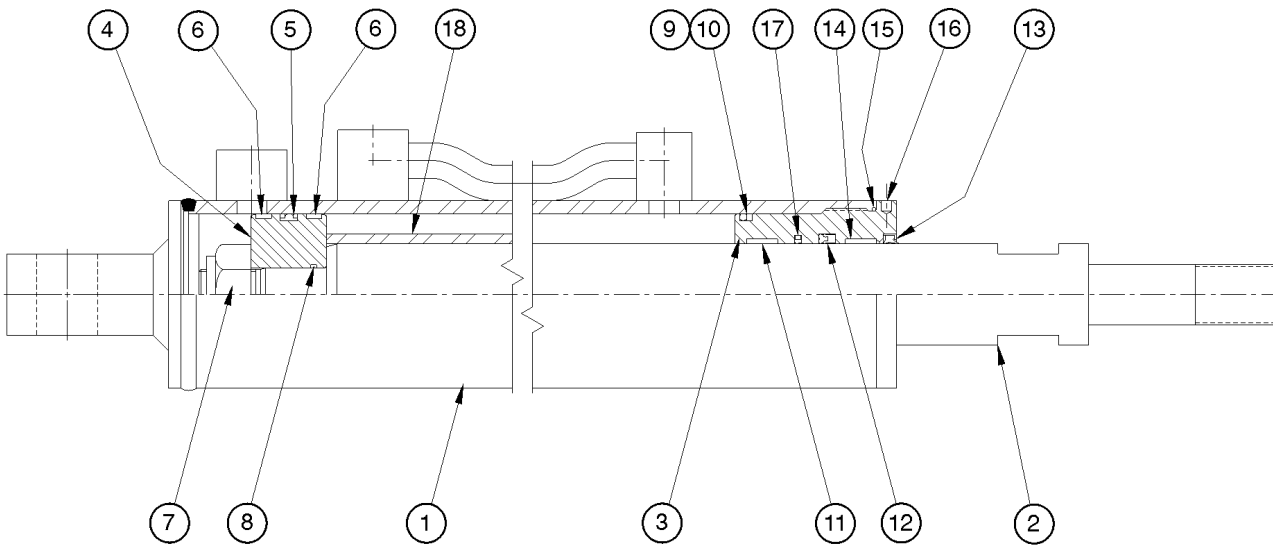
904.1 Boom Cylinder, GTH-644 and GTH-844



## 904.1 Boom Cylinder, GTH-644 and GTH-844

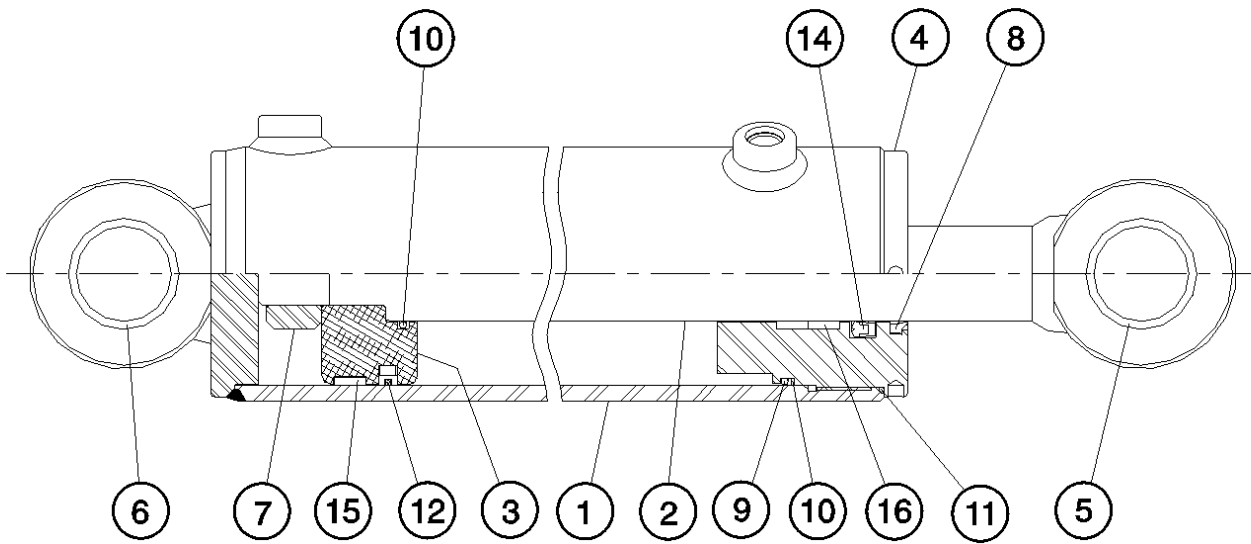
| Item | Part No.  | Description   | Qty. |
|------|-----------|---|------|
| --   | 7-900-23  | SEAL KIT / CYLINDER***.....Ref.<br>(includes items 5, 6 and 8-15) |      |
| --   | T110960   | CYLINDER,BOOM EXT,GTH844,644                                      |      |
| 1    |           | Ref. Barrel Assembly.....1<br>(no longer available from supplier) |      |
| 2    | 7-316-262 | CYLINDER ROD 2.50 X 160".....1                                    |      |
| 3    | 7-316-289 | HEAD / CYLINDER.....1   |      |
| 4    | 7-316-263 | PISTON.....1  |      |
| 5    | 7-316-53  | T-SEAL / 4.00 OD.....1  |      |
| 6    | 7-316-232 | WEAR RING.....2   |      |
| 7    | 7-316-74  | SELF-LOCKING NUT 1.25-12<br>THD.....1                             |      |
| 8    | 7-316-87  | O-RING 1 5/16 ID X 3/32.....1                                     |      |
| 9    | 7-316-85  | O-RING 3 5/8 ID X 3/16.....1                                      |      |
| 10   | 7-316-86  | BACK-UP RING.....1  |      |
| 11   | 7-316-49  | WEAR RING / HEAD.....2  |      |
| 12   | 7-316-29  | ROD SEAL.....1  |      |
| 13   | 7-316-35  | ROD WIPER / 2.50 ID 7-209-34.....1                                |      |
| 14   | 7-316-233 | WEAR RING.....1   |      |
| 15   | 7-316-264 | O-RING.....1  |      |
| 16   | 7-316-247 | Self Tapping Screw.....1  |      |
| 17   |           | Ref. Stroke Limiter.....1<br>(no longer available from supplier)  |      |

905.1 Boom Cylinder, GTH-842



| Item | Part No.  | Description  | Qty. |
|------|-----------|--|------|
| --   | 7-900-23  | SEAL KIT / CYLINDER***.....Ref.<br>(includes items 5, 6 and 8 - 15 and 17) |      |
| 1    | 7-316-288 | Barrel Assembly.....   | 1    |
| 3    | 7-316-289 | HEAD / CYLINDER.....   | 1    |
| 4    | 7-316-263 | PISTON.....  | 1    |
| 5    | 7-316-53  | T-SEAL / 4.00 OD.....  | 1    |
| 6    | 7-316-232 | WEAR RING.....   | 2    |
| 7    | 7-316-74  | SELF-LOCKING NUT 1.25-12<br>THD.....                                       | 1    |
| 8    | 7-316-87  | O-RING 1 5/16 ID X 3/32.....   | 1    |
| 9    | 7-316-85  | O-RING 3 5/8 ID X 3/16.....  | 1    |
| 10   | 7-316-86  | BACK-UP RING.....  | 1    |
| 11   | 7-316-49  | WEAR RING / HEAD.....  | 1    |
| 12   | 7-316-29  | ROD SEAL.....  | 1    |
| 13   | 7-316-345 | WIPER / DOUBLE LIP.....  | 1    |
| 14   | 7-316-233 | WEAR RING.....   | 1    |
| 15   | 7-316-264 | O-RING.....  | 1    |
| 16   | 7-316-247 | Self Tapping Screw.....  | 1    |
| 17   | 7-316-370 | Buffer Seal.....   | 1    |
| 18   | 7-316-265 | Stroke Limiter.....<br>(not shown)   | 1    |

906.1 Sway-rear Lock up Cylinder



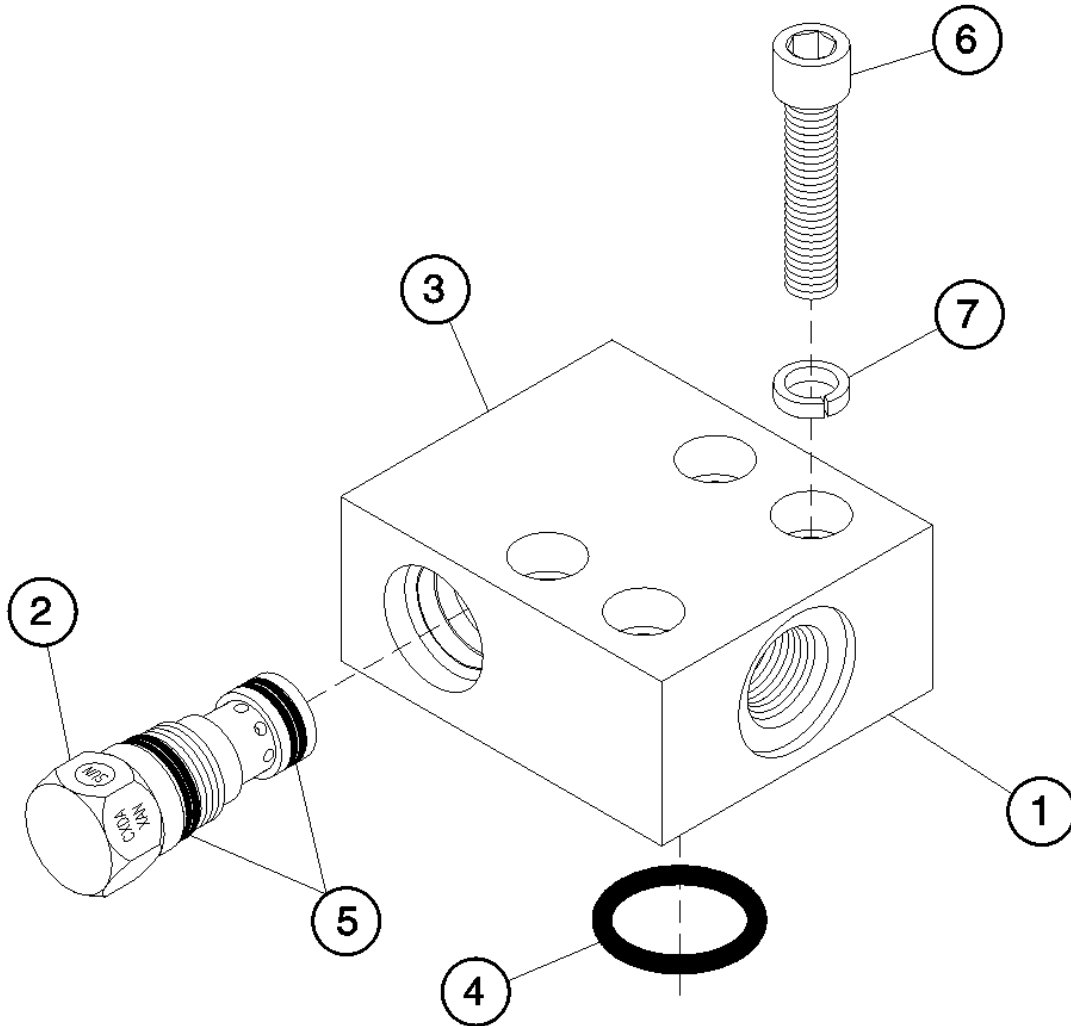


906.1 Sway-rear Lock up Cylinder

| Item | Part No.  | Description   | Qty. | Item | Part No. | Description   | Qty. |
|------|-----------|---|------|------|----------|---|------|
| A    | 130809    | CYLINDER,SWAY/REAR LOCK-UP***<br><i>(replaced 7-182-34) (must replace in pairs on the same axle. Do not mix 7-182-34 and 130809 on the same axle)</i> |      | 9    |          | Ref. Head O-ring.....1<br><i>(part not sold separately, order seal kit 7-900-180)</i>       |      |
| --   | 130917    | KIT,SEAL,SWAY CYL.,O.E.MFG.<br><i>for 130809 cylinder</i>   |      | 10   |          | Ref. Head Back-up Ring.....1<br><i>(part not sold separately, order seal kit 7-900-180)</i> |      |
| --   | 7-900-180 | SEAL KIT / FOR 7-182-01 SWAY C<br><i>for 7-182-34 cylinder; includes items 8-16</i>   |      | 11   |          | Ref. Head O-ring.....1<br><i>(part not sold separately, order seal kit 7-900-180)</i>       |      |
| --   |           | Ref. Piston O-ring.....1<br><i>(part not sold separately, order seal kit 7-900-180)</i>   |      | 12   |          | Ref. Piston Seal.....1<br><i>(part not sold separately, order seal kit 7-900-180)</i>       |      |
| 1A   | 7-182-35  | Tube Assembly.....1<br><i>for 7-182-34 cylinder ( Part no longer available)</i>   |      | 14   |          | Ref. Rod Seal.....1<br><i>(part not sold separately, order seal kit 7-900-180)</i>          |      |
| 1B   | 130921    | ASSY,TUBE,SWAY CYL.,O.E.MFG.<br><i>for 130809 cylinder</i>  |      | 15   |          | Ref. Piston Wear Ring.....1<br><i>(part not sold separately, order seal kit 7-900-180)</i>  |      |
| 2A   | 7-182-36  | ROD ASSEMBLY / CYLINDER.....1<br><i>for 7-182-34 cylinder ( Part no longer available)</i>   |      | 16   |          | Ref. Head Wear Ring.....2<br><i>(part not sold separately, order seal kit 7-900-180)</i>    |      |
| 2B   | 130920    | ASSY,ROD,SWAY CYL.,O.E.MFG.<br><i>for 130809 cylinder</i>   |      |      |          |   |      |
| 3A   | 7-182-08  | Piston.....1<br><i>for 7-182-34 cylinder ( Part no longer available)</i>  |      |      |          |   |      |
| 3B   | 130919    | PISTON,SWAY CYL.,O.E.MFG.<br><i>for 130809 cylinder</i>   |      |      |          |   |      |
| 4A   | 7-182-09  | Head.....1<br><i>for 7-182-34 cylinder ( Part no longer available)</i>  |      |      |          |   |      |
| 4B   | 130922    | GLAND,SWAY CYLINDER,O.E.MFG.<br><i>for 130809 cylinder</i>  |      |      |          |   |      |
| 5    | 7-182-37  | BUSHING/ROD END.....1<br><i>for 7-182-34 cylinder ( Part no longer available)</i>   |      |      |          |   |      |
| 6    | 7-182-38  | BUSHING/BASE END.....2<br><i>for 7-182-34 cylinder ( Part no longer available)</i>  |      |      |          |   |      |
| 7A   | 7-182-13  | Locknut.....1<br><i>for 7-182-34 cylinder ( Part no longer available)</i>   |      |      |          |   |      |
| 7B   | 130918    | NUT,LOCK,DIN 936,GR 8.8<br><i>for 130809 cylinder</i>   |      |      |          |   |      |
| 8    |           | Ref. WIPER,ROD.....1<br><i>(part not sold separately, order seal kit 7-900-180)</i>   |      |      |          |   |      |



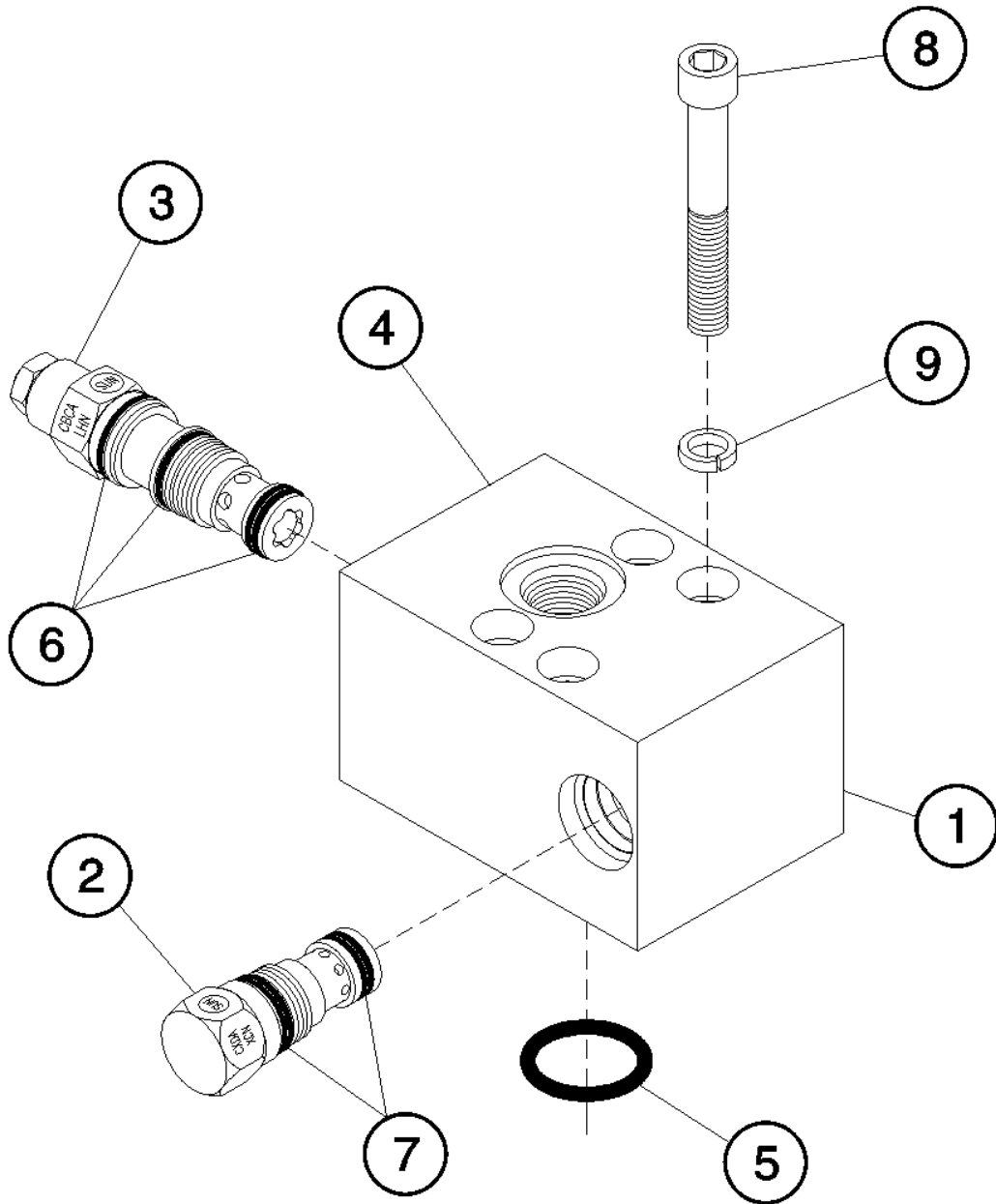
907.1 Motion Valve, Base Tilt Cylinder



907.1 Motion Valve, Base Tilt Cylinder

| Item | Part No.  | Description                    | Qty. |
|------|-----------|--------------------------------|------|
| 1    | 7-234-02  | VALVE,MOTION.....              | 1    |
| 2    | 7-234-16  | CARTRIDGE / CHECK.....         | 1    |
| 3    | 7-234-24  | BODY.....                      | 1    |
| 4    | 7-209-61  | O-RING.....                    | 1    |
| 5    | 7-234-31  | SEAL KIT.....                  | 1    |
| 6    | 6-5606-14 | SCREW,SHC,3/8-16 X 1.75.....   | 4    |
| 7    | 6-6214-06 | WASHER,LOCK,HI COLLAR,.375...4 | 4    |

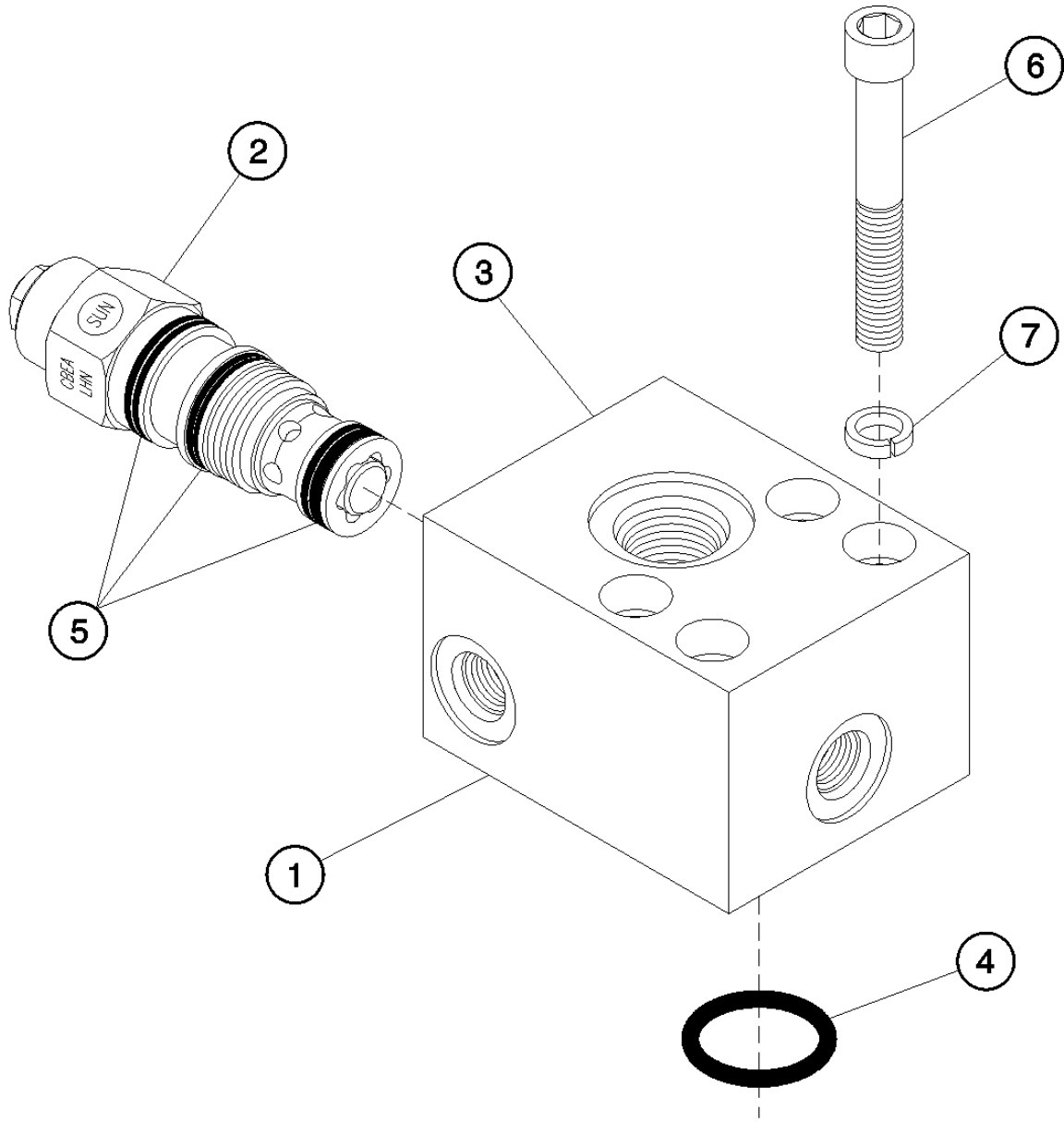
908.1 Motion Valve, Head Tilt Cylinder



908.1 Motion Valve, Head Tilt Cylinder

| Item | Part No.  | Description                     | Qty. |
|------|-----------|---------------------------------|------|
| 1    | 7-234-01  | VALVE,MOTION.....               | 1    |
| 2    | 7-234-80  | CARTRIDGE / CHECK.....          | 1    |
| 3    | 7-234-19  | CARTRIDGE / C-BALANCE*** .....  | 1    |
| 4    | 7-234-25  | BODY.....                       | 1    |
| 5    | 7-209-61  | O-RING.....                     | 1    |
| 6    | 7-234-29  | SEAL KIT.....                   | 1    |
| 7    | 7-234-31  | SEAL KIT.....                   | 1    |
| 8    | 6-5606-22 | SCREW,SHC,3/8-16 X 2.75.....    | 4    |
| 9    | 6-6214-06 | WASHER,LOCK,HI COLLAR,..375...4 | 4    |

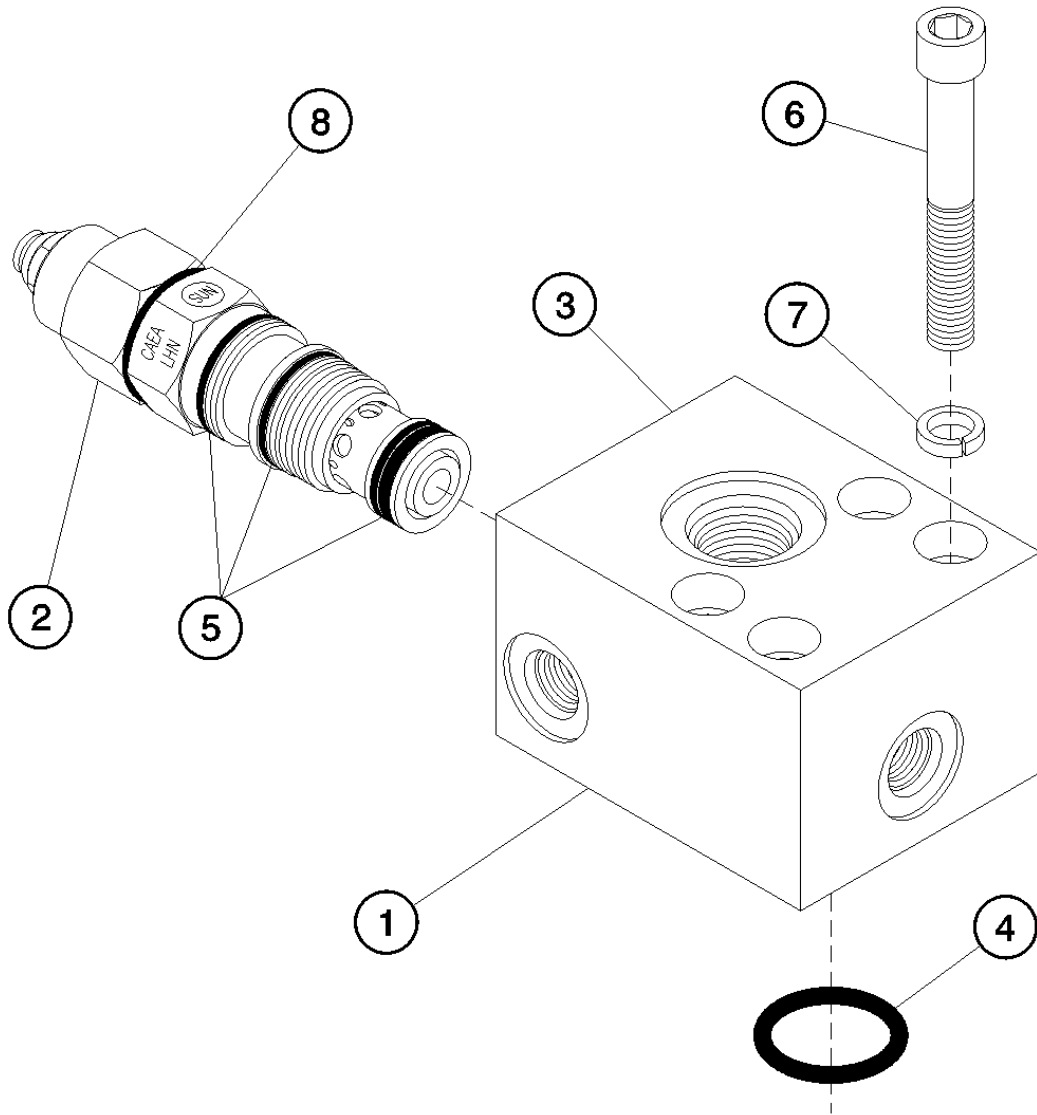
909.1 Motion Valve, Boom Cylinder



909.1 Motion Valve, Boom Cylinder

| Item | Part No.  | Description                    | Qty. |
|------|-----------|--------------------------------|------|
| 1    | 7-234-03  | VALVE,MOTION.....              | 1    |
| 2    | 7-234-22  | CARTRIDGE / C-BALANCE.....     | 1    |
| 3    | 7-234-03  | VALVE,MOTION.....              | 1    |
| 4    | 7-209-61  | O-RING.....                    | 1    |
| 5    | 7-234-30  | SEAL KIT.....                  | 1    |
| 6    | 6-5606-22 | SCREW,SHC,3/8-16 X 2.75.....   | 4    |
| 7    | 6-6214-06 | WASHER,LOCK,HI COLLAR,.375...4 | 4    |

910.1 Motion Valve, Base Lift Cylinder

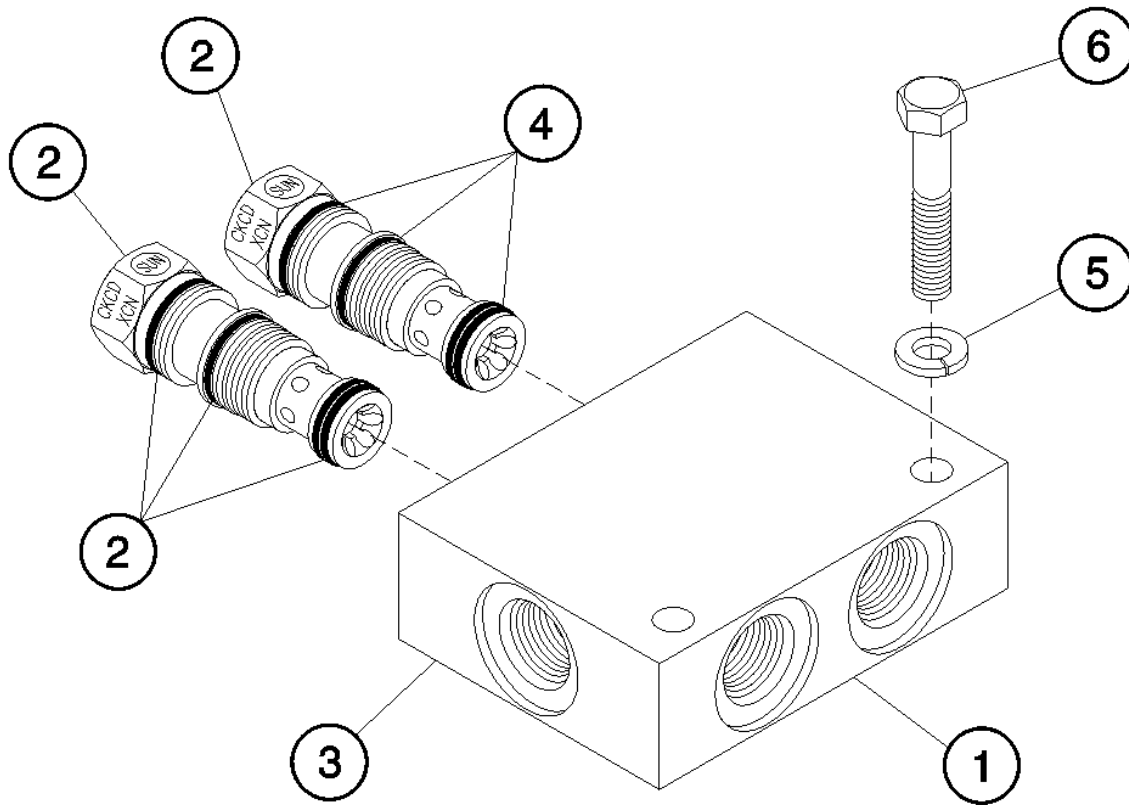




910.1 Motion Valve, Base Lift Cylinder

| Item | Part No.  | Description                        | Qty. |
|------|-----------|------------------------------------|------|
| 1    | 7-234-54  | VALVE, MOTION.....                 | 1    |
| 2    | 7-234-53  | CARTRIDGE /<br>COUNTERBALANCE..... | 1    |
| 3    | 7-234-03  | VALVE,MOTION.....                  | 1    |
| 4    | 7-209-61  | O-RING.....                        | 1    |
| 5    | 7-234-30  | SEAL KIT.....                      | 1    |
| 6    | 6-5606-22 | SCREW,SHC,3/8-16 X 2.75.....       | 4    |
| 7    | 6-6214-06 | WASHER,LOCK,HI COLLAR,.375...4     | 4    |
| 8    | 7-234-60  | O-RING / -021.....                 | 1    |

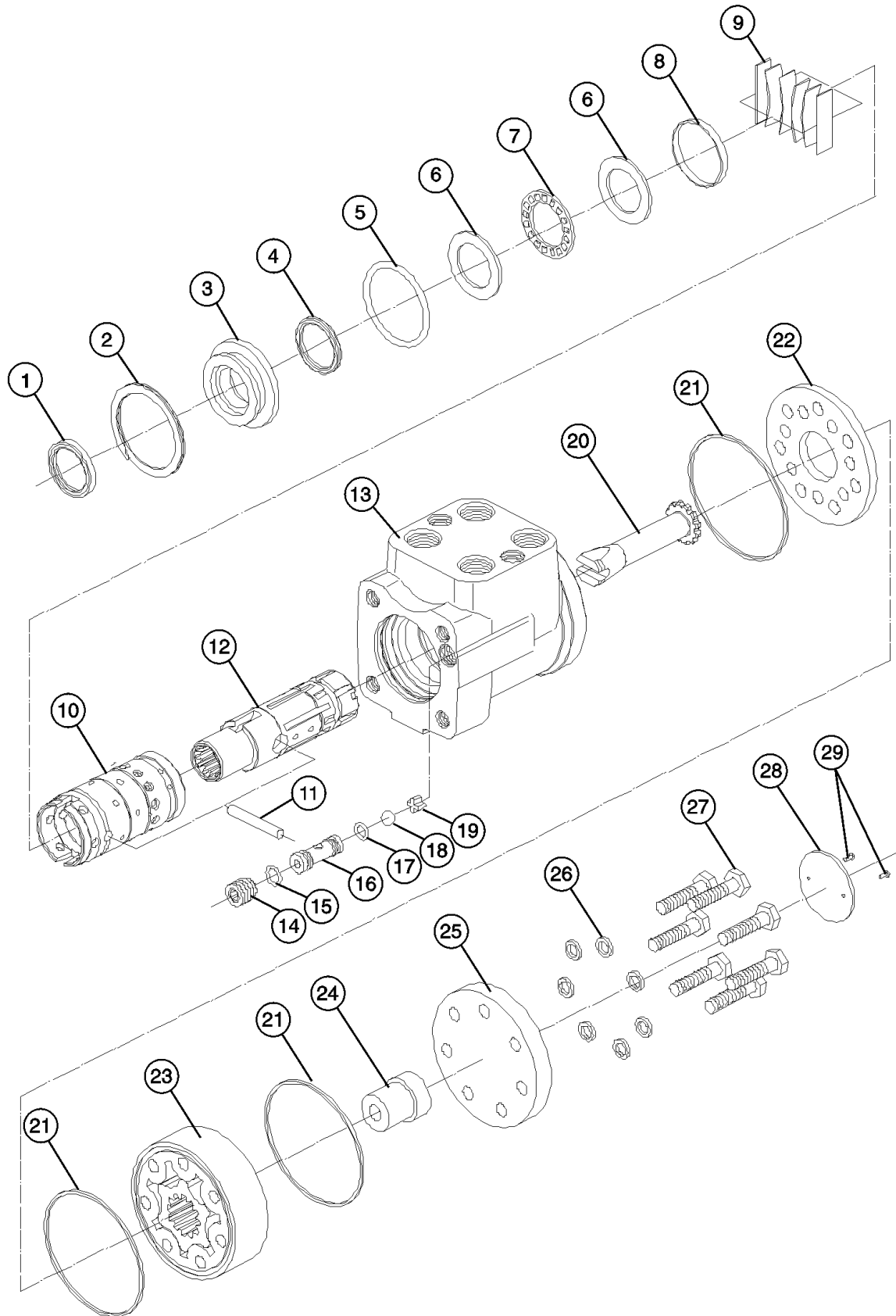
911.1 Dual Pilot Check Valve



911.1 Dual Pilot Check Valve

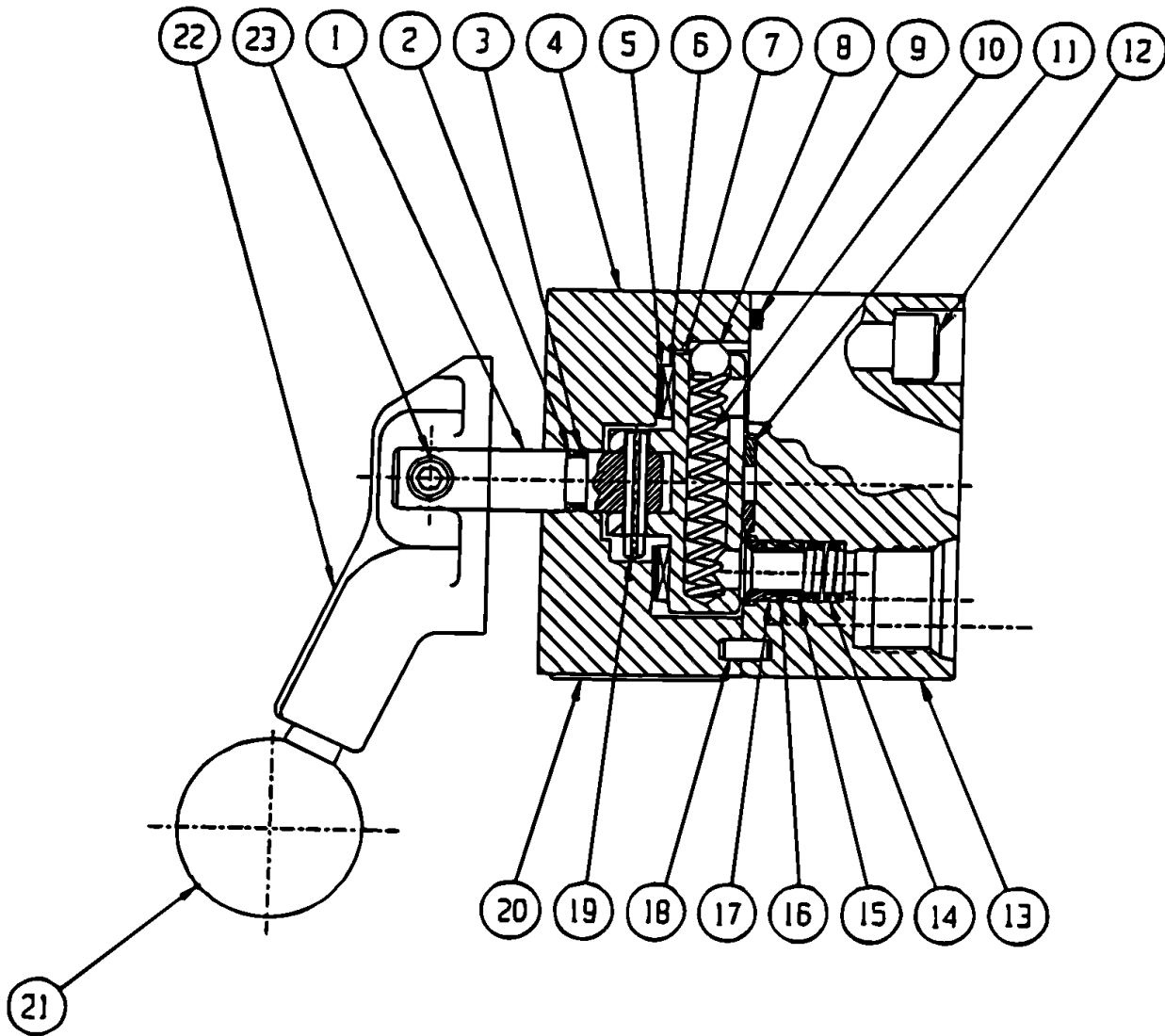
| Item | Part No.  | Description                    | Qty. |
|------|-----------|--------------------------------|------|
| 1    | 7-234-04  | VALVE,DUAL CHECK.....          | 1    |
| 2    | 7-234-18  | CARTRIDGE / PILOT CHECK.....   | 2    |
| 3    | 7-234-21  | BODY.....                      | 1    |
| 4    | 7-234-29  | SEAL KIT.....                  | 2    |
| 5    | 6-5606-22 | SCREW,SHC,3/8-16 X 2.75.....   | 2    |
| 6    | 6-6214-06 | WASHER,LOCK,HI COLLAR,.375...2 |      |

912.1 Orbital Assembly



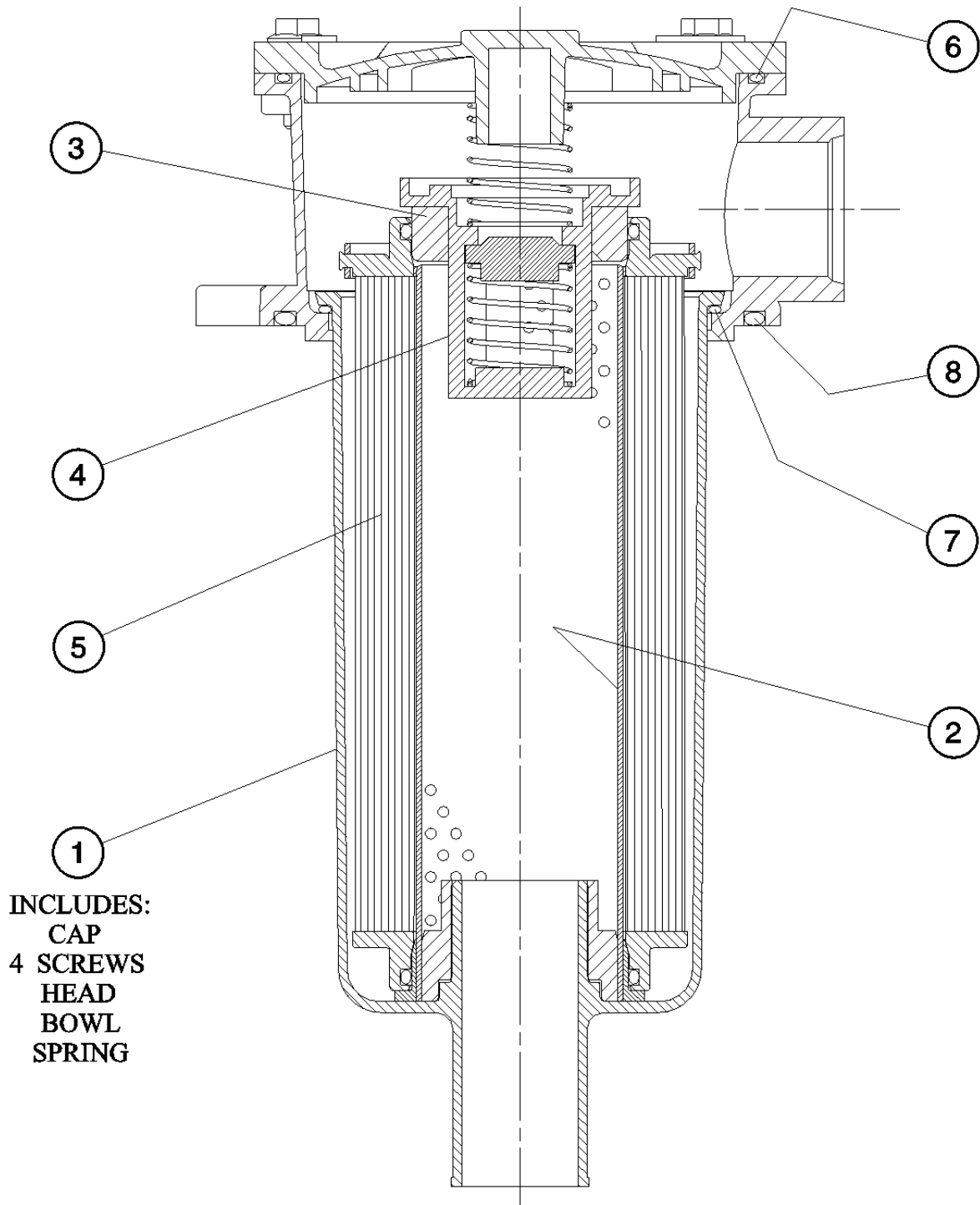
| Item | Part No. | Description   | Qty. |
|------|----------|---|------|
| --   | 123261   | STEERING UNIT 250CC TEFLON***   |      |
| --   | 7-147-56 | SEAL KIT / FOR -48 ORB.<br><i>(for 123261) includes items 1, 4, 5, 15,<br/>17, and 21</i> |      |
| 1    | 7-147-49 | Dust Seal.....  | 1    |
| 2    | 7-147-16 | Retaining Ring.....   | 1    |
| 3    | 7-147-10 | Front Cover.....  | 1    |
| 4    | 7-147-15 | X-ring.....   | 1    |
| 5    | 7-147-09 | O-ring.....   | 1    |
| 6    | 7-147-17 | Bearing Race 1.....   | 1    |
| 6    | 7-147-19 | Bearing Race 2.....   | 1    |
| 7    | 7-147-18 | Thrust Bearing.....   | 1    |
| 8    | 7-147-32 | Ring.....   | 1    |
| 9    | 7-147-12 | Spring, Flat.....   | 2    |
| 9    | 7-147-13 | Spring.....   | 4    |
| 10   |          | Ref. Control Sleeve.....<br><i>component no longer available</i>                          | 1    |
| 11   | 7-147-31 | Pin.....  | 1    |
| 12   |          | Ref. Control Spool.....<br><i>not available separately</i>                                | 1    |
| 13   | 7-147-52 | Housing.....  | 1    |
| 14   | 7-147-33 | Plug.....   | 1    |
| 15   | 7-147-34 | O-ring.....   | 1    |
| 16   | 7-147-35 | Valve Seat.....   | 1    |
| 17   | 7-147-36 | O-ring.....   | 1    |
| 18   | 7-147-37 | Ball.....   | 1    |
| 19   | 7-147-38 | Cross Support.....  | 1    |
| 20   | 7-147-29 | Drive.....  | 1    |
| 21   | 7-147-53 | Cant Seal.....  | 3    |
| 22   | 7-147-23 | Distributor Plate.....  | 1    |
| 23   | 7-147-28 | Gear Wheel Set.....   | 1    |
| 24   | 7-147-26 | Spacer.....   | 1    |
| 25   | 7-147-27 | End Cover.....  | 1    |
| 26   | 7-147-25 | Washer.....   | 7    |
| 27   | 7-147-24 | Screw.....  | 7    |
| 28   | 7-147-54 | Name Plate.....   | 1    |
| 29   | 7-147-55 | Rivet.....  | 1    |

913.1 Selector Valve, Steering



| Item | Part No. | Description              | Qty. |
|------|----------|--------------------------|------|
| 1    |          | Ref. Shaft.....          | 1    |
| 2    | 7-359-06 | BACK-UP RING.....        | 1    |
| 3    | 7-359-07 | O-RING.....              | 1    |
| 4    |          | Ref. Housing.....        | 1    |
| 5    |          | Ref. Thrust Washer.....  | 1    |
| 6    | 7-359-08 | BEARING.....             | 1    |
| 7    | 7-359-09 | ROTOR.....               | 1    |
| 8    | 7-359-10 | BALL.....                | 1    |
| 9    | 7-359-11 | O-RING.....              | 1    |
| 10   | 7-359-12 | SPRING.....              | 1    |
| 11   |          | Ref. Spacer Washer.....  | 1    |
| 12   |          | Ref. Body Screw.....     | 4    |
| 13   |          | Ref. Body.....           | 1    |
| 14   | 7-359-13 | SPRING.....              | 4    |
| 15   | 7-359-14 | PRESSURE SEAL.....       | 4    |
| 16   | 7-359-07 | O-RING.....              | 4    |
| 17   | 7-359-06 | BACK-UP RING.....        | 8    |
| 18   |          | Ref. Locating Pin.....   | 1    |
| 19   |          | Ref. Rotor Roll Pin..... | 1    |
| 20   |          | Ref. Nameplate.....      | 1    |
| 21   | 7-359-04 | KNOB.....                | 1    |
| 22   | 7-359-03 | 5/8 LONG HANDLE.....     | 1    |
| 23   |          | Ref. Set Screw.....      | 2    |

914.1 Return Filter Assembly

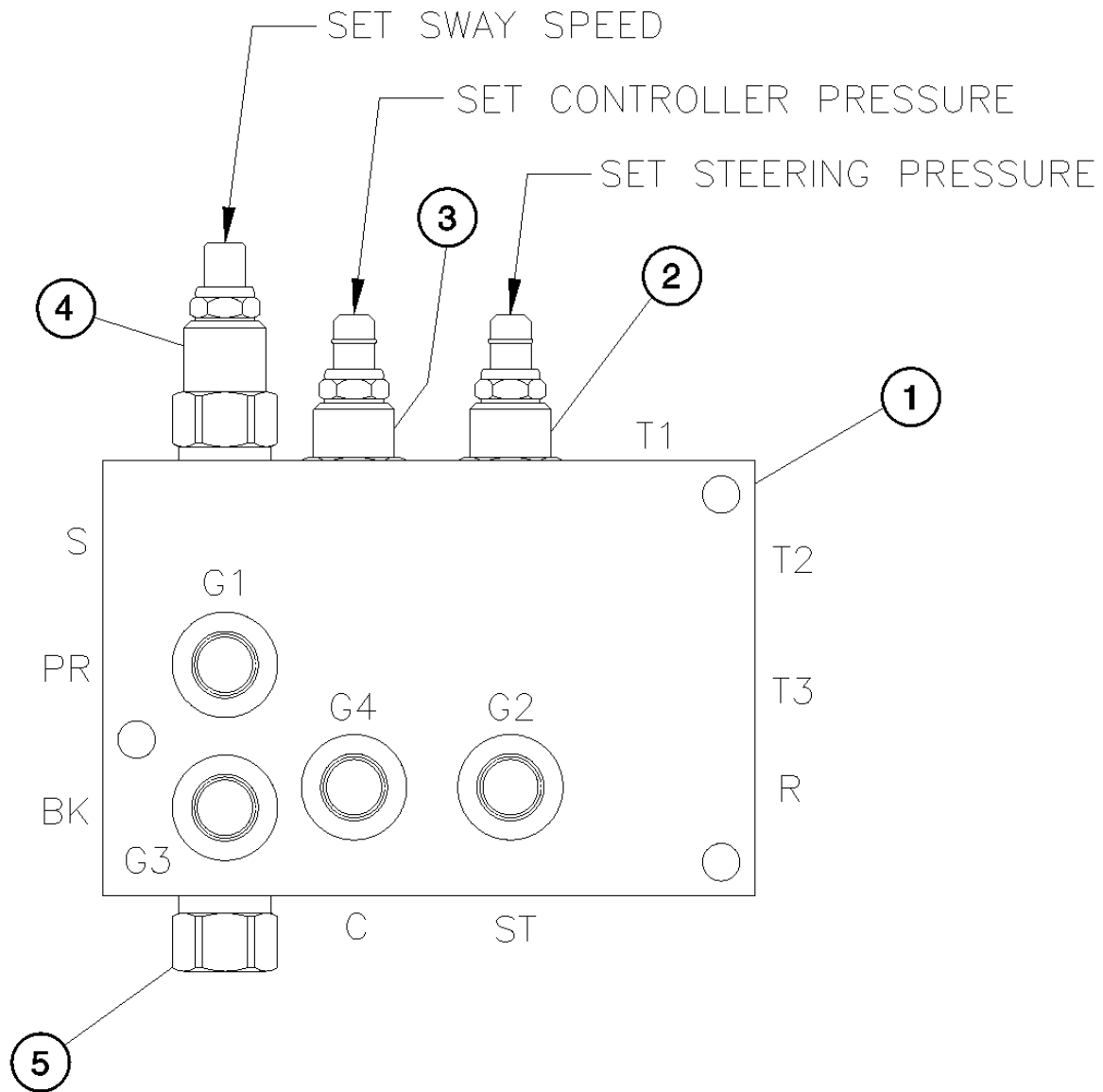




914.1 Return Filter Assembly

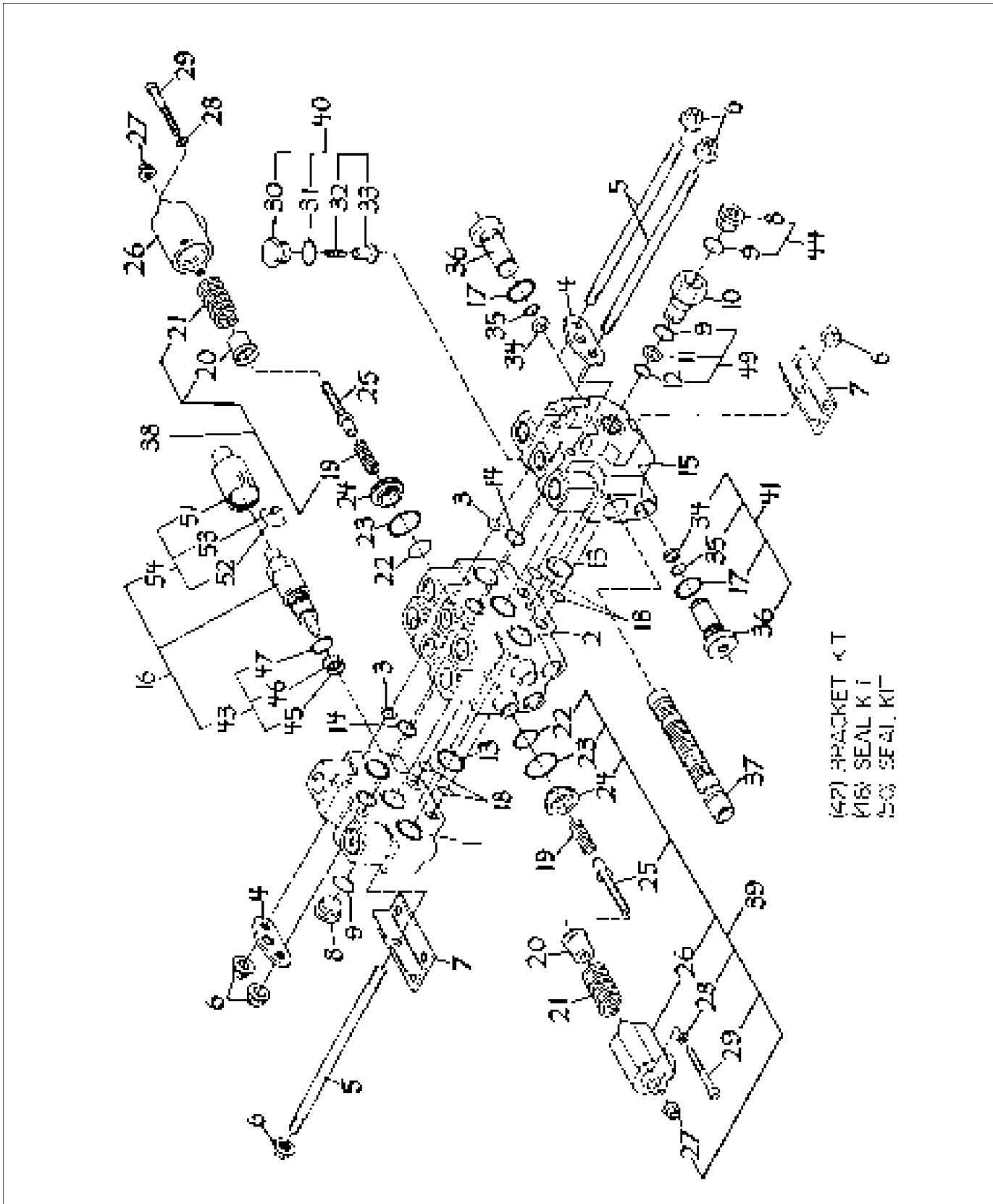
| Item | Part No. | Description                     | Qty. |
|------|----------|---------------------------------|------|
| 1    | 117044   | RETURN FILTER ASSEMBLY.....     | 1    |
| --   | 117567   | GAUGE,RETURN FILTER             |      |
| 2    | 7-118-05 | CORE ASSY.....                  | 1    |
| 3    | 7-118-06 | Upper Nipple.....               | 1    |
| 4    | 7-118-07 | By-pass Valve for 7-118-01..... | 1    |
| 5    | 117043   | ELEMENT,RETURN FILTER*** .....  | 1    |
| 6    | 7-118-03 | O-RING.....                     | 1    |
| 7    | 7-118-08 | O-RING.....                     | 1    |
| 8    | 7-118-09 | O-RING.....                     | 1    |

915.1 Control Block Assembly



| Item | Part No. | Description                                | Qty. |
|------|----------|--|------|
| --   | 7-234-94 | CONTROL BLOCK<br><i>includes items 1-5</i> |      |
| 1    | 7-234-97 | Body.....                                  | 1    |
| 2    | 7-234-28 | CARTRIDGE / RELIEVING.....                 | 1    |
| 3    | 7-234-13 | CARTRIDGE / REDUCING.....                  | 1    |
| 4    | 7-234-37 | CARTRIDGE / NEEDLE.....                    | 1    |
| 5    | 7-234-80 | CARTRIDGE / CHECK.....                     | 1    |

916.1 Main Valve Assembly



916.1 Main Valve Assembly

| Item | Part No.  | Description  | Qty. | Item | Part No.  | Description  | Qty. |
|------|-----------|--|------|------|-----------|--|------|
| --   | 7-200-80  | VALVE, DIRECTIONAL<br><i>Main Valve Assembly, Complete, to be replaced by 226570</i>   |      | 22   |           | Ref. O-RING.....6<br><i>not available separately. refer to item 39</i>                               |      |
| 1    | 7-200-117 | Inlet Section with Spool.....1   |      | 23   |           | Ref. O-RING.....6<br><i>not available separately. refer to item 39</i>                               |      |
| 2    | 226570    | VALVE,DIRECTIONAL,F130.....1<br><i>(was 7-200-118, no longer available, must replace entire valve with 226570)</i>                                 |      | 24   |           | Ref. WASHER.....6<br><i>not available separately. refer to item 39</i>                               |      |
| 3    |           | Ref. SPACER.....6<br><i>(was 7-200-50, no longer available, must replace entire valve with 226570)</i>   |      | 25   | 227784    | ADJUSTING SCREW KIT.....6<br><i>(kit, replaces 7-200-104)</i>  |      |
| 4    | 7-200-91  | Lifting Lug.....2  |      | 26   |           | Ref. CAP.....6<br><i>not available separately. refer to item 39</i>                                  |      |
| 5    | 7-200-44  | TIE ROD.....3  |      | 27   |           | Ref. NUT.....6<br><i>not available separately. refer to item 39</i>                                  |      |
| 6    |           | Ref. FLANGE NUT.....6<br><i>(was 7-200-45, no longer available, must replace entire valve with 226570)</i>   |      | 28   |           | Ref. WASHER.....12<br><i>not available separately. refer to item 39</i>                              |      |
| 7    | 7-200-46  | BRACKET.....2  |      | 29   |           | Ref. SCREW.....12<br><i>not available separately. refer to item 39</i>                               |      |
| 8    |           | Ref. PLUG.....2<br><i>(was 7-200-39, no longer available, must replace entire valve with 226570)</i>   |      | 30   | 7-200-64  | PLUG.....3   |      |
| 9    | 7-200-37  | O-RING.....3   |      | 31   | 7-200-106 | O-RING.....3   |      |
| 10   | 7-200-38  | ADAPTOR.....1<br><i>(no longer available, must replace entire valve with 226570, however, Genie may still have short-term inventory available)</i> |      | 32   | 7-200-66  | SPRING.....3   |      |
| 11   | 7-200-93  | BACK-UP RING.....1   |      | 33   | 7-200-107 | Poppet.....3   |      |
| 12   | 7-200-94  | O-RING.....1   |      | 34   | 7-200-68  | BACK-UP RING.....6   |      |
| 13   | 7-200-95  | O-RING.....6   |      | 35   | 7-200-69  | O-RING.....6   |      |
| 14   | 7-200-96  | O-RING.....2   |      | 36   |           | Ref. PLUG.....6<br><i>(was 7-200-70, no longer available, must replace entire valve with 226570)</i> |      |
| 15   |           | Ref. Outlet Section with Spool.....1<br><i>(was 7-200-119, no longer available, must replace entire valve with 226570)</i>                         |      | 37   |           | Ref. Spool.....3   |      |
| 16   | 7-200-120 | MAIN RELIEF ASSEMBLY.....1   |      | 38   | 7-200-108 | SPRING KIT.....Ref.  |      |
| 17   | 7-200-52  | O-RING.....6   |      | 39   | 7-200-109 | CAP ASSEMBLY.....Ref.<br><i>(includes items 19-29)</i>   |      |
| 18   |           | Ref. O-RING.....4<br><i>(no longer available, must replace entire valve with 226570)</i>   |      | 40   | 7-200-76  | CHECK VALVE ASSEMBLY.....Ref.  |      |
| 19   |           | Ref. Spring.....6<br><i>not available separately. refer to item 39</i>   |      | 41   | 7-200-77  | Y-PLUG ASSEMBLY.....Ref.   |      |
| 20   |           | Ref. Centering Spring Casing.....6<br><i>not available separately. refer to item 39</i>  |      | 42   |           | Ref. Bracket Kit.....Ref.<br><i>includes items 4, 6 and 7; contact factory</i>                       |      |
| 21   |           | Ref. Centering Spring.....6<br><i>not available separately. refer to item 39</i>   |      | 43   | 7-200-111 | KIT.....Ref.   |      |
|      |           |  |      | 44   | 7-200-78  | PLUG ASSEMBLY / U-TYPE.....Ref.  |      |

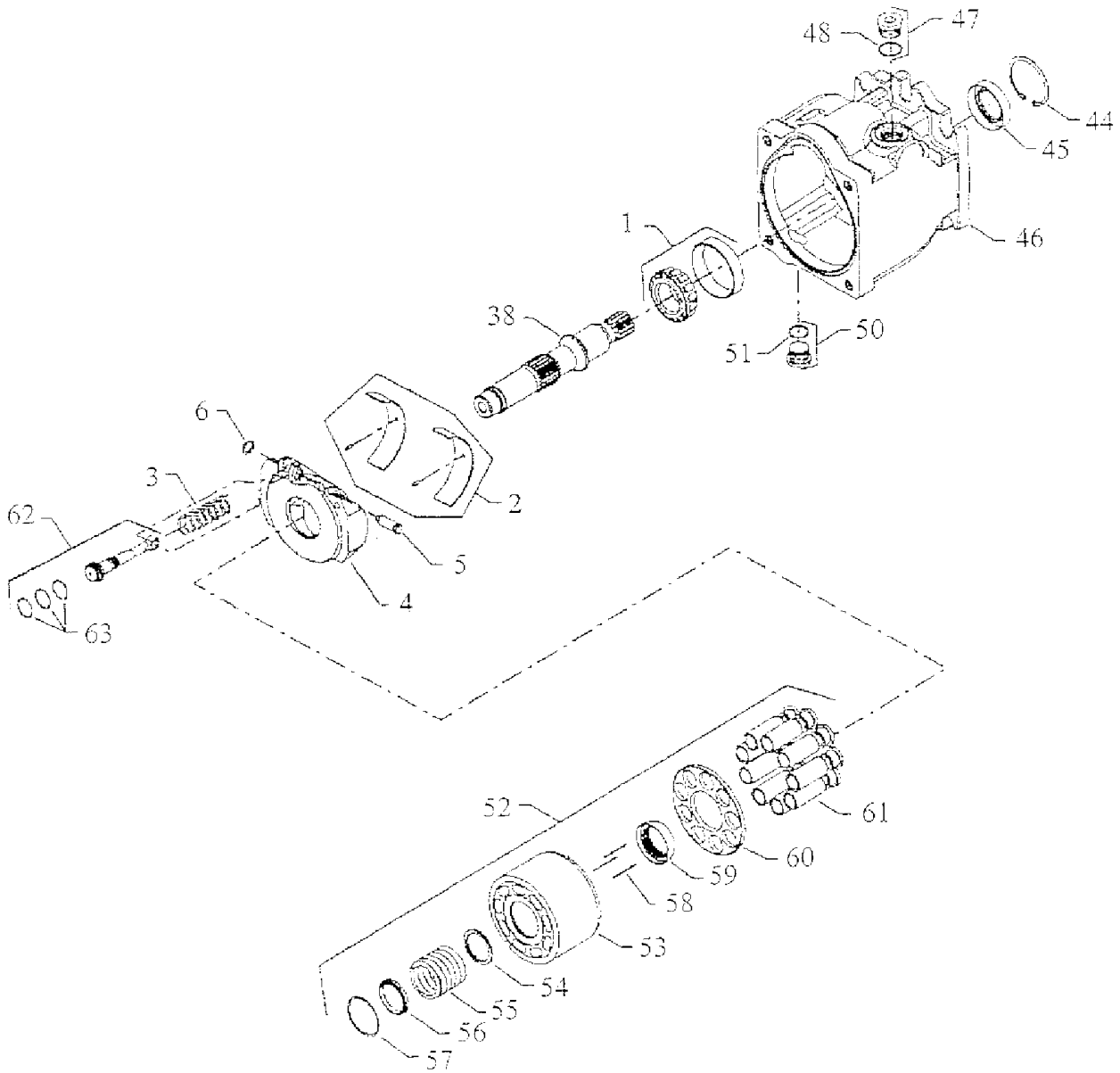


916.1 Main Valve Assembly  
(continued)

| Item | Part No.  | Description  | Qty. |
|------|-----------|--|------|
| 45   |           | Ref. O RING.....1<br><i>(no longer available, must replace entire valve with 226570, however, Genie may still have short-term inventory available)</i> |      |
| 46   | 7-200-113 | BACK UP RING.....1   |      |
| 47   | 7-200-52  | O-RING.....1   |      |
| 48   | 7-200-114 | KIT.....Ref.   |      |
| 49   | 7-200-115 | KIT.....Ref.   |      |
| 50   |           | Ref. KIT / INTERSECTION<br>SEALS.....Ref.<br><i>(was 7-200-116, no longer available, must replace entire valve with 226570)</i>                        |      |
| 51   | 7-200-121 | Sealing Cap.....1  |      |
| 52   | 7-200-122 | Sealing Wire.....1   |      |
| 53   | 7-200-123 | Sealing Lead.....1   |      |
| 54   | 7-200-124 | SEALING CAP KIT.....Ref.   |      |

*This Page Intentionally Left Blank*

917.1 Hydraulic Pump Assembly, View 1



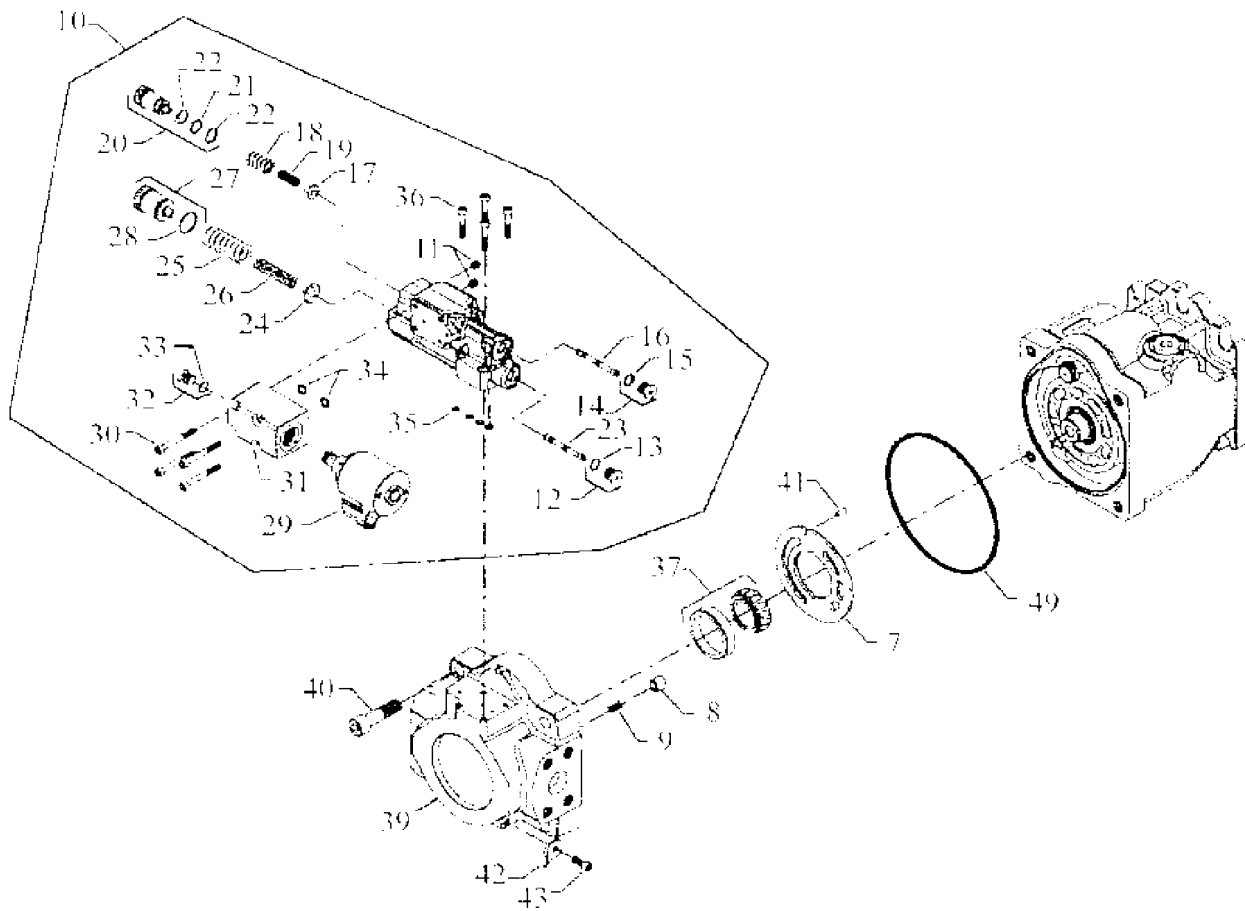


917.1 Hydraulic Pump Assembly, View 1

| Item | Part No. | Description   | Qty. | Item | Part No. | Description   | Qty. |
|------|----------|---|------|------|----------|---|------|
| --   | 7-112-63 | SEAL KIT / PUMP OVERHAUL<br><i>includes items 45, 48, 49, 51 and 63</i> |      | 61   | 7-112-60 | Piston Assembly.....9<br><i>(no longer available)</i> |      |
| 1    | 7-112-07 | Front Bearing Kit.....1<br><i>(no longer available)</i>                 |      | 62   | 7-112-61 | Servo Piston Assembly.....1                           |      |
| 2    | 7-112-08 | Swashplate Bearing Kit.....1<br><i>(no longer available)</i>            |      | 63   | 7-112-62 | Piston Ring.....3                                     |      |
| 3    | 7-112-09 | Bias Spring.....1   |      |      |          |   |      |
| 4    | 7-112-10 | Swashplate Assembly.....1<br><i>(no longer available)</i>               |      |      |          |   |      |
| 5    | 7-112-11 | Retainer Shaft.....1<br><i>(no longer available)</i>                    |      |      |          |   |      |
| 6    | 7-112-12 | Retaining Ring.....1<br><i>(no longer available)</i>                    |      |      |          |   |      |
| 38   | 7-112-39 | Spline Shaft, 14 Tooth.....1<br><i>(no longer available)</i>            |      |      |          |   |      |
| 44   | 7-112-45 | Retaining Ring.....1  |      |      |          |   |      |
| 45   | 7-112-46 | LIP SEAL.....1  |      |      |          |   |      |
| 46   | 7-112-47 | Housing.....1<br><i>(no longer available)</i>                           |      |      |          |   |      |
| 47   | 7-112-48 | Plug Assembly.....1<br><i>(no longer available)</i>                     |      |      |          |   |      |
| 48   | 7-112-49 | O-ring.....1<br><i>(no longer available)</i>                            |      |      |          |   |      |
| 50   | 7-112-48 | Plug Assembly.....1<br><i>(no longer available)</i>                     |      |      |          |   |      |
| 51   | 7-112-49 | O-ring.....1<br><i>(no longer available)</i>                            |      |      |          |   |      |
| 52   | 7-112-51 | Cylinder Block Kit.....1<br><i>(no longer available)</i>                |      |      |          |   |      |
| 53   | 7-112-52 | Cylinder Block.....1<br><i>(no longer available)</i>                    |      |      |          |   |      |
| 54   | 7-112-53 | Spring Seat.....1<br><i>(no longer available)</i>                       |      |      |          |   |      |
| 55   | 7-112-54 | Spring.....1<br><i>(no longer available)</i>                            |      |      |          |   |      |
| 56   | 7-112-55 | Spring Seat.....1<br><i>(no longer available)</i>                       |      |      |          |   |      |
| 57   | 7-112-56 | Retaining Ring.....1<br><i>(no longer available)</i>                    |      |      |          |   |      |
| 58   | 7-112-57 | Hold Down Pin.....3<br><i>(no longer available)</i>                     |      |      |          |   |      |
| 59   | 7-112-58 | Slipper Retainer Guide.....1<br><i>(no longer available)</i>            |      |      |          |   |      |
| 60   | 7-112-59 | Slipper Retainer.....1<br><i>(no longer available)</i>                  |      |      |          |   |      |



918.1 Hydraulic Pump Assembly, View 2

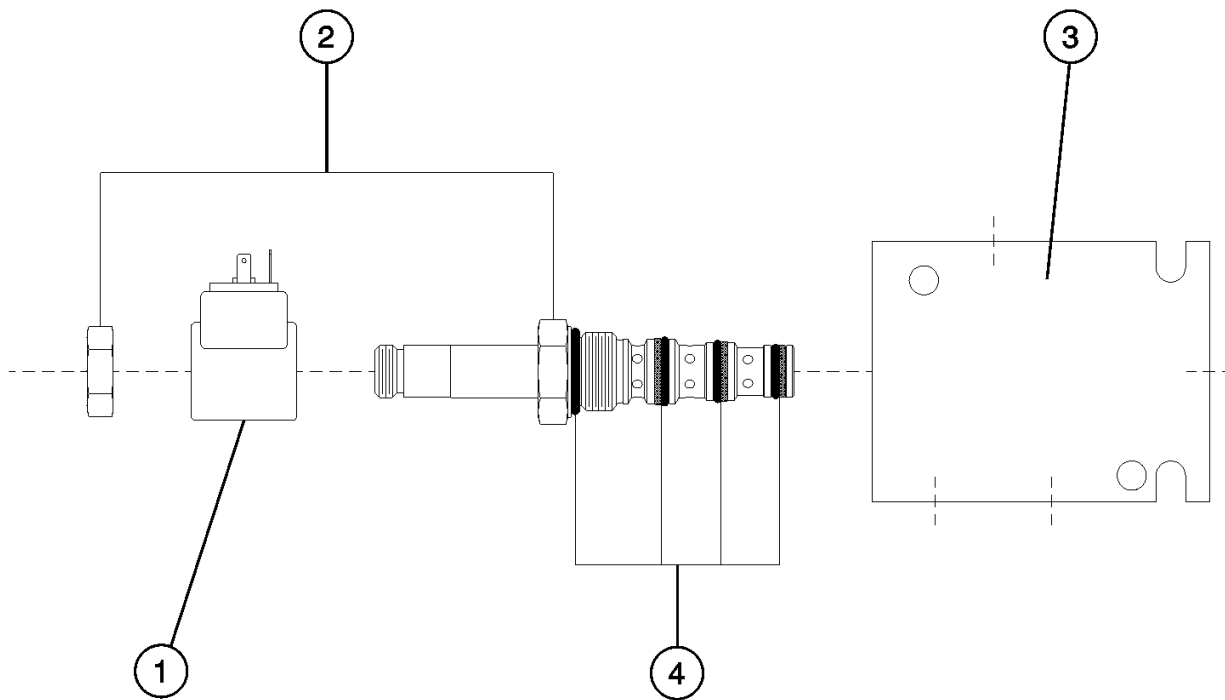


918.1 Hydraulic Pump Assembly, View 2

| Item | Part No. | Description  | Qty. | Item | Part No. | Description                  | Qty. |
|------|----------|--|------|------|----------|------------------------------|------|
| --   | 7-112-63 | SEAL KIT / PUMP OVERHAUL<br><i>includes items 13, 15, 21, 22, 28 and 33-35</i> |      | 39   | 7-112-40 | RADIAL END CAP.....          | 1    |
| 7    | 7-112-13 | Valve Plate, CW.....   | 1    | 40   | 7-112-41 | Screw.....                   | 4    |
| 8    | 7-112-14 | Check Valve Poppet.....  | 1    |      |          | <i>(no longer available)</i> |      |
| 9    | 7-112-15 | Spring.....  | 1    | 41   | 7-112-42 | Slotted Pin.....             | 1    |
| 10   | 7-112-16 | CONTROL KIT.....   | 1    |      |          | <i>(no longer available)</i> |      |
| 11   | 7-112-17 | Screw.....   | 2    | 42   | 7-112-43 | Lifting Bracket.....         | 1    |
| 12   | 7-112-18 | PLUG ASSEMBLY.....   | 1    |      |          | <i>(no longer available)</i> |      |
| 13   | 7-112-19 | O-RING.....  | 1    | 43   | 7-112-44 | Screw.....                   | 1    |
| 14   | 7-112-18 | PLUG ASSEMBLY.....   | 1    |      |          | <i>(no longer available)</i> |      |
| 15   | 7-112-19 | O-RING.....  | 1    | 49   | 7-112-50 | End Cap Seal.....            | 1    |
| 16   | 7-112-20 | REMOTE PC SPOOL.....   | 1    |      |          | <i>(no longer available)</i> |      |
| 17   | 7-112-21 | SPRING GUIDE, LEFT SIDE.....   | 1    |      |          |                              |      |
| 18   | 7-112-22 | OUTER SPRING, LEFT SIDE.....   | 1    |      |          |                              |      |
| 19   | 7-112-23 | INNER SPRING, LEFT SIDE.....   | 1    |      |          |                              |      |
| 20   | 130351   | PLUG-LS ADJUSTING.....   | 1    |      |          |                              |      |
| 21   | 7-112-25 | O-RING.....  | 1    |      |          |                              |      |
| 22   | 7-112-26 | BACK-UP RING.....  | 2    |      |          |                              |      |
|      |          | <i>(no longer available)</i>   |      |      |          |                              |      |
| 23   | 7-112-27 | Control Spool.....   | 1    |      |          |                              |      |
|      |          | <i>(no longer available)</i>   |      |      |          |                              |      |
| 24   | 7-112-28 | Spring Guide, PC.....  | 1    |      |          |                              |      |
|      |          | <i>(no longer available)</i>   |      |      |          |                              |      |
| 25   | 7-112-29 | OUTER SPRING/PC.....   | 1    |      |          |                              |      |
| 26   | 7-112-30 | INNER SPRING/PC.....   | 1    |      |          |                              |      |
| 27   | 7-112-31 | PLUG / PC / w/O-RING.....  | 1    |      |          |                              |      |
| 28   | 7-112-32 | O-RING.....  | 1    |      |          |                              |      |
| 29   | 7-112-33 | SOLENOID VALVE ASSEMBLY.....   | 1    |      |          |                              |      |
| 30   | 7-112-34 | Screw.....   | 4    |      |          |                              |      |
|      |          | <i>(no longer available)</i>   |      |      |          |                              |      |
| 31   | 7-112-35 | Solenoid Valve Adapter.....  | 1    |      |          |                              |      |
| 32   | 7-112-18 | PLUG ASSEMBLY.....   | 1    |      |          |                              |      |
| 33   | 7-112-19 | O-RING.....  | 1    |      |          |                              |      |
| 34   | 7-112-36 | RING SEAL.....   | 2    |      |          |                              |      |
| 35   | 7-112-36 | RING SEAL.....   | 4    |      |          |                              |      |
| 36   | 7-112-37 | Screw.....   | 4    |      |          |                              |      |
|      |          | <i>(no longer available)</i>   |      |      |          |                              |      |
| 37   | 7-112-38 | Rear Bearing Kit.....  | 1    |      |          |                              |      |
|      |          | <i>(no longer available)</i>   |      |      |          |                              |      |



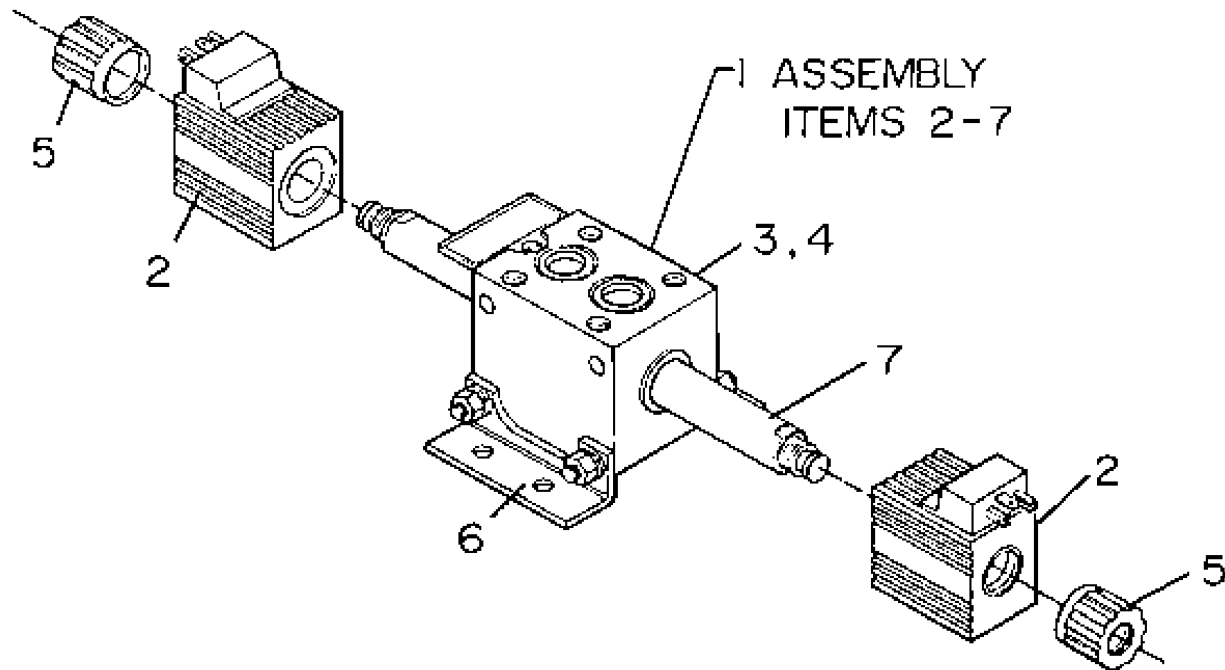
919.1 Electric Valve, 4 -Way



919.1 Electric Valve, 4 -Way

| Item | Part No. | Description                                      | Qty. |
|------|----------|--|------|
| --   | 7-367-09 | VALVE,ELECTRIC 4WAY<br><i>includes items 1-2</i> |      |
| 1    | 7-367-05 | COIL.....  | 1    |
| 2    | 7-367-10 | CARTRIDGE.....                                   | 1    |
| 3    | 7-367-11 | VALVE BODY.....<br><i>(manifold)</i>             | 1    |
| 4    | 7-367-19 | SEAL KIT.....                                    | 1    |

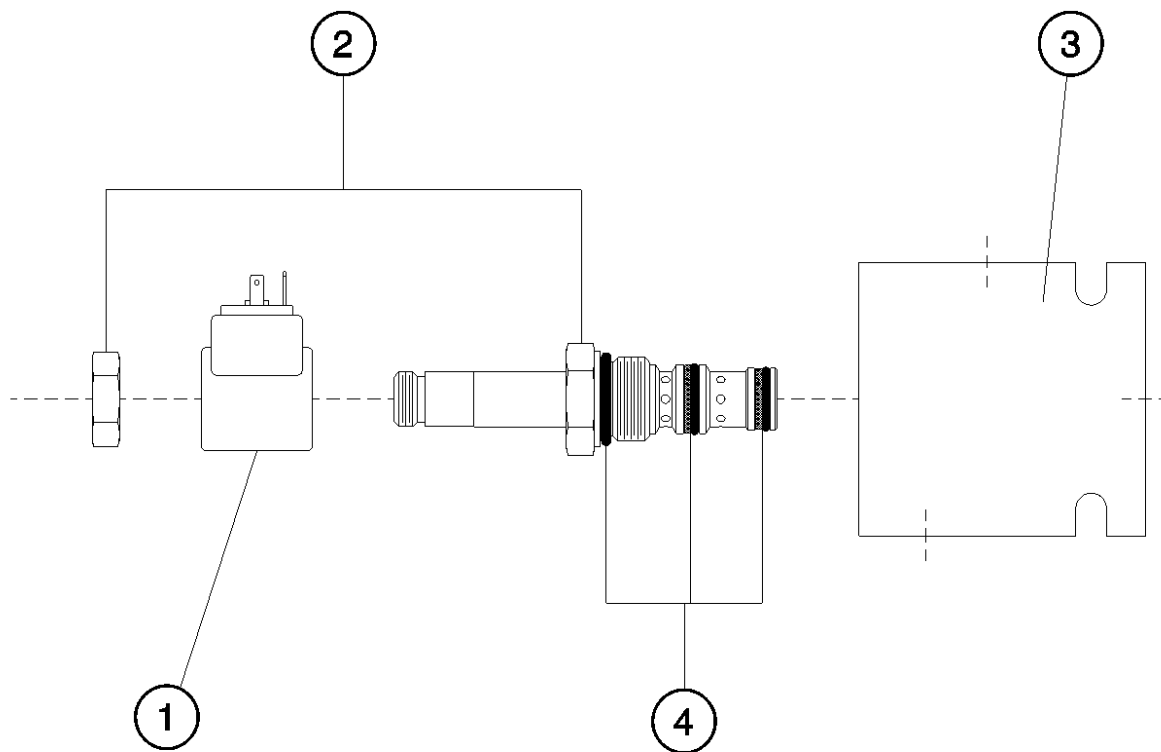
920.1 Electric Valve Assembly, 4 -Way



## 920.1 Electric Valve Assembly, 4 -Way

| Item | Part No. | Description  | Qty. |
|------|----------|--|------|
| 1    | 7-244-31 | VALVE,ELECTRIC 4WAY.....1<br><i>(includes items 2-7)</i>                     |      |
| 2    |          | Ref. COIL DIN CONNECTOR.....2<br><i>(no longer available)</i>                |      |
| 3    |          | Ref. SPOOL for 7-244-11 &<br>7-244-31.....1<br><i>(no longer available)</i>  |      |
| 4    |          | Ref. VALVE BLOCK for 7-244-11 &<br>-31.....1<br><i>(no longer available)</i> |      |
| 5    |          | Ref. CAP.....2<br><i>(no longer available)</i>                               |      |
| 6    |          | Ref. BRACKET ASSEMBLY.....1<br><i>(no longer available)</i>                  |      |
| 7    |          | Ref. TUBE / SPOOL ACTUATING....1<br><i>(no longer available)</i>             |      |

921.1 Valve, Boom Activated Rear-Lock

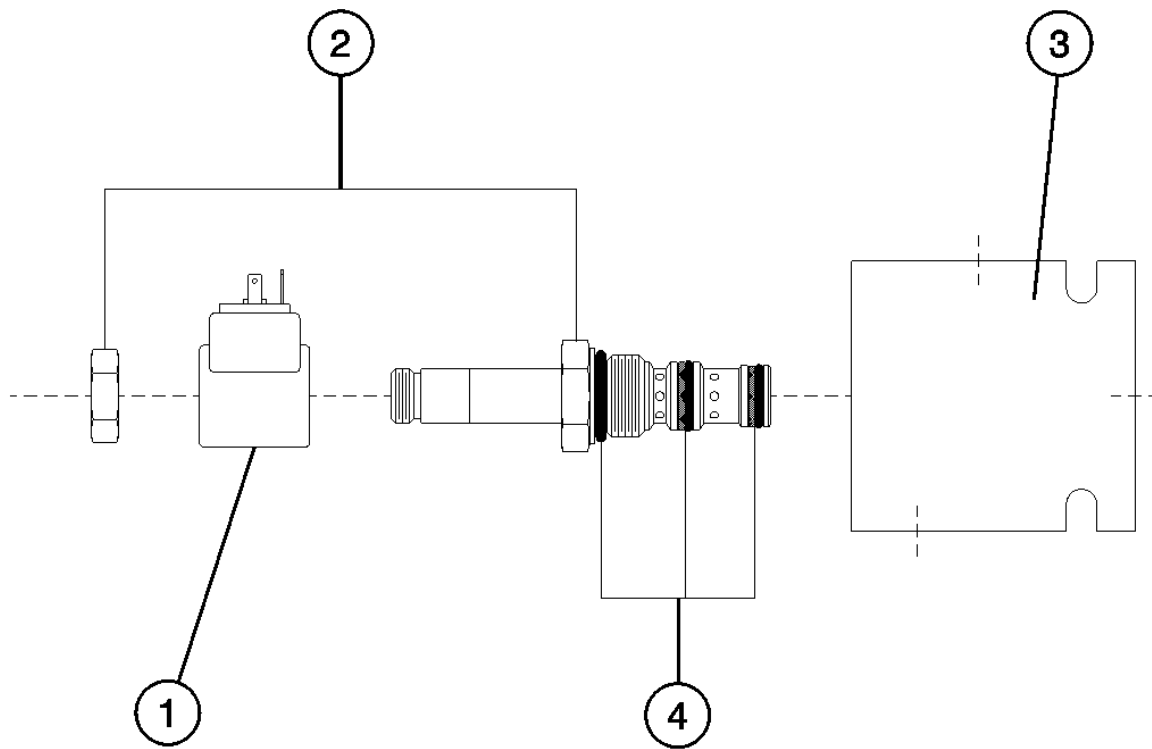




921.1 Valve, Boom Activated Rear-Lock

| Item | Part No. | Description    | Qty. |
|------|----------|----------------|------|
| 1    | 7-367-05 | COIL.....      | 1    |
| 2    | 7-367-14 | CARTRIDGE..... | 1    |
| 3    | 7-367-04 | BODY.....      | 1    |
| 4    | 7-367-18 | SEAL KIT.....  | Ref. |

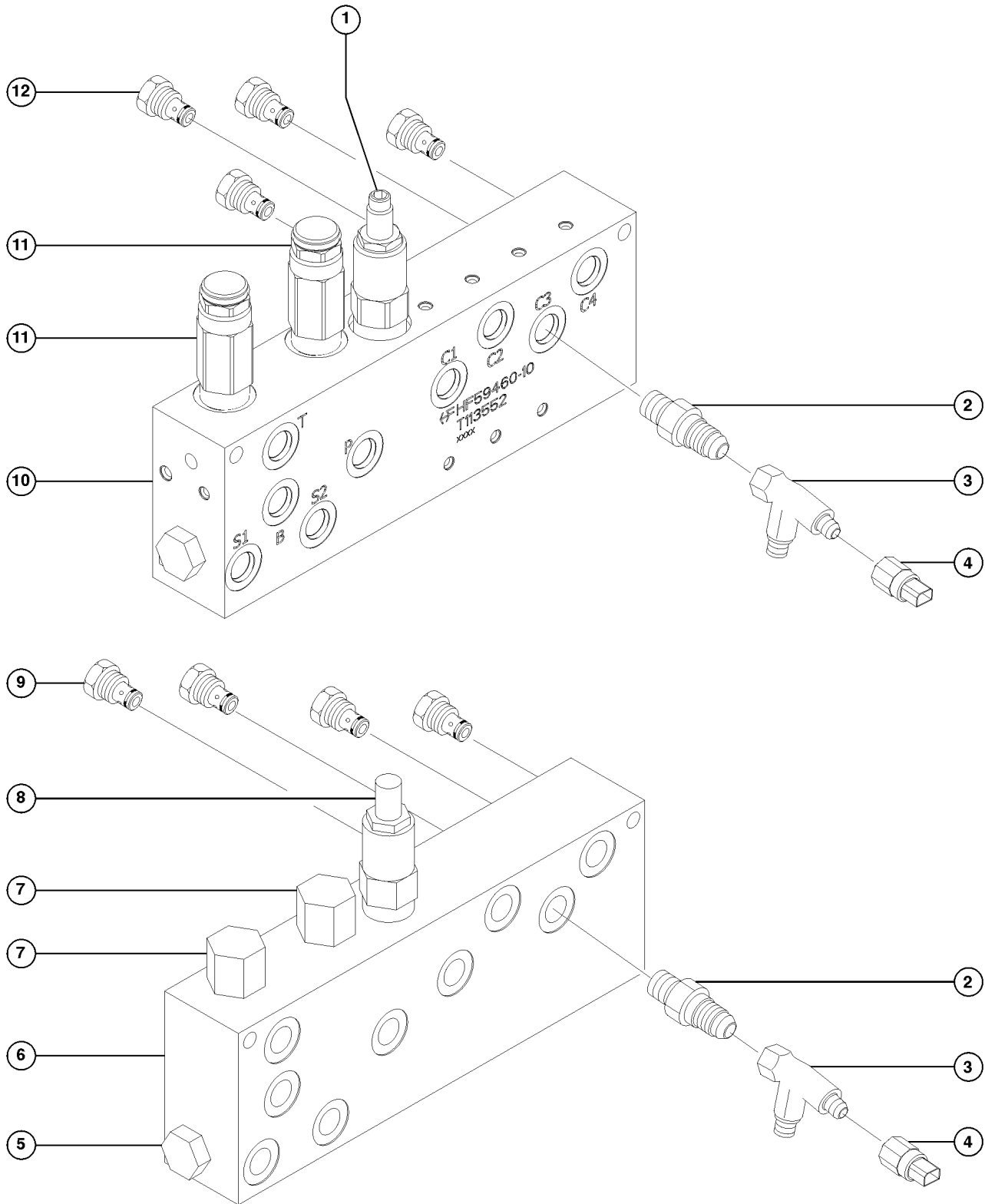
922.1 Valve, Parking Brake and Differential Lock



922.1 Valve, Parking Brake and Differential Lock

| Item | Part No. | Description                | Qty. |
|------|----------|----------------------------|------|
| 1    | 7-367-05 | COIL.....                  | 1    |
| 2    | 7-367-03 | CARTRIDGE / DIFF.LOCK..... | 1    |
| 3    | 7-367-04 | BODY.....                  | 1    |
| 4    | 7-367-18 | SEAL KIT.....              | Ref. |

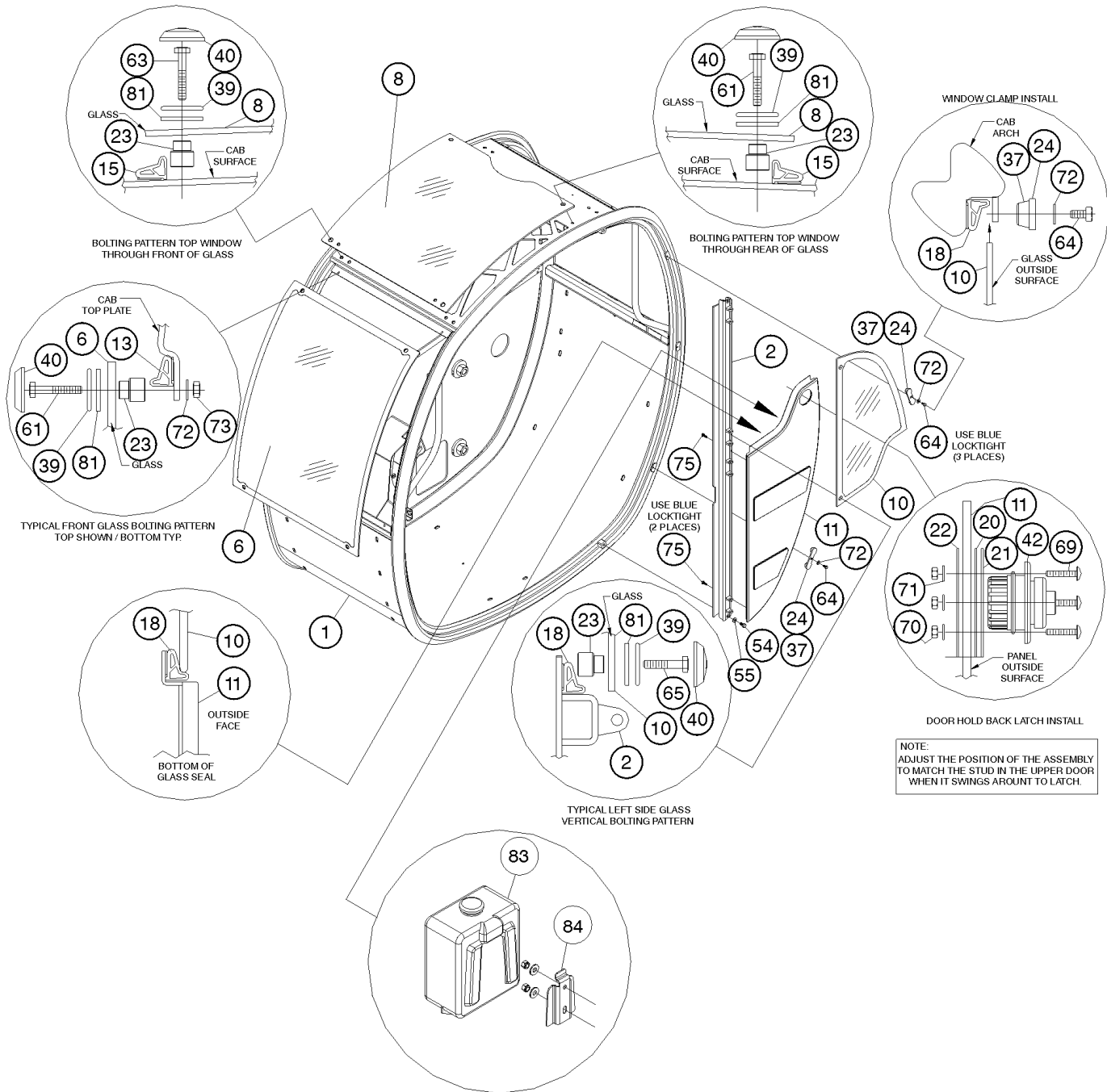
923.1 Rear Lockup Manifold



## 923.1 Rear Lockup Manifold

| Item | Part No. | Description                             | Qty. |
|------|----------|---|------|
| 1    | 226404   | VALVE PRESSURE REDUCING.....1           |      |
| --   | 226406   | SEAL KIT,DIR VALVE,3W2P                 |      |
| 2    | 141650   | ADAPTER,04 FORB X02 MP.....1            |      |
| 3    | 141654   | 6 FJIC SW X 6 MJIC RN X 4<br>ORBT.....1 |      |
| 4    | 117659   | SWITCH,PRESS,NO,50 PSI,04<br>OR.....1   |      |
| --   | 141653   | KIT,BRAKE LT PS-FIELD<br>REPLACE.....1  |      |
| 5    | 7-321-90 | CARTRIDGE / SHUTTLE.....1               |      |
| 6    | 7-168-02 | REAR LOCK UP BLOCK<br>ASSEMBLY.....1    |      |
| 7    | 7-304-07 | CARTRIDGE / MODULAR<br>CONTROL.....2    |      |
| 8    | 7-321-89 | CARTRIDGE /<br>REDUCING-RELIEVING.....1 |      |
| 9    | 7-321-88 | CARTRIDGE / PILOT CHECK.....4           |      |
| 10   | T113552  | MANIFOLD,REAR LOCKUP.....1              |      |
| 11   | 226403   | VALVE,DIRECTIONAL,3W2P.....2            |      |
| --   | 226407   | SEAL KIT,PRESSURE REDUCING              |      |
| 12   | 226405   | VALVE,PO CHECK.....4                    |      |
| --   | 105695   | SEAL KIT FOR 105628                     |      |

1001.1 Fully Enclosed Cab Assembly, View 1

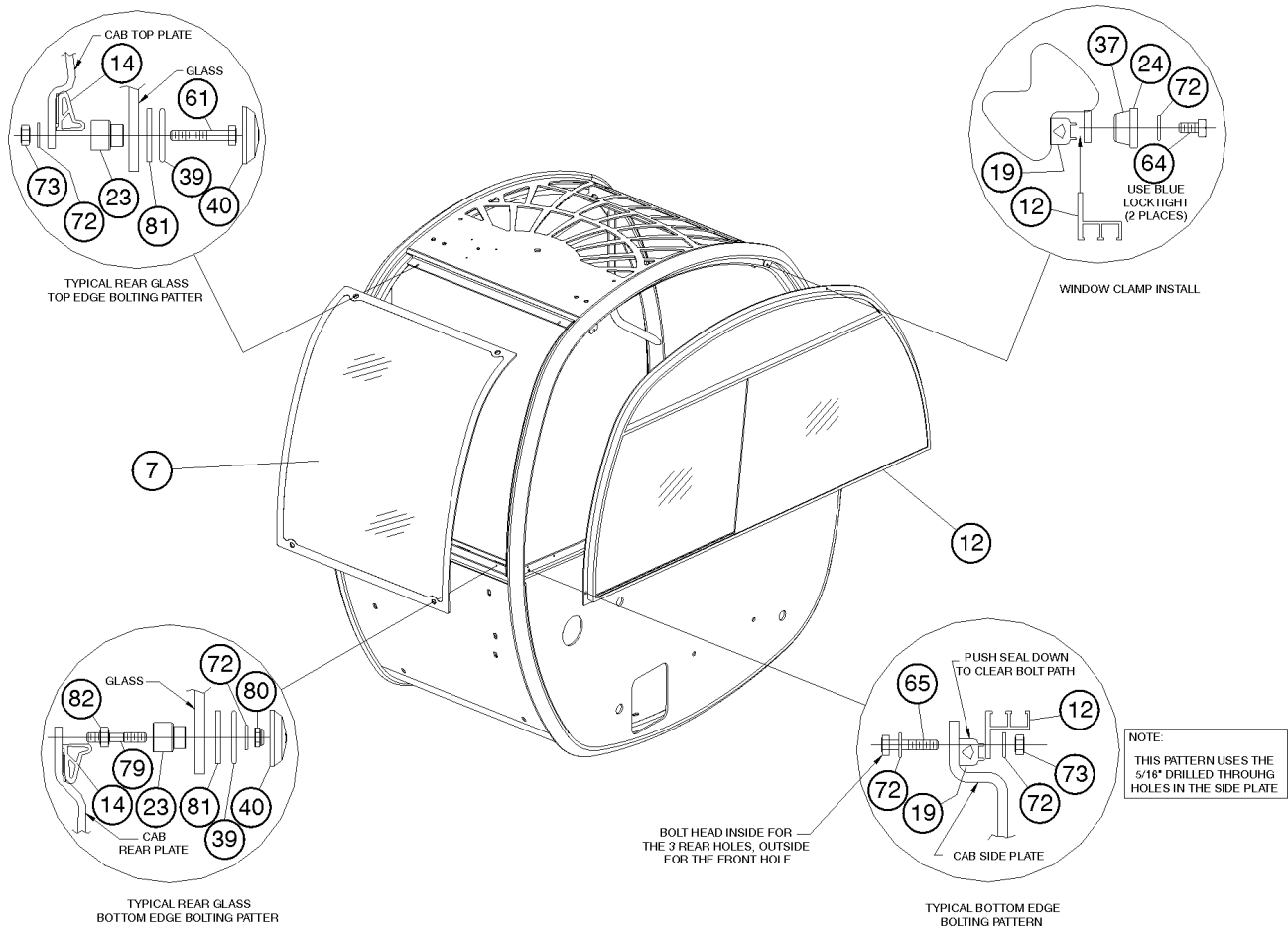


1001.1 Fully Enclosed Cab Assembly, View 1

| Item | Part No.  | Description   | Qty. | Item | Part No. | Description                      | Qty. |
|------|-----------|---|------|------|----------|----------------------------------|------|
| 1    | 7-132-168 | CANOPY ASSEMBLY.....  | 1    | --   | 123221   | RESERVOIR,1.5L WASHER.....       | 1    |
| 2    | 7-132-232 | DOOR POST / STC III.....  | 1    | 84   | 123222   | BRACKET,WASHER<br>RESERVOIR..... | 1    |
| 6    | 130297    | GLASS / WINDSHIELD /<br>SAF-T-CAB.....  | 1    |      |          |                                  |      |
| 8    | 130296    | GLASS / TOP SKYLIGHT /<br>SAF-T-C.....  | 1    |      |          |                                  |      |
| 10   | 7-132-223 | WINDOW / LH / UPPER REAR.....   | 1    |      |          |                                  |      |
| 11   | 7-132-235 | PANEL,LH REAR LOWER,STCIII....  | 1    |      |          |                                  |      |
| 13   | 7-132-193 | Glass seal.....   | 136" |      |          |                                  |      |
| 15   | 7-132-193 | Glass seal.....   | 124" |      |          |                                  |      |
| 18   | 7-132-193 | Glass seal.....   | 166" |      |          |                                  |      |
| 20   | 7-132-195 | GASKET / DOOR HOLD-BACK.....  | 1    |      |          |                                  |      |
| 21   | 7-132-188 | RING / DOOR HOLD BACK<br>MOUNT.....   | 1    |      |          |                                  |      |
| 22   | 7-132-236 | RING/DOOR HOLDBACK<br>MOUNT/INNER.....  | 1    |      |          |                                  |      |
| 23   | 7-132-247 | SPACER / GLASS.....   | 14   |      |          |                                  |      |
| 24   | 7-132-145 | CLIP / GLASS RETAINER.....  | 5    |      |          |                                  |      |
| 37   | 7-132-164 | RUBBER BUMPER / STICK ON....  | 10   |      |          |                                  |      |
| 39   | 7-132-84  | WASHER,STC PLASTIC<br>COVER.....  | 30   |      |          |                                  |      |
| 40   | 7-132-74  | COVER,STC PLASTIC BOLT.....   | 30   |      |          |                                  |      |
| 42   | 7-132-197 | LATCH / DOOR HOLD BACK.....   | 1    |      |          |                                  |      |
| 54   | 77692     | SCREW,HHC,3/8-16 X 1 GRD 8....  | 2    |      |          |                                  |      |
| 55   | 19934     | WASHER,3/8<br>HARD.STEEL-FLAT,USS.....  | 2    |      |          |                                  |      |
| 61   | 6-5204-12 | SCREW,HHC,1/4-20 X1.50,GR8....  | 8    |      |          |                                  |      |
| 63   | 6-5205-12 | SCREW,HHC,5/16-18X1.50,GR8....  | 2    |      |          |                                  |      |
| 64   | 6-5204-04 | SCREW,HHC,1/4-20X.5,GR8.....  | 6    |      |          |                                  |      |
| 65   | 6-5204-10 | SCREW,1/4-20 X 1.25,GR8.....  | 8    |      |          |                                  |      |
| 69   | 7-173-26  | BOLT / #10-24 x 3/4 BUTTON<br>HEA.....  | 3    |      |          |                                  |      |
| 70   | 6-6286-05 | NUT / SELF LOCKING.....   | 3    |      |          |                                  |      |
| 71   | 6146      | WASHER,FLAT,MS,#10,Y.....   | 3    |      |          |                                  |      |
| 72   | 6-6212-04 | WASHER,FLAT,.250,<br>HARDENED.....  | 23   |      |          |                                  |      |
| 73   | 6091      | NUT,NYLOCK,1/4-20.....  | 10   |      |          |                                  |      |
| 75   | 6-5204-06 | SCREW,HHC,1/4-20X.75,GR8.....   | 2    |      |          |                                  |      |
| 81   | 7-132-246 | RUBBER SEAL WASHER.....   | 14   |      |          |                                  |      |
| 83   | 123245    | WASHER BOTTLE/BRACKET ASSY<br><i>Includes items 83-, 84, 123223 pump,<br/>130203 nozzle, 51495 hose</i> |      |      |          |                                  |      |



1002.1 Fully Enclosed Cab Assembly, View 2

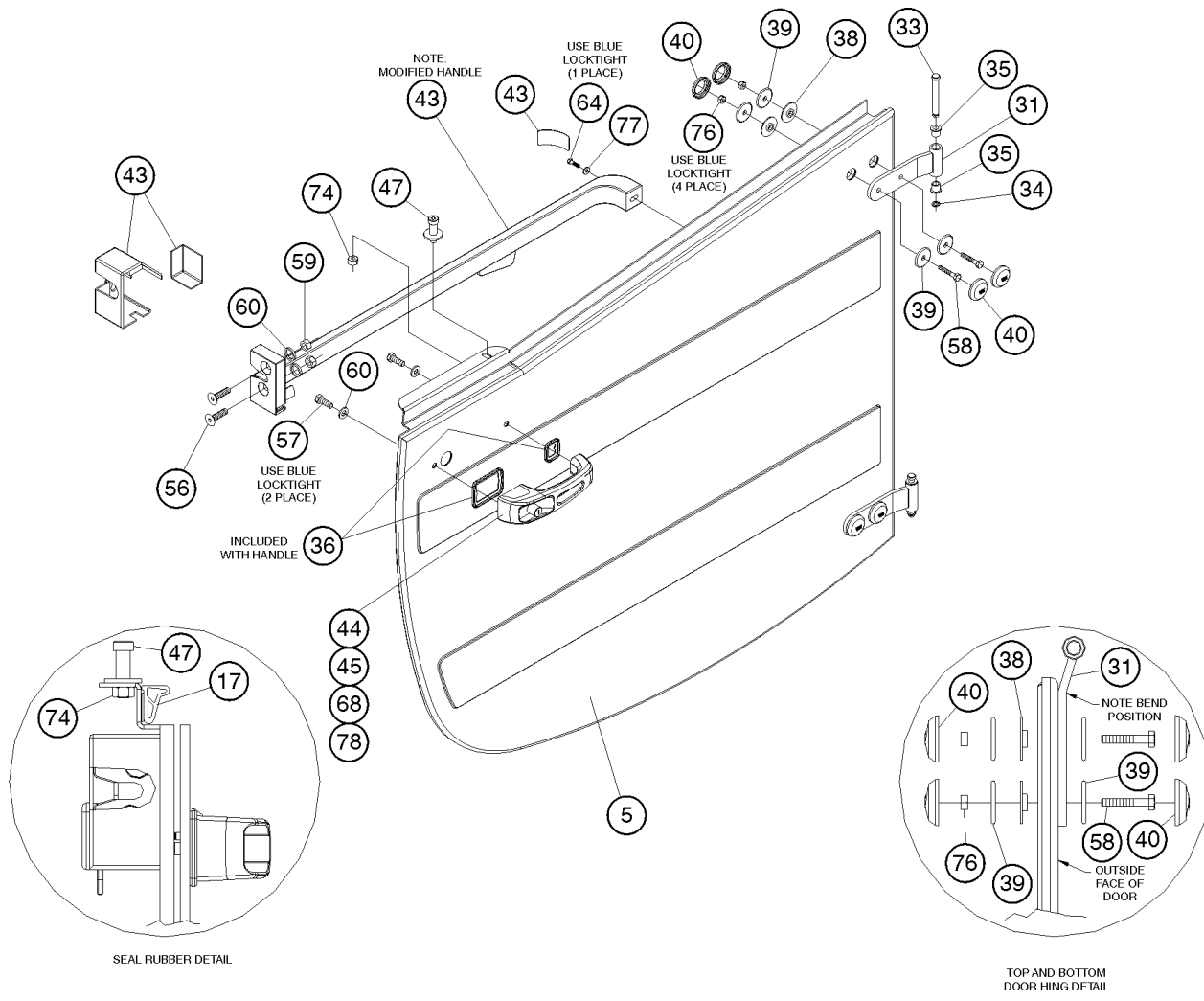




## 1002.1 Fully Enclosed Cab Assembly, View 2

| Item | Part No.  | Description                            | Qty. |
|------|-----------|--|------|
| 7    | 130294    | GLASS / REAR.....                      | 1    |
| 12   | 7-132-178 | SLIDER ASSY / RH SIDE /<br>SAF-T.....  | 1    |
| --   | 161801    | SEAL,FELT,LWR RH<br>WIN,SAF-T-CAB..... | 1    |
| 14   | 7-132-193 | Glass seal.....                        | 136" |
| 19   | 7-132-146 | WINDOW / RUBBER MOUNTING /<br>PE.....  | 176" |
| 37   | 7-132-164 | RUBBER BUMPER / STICK ON....           | 10   |
| 39   | 7-132-84  | WASHER,STC PLASTIC<br>COVER.....       | 30   |
| 40   | 7-132-74  | COVER,STC PLASTIC BOLT.....            | 30   |
| 61   | 6-5204-12 | SCREW,HHC,1/4-20 X1.50,GR8....         | 8    |
| 64   | 6-5204-04 | SCREW,HHC,1/4-20X.5,GR8.....           | 6    |
| 65   | 6-5204-10 | SCREW,1/4-20 X 1.25,GR8.....           | 8    |
| 72   | 6-6212-04 | WASHER,FLAT,.250,<br>HARDENED.....     | 23   |
| 73   | 6091      | NUT,NYLOCK,1/4-20.....                 | 10   |
| 80   | 7-132-245 | NUT / NYLOCK JAM.....                  | 2    |
| 81   | 7-132-246 | RUBBER SEAL WASHER.....                | 14   |
| 82   | 6-6201-04 | NUT,HEX,1/4-20.....                    | 2    |

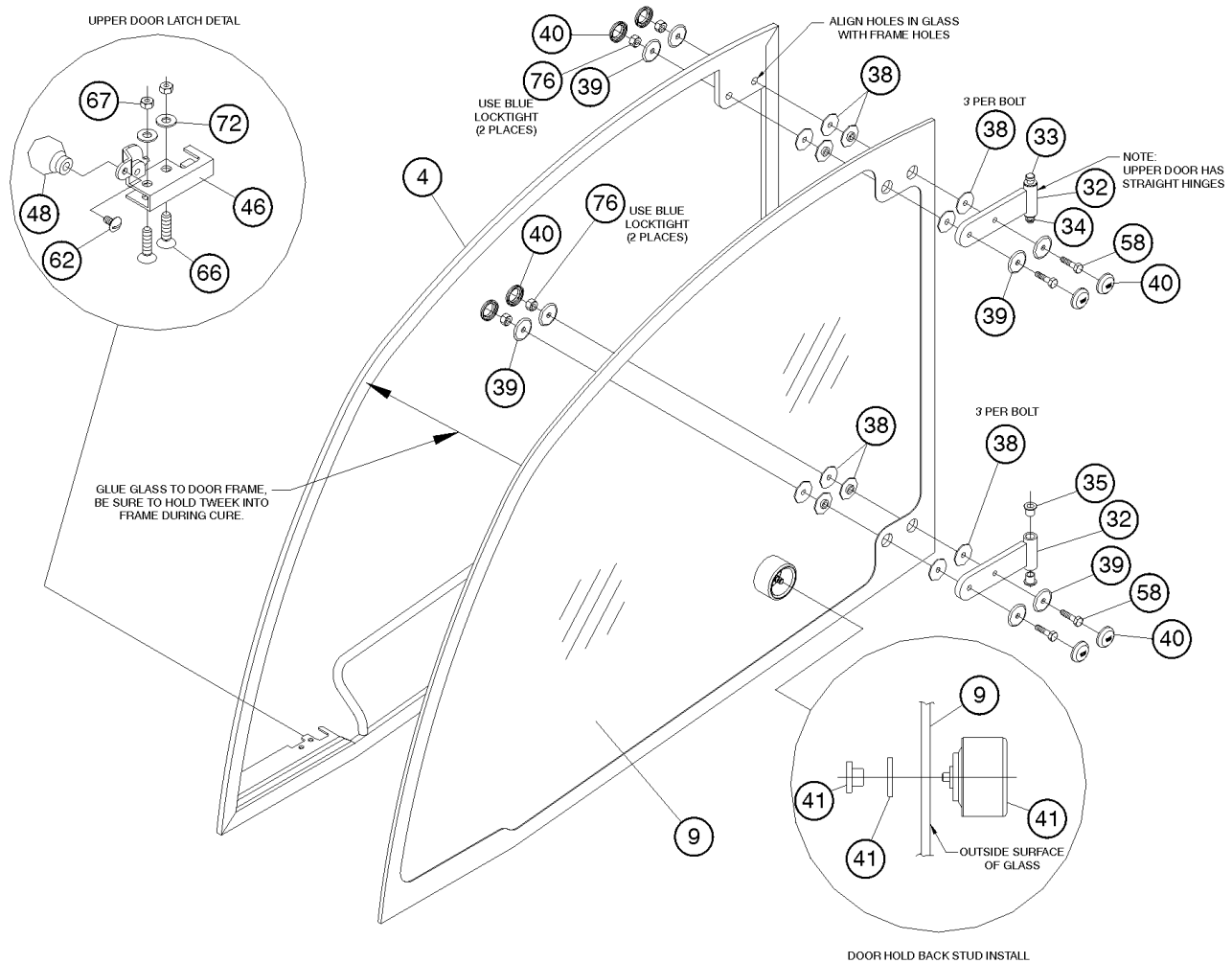
1003.1 Fully Enclosed Cab Assembly, View 3



## 1003.1 Fully Enclosed Cab Assembly, View 3

| Item | Part No.  | Description                            | Qty.      |
|------|-----------|--|-----------|
| 5    | 7-132-205 | DOOR ASSY. COMPLETE / LOWER/<br>S..... | 1         |
| 17   | 7-132-193 | Glass seal.....                        | 40-inches |
| 31   | 7-132-237 | HINGE LR DOOR/STCIII/ W ST<br>DR.....  | 2         |
| 33   | 7-132-190 | HINGE PIN.....                         | 4         |
| 34   | 7-132-191 | DOOR HINGE PIN E-CLIP.....             | 4         |
| 35   | 7-132-192 | PLASTIC BUSHING / DOOR<br>HINGE.....   | 8         |
| 36   | 7-132-138 | LATCH GASKET.....                      | Ref.      |
| 38   | 7-132-85  | SEAL WASHER.....                       | 16        |
| 39   | 7-132-84  | WASHER,STC PLASTIC<br>COVER.....       | 30        |
| 40   | 7-132-74  | COVER,STC PLASTIC BOLT.....            | 30        |
| 43   | 7-132-198 | HANDLE / INSIDE DOOR LATCH /<br>S..... | 1         |
| 44   | 7-132-136 | DOOR LATCH / EXTERIOR.....             | 1         |
| 45   | 7-132-199 | DOOR KEY / SAF-T-CAB III.....          | 2         |
| 47   | 7-132-201 | BOLT / STRIKER.....                    | 1         |
| 56   | 7-173-14  | BOLT / 8mm x 35mm / C-SUNK<br>ALL..... | 2         |
| 57   | 6-8508-30 | CAPSCREW.....                          | 2         |
| 58   | 6-5205-12 | SCREW,HHC,5/16-18X1.50,GR8....         | 8         |
| 59   | 6-9105-08 | SELF LOCKING NUT.....                  | 2         |
| 60   | 7-173-28  | 8 MM FLAT WASHER.....                  | 4         |
| 64   | 6-5204-04 | SCREW,HHC,1/4-20X.5,GR8.....           | 6         |
| 68   | 6-8506-40 | CAPSCREW 6MM X 1.00 X 40MM<br>LG.....  | 1         |
| 74   | 7-194-89  | JAM<br>NUT,NYLOCK,5/16-18,PLATED.....  | 1         |
| 76   | 6038      | NUT,HEX,5/16-18,GR8.....               | 8         |
| 77   | 7-173-27  | FLATWASHER 6MM ID X 12 MM<br>OD.....   | 1         |
| 78   | 6-9101-06 | 6MM X 1.00 HEX NUT.....                | 1         |

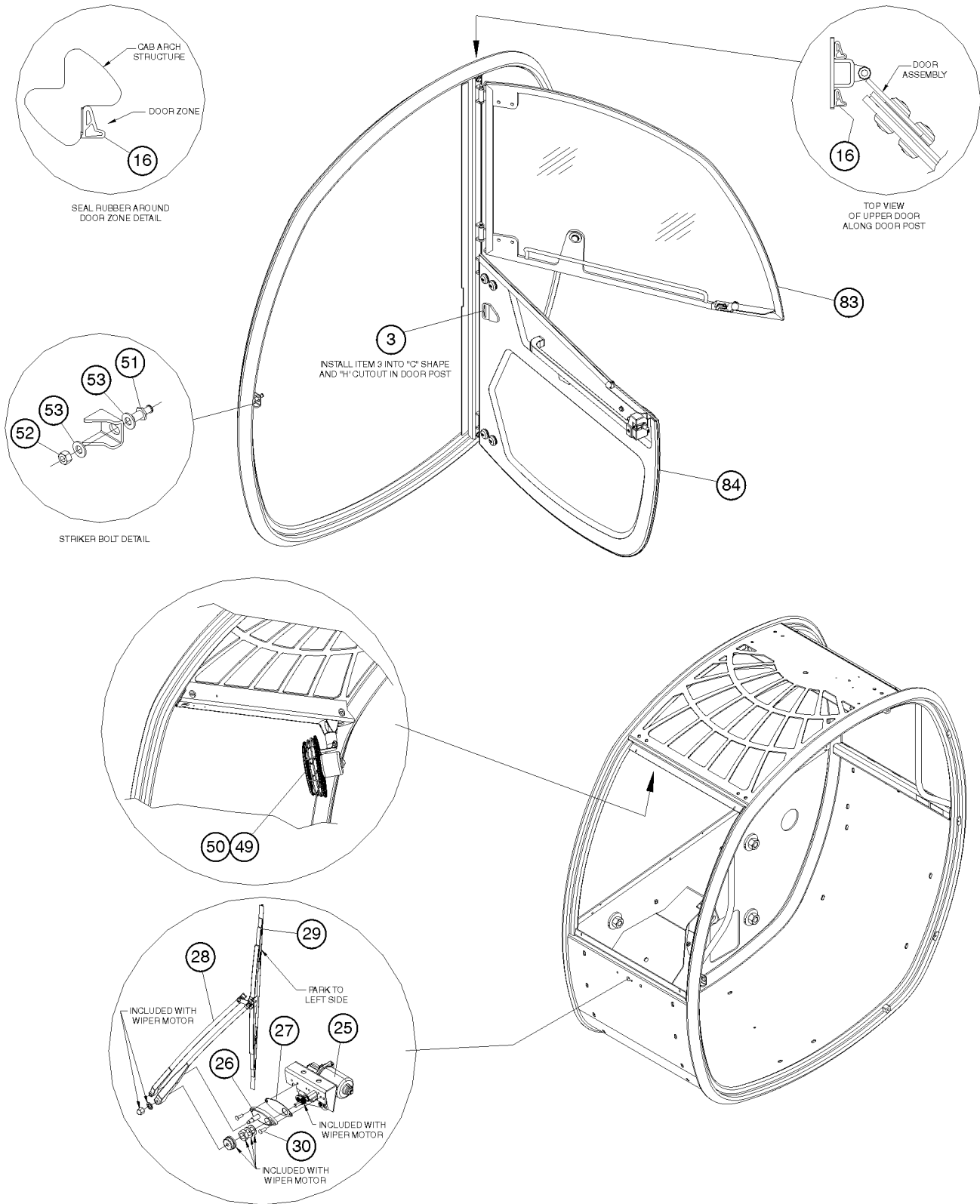
1004.1 Fully Enclosed Cab Assembly, View 4



## 1004.1 Fully Enclosed Cab Assembly, View 4

| Item | Part No.  | Description                            | Qty. |
|------|-----------|--|------|
| --   | 7-132-204 | UPPER DOOR ASSEMBLY                    |      |
| 4    | 7-132-186 | FRAME / UPPER DOOR.....                | 1    |
| 9    | 130298    | GLASS / DOOR / TOP /<br>SAF-T-CAB..... | 1    |
| 32   | 7-132-238 | HINGE.....                             | 2    |
| 33   | 7-132-190 | HINGE PIN.....                         | 4    |
| 34   | 7-132-191 | DOOR HINGE PIN E-CLIP.....             | 4    |
| 35   | 7-132-192 | PLASTIC BUSHING / DOOR<br>HINGE.....   | 8    |
| 38   | 7-132-85  | SEAL WASHER.....                       | 16   |
| 39   | 7-132-84  | WASHER,STC PLASTIC<br>COVER.....       | 30   |
| 40   | 7-132-74  | COVER,STC PLASTIC BOLT.....            | 30   |
| 41   | 7-132-197 | LATCH / DOOR HOLD BACK.....            | 1    |
| 46   | 7-132-200 | DOOR LATCH / SPLIT DOOR.....           | 1    |
| 48   | 7-132-202 | KNOB / SPLIT DOOR LATCH.....           | 1    |
| 58   | 6-5205-12 | SCREW,HHC,5/16-18X1.50,GR8....         | 8    |
| 62   | 7-194-87  | MACHINE SCREW / 10-32 x 3/8<br>LG..... | 1    |
| 66   | 7-173-17  | SCREW / M6 x 1.00 x 30mm LG./...2      |      |
| 67   | 49364     | NUT,NYLOCK,M6X1.00.....                | 2    |
| 72   | 6-6212-04 | WASHER,FLAT,.250,<br>HARDENED.....     | 23   |
| 76   | 6038      | NUT,HEX,5/16-18,GR8.....               | 8    |

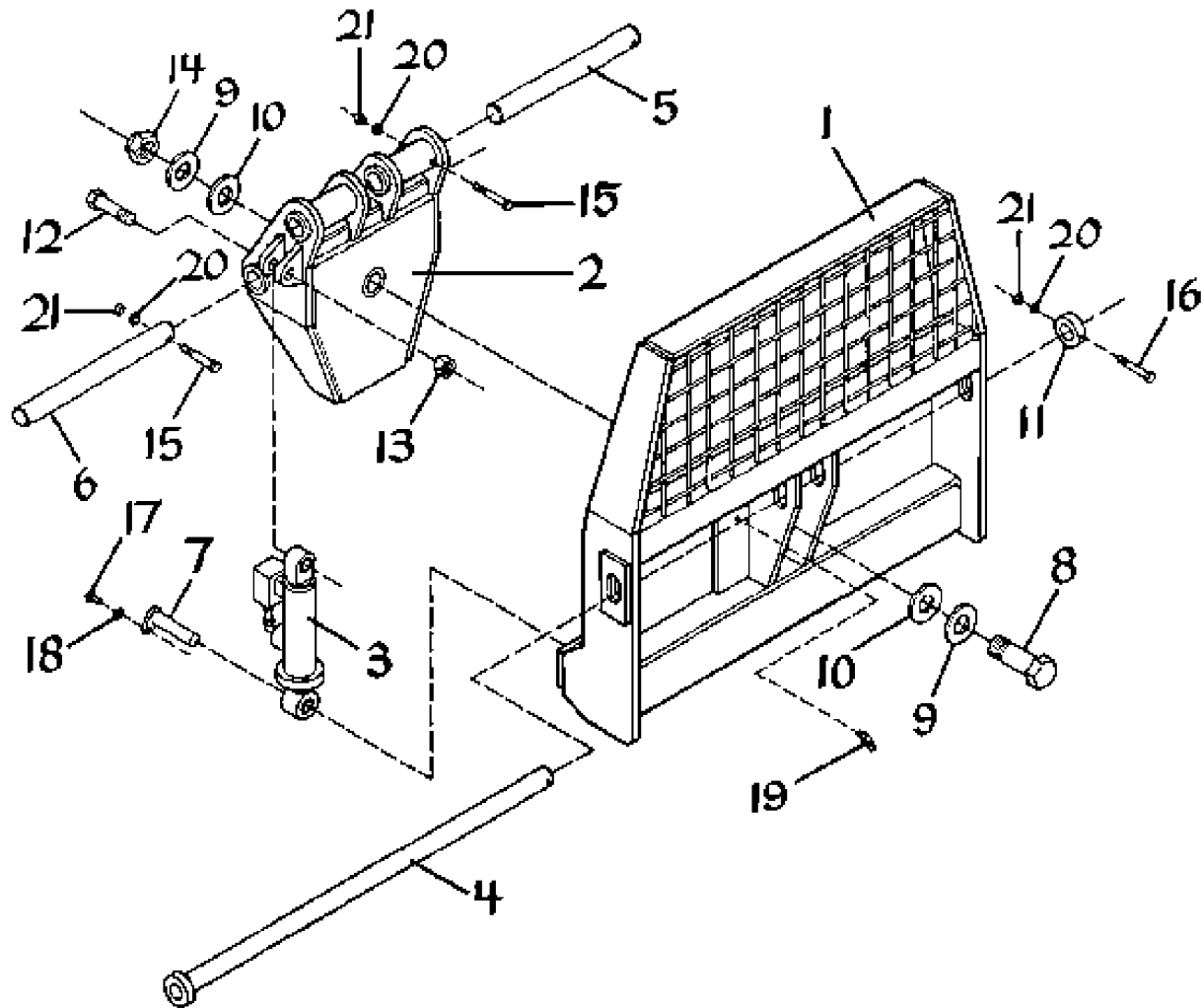
1005.1 Fully Enclosed Cab Assembly, View 5



## 1005.1 Fully Enclosed Cab Assembly, View 5

| Item | Part No.  | Description  | Qty.       |
|------|-----------|--|------------|
| --   | 7-132-207 | KIT,FRONT WINDSHIELD WIPER<br><i>includes items 25-30</i>  |            |
| 3    | 7-132-42  | DOOR STRAP / 7 IN.....   | 1          |
| 16   | 7-132-193 | Glass seal.....  | 196-inches |
| 25   | 7-132-124 | WIPER MOTOR / SAF T CAB 2 &<br>3.....  | 1          |
| --   | 226582    | SHAFT,WIPER MOTOR PIVOT***<br><i>(THIS P/N IS FOR WIPER MOTOR<br/>SHAFT AND RELATED HARDWARE<br/>ONLY)</i> |            |
| --   | T115360   | WIPER MOTOR WITHOUT SHAFT***   |            |
| 26   | 7-132-210 | PANTOGRAPH WIPER BASE w/<br>GASKE.....   | 1          |
| 27   | 7-132-210 | PANTOGRAPH WIPER BASE w/<br>GASKE.....<br><i>(7-132-211 no longer available)</i>                           | 1          |
| 28   | 123225    | ARM,STCIII,24"WET WIPER.....   | 1          |
| 29   | 7-132-213 | WIPER BLADE / 28 IN. / FLEX.....   | 1          |
| 30   | 7-194-86  | BOLT 1/4-28 X 3/4.....   | 2          |
| 49   | 7-347-02  | FAN ASSEMBLY.....  | 1          |
| 50   | 6-5603-06 | CAP SCREW,SH,10-24 X 0.75.....   | 4          |
| 51   | 7-132-41  | DOOR STRIKER.....  | 1          |
| 52   | 6-9101-12 | HEX NUT 12MM.....  | 1          |
| 53   | 6-6212-08 | WASHER,FLAT,USS,1/2",Y.....  | 2          |
| 83   |           | Ref. UPPER DOOR ASSEMBLY<br><i>refer to 1004.1</i>   |            |
| 84   |           | Ref. DOOR ASSY / LOWER /<br>STAMPED ST<br><i>refer to 1003.1</i>   |            |

1006.1 Fork Frame Rotate Assembly

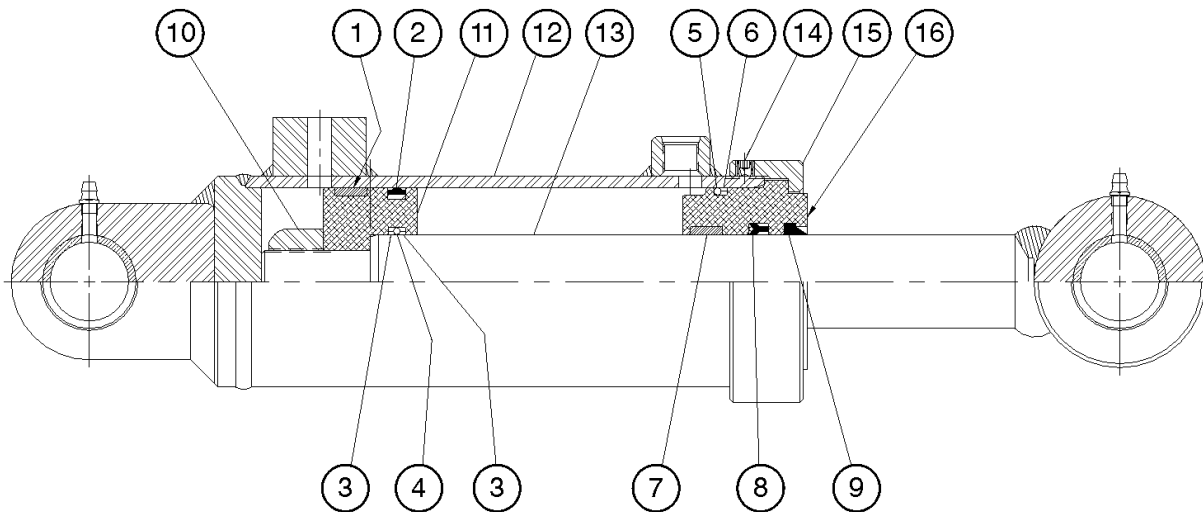




## 1006.1 Fork Frame Rotate Assembly

| Item | Part No.  | Description                               | Qty. |
|------|-----------|---|------|
| --   | 4-1118-16 | ROTATE STOPS.....1<br>(not shown)         | 1    |
| 1A   | 4-1118    | FORK FRAME,48" ROT PIN 844.....1          | 1    |
| 1B   | 4-1292    | FORK FRAME, 60" ROT PIN 844               |      |
| 1C   | 4-1170    | FORK FRAME, 72" ROT 844                   |      |
| 2    | 4-1528    | PIVOT FRAME, ROTATE 844.....1             | 1    |
| 3    | 123580    | CYLINDER,ROTATE***.....1                  | 1    |
| 4A   | 2-1067-10 | PIN, FORK TINE 48".....1                  | 1    |
| 4B   | 2-1067-12 | PIN,FORK TINE 60"                         |      |
| 4C   | 2-1067-11 | PIN,FORK TINE 72"                         |      |
| 5    | 5-2041-32 | PIN,2.00DIA X 19.88,ONE HOLE.....1        | 1    |
| 6    | 5-2041-20 | PIN,2.00 DIA X 21.00,ONE<br>HOLE.....Ref. | Ref. |
| 7    | 123581    | PIN,ROTATE CYLINDER.....1                 | 1    |
| 8    | 1-1072    | BOLT,HMB,2-12X5 7/8,GR8.....1             | 1    |
| 9    | 1-1073    | WASHER.....2                              | 2    |
| 10   | 123445    | T WASHER,4.00X2.00X.125.....2             | 2    |
| 11   | 1-1074    | COLLAR.....Ref.                           | Ref. |
| 12   | 1-1071    | BOLT,1 1/4-12X4 3/4.....1                 | 1    |
| 13   | 6-6206-20 | NUT,NYLOCK 1 1/4.....1                    | 1    |
| 14   | 7-280-02  | NUT,LOCK.....1                            | 1    |
| 15   | 6-5208-30 | SCREW,HHC,1/2-13X3.75,GR8..Ref.           | Ref. |
| 16   | 13854     | SCREW,HHC,1/2-13 X<br>4.5,GRD.8.....Ref.  | Ref. |
| 17   | 77692     | SCREW,HHC,3/8-16 X 1 GRD 8.....1          | 1    |
| 18   | 6021      | WASHER,LOCK,.375.....1                    | 1    |
| 19   | 28646     | ZERK,GREASE,1/8 NPT.....3                 | 3    |
| 20   | 6033      | WASHER,LOCK,0.5".....Ref.                 | Ref. |
| 21   | 104328    | NUT,HEX,1/2-13 GRD 8.....Ref.             | Ref. |

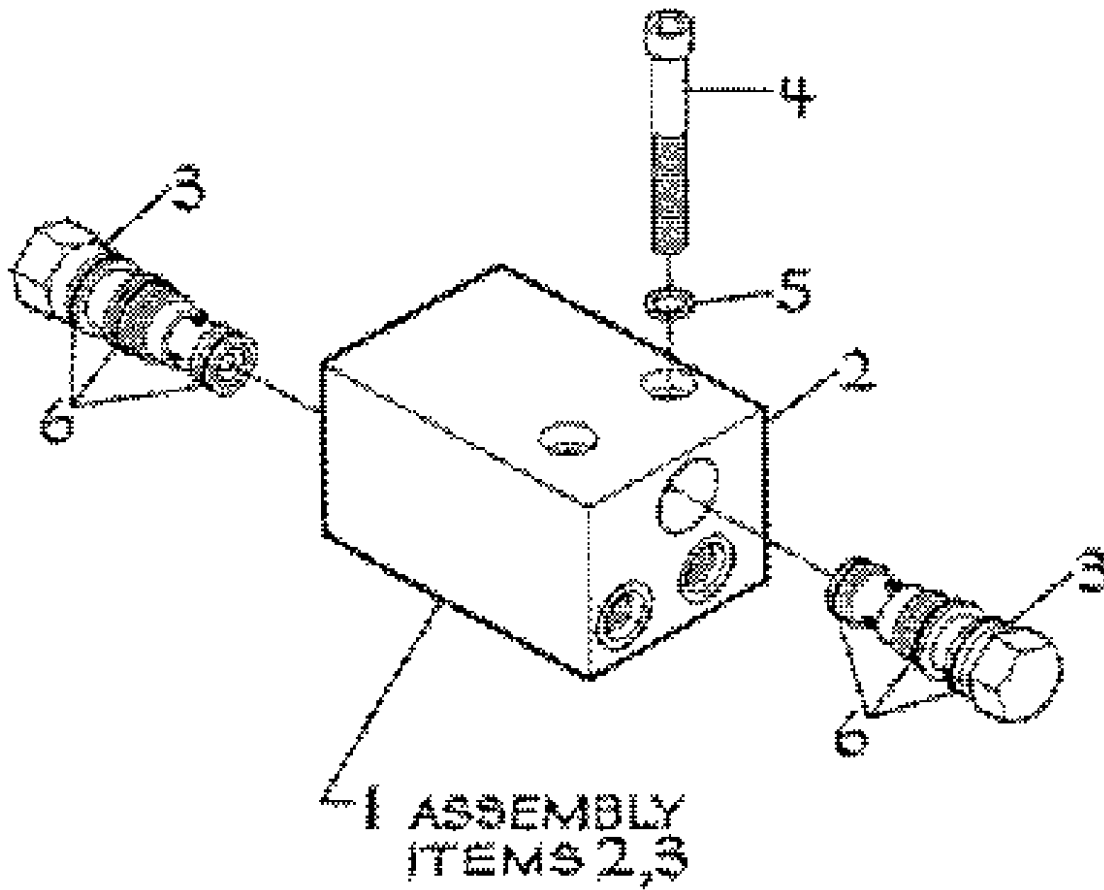
1007.1 Rotate Cylinder Assembly



1007.1 Rotate Cylinder Assembly

| Item | Part No. | Description                | Qty. |
|------|----------|----------------------------|------|
| --   | 7-900-86 | SEAL KIT,CYLINDER*** ..... | Ref. |
| 1    | 7-379-36 | Wear Ring.....             | 1    |
| 2    | 7-379-37 | PSP Seal.....              | 1    |
| 3    | 7-379-22 | Back-up Ring.....          | 2    |
| 4    | 7-379-23 | O-ring.....                | 1    |
| 5    | 7-379-38 | O-ring.....                | 1    |
| 6    | 7-379-39 | Back-up Ring.....          | 1    |
| 7    | 7-379-26 | Wear Ring.....             | 1    |
| 8    | 7-379-45 | Loaded U-cup.....          | 1    |
| 9    | 7-379-28 | Rod Wiper.....             | 1    |
| 10   | 7-379-29 | LOCKNUT.....               | 1    |
| 11   | 7-379-40 | Piston.....                | 1    |
| 12   | 7-379-41 | Barrel Assembly.....       | 1    |
| 13   | 7-379-42 | Rod Assembly.....          | 1    |
| 14   | 7-379-33 | SET SCREW.....             | 1    |
| 15   | 7-379-43 | Thread Cap.....            | 1    |
| 16   | 7-379-44 | Thread Cap Head.....       | 1    |

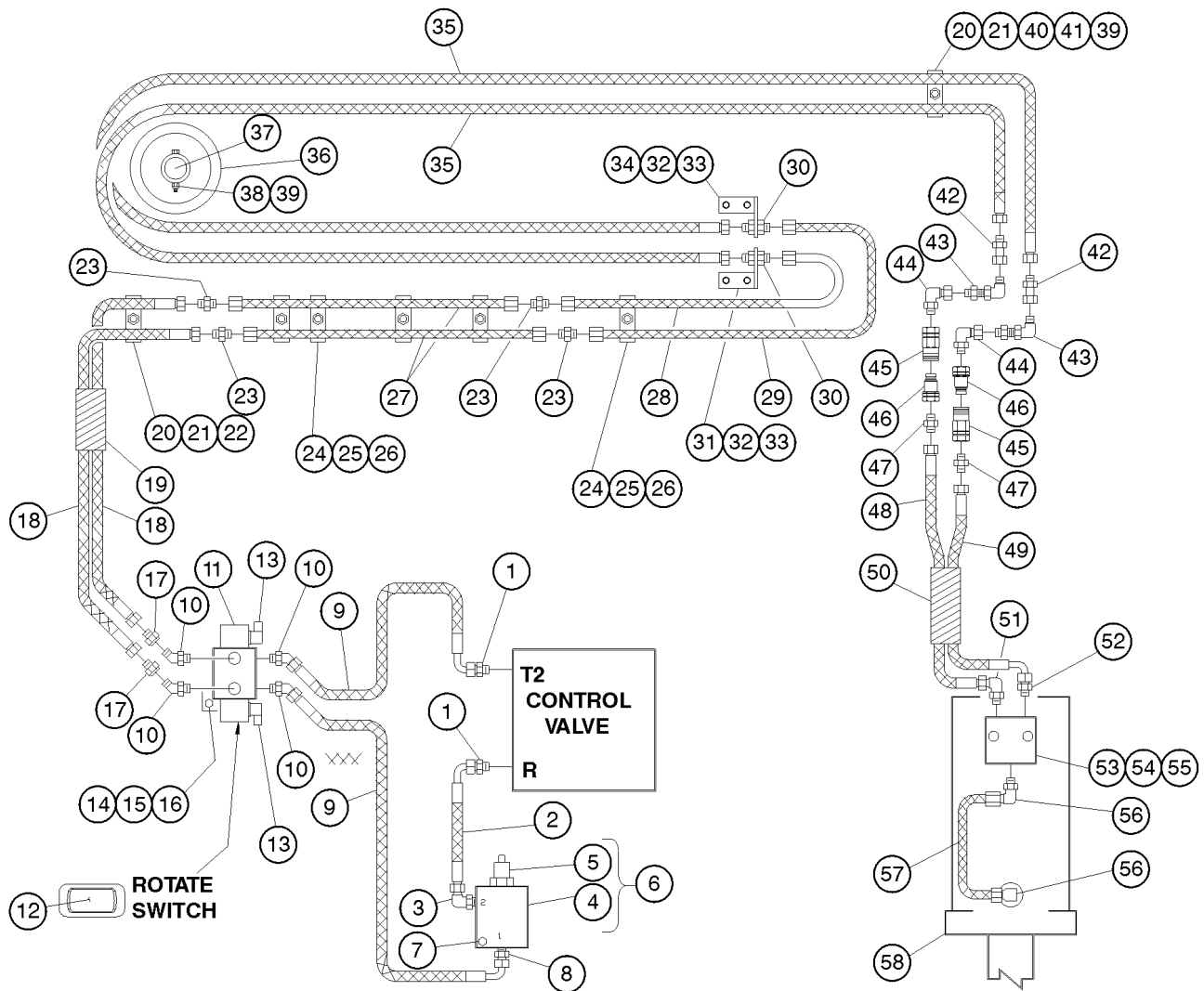
1008.1 Dual Pilot Check Valve



1008.1 Dual Pilot Check Valve

| Item | Part No. | Description                  | Qty. |
|------|----------|------------------------------|------|
| 1    | 7-234-35 | VALVE,DUAL PILOT CHECK.....  | 1    |
| 2    | 7-234-46 | BODY.....                    | 1    |
| 3    | 7-234-18 | CARTRIDGE / PILOT CHECK..... | 2    |
| 4    | 123668   | SCREW,SHC,5/16-18X2.50.....  | 2    |
| 5    | 123669   | WASHER,HI-LOCK.....          | 2    |
| 6    | 7-234-29 | SEAL KIT.....                | 2    |

1009.1 Circuit, Fork Rotate

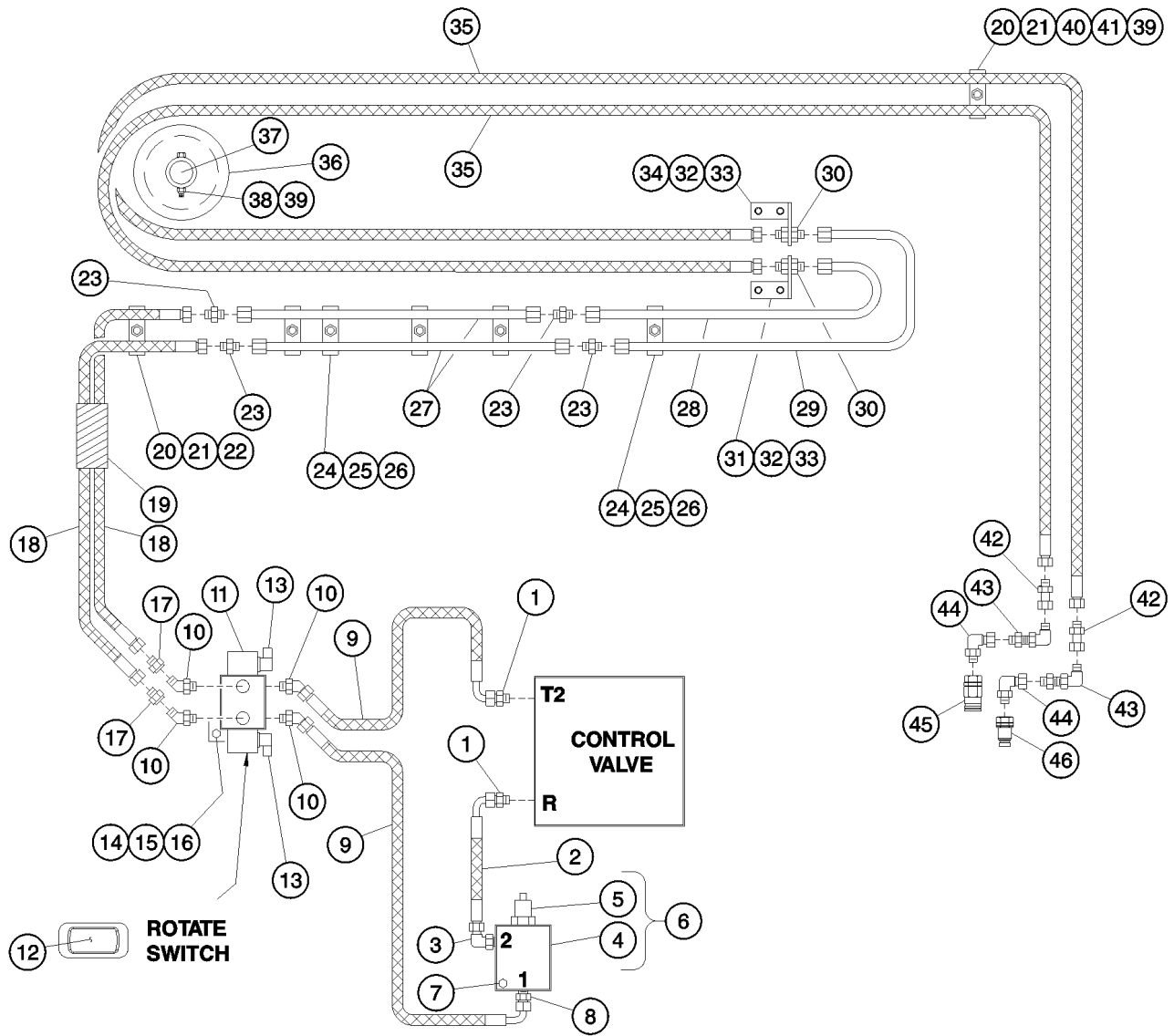


1009.1 Circuit, Fork Rotate

| Item | Part No.   | Description  | Qty. | Item | Part No.  | Description                           | Qty. |
|------|------------|--|------|------|-----------|---------------------------------------|------|
| 1    | 123671     | FITTING, 06OR X 06 JIC STR.....  | 2    | 38   | 21604     | SCREW,HHC,3/8-16 X 3.25.....          | 1    |
| 2    | 6-7023-40  | HOSE,06X06-90X20LG.....  | 1    | 39   | 4828      | NUT,NYLOCK,3/8-16.....                | 2    |
| 3    | 6-6453-07  | FITTING,08 OR X 06 JIC 90.....   | 1    | 40   | 14033     | SCREW,HHC,3/8-16 X 2.75.....          | 1    |
| 4    | 7-234-84   | VALVE BODY.....  | Ref. | 41   | 6097      | WASHER,FLAT,USS,3/8",Y.....           | 1    |
| 5    | 7-234-17   | CARTRIDGE / NEEDLE.....  | Ref. | 42   | 5-2142    | #8 JIC TO ORFS ADAPTER.....           | 2    |
| 6    | 7-234-103  | NEEDLE VALVE ASSY.....   | 1    | 43   | 75042     | ELBOW,BULKHEAD UNION<br>520701-8..... | 2    |
| 7    | 6-5205-30  | SCREW,HHC,5/16-18X3.75,GR8.....  | 1    | 44   | 123179    | #8,90 DEG ORFS SWIVEL.....            | 2    |
| 8    | 123673     | FITTING, 08 OR X 06 JIC STR.....   | 1    | 45   | 123181    | QUICK COUPLING,FEMALE.....            | 2    |
| 9    | 6-7023-62  | HOSE,06X06-90X31LG.....  | 2    | 46   | 123180    | QUICK COUPLING,MALE.....              | 2    |
| 10   | 6-6452-03  | FITTING,06OR X 06 JIC 45.....  | 4    | 47   | 123673    | FITTING, 08 OR X 06 JIC STR.....      | 2    |
| 11   | 7-244-31   | VALVE,ELECTRIC 4WAY.....   | 1    | 48   | 6-7003-74 | HOSE,6X6X37".....                     | 1    |
| 12   | 123138     | SWITCH, AUXILIARY.....   | 1    | 49   | 6-7023-74 | HOSE,06X06-90X37LG.....               | 1    |
| 13   | 7-244-27   | Ref. DIN CONNECTOR.....<br><i>(7-244-27 is no longer available from<br/>supplier, however, some Genie<br/>inventory may still be in stock)</i> | 2    | 50   | 123838    | COIL,PROTECTIVE,PLASTIC.....          | 24   |
| 14   | 6-5204-12  | SCREW,HHC,1/4-20 X1.50,GR8.....  | 2    | 51   | 123670    | FITTING,06 OR X 06 JIC 90.....        | 1    |
| 15   | 6356       | WASHER,LOCK,..25.....  | 2    | 52   | 123671    | FITTING, 06OR X 06 JIC STR.....       | 1    |
| 16   | 6-6201-04  | NUT,HEX,1/4-20.....  | 2    | 53   | 123758    | VALVE,DUAL PILOT CHECK.....           | 1    |
| 17   | 108520     | FITTING,08X06JIC EXP.....  | 2    | 54   | 123668    | SCREW,SHC,5/16-18X2.50.....           | 2    |
| 18   | 6-7014-184 | HOSE,08X10X92"LG.....  | 2    | 55   | 123669    | WASHER,HI-LOCK.....                   | 2    |
| 19   | 123838     | COIL,PROTECTIVE,PLASTIC.....   | 18   | 56   | 123672    | FITTING,06 SAE X 06 COMP,90.....      | 2    |
| 20   | 7-273-32   | CLAMP HALVES,TWIN,7/8" TUBE...2  |      | 57   | 123674    | FORMED TUBE.....                      | 1    |
| 21   | 123177     | CLAMP CVR PLATE,TWIN,GRP<br>3.....   | 2    | 58   | 123580    | CYLINDER,ROTATE***.....               | 1    |
| 22   | 14723      | SCREW,HHC,5/16-18 X 1.75.....  | 1    |      |           |                                       |      |
| 23   | 5-2139     | UNION,-10.....   | 4    |      |           |                                       |      |
| 24   | 123192     | CLAMP HALVES,TWIN,5/8" TUBE...5  |      |      |           |                                       |      |
| 25   | 123176     | PLATE, TOP.....  | 5    |      |           |                                       |      |
| 26   | 13000      | SCREW,HHC,5/16-18 X 1.25.....  | 5    |      |           |                                       |      |
| 27   | 108558     | TUBE ASSY,STRAIGHT,TH.....   | 2    |      |           |                                       |      |
| 28   | 108559     | TUBE ASSY,AUX,INNER.....   | 1    |      |           |                                       |      |
| 29   | 108560     | TUBE ASSY,AUX,OUTER,TH.....  | 1    |      |           |                                       |      |
| 30   | 6-6475-07  | FITTING,10 JIC BH-UNION,STR....2   |      |      |           |                                       |      |
| 31   | 5-2096     | FORMING,HARDLINE BRKT.....   | 1    |      |           |                                       |      |
| 32   | T106382    | FLGHCS,3/8-16X1.25.GR5,ZN,LOC.4  |      |      |           |                                       |      |
| 33   | 29868      | SPRING CLIP,3/8-16.....  | 4    |      |           |                                       |      |
| 34   | 5-2136     | FORMING,HARDLINE BRKT.....   | 1    |      |           |                                       |      |
| 35   | 6-7014-792 | HOSE,10X8X396LG.....   | 2    |      |           |                                       |      |
| 36   | 5-2038     | SHEAVE,OPTION,HOSE.....  | 1    |      |           |                                       |      |
| 37   | 5-2041-2   | PIN,2.00DIAX7.50 LG,1 HOLE.....  | 1    |      |           |                                       |      |



1010.1 Circuit, Auxillary Hydraulics, 3 -7 GPM

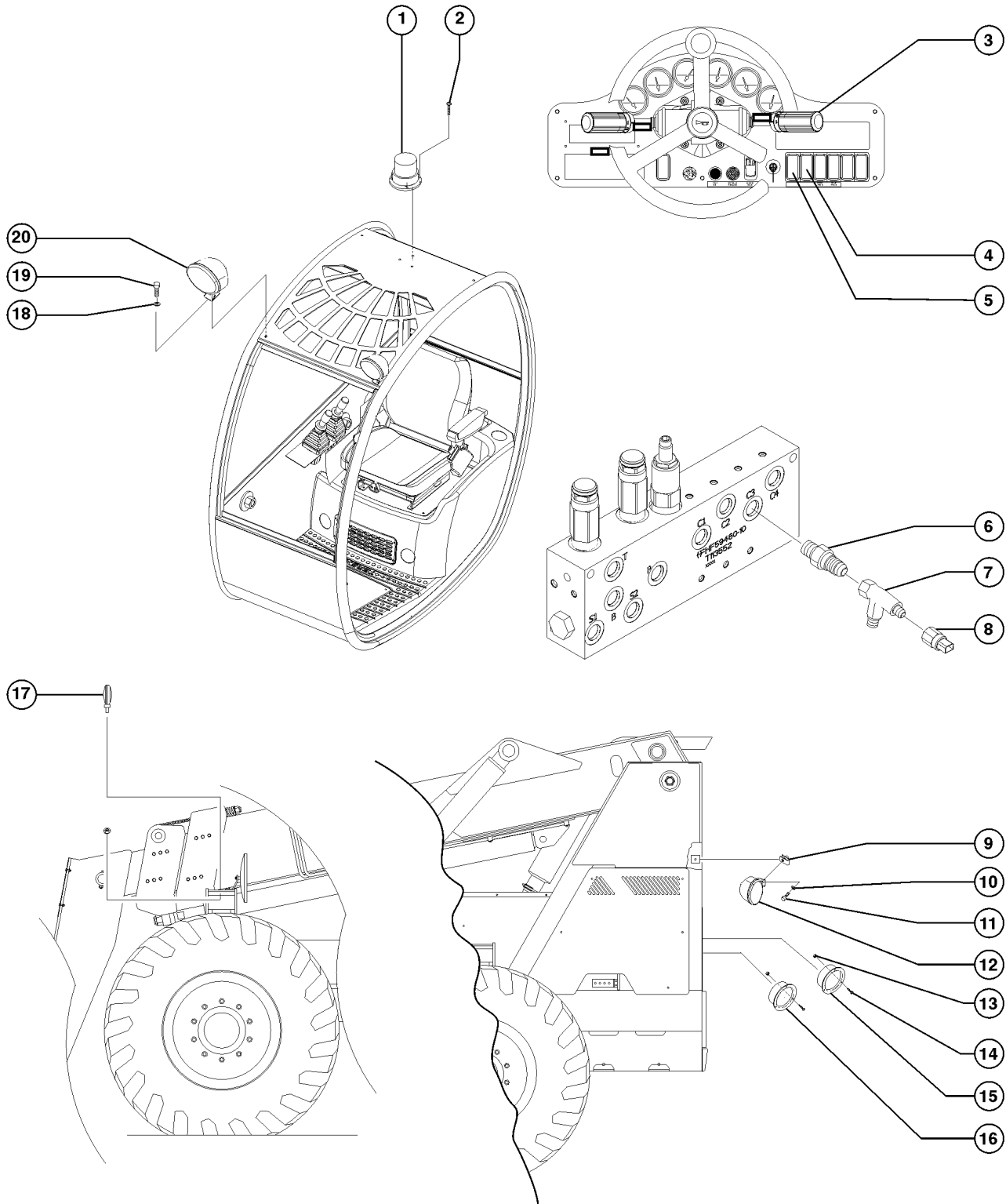




## 1010.1 Circuit, Auxillary Hydraulics, 3 -7 GPM

| Item | Part No.   | Description   | Qty. | Item | Part No. | Description                           | Qty. |
|------|------------|---|------|------|----------|---------------------------------------|------|
| 1    | 123671     | FITTING, 06OR X 06 JIC STR.....   | 2    | 38   | 21604    | SCREW,HHC,3/8-16 X 3.25.....          | 1    |
| 2    | 6-7023-40  | HOSE,06X06-90X20LG.....   | 1    | 39   | 4828     | NUT,NYLOCK,3/8-16.....                | 2    |
| 3    | 6-6453-07  | FITTING,08 OR X 06 JIC 90.....  | 1    | 40   | 14033    | SCREW,HHC,3/8-16 X 2.75.....          | 1    |
| 4    | 7-234-84   | VALVE BODY.....   | Ref. | 41   | 6097     | WASHER,FLAT,USS,3/8",Y.....           | 1    |
| 5    | 7-234-17   | CARTRIDGE / NEEDLE.....   | Ref. | 42   | 5-2142   | #8 JIC TO ORFS ADAPTER.....           | 2    |
| 6    | 7-234-103  | NEEDLE VALVE ASSY.....  | 1    | 43   | 75042    | ELBOW,BULKHEAD UNION<br>520701-8..... | 2    |
| 7    | 6-5205-30  | SCREW,HHC,5/16-18X3.75,GR8.....   | 1    | 44   | 123179   | #8,90 DEG ORFS SWIVEL.....            | 2    |
| 8    | 123673     | FITTING, 08 OR X 06 JIC STR.....  | 1    | 45   | 123181   | QUICK COUPLING,FEMALE.....            | 1    |
| 9    | 6-7023-62  | HOSE,06X06-90X31LG.....   | 2    | 46   | 123180   | QUICK COUPLING,MALE.....              | 1    |
| 10   | 6-6452-03  | FITTING,06OR X 06 JIC 45.....   | 4    |      |          |                                       |      |
| --   | 7-244-27   | Ref. DIN CONNECTOR.....<br>(7-244-27 is no longer available from<br>supplier) | Ref. |      |          |                                       |      |
| 11   | 7-244-31   | VALVE,ELECTRIC 4WAY.....  | 1    |      |          |                                       |      |
| 12   | 123138     | SWITCH, AUXILIARY.....  | 1    |      |          |                                       |      |
| 14   | 6-5204-12  | SCREW,HHC,1/4-20 X1.50,GR8.....   | 2    |      |          |                                       |      |
| 15   | 6356       | WASHER,LOCK,.25.....  | 2    |      |          |                                       |      |
| 16   | 6-6201-04  | NUT,HEX,1/4-20.....   | 2    |      |          |                                       |      |
| 17   | 108520     | FITTING,08X06JIC EXP.....   | 2    |      |          |                                       |      |
| 18   | 6-7014-184 | HOSE,08X10X92"LG.....   | 2    |      |          |                                       |      |
| 19   | 123838     | COIL,PROTECTIVE,PLASTIC.....  | 18   |      |          |                                       |      |
| 20   | 7-273-32   | CLAMP HALVES,TWIN,7/8" TUBE...2   |      |      |          |                                       |      |
| 21   | 123177     | CLAMP CVR PLATE,TWIN,GRP<br>3.....  | 2    |      |          |                                       |      |
| 22   | 14723      | SCREW,HHC,5/16-18 X 1.75.....   | 1    |      |          |                                       |      |
| 23   | 5-2139     | UNION,-10.....  | 4    |      |          |                                       |      |
| 24   | 123192     | CLAMP HALVES,TWIN,5/8" TUBE...5   |      |      |          |                                       |      |
| 25   | 123176     | PLATE, TOP.....   | 5    |      |          |                                       |      |
| 26   | 13000      | SCREW,HHC,5/16-18 X 1.25.....   | 5    |      |          |                                       |      |
| 27   | 108558     | TUBE ASSY,STRAIGHT,TH.....  | 2    |      |          |                                       |      |
| 28   | 108559     | TUBE ASSY,AUX,INNER.....  | 1    |      |          |                                       |      |
| 29   | 108560     | TUBE ASSY,AUX,OUTER,TH.....   | 1    |      |          |                                       |      |
| 30   | 6-6475-07  | FITTING,10 JIC BH-UNION,STR.....  | 2    |      |          |                                       |      |
| 31   | 5-2096     | FORMING,HARDLINE BRKT.....  | 1    |      |          |                                       |      |
| 32   | T106382    | FLGHCS,3/8-16X1.25.GR5,ZN,LOC.4   |      |      |          |                                       |      |
| 33   | 29868      | SPRING CLIP,3/8-16.....   | 4    |      |          |                                       |      |
| 34   | 5-2136     | FORMING,HARDLINE BRKT.....  | 1    |      |          |                                       |      |
| 35   | 6-7014-792 | HOSE,10X8X396LG.....  | 2    |      |          |                                       |      |
| 36   | 5-2038     | SHEAVE,OPTION,HOSE.....   | 1    |      |          |                                       |      |
| 37   | 5-2041-2   | PIN,2.00DIAX7.50 LG,1 HOLE.....   | 1    |      |          |                                       |      |

1011.1 Road and Work Light Accessory

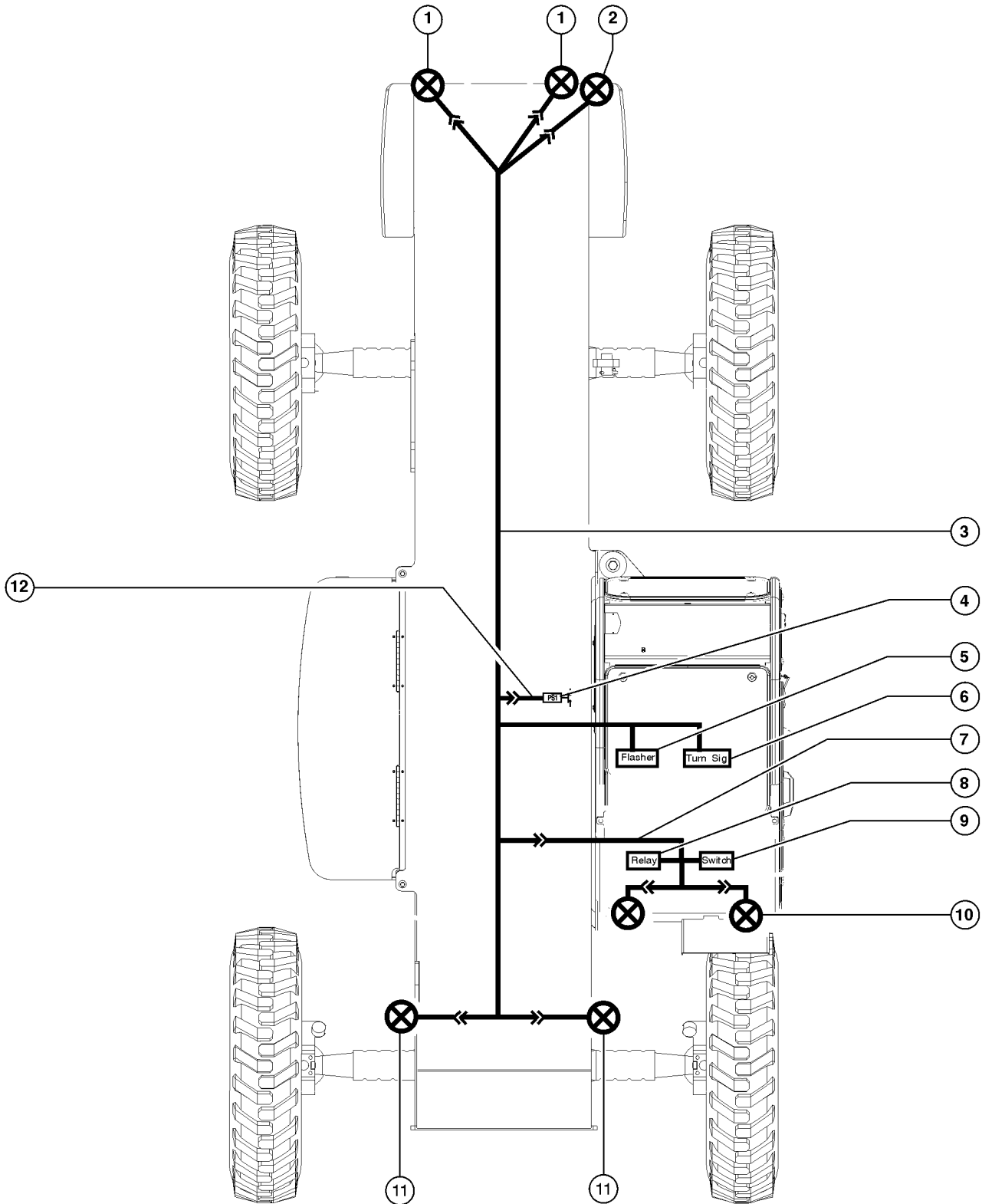


1011.1 Road and Work Light Accessory

| Item | Part No.  | Description  | Qty. | Item | Part No.  | Description                     | Qty. |
|------|-----------|--|------|------|-----------|---------------------------------|------|
| 1    | 7-213-04  | BEACON.....  | 1    | 19   | 6-5205-12 | SCREW,HHC,5/16-18X1.50,GR8..... | 2    |
| --   | 2-1355    | HARNESS,STROBE LIGHT                                   |      | 20   | 7-162-02  | CAB LIGHT.....                  | 2    |
| 2    | 123661    | SCREW,PHM,10-24X.625.....                              | 3    |      |           | <i>(road light option)</i>      |      |
| 3    | 7-289-06  | SWITCH / TURN SIGNAL.....                              | 1    | --   | 2-1354    | HARNESS,HEADLIGHT               |      |
|      |           | <i>(models with road light option)</i>                 |      |      |           | <i>(road light option)</i>      |      |
| 4    | 7-164-02  | SWITCH,LIGHTS  |      |      |           |                                 |      |
|      |           | <i>(models with road light option)</i>                 |      |      |           |                                 |      |
| 5    | 7-164-02  | SWITCH,LIGHTS  |      |      |           |                                 |      |
|      |           | <i>(models with work light option)</i>                 |      |      |           |                                 |      |
| 6    | 141650    | ADAPTER,04 FORB X02 MP                                 |      |      |           |                                 |      |
| 7    | 141654    | 6 FJIC SW X 6 MJIC RN X 4 ORBT                         |      |      |           |                                 |      |
| 8    | 117659    | SWITCH,PRESS,NO,50 PSI,04                              |      |      |           |                                 |      |
|      |           | OR.....  | 1    |      |           |                                 |      |
|      |           | <i>(brake pressure switch) (refer to 923.1)</i>        |      |      |           |                                 |      |
| --   | 117659    | SWITCH,PRESS,NO,50 PSI,04 OR                           |      |      |           |                                 |      |
| --   | 141650    | ADAPTER,04 FORB X02 MP                                 |      |      |           |                                 |      |
| --   | 141651    | ADAPTER HARNESS,BRAKE LT PS                            |      |      |           |                                 |      |
| --   | 141653    | KIT,BRAKE LT PS-FIELD REPLACE                          |      |      |           |                                 |      |
| 9    | 29868     | SPRING CLIP,3/8-16.....                                | 1    |      |           |                                 |      |
| 10   | 19934     | WASHER,3/8   |      |      |           |                                 |      |
|      |           | HARD.STEEL-FLAT,USS.....                               | 1    |      |           |                                 |      |
| 11   | 94195     | SCREW,HHC,3/8-16 X .75,GR 8.....                       | 1    |      |           |                                 |      |
| 12   | 7-289-05  | LIGHT,HEADLIGHT.....                                   | 1    |      |           |                                 |      |
|      |           | <i>(models with road light option)</i>                 |      |      |           |                                 |      |
| 13   | 6-6286-04 | NUT.....   | 6    |      |           |                                 |      |
| 14   | 6-6284-05 | SCREW,RLM,10-24-3/4.....                               | 6    |      |           |                                 |      |
| 15A  | 7-289-07  | LIGHT,BACK-UP,CLEAR.....                               | 1    |      |           |                                 |      |
|      |           | <i>(models with work light option)</i>                 |      |      |           |                                 |      |
| --   | 2-1261    | HARNESS,TAIL&BACK UP LIGHT                             |      |      |           |                                 |      |
| --   | 34052     | RELAY,SPDT,12V(AUTO) PLUG IN**                         |      |      |           |                                 |      |
| --   | 7-319-15  | CLAMP,ADHESIVE BACK,3/8                                |      |      |           |                                 |      |
| 15B  | 7-289-04  | LIGHT,BRAKE,TAIL,TURN                                  |      |      |           |                                 |      |
|      |           | <i>(red, models with road light option)</i>            |      |      |           |                                 |      |
| 16A  | 7-289-04  | LIGHT,BRAKE,TAIL,TURN                                  |      |      |           |                                 |      |
|      |           | <i>(models with roadlight and/or worklight option)</i> |      |      |           |                                 |      |
| 17   | 7-289-03  | LIGHT,PEDESTAL BLINKER                                 |      |      |           |                                 |      |
|      |           | AMBER.....   | 2    |      |           |                                 |      |
|      |           | <i>(includes fasteners)(road light option)</i>         |      |      |           |                                 |      |
| --   | 123927    | HARNESS,ROAD LIGHT,TURN SIG                            |      |      |           |                                 |      |
| --   | 4-2365    | HARNESS,TURN/TAIL/HAZARD,TH                            |      |      |           |                                 |      |
|      |           | <i>(road light option)</i>                             |      |      |           |                                 |      |
| 18   | 6886      | WASHER,LOCK,.313.....                                  | 2    |      |           |                                 |      |



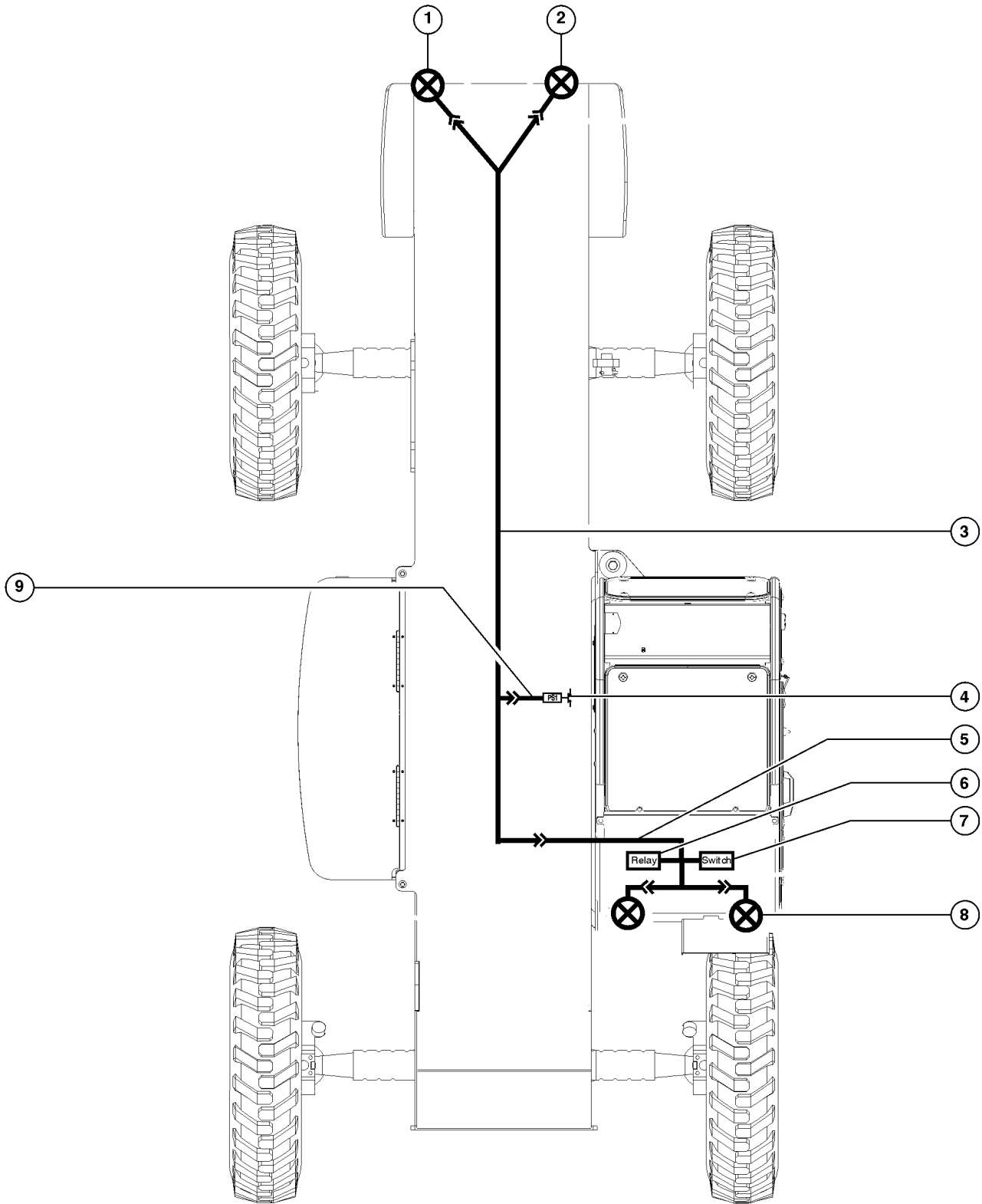
1012.1 Road Light Harnesses



1012.1 Road Light Harnesses

| Item | Part No. | Description                            | Qty. |
|------|----------|--|------|
| 1    | 7-289-04 | LIGHT,BRAKE,TAIL,TURN.....             | 2    |
| 2    | 7-289-05 | LIGHT,HEADLIGHT.....                   | 1    |
| 3    | 4-2365   | HARNESS,TURN/TAIL/HAZARD,TH.1          |      |
| 4    | 117659   | SWITCH,PRESS,NO,50 PSI,04<br>OR.....   | 1    |
| 5    | 7-314-01 | FLASHER.....                           | 1    |
| 6    | 7-125-06 | SWITCH, TURN SIGNAL.....               | 1    |
| 7    | 2-1354   | HARNESS,HEADLIGHT.....                 | 1    |
| 8    | 34052    | RELAY,SPDT,12V(AUTO) PLUG<br>IN**..... | 1    |
| 9    | 7-164-02 | SWITCH,LIGHTS.....                     | 1    |
| 10   | 7-162-02 | CAB LIGHT.....                         | 2    |
| 11   | 7-289-03 | LIGHT,PEDESTAL BLINKER<br>AMBER.....   | 2    |
| 12   | 141652   | HARNESS,TURN SIGNAL,PS.....            | 1    |

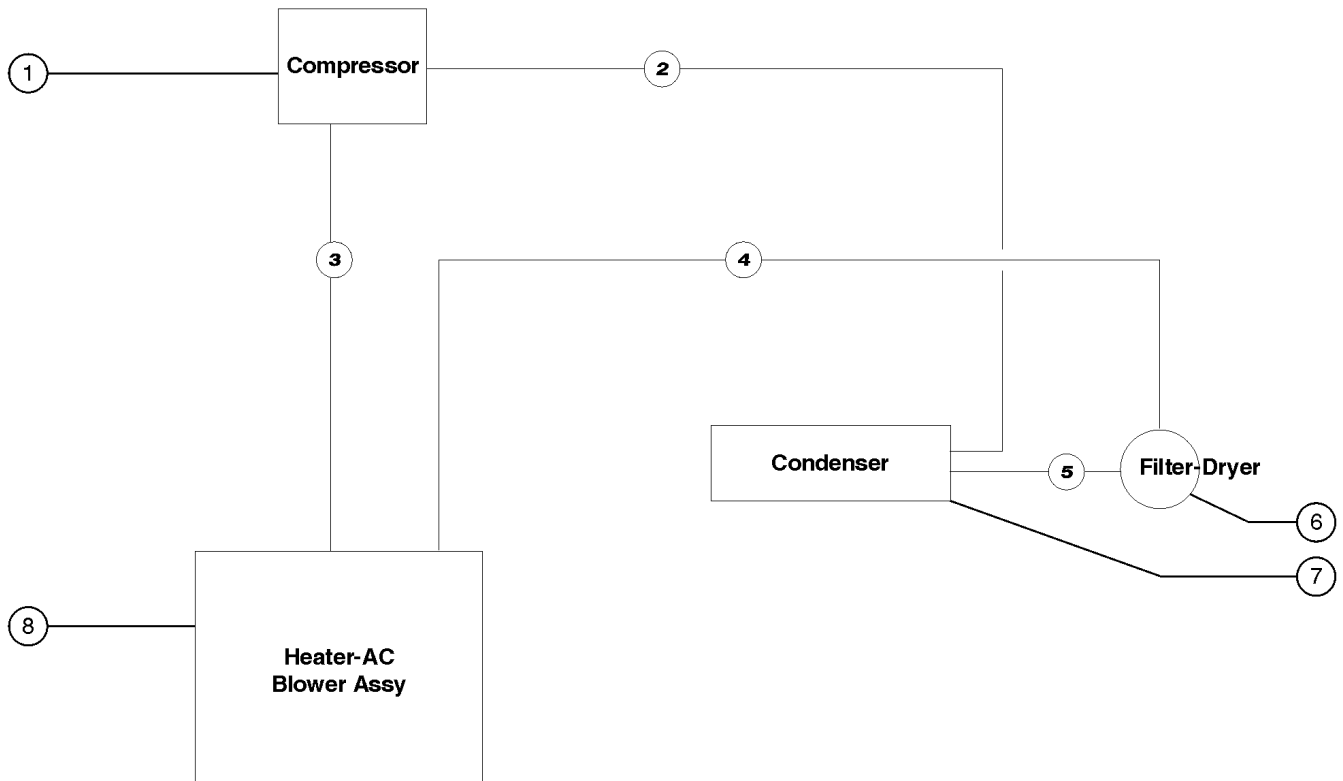
1013.1 Work Light Harnesses



1013.1 Work Light Harnesses

| Item | Part No. | Description                            | Qty. |
|------|----------|--|------|
| 1    | 7-289-07 | LIGHT,BACK-UP,CLEAR.....               | 1    |
| 2    | 7-289-04 | LIGHT,BRAKE, TAIL,TURN.....            | 1    |
| 3    | 4-2365   | HARNESS,TURN/TAIL/HAZARD,TH.1          |      |
| 4    | 117659   | SWITCH,PRESS,NO,50 PSI,04<br>OR.....   | 1    |
| 5    | 2-1354   | HARNESS,HEADLIGHT.....                 | 1    |
| 6    | 34052    | RELAY,SPDT,12V(AUTO) PLUG<br>IN**..... | 1    |
| 7    | 7-164-02 | SWITCH,LIGHTS.....                     | 1    |
| 8    | 7-162-02 | CAB LIGHT.....                         | 2    |
| 9    | 141652   | HARNESS,TURN SIGNAL,PS.....            | 1    |

1014.1 HVAC Components

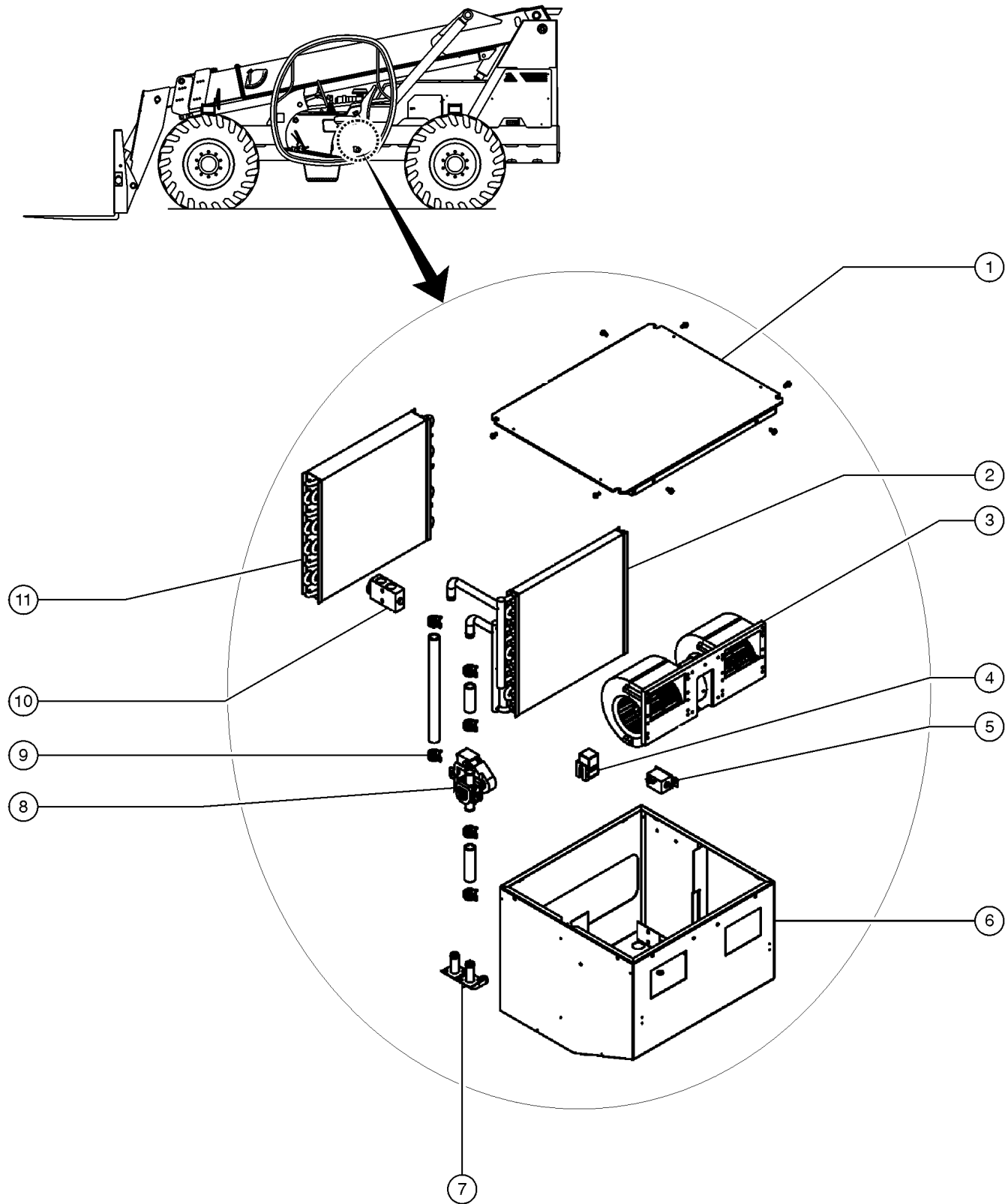




## 1014.1 HVAC Components

| Item | Part No. | Description   | Qty. |
|------|----------|---|------|
| 1A   | T113835  | COMPRESSOR,AC,PERK1104  |      |
| --   | T113838  | V-BELT,AC COMP,PERK1104   |      |
| 1B   | 123846   | KIT,AC COMPRESSOR,JD,644/8XX  |      |
| --   | 229025   | BELT,FAN,DEERE 6/8K T3,AC   |      |
| 2A   | T113840  | HOSE ASSY,AC,COMP/COND,PERK   |      |
| 2B   | 130076   | HOSE ASSY,AC,COMP/COND,JD   |      |
| 3A   | T113841  | HOSE ASSY,AC,EVAP/COMP,PERK   |      |
| 3B   | 130077   | HOSE ASSY,AC,EVAP/COMP,JD   |      |
| 4    | T113839  | HOSE ASSY,AC,DRIER/EVAP   |      |
| 5    | 130078   | HOSE ASSY,AC,COND/DRIER   |      |
| 6    | 123861   | RECEIVER/DRIER,AC,644/8XX   |      |
| --   | 123858   | SWITCH,PRESSURE,AC,644/8XX  |      |
| 7    |          | Ref. Condenser<br><i>(refer to 1016.1)</i>  |      |
| 8    |          | Ref. Heater-AC, Blower Assy<br><i>(refer to 1015.1)</i>   |      |
| --   | 235126   | HEAT/AC DUCTING GASKET KIT<br><i>Contents of kit are included in<br/>7-181-16. Service part only.</i> |      |
| --   | 7-181-16 | DUCTING KIT, 3"DIAMETER<br><i>Gasket kit only is 235136</i>   |      |

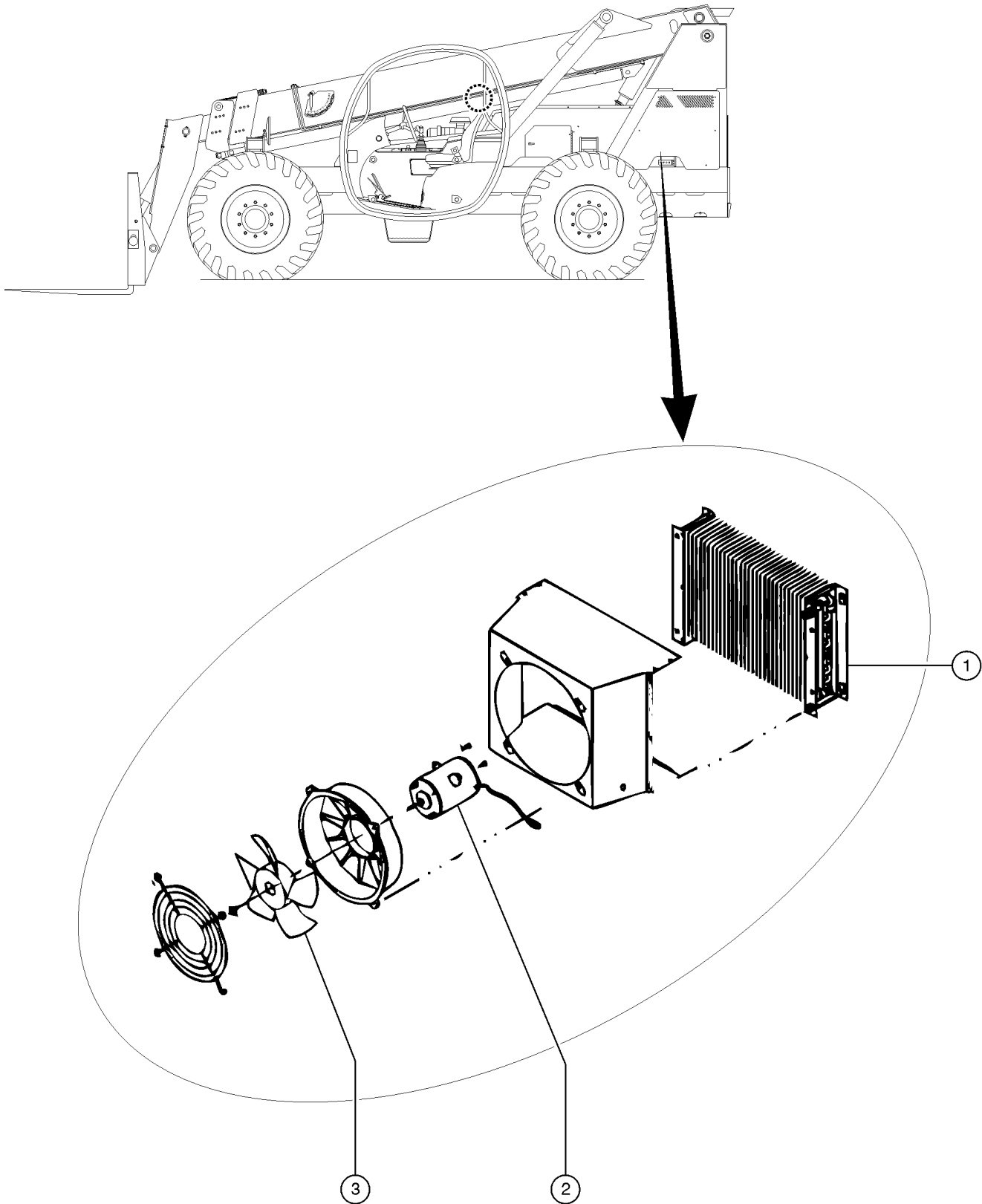
1015.1 HVAC Unit



A TEREX BRAND

| Item | Part No. | Description  | Qty. |
|------|----------|--|------|
| --   | 123910   | KIT,AC BRACKETS,644/8XX<br><i>(includes condenser and dryer<br/>bracket)</i> |      |
| 1    | 231144   | COVER  |      |
| 2    | 231142   | HEATER COIL  |      |
| 3    | 231140   | BLOWER, 12V  |      |
| 4    | 231145   | RELAY, 12V   |      |
| 5    | 231146   | THERMOSTAT   |      |
| 6    | 231143   | CASING   |      |
| 7    | 231151   | COPPER TUBE, 5/8   |      |
| 8    | 231149   | MOTORIZED VALVE  |      |
| 9    | 231150   | CLAMP  |      |
| 10   | 231148   | BLOCK VALVE  |      |
| 11   | 231141   | EVAPORATOR COIL  |      |

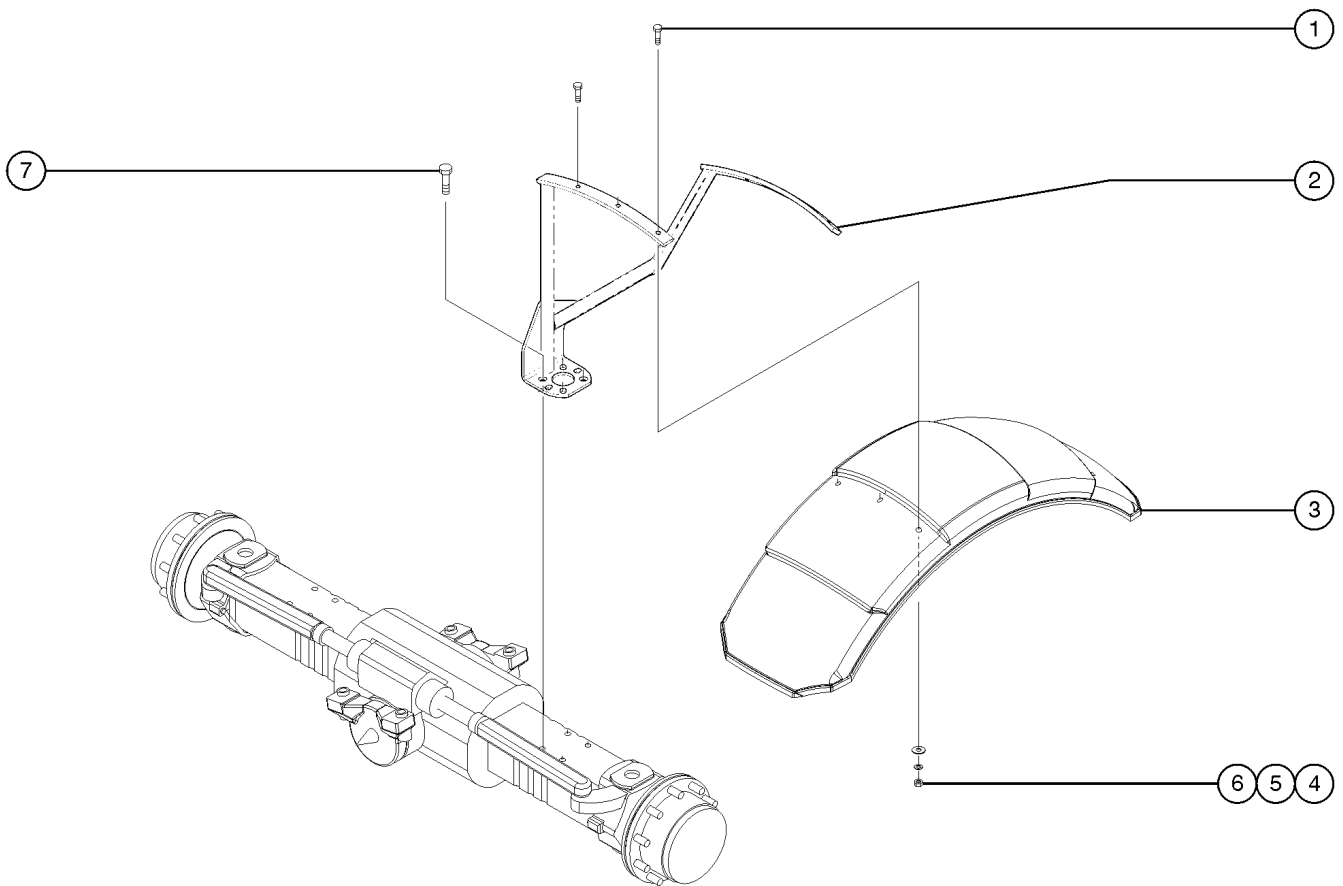
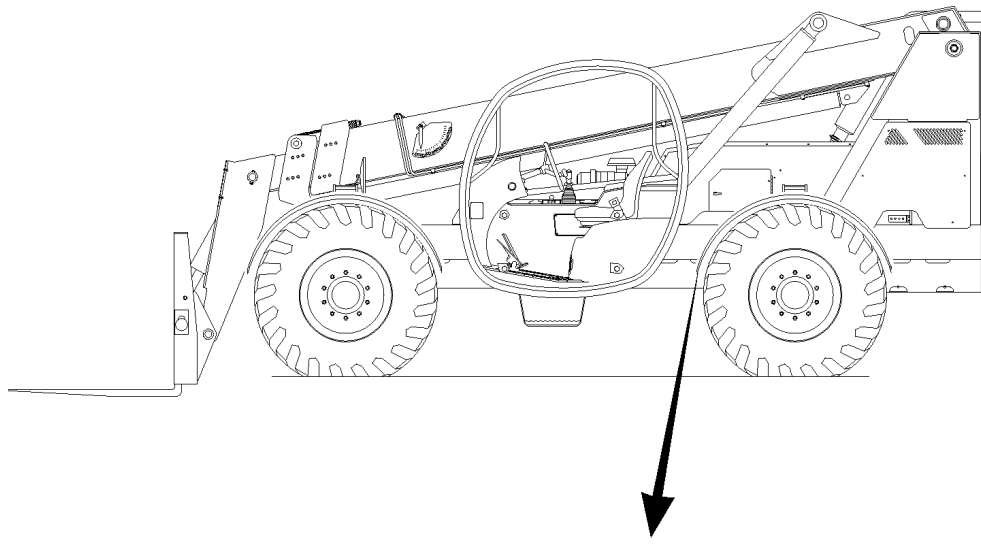
1016.1 Condenser Assembly, HVAC



1016.1 Condenser Assembly, HVAC

| Item | Part No. | Description                   | Qty. |
|------|----------|-------------------------------|------|
| 1    | 234778   | MOTOR,12V,CONDENSER,HVAC,8K.1 |      |
| 2    | 234779   | FAN,CONDENSER,HVAC,8K.....1   |      |
| 3    | 234780   | COIL,CONDENSER,HVAC,8K.....1  |      |

1017.1 Fender Assembly



1017.1 Fender Assembly

| Item | Part No.  | Description                              | Qty. |
|------|-----------|--|------|
| 1    | 6-5205-10 | SCREW,HHC,5/16-18X1.25,GR8...24          |      |
| 2A   | 150003    | WELDMENT, LH FENDER<br>SUPPORT.....2     |      |
| 2B   | 150004    | WELDMENT, RH FENDER<br>SUPPORT.....2     |      |
| 3    | 7-119-01  | FENDER,FULL WHEEL,UTILITY....4           |      |
| 4    | 6038      | NUT,HEX,5/16-18,GR8.....24               |      |
| 5    | 6886      | WASHER,LOCK, .313.....24                 |      |
| 6    | 229016    | WASHER,FENDER,5/16 X2.0 X<br>.062.....24 |      |
| 7    | 823664    | SCREW,HHC,M12-1.25X40MM,10.9,Y.16        |      |

# Part Number Index

The Part Number Index is a numeric index of all part numbers included in this manual. The index shows what page(s) the part is used on.

| Part Number | Page              | Part Number | Page           | Part Number | Page            | Part Number | Page           |
|-------------|-------------------|-------------|----------------|-------------|-----------------|-------------|----------------|
| -           | 83                | 108675      | 107            | 123153      | 145             | 123661      | 251            |
| 1-1017      | 113               | 108713      | 131            | 123161      | 101             | 123663      | 103-105        |
| 1-1024      | 81                | 108717      | 107            | 123162      | 131, 133, 139,  | 123668      | 245, 247       |
| 1-1034      | 179               | 108744      | 83             |             | 141             | 123669      | 245, 247       |
| 1-1071      | 241               | 108745      | 83             | 123168      | 129             | 123670      | 147, 149, 151, |
| 1-1072      | 241               | 108746      | 83             | 123169      | 127             |             | 163, 247       |
| 1-1073      | 241               | 108827      | 25-26          | 123174      | 133, 135        | 123671      | 157, 161, 163, |
| 1-1074      | 241               | 108828      | 25-26          | 123176      | 137, 147, 149,  |             | 247, 249       |
| 1-1094      | 81                | 108829      | 25-26          |             | 151, 161, 163,  | 123672      | 247            |
| 1-1173      | 97, 99            | 110129      | 161            |             | 247, 249        | 123673      | 159, 163, 247, |
| 1-1176      | 97, 99            | 114057      | 11             | 123177      | 135, 139, 147,  |             | 249            |
| 1-1287      | 11                | 114058      | 11             |             | 149, 151, 153,  | 123674      | 247            |
| 1-1306      | 143               | 114059      | 11             |             | 155, 247, 249   | 123677      | 103-105        |
| 1-1684      | 13                | 114062      | 11             | 123179      | 247, 249        | 123688      | 103-105        |
| 102058      | 81                | 114071      | 13             | 123180      | 247, 249        | 123758      | 247            |
| 10258       | 143               | 114072      | 13             | 123181      | 247, 249        | 123800      | 103-105        |
| 102598      | 91                | 114073      | 13             | 123184      | 127             | 123838      | 147, 149, 151, |
| 102600      | 95                | 114083      | 11             | 123185      | 127             |             | 153, 155, 247, |
| 102630      | 95                | 114086      | 11             | 123186      | 127             |             | 249            |
| 102632      | 91                | 114087      | 11             | 123187      | 127, 141        | 123839      | 104-105        |
| 102635      | 91                | 114118      | 11             | 123188      | 125             | 123840      | 103-105, 159   |
| 102638      | 91                | 115328      | 79             | 123190      | 97, 99          | 123841      | 103-105        |
| 102639      | 91                | 117043      | 145, 209       | 123192      | 137, 147, 149,  | 123842      | 103-105        |
| 102641      | 95                | 117044      | 145, 209       |             | 151, 247, 249   | 123843      | 103-105        |
| 102642      | 95                | 117046      | 99             | 123196      | 103-105, 115,   | 123846      | 257            |
| 102643      | 91                | 117048      | 99             |             | 117, 119, 121   | 123858      | 257            |
| 102644      | 91                | 117050      | 101            | 123198      | 103-105         | 123861      | 257            |
| 102645      | 95                | 117149      | 31             | 123199      | 93, 103-105     | 123910      | 259            |
| 104328      | 25-26, 241        | 117150      | 29, 31         | 123200      | 115, 117, 119,  | 123927      | 251            |
| 105695      | 229               | 117151      | 29, 31         |             | 121             | 123932      | 79, 87, 91     |
| 108097      | 26                | 117152      | 29, 31         | 123203      | 115, 117, 119,  | 1255248     | 71             |
| 108476      | 145               | 117254      | 11             |             | 121             | 13000       | 137, 147, 149, |
| 108477      | 23                | 117259      | 13             | 123221      | 231             |             | 151, 247, 249  |
| 108478      | 23                | 117260      | 13, 95         | 123222      | 231             | 130000      | 83             |
| 108479      | 23                | 117473      | 91             | 123225      | 239             | 130001      | 83             |
| 108480      | 29                | 117513      | 31             | 123232      | 25-26           | 130002      | 83             |
| 108483      | 29                | 117539      | 31             | 123245      | 231             | 130003      | 83             |
| 108489      | 15                | 117567      | 145, 209       | 123261      | 205             | 130004      | 83, 85         |
| 108491      | 15                | 117586      | 99             | 123273      | 121             | 130005      | 83             |
| 108494      | 29, 31            | 117587      | 101            | 123277      | 131             | 130006      | 83             |
| 108496      | 17                | 117589      | 11             | 123291      | 104-105         | 130007      | 83             |
| 108498      | 15                | 117659      | 229, 251, 253, | 123327      | 91              | 130009      | 83             |
| 108520      | 247, 249          |             | 255            | 123328      | 91              | 130010      | 83             |
| 108527      | 79                | 117681      | 81             | 123329      | 91              | 130011      | 83             |
| 108528      | 79                | 117694      | 111, 171, 173  | 123331      | 91              | 130012      | 83             |
| 108529      | 97                | 117923      | 23             | 123337      | 93              | 130015      | 83             |
| 108530      | 101               | 117926      | 25-26          | 123338      | 93              | 130016      | 89             |
| 108532      | 83                | 123079      | 93             | 123339      | 93              | 130017      | 89             |
| 108540      | 83                | 123080      | 95             | 123351      | 91              | 130018      | 83             |
| 108541      | 83                | 123082      | 93             | 123362      | 95              | 130019      | 83             |
| 108542      | 83                | 123084      | 91             | 123363      | 95              | 130021      | 85             |
| 108543      | 83                | 123085      | 91             | 123425      | 104-105         | 130022      | 85, 87         |
| 108548      | 87                | 123086      | 95             | 123445      | 241             | 130023      | 85             |
| 108549      | 83                | 123088      | 91             | 123548      | 129             | 130024      | 85             |
| 108556      | 83                | 123089      | 95             | 123556      | 29, 31          | 130025      | 85             |
| 108558      | 147, 149, 151,    | 123091      | 91             | 123559      | 15, 29, 31, 145 | 130026      | 85             |
|             | 247, 249          | 123092      | 91             | 123561      | 103-105         | 130027      | 85             |
| 108559      | 247, 249          | 123098      | 95             | 123562      | 104-105         | 130028      | 89             |
| 108560      | 247, 249          | 123105      | 91             | 123565      | 145             | 130029      | 87             |
| 108561      | 147, 149, 151     | 123114      | 19, 179        | 123567      | 103-105, 115,   | 130030      | 87             |
| 108562      | 147, 149, 151     | 123131      | 145            |             | 117, 119, 121   | 130031      | 87             |
| 108570      | 109               | 123133      | 103-105        | 123568      | 115, 117, 119,  | 130032      | 87             |
| 108576      | 23, 147, 149, 151 | 123134      | 103-105        |             | 121             | 130033      | 87             |
| 108579      | 79                | 123135      | 103-105        | 123569      | 115, 117, 119,  | 130034      | 87             |
| 108581      | 29, 31            | 123136      | 103-105        |             | 121             | 130035      | 87             |
| 108585      | 107               | 123137      | 103-105        | 123572      | 103-105, 107    | 130036      | 87             |
| 108590      | 13                | 123138      | 103-105, 247,  | 123573      | 103-105, 109    | 130037      | 87, 91         |
| 108591      | 11                |             | 249            | 123574      | 103-105         | 130038      | 87             |
| 108612      | 101               | 123142      | 23             | 123576      | 145             | 130039      | 87             |
| 108654      | 15                | 123145      | 29             | 123577      | 15, 17          | 130040      | 87             |
| 108666      | 171               | 123147      | 19, 179        | 123580      | 241, 247        | 130041      | 89             |
| 108667      | 143               | 123148      | 145            | 123581      | 241             | 130042      | 89             |
| 108670      | 103-105           | 123149      | 21             | 123595      | 83              | 130043      | 89             |
| 108672      | 165               | 123150      | 21             | 123596      | 19              | 130045      | 89             |
| 108674      | 15                | 123151      | 19             | 123651      | 113             | 130046      | 89             |



| Part Number | Page                         | Part Number | Page                                      | Part Number | Page                                 | Part Number | Page  |
|-------------|------------------------------|-------------|---|-------------|--------------------------------------|-------------|---|
| 130048      | 89                           | 141922      | 23  | 226612      | 91                                   | 37505       | 81, 113   |
| 130076      | 257                          | 141946      | 105                                       | 226614      | 95                                   | 38509       | 143   |
| 130077      | 257                          | 141950      | 25-26                                     | 226615      | 95                                   | 4-1074-8B   | 131, 135  |
| 130078      | 257                          | 14392       | 91  | 226616      | 95                                   | 4-1105-11   | 11  |
| 130294      | 103-105, 109, 233            | 14723       | 137, 147, 149, 151, 155, 247, 249         | 226617      | 95                                   | 4-1105-12   | 11  |
| 130295      | 103-105, 109                 |             |   | 226618      | 95                                   | 4-1105-13   | 11  |
| 130296      | 231                          | 150003      | 263                                       | 226620      | 95                                   | 4-1105-14   | 11  |
| 130297      | 231                          | 150004      | 263                                       | 226624      | 91                                   | 4-1105-19   | 13  |
| 130298      | 237                          | 150086      | 79  | 226625      | 93                                   | 4-1118      | 241   |
| 130312      | 25-26                        | 15513       | 119, 121                                  | 226626      | 93                                   | 4-1118-16   | 241   |
| 130339      | 95                           | 16073       | 161                                       | 226627      | 95                                   | 4-1170      | 241   |
| 130345      | 103-105                      | 161801      | 233                                       | 226628      | 95                                   | 4-1292      | 241   |
| 130351      | 219                          | 18730       | 131, 135                                  | 226639      | 91                                   | 4-1401-10   | 13  |
| 130354      | 87                           | 19506       | 103-105                                   | 226640      | 91                                   | 4-1401-2    | 11  |
| 130386      | 127, 129, 133, 135           | 19934       | 19, 23, 25-26, 29, 79, 107, 145, 231, 251 | 226641      | 91                                   | 4-1401-3    | 11  |
| 130480      | 104-105                      |             |   | 226642      | 91                                   | 4-1401-8    | 11  |
| 130485      | 29, 31                       | 2-1067-10   | 241                                       | 226876      | 125                                  | 4-1525      | 25-26   |
| 130535      | 127, 141                     | 2-1067-11   | 241                                       | 226877      | 125                                  | 4-1526      | 25-26   |
| 130687      | 104-105                      | 2-1067-12   | 241                                       | 226878      | 125                                  | 4-1527      | 25-26   |
| 130688      | 104-105                      | 2-1166      | 97, 99                                    | 226879      | 125                                  | 4-1528      | 241   |
| 130689      | 104-105                      | 2-1261      | 251                                       | 226880      | 125                                  | 4-1685      | 79  |
| 130690      | 104-105                      | 2-1284      | 13  | 226881      | 125                                  | 4-1880-1    | 11  |
| 130691      | 104-105                      | 2-1290      | 13  | 227493      | 55                                   | 4-2065      | 79  |
| 130692      | 104-105                      | 2-1291      | 13  | 227784      | 213-214                              | 4-2360      | 103-105   |
| 130693      | 104-105                      | 2-1292      | 13  | 22786       | 25-26, 143                           | 4-2361      | 103-105   |
| 130694      | 104-105                      | 2-1293      | 11  | 22788       | 137                                  | 4-2363      | 103-105   |
| 130695      | 104-105                      | 2-1294      | 11  | 228986      | 183, 185                             | 4-2365      | 251, 253, 255   |
| 130696      | 104-105                      | 2-1295      | 13  | 228987      | 187                                  | 4-2367      | 103-105   |
| 130697      | 104-105                      | 2-1296      | 13  | 229015      | 26                                   | 4-2370      | 101   |
| 130698      | 104-105                      | 2-1298      | 11  | 229016      | 263                                  | 4-2371      | 97  |
| 130699      | 104-105                      | 2-1299      | 13  | 229025      | 257                                  | 4-2377      | 97  |
| 130700      | 105                          | 2-1300      | 13  | 229053      | 79, 145                              | 44662       | 127   |
| 130701      | 105                          | 2-1301      | 13  | 231132      | 91                                   | 45226       | 15, 23, 25-26, 137  |
| 130702      | 105                          | 2-1302      | 11, 13                                    | 231140      | 259                                  | 45415       | 157   |
| 130703      | 105                          | 2-1303      | 11  | 231141      | 259                                  | 45748       | 133, 135  |
| 130704      | 105                          | 2-1304      | 11  | 231142      | 259                                  | 46716       | 29, 31  |
| 130705      | 105                          | 2-1345      | 13  | 231143      | 259                                  | 47094       | 25-26, 125  |
| 130706      | 105                          | 2-1346      | 13  | 231144      | 259                                  | 47279       | 125   |
| 130707      | 105                          | 2-1347      | 13  | 231145      | 259                                  | 4828        | 15, 19, 25-26, 79, 99, 127, 131, 135, 137, 139, 141, 147, 149, 151, 161, 247, 249 |
| 130809      | 193                          | 2-1352-1    | 13  | 231146      | 259                                  | 49363       | 123   |
| 130810      | 97                           | 2-1353-1    | 13  | 231148      | 259                                  | 49364       | 237   |
| 130811      | 101                          | 2-1354      | 251, 253, 255                             | 231149      | 259                                  | 49409       | 15, 79, 85  |
| 130813      | 119, 121                     | 2-1355      | 251                                       | 231150      | 259                                  | 49816       | 91, 119, 121, 145   |
| 130814      | 119, 121                     | 21130       | 113                                       | 231151      | 259                                  | 49818       | 115, 117, 119, 121  |
| 130815      | 79                           | 214425      | 83  | 231152      | 145                                  | 49819       | 19  |
| 130816      | 79, 121                      | 214426      | 83  | 231163      | 145                                  | 5-2001-8    | 29, 31  |
| 130857      | 97                           | 21496       | 89  | 231164      | 145                                  | 5-2001-9    | 29, 31  |
| 130859      | 113                          | 21604       | 131, 135, 247, 249                        | 234778      | 261                                  | 5-2005      | 97  |
| 130870      | 119, 121                     |             |   | 234779      | 261                                  | 5-2006      | 101   |
| 130883      | 31                           | 218100      | 103-105                                   | 234780      | 261                                  | 5-2006      | 101   |
| 130884      | 31                           | 226218      | 125                                       | 234850      | 79                                   | 5-2025      | 165, 167, 171   |
| 130885      | 31                           | 226222      | 125                                       | 234953      | 79                                   | 5-2030      | 127   |
| 130913      | 79                           | 226223      | 125                                       | 235126      | 257                                  | 5-2032      | 125, 135  |
| 130914      | 79                           | 226403      | 229                                       | 235393      | 125                                  | 5-2033      | 125   |
| 130917      | 193                          | 226404      | 229                                       | 236304      | 91                                   | 5-2038      | 131, 135, 247, 249  |
| 130918      | 193                          | 226405      | 229                                       | 236305      | 91                                   | 5-2039      | 137   |
| 130919      | 193                          | 226406      | 229                                       | 238363      | 123                                  | 5-2040-243  | 129, 135  |
| 130920      | 193                          | 226407      | 229                                       | 27826       | 83                                   | 5-2040-257  | 127, 135  |
| 130921      | 193                          | 226435      | 91  | 28646       | 241                                  | 5-2041-1    | 137   |
| 130922      | 193                          | 226436      | 93  | 29752       | 89                                   | 5-2041-11   | 23  |
| 130943      | 79                           | 226438      | 91  | 29868       | 29, 31, 129, 137, 145, 247, 249, 251 | 5-2041-18   | 127, 141  |
| 13775       | 127                          | 226440      | 91  |             |                                      | 5-2041-19   | 133, 135  |
| 138029      | 109                          | 226441      | 91  | 3-1213      | 113                                  | 5-2041-2    | 131, 135, 247, 249  |
| 13854       | 25-26, 241                   | 226442      | 91  | 3-1257-1    | 11                                   | 5-2041-20   | 241   |
| 13918       | 15, 23, 25-26                | 226451      | 93  | 3-1349      | 97, 99                               | 5-2041-21   | 241   |
| 14033       | 139, 147, 149, 151, 247, 249 | 226453      | 93  | 3-1360-1    | 15, 85                               | 5-2041-22   | 25-26   |
| 141309      | 127, 141                     | 226454      | 35  | 3-1360-2    | 15, 85                               | 5-2041-25   | 25-26   |
| 141650      | 229, 251                     | 226456      | 35  | 3-1376      | 145, 161, 163                        | 5-2041-31   | 23  |
| 141651      | 251                          | 226460      | 91  | 3-1390      | 19                                   |             |   |
| 141652      | 253, 255                     | 226464      | 91  | 30143       | 21                                   |             |   |
| 141653      | 229, 251                     | 226466      | 91  | 34052       | 251, 253, 255                        |             |   |
| 141654      | 229, 251                     | 226570      | 213-214                                   | 34550       | 15, 129                              |             |   |
| 141788      | 109                          | 226574      | 91  | 36456       | 137, 147, 149, 151                   |             |   |
|             |                              | 226582      | 239                                       |             |                                      |             |   |
|             |                              | 226606      | 26  | 36603       | 127, 141                             |             |   |

## Part Number Index (continued)

| Part Number | Page              | Part Number | Page             | Part Number | Page           | Part Number | Page              |
|-------------|-------------------|-------------|------------------|-------------|----------------|-------------|-------------------|
| 5-2041-32   | 241               | 6-5208-20   | 79, 85           | 6-6450-20   | 85, 175, 177   | 6-7003-40   | 147, 149, 151,    |
| 5-2042-1    | 143               | 6-5208-30   | 23, 25-26, 241   | 6-6450-27   | 145            |             | 161               |
| 5-2044      | 143               | 6-5212-48   | 15, 23           | 6-6450-36   | 171            | 6-7003-56   | 163               |
| 5-2046-1    | 127               | 6-5220-20   | 26               | 6-6452-03   | 163, 247, 249  | 6-7003-74   | 163, 247          |
| 5-2046-3    | 131, 135          | 6-5306-14   | 15, 85           | 6-6452-04   | 147, 149, 151, | 6-7003-90   | 161               |
| 5-2046-4    | 125, 135, 143     | 6-5603-06   | 239              |             | 159            | 6-7004-256  | 145               |
| 5-2048-1    | 125               | 6-5605-06   | 175, 177         | 6-6452-06   | 147, 149, 151  | 6-7004-352  | 159               |
| 5-2067-12   | 29, 31            | 6-5606-04   | 145              | 6-6452-08   | 145            | 6-7004-44   | 161               |
| 5-2070      | 23                | 6-5606-14   | 147, 149, 151,   | 6-6452-17   | 147, 149, 151  | 6-7005-120  | 147, 149, 151     |
| 5-2079      | 161               |             | 195              | 6-6452-19   | 157, 161, 169  | 6-7005-158  | 153               |
| 5-2095      | 129, 137          | 6-5606-22   | 147, 149, 151,   | 6-6453-03   | 153, 155       | 6-7005-172  | 147, 149, 151     |
| 5-2096      | 137, 247, 249     |             | 153, 155, 197,   | 6-6453-04   | 145, 147, 149, | 6-7005-180  | 147, 149, 151     |
| 5-2099-7    | 131, 133, 135     |             | 199, 201, 203    |             | 151, 157, 161, | 6-7005-184  | 153, 155          |
| 5-2100-6    | 127, 131, 133,    | 6-6201-04   | 109, 145, 157,   |             | 163, 171, 173  | 6-7005-188  | 147, 149, 151     |
|             | 135, 139, 141     |             | 161, 167, 171,   | 6-6453-07   | 159, 161, 247, | 6-7005-200  | 147, 149, 151     |
| 5-2101-4    | 131, 133, 135     |             | 233, 247, 249    |             | 249            | 6-7005-204  | 155               |
| 5-2129      | 127, 131, 135,    | 6-6201-06   | 15               | 6-6453-09   | 147, 149, 151, | 6-7005-32   | 147, 149, 151     |
|             | 139               | 6-6201-10   | 15               |             | 159, 161       | 6-7006-37   | 85, 175, 177      |
| 5-2131      | 25-26, 125        | 6-6205-05   | 101, 107         | 6-6453-10   | 145            | 6-7014-184  | 247, 249          |
| 5-2132-6    | 139, 141          | 6-6205-06   | 23               | 6-6453-11   | 147, 149, 151  | 6-7014-768  | 147, 149, 151     |
| 5-2133-6    | 127, 141          | 6-6206-20   | 241              | 6-6453-12   | 147, 149, 151, | 6-7014-792  | 247, 249          |
| 5-2134      | 127, 141          | 6-6206-24   | 141, 143         |             | 153, 155       | 6-7022-100  | 171, 173          |
| 5-2135      | 127, 141          | 6-6208-04   | 113              | 6-6453-13   | 153, 155       | 6-7022-172  | 171               |
| 5-2136      | 137, 247, 249     | 6-6211-10   | 15               | 6-6453-15   | 85, 175, 177   | 6-7022-28   | 157               |
| 5-2137      | 127               | 6-6211-20   | 26               | 6-6453-25   | 145            | 6-7022-30   | 147, 149, 151,    |
| 5-2138      | 133, 135          | 6-6212-04   | 23, 29, 31, 81,  | 6-6454-06   | 161            |             | 153, 155, 169     |
| 5-2139      | 147, 149, 151,    |             | 97, 99, 103-105, | 6-6455-05   | 145, 157, 161, | 6-7022-34   | 157               |
|             | 247, 249          |             | 107, 109, 147,   |             | 163, 165, 167, | 6-7022-44   | 157               |
| 5-2140      | 147, 149, 151     |             | 149, 151, 157,   | 6-6455-15   | 157, 165, 167  | 6-7022-60   | 147, 149, 151,    |
| 5-2142      | 247, 249          |             | 163, 167, 171,   | 6-6457-03   | 147, 149, 151, |             | 157, 165, 167,    |
| 50793       | 135, 147, 149,    |             | 231, 233, 237    |             | 153, 155       | 6-7022-88   | 171               |
|             | 151, 153          | 6-6212-08   | 79, 85, 239      | 6-6457-05   | 147, 149, 151, | 6-7023-120  | 157               |
| 5224        | 25-26, 137        | 6-6212-10   | 15               |             | 153, 155, 169  | 6-7023-28   | 171, 173          |
| 5365        | 89                | 6-6214-06   | 147, 149, 151,   | 6-6457-06   | 145            | 6-7023-318  | 159               |
| 53909       | 15                |             | 153, 155, 195,   | 6-6457-10   | 145            | 6-7023-32   | 157, 163, 165,    |
| 5397        | 25-26, 125        |             | 197, 199, 201,   | 6-6459-01   | 175            |             | 167               |
| 54177       | 145               |             | 203              | 6-6475-07   | 247, 249       | 6-7023-40   | 247, 249          |
| 56123       | 89                | 6-6243-06   | 127, 129, 133,   | 6-6476-07   | 147, 149, 151  | 6-7023-62   | 157, 161, 163,    |
| 56912       | 23, 29, 31, 135,  |             | 135              | 6-6480-03   | 157            |             | 165, 167, 171,    |
|             | 147, 149, 151     | 6-6252-04   | 175, 177         | 6-6480-07   | 147, 149, 151  |             | 173, 247, 249     |
| 57201       | 101, 103-105,     | 6-6252-07   | 79               | 6-6481-03   | 171, 173       | 6-7023-74   | 247               |
|             | 107, 171, 173,    | 6-6252-09   | 79               | 6-6481-05   | 173            | 6-7024-388  | 159               |
|             | 175, 177          | 6-6252-20   | 179, 181         | 6-6481-07   | 147, 149, 151  | 6-7025-36   | 145, 147, 149,    |
| 58322       | 103-105           | 6-6275-04   | 143              | 6-6482-03   | 171, 173       |             | 151, 161, 163     |
| 58566       | 83                | 6-6284-05   | 251              | 6-6482-05   | 171, 173       | 6-7033-336  | 161               |
| 6-2524-10   | 25-26, 143        | 6-6286-05   | 231              | 6-6485-03   | 147, 149, 151  | 6-7045-44   | 85, 175, 177      |
| 6-4516-24   | 183, 185, 187     | 6-6400-18   | 177              | 6-6486-01   | 171, 173       | 6-7088-43   | 145               |
| 6-4524-32   | 183, 185          | 6-6400-19   | 175, 177         | 6-6495-07   | 171            | 6-7156-234  | 145               |
| 6-5204-04   | 81, 104-105,      | 6-6402-02   | 165, 167, 171,   | 6-6600-14   | 143            | 6-7801-132B | 21                |
|             | 107, 109, 115,    |             | 173              | 6-7002-100  | 147, 149, 151, | 6-7802-88B  | 21                |
|             | 117, 119, 121,    | 6-6406-04   | 81               |             | 163, 171, 173  | 6-8108-55   | 113               |
|             | 231, 233, 235     | 6-6413-03   | 175              | 6-7002-17   | 147, 149, 151, | 6-8112-35   | 15, 79, 85        |
| 6-5204-06   | 23, 29, 31, 107,  | 6-6422-01   | 81, 179          |             | 157            | 6-8506-40   | 235               |
|             | 111, 113, 145,    | 6-6423-07   | 179              | 6-7002-204  | 157, 165, 167  | 6-8508-30   | 235               |
|             | 147, 149, 151,    | 6-6423-08   | 179              | 6-7002-210  | 171, 173       | 6-8510-40   | 15, 85            |
|             | 157, 171, 173,    | 6-6423-18   | 175, 177         | 6-7002-244  | 157            | 6-8514-25   | 81, 113           |
|             | 231               | 6-6424-05   | 179              | 6-7002-26   | 147, 149, 151, | 6-9101-06   | 235               |
| 6-5204-08   | 23, 97, 99        | 6-6435-03   | 165, 167, 171,   |             | 157            | 6-9101-08   | 113               |
| 6-5204-10   | 104-105, 109,     |             | 173              | 6-7002-276  | 157            | 6-9101-12   | 239               |
|             | 231, 233          | 6-6436-01   | 145              | 6-7002-34   | 157, 169       | 6-9105-08   | 235               |
| 6-5204-12   | 109, 161, 231,    | 6-6437-04   | 175              | 6-7002-62   | 163            | 6-9111-08   | 113               |
|             | 233, 247, 249     | 6-6438-04   | 175              | 6-7002-74   | 161            | 6-9111-10   | 15, 85            |
| 6-5204-14   | 157, 161, 163     | 6-6440-02   | 171, 173         | 6-7002-84   | 163            | 6-9605-720  | 179               |
| 6-5204-18   | 167               | 6-6450-03   | 171              | 6-7002-86   | 163            | 6-9611-320  | 175               |
| 6-5204-30   | 171               | 6-6450-05   | 147, 149, 151,   | 6-7003-100  | 171, 173       | 6-9611-448  | 177               |
| 6-5205-08   | 79, 107, 171, 173 |             | 153, 155, 157,   | 6-7003-130  | 171, 173       | 6-9611-464  | 175               |
| 6-5205-10   | 101, 163, 263     |             | 163, 169, 171,   | 6-7003-136  | 167            | 6-9611-512  | 177               |
| 6-5205-12   | 231, 235, 237,    |             | 173              | 6-7003-144  | 165            | 6019        | 99                |
|             | 251               | 6-6450-06   | 161, 171, 173    | 6-7003-174  | 173            |             | 15, 83, 85, 89,   |
| 6-5205-16   | 147, 149, 151,    | 6-6450-12   | 145, 159         | 6-7003-180  | 171            |             | 91, 99, 107, 145, |
|             | 161               | 6-6450-15   | 145, 147, 149,   | 6-7003-20   | 163            |             | 159, 241          |
| 6-5205-20   | 161               |             | 151, 161, 163    | 6-7003-212  | 157, 159, 165, | 6033        | 21, 26, 79, 85,   |
| 6-5205-22   | 163               | 6-6450-16   | 175, 177         |             | 167            |             | 103-105, 145,     |
| 6-5205-30   | 247, 249          | 6-6450-17   | 145, 147, 149,   | 6-7003-22   | 163            |             | 241               |
| 6-5206-16   | 79                |             | 151              | 6-7003-244  | 159            |             |                   |
| 6-5208-08   | 21                |             |                  |             |                |             |                   |

Part Number Index (continued)

| Part Number | Page  | Part Number | Page              | Part Number | Page       | Part Number | Page                   |
|-------------|---|-------------|-------------------|-------------|------------|-------------|------------------------|
| 6038        | 103-105, 163, 235, 237, 263   | 7-112-45    | 217               | 7-126-404   | 35         | 7-126-498   | 51                     |
| 6090        | 135   | 7-112-46    | 217               | 7-126-405   | 35         | 7-126-500   | 53                     |
| 6091        | 29, 31, 97, 99, 109, 125, 133, 135, 231, 233  | 7-112-47    | 217               | 7-126-407   | 35         | 7-126-506   | 57                     |
| 6097        | 15, 31, 83, 107, 139, 147, 149, 151, 247, 249   | 7-112-48    | 217               | 7-126-409   | 35         | 7-126-507   | 57                     |
| 61100-2400  | 145   | 7-112-49    | 217               | 7-126-410   | 35, 43     | 7-126-512   | 57                     |
| 6146        | 115, 117, 119, 121, 231   | 7-112-50    | 219               | 7-126-411   | 37         | 7-126-517   | 79, 85, 145            |
| 6198        | 23, 25-26, 125, 137, 143  | 7-112-51    | 217               | 7-126-412   | 37         | 7-126-518   | 37                     |
| 62428       | 91  | 7-112-52    | 217               | 7-126-413   | 37         | 7-126-519   | 43                     |
| 6356        | 81, 104-105, 107, 111, 113, 115, 117, 119, 121, 145, 157, 161, 163, 167, 171, 173, 247, 249 | 7-112-53    | 217               | 7-126-414   | 37         | 7-126-520   | 43                     |
| 64154       | 161   | 7-112-54    | 217               | 7-126-415   | 37         | 7-126-521   | 43                     |
| 6605        | 127, 141  | 7-112-55    | 217               | 7-126-416   | 37         | 7-126-522   | 43                     |
| 6638        | 125, 135  | 7-112-56    | 217               | 7-126-417   | 37         | 7-126-54    | 59                     |
| 6886        | 79, 103-105, 159, 161, 163, 251, 263  | 7-112-57    | 217               | 7-126-418   | 37         | 7-126-60    | 59                     |
| 6889        | 29, 31, 104-105   | 7-112-58    | 217               | 7-126-419   | 37         | 7-126-63    | 57                     |
| 7-101-04    | 143   | 7-112-59    | 217               | 7-126-420   | 37         | 7-126-64    | 57                     |
| 7-109-02    | 101   | 7-112-60    | 217               | 7-126-421   | 37         | 7-126-671   | 35                     |
| 7-109-03    | 101   | 7-112-61    | 217               | 7-126-422   | 39         | 7-126-684   | 33                     |
| 7-109-04    | 101   | 7-112-62    | 217               | 7-126-423   | 39         | 7-126-688   | 33                     |
| 7-109-14    | 101   | 7-112-63    | 79, 145, 217, 219 | 7-126-424   | 39         | 7-126-767   | 79, 91                 |
| 7-109-16    | 101   | 7-118-03    | 145, 209          | 7-126-425   | 39         | 7-126-768   | 55                     |
| 7-109-17    | 101   | 7-118-05    | 209               | 7-126-428   | 39         | 7-126-772   | 53                     |
| 7-110-02    | 171, 173  | 7-118-06    | 209               | 7-126-429   | 39         | 7-126-773   | 55                     |
| 7-110-03    | 171, 173  | 7-118-07    | 209               | 7-126-431   | 39, 45     | 7-126-774   | 55                     |
| 7-112-05    | 85  | 7-118-08    | 209               | 7-126-432   | 39         | 7-126-775   | 55                     |
| 7-112-07    | 217   | 7-118-09    | 209               | 7-126-434   | 41         | 7-126-776   | 55                     |
| 7-112-08    | 217   | 7-119-01    | 263               | 7-126-435   | 41         | 7-126-777   | 55                     |
| 7-112-09    | 217   | 7-120-11    | 113               | 7-126-436   | 41         | 7-126-778   | 55                     |
| 7-112-10    | 217   | 7-121-01    | 19, 179, 181      | 7-126-437   | 41         | 7-126-779   | 55                     |
| 7-112-11    | 217   | 7-121-02    | 19, 179, 181      | 7-126-438   | 41         | 7-126-780   | 55                     |
| 7-112-12    | 217   | 7-121-07    | 19, 179           | 7-126-439   | 41         | 7-126-92    | 33, 35                 |
| 7-112-13    | 219   | 7-121-08    | 179               | 7-126-440   | 41         | 7-128-01    | 26                     |
| 7-112-14    | 219   | 7-121-09    | 179               | 7-126-441   | 41         | 7-128-02    | 26                     |
| 7-112-15    | 219   | 7-125-05    | 103-105           | 7-126-442   | 43         | 7-128-11    | 26                     |
| 7-112-16    | 219   | 7-125-06    | 253               | 7-126-443   | 43         | 7-128-12    | 26                     |
| 7-112-17    | 219   | 7-126-04    | 33, 35            | 7-126-444   | 43         | 7-128-15    | 26                     |
| 7-112-18    | 219   | 7-126-05    | 35                | 7-126-445   | 43         | 7-128-16    | 26                     |
| 7-112-19    | 219   | 7-126-215   | 43                | 7-126-446   | 43         | 7-132-108   | 107                    |
| 7-112-20    | 219   | 7-126-233   | 37                | 7-126-448   | 43         | 7-132-124   | 239                    |
| 7-112-21    | 219   | 7-126-234   | 37                | 7-126-450   | 43         | 7-132-136   | 235                    |
| 7-112-22    | 219   | 7-126-265   | 35                | 7-126-451   | 43         | 7-132-138   | 235                    |
| 7-112-23    | 219   | 7-126-270   | 35                | 7-126-453   | 43         | 7-132-145   | 109, 231               |
| 7-112-25    | 219   | 7-126-277   | 37                | 7-126-455   | 43         | 7-132-146   | 109, 233               |
| 7-112-26    | 219   | 7-126-307   | 53                | 7-126-456   | 43         | 7-132-147   | 103-105, 107, 115, 117 |
| 7-112-27    | 219   | 7-126-33    | 35                | 7-126-457   | 45         | 7-132-148   | 107                    |
| 7-112-28    | 219   | 7-126-349   | 43                | 7-126-458   | 45         | 7-132-149   | 107                    |
| 7-112-29    | 219   | 7-126-350   | 43                | 7-126-459   | 45         | 7-132-150   | 107                    |
| 7-112-30    | 219   | 7-126-355   | 33                | 7-126-460   | 45         | 7-132-151   | 107                    |
| 7-112-31    | 219   | 7-126-356   | 35                | 7-126-461   | 45         | 7-132-152   | 107                    |
| 7-112-32    | 219   | 7-126-357   | 35                | 7-126-464   | 45         | 7-132-153   | 107                    |
| 7-112-33    | 219   | 7-126-358   | 35                | 7-126-465   | 47         | 7-132-154   | 107                    |
| 7-112-34    | 219   | 7-126-359   | 35                | 7-126-466   | 47         | 7-132-155   | 107                    |
| 7-112-35    | 219   | 7-126-360   | 37                | 7-126-468   | 47, 49, 51 | 7-132-156   | 107                    |
| 7-112-36    | 219   | 7-126-361   | 43                | 7-126-469   | 47         | 7-132-159   | 107                    |
| 7-112-37    | 219   | 7-126-362   | 43                | 7-126-470   | 47, 49, 51 | 7-132-164   | 109, 231, 233          |
| 7-112-38    | 219   | 7-126-363   | 53                | 7-126-471   | 47, 49, 51 | 7-132-166   | 107                    |
| 7-112-39    | 217   | 7-126-364   | 53                | 7-126-472   | 47, 49, 51 | 7-132-168   | 231                    |
| 7-112-40    | 219   | 7-126-365   | 53                | 7-126-473   | 47, 49, 51 | 7-132-178   | 233                    |
| 7-112-41    | 219   | 7-126-366   | 53                | 7-126-474   | 47, 49, 51 | 7-132-186   | 237                    |
| 7-112-42    | 219   | 7-126-368   | 53                | 7-126-475   | 47, 49, 51 | 7-132-188   | 231                    |
| 7-112-43    | 219   | 7-126-369   | 53                | 7-126-476   | 47, 49, 51 | 7-132-190   | 235, 237               |
| 7-112-44    | 219   | 7-126-371   | 57                | 7-126-477   | 47, 51     | 7-132-191   | 235, 237               |
|             |   | 7-126-372   | 57                | 7-126-480   | 47, 51     | 7-132-192   | 235, 237               |
|             |   | 7-126-383   | 59                | 7-126-481   | 47, 51     | 7-132-193   | 231, 233, 235, 239     |
|             |   | 7-126-385   | 33, 35            | 7-126-483   | 49         | 7-132-195   | 231                    |
|             |   | 7-126-386   | 33, 35            | 7-126-484   | 49         | 7-132-197   | 231, 237               |
|             |   | 7-126-388   | 33, 35            | 7-126-485   | 49, 51     | 7-132-198   | 235                    |
|             |   | 7-126-389   | 33                | 7-126-486   | 49         | 7-132-199   | 235                    |
|             |   | 7-126-391   | 33, 35, 43        | 7-126-487   | 49         | 7-132-200   | 237                    |
|             |   | 7-126-392   | 35                | 7-126-489   | 49         | 7-132-201   | 235                    |
|             |   | 7-126-394   | 35                | 7-126-490   | 49         | 7-132-202   | 237                    |
|             |   | 7-126-395   | 35                | 7-126-491   | 49         | 7-132-204   | 237                    |
|             |   | 7-126-399   | 35                | 7-126-493   | 51         | 7-132-205   | 235                    |
|             |   | 7-126-400   | 35                | 7-126-494   | 51         | 7-132-207   | 239                    |
|             |   | 7-126-401   | 35                | 7-126-495   | 51         | 7-132-210   | 239                    |
|             |   | 7-126-402   | 35                | 7-126-496   | 51         |             |                        |
|             |   | 7-126-403   | 35                | 7-126-497   | 51         |             |                        |



## Part Number Index (continued)

| Part Number | Page                    | Part Number | Page                    | Part Number | Page               | Part Number | Page           |
|-------------|-------------------------|-------------|-------------------------|-------------|--------------------|-------------|----------------|
| 7-132-213   | 239                     | 7-166-18    | 25-26                   | 7-200-120   | 213-214            | 7-229-559   | 63, 65         |
| 7-132-214   | 115, 117, 119, 121      | 7-166-19    | 25-26                   | 7-200-121   | 214                | 7-229-562   | 67             |
| 7-132-215   | 115, 117, 119, 121      | 7-166-20    | 25-26                   | 7-200-122   | 214                | 7-229-563   | 67             |
| 7-132-223   | 231                     | 7-166-23    | 26                      | 7-200-123   | 214                | 7-229-564   | 67             |
| 7-132-232   | 231                     | 7-166-24    | 26                      | 7-200-124   | 214                | 7-229-565   | 67             |
| 7-132-235   | 231                     | 7-166-25    | 26                      | 7-200-128   | 123                | 7-229-566   | 67             |
| 7-132-236   | 231                     | 7-166-26    | 26                      | 7-200-129   | 123                | 7-229-567   | 67             |
| 7-132-237   | 235                     | 7-168-02    | 163, 229                | 7-200-139   | 123                | 7-229-568   | 67             |
| 7-132-238   | 237                     | 7-169-01    | 115, 117, 119, 121      | 7-200-14    | 123                | 7-229-569   | 67             |
| 7-132-244   | 109                     | 7-169-02    | 115, 117, 119, 121      | 7-200-140   | 123                | 7-229-570   | 67             |
| 7-132-245   | 109, 233                | 7-169-03    | 115, 117, 119, 121      | 7-200-15    | 123                | 7-229-571   | 67, 69, 71, 73 |
| 7-132-246   | 109, 231, 233           | 7-169-04    | 115, 117, 119, 121      | 7-200-155   | 123                | 7-229-572   | 67, 69         |
| 7-132-247   | 109, 231                | 7-169-05    | 115, 117, 119, 121      | 7-200-156   | 123                | 7-229-573   | 67             |
| 7-132-41    | 239                     | 7-169-06    | 115, 117, 119, 121      | 7-200-157   | 123                | 7-229-574   | 67             |
| 7-132-42    | 239                     | 7-169-09    | 81                      | 7-200-158   | 123                | 7-229-575   | 67             |
| 7-132-74    | 109, 231, 233, 235, 237 | 7-169-10    | 93                      | 7-200-159   | 123                | 7-229-576   | 67             |
| 7-132-84    | 109, 231, 233, 235, 237 | 7-169-11    | 81                      | 7-200-16    | 123                | 7-229-578   | 67             |
| 7-132-85    | 235, 237                | 7-169-12    | 81                      | 7-200-160   | 123                | 7-229-580   | 61, 67         |
| 7-144-01    | 107                     | 7-173-05    | 161, 171, 173, 175, 177 | 7-200-161   | 123                | 7-229-582   | 67             |
| 7-144-02    | 115, 117, 119, 121      | 7-173-07    | 161                     | 7-200-163   | 123                | 7-229-583   | 67             |
| 7-144-03    | 107                     | 7-173-11    | 29, 31                  | 7-200-17    | 123                | 7-229-586   | 67             |
| 7-144-07    | 109                     | 7-173-14    | 235                     | 7-200-18    | 123                | 7-229-587   | 67             |
| 7-144-08    | 107                     | 7-173-17    | 237                     | 7-200-19    | 123                | 7-229-588   | 67             |
| 7-144-09    | 107                     | 7-173-26    | 231                     | 7-200-37    | 213-214            | 7-229-589   | 67             |
| 7-144-10    | 103-105                 | 7-173-27    | 235                     | 7-200-38    | 213-214            | 7-229-590   | 67             |
| 7-144-11    | 115, 117, 119, 121      | 7-173-28    | 235                     | 7-200-44    | 213-214            | 7-229-591   | 67             |
| 7-147-04    | 103-105                 | 7-181-06    | 117, 121                | 7-200-46    | 213-214            | 7-229-592   | 67             |
| 7-147-09    | 205                     | 7-181-16    | 257                     | 7-200-52    | 213-214            | 7-229-595   | 67             |
| 7-147-10    | 205                     | 7-182-08    | 193                     | 7-200-64    | 213-214            | 7-229-596   | 67             |
| 7-147-12    | 205                     | 7-182-09    | 193                     | 7-200-66    | 213-214            | 7-229-597   | 67             |
| 7-147-13    | 205                     | 7-182-13    | 193                     | 7-200-68    | 213-214            | 7-229-599   | 67             |
| 7-147-15    | 205                     | 7-182-35    | 193                     | 7-200-69    | 213-214            | 7-229-600   | 67             |
| 7-147-16    | 205                     | 7-182-36    | 193                     | 7-200-76    | 213-214            | 7-229-601   | 61, 67         |
| 7-147-17    | 205                     | 7-182-37    | 193                     | 7-200-77    | 213-214            | 7-229-602   | 67             |
| 7-147-18    | 205                     | 7-182-38    | 193                     | 7-200-78    | 213-214            | 7-229-603   | 67             |
| 7-147-19    | 205                     | 7-183-146   | 79                      | 7-200-80    | 213-214            | 7-229-604   | 67             |
| 7-147-23    | 205                     | 7-183-184   | 79                      | 7-200-91    | 213-214            | 7-229-605   | 71, 73         |
| 7-147-24    | 205                     | 7-183-200   | 79                      | 7-200-93    | 213-214            | 7-229-606   | 71, 73         |
| 7-147-25    | 205                     | 7-183-224   | 79                      | 7-200-94    | 213-214            | 7-229-607   | 71, 73         |
| 7-147-26    | 205                     | 7-183-240   | 113                     | 7-200-95    | 213-214            | 7-229-609   | 71, 73         |
| 7-147-27    | 205                     | 7-183-38    | 79                      | 7-200-96    | 213-214            | 7-229-610   | 71, 73         |
| 7-147-28    | 205                     | 7-183-96    | 79                      | 7-202-01    | 83                 | 7-229-611   | 71, 73         |
| 7-147-29    | 205                     | 7-183-98    | 97                      | 7-202-05    | 83                 | 7-229-612   | 71, 73         |
| 7-147-31    | 205                     | 7-190-04    | 79                      | 7-209-61    | 195, 197, 199, 201 | 7-229-613   | 71, 73         |
| 7-147-32    | 205                     | 7-191-02    | 145                     | 7-209-66    | 145                | 7-229-614   | 71, 73         |
| 7-147-33    | 205                     | 7-194-07    | 113                     | 7-213-04    | 251                | 7-229-615   | 71, 73         |
| 7-147-34    | 205                     | 7-194-18    | 113                     | 7-229-520   | 61                 | 7-229-617   | 73             |
| 7-147-35    | 205                     | 7-194-20    | 113                     | 7-229-521   | 61                 | 7-229-618   | 75             |
| 7-147-36    | 205                     | 7-194-40    | 115, 117, 119, 121      | 7-229-522   | 61                 | 7-229-619   | 77             |
| 7-147-37    | 205                     | 7-194-82    | 107                     | 7-229-524   | 61                 | 7-229-620   | 69             |
| 7-147-38    | 205                     | 7-194-86    | 239                     | 7-229-525   | 61                 | 7-229-621   | 69             |
| 7-147-41    | 103-105                 | 7-194-87    | 237                     | 7-229-526   | 61, 67             | 7-229-622   | 69             |
| 7-147-49    | 205                     | 7-194-89    | 235                     | 7-229-528   | 63, 65             | 7-229-623   | 67             |
| 7-147-52    | 205                     | 7-195-01    | 29, 31                  | 7-229-530   | 63, 65             | 7-229-624   | 67             |
| 7-147-53    | 205                     | 7-200-05    | 123                     | 7-229-531   | 63, 65             | 7-229-648   | 47, 49, 51     |
| 7-147-54    | 205                     | 7-200-07    | 123                     | 7-229-532   | 63, 65             | 7-229-649   | 47, 49, 51     |
| 7-147-55    | 205                     | 7-200-09    | 123                     | 7-229-533   | 63, 65             | 7-229-669   | 75             |
| 7-147-56    | 205                     | 7-200-106   | 213-214                 | 7-229-535   | 63, 65             | 7-229-677   | 67             |
| 7-158-72    | 79                      | 7-200-107   | 213-214                 | 7-229-536   | 63, 65             | 7-229-678   | 67             |
| 7-158-73    | 79                      | 7-200-108   | 213-214                 | 7-229-537   | 63, 65             | 7-229-679   | 67             |
| 7-161-01    | 145                     | 7-200-109   | 213-214                 | 7-229-538   | 63, 65             | 7-229-680   | 67             |
| 7-162-02    | 251, 253, 255           | 7-200-11    | 123                     | 7-229-540   | 63, 65             | 7-229-681   | 67             |
| 7-164-01    | 103-105                 | 7-200-111   | 213-214                 | 7-229-541   | 63, 65             | 7-229-683   | 67             |
| 7-164-02    | 103-105, 251, 253, 255  | 7-200-113   | 214                     | 7-229-543   | 63, 65             | 7-229-691   | 63, 65, 67     |
| 7-164-10    | 103-105                 | 7-200-114   | 214                     | 7-229-544   | 63, 65             | 7-229-692   | 67             |
| 7-166-06    | 25-26                   | 7-200-115   | 214                     | 7-229-546   | 65                 | 7-229-716   | 63             |
| 7-166-07    | 26                      | 7-200-117   | 213-214                 | 7-229-547   | 63                 | 7-229-717   | 63             |
| 7-166-08    | 26                      | 7-200-12    | 123                     | 7-229-548   | 63, 65             | 7-229-718   | 63             |
| 7-166-17    | 26                      |             |                         | 7-229-549   | 63, 65             | 7-229-719   | 63             |
|             |                         |             |                         | 7-229-550   | 63, 65             | 7-229-720   | 63             |
|             |                         |             |                         | 7-229-551   | 63, 65             | 7-229-721   | 63             |
|             |                         |             |                         | 7-229-554   | 63, 65             | 7-229-722   | 63             |
|             |                         |             |                         | 7-229-555   | 63, 65             | 7-229-723   | 63             |
|             |                         |             |                         | 7-229-556   | 65                 | 7-229-724   | 63             |
|             |                         |             |                         | 7-229-557   | 63, 65             | 7-229-725   | 63             |
|             |                         |             |                         | 7-229-558   | 63, 65             | 7-229-726   | 63             |

Part Number Index (continued)

| Part Number | Page                    | Part Number | Page  | Part Number | Page               | Part Number | Page                                |
|-------------|-------------------------|-------------|---|-------------|--------------------|-------------|-------------------------------------|
| 7-229-727   | 63                      | 7-234-18    | 203, 245                                    | 7-316-370   | 191                | 7-379-42    | 243                                 |
| 7-229-729   | 63                      | 7-234-19    | 197   | 7-316-383   | 185                | 7-379-43    | 243                                 |
| 7-229-730   | 63                      | 7-234-21    | 203   | 7-316-409   | 183                | 7-379-44    | 243                                 |
| 7-229-731   | 63                      | 7-234-22    | 199   | 7-316-410   | 183                | 7-379-45    | 243                                 |
| 7-229-732   | 63                      | 7-234-24    | 195   | 7-316-411   | 183                | 7-900-117   | 183                                 |
| 7-229-733   | 63                      | 7-234-25    | 197   | 7-316-412   | 183                | 7-900-152   | 175, 177                            |
| 7-229-803   | 71                      | 7-234-28    | 211   | 7-316-413   | 183                | 7-900-180   | 193                                 |
| 7-229-823   | 67                      | 7-234-29    | 197, 203, 245                               | 7-316-414   | 183                | 7-900-21    | 185                                 |
| 7-229-830   | 25-26                   | 7-234-30    | 199, 201                                    | 7-316-415   | 183                | 7-900-22    | 187                                 |
| 7-229-888   | 17                      | 7-234-31    | 195, 197                                    | 7-316-416   | 183                | 7-900-23    | 189, 191                            |
| 7-229-896   | 15                      | 7-234-35    | 245   | 7-316-49    | 187, 189, 191      | 7-900-52    | 85                                  |
| 7-229-897   | 17                      | 7-234-37    | 211   | 7-316-53    | 189, 191           | 7-900-86    | 243                                 |
| 7-229-898   | 17                      | 7-234-46    | 245   | 7-316-74    | 189, 191           | 7-900-88    | 77                                  |
| 7-229-899   | 17                      | 7-234-50    | 147, 149, 151, 169                          | 7-316-80    | 185                | 73613       | 83                                  |
| 7-229-900   | 17                      |             |   | 7-316-81    | 185                | 74323       | 23                                  |
| 7-229-901   | 17                      | 7-234-53    | 201   | 7-316-82    | 185                | 75042       | 247, 249                            |
| 7-229-902   | 17                      | 7-234-54    | 147, 149, 151, 201                          | 7-316-83    | 187                | 75321       | 95                                  |
| 7-229-922   | 65                      |             |   | 7-316-84    | 187                | 75326       | 91                                  |
| 7-229-926   | 61                      | 7-234-60    | 201   | 7-316-85    | 189, 191           | 75331       | 91                                  |
| 7-229-927   | 63                      | 7-234-80    | 197, 211                                    | 7-316-86    | 189, 191           | 75332       | 91                                  |
| 7-229-931   | 67                      | 7-234-84    | 247, 249                                    | 7-316-87    | 189, 191           | 75342       | 95                                  |
| 7-229-939   | 61                      | 7-234-94    | 161, 163, 169, 211                          | 7-319-03    | 115, 117, 119, 121 | 75343       | 93, 95                              |
| 7-229-940   | 63                      |             |   |             |                    | 75391       | 83                                  |
| 7-229-943   | 63, 65                  | 7-234-97    | 211   | 7-319-14    | 97, 99             | 77051       | 15, 23, 131                         |
| 7-229-944   | 63                      | 7-244-27    | 157, 161, 165, 167, 171, 247, 249           | 7-319-15    | 251                | 7713        | 23, 91                              |
| 7-229-945   | 63                      |             |   | 7-319-21    | 81, 93             | 77692       | 23, 29, 31, 107, 145, 159, 231, 241 |
| 7-229-946   | 67                      |             |   | 7-321-88    | 229                |             |                                     |
| 7-229-947   | 67                      | 7-244-31    | 223, 247, 249                               | 7-321-89    | 229                | 82366       | 11                                  |
| 7-229-952   | 67                      | 7-256-27    | 169   | 7-321-90    | 229                | 823664      | 263                                 |
| 7-229-956   | 67                      | 7-269-43    | 145   | 7-326-02    | 15                 | 8914        | 29, 31                              |
| 7-229-957   | 71                      | 7-272-13    | 145   | 7-337-01    | 103-105            | 8915        | 125, 133, 135                       |
| 7-229-958   | 71                      | 7-273-27    | 161   | 7-345-172   | 145                | 94195       | 89, 107, 145, 251                   |
| 7-229-959   | 71                      | 7-273-32    | 135, 139, 147, 149, 151, 153, 155, 247, 249 | 7-345-173   | 145                | 94434       | 83                                  |
| 7-229-960   | 71                      |             |   | 7-345-48    | 145                | 94643       | 125                                 |
| 7-229-961   | 71                      |             |   | 7-347-02    | 239                | 97494       | 11                                  |
| 7-229-962   | 71                      | 7-273-37    | 163   | 7-359-02    | 159                | T106381     | 127, 131, 139, 141                  |
| 7-229-963   | 71                      | 7-277-01    | 137   | 7-359-03    | 207                |             |                                     |
| 7-229-964   | 71                      | 7-280-02    | 241   | 7-359-04    | 207                | T106382     | 129, 137, 139, 141, 247, 249        |
| 7-229-965   | 71                      | 7-282-05    | 97, 99                                      | 7-359-06    | 207                | T106383     | 133, 135                            |
| 7-229-966   | 71                      | 7-289-03    | 251, 253                                    | 7-359-07    | 207                | T107982     | 104-105                             |
| 7-229-969   | 71, 73                  | 7-289-04    | 251, 253, 255                               | 7-359-08    | 207                | T109235     | 103-105                             |
| 7-229-970   | 71                      | 7-289-05    | 251, 253                                    | 7-359-09    | 207                | T110331     | 91                                  |
| 7-229-971   | 71                      | 7-289-06    | 251   | 7-359-10    | 207                | T110843     | 183                                 |
| 7-229-972   | 71                      | 7-289-07    | 251, 255                                    | 7-359-11    | 207                | T110958     | 187                                 |
| 7-229-973   | 71                      | 7-302-01    | 169   | 7-359-12    | 207                | T110960     | 189                                 |
| 7-229-974   | 71                      | 7-304-07    | 163, 229                                    | 7-359-13    | 207                | T111121     | 185                                 |
| 7-229-975   | 71                      | 7-314-01    | 253   | 7-359-14    | 207                | T113263     | 91                                  |
| 7-229-976   | 71                      | 7-316-150   | 183, 187                                    | 7-359-16    | 165, 167           | T113552     | 229                                 |
| 7-229-977   | 71                      | 7-316-189   | 187   | 7-359-17    | 171, 173           | T113835     | 257                                 |
| 7-229-978   | 71                      | 7-316-205   | 185   | 7-359-18    | 171, 173           | T113838     | 257                                 |
| 7-229-979   | 71                      | 7-316-232   | 189, 191                                    | 7-364-22    | 145                | T113839     | 257                                 |
| 7-229-980   | 71                      | 7-316-233   | 189, 191                                    | 7-367-02    | 165, 167, 171      | T113840     | 257                                 |
| 7-229-981   | 71                      | 7-316-234   | 185   | 7-367-03    | 227                | T113841     | 257                                 |
| 7-229-982   | 71                      | 7-316-236   | 187   | 7-367-04    | 225, 227           | T114334     | 95                                  |
| 7-229-983   | 71                      | 7-316-245   | 185   | 7-367-05    | 221, 225, 227      | T114340     | 91                                  |
| 7-229-984   | 71                      | 7-316-246   | 187   | 7-367-09    | 157, 221           | T114409     | 95                                  |
| 7-229-985   | 71                      | 7-316-247   | 183, 185, 187, 189, 191                     | 7-367-10    | 221                | T114410     | 95                                  |
| 7-229-986   | 71                      |             |   | 7-367-11    | 221                | T114411     | 95                                  |
| 7-229-987   | 71                      | 7-316-249   | 187   | 7-367-13    | 163                | T115360     | 239                                 |
| 7-229-988   | 71                      | 7-316-250   | 187   | 7-367-14    | 225                |             |                                     |
| 7-229-989   | 71                      | 7-316-257   | 185   | 7-367-18    | 225, 227           |             |                                     |
| 7-229-990   | 71                      | 7-316-258   | 185   | 7-367-19    | 221                |             |                                     |
| 7-229-991   | 71                      | 7-316-260   | 185   | 7-369-01    | 103-105            |             |                                     |
| 7-229-994   | 65                      | 7-316-262   | 189   | 7-371-04    | 167, 171, 173      |             |                                     |
| 7-234-01    | 147, 149, 151, 197      | 7-316-263   | 189, 191                                    | 7-379-22    | 243                |             |                                     |
| 7-234-02    | 147, 149, 151, 195      | 7-316-264   | 189, 191                                    | 7-379-23    | 243                |             |                                     |
| 7-234-03    | 153, 155, 199, 201      | 7-316-265   | 191   | 7-379-26    | 243                |             |                                     |
| 7-234-04    | 147, 149, 151, 161, 203 | 7-316-288   | 191   | 7-379-28    | 243                |             |                                     |
| 7-234-103   | 247, 249                | 7-316-289   | 189, 191                                    | 7-379-29    | 243                |             |                                     |
| 7-234-13    | 211                     | 7-316-29    | 187, 189, 191                               | 7-379-33    | 243                |             |                                     |
| 7-234-16    | 195                     | 7-316-293   | 187   | 7-379-36    | 243                |             |                                     |
| 7-234-17    | 247, 249                | 7-316-294   | 187   | 7-379-37    | 243                |             |                                     |
|             |                         | 7-316-30    | 185   | 7-379-38    | 243                |             |                                     |
|             |                         | 7-316-345   | 191   | 7-379-39    | 243                |             |                                     |
|             |                         | 7-316-35    | 187, 189                                    | 7-379-40    | 243                |             |                                     |
|             |                         | 7-316-36    | 185   | 7-379-41    | 243                |             |                                     |



## Part Description Index

The Part Description Index is an alphabetical index of all part descriptions included in this manual. The index shows what page(s) the part is used on.

- #**
- #10,45DEG BULKHEAD.....147, 149, 151  
 #8 JIC TO ORFS ADAPTER.....247, 249  
 #8,90 DEG ORFS SWIVEL.....247, 249
- 1**
- 1ST&2ND SHAFT,DRUM,PLUG&SEAT.....51
- 2**
- 2ND GEAR CLUTCH/BEARING ASSY.....39
- 3**
- 3RD SHAFT-DRUM & PLUG ASSY.....49
- 5**
- 5/8 LONG HANDLE.....207
- 6**
- 6 FJIC SW X 6 MJIC RN X 4 ORBT.....229, 251  
 6MM X 1.00 HEX NUT.....235
- 8**
- 8 MM FLAT WASHER.....235  
 8MM LOCKWASHER.....113  
 8MM X 1.25 HEX NUT.....113
- 9**
- 90RING 18.0 X 2.20MM, VITON.....55
- A**
- A CLU PISTON.....51  
 ACCELERATOR CABLE / SAF-T-CAB.....113  
 ACCELERATOR PEDAL.....113  
 ACCUMULATOR,BRAKE.....171, 173  
 ADAPTER / PUMP.....43  
 ADAPTER HARNESS,BRAKE LT PS.....251  
 ADAPTER HOSE,INTAKE,PERKINS.....91  
 ADAPTER,04 FORB X02 MP.....229, 251  
 ADAPTER-FUEL FILTER, PERK 1104.....91  
 ADAPTOR.....213-214  
 ADJUSTING BOLT.....71, 73  
 ADJUSTING SCREW KIT.....213-214  
 AIR CLEANER ASSEMBLY.....101  
 AIR CLEANER ASSY,PERKINS.....101  
 AIR INTAKE PIPE.....101  
 AIR INTAKE TUBE.....101  
 AIR PIPE,INTAKE,PERKINS.....91  
 AIR TIRES,13X24+COUNTERWEIGHT.....26  
 AIRCLEANER ASSY,DEUTZ-2012.....101  
 ALTERNATOR.....83  
 ALTERNATOR,95 AMP,JD.....79  
 ALTERNATOR,PERK T3 6/8K.....95  
 ANCHOR,CHAIN.....133, 135  
 ANCHOR,EXTEND CHAIN.....127  
 ARM,STCIII,24"WET WIPER.....239  
 ARTICULATED TIE ROD.....75  
 ARTICULATION.....67  
 ASSY,DIPSTICK.....35  
 ASSY,GEAR & BEARING.....39  
 ASSY,LOAD CHART HOLDER,644/8XX...103-105
- ASSY,MID BOOM,BLUE,644.....125  
 ASSY,MID BOOM,BLUE,842.....125  
 ASSY,MID BOOM,BLUE,844.....125  
 ASSY,MID BOOM,GREY,644.....125  
 ASSY,MID BOOM,GREY,842.....125  
 ASSY,MID BOOM,GREY,844.....125  
 ASSY,ROD,SWAY CYL.,O.E.MFG.....193  
 ASSY,SMALL BOOM W/BRGS.....125  
 ASSY,TUBE,SWAY CYL.,O.E.MFG.....193  
 ASSY,VALVE COVER,PERK T3 6/8K.....95  
 AXLE ASSEMBLY,FRONT.....15  
 AXLE ASSEMBLY,REAR.....15  
 AXLE CASE.....67  
 AXLE HOUSING.....61
- B**
- BACK UP RING.....214  
 BACK-UP RING.....71, 73, 185, 187, 189, 191, 207, 213-214, 219  
 Back-up Ring.....243  
 BALL.....207  
 Ball.....205  
 BALL BEARING.....67  
 BANJO.....83  
 BANJO BOLT,FUEL SUPPLY LINE.....83  
 Barrel Assembly.....183, 191, 243  
 BATTERY CABLE (BLK).....21  
 BATTERY CABLE (RED).....21  
 BATTERY,12V,1000 CCA GRP 31.....21  
 BEACON.....251  
 BEARING.....37, 39, 41, 45, 47, 49, 51, 67, 207  
 BEARING / NEEDLE.....37  
 BEARING ASSY.....65  
 Bearing Race 1.....205  
 Bearing Race 2.....205  
 BEARING,1.5 X 2.0 X 2.5.....127, 141  
 BEARING,1.50IDX2.06ODX2.56L.....127  
 BEARING,2.00IDX2.50ODX1.50L.....125  
 BEARING,2.00IDX2.56ODX1.25L.....131, 135  
 BEARING,3.00IDX3.50ODX2.00L.....125, 135, 143  
 BEARING,BALL.....41, 53  
 BELT / V-RIBBED.....83  
 BELT,FAN,DEERE 6/8K T3,AC.....257  
 BELT,V, PERKINS 1004-42 (SB).....91  
 BELT,V, PERKINS 1104C-44.....91  
 BEVEL GEAR AND PINION ASSEMBLY.....65  
 BEVEL GEAR SET.....63  
 Bias Spring.....217  
 BLEEDING BOLT.....71, 73  
 BLOCK VALVE.....259  
 BLOWER, 12V.....259  
 BODY.....195, 197, 203, 225, 227, 245  
 Body.....211  
 BOLT.....33, 35, 63, 65, 67  
 BOLT / #10-24 x 3/4 BUTTON HEA.....231  
 BOLT / 8mm x 35mm / C-SUNK ALL.....235  
 BOLT / COUNTERSUNK.....67, 71  
 BOLT / CYLINDER.....71  
 BOLT / GRUB.....71  
 BOLT / STRIKER.....235  
 BOLT 1/4-28 X 3/4.....239  
 BOLT,1 1/4-12X4 3/4.....241  
 BOLT,1/4-20 TRI-WING KNOB.....107  
 BOLT,CARRIAGE,3/8-16 X1.00,G5.....161  
 BOLT,CARRIAGE,3/8-16X2.25.....161
- BOLT,EXH MAN M10X1.5X45,PER T3.....95  
 BOLT,FLANGE,3/8-16X.875,LT.....131, 133, 135  
 BOLT,FLYWHEEL,PERK T3 6/8K.....95  
 BOLT,HMB,2-12X5 7/8,GR8.....241  
 BOLT,VLV COVER,6MM,PERK T3 6/8.....95  
 BOLT/3/8 UNF-2AX3/4 LG.....15  
 BOOT.....63, 123  
 BOWL / FUEL FILTER.....91  
 BRACKET.....213-214  
 BRACKET,WASHER RESERVOIR.....231  
 BRAKE CAM.....71  
 BRAKE DISC.....47, 49, 51, 71, 73  
 BRAKE PEDAL,FLOOR MOUNT.....111, 171, 173  
 BREATHER / AIR.....35  
 BREATHER,FILLER,3 PSI.....145  
 BRKT,ENG HARNESS MOUNT.....93  
 BRKT,RADIATOR MOUNT.....91  
 BRKT,SIDE RAD SUPPORT.....91  
 BRKT,TOP RAD SUPPORT.....91  
 BRONZE BUSHING.....183, 185, 187  
 Buffer Seal.....183, 191  
 BUMPER, SNAP-IN.....29, 31  
 BUSHING.....37, 83  
 BUSHING / REDUCTION.....71  
 BUSHING, RUBBER.....19, 179, 181  
 BUSHING,RUBBER,LARGE.....19, 179  
 BUSHING/BASE END.....193  
 BUSHING/REDUCTION.....71  
 BUSHING/ROD END.....193  
 By-pass Valve for 7-118-01.....209
- C**
- CAB LIGHT.....251, 253, 255  
 CAB, OPEN WITH PLEXIGLASS.....109  
 CANOPY ASSEMBLY.....231  
 CANOPY ASSY,ISO MOUNTED,STCIII.....109  
 Cant Seal.....205  
 CAP / FILLER.....83  
 CAP ASSEMBLY.....213-214  
 CAP SCREW,SH,10-24 X 0.75.....239  
 CAP, PERKINS RADIATOR, 6/8/10K.....91  
 CAP,OIL FILLER,PERKINS 1104C.....91  
 CAPSCREW.....235  
 CAPSCREW / HEX HEAD.....15, 81, 85, 113  
 CAPSCREW 6MM X 1.00 X 40MM LG.....235  
 CARD,LOAD RNG,644 CAT ADPT.....104-105  
 CARD,LOAD RNG,644 PIN ON BKT.....104-105  
 CARD,LOAD RNG,644 PIN ON TB.....104-105  
 CARD,LOAD RNG,644 QA BKT.....104-105  
 CARD,LOAD RNG,644 QA TB.....104-105  
 CARD,LOAD RNG,644 QA&ROT.....104-105  
 CARD,LOAD RNG,644 STD FKS.....104-105  
 CARD,LOAD RNG,644 SWG CARR...104-105  
 CARD,LOAD RNG,842 CAT ADPT.....105  
 CARD,LOAD RNG,842 PIN ON BKT.....104-105  
 CARD,LOAD RNG,842 PIN ON TB.....104-105  
 CARD,LOAD RNG,842 QA BKT.....104-105  
 CARD,LOAD RNG,842 QA TB.....104-105  
 CARD,LOAD RNG,842 STD FKS.....104-105  
 CARD,LOAD RNG,842 SWG CARR...104-105  
 CARD,LOAD RNG,844 CAT ADPT.....105  
 CARD,LOAD RNG,844 PIN ON BKT.....105

- CARD,LOAD RNG,844 PIN ON TB.....105  
CARD,LOAD RNG,844 QA BKT.....105  
CARD,LOAD RNG,844 QA TB.....105  
CARD,LOAD RNG,844 QA&ROT.....105  
CARD,LOAD RNG,844 STD FKS.....105  
CARD,LOAD RNG,844 SWG CARR.....105  
CARTRIDGE.....221, 225  
CARTRIDGE / C-BALANCE.....199  
CARTRIDGE / C-BALANCE\*\*\*.....197  
CARTRIDGE / CHECK.....195, 197, 211  
CARTRIDGE / COUNTERBALANCE.....201  
CARTRIDGE / DIFF.LOCK.....227  
CARTRIDGE / MODULAR CONTROL.....163, 229  
CARTRIDGE / NEEDLE.....211, 247, 249  
CARTRIDGE / PILOT CHECK.....203, 229, 245  
CARTRIDGE / REDUCING.....211  
CARTRIDGE / REDUCING-RELIEVING.....229  
CARTRIDGE / RELIEVING.....211  
CARTRIDGE / SHUTTLE.....229  
CASING.....259  
CENTER BEZEL.....115, 117, 119, 121  
CHAIN ANCHOR, BOLT ON.....129  
CHAIN SHEAVE ASSY,POLYGON.....127, 141  
CHAIN,BL-666 LEAF,243 LINKS.....129, 135  
CHAIN,BL-666 LEAF,257 LINKS.....127, 135  
CHARGE PUMP ASSY.....43  
CHECK VALVE.....43  
CHECK VALVE ASSEMBLY.....213-214  
Check Valve Poppet.....219  
CIRCLIP.....61, 63, 65, 67, 71  
CIRCUIT BREAKER BOOT.....103-105  
CIRCUIT BREAKER, 40 AMP.....103-105  
CLAMP.....259  
CLAMP - SOLENOIDS.....55  
CLAMP / V-STYLE.....97  
CLAMP BRACKET, EXHAUST, 3.....97, 99  
CLAMP CVR PLATE,TWIN,GRP 3.....135, 139, 147, 149, 151, 153, 155, 247, 249  
CLAMP HALVES,TWIN,1/4" TUBE.....163  
CLAMP HALVES,TWIN,3/8" PIPE.....161  
CLAMP HALVES,TWIN,5/8" TUBE.....137, 147, 149, 151, 247, 249  
CLAMP HALVES,TWIN,7/8" TUBE.....135, 139, 147, 149, 151, 153, 155, 247, 249  
CLAMP,0.63,#10 X 1/4,RUB CUSH.....161  
CLAMP,9/16 TO 1-1/14.....85  
CLAMP,ADHESIVE BACK,3/8.....251  
CLAMP,HOSE.....175, 177  
CLAMP,MUFFLER,3 1/4".....97, 99  
CLAMP,RADIATOR HOSE.....79  
CLAMP,T-HOSE,2 1/8 IN NOM.....145  
CLAMP,WORM.....87  
CLAMPING RING.....123  
CLEVIS YOKE-1/4-28,PLTD W/PIN.....113  
CLIP / GLASS RETAINER.....109, 231  
COIL.....221, 225, 227  
COIL,CONDENSER,HVAC,8K.....261  
COIL,PROTECTIVE,PLASTIC...147, 149, 151, 153, 155, 247, 249  
COLD START CIRCUIT BREAKER.....93  
COLD START RELAY.....93  
COLLAR.....25-26, 143, 241  
COLUMN, STEERING, 225MM.....103-105  
COMPRESSOR,AC,PERK1104.....257  
CONNECTOR,070120-4-6.....147, 149, 151, 153, 155, 157, 163, 169, 171, 173  
CONNECTOR,ORIF,6-6,.062.....161  
CONNECTOR,RUBBER,AIR INTAKE.....101  
CONSOLE, FRONT.....107  
CONTROL BLOCK.....161, 163, 169, 211  
CONTROL CABLE BRACKET SHIM.....89  
CONTROL KIT.....219  
CONTROL PANEL HEAT ONLY.....117, 121  
Control Spool.....219  
CONTROLLER, 4 WAY.....123  
CONVERTER.....37  
COOLANT RECOVERY BOTTLE, GTH.....79  
COOLANT RECOVERY BOTTLE,GTH.....87, 91  
COOLANT TEMP SENSOR.....83  
COOLER MOUNTING ASSEMBLY.....87  
COPPER TUBE, 5/8.....259  
CORE ASSY.....209  
COTTERPIN,3/32X3/4LG.....127, 129, 133, 135  
COUNTERWEIGHT,CAST.....23  
COUPLING W/PORT,AIR INTAKE.....101  
COVER.....67, 259  
COVER, CONTROL PANEL.....119, 121  
COVER, SIDE CONSOLE.....107  
COVER,BATTERY ACCESS.....29, 31  
COVER,ENGINE ACCESS.....29, 31  
COVER,FRONT.....125  
COVER,FRONT ENGINE.....29, 31  
COVER,REAR.....125, 135  
COVER,STC PLASTIC BOLT....109, 231, 233, 235, 237  
COVER,TOP ENGINE.....31  
CROSS AND BEARING.....17  
Cross Support.....205  
CYLINDER.....77  
Cylinder Block.....217  
Cylinder Block Kit.....217  
CYLINDER BOLT.....63, 65, 75  
CYLINDER ROD / FOR 7-316-238 C.....187  
CYLINDER ROD 2.50 X 160".....189  
CYLINDER,BOOM EXT,GTH844,644.....189  
CYLINDER,BOOM LIFT, GTH844.....183  
CYLINDER,BOOM LIFT,GTH644.....185  
CYLINDER,ROTATE\*\*\*.....241, 247  
CYLINDER,SWAY/REAR LOCK-UP\*\*\*.....193  
CYLINDER,TILT, GTH8XX,GTH644.....187
- ## D
- DASH PANEL,STCIII.....103-105, 107, 115, 117, 119, 121  
DECAL KIT,SAF/INST,644/842/844.....11  
DECAL, 4WAY CONTROLLER.....13  
DECAL, A, WHITE.....11  
DECAL, ALWAYS USE SEAT BELT.....13  
DECAL, AXLE DIFFERENTIAL LO.....13  
DECAL, B, WHITE.....11  
DECAL, BOOM ANGLE.....11  
DECAL, BURN HAZARD.....11  
DECAL, C, WHITE.....11  
DECAL, CRUSH HAZARD, NO RIDE.....13  
DECAL, CRUSH HAZARD, PARK BR.....13  
DECAL, CRUSH HAZARD, PINCH.....11  
DECAL, D, WHITE.....11  
DECAL, DAILY CHECK LIST.....11  
DECAL, DANGER, STARTING FLUID.....11  
DECAL, DIESEL FUEL.....11  
DECAL, ELECTRICAL HAZARD.....13  
DECAL, EXPLOSION HAZARD, FLU.....11  
DECAL, EXPLOSION, BURN HAZ, AC.....11  
DECAL, FALLING OBJECT HAZARD.....13  
DECAL, HYD OIL LEVEL.....11  
DECAL, HYDRAULIC OIL ONLY!.....11  
DECAL, INTAKE AIR HEATER.....13  
DECAL, NOT A MAN LIFT.....11, 13  
DECAL, OVERHEAD CRUSH HAZARD.....11  
DECAL, OVERTURNING HAZARD.....13  
DECAL, READ OPERATORS MANUAL.....13  
DECAL, REAR AXLE STABILIZER.....13  
DECAL, STEERING SELECTOR.....13  
DECAL, SWAY.....13  
DECAL, TRANSMISSION CONTROL.....13  
DECAL, TRANSMISSION OIL.....11  
DECAL,CHEVRON RANDO HD.....11  
DECAL,COSMETIC,GENIE (GTH).....11  
DECAL,COSMETIC,GENIE GTH-644.....11  
DECAL,COSMETIC,GENIE GTH-842.....11  
DECAL,COSMETIC,GENIE GTH-844.....11  
DECAL,COSMETIC,GTH 644 SMALL.....11  
DECAL,COSMETIC,GTH 842 SMALL.....11  
DECAL,COSMETIC,GTH844 SMALL.....11  
DECAL,DANGER,NO STARTING FLUID.....11  
DECAL,DASH GANG SWITCHES.....13, 119, 121  
DECAL,DUAL CONTROLLER.....13  
DECAL,FLT GUIDE,PRKNS,JD,DEUTZ.....11  
DECAL,GLOW PLUG TIME.....13  
DECAL,GLOW PLUGS.....13, 95  
DECAL,LOAD CHART,GTH-644.....13  
DECAL,LOAD CHART,GTH-842.....13  
DECAL,LOAD CHART,GTH-844.....13  
DECAL,PB,WARNING LT & PUMP.....13, 119, 121  
DECAL,WARN,OVERTURNING HAZ.....11  
DETENT BALL.....63, 71  
DIFFERENTIAL.....65  
DIFFERENTIAL ASSY.....63  
DIFFERENTIAL CARRIER.....63, 65  
DIFFERENTIAL SIDE GEAR.....63, 65  
DIODE/HARNESS.....81  
DIPSTICK.....35, 93  
DIPSTICK,DEUTZ-BF4M2012.....83  
DISC SPRING ASSEMBLY.....47, 49, 51  
DISC SPRING ASSY.....51  
DISPLAY,ENGINE DIAGNOSTIC.....121  
Distributor Plate.....205  
DOOR ASSY. COMPLETE / LOWER/ S.....235  
DOOR HINGE PIN E-CLIP.....235, 237  
DOOR KEY / SAF-T-CAB III.....235  
DOOR LATCH / EXTERIOR.....235  
DOOR LATCH / SPLIT DOOR.....237  
DOOR POST / STC III.....231  
DOOR STRAP / 7 IN.....239  
DOOR STRIKER.....239  
DOWEL.....71, 73  
Drive.....205  
DRIVE PLATE ASSY KIT.....59  
DRIVE SHAFT ASSY, REAR (SHORT).....17  
DRIVESHAFT,FRONT,TH644/8XX.....17  
DUCTING KIT, 3"DIAMETER.....257  
Dust Seal.....205
- ## E
- ELBOW / EXHAUST.....95  
ELBOW,070221-4-4.....157  
ELBOW,1/8" NPT BRASS.....89  
ELBOW,BULKHEAD UNION 520701-8.....247, 249  
ELEMENT,RETURN FILTER\*\*\*.....145, 209  
END BEZEL.....115, 117, 119, 121  
End Cap Seal.....219  
End Cover.....205

## Part Description Index (continued)

- END PLATE.....45  
 ENG ASSY,PERK,T2,6/8K,REMAN.....91  
 ENG ASSY,PERKINS 1104D-44T T3.....91  
 ENG PKG ASSY,JD TIER3,644-8XX.....79  
 ENG,ASSY,PERK,1104C-44T,T2,6/8.....91  
 ENG/TRAN PKG,PERK,TII,644/8XX.....91  
 ENG/TRANS PKG,PERKINS T3 6/8K.....91  
 ENGINE ASSY,JD-4045TF270.....79  
 ENGINE FUEL PRE-FILTER.....83  
 ENGINE HARNESS ASSY.....93  
 ENGINE&PUMP ASSY,DEUTZ-2012.....79  
 ENGINE,DEUTZ,99HP,BF4M2012.....83  
 EVAPORATOR COIL.....259  
 EXHAUST ASEMBLY,PERKINS.....99  
 EXHAUST ASSY,DEUTZ-2012.....97  
 EXHAUST ASSY,JD TIER3, 644-8XX.....97  
 EXHAUST BRACKET, 3 1/2.....97, 99  
 EXHAUST FLANGE.....97  
 EXHAUST FLANGE,PERKINS ENG.....99  
 EXHAUST PIPE, DEUTZ ENGINE.....97  
 EXHAUST PIPE,JD TIER3,644-8XX.....97  
 EXHAUST PIPE,PERKINS ENG.....99  
 EXPANDER.....37  
 EXPANSION TANK ASSEMBLY.....87, 91  
 EXT.CYL.RETAINER.....137
- F**
- FAN / PERKINS ENGINE.....91  
 FAN ASSEMBLY.....239  
 FAN BELT.....79  
 FAN BELT,99 HP,W/AC COMP.....79  
 FAN DRIVE HOUSING.....91  
 FAN GUARD.....91  
 FAN GUARD,18".....79  
 FAN SHROUD.....91  
 FAN,BLOWER,18-INCHES.....79  
 FAN,CONDENSER,HVAC,8K.....261  
 FAN/ENGINE/DEUTZ BF4M 2012.....83  
 FASTENER,HOUSING,OIL FILTER.....91  
 FENDER,FULL WHEEL,UTILITY.....263  
 FILLER CAP, FUEL, BREATHER.....19, 179  
 FILTER / ENGINE OIL / SPIN-ON.....83  
 FILTER / FUEL / SPIN-ON.....83  
 FILTER ELEMENT / PRIMARY.....101  
 FILTER HEAD (29560).....83  
 FILTER,FUEL, PERKINS 1104C.....91  
 FILTER,OIL,PERKINS 1104C-44.....91  
 FITTING.....81, 145, 157, 179  
 FITTING, 02 NPT COUPLING.....171, 173  
 FITTING, 04 JIC, TEE.....171, 173  
 FITTING, 04 JIC,SW-RN-TEE.....171, 173  
 FITTING, 06 JIC, UNION TEE.....171, 173  
 FITTING, 06OR X 06 JIC STR..157, 161, 163,  
 247, 249  
 FITTING, 08 OR X 04 JIC STR...161, 171, 173  
 FITTING, 08 OR X 06 JIC STR.....159, 163,  
 247, 249  
 FITTING, 14MM OR X 06 JIC,STR.....167, 171,  
 173  
 FITTING, 90, 3/8 HOSE.....19, 179, 181  
 FITTING, AIR BREATHER, DEUTZ.....175, 177  
 FITTING,02 NPT M X 04 JIC STR.....171, 173  
 FITTING,02 NPT X 04 NPT CPLG.....165, 167,  
 171, 173  
 FITTING,03 OR X 04 JIC STR.....171  
 FITTING,04 NPT X 06 JIC 90SW.....165, 167,  
 171, 173  
 FITTING,04 OR OR HEX HEAD PLUG.....147,  
 149, 151, 153, 155
- FITTING,04 OR X 04 JIC 90.....153, 155  
 FITTING,04 OR X 04 JIC STR.....171  
 FITTING,06 JIC SW-RN-TEE.....173  
 FITTING,06 OR X 04 JIC 45.....157, 161, 169  
 FITTING,06 OR X 04 JIC 90.....145, 147, 149,  
 151, 157, 161, 163, 171, 173  
 FITTING,06 OR X 04 JIC RN-TEE...157, 165,  
 167  
 FITTING,06 OR X 06 JIC 90.....147, 149, 151,  
 163, 247  
 FITTING,06 OR X 06 JIC RN-TEE...145, 157,  
 161, 163, 165, 167, 171, 173  
 FITTING,06 OR,HEX HEAD PLUG...147, 149,  
 151, 153, 155, 169  
 FITTING,06 SAE X 06 COMP,90.....247  
 FITTING,06 X 04 JIC REDUCER.....171  
 FITTING,06OR X 06 JIC 45.....163, 247, 249  
 FITTING,08 NPT ELBOW,BLK.....175  
 FITTING,08 OR X 06 JIC 90.....159, 161, 247,  
 249  
 FITTING,08 OR X 08 JIC 45.....147, 149, 151,  
 159  
 FITTING,08 OR X 08 JIC 90.....147, 149, 151,  
 159, 161  
 FITTING,08 OR X 08 JIC BR-TEE.....161  
 FITTING,08 OR X 08 JIC STR.....145, 159  
 FITTING,08 OR X 10 JIC 90.....147, 149, 151  
 FITTING,08 OR X 10 JIC STR..145, 147, 149,  
 151, 161, 163  
 FITTING,08NPT ST ELBOW,BLK.....175  
 FITTING,08X06JIC EXP.....247, 249  
 FITTING,1/2 PIPE NIPPLE.....175  
 FITTING,1/4GASX06JIC90.....165  
 FITTING,10 JIC BH-UNION,STR.....247, 249  
 FITTING,10 JIC, SW-RUN-TEE.....147, 149,  
 151  
 FITTING,10 JIC,SW-BR-TEE.....147, 149, 151  
 FITTING,10 OR X 08 JIC 90.....145  
 FITTING,10 OR X 10 JIC 45.....147, 149, 151  
 FITTING,10 OR X 10 JIC 90.....147, 149, 151,  
 153, 155  
 FITTING,10 OR X 10 JIC, SWIV.....147, 149,  
 151  
 FITTING,10 ORX10 JIC STR.....175, 177  
 FITTING,10ORX10JIC,STRAIGHT.....85, 175,  
 177  
 FITTING,12 OR X 10 JIC 45.....147, 149, 151  
 FITTING,12 OR X 10 JIC 90.....153, 155  
 FITTING,12 OR X 10 JIC STR..145, 147, 149,  
 151  
 FITTING,12 OR X 12 JIC 45.....145  
 FITTING,12ORX12JIC,90.....85, 175, 177  
 FITTING,14MM X 06 JIC RN-TEE.....171  
 FITTING,16 OR HEX HEAD PLUG.....145  
 FITTING,16 OR X 16 JIC STR.....145  
 FITTING,18MMX08 NPT,RED.....175  
 FITTING,20 OR X 16 JIC 90.....145  
 FITTING,20 OR X 20 NPT, STR.....145  
 FITTING,3/4 MALE TO 3/4 FEMALE.....85  
 FITTING,3/4 NPT X 5/8 BARB.....85  
 FITTING,90DEG,1/2"ID.....179  
 FITTING,90DEG,3/8"ID.....179  
 FITTING/24 OR X 24 JIC O STR.....145  
 FLANGE.....63, 65  
 FLANGE PLUG.....53  
 FLANGE RETAINING RING.....53  
 FLASHER.....253  
 Flat Seal.....123  
 FLATWASHER 6MM ID X 12 MM OD.....235
- FLEX JOINT, EXHAUST MOUNT.....97, 99  
 FLGHC,1/2-13X15,GR5,ZN,LOC.....127, 131,  
 139, 141  
 FLGHCS,1/2-13X1,GR5,ZN,LOC.....133, 135  
 FLGHCS,1/2-13X1.75,GR8,BLK,PH.....131,  
 133, 139, 141  
 FLGHCS,3/8-16X1.25.GR5,ZN,LOC.....129,  
 137, 139, 141, 247, 249  
 FLYWHEEL HOUSING,PERKINS ENGIN.....95  
 FLYWHEEL,PERKINS ENGINE.....95  
 FORK FRAME, 48" NONROT PIN 844.....25-  
 26  
 FORK FRAME, 60" NONROT PIN 844.....25-  
 26  
 FORK FRAME, 60" ROT PIN 844.....241  
 FORK FRAME, 72" NONROT PIN 844.....25-  
 26  
 FORK FRAME, 72" ROT 844.....241  
 FORK FRAME,48" ROT PIN 844.....241  
 FORMED TUBE.....247  
 FORMING,BATTERY HOLDDOWN.....21  
 FORMING,BULKHEAD BRKT.....129, 137  
 FORMING,ENG COVER SUPPORT.....29, 31  
 FORMING,ENGINE COVER, TOP.....29  
 FORMING,HARDLINE BRKT.....137, 247, 249  
 FORMING,HOSE GUIDE.....23, 147, 149, 151  
 FORMING,HOSE HOLDER.....161  
 FORMING,LOAD CHART HOLDER  
 BACK.....104-105  
 FRAME / UPPER DOOR.....237  
 FRICTION WASHER.....63, 65  
 Front Bearing Kit.....217  
 Front Cover.....205  
 FRONT MOUNT TRAY.....87  
 FUEL FILTER,PRIMARY,JD-4045.....79  
 FUEL GAUGE.....115, 117, 119, 121  
 FUEL SENDER.....19  
 FUEL SUPPLY LINE,1/2 INCH.....83  
 FUEL SUPPLY LINE,3/8 INCH.....83  
 FUSE BLOCK.....103-105  
 FUSE, 10 AMP, ATC.....103-105  
 FUSE, 20 AMP, ATC.....103-105  
 FUSE, 5 AMP, ATC.....103-105  
 FUSE,20 AMP.....93
- G**
- GASKET - OIL PAN, PERKIN 1104C.....95  
 GASKET / ADAPTER to PLATE.....43  
 GASKET / DOOR HOLD-BACK.....231  
 GASKET / OIL FILTER HEAD.....91  
 GASKET / PLATE TO TRANS.....35  
 GASKET, INSPECTION COVER.....145  
 GASKET,COMPENSATOR.....145  
 GASKET,EXHAUST.....97, 99  
 GASKET,INTAKE PIPE.....91  
 GASKET,PUMP,DRIVE.....79, 85, 145  
 GASKET-PUMP WATE,PERK 1104C-44.....91  
 GAUGE, ENG OIL PRESSURE.....115, 117,  
 119, 121  
 GAUGE, TRANSMISSION OIL TEMP.....115,  
 117, 119, 121  
 GAUGE,ENGINE WATER TEMP.....115, 117,  
 119, 121  
 GAUGE,RETURN FILTER.....145, 209  
 GAUGE,TRANSMISSION OIL PRESS.....115,  
 117, 119, 121  
 GEAR.....37, 41  
 Gear Wheel Set.....205  
 GEAR WITH BEARING.....39



GLAND,SWAY CYLINDER,O.E.MFG.....193  
 GLASS / DOOR / TOP / SAF-T-CAB.....237  
 GLASS / REAR.....103-105, 109, 233  
 GLASS / RH SIDE / SAF-T-CAB II.....103-105,  
 109  
 GLASS / TOP SKYLIGHT / SAF-T-C.....231  
 GLASS / WINDSHIELD / SAF-T-CAB.....231  
 Glass seal.....231, 233, 235, 239  
 GREASE FITTING.....67, 69, 71  
 GROMMET.....115, 117, 119, 121  
 GROUND WIRE.....81

**H**

HOSE,08X08X176LG.....159  
 HOSE,4X4-90X15".....147, 149, 151, 153, 155,  
 169  
 HANDLE / INSIDE DOOR LATCH / S.....235  
 HANDLE ASSEMBLY.....123  
 HANDLE ASSY / STEEL.....123  
 HANDLE GRIP.....123  
 HARNESS, DASH.....103-105  
 HARNESS, MAIN POWER.....103-105  
 HARNESS, REAR LOCKUP.....103-105  
 HARNESS, TIER 3 ADAPTER.....79, 121  
 HARNESS, TRANSMISSION.....55  
 HARNESS, TRANSMISSION  
 CONTROL.....103-105  
 HARNESS,COLD START,SAUER,TH.....145  
 HARNESS,ENGINE,TIER III 99HP.....79  
 HARNESS,HEADLIGHT.....251, 253, 255  
 HARNESS,ROAD LIGHT,TURN SIG.....251  
 HARNESS,STROBE LIGHT.....251  
 HARNESS,TAIL&BACK UP LIGHT.....251  
 HARNESS,THROTTLE PEDAL.....113  
 HARNESS,TURN SIGNAL,PS.....253, 255  
 HARNESS,TURN/TAIL/HAZARD,TH.....251,  
 253, 255  
 HDPE,LOAD CHART HOLDER.....104-105  
 Head.....187, 193  
 HEAD / CYLINDER.....189, 191  
 HEAD / OIL FILTER.....91  
 HEAD BACK-UP RING.....183  
 HEAT/AC DUCTING GASKET KIT.....257  
 HEATER COIL.....259  
 HEATER LOUVER,STL,12GA.....107  
 HEAVY WIRE TIE,1/4 X 18.....85  
 HEX HEAD CAPSCREW.....113  
 HEX NUT 12MM.....239  
 HINGE.....237  
 HINGE LR DOOR/STCIII/ W ST DR.....235  
 HINGE PIN.....235, 237  
 HINGE,ACCESS COVER.....29, 31  
 HINGE,BAT COV & ENG ENCLOSURE.....31  
 HINGE,CONTROLS DOOR.....29  
 Hinged Arm Rest, Black Plastic.....107  
 Hold Down Pin.....217  
 HOLE PLUG, 1 3/16.....103-105  
 HOLE PLUG, 1 3/8.....115, 117, 119, 121  
 HOLE PLUG, 3 IN.....103-105, 107  
 HOLE PLUG, 3/4 DIA.....107  
 HOLE PLUG, 3/8 DIA.....109  
 HOLE PLUG, 5/16 DIA.....107  
 HOLE PLUG, 5/8 DIA.....115, 117, 119, 121  
 HOLE PLUG, 7/16 DIA.....107  
 HOLE PLUG,1 1/8 DIA.....107  
 HOOK, BATTERY HOLD DOWN.....21  
 HORN.....103-105  
 HORN BUTTON KIT\*\*\*.....103-105  
 HOSE ASSY.....145

HOSE ASSY,AC,COMP/COND,JD.....257  
 HOSE ASSY,AC,COMP/COND,PERK.....257  
 HOSE ASSY,AC,COND/DRIER.....257  
 HOSE ASSY,AC,DRIER/EVAP.....257  
 HOSE ASSY,AC,EVAP/COMP,JD.....257  
 HOSE ASSY,AC,EVAP/COMP,PERK.....257  
 HOSE BARB ELBOW, 1/2 X 3/8.....83  
 HOSE CLAMP.....101, 179, 181  
 HOSE CLAMP, SAE #6.....83  
 HOSE CLAMP,PERKINS ENGINE.....91  
 HOSE CLAMP,SAE #4.....83  
 HOSE END,12-08 MALE PIPE.....175, 177  
 HOSE, 3/8".....87  
 HOSE, 4X4-90X17".....157  
 HOSE, 5/8".....85  
 HOSE,04X04-90X14LG.....171  
 HOSE,04X04-90X30LG.....147, 149, 151, 157,  
 165, 167, 171  
 HOSE,04X04-90X44LG.....171  
 HOSE,04X04-90X50.....171, 173  
 HOSE,04X04X102LG.....157, 165, 167  
 HOSE,04X04X105LG.....171, 173  
 HOSE,04X04X122LG.....157  
 HOSE,04X04X138LG.....157  
 HOSE,04X04X31LG.....163  
 HOSE,04X04X37LG.....161  
 HOSE,04X04X42LG.....163  
 HOSE,04X04X43LG.....163  
 HOSE,04X04X50LG..147, 149, 151, 163, 171,  
 173  
 HOSE,04X04X8 1/2LG.....147, 149, 151, 157  
 HOSE,06X06-90X14LG.....171, 173  
 HOSE,06X06-90X159LG.....159  
 HOSE,06X06-90X20LG.....247, 249  
 HOSE,06X06-90X31LG.....157, 161, 163, 165,  
 167, 171, 173, 247, 249  
 HOSE,06X06-90X37LG.....247  
 HOSE,06X06-90X60LG.....157  
 HOSE,06X06X106LG.....157, 159, 165, 167  
 HOSE,06X06X122LG.....159  
 HOSE,06X06X20LG.....147, 149, 151, 161  
 HOSE,06X06X50LG.....171, 173  
 HOSE,06X06X65LG.....171, 173  
 HOSE,06X06X68LG.....167  
 HOSE,06X06X72"LG.....165  
 HOSE,06X06X87LG.....173  
 HOSE,06X06X90LG.....171  
 HOSE,06X08-90X168LG.....161  
 HOSE,08X08-90X194LG.....159  
 HOSE,08X08X128LG.....145  
 HOSE,08X08X22LG.....161  
 HOSE,08X10X92"LG.....247, 249  
 HOSE,10X10-90X18".....145, 147, 149, 151,  
 161, 163  
 HOSE,10X10-90X21.50".....145  
 HOSE,10X10X100LG.....147, 149, 151  
 HOSE,10X10X102"LG.....155  
 HOSE,10X10X16".....147, 149, 151  
 HOSE,10X10X60LG.....147, 149, 151  
 HOSE,10X10X79LG.....153  
 HOSE,10X10X86LG.....147, 149, 151  
 HOSE,10X10X90LG.....147, 149, 151  
 HOSE,10X10X92LG.....153, 155  
 HOSE,10X10X94LG.....147, 149, 151  
 HOSE,10X8X384LG.....147, 149, 151  
 HOSE,10X8X396LG.....247, 249  
 HOSE,12X10-90X22.....85, 175, 177  
 HOSE,12X12X18.5".....85, 175, 177  
 HOSE,12X16-90X117LG.....145

HOSE,24X32-STSF111".....145  
 HOSE,4X4-90X14".....157  
 HOSE,4X4-90X22".....157  
 HOSE,4X4X13".....147, 149, 151, 157  
 HOSE,4X4X17".....157, 169  
 HOSE,5/16".....87  
 HOSE,6X6-90X16".....157, 163, 165, 167  
 HOSE,6X6X10".....163  
 HOSE,6X6X11".....163  
 HOSE,6X6X28".....163  
 HOSE,6X6X37".....163, 247  
 HOSE,6X6X45".....161  
 HOSE,HEATER,3/4X40.....175  
 HOSE,HEATER,3/4X58.....175  
 HOSE,LOWER RADIATOR.....91  
 HOSE,RUBBER,7/8".....87  
 HOSE,UPPER RADIATOR.....91  
 Hose-fuel, 3/8 x 90.....179  
 HOUR METER,10-80 VOLTS\*\*\*.....103-105  
 Housing.....205, 217  
 HOUSING GASKET.....33

**I**

IDLER SHAFT.....45  
 INJECTOR / FUEL.....83  
 Inlet Section with Spool.....213-214  
 INNER SPRING, LEFT SIDE.....219  
 INNER SPRING/PC.....219  
 INTAKE PIPE,JD TIER3, 644-8XX.....101  
 INTERMEDIATE BRAKE DISC.....47, 49, 51,  
 71, 73  
 INTERMEDIATE COVER.....61  
 ISO MOUNTS.....15

**J**

JAM NUT, 1/4-28.....113  
 JAM NUT,NYLOCK,5/16-18,PLATED.....235

**K**

KEY.....63  
 KEY,SET(2) ING/7-146-01,123196.....103-105  
 KIT.....213-214  
 KIT / HYDRAULIC PUMP.....85  
 KIT, CLAMP (7-125-05).....103-105  
 KIT, OIL COOLER.....175, 177  
 KIT, SAUER PUMP, 8K.....79  
 KIT,844 LIFT CYL SERV.....183, 185  
 KIT,AC BRACKETS,644/8XX.....259  
 KIT,AC COMPRESSOR,JD,644/8XX.....257  
 KIT,BRAKE LT PS-FIELD REPLACE.....229,  
 251  
 KIT,FRONT WINDSHIELD WIPER.....239  
 KIT,MID ENGINE COVER.....29, 31  
 KIT,SEAL,SWAY CYL.,O.E.MFG.....193  
 KNOB.....207  
 KNOB / SPLIT DOOR LATCH.....237

**L**

LANYARD ASSY,RETAINING WASHER.....104-  
 105  
 LARGE BOOM ASSY GTH-644.....125  
 LARGE BOOM ASSY,GTH-844.....125  
 LARGE BOOM ASSY,GTH842.....125  
 LATCH / DOOR HOLD BACK.....231, 237  
 LATCH GASKET.....235  
 LATCH, COMPRESSION, SMALL.....29, 31  
 LEV-O-GAGE INDICATOR.....103-105

## Part Description Index (continued)

LEVER.....71, 123  
 LEVER / RH.....71  
 LEVER/LH.....71  
 LIFT PUMP RELAY.....93  
 Lifting Bracket.....219  
 Lifting Lug.....213–214  
 LIGHT,BACK-UP,CLEAR.....251, 255  
 LIGHT,BRAKE,TAIL,TURN.....251, 253, 255  
 LIGHT,HEADLIGHT.....251, 253  
 LIGHT,PEDESTAL BLINKER AMBER.....251, 253  
 LIP SEAL.....217  
 Loaded U-cup.....243  
 LOCKING PLATE.....67  
 LOCKNUT.....243  
 Locknut.....193  
 LOCKWASHER.....33, 35, 43, 59  
 LOCKWASHER,10MM.....15, 85  
 LOCKWASHER,PUMP COVER SCREW.....43  
 LOOM,3/4 INCH.....83  
 LOOP CLAMP,COATED, #44.....29, 31  
 LUBE FITTING.....183, 187

**M**

MACHINE SCREW / 10-32 x 3/8 LG.....237  
 MAGNETIC PLUG.....61, 67  
 MAIN RELIEF ASSEMBLY.....213–214  
 MANIFOLD.....145, 161, 163  
 MANIFOLD,EXH,PERK T3 6/8K.....95  
 MANIFOLD,REAR LOCKUP.....229  
 MANUAL PACK,DEUTZ,TH.....83  
 MANUAL, DEUTZ BF42012 OPERATOR.....83  
 MANUAL,DEUTZ BF42012 PARTS.....83  
 MIRROR, INTERIOR.....103–105, 109  
 MIRROR,8 1/2,CONVEX.....23  
 MOTOR,12V,CONDENSER,HVAC,8K.....261  
 MOTORIZED VALVE.....259  
 MOUNT / ACCELERATOR CABLE.....113  
 MOUNT / RETURN SPRING.....113  
 MOUNT / STARTER RELAY.....81  
 MOUNT,RUBBER,CENTER,BONDED.....79  
 MOUNTING BAND, SMALL BASE.....101  
 M O U N T I N G                    B R A C K E T ,  
 ACCUMULATOR.....171, 173  
 MOUNTING PLATE (FOR 7-200-139).....123  
 MOUNTING STRAP,FUEL TANK.....19  
 MOUNTING STUD.....43  
 MOUNTING STUDS.....43  
 MUFFLER.....97, 99

**N**

Name Plate.....205  
 NEEDLE ROLLER.....43  
 NEEDLE VALVE ASSY.....247, 249  
 NUT.....35, 43, 63, 67, 71, 123, 185, 187, 251  
 NUT / NYLOCK JAM.....109, 233  
 NUT / SELF LOCKING.....231  
 NUT / STEERING WHEEL.....103–105  
 NUT,FAN BLADE,PERKINS 1004-42.....91  
 NUT,HEX,1/2-13 GRD 8.....25–26, 241  
 NUT,HEX,1/4-20.....109, 145, 157, 161, 167, 171, 233, 247, 249  
 NUT,HEX,1/4-28.....89  
 NUT,HEX,10-32.....119, 121  
 NUT,HEX,3/8-16.....15  
 NUT,HEX,5/16-18,GR8.....103–105, 163, 235, 237, 263  
 NUT,HEX,5/8NC.....15

NUT,LOCK.....241  
 NUT,LOCK,DIN 936,GR 8.8.....193  
 NUT,LP NYLOCK,1/4-20.....29, 31, 104–105  
 NUT,LP NYLOCK,10-32.....91  
 NUT,LP NYLOCK,3/8-16.....23, 91  
 NUT,NYLOCK 1 1/4.....241  
 NUT,NYLOCK, 1 1/2.....141, 143  
 NUT,NYLOCK,1-14.....127  
 NUT,NYLOCK,1/2-13.....23, 25–26, 125, 137, 143  
 NUT,NYLOCK,1/4-20.....29, 31, 97, 99, 109, 125, 133, 135, 231, 233  
 NUT,NYLOCK,10-24.....89  
 NUT,NYLOCK,3/4-10.....143  
 NUT,NYLOCK,3/4-10,GRD.8.....15, 23, 131  
 NUT,NYLOCK,3/8-16.....15, 19, 23, 25–26, 79, 99, 127, 131, 135, 137, 139, 141, 147, 149, 151, 161, 247, 249  
 NUT,NYLOCK,5/16-18,GR8.....101, 107  
 NUT,NYLOCK,M4X.70.....123  
 NUT,NYLOCK,M6X1.00.....237  
 NUT,STARTER,FLANGED,10MMX1.5MM.....95

**O**

O-RING.....33, 35, 37, 43, 61, 63, 65, 67, 71, 73, 145, 185, 189, 191, 195, 197, 199, 201, 207, 209, 213–214, 219  
 O-ring.....187, 205, 217, 243  
 O-RING 1 5/16 ID X 3/32.....189, 191  
 O-RING 1 9/16 ID X 3/32.....185  
 O-RING 3 5/8 ID X 3/16.....189, 191  
 O-RING 4 1/8 ID X 3/16.....185  
 O-RING 5 1/2 ID X 1/4.....187  
 O-RING / -021.....201  
 O-RING / MODULATOR HOUSING.....57  
 O-RING / OIL SEAL.....53  
 O-RING / PLUG.....35  
 O-RING / SLEEVE.....57  
 O-RING FLANGE.....145  
 O-RING, HEAD.....183  
 O-RING, STUB SHAFT.....183, 187  
 O-RING,12.1 X 1.60 MM,VITON.....55  
 O-RING,14.1 X 1.60 MM,VITON.....55  
 O-RING,15.1 X 1.60 MM,VITON.....55  
 O-RING,21.5 X 1.5 MM,VITON.....55  
 O-RING,SPEED SENSOR.....35  
 OIL DISTRIBUTOR SLEEVE.....47  
 OIL FILTER/ENGINE.....79  
 OIL PAN,PERKINS 1104C-44.....95  
 OIL SEAL / CONV.HOUSING.....37  
 OIL SEAL / OUTPUT SHAFT.....53  
 OUTER RACE.....67  
 OUTER SPRING, LEFT SIDE.....219  
 OUTER SPRING/PC.....219  
 OUTPUT FLANGE.....53

**P**

PANEL PLUG.....103–105, 115, 117, 119, 121  
 PANEL, FUSE BLOCK.....107  
 PANEL, STEERING ORBITAL ACCESS.....107  
 PANEL,LH REAR LOWER,STCIII.....231  
 PANTOGRAPH WIPER BASE w/ GASKE...239  
 PIN.....45  
 Pin.....205  
 PIN, FORK TINE 48".....241  
 PIN,.75X6.75.....133, 135  
 PIN,1.50 DIA X 5.13,NOTCHED.....23  
 PIN,1.50 DIA X 5.38,ONE HOLE.....25–26  
 PIN,1.50 DIA X 7.95 LG,1 HOLE.....23  
 PIN,1.50DIAX5.75LG,1 HOLE.....137  
 PIN,1.5DIAX15.5LG,1 CROSS HOLE.....127, 141  
 PIN,2 RING GROOVE.....127  
 PIN,2.00 DIA X 8.13,ONE HOLE.....25–26  
 PIN,2.00 DIA X 21.00,ONE HOLE.....241  
 PIN,2.00DIA X 19.88,ONE HOLE.....241  
 PIN,2.00DIA X 7.63,ONE HOLE.....23  
 PIN,2.00DIA X 13.13,TAPPED,NIT.....25–26  
 PIN,2.00DIA X 7.50 LG,1 HOLE..131, 135, 247, 249  
 PIN,2.50 DIA X 39.38,2 HOLE.....25–26  
 PIN,ACCUMULATOR STOP.....57  
 PIN,CHAIN ANCHOR,2.625X.313.....127, 129, 133, 135  
 PIN,FORK TINE 60".....241  
 PIN,FORK TINE 72".....241  
 PIN,ONE THRU HOLE.....15  
 PIN,ROTATE CYLINDER.....241  
 PIN,THREADED END.....143  
 PIN,TILT CYL.....125  
 PIN,TWO CROSS DRILLED HOLE.....143  
 PINNION NUT / M20 X 1.5 THREAD.....63, 65  
 PIPE / EXHAUST.....97  
 PIPE PLUG.....33, 35  
 PIPE SEALANT,LOCKTITE #567.....85  
 PIPE, AIR INLET.....101  
 PISTON.....43, 49, 63, 189, 191  
 Piston.....185, 187, 193, 243  
 PISTON & SEAL ASSEMBLY.....47  
 PISTON / RH.....71  
 Piston Assembly.....217  
 PISTON ASSY.....73  
 PISTON ASSY / RH.....71  
 PISTON ASSY LH.....71  
 PISTON RING.....47, 49, 51  
 Piston Ring.....217  
 PISTON,SWAY CYL.,O.E.MFG.....193  
 PIVOT FRAME, ROTATE 844.....241  
 PIVOT PIN.....67  
 PLANET GEAR.....67  
 PLANET GEAR CARRIER.....67  
 PLANET GEAR CARRIER ASSY.....67  
 PLASTIC BUSHING / DOOR HINGE.....235, 237  
 PLASTIC STEER COLUMN COVER LH..115, 117, 119, 121  
 PLASTIC STEER COLUMN COVER RH..115, 117, 119, 121  
 PLATE.....43, 47, 49, 51  
 PLATE, FRONT CHASSIS COVER.....23  
 PLATE, INSPECTION COVER.....145  
 PLATE, JOYSTICK MOUNT.....107  
 PLATE, PEDAL MOUNTING.....107  
 PLATE, PROT CHECK, 4 HOLE.....145  
 PLATE, SEAT MOUNT.....107  
 PLATE, STEERING SELECTOR MOUNT...107  
 PLATE, TOP.....137, 147, 149, 151, 161, 163, 247, 249  
 PLATE,ANGLE INDICATOR.....25–26, 125  
 PLATE,BASE SWAY MOUNT.....15  
 PLATE,CHAIN PIVOT.....127  
 PLATE,ENG COV,NON-EXHAUST SIDE.....31  
 PLATE,ENG COVER,EXHAUST SIDE.....31  
 PLATE,ENGINE ACCESS DOOR.....29, 31  
 PLATE,ENGINE COVER,DOOR.....31  
 PLATE,EXHAUSE SIDE ENGINE.....29, 31  
 PLATE,LOADCHART FRAME.....104–105

PLATE,RADIATOR FILL COVER.....29, 31  
 PLATE,SIDE ENG.NON EXHAUST.....29, 31  
 PLATE,TOWER COVER,REAR.....23  
 PLATE,TOWER COVER,SIDE.....23  
 PLATE,VALVE BLOCK SHIM.....165, 167, 171  
 PLUG...33, 35, 37, 61, 63, 67, 69, 71, 73, 213-214  
 Plug.....123, 205  
 PLUG / GLOW.....95  
 PLUG / PC / w/O-RING.....219  
 PLUG ASSEMBLY.....219  
 Plug Assembly.....217  
 PLUG ASSEMBLY / U-TYPE.....213-214  
 PLUG w/ O-RING.....35  
 PLUG,ENGINE OIL,PERKIN 1004-42.....95  
 PLUG,MAGNETIC DRAIN.....35  
 PLUG,SPEED SENSOR PORT.....35  
 PLUG-LS ADJUSTING.....219  
 PLUG-SOLENOID BORE.....55  
 POPPET.....35  
 Poppet.....213-214  
 PRESSURE SEAL.....207  
 PRESSURE SWITCH,1000NC\*\*\*.....171, 173  
 PRESSURE SWITCH,250NC\*\*\*.....165, 167  
 PRESSURE SWITCH,350NC\*\*\*.....171, 173  
 PSP Seal.....243  
 PULLEY,ALTERNATOR, PERK 1104C.....95  
 PULLEY,CRANKSHAFT,PERKINS 1004.....91  
 PUMP ASSEMBLY (SAUER).....85  
 PUMP ASSEMBLY,SAUER 8K.....79, 145  
 PUMP DRIVE ADAPTOR.....43  
 PUMP DRIVE IDLER GEAR.....41  
 PUMP DRIVESHAFT & PIN ASSEMBLY.....41  
 PUMP, WATER,PERKINS 1104C-44.....91  
 PUSHER.....71

**Q**

QUICK COUPLING,FEMALE.....247, 249  
 QUICK COUPLING,MALE.....247, 249

**R**

R.H. PANEL / SAF-T-CAB III.....109  
 RADIAL END CAP.....219  
 RADIATOR / DEUTZ ENGINE.....87  
 RADIATOR CAP.....79  
 RADIATOR HOSE,LOWER.....79  
 RADIATOR HOSE,UPPER.....79  
 RADIATOR PERKINS,8K & 6K MACH.....91  
 RADIATOR w/ SHROUD.....79  
 RAIN CAP W/CLAMP.....101  
 Rear Bearing Kit.....219  
 REAR LOCK UP BLOCK ASSEMBLY.....163, 229  
 REAR MOUNT,CAB SIDE.....87  
 REAR MOUNT,EXHAUST SIDE.....87  
 RECEIVER/DRIER,AC,644/8XX.....257  
 RECOVERY TANK SIGHT GLASS,1/2".....87  
 REDUCER BUSHING.....81  
 REDUCTION BUSHING.....67, 69, 71  
 REGULATOR VALVE SLEEVE.....43  
 RELAY / GLOW PLUG.....95  
 RELAY MOUNT BRACKET,DEUTZ.....83  
 RELAY, 12V.....259  
 RELAY, HIGH CAPACITY.....103-105  
 RELAY,SPDT,12V(AUTO) PLUG IN\*\*.....251, 253, 255  
 REMOTE FUEL FILTER MOUNT PLATE.....83  
 REMOTE PC SPOOL.....219

RESERVOIR,1.5L WASHER.....231  
 RETAINER.....47, 49, 51  
 Retainer Shaft.....217  
 RETAINING RING.....37  
 Retaining Ring.....205, 217  
 RETURN FILTER ASSEMBLY.....145, 209  
 RETURN SPRING / FOR -139.....123  
 REV CLUTCH GEAR & BEARING ASSY.....39  
 REVERSE IDLER GEAR.....39, 45  
 RING.....37, 59, 63  
 Ring.....205  
 RING / DOOR HOLD BACK MOUNT.....231  
 RING GEAR.....67  
 RING GEAR / FLYWHEEL.....95  
 RING GEAR SUPPORT.....67  
 RING GEAR SUPPORT ASSY.....67  
 RING NUT.....63, 65  
 RING SEAL.....219  
 RING-OIL DISTRIBUTOR.....37  
 R I N G / D O O R                      H O L D B A C K  
   MOUNT/INNER.....231  
 Rivet.....205  
 Rod Assembly.....185, 243  
 ROD ASSEMBLY / CYLINDER.....193  
 ROD END,.250 X 2.75 LG.....133, 135  
 ROD END,.375 X 3.69.....15, 23, 25-26, 137  
 ROD END,CHAIN TENSIONER.....127  
 ROD SEAL.....185, 187, 189, 191  
 Rod Wiper.....243  
 ROD WIPER / 2.50 ID 7-209-34.....187, 189  
 ROD WIPER / 3.00 ID.....185  
 ROLL PIN.....41  
 ROLLER ASSEMBLY.....131, 135  
 ROLLER BEARING.....49, 51  
 ROTATE STOPS.....241  
 ROTOR.....207  
 RUBBER BUMPER / STICK ON.....109, 231, 233  
 RUBBER SEAL WASHER.....109, 231, 233

**S**

S-HOOK.....113  
 SAFETY ELEMENT.....101  
 SCREW.....43, 67  
 Screw.....123, 205, 219  
 SCREW / M6 x 1.00 x 30mm LG./.....237  
 SCREW M4X10 (FOR 7-126-767).....55  
 SCREW,1/4-20 X 1.25,GR8.....104-105, 109, 231, 233  
 SCREW,12MM X 1.75X35MM.....15, 79, 85  
 SCREW,3/4-10X6.....15, 23  
 SCREW,3/8NF 1 3/4.....15, 85  
 SCREW,ALTERNATOR MOUNTING.....95  
 SCREW,BHHS,1/4-20X5/8,BLK.....107  
 SCREW,BHHS,3/8-16X.75,GR5.....107  
 SCREW,CAP,16X20X79.5MM,3STEP.....71  
 SCREW,CRANKSHFT,PERKIN 1004-42.....91  
 SCREW,FLANGE HEAD,10-24.....83  
 SCREW,HHC,1 1/4-7X2.5,GR8.....26  
 SCREW,HHC,1/2-13 X 1.5 GRD 8.....145  
 SCREW,HHC,1/2-13 X 1.75.....137  
 SCREW,HHC,1/2-13 X 3.75.....125  
 SCREW,HHC,1/2-13 X 4.5,GRD 8.....25-26  
 SCREW,HHC,1/2-13 X 4.5,GRD.8.....241  
 SCREW,HHC,1/2-13 X 5.5.....25-26, 143  
 SCREW,HHC,1/2-13X1.00,GR8.....21  
 SCREW,HHC,1/2-13X1.25,GR8.....103-105  
 SCREW,HHC,1/2-13X2 1/2.....79, 85  
 SCREW,HHC,1/2-13X3.75,GR8.....23, 25-26, 241  
 SCREW,HHC,1/4-20 X .625.....29, 31  
 SCREW,HHC,1/4-20 X .75.....135  
 SCREW,HHC,1/4-20 X 1.25.....125, 133, 135  
 SCREW,HHC,1/4-20 X1.50,GR8.....109, 161, 231, 233, 247, 249  
 SCREW,HHC,1/4-20X.5,GR8.....81, 104-105, 107, 109, 115, 117, 119, 121, 231, 233, 235  
 SCREW,HHC,1/4-20X.75,GR8.....23, 29, 31, 107, 111, 113, 145, 147, 149, 151, 157, 171, 173, 231  
 SCREW,HHC,1/4-20X1,GR8.....23, 97, 99  
 SCREW,HHC,1/4-20X1.75,GR8.....157, 161, 163  
 SCREW,HHC,1/4-20X2.25,GR8.....167  
 SCREW,HHC,1/4-20X3.75,GR8.....171  
 SCREW,HHC,10-24 X .75.....89  
 SCREW,HHC,3/4-10 X 6.....143  
 SCREW,HHC,3/4-10X7,GR5,Y.....131  
 SCREW,HHC,3/4-10X9.0,GR8.....15  
 SCREW,HHC,3/4-16X1.5,GR8.....129  
 SCREW,HHC,3/8-16 X .75,GR 8.....89, 107, 145, 251  
 SCREW,HHC,3/8-16 X 1 GRD 8.....23, 29, 31, 107, 145, 159, 231, 241  
 SCREW,HHC,3/8-16 X 1.25 GRD 5.....99  
 SCREW,HHC,3/8-16 X 1.75,GRD.8.....15, 23, 25-26  
 SCREW,HHC,3/8-16 X 2.....25-26, 137  
 SCREW,HHC,3/8-16 X 2.75.....139, 147, 149, 151, 247, 249  
 SCREW,HHC,3/8-16 X 3.25.....131, 135, 247, 249  
 SCREW,HHC,3/8-16 X 3.5,GR5.....127, 141  
 SCREW,HHC,3/8-16X1.25 GD307A.....83  
 SCREW,HHC,3/8-16X1.25GR8.....15, 29, 31, 145  
 SCREW,HHC,3/8-16X2.0,GR8.....79  
 SCREW,HHC,5/16-18 X .50.....25-26, 125  
 SCREW,HHC,5/16-18 X 1.25.....137, 147, 149, 151, 247, 249  
 SCREW,HHC,5/16-18 X 1.75.....137, 147, 149, 151, 155, 247, 249  
 SCREW,HHC,5/16-18 X 2.....135, 147, 149, 151, 153  
 SCREW,HHC,5/16-18 X 2.00,GR8.....147, 149, 151, 161  
 SCREW,HHC,5/16-18X.75,GR8,Y.....103-105, 159  
 SCREW,HHC,5/16-18X1.....79, 107, 171, 173  
 SCREW,HHC,5/16-18X1.25,GR8.....101, 163, 263  
 SCREW,HHC,5/16-18X1.50,GR8.....231, 235, 237, 251  
 SCREW,HHC,5/16-18X2.50,GR8.....161  
 SCREW,HHC,5/16-18X2.75,GR8.....163  
 SCREW,HHC,5/16-18X3.75,GR8.....247, 249  
 SCREW,HHC,5/8-11 X 4.0 GR8.....15  
 SCREW,HHC,M12-1.25X40MM,10.9,Y.....263  
 SCREW,HHC,M6 X 10MM.....89  
 SCREW,HHC,M8 X 55MM,GRD.8.8.....83  
 SCREW,HHCS,5/16-18 X 7/8.....87  
 SCREW,HHCS,M8 X 20MM.....83, 85  
 SCREW,M3-0.5X4.....123  
 SCREW,PHILLIPS,PHM,10-32 X .38.....115, 117, 119, 121  
 SCREW,PHILLIPS,PHM,10-32 X .5.....19

## Part Description Index (continued)

|   |   |  |
|---|---|--|
| SCREW,PHILLIPS,PHM,10-32 X .75..91, 119, 121, 145                       | SERVICE KIT,FUEL TANK,8K OLD w/ HARDWARE.....19                   | SPRING CLIP,3/8-16 LG ZINC.....29, 31                  |
| SCREW,PHM,10-24X.625.....251  | SERVICE KIT,LD CHRT HOLDER,644.....103-105                        | SPRING GUIDE, LEFT SIDE.....219                        |
| SCREW,PUMP MTG.PERMANENT COVER.....43                                   | SERVICE KIT,LD CHRT HOLDER,842.....103-105                        | Spring Guide, PC.....219                               |
| SCREW,RLM,10-24-3/4.....251   | SERVICE KIT,LD CHRT HOLDER,844.....103-105                        | SPRING KIT.....213-214                                 |
| SCREW,SET,3/8-16X.75.....143  | Servo Piston Assembly.....217                                     | SPRING PACK / FOR -139.....123                         |
| SCREW,SHC,3/8-16 X 1.75.....147, 149, 151, 195                          | SET SCREW.....243   | SPRING PIN KIT.....123                                 |
| SCREW,SHC,3/8-16 X 2.75.....147, 149, 151, 153, 155, 197, 199, 201, 203 | SHAFT / OUTPUT.....53   | SPRING PIN KIT (FOR 7-200-81).....123                  |
| SCREW,SHC,5/16-18X.75.....175, 177                                      | SHAFT,WIPER MOTOR PIVOT***.....239                                | Spring Seat.....217                                    |
| SCREW,SHC,5/16-18X2.50.....245, 247                                     | SHEAVE,CHAIN.....127, 141   | SPRING, COMPRESSION.....127                            |
| SCREW,SHC,M4-0.7X10.....123   | SHEAVE,FAN,PERK T3 6/8K.....91                                    | Spring, Flat.....205                                   |
| SCREW,SPEED SENSOR.....35   | SHEAVE,OPTION,HOSE.....131, 135, 247, 249                         | SPRING,ACCUMULATOR,INNER.....57                        |
| SCREW,THERMSTAT.PERKINS1004-42.....95                                   | SHEET.....63  | SPRING,MIDDLE.....57                                   |
| SEAL.....47, 49, 51, 63, 65, 67   | SHIFTER ASSEMBLY***.....103-105                                   | SPRING,OUTER.....57                                    |
| SEAL / OIL SUPPLY TUBE.....35   | SHIM / 0.10mm.....63, 65  | STAR WASHER,M8.....83                                  |
| SEAL KIT...145, 195, 197, 199, 201, 203, 221, 225, 227, 245             | SHIM / 0.15mm.....63, 65, 67                                      | STARTER RELAY.....81, 93                               |
| SEAL KIT / CYLINDER.....77, 185   | SHIM / 0.20MM.....67  | STARTER RELAY,12V,DEUTZ.....83                         |
| SEAL KIT / CYLINDER***.....187, 189, 191                                | SHIM / 0.20mm.....63, 65  | STARTER, DEUTZ F4L913.....83                           |
| SEAL KIT / FOR -48 ORB.....205  | SHIM / 0.30mm.....63, 65  | STARTER,ENG,PERK T3 6/8K.....95                        |
| SEAL KIT / FOR 7-182-01 SWAY C.....193                                  | SHIM / 0.40mm.....63, 65  | STATOR SUPPORT.....37                                  |
| SEAL KIT / LIFT CYLINDER.....183  | SHIM / 0.50mm.....63, 65, 67                                      | STEEL WASHER.....143                                   |
| SEAL KIT / PUMP OVERHAUL...79, 145, 217, 219                            | SHIM,2X7X.06.....127, 141   | STEERING CASE / LH.....67                              |
| SEAL KIT FOR 105628.....229   | SHRINK TUBING,1/4 ID.....145                                      | STEERING CASE / RH.....67                              |
| SEAL KIT,CHARGE PUMP.....33   | SHUT OFF SOLENOID.....83  | STEERING UNIT 250CC TEFLON***.....205                  |
| SEAL KIT,CYLINDER***.....243  | SIDE CONSOLE ASSEMBLY.....107                                     | STEERING WHEEL, 362MM.....103-105                      |
| SEAL KIT,DIR VALVE,3W2P.....229   | SIGHT GAUGE.....145   | STRAP KIT,DRIVESHAFT,1480.....15, 17                   |
| SEAL KIT,PRESSURE REDUCING.....229                                      | SINGLE BEZEL.....119, 121   | Stroke Limiter.....185, 191                            |
| SEAL RING.....83  | SLEEVE.....49, 51   | STUD.....67  |
| SEAL WASHER.....61, 63, 235, 237  | SLEEVE / OIL SEAL.....53  | STUD / 1/4-20 / PLATED.....109                         |
| SEAL, HEAD ROD.....183  | SLIDER ASSY / RH SIDE / SAF-T.....233                             | STUD,FAN MTG M8X1.25X90 PK 6/8.....93                  |
| SEAL,FELT,LWR RH WIN,SAF-T-CAB.....233                                  | Slip Stub.....17  | STUDS,STARTER, 10MMX1.5MMX65MM.....95                  |
| SEAL,THERMOSTAT HSG,PERK 6/8K.....95                                    | SLIP YOKE.....17  | SUPPORT.....69, 71                                     |
| SEAL- EXHAUST MANIFOLD PERK-44.....95                                   | Slipper Retainer.....217  | Swashplate Assembly.....217                            |
| SEAL-VALVE COVER PERKINS 1104C.....95                                   | Slipper Retainer Guide.....217                                    | Swashplate Bearing Kit.....217                         |
| SEAL/DUST CAP.....17  | Slotted Pin.....219   | SWITCH / TURN SIGNAL.....251                           |
| SEALING CAP.....123   | SNAP RING.....35, 37, 45, 47, 49, 51, 71                          | SWITCH / WATER TEMP.....93                             |
| Sealing Cap.....214   | SNAP RING / OUTPUT FLANGE.....53                                  | SWITCH, 4-WAY CONTROLLER.....123                       |
| SEALING CAP KIT.....214   | SNAP RING,EXTERNAL,1.00 DIA.....127                               | SWITCH, AUXILIARY.....103-105, 247, 249                |
| Sealing Lead.....214  | SOCKET HEAD CAPSCREW.....145                                      | SWITCH, DIFFERENTIAL LOCK.....104-105                  |
| Sealing Wire.....214  | SOLENOID ASSY/DROP IN.....55                                      | SWITCH, IGNITION...103-105, 115, 117, 119, 121         |
| SEAT ASSY, FULL-SUSPENSION.....103-105                                  | Solenoid Valve Adapter.....219                                    | SWITCH, PARKING BRAKE.....115, 117, 119, 121           |
| SEAT ASSY, STD.....103-105  | SOLENOID VALVE ASSEMBLY.....219                                   | SWITCH, TURN SIGNAL.....253                            |
| SEAT BASE.....107   | SPACER.....39, 63, 65, 71   | SWITCH,3TERM,3POS,ROCKE.....103-105                    |
| SEAT MOUNT RISER.....107  | Spacer.....205  | SWITCH,LIGHTS.....103-105, 251, 253, 255               |
| SEATBELT 2.5" WIDE STANDARD.....103-105                                 | SPACER / CYLINDER.....187   | SWITCH,PRESS,NO,50 PSI,04 OR.....229, 251, 253, 255    |
| SEATBELT,3"WIDE,REQ'D IN CA,TH.....103-105                              | SPACER / GLASS.....109, 231                                       | SWITCH,PRESSURE,AC,644/8XX.....257                     |
| SECURITY SWITCH.....63  | SPACER,7X2X.375.....127, 141                                      | SWITCH,PUSHBUTTON.....115, 117, 119, 121               |
| SELECTOR.....63   | SPACER,7X3X.375.....133, 135                                      | SWITCH,SNAP ACTION.....143                             |
| SELECTOR FORK.....63  | SPACER,7X3X.50.....127, 131, 135, 139                             | SWITCH,W/ AMBER LAMP.....103-105                       |
| SELF LOCKING NUT.....235  | SPACER,FAN,2" W/ENGINE.....79                                     | SWIVEL NUT ELBOW,-10,90DEG,....147, 149, 151           |
| Self Tapping Screw.....183, 185, 187, 189, 191                          | SPACER,FAN,PERK T3 6/8K.....93                                    |  |
| SELF-LOCKING NUT 1.25-12 THD.....189, 191                               | SPEED CABLE SWIVEL.....89   | <b>T</b>   |
| SENDER / ENG. WATER TEMP.....93   | SPEED CONTROL CABLE CLAMP.....89                                  | T WASHER,4.00X2.00X.125.....241                        |
| SENDER, ENGINE OIL PRESSURE.....81                                      | SPEED CONTROL CABLE,DEUTZ.....89                                  | T-SEAL / 4.00 OD.....189, 191                          |
| SENDER, TRANSMISSION OIL TEMP.....81                                    | SPEED LEVER EXTENSION.....89                                      | TAILPIPE.....97, 99                                    |
| SENDER,TEMP TRANSMISSION.....35   | Spline Shaft, 14 Tooth.....217                                    | TANK,FUEL,30GAL.....19, 179                            |
| SENDER,TRANSMISSION OIL PRESS.....81                                    | SPLIT FLANGE KIT, 2 IN.....145                                    | TAPER ROLLER BEARING.....63, 65                        |
| SENDER/SWITCH,ENGINE OIL TEMP.....93                                    | SPRING.....35, 43, 63, 71, 73, 113, 207, 213-214                  | TAPERED ROLLER BEARING.....63                          |
| SENDER/SWITHC,TRANS OIL TEMP.....35                                     | Spring.....205, 217, 219  | THERMOSTAT.....87, 259                                 |
| SENSOR,COOLANT TEMP.....81  | SPRING / RETAINER.....57  | THERMOSTAT&GASKETS;PERKINS.....95                      |
| SERV KIT, CONTROL, HANDLE SWITCH.....123                                | SPRING CLIP, 5/16-18.....137, 147, 149, 151                       | Thread Cap.....243                                     |
| SERVICE KIT,FLEX STEP,STCIII.....103-105                                | SPRING CLIP,1/4-20,.025-.15X.5.....23, 29, 31, 135, 147, 149, 151 | Thread Cap Head.....243                                |
|   | SPRING CLIP,3/8-16.....29, 31, 129, 137, 145, 247, 249, 251       | THREADED SPRING CLIP, 5/16.....161, 171, 173, 175, 177 |
|   |   | THROTTLE SPRING CLIP, 5/16.....161, 171, 173, 175, 177 |
|   |   | THROTTLE CABLE BRACKET.....89                          |
|   |   | THROTTLE PEDAL,FLOOR MNT,W-C.....113                   |

Thrust Bearing.....205  
 THRUST BUSHING.....67, 69  
 THRUST WASHER.....37, 45  
 THRUST WASHER, 5.00X3.00X.250.....143  
 TIE ROD.....213-214  
 TIE WRAP,8.5 X 0.13,BLACK.....85, 87  
 TILT CYL SEAL KIT.....187  
 TIRE ASSY,ROCK,CAL CHL,13 X 24.....26  
 TIRE, 13.00 X 24 G3000.....25-26  
 TIRE,14.00 X 24 G3000 10K,12PR.....25-26  
 TIRE,AIR,LEFT,1300X24.....26  
 TIRE,AIR,RIGHT,1300X24.....26  
 TIRE,CHLORIDE,LEFT,1300X24.....25-26  
 TIRE,CHLORIDE,LEFT,1400X24.....25-26  
 TIRE,CHLORIDE,RIGHT,1300X24.....26  
 TIRE,CHLORIDE,RIGHT,1400X24.....25-26  
 TIRE,FOAM,LEFT,1300X24\*\*\*.....26  
 TIRE,FOAM,LEFT,1400X24\*\*\*.....26  
 TIRE,FOAM,RIGHT,1300X24\*\*\*.....26  
 TIRE,FOAM,RIGHT,1400X24\*\*\*.....26  
 TIRE,ROCKLUG,CHLORIDE,LH,1400\*.....26  
 TIRE,ROCKLUG,CHLORIDE,RH,1400.....26  
 TIRE,ROCKLUG,FOAM,1300X24.....26  
 TIRE,ROCKLUG,FOAM,LH,1400.....26  
 TIRE,ROCKLUG,FOAM,RH,1400.....26  
 TIRE,TITAN E-3/L3-3 1300X24.....26  
 TIRE,TITAN E-3/L3-3 1400X24.....26  
 TRANS.OIL PRESSURE SENDER.....89  
 TRANS.TEMP SENDER.....89  
 TRANSMISSION ASSEMBLY/DEUTSCH...79, 91  
 TRANSMISSION CASE.....35  
 TRANSMISSION MOUNT / LH.....15, 85  
 TRANSMISSION MOUNT / RH.....15, 85  
 TRANSMISSION OIL FILTER.....43  
 TRANSMISSION,SPRING,SEAT.....35  
 TRIM,BLACK,1/2".....137  
 TUBE & SCREEN ASSEMBLY.....35  
 TUBE / FUEL LINE.....179  
 Tube Assembly.....193  
 TUBE ASSY,AUX,INNER.....247, 249  
 TUBE ASSY,AUX,OUTER,TH.....247, 249  
 TUBE ASSY,STD,INNER,TH.....147, 149, 151  
 TUBE ASSY,STD,OUTER,TH.....147, 149, 151  
 TUBE ASSY,STRAIGHT,TH.....147, 149, 151, 247, 249  
 TUBE,HIPRESS #1CYL,PERK T3 6/8.....91  
 TUBE,HIPRESS #2CYL,PERK T3 6/8.....91  
 TUBE,HIPRESS #3CYL,PERK T3 6/8.....91  
 TUBE,HIPRESS #4CYL,PERK T3 6/8.....91  
 TUBE,HOSE GUARD SLEEVE.....131  
 TURBINE SHAFT DRUM & PLUG ASSY.....47

**U**

U-BOLT W/ NUTS.....113  
 UNION,-10.....147, 149, 151, 247, 249  
 UNIVERSAL JOINT.....67  
 UPPER DOOR ASSEMBLY.....237  
 Upper Nipple.....209  
 UPPER RADIATOR MOUNT.....79

**V**

V-BELT,AC COMP,PERK1104.....257  
 VALVE.....147, 149, 151, 169  
 VALVE / REGULATOR.....43  
 VALVE BODY.....221, 247, 249  
 Valve Plate, CW.....219  
 VALVE PRESSURE REDUCING.....229

Valve Seat.....205  
 VALVE, DIRECTIONAL.....213-214  
 VALVE, MOTION.....147, 149, 151, 201  
 VALVE,DIFF.LOCK&PARKING BRAKE.....165, 167, 171  
 VALVE,DIRECTIONAL,3W2P.....229  
 VALVE,DIRECTIONAL,F130.....213-214  
 VALVE,DUAL CHECK.....147, 149, 151, 161, 203  
 VALVE,DUAL PILOT CHECK.....245, 247  
 VALVE,ELECTRIC 4WAY.....157, 221, 223, 247, 249  
 VALVE,MALE PRESSURE CHECK.....169  
 VALVE,MOTION.....147, 149, 151, 153, 155, 195, 197, 199, 201  
 VALVE,PO CHECK.....229  
 VALVE,PRESSURE CHECK,MALE.....169  
 VALVE,REAR LOCKUP.....163  
 VALVE,STEERING.....159  
 VENT.....61  
 VIBRATION ISOLATOR,RADIATOR,LOWER MOUNT.....91  
 VIBRATION ISOLATOR,RADIATOR,UPPER MOUNT.....91  
 VOLTMETER GAUGE.....115, 117, 119, 121

**W**

WARNING LIGHT.....115, 117, 119, 121  
 WASHER.....35, 41, 47, 49, 51, 71, 241  
 Washer.....205  
 WASHER BOTTLE/BRACKET ASSY.....231  
 WASHER,3/8 HARD,STEEL-FLAT,USS.....19, 23, 25-26, 29, 79, 107, 145, 231, 251  
 WASHER,5/16,NARROW.....87  
 WASHER,FENDER,5/16 X2.0 X .062.....263  
 WASHER,FLAT, 313, HARDENED.....101, 103-105, 107, 171, 173, 175, 177  
 WASHER,FLAT,.250, HARDENED.....23, 29, 31, 81, 97, 99, 103-105, 107, 109, 147, 149, 151, 157, 163, 167, 171, 231, 233, 237  
 WASHER,FLAT,.375 X 1.5 X .125.....79  
 WASHER,FLAT,.625, HARDENED.....15  
 WASHER,FLAT,.812X2X.14 HARDEN.....23  
 WASHER,FLAT,1.063 X 2 X .134.....127  
 WASHER,FLAT,1.56 X 3.5 X .061.....127, 141  
 WASHER,FLAT,2.01 X 3.5 X .06.....131, 135  
 WASHER,FLAT,MS,#10,Y.....115, 117, 119, 121, 231  
 WASHER,FLAT,USS,1/2",Y.....79, 85, 239  
 WASHER,FLAT,USS,1/4"Y.....125, 135  
 WASHER,FLAT,USS,3/8",Y.....15, 31, 83, 107, 139, 147, 149, 151, 247, 249  
 WASHER,FLAT,USS,5/16",Y.....25-26, 125  
 WASHER,FLYWHEEL,PERKINS 127HP.....95  
 WASHER,HI-LOCK.....245, 247  
 WASHER,LOCK,.25...81, 104-105, 107, 111, 113, 115, 117, 119, 121, 145, 157, 161, 163, 167, 171, 173, 247, 249  
 WASHER,LOCK,.313..79, 103-105, 159, 161, 163, 251, 263  
 WASHER,LOCK,.375.....15, 83, 85, 89, 91, 99, 107, 145, 159, 241  
 WASHER,LOCK,.625 PLTD.....15  
 WASHER,LOCK,.75 PLTD.....15, 129  
 WASHER,LOCK,0.5".....21, 26, 79, 85, 103-105, 145, 241  
 WASHER,LOCK,1 1/4.....26  
 WASHER,LOCK,HI COLLAR,.375.....147, 149, 151, 153, 155, 195, 197, 199, 201, 203

WASHER,LOCK,M12.....15, 79, 85  
 WASHER,LOCK,M14.....81, 113  
 WASHER,OIL DRAIN,PERKIN1004-42.....93, 95  
 WASHER,STAR,#10,PLTD.....83  
 WASHER,STC PLASTIC COVER.....109, 231, 233, 235, 237  
 WEAR RING.....47, 49, 51, 185, 189, 191  
 Wear Ring.....243  
 WEAR RING / HEAD.....187, 189, 191  
 WEAR RING / PISTON.....183  
 WEAR RING, HEAD.....183  
 WEARPAD,5X3X.50.....131, 133, 135  
 WEARPAD,7X2X.75.....127, 141  
 WEARPAD,7X3X.75...127, 131, 133, 135, 139, 141  
 WELD YOKE.....17  
 WELDMENT, LH FENDER SUPPORT.....263  
 WELDMENT, RH FENDER SUPPORT.....263  
 WELDMENT,ENG/RAD MOUNT,DEUTZ.....79  
 WELDMENT,ENG/RAD MOUNT,JD4045.....79  
 WELDMENT,FORK TINE,48\*\*\*.....25-26  
 WELDMENT,FORK TINE,60".....25-26  
 WELDMENT,FORK TINE,72".....25-26  
 WELDMENT,OIL RES,644/8XX.....145  
 WELDMENT,SWAY CYL MOUNT.....15  
 WELDMENT,SWITCH ACTIVATOR \*\*\*\*.....143  
 WHEEL CYLINDER.....71  
 WHEEL HUB.....67  
 WHEEL NUT.....25-26, 67  
 WHEEL STUD.....67  
 WHEEL,9.5MM RIMSHELL.....25-26  
 WINDOW / RUBBER MOUNTING / PE.....109, 233  
 WINDOW / LH / UPPER REAR.....231  
 WIPER / DOUBLE LIP.....191  
 WIPER BLADE / 28 IN. / FLEX.....239  
 WIPER MOTOR / SAF T CAB 2 & 3.....239  
 WIPER MOTOR WITHOUT SHAFT\*\*\*.....239  
 WIPER SHAFT.....183  
 WIRE.....123  
 WLDM'T,CHASSIS,STC III ISO MNT.....23

**X**

X-ring.....205

**Y**

Y-PLUG ASSEMBLY.....213-214

**Z**

ZERK,GREASE,1/8 NPT.....241  
 ZERK,GREASE,5/16-24,STRAIT.....125  
 ZIP TIE.....123

## Fitting Cross References

| Genie PN | Parker PN       | Description                             | Genie PN | Parker PN     | Description                             |
|----------|-----------------|---|----------|---------------|---|
| 12342    | 6-4 F5OX-S      | CONNECTOR,STRAIGHT THREAD TO FLARE TUBE | 42794    | 1 CR-S        | ELBOW,90°,MALE PIPE                     |
| 13757    | 4 R6X-S         | RUN TEE,SWIVEL NUT,ORFS                 | 42795    | BV-0839       | BALL VALVE                              |
| 19685    | 12-10 C5OX-S    | ELBOW,90°,STRAIGHT THREAD TO FLARE TUBE | 42796    | BV-0838       | BALL VALVE                              |
| 22664    | 12-10 C5OX      | ELBOW,90°,STRAIGHT THREAD TO FLARE TUBE | 42874    | 6-8 CLO-S     | ELBOW,90°,MALE PIPE TO ORFS             |
| 27431    | 8-12 F5OX-S     | CONNECTOR,STRAIGHT THREAD TO FLARE TUBE | 42912    | 13943-6-4     | HOSE END,90° FEMALE SWIVEL,JIC          |
| 28678    | AS-B-33         | SLEEVE,NYLON,1.81" ID                   | 42920    | BV-0840       | BALL VALVE,90°                          |
| 39871    | 6 WETX-WLN-S    | UNION,90° BULKHEAD W/NUT,FLARE TUBE     | 42932    | AS-B-17       | SLEEVE,NYLON,1.22" ID                   |
| 39872    | 4 R5OX-S        | RUN TEE,STRAIGHT THREAD                 | 42936    | 10243-2-4     | HOSE END,FEMALE PIPE                    |
| 39873    | 6 C5OX-S        | ELBOW,90°,STRAIGHT THREAD TO FLARE TUBE | 42953    | 1/2 DD-S      | ELBOW,90°,FEMALE PIPE                   |
| 39874    | 8-6 C5OX-S      | ELBOW,90°,STRAIGHT THREAD TO FLARE TUBE | 42956    | 6 WELO-WLNL-S | UNION,90° BULKHEAD W/NUT,ORFS           |
| 39875    | 4-6 C5OX-S      | ELBOW,90°,STRAIGHT THREAD TO FLARE TUBE | 45349    | 8 V5OX-S      | ELBOW,45°,STRAIGHT THREAD TO FLARE TUBE |
| 39876    | 6-8 C5OX-S      | ELBOW,90°,STRAIGHT THREAD TO FLARE TUBE | 45351    | 4 V5OX-S      | ELBOW,45°,STRAIGHT THREAD TO FLARE TUBE |
| 39877    | 4 F5OX-S        | CONNECTOR,STRAIGHT THREAD TO FLARE TUBE | 47223    | 10343-6-6     | HOSE END,MALE,JIC                       |
| 39878    | 6 F5OX-S        | CONNECTOR,STRAIGHT THREAD TO FLARE TUBE | 47419    | PS690503-6-6  | SWIVEL,90°,STRAIGHT THREAD TO 37° FLARE |
| 39879    | 4-8 F5OX-S      | CONNECTOR,STRAIGHT THREAD TO FLARE TUBE | 48750    | 421-4         | HOSE,1/4 INCH ID                        |
| 39880    | 6-10 F5OX-S     | CONNECTOR,STRAIGHT THREAD TO FLARE TUBE | 48751    | 481TC-4       | HOSE,1/4 INCH ID                        |
| 39881    | 4-6 F5OX-S      | CONNECTOR,STRAIGHT THREAD TO FLARE TUBE | 48752    | 482TC-4       | HOSE,1/4 INCH ID                        |
| 39882    | 4-HP5ON-S       | PLUG,STRAIGHT THREAD                    | 48753    | 451TC-6       | HOSE,3/8 INCH ID                        |
| 39883    | 8-8 FTX-S       | CONNECTOR,MALE PIPE TO FLARE TUBE       | 48754    | 482TC-6       | HOSE,3/8 INCH ID                        |
| 39885    | 269HB 12-12     | ELBOW,90°,BEADED HOSE BARB TO MALE PIPE | 48755    | 381-6         | HOSE,3/8 INCH ID                        |
| 39886    | 431-6           | HOSE,3/8 INCH ID                        | 48756    | 451TC-8       | HOSE,1/2 INCH ID                        |
| 39887    | 540N-2          | HOSE,1/8 INCH ID                        | 48757    | 482TC-8       | HOSE,1/2 INCH ID                        |
| 39888    | 801-8           | HOSE,1/2 INCH ID                        | 48758    | 381-8         | HOSE,1/2 INCH ID                        |
| 39889    | 801-12          | HOSE,3/4 INCH ID                        | 48759    | 381-10        | HOSE,5/8 INCH ID                        |
| 39890    | 10643-6-6       | HOSE END,FEMALE SWIVEL,JIC              | 48760    | 451TC-10      | HOSE,5/8 INCH ID                        |
| 39891    | 13943-6-6       | HOSE END,90° FEMALE SWIVEL,JIC          | 48761    | 482TC-12      | HOSE,3/4 INCH ID                        |
| 39892    | 13743-6-6       | HOSE END,45° FEMALE SWIVEL,JIC          | 48762    | 451TC-12      | HOSE,3/4 INCH ID                        |
| 39894    | 30682-8-8       | HOSE END,FEMALE SWIVEL,JIC              | 48763    | 772-12        | HOSE,3/4 INCH ID                        |
| 39895    | 30682-10-12     | HOSE END,FEMALE SWIVEL,JIC              | 48764    | 881-16        | HOSE,1 INCH ID                          |
| 42286    | 8-8 CTX-S       | ELBOW,90°,MALE PIPE TO FLARE TUBE       | 48765    | 772-16        | HOSE,1 INCH ID                          |
| 42756    | 8-12 CLO-S      | ELBOW,90,MALE PIPE TO ORFS              | 48766    | AS-B-15       | SLEEVE,NYLON,1.06" ID                   |
| 42757    | 8-12 FLO-S      | CONNECTOR,MALE PIPE TO ORFS             | 48767    | AS-B-22       | SLEEVE,NYLON,1.42" ID                   |
| 42758    | 4 JLO-S         | UNION TEE,ORFS                          | 48770    | 881-8         | HOSE,1/2 INCH ID                        |
| 42759    | 4-4 FLO-S       | CONNECTOR,MALE PIPE TO ORFS             |          |               |   |
| 42760    | 6-8 FLO-S       | CONNECTOR,MALE PIPE TO ORFS             |          |               |   |
| 42761    | 1J143-6-4       | HOSE END,90° FEMALE SWIVEL,SEAL LOK     |          |               |   |
| 42762    | 1J743-6-4       | HOSE END,45° FEMALE SWIVEL,SEAL LOK     |          |               |   |
| 42768    | 1JO43-4-4       | HOSE END,MALE,SEAL LOK                  |          |               |   |
| 42776    | 601-8           | HOSE,1/2 INCH ID                        |          |               |   |
| 42777    | 1J743-16-16     | HOSE END,45° FEMALE SWIVEL,SEAL LOK     |          |               |   |
| 42786    | 16 CLO-S        | ELBOW,90°,MALE PIPE TO ORFS             |          |               |   |
| 42787    | 16 R6LO-S       | RUN TEE,SWIVEL NUT,ORFS                 |          |               |   |
| 42788    | 16-8 TRLO-BL-S  | REDUCER,TUBE END TO SWIVEL,ORFS         |          |               |   |
| 42789    | 6-6 CLO-S       | ELBOW,90°,MALE PIPE TO ORFS             |          |               |   |
| 42790    | 8-10 V5OLO-S    | ELBOW,45°,STRAIGHT THREAD TO ORFS       |          |               |   |
| 42791    | 3/4 CD-S        | ELBOW,90°,MALE TO FEMALE PIPE           |          |               |   |
| 42792    | 3/4 X 1/2 PTR-S | REDUCER,MALE TO FEMALE PIPE             |          |               |   |
| 42793    | 1/2 CR-S        | ELBOW,90°,MALE PIPE                     |          |               |   |

Fitting Cross References (Continued)

| Genie PN | Parker PN   | Description                         |
|----------|-------------|-------------------------------------|
| 48771    | 881-10      | HOSE,5/8 INCH ID                    |
| 48772    | 381-4       | HOSE,1/4 INCH ID                    |
| 48773    | AS-B-13     | SLEEVE,NYLON,.86" ID                |
| 48800    | 1JC43-4-4   | HOSE END,FEMALE SWIVEL,SEAL LOK     |
| 48801    | 1J743-4-4   | HOSE END,45° FEMALE SWIVEL,SEAL LOK |
| 48802    | 1J943-4-4   | HOSE END,90° FEMALE SWIVEL,SEAL LOK |
| 48804    | 1JM43-4-4   | HOSE END,MALE,SEAL LOK, NO O-RING   |
| 48805    | 10643-4-4   | HOSE END,FEMALE SWIVEL,JIC          |
| 48806    | 13943-4-4   | HOSE END,90° FEMALE SWIVEL,JIC      |
| 48807    | 1JS43-4-4   | HOSE END,FEMALE SWIVEL,SEAL LOK     |
| 48808    | 3JC82-8-8   | HOSE END,FEMALE SWIVEL,SEAL LOK     |
| 48809    | 3JC82-12-12 | HOSE END,FEMALE SWIVEL,SEAL LOK     |
| 48810    | 1JC43-6-4   | HOSE END,FEMALE SWIVEL,SEAL LOK     |
| 48811    | 1J943-6-4   | HOSE END,90° FEMALE SWIVEL,SEAL LOK |
| 48812    | 1JC43-6-6   | HOSE END,FEMALE SWIVEL,SEAL LOK     |
| 48813    | 1J143-6-6   | HOSE END,90° FEMALE SWIVEL,SEAL LOK |
| 48814    | 1J543-6-6   | HOSE END,90° FEMALE SWIVEL,SEAL LOK |
| 48815    | 1J743-6-6   | HOSE END,45° FEMALE SWIVEL,SEAL LOK |
| 48816    | 1J943-6-6   | HOSE END,90° FEMALE SWIVEL,SEAL LOK |
| 48817    | 1JS43-6-8   | HOSE END,FEMALE SWIVEL,SEAL LOK     |
| 48818    | 1J943-8-4   | HOSE END,90° FEMALE SWIVEL,SEAL LOK |
| 48819    | 1JC43-8-6   | HOSE END,FEMALE SWIVEL,SEAL LOK     |
| 48820    | 1J743-8-6   | HOSE END,45° FEMALE SWIVEL,SEAL LOK |
| 48821    | 1J943-8-6   | HOSE END,90° FEMALE SWIVEL,SEAL LOK |
| 48822    | 1JC43-8-8   | HOSE END,FEMALE SWIVEL,SEAL LOK     |
| 48823    | 1JS43-8-8   | HOSE END,FEMALE SWIVEL,SEAL LOK     |
| 48824    | 1J143-8-8   | HOSE END,90° FEMALE SWIVEL,SEAL LOK |
| 48825    | 1J543-8-8   | HOSE END,90° FEMALE SWIVEL,SEAL LOK |
| 48826    | 1J743-8-8   | HOSE END,45° FEMALE SWIVEL,SEAL LOK |
| 48827    | 1J943-8-8   | HOSE END,90° FEMALE SWIVEL,SEAL LOK |
| 48828    | 1JC43-10-8  | HOSE END,FEMALE SWIVEL,SEAL LOK     |
| 48829    | 1JS43-10-8  | HOSE END,FEMALE SWIVEL,SEAL LOK     |
| 48830    | 1J743-10-8  | HOSE END,45° FEMALE SWIVEL,SEAL LOK |
| 48831    | 1J943-10-8  | HOSE END,90° FEMALE SWIVEL,SEAL LOK |
| 48833    | 1JC43-10-10 | HOSE END,FEMALE SWIVEL,SEAL LOK     |
| 48834    | 1J943-10-10 | HOSE END,90° FEMALE SWIVEL,SEAL LOK |
| 48835    | 1JS43-10-12 | HOSE END,FEMALE SWIVEL,SEAL LOK     |
| 48836    | 1JC43-12-8  | HOSE END,FEMALE SWIVEL,SEAL LOK     |
| 48837    | 1JS43-12-8  | HOSE END,FEMALE SWIVEL,SEAL LOK     |
| 48838    | 1J743-12-8  | HOSE END,45° FEMALE SWIVEL,SEAL LOK |
| 48839    | 1J943-12-8  | HOSE END,90° FEMALE SWIVEL,SEAL LOK |
| 48840    | 1J943-12-10 | HOSE END,90° FEMALE SWIVEL,SEAL LOK |
| 48841    | 1JC43-12-12 | HOSE END,FEMALE SWIVEL,SEAL LOK     |
| 48842    | 1JO43-12-12 | HOSE END,MALE,SEAL LOK              |
| 48843    | 1J143-12-12 | HOSE END,90° FEMALE SWIVEL,SEAL LOK |
| 48844    | 1J543-12-12 | HOSE END,90° FEMALE SWIVEL,SEAL LOK |
| 48845    | 1J743-12-12 | HOSE END,45° FEMALE SWIVEL,SEAL LOK |
| 48846    | 1J943-12-12 | HOSE END,90° FEMALE SWIVEL,SEAL LOK |

| Genie PN | Parker PN       | Description                                   |
|----------|-----------------|---|
| 48847    | 13943-12-12     | HOSE END,90° FEMALE SWIVEL,JIC                |
| 48848    | 10543-12-12     | HOSE END,MALE,STRAIGHT THREAD                 |
| 48849    | 1JC71-12-12     | HOSE END,FEMALE SWIVEL,SEAL LOK               |
| 48850    | 1JS71-12-12     | HOSE END,FEMALE SWIVEL,SEAL LOK               |
| 48851    | 1J171-12-12     | HOSE END,90° FEMALE SWIVEL,SEAL LOK           |
| 48852    | 1J771-12-12     | HOSE END,45° FEMALE SWIVEL,SEAL LOK           |
| 48853    | 1J971-12-12     | HOSE END,90° FEMALE SWIVEL,SEAL LOK           |
| 48854    | 1JC43-16-16     | HOSE END,FEMALE SWIVEL,SEAL LOK               |
| 48855    | 1J943-16-16     | HOSE END,90° FEMALE SWIVEL,SEAL LOK           |
| 48856    | 1J171-16-16     | HOSE END,90° FEMALE SWIVEL,SEAL LOK           |
| 48857    | 1J971-16-16     | HOSE END,90° FEMALE SWIVEL,SEAL LOK           |
| 48859    | 1JS43-8-4       | HOSE END,FEMALE SWIVEL,SEAL LOK               |
| 48867    | PD36BTL         | DIAGNOSTIC NIPPLE,SEAL-LOK SWIVEL             |
| 48873    | 6 PNLO-S        | PLUG,TUBE END,ORFS                            |
| 48874    | 6 PNTX-S        | PLUG,FLARE TUBE                               |
| 48875    | 6 R6LO-S        | RUN TEE,SWIVEL NUT,ORFS                       |
| 48877    | 4 F5OLO-SW/.025 | CONNECTOR,STRAIGHT THREAD TO ORFS, W/.025 ORI |
| 48878    | 16-12 C5OLO-S   | ELBOW,90°,STRAIGHT THREAD TO ORFS             |
| 48879    | 8 C6LO-S        | ELBOW,90°,SWIVEL NUT ORFS                     |
| 48880    | PD6-285         | CAP,DIAGNOSTIC NIPPLE                         |
| 48881    | 6 HLO-S         | UNION,ORFS                                    |
| 48883    | 8 P5ON-S        | PLUG,STRAIGHT THREAD                          |
| 48884    | 8M18F87OMLO-S   | CONNECTOR,METRIC,STRAIGHT THREAD TO ORFS      |
| 48885    | 4 WGTX-WLN-S    | CONNECTOR,BULKHEAD,FEMALE PIPE TO FLARE TUBE  |
| 48886    | 4 F5OLO-SW/2MM  | CONNECTOR,MACHINED STRAIGHT THREAD TO ORFS    |
| 48887    | 4 CTX-S         | ELBOW,90°,MALE PIPE TO FLARE TUBE             |
| 48888    | 10-12 V5OLO-S   | ELBOW,45°,STRAIGHT THREAD TO ORFS             |
| 48890    | 4 S5OLO-S       | BRANCH TEE,STRAIGHT THREAD TO ORFS            |
| 48891    | 4 S6LO-S        | BRANCH TEE,SWIVEL NUT TO ORFS                 |

## Fitting Cross References (Continued)

| Genie PN | Parker PN         | Description                                      | Genie PN | Parker PN      | Description                            |
|----------|-------------------|--|----------|----------------|--|
| 48892    | 6 C6LO-S          | ELBOW,90°,SWIVEL NUT ORFS                        | 48938    | 8 R6LO-S       | RUN TEE,SWIVEL NUT,ORFS                |
| 48893    | 6 F5OHAO-S        | UNION,STRAIGHT THREAD                            | 48939    | 8 S6LO-S       | BRANCH TEE,SWIVEL NUT TO ORFS          |
| 48894    | 8 WLO-WLNL-S      | UNION,BULKHEAD,ORFS                              | 48940    | 8 WJLO-WLNL-S  | RUN TEE, BULKHEAD,ORFS                 |
| 48895    | DT-370-MSMO-5     | VALVE,CHECK                                      | 48941    | 8-4 TRLO-S     | REDUCER,TUBE END TO SWIVEL,ORFS        |
| 48896    | 6 JLO-S           | UNION,TEE,ORFS                                   | 48942    | 8-6 C5OLO-S    | ELBOW,90°,STRAIGHT THREAD TO ORFS      |
| 48897    | DT-750-MSMS-5     | VALVE,CHECK                                      | 48943    | 8-6 F5OLO-S    | CONNECTOR,STRAIGHT THREAD TO ORFS      |
| 48898    | DT-750-MOMS-5     | VALVE,CHECK                                      | 48944    | 8-8 FLO-S      | CONNECTOR,MALE PIPE TO ORFS            |
| 48899    | DT-620-MOMS-5     | VALVE,CHECK                                      | 48945    | 8 FTX-S        | CONNECTOR,MALE PIPE TO FLARE TUBE      |
| 48900    | 4-6 F5OLO-SW/.035 | CONNECTOR,STRAIGHT THREAD TO ORFS,<br>W/.035 ORI | 48946    | 8-10 F5OLO-S   | CONNECTOR,STRAIGHT THREAD TO ORFS      |
| 48902    | 16-1 AOE4G-S      | ELBOW,90° LONG,FEMALE PIPE TO<br>STRAIGHT THREAD | 48947    | 8-12 C5OLO-S   | ELBOW,90°,STRAIGHT THREAD TO ORFS      |
| 48903    | 1 FF-S            | NIPPLE,PIPE                                      | 48948    | 8-12 F5OLO-S   | CONNECTOR,STRAIGHT THREAD TO ORFS      |
| 48904    | 4 C5OLO-S         | ELBOW,90°,STRAIGHT THREAD TO ORFS                | 48949    | 8-16 F5OLO-S   | CONNECTOR,STRAIGHT THREAD TO ORFS      |
| 48905    | 4 F5OLO-S         | CONNECTOR,STRAIGHT THREAD TO ORFS                | 48950    | 10 C5OLO-S     | ELBOW,90°,STRAIGHT THREAD TO ORFS      |
| 48906    | 4 R5OLO-S         | RUN TEE,STRAIGHT THREAD                          | 48951    | 10 CC5OLO-S    | ELBOW,90° LONG,STRAIGHT THREAD TO ORFS |
| 48907    | 4 V5OLO-S         | ELBOW,45°,STRAIGHT THREAD TO ORFS                | 48952    | 10 F5OLO-S     | CONNECTOR,STRAIGHT THREAD TO ORFS      |
| 48908    | 4 R6LO-S          | RUN TEE,SWIVEL NUT,ORFS                          | 48953    | 10 R5OLO-S     | RUN TEE,STRAIGHT THREAD                |
| 48909    | 4 WJLO-WLNL-S     | RUN TEE, BULKHEAD,ORFS                           | 48954    | 10 S5OLO-S     | BRANCH TEE,STRAIGHT THREAD TO ORFS     |
| 48910    | 4 GTX-S W/.030    | CONNECTOR,FEMALE PIPE TO FLARE TUBE              | 48955    | 10 R6LO-S      | RUN TEE,SWIVEL NUT,ORFS                |
| 48911    | 4-6 C5OLO-S       | ELBOW,90°,STRAIGHT THREAD TO ORFS                | 48956    | 10-4 TRLO-BL-S | REDUCER,TUBE END TO SWIVEL,ORFS        |
| 48912    | 4-6 F5OLO-S       | CONNECTOR,STRAIGHT THREAD TO ORFS                | 48957    | 10-6 TRLO-BL-S | REDUCER,TUBE END TO SWIVEL,ORFS        |
| 48913    | 4-6 F5OLO-SW/.030 | CONNECTOR,STRAIGHT THREAD TO ORFS,<br>W/.030 ORI | 48958    | 10-12 F5OLO-S  | CONNECTOR,STRAIGHT THREAD TO ORFS      |
| 48914    | 4-8 F5OLO-S       | CONNECTOR,STRAIGHT THREAD TO ORFS                | 48959    | 12 C5OLO-S     | ELBOW,90°,STRAIGHT THREAD TO ORFS      |
| 48915    | 6 C5OLO-S         | ELBOW,90°,STRAIGHT THREAD TO ORFS                | 48960    | 12 F5OLO-S     | CONNECTOR,STRAIGHT THREAD TO ORFS      |
| 48916    | 6 F5OLO-S         | CONNECTOR,STRAIGHT THREAD TO ORFS                | 48961    | 12 R5OLO-S     | RUN TEE,STRAIGHT THREAD                |
| 48917    | 6 FF5OLO-S        | CONNECTOR,LONG,STRAIGHT THREAD TO ORFS           | 48962    | 12 S5OLO-S     | BRANCH TEE,STRAIGHT THREAD TO ORFS     |
| 48918    | 6 R5OLO-S         | RUN TEE,STRAIGHT THREAD                          | 48963    | 12 V5OLO-S     | ELBOW,45°,STRAIGHT THREAD TO ORFS      |
| 48919    | 6 S5OLO-S         | BRANCH TEE,STRAIGHT THREAD TO ORFS               | 48964    | 12 R6LO-S      | RUN TEE,SWIVEL NUT,ORFS                |
| 48920    | 6 V5OLO-S         | ELBOW,45°,STRAIGHT THREAD TO ORFS                | 48965    | 12 CLO-S       | ELBOW,90°,MALE PIPE TO ORFS            |
| 48921    | 6 FLO-S           | CONNECTOR,MALE PIPE TO ORFS                      | 48966    | 12 FLO-S       | CONNECTOR,MALE PIPE TO ORFS            |
| 48922    | 6-6 FLO-S         | CONNECTOR,MALE PIPE TO ORFS                      | 48967    | 12 JLO-S       | UNION TEE,ORFS                         |
| 48923    | 6 P5ON-S          | PLUG,STRAIGHT THREAD                             | 48968    | 12 WLO-WLNL-S  | UNION,BULKHEAD,ORFS                    |
| 48925    | 6 WELO-S          | UNION,90° BULKHEAD,ORFS                          | 48969    | 12 WJLO-WLNL-S | RUN TEE, BULKHEAD,ORFS                 |
| 48926    | 6-4 C5OLO-S       | ELBOW,90°,STRAIGHT THREAD TO ORFS                | 48970    | 12 WELO-WLNL-S | UNION,90° BULKHEAD W/NUT,ORFS          |
| 48927    | 6-4 F5OLO-S       | CONNECTOR,STRAIGHT THREAD TO ORFS                |          |                |  |
| 48928    | 6-4 V5OLO-S       | ELBOW,45°,STRAIGHT THREAD TO ORFS                |          |                |  |
| 48929    | 6-8 C5OLO-S       | ELBOW,90°,STRAIGHT THREAD TO ORFS                |          |                |  |
| 48930    | 6-8 F5OLO-S       | CONNECTOR,STRAIGHT THREAD TO ORFS                |          |                |  |
| 48931    | 6-10 F5OLO-S      | CONNECTOR,STRAIGHT THREAD TO ORFS                |          |                |  |
| 48932    | 8 C5OLO-S         | ELBOW,90°,STRAIGHT THREAD TO ORFS                |          |                |  |
| 48933    | 8 F5OLO-S         | CONNECTOR,STRAIGHT THREAD TO ORFS                |          |                |  |
| 48934    | 8 FF5OLO-S        | CONNECTOR,LONG,STRAIGHT THREAD TO ORFS           |          |                |  |
| 48935    | 8 R5OLO-S         | RUN TEE,STRAIGHT THREAD                          |          |                |  |
| 48936    | 8 S5OLO-S         | BRANCH TEE,STRAIGHT THREAD TO ORFS               |          |                |  |
| 48937    | 8 V5OLO-S         | ELBOW,45°,STRAIGHT THREAD TO ORFS                |          |                |  |



Fitting Cross References (Continued)

| Genie PN | Parker PN     | Description                                    | Genie PN | Parker PN      | Description                            |
|----------|---------------|--|----------|----------------|--|
| 48971    | 12 G5G5JG5-S  | TEE,FEMALE STRAIGHT THREAD                     | 49612    | PKT02586       | O-RING KIT (ORFS FITTINGS)             |
| 48972    | 12 XHL6-S     | ADAPTER, 37° MALE TO SWIVEL ORFS               | 49613    | PKT06276       | PLUG AND CAP KIT-SERVICE,ORFS          |
| 48973    | 12-1/2 F5OG-S | ADAPTER,FEMALE PIPE TO STRAIGHT THREAD         | 49728    | 10143-12-12    | HOSE END, MALE PIPE                    |
| 48974    | 12-10 C5OLO-S | ELBOW,90°,STRAIGHT THREAD TO ORFS              | 49729    | 16-1 F5OG-S    | ADAPTER,FEMALE PIPE TO STRAIGHT THREAD |
| 48975    | 12-10 F5OLO-S | CONNECTOR,STRAIGHT THREAD TO ORFS              | 49814    | 12-8 FLO-S     | CONNECTOR,MALE PIPE TO ORFS            |
| 48976    | 12-16 C5OLO-S | ELBOW,90°,STRAIGHT THREAD TO ORFS              | 49829    | DT-500-MOMF-5  | VALVE,CHECK                            |
| 48977    | 12-16 F5OLO-S | CONNECTOR,STRAIGHT THREAD TO ORFS              | 49831    | 881-12         | HOSE,3/4 INCH ID                       |
| 48978    | 12-16 V5OLO-S | ELBOW,45°,STRAIGHT THREAD TO ORFS              | 49834    | 16 JLO-S       | UNION TEE,ORFS                         |
| 48980    | 12-16 FLO-S   | CONNECTOR,MALE PIPE TO ORFS                    | 49838    | 12-8 TRLO-BL-S | REDUCER,TUBE END TO SWIVEL,ORFS        |
| 48983    | 16 C5OLO-S    | ELBOW,90°,STRAIGHT THREAD TO ORFS              | 49840    | 8 JLO-S        | UNION TEE,ORFS                         |
| 48984    | 16 F5OLO-S    | CONNECTOR,STRAIGHT THREAD TO ORFS              | 49844    | 10-8 TRLO-BL-S | REDUCER,TUBE END TO SWIVEL,ORFS        |
| 48985    | 16 V5OLO-S    | ELBOW,45°,STRAIGHT THREAD TO ORFS              | 49854    | 8 P5ON-S       | PLUG,STRAIGHT THREAD                   |
| 48986    | 16 FLO-S      | CONNECTOR,MALE PIPE TO ORFS                    | 49855    | 1JC43-16-12    | HOSE END,FEMALE SWIVEL,SEAL LOK        |
| 48988    | 16 CD45-S     | ELBOW,45°,MALE TO FEMALE PIPE                  | 49859    | 4 P5ON-S       | PLUG,STRAIGHT THREAD                   |
| 48989    | 12 CD45-S     | ELBOW,45°,MALE TO FEMALE PIPE                  | 49861    | 4 FF5OLO-S     | CONNECTOR,LONG,STRAIGHT THREAD TO ORFS |
| 48990    | 8 CD45-S      | ELBOW,45°,MALE TO FEMALE PIPE                  | 49867    | 12-3/4 F5OG-S  | ADAPTER,FEMALE PIPE TO STRAIGHT THREAD |
| 48991    | 16-12 FLO-S   | CONNECTOR,MALE PIPE TO ORFS                    | 51152    | 6 R6X-S        | RUN TEE,SWIVEL NUT,ORFS                |
| 48992    | 16-12 V5OLO-S | ELBOW,45°,STRAIGHT THREAD TO ORFS              | 51153    | 6-4 TRTX-S     | REDUCER,TUBE END TO SWIVEL,ORFS        |
| 48993    | XV501-12      | BALL VALVE                                     | 51154    | 4-4 GTX        | CONNECTOR,FEMALE PIPE TO FLARE TUBE    |
| 48994    | XV501-16      | BALL VALVE                                     | 51264    | 881-12         | HOSE,3/4 INCH ID                       |
| 48995    | XV510P-12     | BALL VALVE                                     | 51265    | 8 JLO-S        | UNION TEE,ORFS                         |
| 48996    | XV510P-16     | BALL VALVE                                     | 51508    | 6 BTX-S        | NUT,FLARE TUBE                         |
| 48997    | PD341         | DIAGNOSTIC NIPPLE, STRAIGHT THREAD             | 51580    | 12-8 TRLO-BL-S | TUBE END REDUCER,ORFS                  |
| 48998    | PD 361        | DIAGNOSTIC NIPPLE, STRAIGHT THREAD             | 51628    | 6 R6X-S        | RUN TEE,SWIVEL NUT,ORFS                |
| 48999    | DT-500-MOMS-5 | VALVE,CHECK                                    | 51735    | 3/8 HHP        | PLUG,PIPE THREAD                       |
| 49201    | 10 V5OLO-S    | ELBOW,45°,STRAIGHT THREAD TO ORFS              | 51803    | 1J943-6-8      | HOSE END,90° FEMALE SWIVEL,SEAL LOK    |
| 49202    | 1JC43-12-10   | HOSE END,FEMALE SWIVEL,SEAL LOK                | 53023    | 125HBL-5-4     | FITTING,HOSE BARB TO MALE PIPE         |
| 49203    | 10-8 V5OLO-S  | ELBOW,45°,STRAIGHT THREAD TO ORFS              | 53497    | PKT02585       | O-RING KIT                             |
| 49205    | 6 F5OHAO-S    | UNION,STRAIGHT THREAD                          | 53499    | 1JC71-16-16    | HOSE END,FEMALE SWIVEL,SEAL LOK        |
| 49207    | PD34BTL       | DIAGNOSTIC NIPPLE,SEAL-LOK SWIVEL              | 53500    | 3-904          | O-RING,STRAIGHT THREAD,-4              |
| 49209    | 8M18F870MX-S  | CONNECTOR,METRIC,STRAIGHT THREAD TO FLARE TUBE | 53501    | 3-906          | O-RING,STRAIGHT THREAD,-6              |
| 49212    | 8 WGTX-WLN-S  | CONNECTOR,BULKHEAD,FEMALE PIPE TO FLARE TUBE   | 53502    | 3-908          | O-RING,STRAIGHT THREAD,-8              |
| 49213    | 30682-8-8     | HOSE END,FEMALE SWIVEL,JIC                     | 53503    | 3-910          | O-RING,STRAIGHT THREAD,-10             |
| 49216    | 831-8         | HOSE,1/2 INCH ID                               |          |                |  |
| 49217    | 33982-8-8     | HOSE END,90° FEMALE SWIVEL,JIC                 |          |                |  |
| 49219    | PS-B-35       | SLEEVE,NYLON,2.19" ID                          |          |                |  |
| 49418    | 4-6 V5OLO-S   | ELBOW,45°,STRAIGHT THREAD TO ORFS              |          |                |  |
| 49511    | DT370-MOMS-5  | VALVE,CHECK                                    |          |                |  |
| 49512    | 1 DD-S        | ELBOW,90°,FEMALE PIPE                          |          |                |  |
| 49513    | 1 FF-S        | NIPPLE,PIPE                                    |          |                |  |
| 49514    | 10 HP5ON-S    | PLUG,STRAIGHT THREAD                           |          |                |  |
| 49515    | 12-16 CLO-S   | ELBOW,90°,MALE PIPE TO ORFS                    |          |                |  |
| 49517    | 6 HP5ON-S     | PLUG,STRAIGHT THREAD                           |          |                |  |
| 49519    | 16-12 F5OLO-S | CONNECTOR,STRAIGHT THREAD TO ORFS              |          |                |  |
| 49520    | 4 VTX-S       | ELBOW,45°,MALE PIPE TO FLARE TUBE              |          |                |  |
| 49530    | 16 C6LO-S     | ELBOW,90°,SWIVEL NUT ORFS                      |          |                |  |

## Fitting Cross References (Continued)

| Genie PN | Parker PN     | Description                                | Genie PN | Parker PN       | Description                              |
|----------|---------------|--|----------|-----------------|--|
| 53535    | 3-912         | O-RING,STRAIGHT THREAD,-12                 | 61083    | 24 F5OLO-S      | CONNECTOR,STRAIGHT THREAD TO ORFS        |
| 53536    | 4-PNLO-S      | PLUG,TUBE END,ORFS                         | 61086    | 20 R5OLO-S      | RUN TEE,STRAIGHT THREAD                  |
| 53537    | 6 PNLO-S      | PLUG,TUBE END,ORFS                         | 61090    | 24-20 F5OLO-S   | CONNECTOR,STRAIGHT THREAD TO ORFS        |
| 53538    | 8 PNLO-S      | PLUG,TUBE END,ORFS                         | 61091    | 1J943 24-24     | HOSE END,90° FEMALE SWIVEL,SEAL LOK      |
| 53539    | 10 PNLO-S     | PLUG,TUBE END,ORFS                         | 61093    | 1J978-12-12     | HOSE END,90° FEMALE SWIVEL,JIC           |
| 53540    | 12 PNLO-S     | PLUG,TUBE END,ORFS                         | 61095    | 1JS43-20-16     | HOSE END,FEMALE SWIVEL,SEAL LOK          |
| 53946    | 129HB-5-4     | FITTING,90° HOSE BARB TO MALE PIPE         | 61100    | 811-24          | HOSE,11/2 INCH ID                        |
| 53951    | 8-1/4F50G-S   | ADAPTER,FEMALE PIPE TO STRAIGHT THREAD     | 61130    | 1JS43-24-24     | HOSE END,FEMALE SWIVEL,SEAL LOK          |
| 53980    | 6 S6LO-S      | BRANCH TEE,SWIVEL NUT TO ORFS              | 61131    | 1JS78 12-12     | HOSE END,FEMALE SWIVEL,SEAL LOK          |
| 54132    | 4 C6LO-S      | ELBOW,90°,SWIVEL NUT ORFS                  | 61132    | 1J778-12-12     | HOSE END,45° FEMALE SWIVEL,JIC           |
| 54135    | 11343-16-16   | HOSE END,MALE SWIVEL,PIPE                  | 61152    | 139HB-6-4       | ELBOW,45°,BARB TO MALE PIPE              |
| 54283    | 8-10 C5OLO-S  | ELBOW,90°,STRAIGHT THREAD TO ORFS          | 61251    | BV-0750         | BALL VALVE                               |
| 54428    | 8M18C870MLO-S | ELBOW, 90° METRIC, STRAIGHT THREAD TO ORFS | 61259    | 4 CC5OLO-S      | ELBOW,90° LONG,STRAIGHT THREAD TO ORFS   |
| 54803    | FS-F-16-10    | SLEEVE,FIRE,-96" ID                        | 61260    | 20-12 TRLO-BL   | REDUCER,TUBE END TO SWIVEL,ORFS          |
| 54954    | 10143-2-4     | HOSE END, MALE PIPE                        | 61262    | 12 C6LO-S       | ELBOW,90°,SWIVEL NUT ORFS                |
| 55190    | 3/8 HP-S      | PLUG,PIPE THREAD                           | 61263    | 20 F5OHAO-S     | UNION,STRAIGHT THREAD                    |
| 55448    | 8 HLO-S       | UNION,ORFS                                 | 61264    | 6-10 C5OLO-S    | ELBOW,90°,STRAIGHT THREAD TO ORFS        |
| 55839    | 6 F65OX-S     | CONNECTOR,STRAIGHT THREAD TO 37° SWIVEL    | 61265    | 6 WNLO-WLNL-S   | UNION,BULKHEAD 45°,ORFS                  |
| 55968    | 10 C5OX-S     | ELBOW,90°,STRAIGHT THREAD TO FLARE TUBE    | 61268    | 4 WNLO-WLNL-S   | UNION,BULKHEAD 45°,ORFS                  |
| 56003    | 6 CC5OLO-S    | ELBOW,90° LONG,STRAIGHT THREAD TO ORFS     | 61269    | 4 WLO-WLNL-S    | UNION,BULKHEAD,ORFS                      |
| 56166    | BV-0837       | BALL VALVE,90°                             | 61272    | 12 AOEL6        | ELBOW,90°,STRAIGHT THREAD TO ORFS SWIVEL |
| 56188    | 10143-8-6     | HOSE END, MALE PIPE                        | 61316    | 482TC-16        | HOSE,1 INCH ID                           |
| 56233    | 2-011         | O-RING,ORFS,-4                             | 61321    | 6 JLO-S         | UNION TEE,ORFS                           |
| 56234    | 2-012         | O-RING,ORFS,-6                             | 61327    | 782-12          | HOSE,3/4 INCH ID                         |
| 56235    | 2-014         | O-RING,ORFS,-8                             | 61328    | 881-24          | HOSE,11/2 INCH ID                        |
| 56236    | 2-016         | O-RING,ORFS,-10                            | 61336    | 11943-20-24     | HOSE END,90° FLANGE HEAD                 |
| 56237    | 2-018         | O-RING,ORFS,-12                            | 61345    | 12 WJLO-WLNL-S  | RUN TEE, BULKHEAD,ORFS                   |
| 56238    | 2-021         | O-RING,ORFS,-16                            | 61346    | 8 WNLO-WLNL-S 4 | UNION,BULKHEAD 45°,ORFS                  |
| 56352    | 6 WLNL-S      | LOCKNUT,BULKHEAD                           | 61569    | 33782-8-8       | HOSE END,45° FEMALE SWIVEL,JIC           |
| 56353    | 3J782-12-12   | HOSE END,45° FEMALE SWIVEL,SEAL LOK        | 61610    | 12 FF5OLO-S     | CONNECTOR,LONG,STRAIGHT THREAD TO ORFS   |
| 56354    | 3J982-12-12   | HOSE END,90° FEMALE SWIVEL,SEAL LOK        | 61742    | 1/8 X 1.5 FFF   | NIPPLE,PIPE                              |
| 56604    | 10-8 F5OLO-S  | CONNECTOR,STRAIGHT THREAD TO ORFS          | 63426    | 8 PNTX-S        | PLUG,FLARE TUBE                          |
| 56639    | 3JC82-10-10   | HOSE END,FEMALE SWIVEL,SEAL LOK            |          |                 |  |
| 56640    | 3J982-10-10   | HOSE END,90° FEMALE SWIVEL,SEAL LOK        |          |                 |  |
| 56655    | 3JC82-8-10    | HOSE END,FEMALE SWIVEL,SEAL LOK            |          |                 |  |
| 56676    | 10-8 C5OLO-S  | ELBOW,90°,STRAIGHT THREAD TO ORFS          |          |                 |  |
| 56776    | 471TC-6       | HOSE,3/8 INCH ID                           |          |                 |  |
| 56777    | 471TC-8       | HOSE,1/2 INCH ID                           |          |                 |  |
| 56789    | 811-16        | HOSE,1 INCH ID                             |          |                 |  |
| 57884    | 3/8 FF        | NIPPLE,PIPE                                |          |                 |  |
| 59335    | 6 FNL-S       | CAP, TUBE END                              |          |                 |  |
| 59342    | 4 FNL-S       | CAP, TUBE END                              |          |                 |  |
| 59371    | 8 HP5ON-S     | PLUG,STRAIGHT THREAD                       |          |                 |  |
| 60653    | BV-0751       | BALL VALVE                                 |          |                 |  |
| 60806    | 125HB-3-4     | FITTING,HOSE BARB TO MALE PIPE             |          |                 |  |
| 61064    | 5-1/4 F50G-S  | ADAPTER,FEMALE PIPE TO STRAIGHT THREAD     |          |                 |  |
| 61079    | 4 WELO-WLNL-S | UNION,90° BULKHEAD W/NUT,ORFS              |          |                 |  |
| 61080    | 6 WLO-WLNL-S  | UNION,BULKHEAD,ORFS                        |          |                 |  |

Fitting Cross References (Continued)

| Genie PN | Parker PN      | Description                              |
|----------|----------------|--|
| 64271    | 4 WLO-WLNL-S   | UNION,BULKHEAD,ORFS                      |
| 64272    | 6 WLO-WLNL-S   | UNION,BULKHEAD,ORFS                      |
| 65776    | 8 F65OL-S      | CONNECTOR,STRAIGHT THREAD TO ORFS SWIVEL |
| 65880    | 6001012        | O-RING KIT                               |
| 66154    | 6 WTX-WLNS     | UNION,BULKHEAD,FLARE TUBE                |
| 66155    | 6 WETX-S       | UNION,BULKHEAD 90°,FLARE TUBE            |
| 66156    | 6 WLN-S        | BULKHEAD LOCKNUT                         |
| 66389    | 6-8 F5OX-S     | CONNECTOR,STRAIGHT THREAD TO FLARE TUBE  |
| 66392    | 6 R5OX-S       | RUN TEE,STRAIGHT THREAD                  |
| 66396    | 811-12         | HOSE,3/4 INCH ID                         |
| 66829    | H3174PP        | CLAMP,TUBE                               |
| 67217    | 4 KLO-S        | UNION,CROSS,ORFS                         |
| 67339    | 10-6 F5OX-S    | CONNECTOR,STRAIGHT THREAD TO FLARE TUBE  |
| 67357    | 13943-8-6      | HOSE END,90° FEMALE SWIVEL,JIC           |
| 67358    | 10 HP5ON-S     | PLUG,STRAIGHT THREAD                     |
| 67371    | 12 S6LO-S      | BRANCH TEE,SWIVEL NUT TO ORFS            |
| 67498    | 4 FNL-S        | CAP, TUBE END                            |
| 67906    | DC-370-F0F0-5  | VALVE,CHECK                              |
| 69316    | 8 FLO-S        | CONNECTOR,MALE PIPE TO ORFS              |
| 69333    | H3174PP        | CLAMP,HYDRAULIC HOSE                     |
| 69503    | 4 F65OX-S      | CONNECTOR,STRAIGHT THREAD TO 37° SWIVEL  |
| 69775    | 8 FNL-S        | CAP, TUBE END                            |
| 71038    | 1/4X1/4F3HG-S  | ADAPTER,CONVERSION                       |
| 71196    | 12-8 F5OLO-S   | CONNECTOR,STRAIGHT THREAD TO ORFS        |
| 71383    | 1/4 CD45-S     | ELBOW,45°,MALE TO FEMALE PIPE            |
| 72270    | 12FNL-S        | CAP, TUBE END                            |
| 73436    | 60C-4          | SLEEVE,COMPRESSION                       |
| 73437    | 61C-4          | NUT,COMPRESSION                          |
| 73438    | 33482-4-4B     | HOSE END,PUSH LOK,MALE                   |
| 73767    | 1CD-S          | ELBOW,90°,MALE TO FEMALE PIPE            |
| 73768    | 20-16-F5OG5-S  | ADAPTER,FEMALE PIPE TO STRAIGHT THREAD   |
| 73769    | 16-20 F5OLO-S  | CONNECTOR,STRAIGHT THREAD TO ORFS        |
| 74660    | 6-8 F42EDMLO-S | CONNECTOR,MALE BSPP TO ORFS              |
| 74661    | 8-8 F42EDMLO-S | CONNECTOR,MALE BSPP TO ORFS              |
| 75007    | 4 FLO-S        | CONNECTOR,MALE PIPE TO ORFS              |
| 75008    | 1/8 HP-S       | PLUG,PIPE THREAD                         |
| 75014    | 1/2 HP-S       | PLUG,PIPE THREAD                         |
| 75042    | 8 WELO-WLNL-S  | UNION,90° BULKHEAD W/NUT,ORFS            |
| 75043    | 3/4 FF-S       | NIPPLE,PIPE                              |
| 75254    | 24 F5OHAO-S    | UNION,STRAIGHT THREAD                    |
| 75255    | 12 F5OHAO-S    | UNION,STRAIGHT THREAD                    |
| 75256    | XV506P-24      | BALL VALVE                               |
| 75574    | 4 WLNL-S       | BULKHEAD LOCKNUT                         |
| 75612    | 8 WJLO-WLNL-S  | RUN TEE, BULKHEAD,ORFS                   |
| 75613    | 12-8 F5OG5-S   | ADAPTER,FEMALE PIPE TO STRAIGHT THREAD   |
| 75614    | 8 CC5OLO-S     | ELBOW,90° LONG,STRAIGHT THREAD TO ORFS   |
| 75628    | 1JB43-4-4      | HOSE END,BULKHEAD,SEAL LOK               |

| Genie PN | Parker PN      | Description                                    |
|----------|----------------|--|
| 75631    | 801-6          | HOSE,3/8 INCH ID                               |
| 75654    | 20 F5OLO-S     | CONNECTOR,STRAIGHT THREAD TO ORFS              |
| 75655    | 1J943-20-20    | HOSE END,90° FEMALE SWIVEL,SEAL LOK            |
| 75656    | 881-20         | HOSE,1-1/4 INCH ID                             |
| 75971    | 8 F5OHAO-S     | UNION,STRAIGHT THREAD                          |
| 77307    | 1JB43-8-8      | HOSE END,BULKHEAD,SEAL LOK                     |
| 77309    | 8 WLNL-S       | BULKHEAD LOCKNUT                               |
| 77379    | 8M18C87OMX-S   | ELBOW,90° METRIC,STRAIGHT THREAD TO FLARE TUBE |
| 77703    | 3J982-8-8      | HOSE END,90° FEMALE SWIVEL,SEAL LOK            |
| 77711    | 801-10         | HOSE,5/8 INCH ID                               |
| 77758    | 12 WNLO-WLNL-S | UNION,BULKHEAD 45°,ORFS                        |
| 78091    | 6 C6X-S        | ELBOW,90°,SWIVEL NUT TO FLARE TUBE             |
| 78684    | 30582-8-8B     | HOSE END,PUSH LOK,MALE                         |
| 78852    | 549-2          | HOSE,1/8 INCH ID                               |
| 78855    | 10657-4-2      | HOSE END,FEMALE SWIVEL,JIC                     |
| 79138    | PS-B-37        | SLEEVE,NYLON,2.38" ID                          |
| 79476    | 1JS43-6-8      | HOSE END,FEMALE SWIVEL,SEAL LOK                |
| 79847    | 12-3/4 A0EG-S  | ELBOW,90°,STRAIGHT THREAD TO FEMALE PIPE       |
| 80044    | 8 CLO-S        | ELBOW,90°,MALE PIPE TO ORFS                    |
| 80502    | 8 F5OX-S       | CONNECTOR,STRAIGHT THREAD TO FLARE TUBE        |
| 80503    | 8 C5OX-S       | ELBOW,90°,STRAIGHT THREAD TO FLARE TUBE        |
| 81010    | AS-B-27        | SLEEVE,NYLON,1.63" ID                          |
| 83052    | 821-6          | HOSE,3/8 INCH ID                               |
| 83053    | 821-8          | HOSE,1/2 INCH ID                               |
| 83054    | 821-12         | HOSE,3/4 INCH ID                               |
| 83055    | 30682-6-6      | HOSE END,FEMALE SWIVEL,JIC                     |
| 83056    | 30682-12-12    | HOSE END,FEMALE SWIVEL,JIC                     |
| 83057    | 33782-6-6      | HOSE END,45° FEMALE SWIVEL,JIC                 |
| 83058    | 33982-6-6      | HOSE END,90° FEMALE SWIVEL,JIC                 |
| 83060    | 33982-12-12    | HOSE END,90° FEMALE SWIVEL,JIC                 |
| 83063    | 13743-4-4      | HOSE END,45° FEMALE SWIVEL,JIC                 |

## Fitting Cross References (Continued)

| Genie PN | Parker PN     | Description                         | Genie PN | Parker PN     | Description                             |
|----------|---------------|-------------------------------------|----------|---------------|---|
| 83064    | 13743-8-8     | HOSE END,45° FEMALE SWIVEL,JIC      | 89449    | 6 WJLO-WLNL-S | RUN TEE, BULKHEAD,ORFS                  |
| 83065    | 13743-12-12   | HOSE END,45° FEMALE SWIVEL,JIC      | 89489    | 4 WJMLO-S     | BRANCH TEE,BULKHEAD,ORFS                |
| 83066    | 13943-8-8     | HOSE END,90° FEMALE SWIVEL,JIC      | 89551    | 1JB43-6-6     | HOSE END,BULKHEAD,SEAL LOK              |
| 83067    | 14143-6-6     | HOSE END,90° FEMALE SWIVEL,JIC      | 89552    | 1JB43-8-8     | HOSE END,BULKHEAD,SEAL LOK              |
| 83068    | 14143-8-8     | HOSE END,90° FEMALE SWIVEL,JIC      | 89593    | 20 C5OLO-S    | ELBOW,90°,STRAIGHT THREAD TO ORFS       |
| 83069    | 14143-12-12   | HOSE END,90° FEMALE SWIVEL,JIC      | 94161    | 8-8 CLO-S     | ELBOW,90°,MALE PIPE TO ORFS             |
| 83070    | 772-8         | HOSE,1/2 INCH ID                    | 94358    | 351TC-12      | HOSE,3/4 INCH ID                        |
| 83071    | 10671-8-8     | HOSE END,FEMALE SWIVEL,JIC          | 94418    | 20 FLO-S      | CONNECTOR,MALE PIPE TO ORFS             |
| 83072    | 10671-12-12   | HOSE END,FEMALE SWIVEL,JIC          | 96358    | 12 TX-S       | SLEEVE,FLARE TUBE                       |
| 83073    | 13771-8-8     | HOSE END,45° FEMALE SWIVEL,JIC      | 96359    | 12 BTX-S      | NUT,FLARE TUBE                          |
| 83074    | 13771-12-12   | HOSE END,45° FEMALE SWIVEL,JIC      | 96397    | 8 F5OX-S      | CONNECTOR,STRAIGHT THREAD TO FLARE TUBE |
| 83075    | 13971-8-8     | HOSE END,90° FEMALE SWIVEL,JIC      | 96398    | 12-8 F5OX-S   | CONNECTOR,STRAIGHT THREAD TO FLARE TUBE |
| 83076    | 13971-12-12   | HOSE END,90° FEMALE SWIVEL,JIC      | 96402    | 10343-6-6     | HOSE END,MALE,JIC                       |
| 83077    | 14171-8-8     | HOSE END,90° FEMALE SWIVEL,JIC      | 96407    | 30382-6-6B    | HOSE END,MALE,JIC                       |
| 83078    | 14171-12-12   | HOSE END,90° FEMALE SWIVEL,JIC      |          |               |   |
| 83080    | 13943-16-16   | HOSE END,90° FEMALE SWIVEL,JIC      |          |               |   |
| 83103    | 10671-16-12   | HOSE END,FEMALE SWIVEL,JIC          |          |               |   |
| 83104    | 10671-10-12   | HOSE END,FEMALE SWIVEL,JIC          |          |               |   |
| 83112    | 1JC71-8-8     | HOSE END,FEMALE SWIVEL,SEAL LOK     |          |               |   |
| 83113    | 1JS71-16-12   | HOSE END,FEMALE SWIVEL,SEAL LOK     |          |               |   |
| 83114    | 1JS71-10-12   | HOSE END,FEMALE SWIVEL,SEAL LOK     |          |               |   |
| 83115    | 1J971-8-8     | HOSE END,90° FEMALE SWIVEL,SEAL LOK |          |               |   |
| 83116    | 1J171-8-8     | HOSE END,90° FEMALE SWIVEL,SEAL LOK |          |               |   |
| 83117    | 1J771-8-8     | HOSE END,45° FEMALE SWIVEL,SEAL LOK |          |               |   |
| 83127    | 1J543-6-8     | HOSE END,90° FEMALE SWIVEL,JIC      |          |               |   |
| 83128    | 1JC43-6-8     | HOSE END,FEMALE SWIVEL,SEAL LOK     |          |               |   |
| 87033    | 12-6 TRLO-S   | REDUCER,TUBE END TO SWIVEL,ORFS     |          |               |   |
| 87034    | 3J782-8-8     | HOSE END,45° FEMALE SWIVEL,SEAL LOK |          |               |   |
| 87172    | 12 HP5ON-S    | PLUG,STRAIGHT THREAD                |          |               |   |
| 87185    | 8 WNLO-WLNL-S | UNION,BULKHEAD 45°,ORFS             |          |               |   |
| 87246    | 4 C6X-S       | ELBOW,90°,SWIVEL NUT TO FLARE TUBE  |          |               |   |
| 87679    | 6 LHP-S       | FLANGE SEAL FITTING, MALE           |          |               |   |
| 87681    | 6PLS N0702    | BONDED SEAL                         |          |               |   |
| 88100    | SR88100       | ADAPTER,OIL DRAIN,GM 3.0L           |          |               |   |
| 88311    | 1JS43-20-20   | HOSE END,FEMALE SWIVEL,SEAL LOK     |          |               |   |
| 88353    | 20 V5OLO-S    | ELBOW,45°,STRAIGHT THREAD TO ORFS   |          |               |   |
| 88474    | 10081-20      | Crimp Shell, 1.25"                  |          |               |   |
| 88475    | 1988-20-24    | HOSE END,90° FLANGE HEAD            |          |               |   |
| 88476    | JS88-24-24    | HOSE END,FEMALE SWIVEL,SEAL LOK     |          |               |   |
| 88477    | 1JC88-20-20   | HOSE END,FEMALE SWIVEL,SEAL LOK     |          |               |   |
| 88478    | 811-20        | HOSE,11/4 INCH ID                   |          |               |   |
| 88936    | 20-16 F5OLO-S | CONNECTOR,STRAIGHT THREAD TO ORFS   |          |               |   |
| 88937    | 20-16 FLO-S   | CONNECTOR,MALE PIPE TO ORFS         |          |               |   |
| 88938    | 1JC88-16-16   | HOSE END,FEMALE SWIVEL,SEAL LOK     |          |               |   |
| 88939    | 1J988-16-16   | HOSE END,90° FEMALE SWIVEL,ORFS     |          |               |   |
| 88940    | 811-16        | HOSE,1 INCH ID                      |          |               |   |
| 88944    | 1J988-20-20   | HOSE END,90° FEMALE SWIVEL,ORFS     |          |               |   |
| 89403    | 16 VLO-S      | ELBOW,45°,MALE PIPE TO ORFS         |          |               |   |

California Proposition 65

## Warning

The exhaust from this product contains chemicals known to the State of California to cause cancer, birth defects or other reproductive harm.

### Genie North America

**Phone** 425.881.1800  
**Toll Free** USA and Canada  
800.536.1800  
**Fax** 425.883.3475

### Genie Australia Pty Ltd.

**Phone** +61 7 3375 1660  
**Fax** +61 7 3375 1002

### Genie China

**Phone** +86 21 53852570  
**Fax** +86 21 53852569

### Genie Malaysia

**Phone** +65 98 480 775  
**Fax** +65 67 533 544

### Genie Japan

**Phone** +81 3 3453 6082  
**Fax** +81 3 3453 6083

### Genie Korea

**Phone** +82 25 587 267  
**Fax** +82 25 583 910

### Genie Brasil

**Phone** +55 11 41 665 755  
**Fax** +55 11 41 665 754

### Genie Holland

**Phone** +31 183 581 102  
**Fax** +31 183 581 566

### Genie Scandinavia

**Phone** +46 31 575100  
**Fax** +46 31 579020

### Genie France

**Phone** +33 (0)2 37 26 09 99  
**Fax** +33 (0)2 37 26 09 98

### Genie Iberica

**Phone** +34 93 579 5042  
**Fax** +34 93 579 5059

### Genie Germany

**Phone** +49 (0)4202 88520  
**Fax** +49 (0)4202 8852-20

### Genie U.K.

**Phone** +44 (0)1476 584333  
**Fax** +44 (0)1476 584334

### Genie Mexico City

**Phone** +52 55 5666 5242  
**Fax** +52 55 5666 3241

Distributed By:

# Parts Manual

GTH-644

GTH-842

Part No.  
97486

Rev B16

**Genie**  
A TEREX BRAND