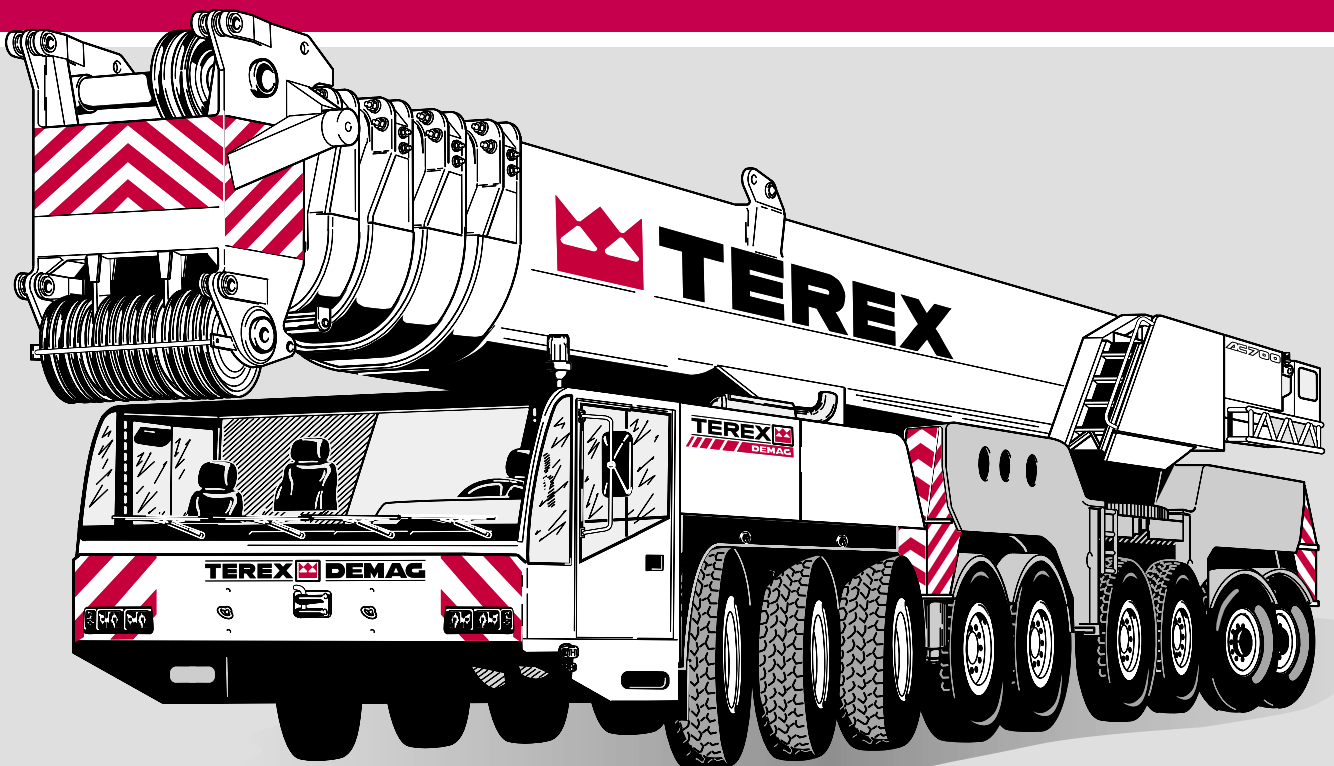


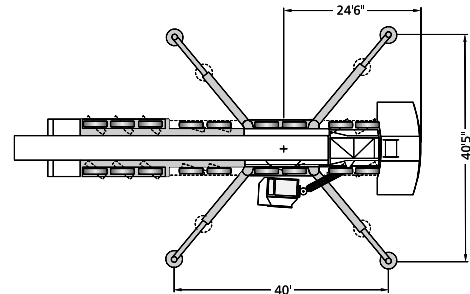
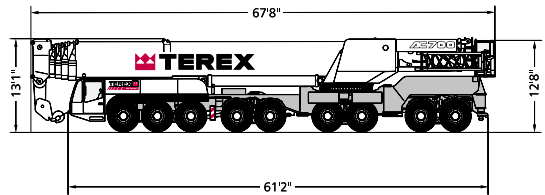
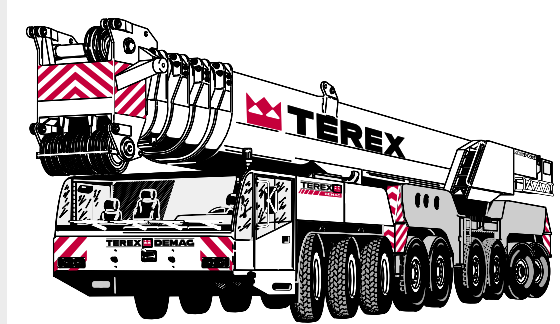
AC 700




800t

Demag AC 700

- ▶ Most powerful telescopic crane in the world roadable with full main boom
- ▶ Superior boom technology provides exceptional lifting capacities
- ▶ Exceptional capacity enhancements due to new Sideways Superlift
- ▶ Star-type outriggers giving enhanced stability
- ▶ Fast rigging and optimized transport weights for all configurations



WWW. terex-cranes.com

Contents

Page:

Specifications

Dimensions	4
Specifications	6

1

Main boom

Working ranges	7
Lifting capacities	8
Lifting capacities with SSL 0°	11

2

Main boom extension

Working ranges	13
Lifting capacities	14
Lifting capacities with SSL 0° + 30°	15

3

Fixed fly jib

Working ranges	17
Lifting capacities	18
Lifting capacities with SSL 0° + 30°	19
Working ranges with SSL 0° + 30°	20

4

Luffing fly jib

Working ranges	21
Lifting capacities	22
Working ranges with SSL	31
Lifting capacities with SSL	32

5

Technical description

Carrier · Superstructure · Optional equipment	37
---	----

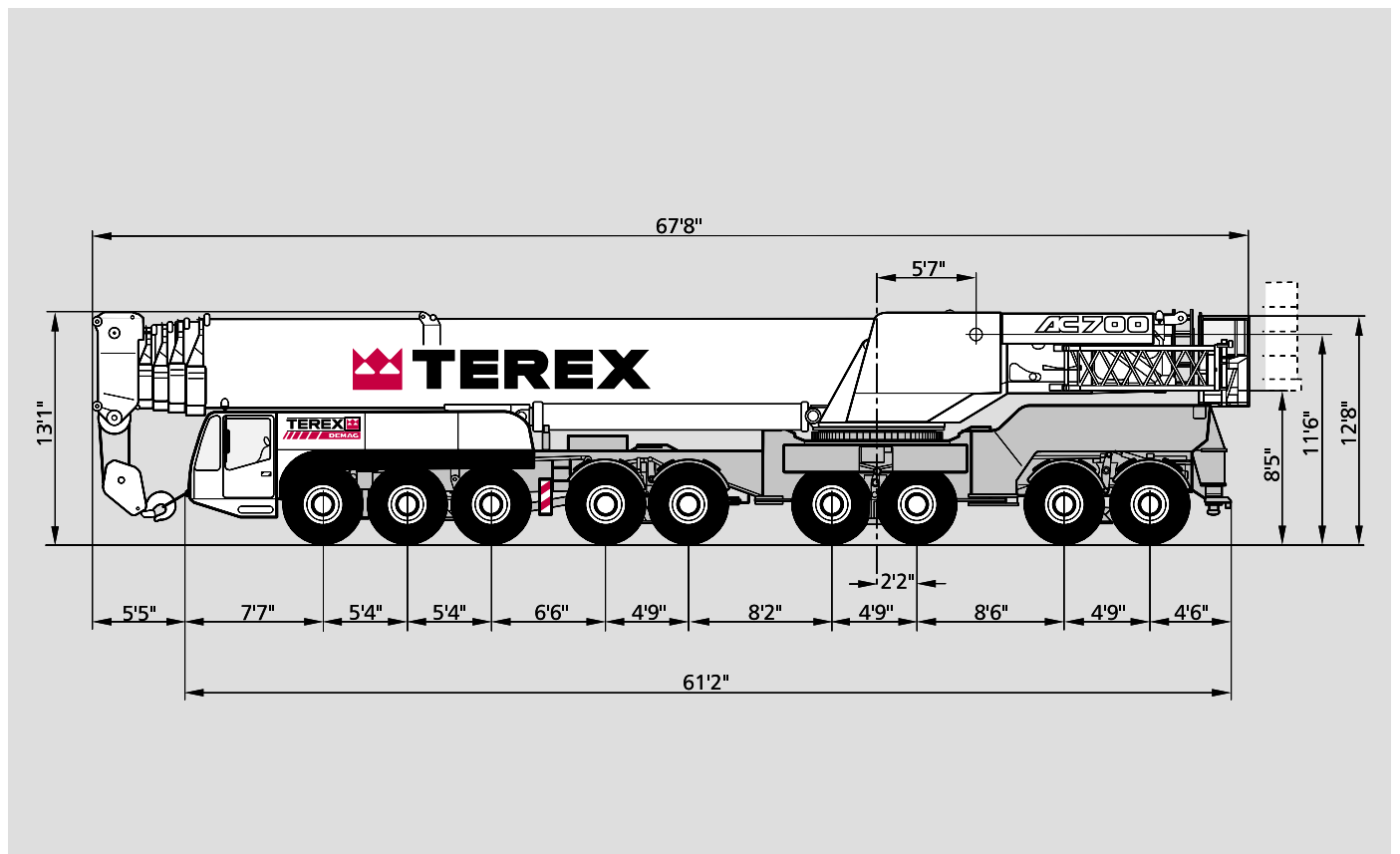
6

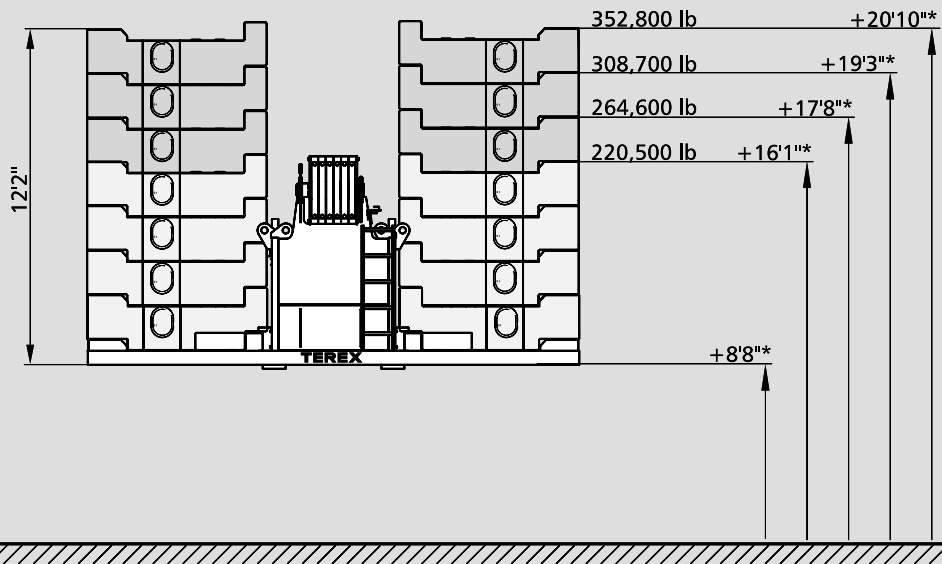
Overview of standard duty charts

.	38
-----------	----

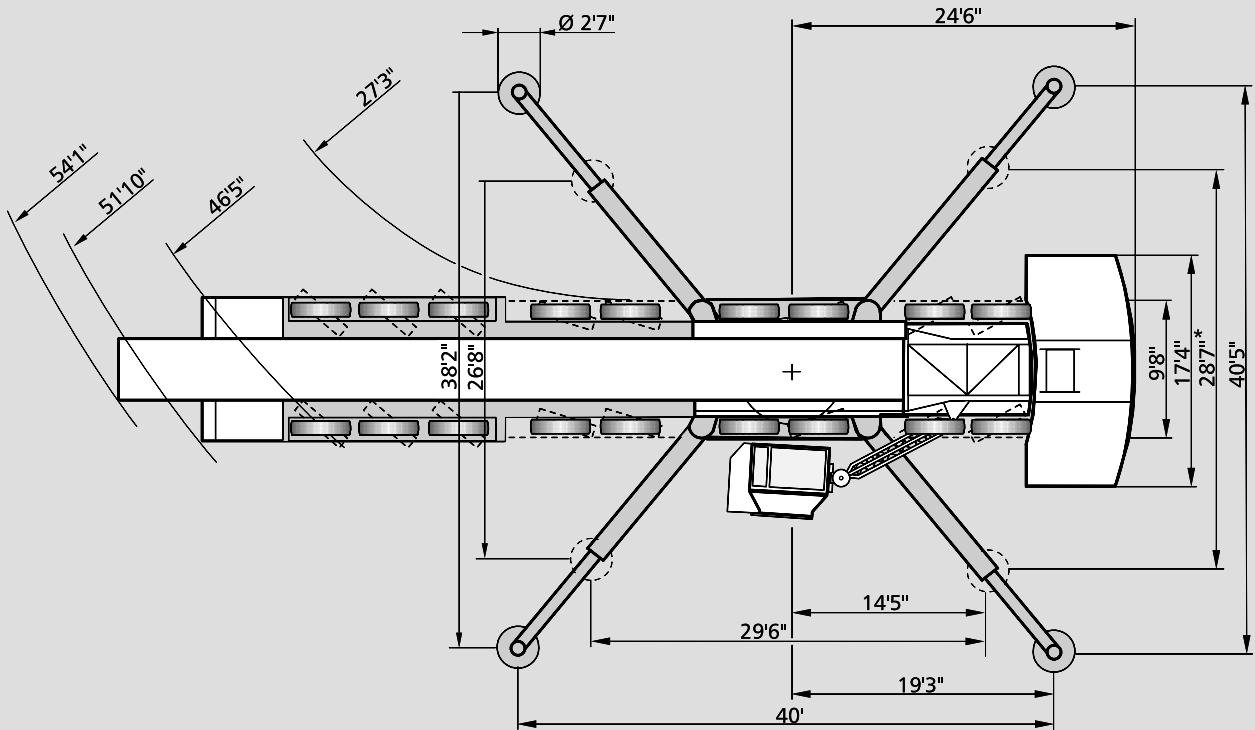
7

Dimensions





* Tail swing above ground



*)Duties with reduced outrigger base on request

Specifications

Axle loads and weights

Crane with main boom, rear outriggers and hook block

Axles 9 x 26,500 lb
 Total weight 238,500 lb

Working speeds (infinitely variable)

Mechanisms	Line speed	Max. permissible line pull	Rope length
Hoist I	max. 469 ft / min	30,150 lb	1 640 ft
Hoist II	max. 495 ft / min	30,150 lb	2 530 ft
Slewing			max. 1.0 rpm
Telescoping speed			50.9 – 196.6 ft: approx. 480 s
Boom elevation			-0.5° – +83°: 120 s

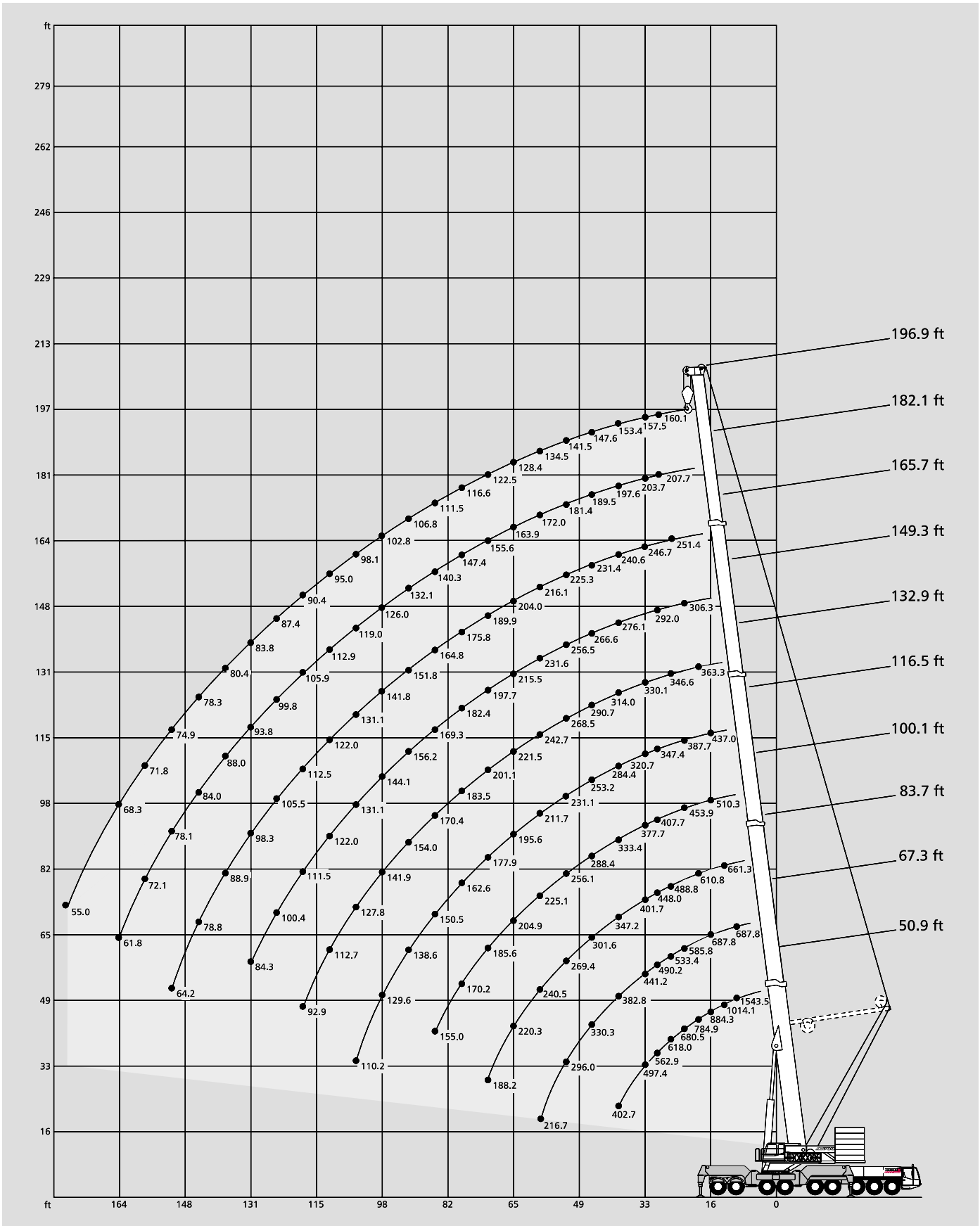
Carrier performance

Travel speed 0 to 39 mph

Hook block / Heavy-lift attachment

Type	Possible load	Number of sheaves	Weight	„D“	max. reeving	Heavy-lift attachment
320	689,000 lb	13	8,800 lb	13 ft	26	2 add. sheaves
250	518,100 lb	9	6,200 lb	13 ft	19	
200	417,000 lb	7	5,700 lb	10 ft	15	
160	311,000 lb	5	4,900 lb	10 ft	11	
100	203,000 lb	3	4,000 lb	10 ft	7	
40	88,200 lb	1	2,700 lb	9 ft	3	
13.5	30,000 lb	Single line hook	1,400 lb	7 ft	1	

Working ranges main boom



Lifting capacities main boom

308,700 lb 

 360°

DIN/ISO

		Main boom													
Radius	ft	50.9*	50.9	67.3*	67.3	83.7*	83.7	100.0	116.5	132.9	149.3	165.7	182.1	196.9	Radius
ft		1,000 lb													ft
10	1543.5 ¹⁾	-	687.8	-	-	-	-	-	-	-	-	-	-	-	10
10	1255.1 ²⁾	687.8	687.8	687.8	687.8	-	-	-	-	-	-	-	-	-	10
11	1147.6 ²⁾	687.8	687.8	687.8	687.8	-	-	-	-	-	-	-	-	-	11
13	1014.1 ²⁾	687.8	687.8	687.8	687.8	661.3	661.3	-	-	-	-	-	-	-	13
15	923.3 ²⁾	685.3	687.8	684.6	661.3	661.3	-	-	-	-	-	-	-	-	15
16	884.3 ²⁾	674.5	687.8	671.2	661.3	661.3	510.3	437.0	-	-	-	-	-	-	16
19	784.9 ²⁾	614.4	659.9	611.7	610.8	610.8	486.1	416.8	353.8	-	-	-	-	-	19
23	680.5	544.0	585.8	539.6	535.2	535.2	453.9	387.7	321.6	271.0	-	-	-	-	23
26	618.0	499.7	533.4	497.3	488.8	488.8	431.7	367.6	299.4	256.9	-	-	-	-	26
29	562.9	462.7	490.2	458.6	448.0	448.0	407.7	347.4	279.1	244.6	227.0	-	-	-	29
33	497.4	419.4	441.2	415.0	401.7	401.7	377.7	320.7	254.7	228.5	211.0	183.5	-	-	33
39	402.7	367.0	382.8	364.6	347.2	347.2	333.4	284.4	224.5	205.3	190.8	165.3	144.0	-	39
46	-	-	330.3	314.9	301.6	301.6	288.4	253.2	197.0	181.6	168.4	148.6	129.9	-	46
52	-	-	296.0	282.6	269.4	269.4	256.1	231.1	176.9	164.5	153.3	136.5	120.9	-	52
59	-	-	216.7	206.7	240.5	240.5	225.1	211.7	156.6	146.7	136.8	124.6	110.3	-	59
65	-	-	-	-	220.3	220.3	204.9	195.6	142.5	133.6	125.7	116.5	103.2	-	65
72	-	-	-	-	188.2	179.6	185.6	177.9	128.2	120.4	113.8	107.1	95.0	-	72
79	-	-	-	-	-	-	170.2	162.6	115.3	108.7	104.4	98.9	87.9	-	79
85	-	-	-	-	-	-	155.0	150.5	106.2	100.7	97.3	92.9	82.9	-	85
92	-	-	-	-	-	-	-	138.6	97.9	91.3	89.1	85.8	77.0	-	92
98	-	-	-	-	-	-	-	129.6	90.8	85.3	83.1	80.8	72.0	-	98
105	-	-	-	-	-	-	-	110.2	84.8	79.3	77.1	74.9	67.2	-	105
111	-	-	-	-	-	-	-	-	78.8	74.3	72.1	69.9	63.8	-	111
118	-	-	-	-	-	-	-	-	73.9	68.4	66.2	65.7	59.5	-	118
124	-	-	-	-	-	-	-	-	-	65.1	62.7	62.1	56.1	-	124
131	-	-	-	-	-	-	-	-	-	60.9	58.5	58.1	52.5	-	131
138	-	-	-	-	-	-	-	-	-	56.9	54.5	54.5	49.5	-	138
144	-	-	-	-	-	-	-	-	-	-	51.7	51.7	46.8	-	144
151	-	-	-	-	-	-	-	-	-	-	48.6	48.6	44.0	-	151
157	-	-	-	-	-	-	-	-	-	-	-	46.2	42.0	-	157
164	-	-	-	-	-	-	-	-	-	-	-	43.4	39.6	-	164
177	-	-	-	-	-	-	-	-	-	-	-	-	35.7	-	177
190	-	-	-	-	-	-	-	-	-	-	-	-	-	-	190

Remarks

* central jack leg + 352,800 lb counterweight

1) over rear, special attachment required, on request

2) over rear, heavy-lift attachment required

		Main boom										
Radius	ft	50.9	67.3	83.7	100.0	116.5	132.9	149.3	165.7	182.1	196.9	Radius
		1,000 lb										
10		687.8	687.8	-	-	-	-	-	-	-	-	10
11		687.8	687.8	-	-	-	-	-	-	-	-	11
13		687.8	687.8	661.3	-	-	-	-	-	-	-	13
15		682.7	682.1	659.7	-	-	-	-	-	-	-	15
16		661.2	657.9	653.0	510.3	437.0	-	-	-	-	-	16
19		598.5	595.8	596.3	486.1	416.8	353.8	-	-	-	-	19
23		528.6	524.2	526.4	453.9	387.7	321.6	271.0	-	-	-	23
26		486.3	481.8	484.1	431.7	367.6	299.4	256.9	-	-	-	26
29		449.5	446.9	447.3	407.7	347.4	279.1	244.6	227.0	-	-	29
33		408.4	404.0	401.7	377.7	320.7	254.7	228.5	211.0	183.5	-	33
39		358.0	353.6	347.2	333.4	284.4	224.5	205.3	190.8	165.3	144.0	39
46		-	297.1	299.3	288.4	253.2	197.0	181.6	168.4	148.6	129.9	46
52		-	256.8	259.0	256.1	231.1	176.9	164.5	153.3	136.5	120.9	52
59		-	206.5	220.7	225.1	211.7	156.6	146.7	136.8	124.6	110.3	59
65		-	-	186.5	190.9	194.6	142.5	133.6	125.7	116.5	103.2	65
72		-	-	156.1	159.5	163.9	128.2	120.4	113.8	107.1	95.0	72
79		-	-	-	144.8	140.4	115.3	108.7	104.4	98.9	87.9	79
85		-	-	-	129.7	124.2	106.2	100.7	97.3	92.9	82.9	85
92		-	-	-	-	108.8	97.9	91.3	89.1	85.8	77.0	92
98		-	-	-	-	97.7	90.8	85.3	83.1	80.8	72.0	98
105		-	-	-	-	88.1	83.7	79.3	77.1	74.9	67.2	105
111		-	-	-	-	-	76.7	74.3	72.1	69.9	63.8	111
118		-	-	-	-	-	68.4	68.4	66.2	65.7	59.5	118
124		-	-	-	-	-	-	63.0	62.7	62.1	56.1	124
131		-	-	-	-	-	-	56.8	58.1	58.1	52.5	131
138		-	-	-	-	-	-	51.4	52.5	54.5	49.5	138
144		-	-	-	-	-	-	-	48.3	50.5	46.8	144
151		-	-	-	-	-	-	-	43.8	46.0	44.0	151
157		-	-	-	-	-	-	-	-	42.6	42.0	157
164		-	-	-	-	-	-	-	-	38.8	39.0	164
177		-	-	-	-	-	-	-	-	-	32.9	177



Lifting capacities main boom

132,300 lb  360° 

		Main boom											
Radius	ft	50.9	67.3	83.7	100.0	116.5	132.9	149.3	165.7	182.1	196.9	Radius	ft
		1,000 lb											
10		687.8	687.8	-	-	-	-	-	-	-	-	10	
11		687.8	687.8	-	-	-	-	-	-	-	-	11	
13		687.8	687.8	661.3	-	-	-	-	-	-	-	13	
15		667.0	662.6	657.2	-	-	-	-	-	-	-	15	
16		644.1	639.7	639.7	510.3	437.0	-	-	-	-	-	16	
19		582.6	578.2	580.4	486.1	416.8	353.8	-	-	-	-	19	
23		513.2	511.0	511.0	453.9	387.7	321.6	271.0	-	-	-	23	
26		472.9	468.6	470.7	431.7	367.6	299.4	256.9	-	-	-	26	
29		436.2	433.7	434.0	407.7	347.4	279.1	244.6	227.0	-	-	29	
33		383.6	379.2	381.4	377.3	320.7	254.7	228.5	211.0	183.5	-	33	
39		317.1	312.7	314.9	318.8	284.4	224.5	205.3	190.8	165.3	144.0	39	
46		-	241.9	246.3	246.3	242.0	197.0	181.6	168.4	148.6	129.9	46	
52		-	189.5	191.8	207.0	200.7	176.9	164.5	153.3	136.5	120.9	52	
59		-	146.9	149.1	164.6	159.0	155.5	146.7	136.8	124.6	110.3	59	
65		-	-	123.8	138.2	132.7	129.4	129.6	125.7	116.5	103.2	65	
72		-	-	101.9	115.2	109.7	106.4	107.5	108.4	107.1	95.0	72	
79		-	-	-	97.6	92.1	93.3	89.8	92.0	94.2	87.9	79	
85		-	-	-	86.5	81.0	86.3	81.8	79.9	82.1	82.9	85	
92		-	-	-	-	69.2	74.7	75.9	68.1	71.4	71.4	92	
98		-	-	-	-	62.4	66.7	69.8	61.8 **	63.6	64.2	98	
105		-	-	-	-	54.8	59.7	61.9	57.3 **	55.5	56.2	105	
111		-	-	-	-	-	53.8	56.0	53.4 **	49.5	50.1	111	
118		-	-	-	-	-	48.1	50.1	49.8 **	43.3	43.7	118	
124		-	-	-	-	-	-	45.6	46.2 **	38.6	39.1	124	
131		-	-	-	-	-	-	40.9	41.6 **	33.8	34.3	131	
138		-	-	-	-	-	-	36.9	37.3 **	29.6	30.0	138	
144		-	-	-	-	-	-	-	32.4 **	26.4	26.8	144	
151		-	-	-	-	-	-	-	21.1	23.1	23.5	151	
157		-	-	-	-	-	-	-	-	20.6	20.9	157	
164		-	-	-	-	-	-	-	-	18.0	18.3	164	
177		-	-	-	-	-	-	-	-	-	13.9	177	

0 lb  360° 

		Main boom												
Radius	ft	50.9	67.3	83.7	100.0	116.5	132.9	149.3	159.1	165.7	182.1	196.9	Radius	ft
		1,000 lb												
10		687.8	687.8	-	-	-	-	-	-	-	-	-	10	
11		687.8	687.8	-	-	-	-	-	-	-	-	-	11	
13		683.7	681.7	662.8	-	-	-	-	-	-	-	-	13	
15		638.3	634.2	636.1	-	-	-	-	-	-	-	-	15	
16		615.5	612.7	613.3	510.3	437.0	-	-	-	-	-	-	16	
19		548.7	544.7	546.5	486.1	416.8	364.9	-	-	-	-	-	19	
23		448.8	443.8	380.2	360.5	310.0	268.3	241.9	-	-	-	-	23	
26		366.1	308.7	273.3	271.8	237.4	218.0	192.5	153.7	-	-	-	26	
29		274.2	230.1	210.0	215.5	189.8	183.8	170.6	147.6	147.2	-	-	29	
33		179.6	165.5	154.9	165.0	146.4	144.3	140.0	135.6	118.0	114.8	-	33	
39		110.1	102.0	104.5	119.6	120.5	113.1 *	105.7	102.3	87.8	86.6	82.6	39	
46		-	63.0	65.4	82.4	90.1	89.0 *	79.1	77.0	64.2	64.6	62.0	46	
52		-	44.5	46.3	61.8	68.9	69.9 *	63.8	62.6	50.1	51.1	49.3	52	
59		-	30.0	31.2	45.5	52.6	53.4 *	49.2	49.4	37.5	39.1	37.7	59	
65		-	-	22.5	35.8	42.4	43.3 *	39.3	40.2	29.6	31.4	30.3	65	
72		-	-	13.6	27.3	33.5	34.3 *	30.6	31.3	21.8	23.9	23.1	72	
79		-	-	-	20.9	26.9	27.5 *	23.8	24.7	14.7	17.8	17.4	79	
85		-	-	-	16.7	22.2	22.9 *	19.4	20.0	9.5	12.6	13.2	85	
92		-	-	-	-	18.0	18.4 *	15.1	15.7	4.5	7.6	8.5	92	
98		-	-	-	-	14.9	15.4 *	11.5	12.3	-	-	4.8	98	
105		-	-	-	-	-	12.3 *	7.9	8.5	-	-	-	105	
111		-	-	-	-	-	9.7 *	5.3	5.9	-	-	-	111	
118		-	-	-	-	-	-	-	-	-	-	-	118	

Remarks

- * Length of main boom 121.4 ft
- ** Length of main boom 159.1 ft

Lifting capacities main boom with SSL 0°

352,800 lb 

 360°

DIN/ISO

		Main boom						
Radius	ft	116.5	132.9	149.3	165.7	182.1	196.9	Radius
		1,000 lb						
ft								ft
16		429.8	-	-	-	-	-	16
19		429.8	363.3	-	-	-	-	19
23		423.2	352.6	306.3	-	-	-	23
26		417.1	346.6	298.2	251.4	-	-	26
29		407.4	340.5	292.0	249.4	207.7	160.1	29
33		389.0	330.1	286.2	246.7	203.7	157.5	33
39		352.7	314.0	276.1	240.6	197.6	153.4	39
46		310.4	290.7	266.6	231.4	189.5	147.6	46
52		278.2	268.5	256.5	225.3	181.4	141.5	52
59		244.9	242.7	231.6	216.1	172.0	134.5	59
65		222.7	221.5	215.5	204.0	163.9	128.4	65
72		201.1	201.1	197.7	189.9	155.6	122.5	72
79		182.2	183.4	182.4	175.8	147.4	116.6	79
85		165.1	169.3	169.3	164.8	140.3	111.5	85
92		147.2	151.8	155.1	151.8	132.1	106.8	92
98		127.1	139.7	143.0	141.8	126.0	102.8	98
105		98.0	125.6	130.0	131.1	119.0	98.1	105
111		-	110.5	119.9	122.0	112.9	95.0	111
118		-	90.7	109.3	112.5	105.9	90.4	118
124		-	-	98.2	105.5	99.8	87.4	124
131		-	-	83.1	98.3	93.8	83.8	131
138		-	-	-	86.7	88.0	80.4	138
144		-	-	-	76.6	84.0	78.3	144
151		-	-	-	62.4	78.1	74.9	151
157		-	-	-	-	71.1	71.8	157
164		-	-	-	-	60.0	68.3	164
177		-	-	-	-	-	53.5	177



308,700 lb 

 360°

DIN/ISO

		Main boom						
Radius	ft	116.5	132.9	149.3	165.7	182.1	196.9	Radius
		1,000 lb						
ft								ft
16		429.8	-	-	-	-	-	16
19		429.8	363.3	-	-	-	-	19
23		423.2	352.6	306.3	-	-	-	23
26		417.1	346.6	298.2	251.4	-	-	26
29		407.4	340.5	292.0	249.4	207.7	160.1	29
33		389.0	330.1	286.2	246.7	203.7	157.5	33
39		352.7	314.0	276.1	240.6	197.6	153.4	39
46		306.0	290.7	266.6	231.4	189.5	147.6	46
52		273.8	268.5	256.5	225.3	181.4	141.5	52
59		242.7	242.7	231.6	216.1	172.0	134.5	59
65		218.5	221.5	215.5	204.0	163.9	128.4	65
72		192.4	195.7	197.7	189.9	155.6	122.5	72
79		170.1	174.5	176.8	175.8	147.4	116.6	79
85		154.0	158.4	161.7	164.8	140.3	111.5	85
92		138.6	141.9	145.2	148.5	132.1	106.8	92
98		126.5	130.8	133.1	136.4	126.0	102.8	98
105		98.0	116.8	120.1	123.4	119.0	98.1	105
111		-	106.7	109.0	113.3	112.9	95.0	111
118		-	90.6	98.2	102.6	104.8	90.4	118
124		-	-	90.1	94.6	96.8	87.4	124
131		-	-	82.9	86.2	88.4	83.8	131
138		-	-	-	78.0	81.3	80.3	138
144		-	-	-	73.0	75.3	76.3	144
151		-	-	-	62.4	69.3	70.4	151
157		-	-	-	-	65.5	66.2	157
164		-	-	-	-	60.0	61.3	164
177		-	-	-	-	-	53.2	177

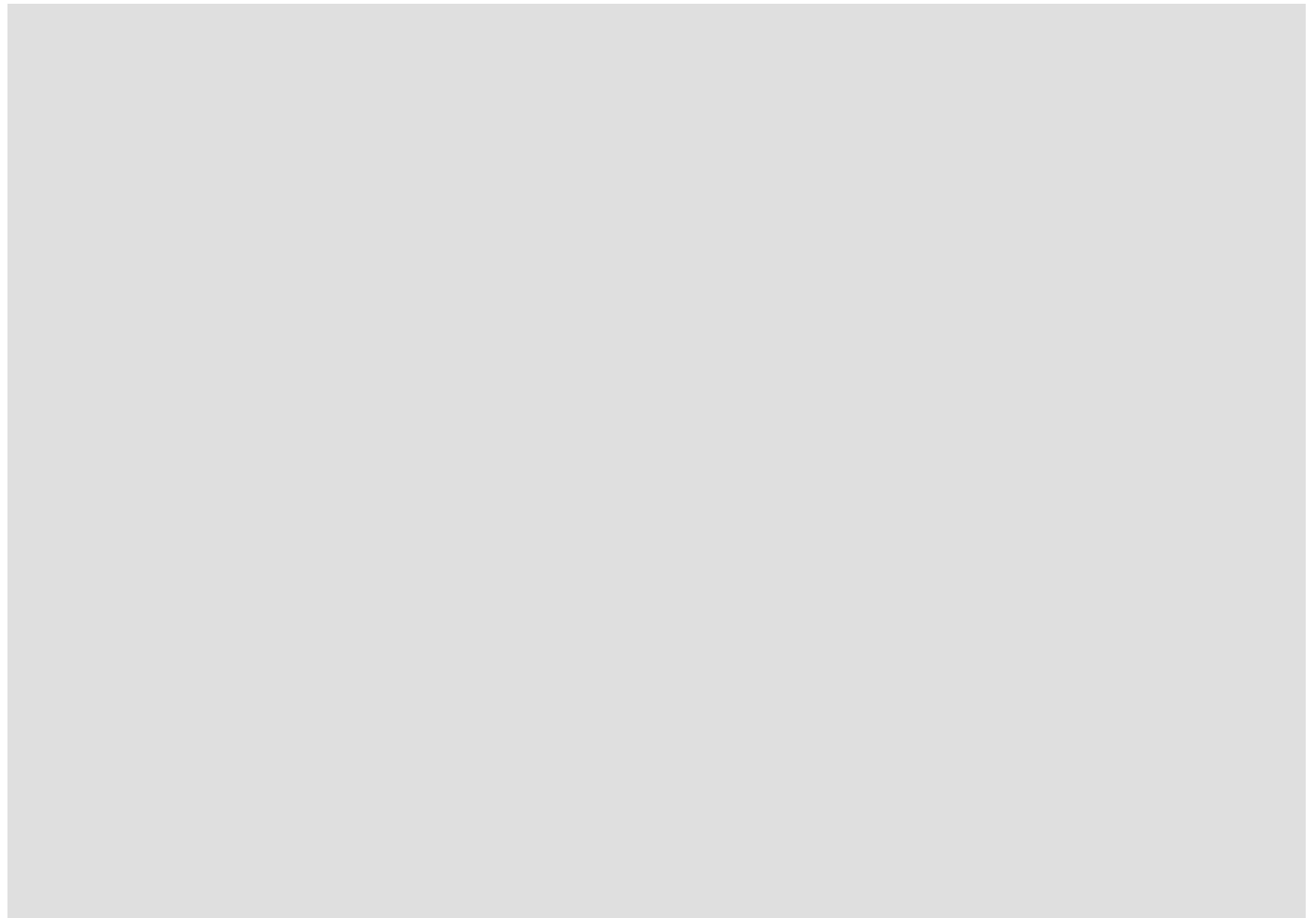
Lifting capacities main boom with SSL 0°

220,500 lb 

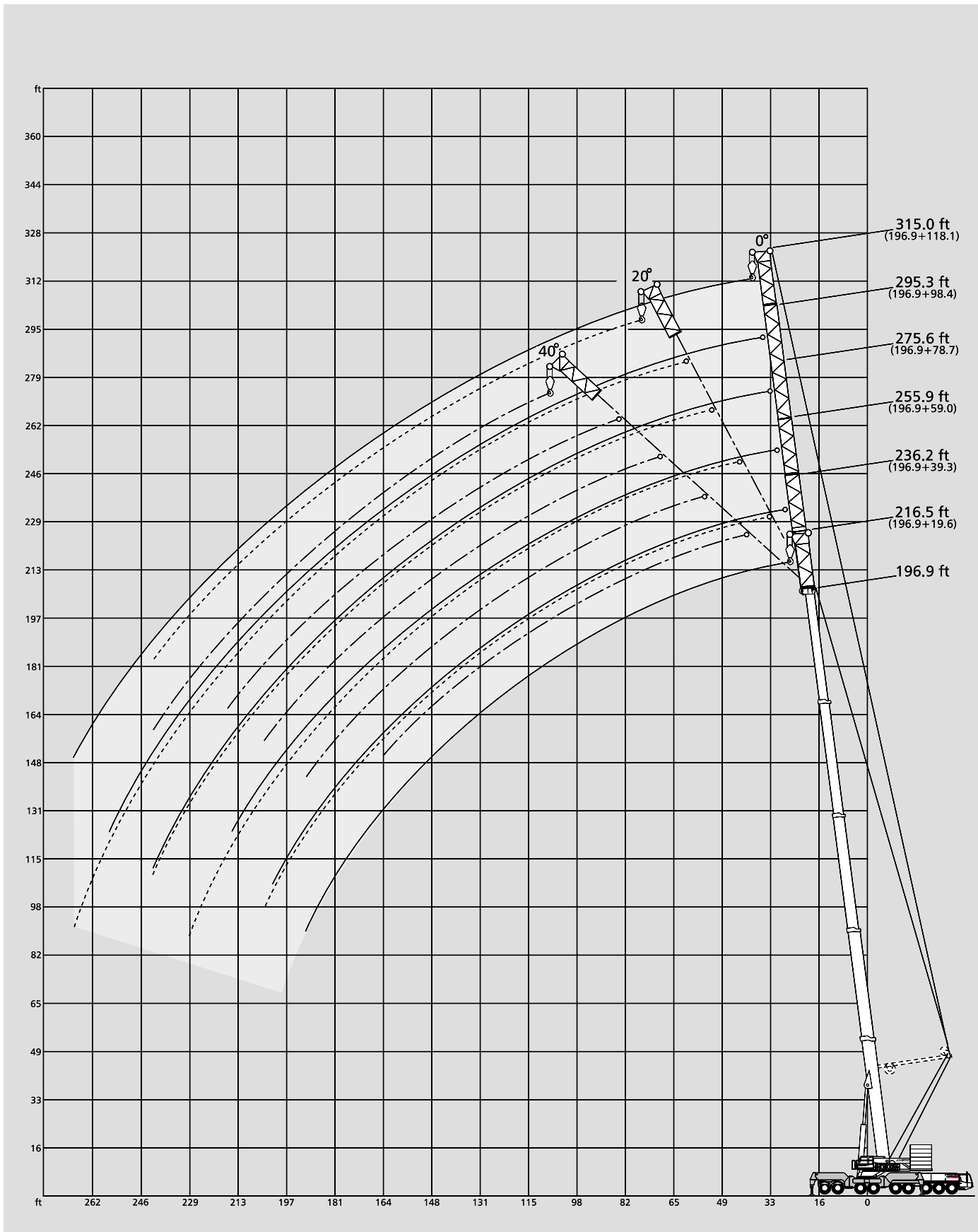
 360°

DIN/ISO

		Main boom						
Radius	ft	116.5	132.9	149.3	165.7	182.1	196.9	Radius
		1,000 lb						
16		429.8	-	-	-	-	-	16
19		429.8	363.3	-	-	-	-	19
23		423.2	352.6	306.3	-	-	-	23
26		417.1	346.6	298.2	251.4	-	-	26
29		407.4	340.5	292.0	249.4	207.7	160.1	29
33		388.8	330.1	286.2	246.7	203.7	157.5	33
39		344.4	314.0	276.1	240.6	197.6	153.4	39
46		292.7	290.6	266.6	231.4	189.5	147.6	46
52		252.4	256.3	256.5	225.3	181.4	141.5	52
59		216.3	219.6	222.9	216.1	172.0	134.5	59
65		188.1	192.4	196.7	196.0	163.9	128.4	65
72		156.2	160.6	165.0	169.3	155.6	122.5	72
79		131.5	135.9	139.3	144.7	147.0	116.6	79
85		115.4	119.8	123.1	127.6	130.8	111.5	85
92		100.0	103.3	106.6	111.0	114.3	106.8	92
98		88.9	92.2	95.5	98.9	102.2	102.8	98
105		77.1	80.4	83.7	88.1	90.3	91.4	105
111		-	72.3	75.7	79.1	82.3	83.4	111
118		-	64.5	67.3	70.6	73.9	75.0	118
124		-	-	60.9	64.8	67.9	68.0	124
131		-	-	54.2	57.9	61.2	62.1	131
138		-	-	-	52.1	55.4	56.2	138
144		-	-	-	47.6	50.7	51.4	144
151		-	-	-	42.9	45.8	46.6	151
157		-	-	-	-	42.1	42.8	157
164		-	-	-	-	38.1	38.8	164
177		-	-	-	-	-	32.4	177



Working ranges main boom extension



Lifting capacities main boom extension

220,500 lb 

 360°

DIN/ISO

196.9 ft Main boom

Radius ft	19.6 ft		39.3 ft		59.0 ft		Extension 78.7 ft		98.4 ft		118.1 ft		Radius ft
	0°	0° 20°	0° 20°	0° 20°	0° 20°	0° 20°	0° 20°	0° 20°	0° 20°	0° 20°			
46	102.2	-	-	-	-	-	-	-	-	-	-	-	46
52	95.3	82.2	-	-	69.5	-	-	-	-	-	-	-	52
59	88.0	75.6	-	-	64.6	-	52.9	-	-	-	-	-	59
65	82.3	70.8	62.2	-	61.0	-	50.1	-	41.6	-	34.9	-	65
72	76.2	65.6	58.9	-	56.9	48.1	47.2	-	39.9	-	33.3	-	72
79	70.8	61.1	55.8	-	53.4	45.7	44.6	-	38.2	-	31.9	-	79
85	66.5	57.7	53.4	-	50.6	43.9	42.6	33.5	36.8	-	30.4	-	85
92	61.8	54.1	50.8	-	47.5	41.8	40.3	32.3	35.2	-	29.0	-	92
98	58.4	51.5	48.6	-	45.3	40.2	38.4	31.5	33.8	27.4	27.8	-	98
105	54.6	48.7	46.2	-	42.9	38.5	36.5	30.6	32.1	26.4	26.4	21.3	105
111	51.6	46.2	44.2	-	40.9	37.1	34.9	29.8	30.9	25.4	25.2	20.5	111
118	48.5	43.9	42.1	-	38.8	35.5	33.3	28.8	29.3	24.4	24.0	19.8	118
124	45.7	41.6	40.3	-	37.0	34.3	31.7	28.0	28.1	23.4	22.8	19.0	124
131	43.0	39.5	38.4	-	35.1	32.8	30.2	27.3	26.5	22.5	21.6	18.3	131
138	40.2	37.1	36.5	-	33.2	31.4	28.6	26.4	25.0	21.3	20.4	17.3	138
144	38.2	35.3	34.9	-	31.8	30.4	27.4	25.6	23.8	20.3	19.4	16.7	144
151	36.1	33.4	33.0	-	30.1	29.0	26.0	24.6	22.4	19.3	18.2	16.0	151
157	34.3	31.8	31.6	-	28.7	27.8	24.9	23.8	21.4	18.3	17.2	15.2	157
164	32.4	29.9	29.9	-	27.1	26.4	23.5	22.9	20.0	17.4	16.3	14.5	164
177	29.1	26.9	27.1	-	24.5	24.0	21.1	20.9	17.8	15.6	14.1	13.0	177
190	26.2	24.3	24.5	-	22.1	21.8	19.0	19.0	15.9	14.1	12.3	11.7	190
203	-	21.9	22.1	-	19.6	19.6	17.0	17.2	13.9	12.6	10.6	10.4	203
216	-	-	-	-	17.7	17.7	15.0	15.2	12.1	11.0	8.8	9.0	216
229	-	-	-	-	-	16.1	13.3	13.5	10.4	9.7	7.5	7.7	229
243	-	-	-	-	-	-	11.4	11.8	8.7	8.5	5.9	6.3	243
256	-	-	-	-	-	-	-	-	7.2	7.4	4.8	5.2	256
269	-	-	-	-	-	-	-	-	-	6.6	-	-	269

132,300 lb 

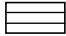

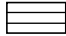

 360°

DIN/ISO

196.9 ft Main boom

Radius ft	19.6 ft		39.3 ft			59.0 ft			Extension 78.7 ft			98.4 ft			118.1 ft			Radius ft
	0°	0° 20° 40°	0° 20° 40°	0° 20° 40°	0° 20° 40°	0° 20° 40°	0° 20° 40°	0° 20° 40°	0° 20° 40°	0° 20° 40°	0° 20° 40°	0° 20° 40°						
46	102.2	-	-	-	-	-	-	-	-	-	-	-	-	-	-	-	46	
52	95.3	82.2	-	-	69.5	-	-	-	-	-	-	-	-	-	-	-	52	
59	88.0	75.6	-	-	64.6	-	-	52.9	-	-	-	-	-	-	-	-	59	
65	82.3	70.8	62.2	-	61.0	-	-	50.1	-	-	41.6	-	-	34.9	-	-	65	
72	76.2	65.6	58.9	53.8	56.9	48.1	-	47.2	-	-	39.9	-	-	33.3	-	-	72	
79	70.8	61.1	55.8	51.7	53.4	45.7	-	44.6	-	-	38.2	-	-	31.9	-	-	79	
85	66.5	57.7	53.4	50.1	50.6	43.9	39.0	42.6	33.5	-	36.8	-	-	30.4	-	-	85	
92	61.8	54.1	50.8	48.0	47.5	41.8	37.6	40.3	32.3	-	35.2	-	-	29.0	-	-	92	
98	58.4	51.5	48.6	46.4	45.3	40.2	36.4	38.4	31.5	-	33.8	27.4	-	27.8	-	-	98	
105	53.1	48.7	46.2	44.5	42.9	38.5	35.2	36.5	30.6	25.7	32.1	26.4	-	26.4	21.3	-	105	
111	47.6	46.2	44.2	43.1	40.9	37.1	34.2	34.9	29.8	25.5	30.9	25.4	-	25.2	20.5	-	111	
118	41.9	41.9	42.1	41.2	38.8	35.5	33.0	33.3	28.8	25.3	29.3	24.4	20.7	24.0	19.8	-	118	
124	37.7	37.7	40.3	39.8	37.0	34.3	32.0	31.7	28.0	24.9	28.1	23.4	20.1	22.8	19.0	-	124	
131	33.2	33.2	36.0	37.9	34.4	32.8	30.9	30.2	27.3	24.6	26.5	22.5	19.4	21.6	18.3	-	131	
138	29.0	29.2	31.8	33.6	30.5	31.4	29.7	28.6	26.4	24.2	25.0	21.3	18.7	20.4	17.3	15.1	138	
144	25.9	26.1	28.6	30.1	27.5	30.4	28.9	27.4	25.6	23.8	23.8	20.3	18.1	19.4	16.7	14.5	144	
151	22.6	22.8	25.0	26.4	24.2	27.7	27.7	25.5	24.6	23.3	22.4	19.3	17.4	18.2	16.0	14.1	151	
157	20.0	20.2	22.2	23.3	21.8	25.1	26.9	23.1	23.8	22.9	21.4	18.3	16.8	17.2	15.2	13.7	157	
164	17.2	17.4	19.2	20.3	18.9	22.0	24.0	20.3	22.9	22.4	20.0	17.4	16.0	16.3	14.5	13.2	164	
177	12.6	12.8	14.3	-	14.3	17.0	18.5	15.9	19.4	21.1	16.7	15.6	15.0	14.1	13.0	12.3	177	
190	8.6	9.1	10.0	-	10.6	12.6	13.7	11.9	15.0	17.2	13.0	14.1	13.9	12.3	11.7	11.2	190	
203	-	5.6	6.2	-	7.1	8.9	-	8.7	11.3	12.9	9.8	12.6	12.6	10.2	10.4	10.3	203	
216	-	-	-	-	-	5.4	-	5.6	7.8	-	6.7	9.8	11.5	7.3	9.0	9.3	216	
229	-	-	-	-	-	-	-	-	4.7	-	-	6.9	-	4.7	7.7	8.2	229	
243	-	-	-	-	-	-	-	-	-	-	-	-	-	-	5.2	7.0	243	

Lifting capacities main boom extension with SSL 0° + 30°

352,800 lb   360° DIN/ISO 220,500 lb   360° DIN/ISO

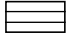

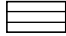

196.9 ft Main boom + SSL 0°

Radius ft	Extension					
	19.6 ft		39.3 ft		59.0 ft	
	0°	0°	20°	0°	20°	0°
		1,000 lb				
33	117.9	-	-	-	-	-
39	116.9	95.2	-	77.2	-	-
46	112.8	91.6	-	74.7	-	-
52	109.6	88.6	85.0	72.2	-	-
59	105.8	85.1	82.0	69.6	-	-
65	102.6	82.3	79.6	67.4	59.1	-
72	99.2	79.0	76.7	64.8	56.7	-
79	96.0	75.9	73.9	62.2	54.3	-
85	93.1	73.3	71.7	60.0	52.7	-
92	90.1	70.4	69.4	57.7	50.8	-
98	87.4	68.2	67.3	55.7	49.6	-
105	84.4	65.9	65.0	53.7	48.2	-
111	81.8	63.8	63.2	51.9	47.0	-
118	78.9	61.7	61.1	50.2	46.0	-
124	76.5	59.9	59.4	48.6	45.0	-
131	73.9	58.2	57.8	47.2	44.1	-
138	71.3	56.3	55.9	45.8	43.1	-
144	69.1	55.1	54.7	44.8	42.3	-
151	66.7	53.5	53.1	43.6	41.4	-
157	64.7	52.5	51.9	42.8	40.8	-
164	62.6	51.1	50.7	41.8	40.1	-
177	58.9	49.1	48.5	40.3	38.6	-
190	-	47.2	46.5	39.0	37.5	-
203	-	44.8	44.8	37.7	36.1	-
216	-	-	-	36.4	35.0	-

196.9 ft Main boom + SSL 0°

Radius ft	Extension					
	19.6 ft		39.3 ft		59.0 ft	
	0°	0°	20°	40°	0°	20°
		1,000 lb				
33	117.9	-	-	-	-	-
39	116.9	95.2	-	-	77.2	-
46	112.8	91.6	-	-	74.7	-
52	109.6	88.6	85.0	-	72.2	-
59	105.8	85.1	82.0	-	69.6	-
65	102.6	82.3	79.6	67.9	67.4	59.1
72	99.2	79.0	76.7	67.0	64.8	56.7
79	96.0	75.9	73.9	66.0	62.2	54.3
85	93.1	73.3	71.7	65.0	60.0	52.7
92	90.1	70.4	69.4	63.9	57.7	50.8
98	87.4	68.2	67.3	62.9	55.7	49.6
105	84.4	65.9	65.0	61.5	53.7	48.2
111	81.8	63.8	63.2	60.4	51.9	47.0
118	77.0	61.7	61.1	59.1	50.2	46.0
124	70.6	59.9	59.4	57.8	48.6	45.0
131	63.9	58.2	57.8	56.4	47.2	44.1
138	58.0	56.3	55.9	55.0	45.8	43.1
144	53.4	53.9	54.7	53.8	44.8	42.3
151	48.2	48.8	51.3	52.4	43.6	41.4
157	44.4	45.0	47.0	48.3	42.8	40.8
164	40.1	40.8	42.7	43.6	41.8	40.1
177	33.5	34.0	35.5	-	35.7	38.3
190	-	28.3	29.4	-	30.1	32.3
203	-	23.5	24.4	-	25.0	26.8
216	-	-	-	-	20.8	22.2

3

352,800 lb   360° DIN/ISO 220,500 lb   360° DIN/ISO

196.9 ft Main boom + SSL 30°

Radius ft	Extension				
	39.3 ft	59.0 ft	78.7 ft	98.4 ft	118.1 ft
	0°	0°	0°	0°	0°
		1,000 lb			
46	113.4	88.7	64.9	-	-
52	106.6	83.7	60.9	52.7	-
59	98.6	78.0	56.9	49.1	41.4
65	92.1	73.6	53.8	46.5	39.2
72	84.8	68.6	50.5	43.7	36.6
79	77.8	64.2	47.7	41.1	34.5
85	72.1	60.3	45.7	39.3	32.7
92	66.0	56.3	43.3	37.2	30.8
98	61.1	53.1	41.7	35.6	29.4
105	56.4	49.8	40.1	33.9	27.9
111	52.1	46.9	38.5	32.7	26.7
118	48.1	44.1	37.0	31.3	25.3
124	44.8	41.5	35.6	30.3	24.3
131	41.7	39.1	34.2	29.1	23.4
138	38.9	36.7	32.8	27.9	22.4
144	36.9	34.9	31.3	26.9	21.6
151	34.5	32.8	29.9	26.0	20.9
157	32.9	31.2	28.7	24.9	20.1
164	31.0	29.3	27.3	24.0	19.4
177	28.2	26.4	24.7	22.2	18.3
190	25.4	23.8	22.3	20.5	17.2
203	22.5	21.6	20.1	18.7	16.1
216	-	19.2	18.1	17.0	15.0
229	-	-	16.1	15.5	13.9
243	-	-	-	13.6	12.7
256	-	-	-	11.8	11.4
269	-	-	-	-	9.7

196.9 ft Main boom + SSL 30°

Radius ft	Extension				
	39.3 ft	59.0 ft	78.7 ft	98.4 ft	118.1 ft
	0°	0°	0°	0°	0°
		1,000 lb			
46	113.4	88.7	64.9	-	-
52	106.6	83.7	60.9	52.7	-
59	98.6	78.0	56.9	49.1	41.4
65	92.1	73.6	53.8	46.5	39.2
72	84.8	68.6	50.5	43.7	36.6
79	77.8	64.2	47.7	41.1	34.5
85	72.1	60.3	45.7	39.3	32.7
92	66.0	56.3	43.3	37.2	30.8
98	61.1	53.1	41.7	35.6	29.4
105	56.4	49.8	40.1	33.9	27.9
111	52.1	46.9	38.5	32.7	26.7
118	48.1	44.1	37.0	31.3	25.3
124	44.8	41.5	35.6	30.3	24.3
131	41.7	39.1	34.2	29.1	23.4
138	38.9	36.7	32.8	27.9	22.4
144	36.9	34.9	31.3	26.9	21.6
151	34.5	32.8	29.9	26.0	20.9
157	32.9	31.2	28.7	24.9	20.1
164	31.0	29.3	27.3	24.0	19.4
177	28.2	26.4	24.7	22.2	18.3
190	25.4	23.8	22.3	20.5	17.2
203	22.5	21.6	20.1	18.7	16.1
216	-	19.2	18.1	17.0	15.0
229	-	-	16.1	15.5	13.9
243	-	-	-	13.6	12.7
256	-	-	-	11.8	11.4
269	-	-	-	-	9.7

Notes to lifting capacity

Ratings are in compliance with ISO 4305 and DIN 15019.2 (test load = 1.25 x suspended load + 0.1 x dead weight of boom, reduced to boom point).

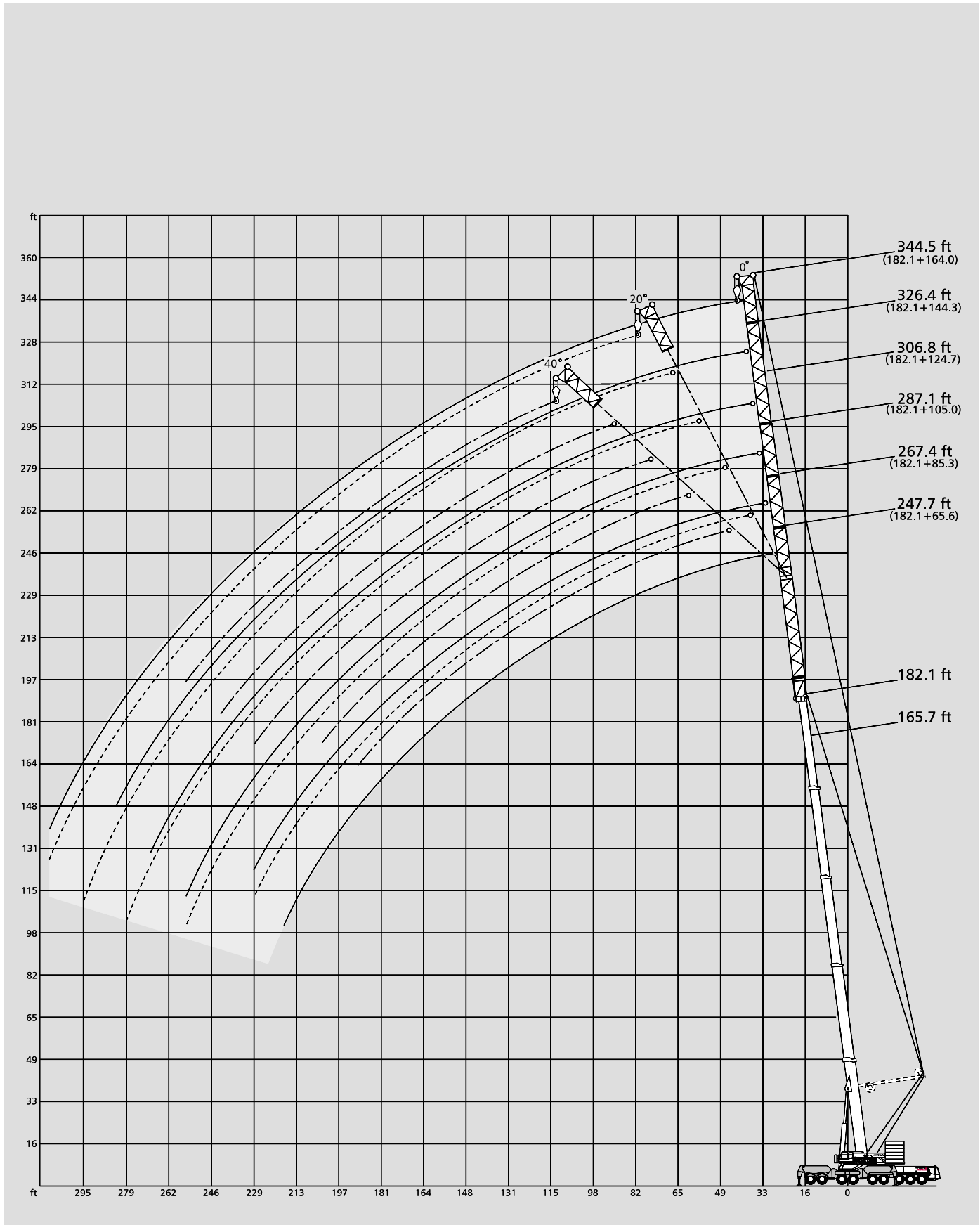
Weight of hook blocks and slings is part of the load, and is to be deducted from the capacity ratings.

Crane operation is permissible up to a
wind pressure of 1.25 lb/sq ft
wind speed of 32 ft/s

Consult operation manual for further details.

Note: Data published herein is intended as a guide only and shall not be construed to warrant applicability for lifting purposes. Crane operation is subject to the computer charts and operation manual both supplied with the crane.

Working ranges fixed fly jib



Lifting capacities fixed fly jib



360°

DIN/ISO

165.7 ft Main boom																				
Radius ft	65.6 ft			85.3 ft			105.0 ft			Fly jib 124.7 ft			144.4 ft			164.0 ft			Radius ft	
	0°	0°	20°	40°	0°	20°	40°	0°	20°	40°	0°	20°	40°	0°	20°	40°	0°	20°		40°
	104.1	-	-	-	-	-	-	-	-	-	-	-	-	-	-	-	-	-	-	
46	96.7	83.9	-	-	-	-	-	-	-	-	-	-	-	-	-	-	-	-	-	46
52	89.1	77.8	-	-	69.4	-	-	-	-	-	-	-	-	-	-	-	-	-	-	52
59	83.2	73.0	66.6	-	65.0	-	-	53.3	-	-	43.3	-	-	-	-	-	-	-	-	59
65	76.8	68.0	62.9	58.7	60.5	-	-	50.9	-	-	41.2	-	-	-	-	-	36.2	-	-	65
72	71.4	63.3	59.3	56.1	56.3	50.8	-	48.6	-	-	39.1	-	-	-	-	-	34.3	-	-	72
79	67.4	59.7	56.3	53.9	53.0	49.0	-	46.6	35.0	-	37.5	-	-	-	-	-	32.7	-	-	79
85	62.9	55.7	53.2	51.3	49.5	46.6	42.0	44.2	34.3	-	35.6	-	-	-	-	-	31.0	-	-	85
92	59.7	52.8	50.8	49.3	46.9	44.6	40.8	42.2	33.5	-	34.2	25.6	-	-	-	-	29.4	-	-	92
98	56.2	49.6	48.0	46.9	44.0	42.5	39.6	39.9	32.8	27.1	32.4	24.6	-	-	-	-	27.7	-	-	98
105	53.5	47.1	45.8	44.9	41.8	40.7	38.4	38.0	32.0	26.7	30.9	23.8	-	-	-	-	26.5	21.2	-	105
111	50.5	44.5	43.4	43.0	39.7	38.6	37.0	35.9	31.3	26.2	29.5	22.9	19.6	24.9	20.5	-	-	-	-	111
118	48.3	42.5	41.6	41.2	37.9	36.9	35.6	34.1	30.5	26.0	28.1	22.3	19.2	23.7	19.9	-	-	-	-	118
124	45.9	40.4	39.7	39.3	35.7	35.1	34.2	32.0	29.5	25.5	26.7	21.4	18.7	22.3	19.2	-	-	-	-	124
131	43.5	38.5	37.8	37.6	34.1	33.2	32.5	30.1	28.4	25.1	25.3	20.7	18.5	21.1	18.4	15.4	-	-	-	131
138	41.7	37.1	36.4	36.2	32.5	31.8	31.3	28.7	27.6	24.7	24.3	20.3	18.1	19.9	17.6	15.2	-	-	-	138
144	39.6	35.4	35.0	34.5	30.8	30.1	29.7	26.8	26.4	24.2	22.9	19.6	17.6	18.7	16.9	14.7	-	-	-	144
151	38.0	34.2	33.8	33.3	29.6	28.9	28.5	25.6	25.6	23.6	21.9	19.0	17.2	17.7	16.1	14.3	-	-	-	151
157	36.3	32.8	32.4	31.9	28.0	27.5	27.1	24.0	24.4	23.1	20.5	18.3	16.9	16.5	15.4	14.1	-	-	-	157
164	33.1	30.4	30.0	29.7	25.6	24.9	24.7	21.4	22.0	21.8	18.3	17.2	16.3	14.5	13.6	13.0	-	-	-	164
177	30.2	28.2	27.8	-	23.2	22.9	22.5	19.2	19.8	20.3	16.3	15.9	15.4	12.8	12.1	11.9	-	-	-	177
190	27.2	25.8	25.6	-	21.2	21.0	-	17.2	17.4	18.3	14.3	14.5	14.5	11.0	10.6	10.6	-	-	-	190
203	-	23.2	23.2	-	19.2	19.0	-	15.2	15.5	15.7	12.6	13.0	13.2	9.5	9.3	9.3	-	-	-	203
216	-	-	-	-	17.2	17.4	-	13.7	13.5	-	11.1	11.7	11.9	8.2	8.0	8.2	-	-	-	216
229	-	-	-	-	-	15.6	-	12.1	11.8	-	9.6	10.3	-	7.0	6.8	7.0	-	-	-	229
243	-	-	-	-	-	-	-	10.7	10.7	-	8.5	9.0	-	5.9	5.9	6.1	-	-	-	243
256	-	-	-	-	-	-	-	-	-	-	7.7	8.1	-	5.0	5.0	-	-	-	-	256
269	-	-	-	-	-	-	-	-	-	-	-	7.2	-	4.4	4.6	-	-	-	-	269
282	-	-	-	-	-	-	-	-	-	-	-	-	-	-	-	-	-	-	-	282
295	-	-	-	-	-	-	-	-	-	-	-	-	-	-	-	-	-	-	-	295

182.1 ft Main boom																			
ft	1,000 lb														ft				
	52	81.7	-	-	-	-	-	-	-	-	-	-	-	-		-	-	-	-
59	76.1	63.5	-	-	-	-	-	-	-	-	-	-	-	-	-	-	-	-	59
65	71.8	59.8	-	-	52.3	-	-	-	-	-	-	-	-	-	-	-	-	-	65
72	67.1	55.8	50.9	-	49.2	-	-	44.1	-	-	38.8	-	-	-	-	-	-	-	72
79	62.9	52.3	48.6	46.2	46.1	-	-	41.7	-	-	36.2	-	-	30.7	-	-	-	-	79
85	59.4	49.5	46.6	44.1	43.7	39.1	-	39.5	-	-	34.2	-	-	29.1	-	-	-	-	85
92	55.9	46.4	44.2	42.0	41.4	37.0	-	37.2	-	-	31.9	-	-	27.0	-	-	-	-	92
98	53.3	44.0	42.2	40.2	39.3	35.1	32.3	35.4	32.0	-	30.1	-	-	25.4	-	-	-	-	98
105	50.4	41.4	39.9	38.1	37.2	33.2	30.6	33.2	30.6	-	28.2	24.2	-	23.8	-	-	-	-	105
111	48.2	39.4	38.0	36.3	35.4	31.6	29.2	31.4	29.4	26.9	26.6	23.2	-	22.1	-	-	-	-	111
118	45.6	37.2	35.9	34.4	33.5	30.0	27.5	29.3	28.0	25.8	24.7	21.8	-	20.7	18.9	-	-	-	118
124	43.8	35.4	34.1	32.8	31.9	28.5	26.3	27.7	26.8	24.8	23.3	20.8	18.5	19.3	17.9	-	-	-	124
131	41.7	33.5	32.2	30.9	30.2	26.9	24.9	25.8	25.1	23.6	21.6	19.6	17.8	17.9	17.0	-	-	-	131
138	39.6	31.9	30.3	29.2	28.6	25.5	23.7	24.2	23.7	22.2	20.2	18.4	16.9	16.7	16.0	-	-	-	138
144	38.2	30.5	28.9	27.8	27.4	24.3	22.5	22.7	22.5	21.2	19.0	17.6	16.3	15.5	15.2	14.3	-	-	144
151	36.3	28.8	27.5	26.2	25.7	23.1	21.3	21.1	21.1	20.0	17.6	16.5	15.4	14.3	14.3	13.4	-	-	151
157	34.9	27.6	26.3	25.0	24.5	22.1	20.5	19.9	19.9	19.0	16.6	15.7	14.6	13.5	13.3	12.6	-	-	157
164	33.3	26.2	24.9	23.5	23.1	20.9	19.4	18.5	18.5	17.8	15.4	14.7	13.8	12.3	12.3	11.6	-	-	164
177	30.6	23.8	22.5	21.4	20.5	18.7	17.6	16.1	16.3	15.6	13.2	13.0	12.3	10.6	10.6	10.1	-	-	177
190	28.0	21.6	20.5	19.4	18.1	17.0	15.9	14.1	14.1	13.7	11.5	11.2	10.8	9.0	9.0	8.8	-	-	190
203	25.4	19.4	18.7	-	15.9	15.2	14.1	12.6	12.4	11.9	9.9	9.7	9.3	7.5	7.5	7.5	-	-	203
216	23.0	17.7	17.2	-	14.1	13.7	-	11.0	11.0	10.4	8.4	8.2	8.0	6.2	6.2	6.4	-	-	216
229	-	15.7	15.7	-	12.4	12.4	-	9.7	9.7	9.3	7.1	6.9	6.8	4.9	5.1	5.3	-	-	229
243	-	-	-	-	11.0	11.2	-	8.3	8.3	-	5.9	5.7	5.7	-	-	4.3	-	-	243
256	-	-	-	-	9.9	10.1	-	7.4	7.4	-	4.8	4.8	-	-	-	-	-	-	256
269	-	-	-	-	-	-	-	6.3	6.6	-	-	-	-	-	-	-	-	-	269
282	-	-	-	-	-	-	-	-	-	-	-	-	-	-	-	-	-	-	282

Remarks

Counterweight 132,300 lb 176,400 lb 220,500 lb 264,600 lb 308,700 lb 352,800 lb

Max. capacities with minimum counterweight · Further counterweight configurations on request

Lifting capacities fixed fly jib with SSL 0° + 30°



360°

DIN/ISO

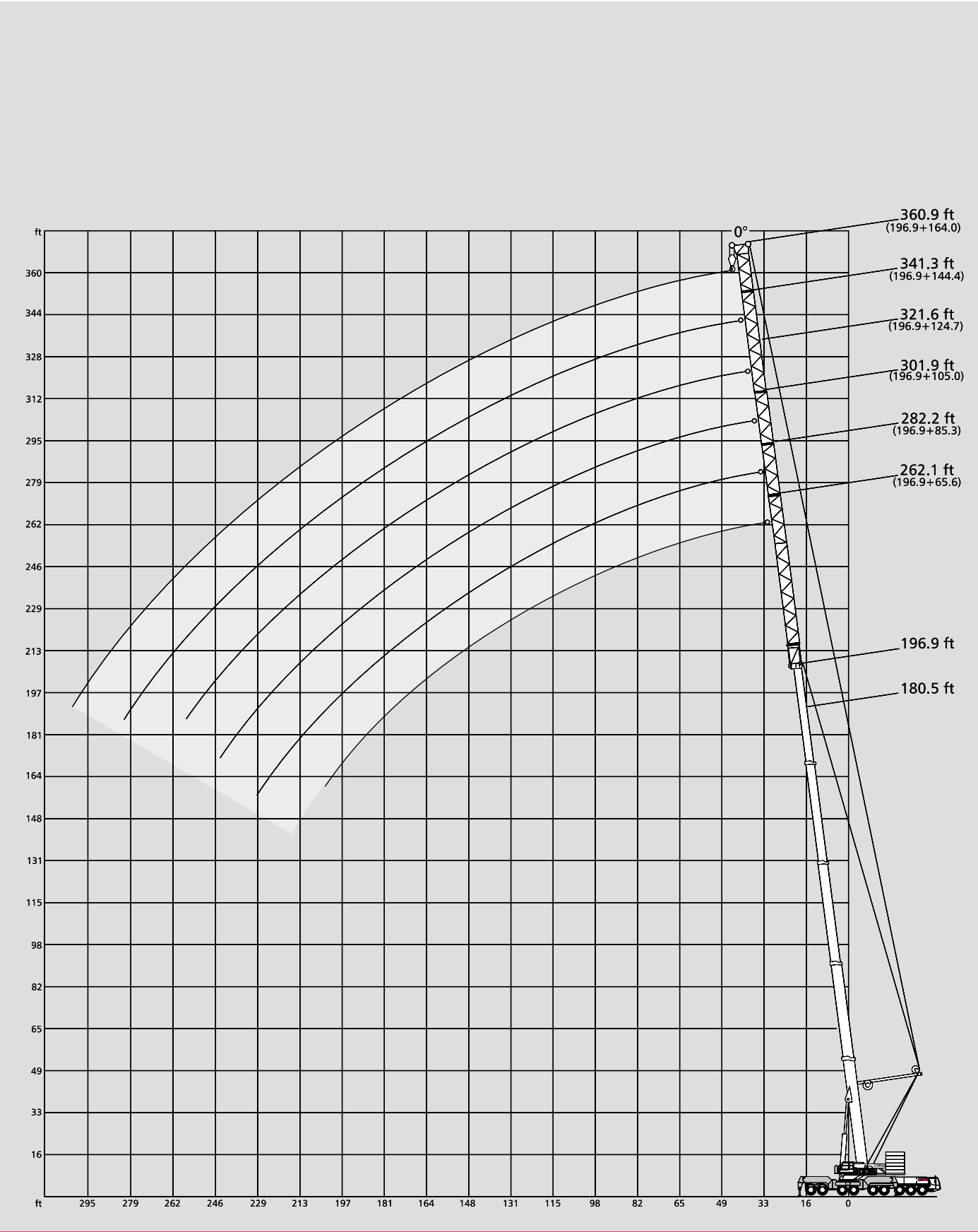
182.1 ft Main boom		Fly jib																					
		65.6 ft			85.3 ft			105.0 ft			124.7 ft			144.4 ft			164.0 ft						
Radius		0°	0°	20°	40°	0°	20°	40°	0°	20°	40°	0°	20°	40°	0°	20°	40°	0°	20°	40°	Radius		
ft		1,000 lb																				ft	
39		93.1	-	-	-	-	-	-	-	-	-	-	-	-	-	-	-	-	-	-	-	39	
46		90.3	69.4	-	-	57.9	-	-	-	-	-	-	-	-	-	-	-	-	-	-	-	46	
52		88.1	68.2	-	-	57.5	-	-	48.9	-	-	-	-	-	-	-	-	-	-	-	-	52	
59		85.3	67.0	62.4	-	56.8	-	-	48.5	-	-	40.7	-	-	31.7	-	-	-	-	-	-	59	
65		82.9	65.6	60.9	-	56.0	-	-	47.9	-	-	39.9	-	-	31.1	-	-	-	-	-	-	65	
72		80.3	64.1	59.3	57.7	54.9	49.1	-	46.9	-	-	39.0	-	-	30.2	-	-	-	-	-	-	72	
79		77.5	62.5	57.7	56.1	53.7	48.2	-	46.0	37.2	-	38.1	-	-	29.5	-	-	-	-	-	-	79	
85		75.2	60.9	56.2	54.7	52.7	47.4	43.9	45.0	36.2	-	37.2	-	-	28.7	-	-	-	-	-	-	85	
92		72.7	59.2	54.4	53.0	51.3	46.2	42.9	43.8	35.0	-	36.1	28.6	-	27.9	-	-	-	-	-	-	92	
98		70.4	57.6	53.0	51.6	50.1	45.2	41.9	42.8	34.2	28.2	35.3	27.8	-	27.1	-	-	-	-	-	-	98	
105		67.8	55.9	51.3	50.0	48.4	43.8	40.5	41.4	33.0	27.7	34.1	26.8	-	26.2	21.6	-	-	-	-	-	105	
111		65.6	54.3	49.7	48.4	47.2	42.8	39.5	40.4	32.2	27.3	33.1	26.2	-	25.6	20.9	-	-	-	-	-	111	
118		63.3	52.5	48.0	46.7	45.6	41.4	38.3	39.0	31.3	26.6	31.9	25.5	21.8	24.7	20.5	-	-	-	-	-	118	
124		61.0	50.8	46.6	45.3	44.2	40.2	37.1	37.8	30.7	26.2	31.1	24.9	21.4	24.0	19.9	-	-	-	-	-	124	
131		58.7	49.0	45.0	43.7	42.6	38.8	35.9	36.4	29.7	25.5	30.0	24.2	21.1	23.1	19.4	15.4	-	-	-	-	131	
138		56.3	47.3	43.3	42.0	40.9	37.4	34.5	35.2	29.0	25.1	29.0	23.7	20.7	22.4	18.9	14.9	-	-	-	-	138	
144		54.5	45.7	42.1	40.8	39.7	36.2	33.5	34.0	28.4	24.7	28.2	23.1	20.3	21.8	18.3	14.7	-	-	-	-	144	
151		52.2	44.0	40.7	39.4	38.1	35.0	32.1	32.8	27.7	24.0	27.3	22.7	19.8	20.9	17.8	14.5	-	-	-	-	151	
157		50.4	42.4	39.7	38.2	36.9	33.8	31.1	31.8	27.1	23.6	26.5	22.2	19.4	20.3	17.4	14.1	-	-	-	-	157	
164		48.5	40.7	38.3	37.0	35.5	32.6	29.9	30.6	26.4	23.1	25.5	21.8	18.9	19.6	16.9	13.8	-	-	-	-	164	
177		45.0	37.9	36.1	34.2	33.1	30.6	28.0	28.6	25.1	22.0	24.2	20.9	18.0	18.5	16.1	13.2	-	-	-	-	177	
190		41.9	35.3	34.2	-	30.6	28.7	26.2	26.9	23.8	20.9	22.9	19.8	17.4	17.6	15.4	12.7	-	-	-	-	190	
203		39.3	32.9	32.2	-	28.7	26.9	24.7	25.4	22.7	19.8	21.8	18.9	16.5	16.7	14.5	12.1	-	-	-	-	203	
216		34.5	30.7	30.7	-	26.7	25.4	-	24.0	21.6	18.7	20.9	18.1	15.6	15.9	13.9	11.6	-	-	-	-	216	
229		-	29.1	29.1	-	25.0	23.8	-	22.7	20.3	-	19.8	17.2	14.8	15.2	13.2	11.0	-	-	-	-	229	
243		-	-	-	-	23.5	22.4	-	21.3	19.1	-	18.9	16.2	14.0	14.5	12.5	10.5	-	-	-	-	243	
256		-	-	-	-	-	21.1	-	20.4	17.8	-	18.0	15.2	-	14.1	12.1	9.9	-	-	-	-	256	
269		-	-	-	-	-	-	-	19.6	16.5	-	17.1	14.3	-	13.4	11.4	-	-	-	-	-	269	
282		-	-	-	-	-	-	-	-	-	-	16.3	13.4	-	13.0	11.0	-	-	-	-	-	282	
295		-	-	-	-	-	-	-	-	-	-	-	12.8	-	12.5	10.3	-	-	-	-	-	295	
308		-	-	-	-	-	-	-	-	-	-	-	-	-	10.4	9.7	-	-	-	-	-	308	



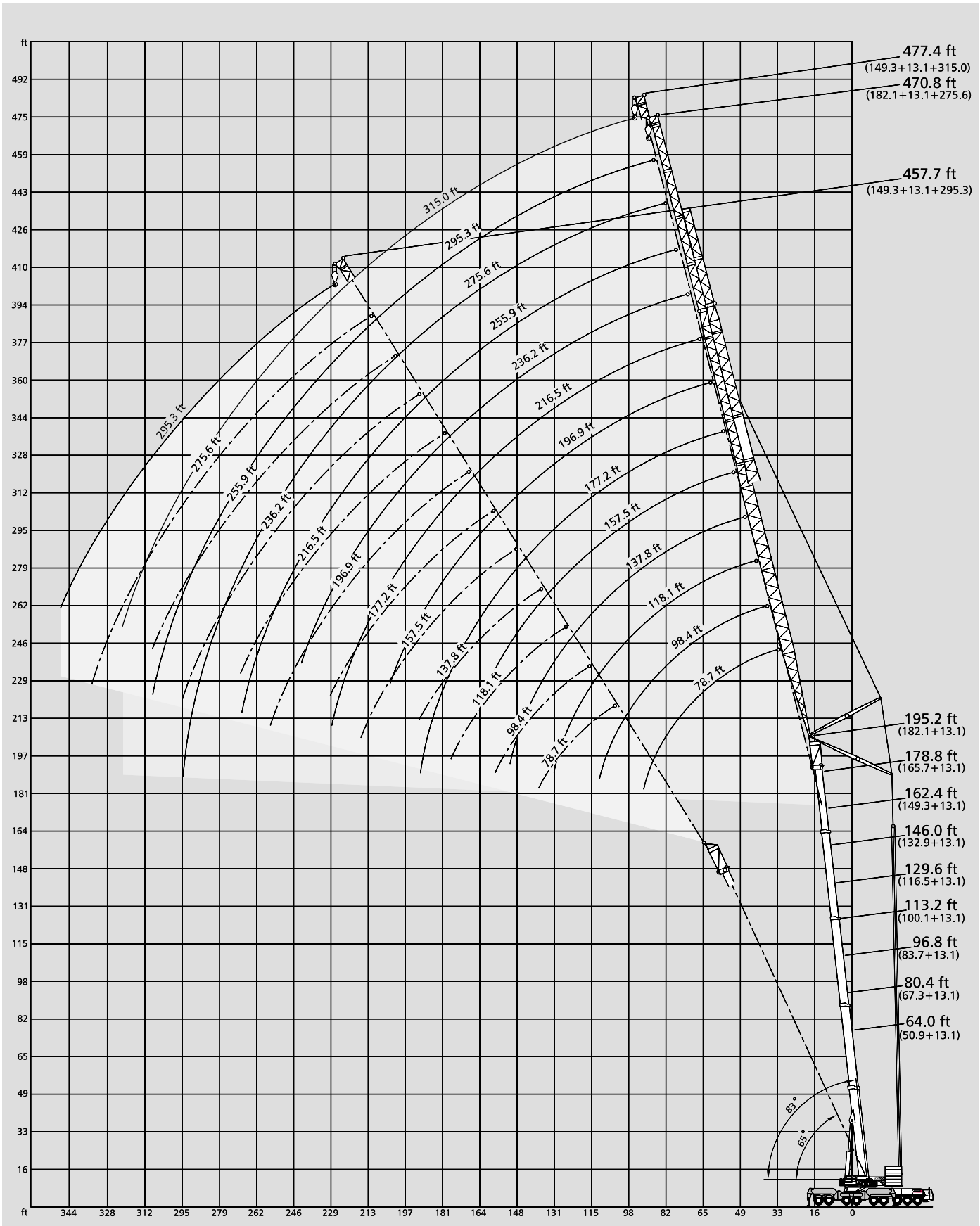
182.1 ft Main boom + SSL 30°		Fly jib					
		65.6 ft	85.3 ft	105.0 ft	124.7 ft	144.4 ft	164.0 ft
Radius		0°	0°	0°	0°	0°	0°
ft		1,000 lb					
46		106.8	-	-	-	-	-
52		99.5	88.9	75.9	-	-	-
59		91.5	82.2	71.0	57.3	48.0	-
65		85.3	76.6	66.9	54.9	45.8	37.2
72		78.4	70.7	62.2	52.1	43.4	35.1
79		71.8	65.2	58.0	49.2	41.1	33.2
85		66.8	60.8	54.8	47.0	39.3	31.8
92		61.4	56.1	51.0	44.4	37.4	30.1
98		57.1	52.3	48.0	42.4	35.8	28.7
105		52.6	48.4	44.9	40.1	33.9	27.3
111		48.8	45.2	42.1	38.1	32.5	26.1
118		45.2	41.9	39.5	35.9	30.8	24.9
124		42.0	39.1	37.0	34.3	29.6	23.7
131		38.9	36.4	34.6	32.2	28.2	22.5
138		36.0	33.8	32.3	30.3	26.8	21.5
144		34.0	32.0	30.5	28.9	25.6	20.5
151		31.5	29.9	28.6	27.0	24.2	19.6
157		29.8	28.3	27.0	25.6	23.2	18.6
164		28.0	26.6	25.3	24.0	21.8	17.6
177		25.1	24.0	22.5	21.4	19.4	15.8
190		22.7	21.6	20.3	18.7	17.2	14.3
203		20.5	19.6	18.1	16.6	15.2	12.6
216		-	17.7	16.1	14.6	13.3	11.2
229		-	15.7	14.4	12.8	11.5	9.7
243		-	-	12.5	11.4	9.8	8.5
256		-	-	-	10.1	8.5	7.4
269		-	-	-	-	7.4	6.3
282		-	-	-	-	6.8	5.5
295		-	-	-	-	-	4.8

196.9 ft Main boom + SSL 30°		Fly jib					
		65.6 ft	85.3 ft	105.0 ft	124.7 ft	144.4 ft	164.0 ft
Radius		0°	0°	0°	0°	0°	0°
ft		1,000 lb					
46		97.3	-	-	-	-	-
52		90.7	81.5	-	-	-	-
59		83.8	76.1	59.5	54.4	-	-
65		78.1	71.4	59.5	51.8	43.9	34.0
72		72.0	66.4	57.8	49.0	41.5	32.4
79		66.6	61.7	54.3	46.4	39.1	31.0
85		62.1	57.9	51.3	44.2	37.3	29.6
92		57.6	53.7	48.0	41.8	35.4	28.1
98		53.8	50.2	45.3	39.8	33.8	27.1
105		50.0	46.7	42.3	37.4	31.9	25.7
111		46.8	43.7	39.7	35.6	30.5	24.7
118		43.4	40.3	37.0	33.7	28.9	23.6
124		40.6	37.7	34.8	31.9	27.4	22.4
131		37.7	35.1	32.4	30.0	26.0	21.4
138		34.9	32.5	30.1	28.3	24.6	20.2
144		32.9	30.5	28.3	26.7	23.6	19.2
151		30.6	28.4	26.4	25.1	22.2	18.2
157		28.8	27.0	25.0	23.9	21.2	17.2
164		26.6	25.1	23.1	22.2	19.8	16.3
177		23.4	22.3	20.5	19.6	17.6	14.5
190		20.7	19.8	18.3	17.0	15.4	12.8
203		18.5	17.9	16.3	14.8	13.5	11.0
216		16.6	16.1	14.6	12.8	11.5	9.5
229		-	14.1	13.0	11.1	9.9	8.2
243		-	12.0	11.4	9.4	8.3	6.8
256		-	-	9.9	8.1	7.0	5.5
269		-	-	-	7.0	6.1	4.4
282		-	-	-	-	5.3	-
295		-	-	-	-	4.8	-

Working ranges fixed fly jib with SSL 30°



Working ranges luffing fly jib, main boom 83° to 65°



Lifting capacities luffing fly jib, main boom 83° to 65°



360°

DIN/ISO

50.9 ft + 13.1 ft Main boom + adapter

Radius ft	Fly jib																		Radius ft
	78.7 ft			98.4 ft			118.1 ft			137.8 ft			157.5 ft			177.2 ft			
	83°	73°	65°	83°	73°	65°	83°	73°	65°	83°	73°	65°	83°	73°	65°	83°	73°	65°	
	1,000 lb																		
39	271.7	-	-	-	-	-	-	-	-	-	-	-	-	-	-	-	-	-	39
46	260.0	-	-	227.0	-	-	196.1	-	-	-	-	-	-	-	-	-	-	-	46
52	249.9	-	-	222.9	-	-	194.1	-	-	160.9	-	-	-	-	-	-	-	-	52
59	240.3	-	-	222.6	-	-	191.8	-	-	160.9	-	-	133.3	-	-	114.6	-	-	59
65	226.1	223.4	-	220.6	203.4	-	189.8	-	-	159.9	-	-	133.3	-	-	114.6	-	-	65
72	198.0	206.5	-	210.8	196.3	-	188.5	-	-	158.7	-	-	133.3	-	-	114.6	-	-	72
79	-	191.2	186.8	194.5	189.0	-	187.1	169.6	-	157.5	-	-	133.2	-	-	114.6	-	-	79
85	-	179.1	174.7	182.4	176.9	172.5	181.0	167.6	-	156.5	147.7	-	131.2	-	-	114.6	-	-	85
92	-	-	160.7	155.9	163.9	159.5	167.1	162.8	-	154.2	147.6	-	128.9	124.5	-	113.4	-	-	92
98	-	-	150.6	130.7	152.9	148.5	147.9	151.7	147.3	153.2	146.6	-	126.9	124.5	-	111.4	-	-	98
105	-	-	-	-	142.1	137.7	127.8	141.0	136.6	142.1	138.8	-	125.6	123.4	-	108.0	108.0	-	105
111	-	-	-	-	-	129.7	110.7	132.0	128.6	128.0	130.8	127.5	123.6	122.4	-	106.0	107.0	-	111
118	-	-	-	-	-	121.3	90.7	123.5	120.2	112.6	122.4	119.1	115.8	121.2	111.3	102.5	104.7	-	118
124	-	-	-	-	-	-	-	116.5	114.2	100.5	116.4	112.1	109.8	115.3	110.3	99.5	102.7	-	124
131	-	-	-	-	-	-	-	-	107.1	86.4	109.3	106.0	98.5	108.2	104.9	94.9	100.3	100.4	131
138	-	-	-	-	-	-	-	-	101.2	71.2	102.2	100.1	87.8	101.2	99.0	90.2	98.0	96.8	138
144	-	-	-	-	-	-	-	-	-	-	94.1	95.1	78.8	97.2	94.0	86.2	94.9	92.8	144
151	-	-	-	-	-	-	-	-	-	-	-	90.3	68.2	91.4	88.1	77.0	90.3	87.0	151
157	-	-	-	-	-	-	-	-	-	-	-	85.2	-	86.3	84.1	70.0	85.2	83.0	157
164	-	-	-	-	-	-	-	-	-	-	-	-	-	75.0	79.3	62.4	80.5	78.2	164
177	-	-	-	-	-	-	-	-	-	-	-	-	-	-	-	-	69.5	70.6	177
190	-	-	-	-	-	-	-	-	-	-	-	-	-	-	-	-	-	64.7	190
203	-	-	-	-	-	-	-	-	-	-	-	-	-	-	-	-	-	-	203

ft	196.9 ft		216.5 ft		236.2 ft		255.9 ft		275.6 ft		295.3 ft		315.0 ft		ft
	1,000 lb														
65	92.5	-	-	-	-	-	-	-	-	-	-	-	-	-	65
72	92.5	-	-	78.2	-	-	-	-	-	-	-	-	-	-	72
79	92.5	-	-	77.1	-	-	66.1	-	-	-	-	-	-	-	79
85	92.5	-	-	76.1	-	-	66.1	-	53.6	-	-	-	-	-	85
92	92.5	-	-	74.9	-	-	66.1	-	52.6	-	-	43.4	-	-	92
98	92.5	-	-	73.9	-	-	66.1	-	51.8	-	-	42.6	-	-	98
105	92.5	-	-	72.7	-	-	66.1	-	50.9	-	-	41.8	-	-	105
111	92.5	88.1	-	71.7	-	-	65.9	-	50.3	-	-	41.0	-	-	111
118	92.5	88.1	-	71.6	71.6	-	65.4	-	49.3	-	-	40.3	-	-	118
124	92.5	87.1	-	70.6	71.6	-	64.8	65.0	48.7	-	-	39.5	-	-	124
131	92.5	87.0	-	69.4	70.5	-	64.1	65.0	48.0	-	-	38.6	-	-	131
138	92.4	85.9	-	68.3	69.4	-	63.4	65.0	47.3	48.4	-	37.8	-	-	138
144	89.4	84.8	82.6	67.3	69.4	-	62.8	65.0	46.7	47.8	-	37.0	38.4	-	144
151	83.6	83.7	81.5	66.1	68.3	68.3	62.1	65.0	46.0	47.1	-	36.1	37.4	-	151
157	76.6	81.7	80.5	64.7	67.3	67.3	61.5	65.0	45.2	46.5	-	35.5	36.6	-	157
164	69.4	79.3	78.2	63.0	66.1	66.1	60.8	65.0	44.5	45.8	-	34.6	35.7	-	164
177	57.4	72.8	70.6	59.3	63.5	63.9	56.7	65.0	43.2	44.5	44.9	33.0	34.1	-	177
190	45.2	64.1	64.5	50.6	60.6	61.9	52.1	61.1	41.7	43.2	43.4	31.5	32.6	33.9	190
203	-	51.7	59.0	40.8	56.7	57.2	44.7	57.2	38.4	40.6	40.6	28.9	30.0	31.1	203
216	-	-	-	-	47.1	52.6	36.5	50.5	35.8	37.6	37.9	26.6	27.7	28.4	216
229	-	-	-	-	-	48.7	28.4	42.5	32.9	39.1	39.3	24.2	25.3	26.2	229
243	-	-	-	-	-	-	-	33.3	33.3	33.3	33.3	22.0	22.4	23.3	243
256	-	-	-	-	-	-	-	-	31.2	31.2	31.2	21.1	21.8	22.4	256
269	-	-	-	-	-	-	-	-	-	33.7	33.7	20.7	21.1	21.6	269
282	-	-	-	-	-	-	-	-	-	-	25.8	16.3	20.5	20.9	282
295	-	-	-	-	-	-	-	-	-	-	-	-	20.0	20.3	295
308	-	-	-	-	-	-	-	-	-	-	-	-	-	-	308
321	-	-	-	-	-	-	-	-	-	-	-	-	-	-	321
335	-	-	-	-	-	-	-	-	-	-	-	-	-	-	335

Remarks

Counterweight 132,300 lb 176,400 lb 220,500 lb 264,600 lb 308,700 lb 352,800 lb

Max. capacities with minimum counterweight

Further counterweight configurations on request



67.3 ft + 13.1 ft Main boom + adapter

Radius ft	Fly jib																		Radius ft
	78.7 ft			98.4 ft			118.1 ft			137.8 ft			157.5 ft			177.2 ft			
	83°	73°	65°	83°	73°	65°	83°	73°	65°	83°	73°	65°	83°	73°	65°	83°	73°	65°	
	1,000 lb																		
46	251.2	-	-	217.0	-	-	173.0	-	-	-	-	-	-	-	-	-	-	-	46
52	243.1	-	-	212.0	-	-	171.0	-	-	139.9	-	-	-	-	-	-	-	-	52
59	229.3	-	-	207.2	-	-	169.7	-	-	139.9	-	-	114.6	-	-	-	-	-	59
65	218.2	205.0	-	203.2	-	-	169.7	-	-	138.9	-	-	114.6	-	-	97.0	-	-	65
72	204.2	192.1	-	197.4	176.5	-	168.6	-	-	138.8	-	-	114.6	-	-	97.0	-	-	72
79	191.3	180.3	-	190.2	168.3	-	167.4	146.4	-	137.7	-	-	114.5	-	-	97.0	-	-	79
85	-	171.3	160.1	180.1	161.2	-	164.3	143.4	-	136.7	-	-	113.5	-	-	97.0	-	-	85
92	-	161.8	151.9	165.9	154.1	145.3	158.5	139.9	-	135.5	125.6	-	112.4	-	-	97.0	-	-	92
98	-	-	144.9	142.7	147.1	138.2	151.5	135.8	-	134.5	123.6	-	112.4	110.3	-	97.0	-	-	98
105	-	-	134.4	-	138.8	132.2	136.6	131.1	123.4	127.8	120.1	-	111.3	108.0	-	95.8	94.7	-	105
111	-	-	-	-	130.8	125.2	119.5	127.1	119.4	122.8	118.1	-	110.3	106.0	-	94.8	93.7	-	111
118	-	-	-	-	-	116.9	99.5	120.2	115.7	112.5	113.6	105.8	105.8	103.6	-	93.7	91.5	-	118
124	-	-	-	-	-	110.9	-	114.2	109.8	103.5	110.5	102.8	101.8	101.6	-	91.7	90.5	-	124
131	-	-	-	-	-	-	-	107.1	102.7	91.8	105.9	99.3	95.0	99.2	90.4	88.3	88.2	-	131
138	-	-	-	-	-	-	-	-	96.8	77.8	100.1	95.7	87.9	95.8	89.2	85.8	85.9	83.7	138
144	-	-	-	-	-	-	-	-	92.8	-	95.1	91.7	81.9	92.7	87.2	81.8	83.8	81.6	144
151	-	-	-	-	-	-	-	-	-	-	90.3	85.9	72.6	88.1	84.8	77.1	81.5	79.3	151
157	-	-	-	-	-	-	-	-	-	-	-	81.8	63.5	84.1	80.7	73.0	79.5	78.3	157
164	-	-	-	-	-	-	-	-	-	-	-	77.1	77.1	79.3	76.0	66.1	77.1	74.9	164
177	-	-	-	-	-	-	-	-	-	-	-	-	-	-	68.4	50.4	70.6	67.3	177
190	-	-	-	-	-	-	-	-	-	-	-	-	-	-	-	60.6	61.6	-	190

ft	196.9 ft		216.5 ft		236.2 ft		255.9 ft		275.6 ft		295.3 ft		315.0 ft		ft
	1,000 lb														
65	81.5	-	-	-	-	-	-	-	-	-	-	-	-	-	65
72	81.5	-	-	66.1	-	-	-	-	-	-	-	-	-	-	72
79	81.5	-	-	66.1	-	-	57.0	-	-	-	-	-	-	-	79
85	81.5	-	-	65.9	-	-	56.8	-	-	47.8	-	-	-	-	85
92	81.5	-	-	65.4	-	-	56.6	-	-	47.3	-	-	38.5	-	92
98	81.5	-	-	65.0	-	-	56.6	-	-	46.9	-	-	38.3	-	98
105	81.5	-	-	64.3	-	-	56.4	-	-	46.7	-	-	37.9	-	105
111	81.5	-	-	63.9	-	-	56.4	-	-	46.3	-	-	37.5	-	111
118	81.5	77.1	-	63.2	-	-	56.4	-	-	45.8	-	-	37.0	-	118
124	81.5	77.1	-	62.8	65.3	-	56.4	-	-	45.4	-	-	36.6	-	124
131	81.5	77.1	-	62.1	64.6	-	56.2	-	-	44.7	-	-	35.9	-	131
138	81.5	76.0	-	61.7	63.9	-	55.9	55.5	-	44.2	-	-	35.2	-	138
144	79.4	76.0	-	61.1	63.3	-	55.7	55.5	-	43.8	44.8	-	34.6	-	144
151	77.1	74.9	69.4	60.3	62.6	-	55.5	55.5	-	43.2	44.3	-	33.9	35.2	151
157	73.0	72.9	68.4	59.1	61.9	-	54.9	55.5	-	42.5	43.7	-	33.3	34.6	157
164	69.4	71.6	67.2	57.7	61.2	59.7	54.4	55.5	-	42.1	43.2	-	32.6	33.9	164
177	60.7	68.3	64.6	53.8	59.5	57.1	52.9	55.5	52.9	40.8	42.1	-	31.3	32.4	177
190	48.3	64.4	61.5	49.9	57.1	54.5	50.7	54.2	52.0	39.4	40.8	41.4	30.0	31.1	190
203	-	57.3	56.1	43.4	54.7	52.7	46.8	52.0	50.7	37.9	39.7	40.1	28.4	30.0	203
216	-	-	51.7	-	51.2	49.9	38.7	49.9	48.5	36.6	38.6	38.8	27.3	28.7	216
229	-	-	-	-	41.3	46.0	30.4	45.8	44.7	34.7	37.3	37.7	26.2	27.6	229
243	-	-	-	-	-	-	-	37.3	40.9	27.6	36.1	36.5	25.3	26.6	243
256	-	-	-	-	-	-	-	-	38.1	-	34.5	35.4	24.4	25.7	256
269	-	-	-	-	-	-	-	-	-	-	34.3	19.4	24.9	25.5	269
282	-	-	-	-	-	-	-	-	-	-	-	-	24.2	24.9	282
295	-	-	-	-	-	-	-	-	-	-	-	-	24.2	-	295
308	-	-	-	-	-	-	-	-	-	-	-	-	-	18.3	308
321	-	-	-	-	-	-	-	-	-	-	-	-	-	18.1	321
335	-	-	-	-	-	-	-	-	-	-	-	-	-	-	335

Remarks

Counterweight 132,300 lb 176,400 lb 220,500 lb 264,600 lb 308,700 lb 352,800 lb

Max. capacities with minimum counterweight

Further counterweight configurations on request



Lifting capacities luffing fly jib, main boom 83° to 65°



360°

DIN/ISO

83.7 ft + 13.1 ft Main boom + adapter

Radius ft		Fly jib																		Radius ft	
		78.7 ft			98.4 ft			118.1 ft			137.8 ft			157.5 ft			177.2 ft				
		83°	73°	65°	83°	73°	65°	83°	73°	65°	83°	73°	65°	83°	73°	65°	83°	73°	65°		
		1,000 lb																			
46	244.5	-	-	-	203.9	-	-	-	-	-	-	-	-	-	-	-	-	-	-	-	46
52	234.5	-	-	-	201.8	-	-	167.5	-	-	-	-	-	-	-	-	-	-	-	-	52
59	219.4	-	-	-	196.2	-	-	167.5	-	-	133.3	-	-	108.0	-	-	-	-	-	-	59
65	203.3	-	-	-	190.2	-	-	167.5	-	-	133.3	-	-	108.0	-	-	90.3	-	-	-	65
72	183.5	167.8	-	-	181.0	-	-	166.4	-	-	133.3	-	-	108.0	-	-	90.3	-	-	-	72
79	168.0	156.1	-	-	171.6	149.5	-	162.9	-	-	132.2	-	-	108.0	-	-	90.3	-	-	-	79
85	-	148.1	-	-	163.5	141.5	-	157.8	135.9	-	131.2	-	-	108.0	-	-	90.3	-	-	-	85
92	-	141.0	-	-	153.0	133.2	-	151.9	127.7	-	130.0	-	-	108.0	-	-	90.3	-	-	-	92
98	-	137.9	121.6	-	144.9	127.1	-	144.9	122.7	-	128.9	117.1	-	108.0	-	-	90.3	-	-	-	98
105	-	-	115.7	-	122.3	110.2	110.2	134.4	117.9	-	125.6	111.3	-	108.0	105.8	-	90.3	-	-	-	105
111	-	-	111.7	-	118.3	105.1	105.1	125.3	113.9	103.9	122.6	107.2	-	108.0	101.7	-	90.3	89.3	-	-	111
118	-	-	-	-	115.7	100.3	100.3	106.1	111.3	99.2	114.7	103.6	-	105.8	97.0	-	90.3	88.2	-	-	118
124	-	-	-	-	-	97.3	97.3	-	108.3	94.2	107.7	99.6	90.7	103.8	94.0	-	90.3	86.2	-	-	124
131	-	-	-	-	-	94.8	94.8	-	104.8	90.5	97.3	96.0	87.2	98.3	90.5	-	88.2	84.9	-	-	131
138	-	-	-	-	-	-	-	-	99.0	87.0	83.3	93.6	82.6	92.4	87.0	79.2	86.9	82.6	-	-	138
144	-	-	-	-	-	-	-	-	-	86.0	-	91.6	80.5	87.3	84.9	76.2	82.9	81.6	-	-	144
151	-	-	-	-	-	-	-	-	-	83.7	-	87.0	77.1	77.0	83.7	72.7	78.2	79.3	72.7	-	151
157	-	-	-	-	-	-	-	-	-	-	-	83.0	75.1	66.9	81.7	70.7	74.1	78.3	70.7	-	157
164	-	-	-	-	-	-	-	-	-	-	-	-	73.8	-	77.1	68.3	69.4	76.0	67.2	-	164
177	-	-	-	-	-	-	-	-	-	-	-	-	-	-	69.5	65.7	53.5	68.4	63.7	-	177
190	-	-	-	-	-	-	-	-	-	-	-	-	-	-	-	60.0	-	62.5	58.5	-	190
203	-	-	-	-	-	-	-	-	-	-	-	-	-	-	-	-	-	53.5	-	-	203
216	-	-	-	-	-	-	-	-	-	-	-	-	-	-	-	-	-	-	-	-	216

ft		1,000 lb																		ft				
		196.9 ft			216.5 ft			236.2 ft			255.9 ft			275.6 ft			295.3 ft				315.0 ft			
72	79.3	-	-	-	-	-	-	-	-	-	-	-	-	-	-	-	-	-	-	-	-	-	72	
79	79.3	-	-	61.7	-	-	-	-	-	-	-	-	-	-	-	-	-	-	-	-	-	-	79	
85	79.3	-	-	61.7	-	-	52.9	-	-	46.2	-	-	-	-	-	-	-	-	-	-	-	-	85	
92	79.3	-	-	61.7	-	-	52.9	-	-	46.2	-	-	37.4	-	-	-	-	-	-	-	-	-	92	
98	79.3	-	-	61.7	-	-	52.9	-	-	46.2	-	-	37.2	-	-	29.7	-	-	-	-	-	-	98	
105	79.3	-	-	61.7	-	-	52.9	-	-	46.2	-	-	37.2	-	-	29.3	-	-	22.9	-	-	-	105	
111	79.3	-	-	61.7	-	-	52.9	-	-	46.2	-	-	37.0	-	-	28.9	-	-	22.7	-	-	-	111	
118	79.3	-	-	61.5	-	-	52.9	-	-	46.2	-	-	36.8	-	-	28.4	-	-	22.2	-	-	-	118	
124	79.3	76.0	-	61.5	-	-	52.9	-	-	46.2	-	-	36.6	-	-	28.0	-	-	21.8	-	-	-	124	
131	79.3	74.9	-	61.2	65.0	-	52.9	-	-	45.8	-	-	36.5	-	-	27.5	-	-	21.4	-	-	-	131	
138	79.3	74.9	-	61.0	64.5	-	52.9	51.8	-	45.6	-	-	36.3	-	-	27.1	-	-	20.9	-	-	-	138	
144	78.3	74.9	-	61.0	64.3	-	52.9	51.8	-	45.2	-	-	35.7	-	-	26.7	-	-	20.5	-	-	-	144	
151	77.1	73.8	-	60.8	63.9	-	52.9	51.8	-	44.5	45.8	-	35.0	-	-	26.2	-	-	20.0	-	-	-	151	
157	74.1	72.8	63.7	60.2	63.5	-	52.9	51.8	-	44.1	45.4	-	34.4	36.2	-	25.8	-	-	19.8	-	-	-	157	
164	70.5	72.7	62.6	59.5	62.8	-	52.9	51.8	-	43.4	44.9	-	33.7	35.4	-	25.3	26.4	-	19.4	-	-	-	164	
177	63.1	68.4	60.4	56.6	61.7	56.7	52.0	51.8	-	42.3	43.8	-	32.4	33.9	-	24.4	25.5	-	18.5	19.6	-	-	177	
190	50.9	62.5	58.0	53.8	60.2	53.4	49.4	51.8	49.4	41.2	42.7	-	31.1	32.6	-	23.6	24.4	-	17.6	18.7	-	-	190	
203	-	57.2	53.5	45.2	55.4	50.5	46.8	50.9	47.8	40.1	41.7	42.1	30.0	31.5	33.1	22.7	23.6	-	16.7	17.8	-	-	203	
216	-	49.2	49.1	35.0	50.8	47.1	40.3	49.4	45.7	39.0	40.6	41.0	29.1	30.4	31.8	21.8	22.9	24.0	15.9	17.0	-	-	216	
229	-	-	45.3	-	45.2	43.4	32.1	45.6	42.0	36.0	39.3	39.9	28.0	29.3	30.4	20.9	22.0	22.9	15.2	16.1	17.2	-	229	
243	-	-	-	-	40.0	-	-	40.6	38.5	28.9	38.1	38.7	27.1	28.4	29.3	20.0	21.1	22.0	14.3	15.4	16.3	-	243	
256	-	-	-	-	-	-	-	35.6	21.7	36.9	35.9	26.1	27.3	28.2	19.3	20.4	21.1	13.6	14.7	15.4	-	-	256	
269	-	-	-	-	-	-	-	-	-	30.2	33.0	20.5	26.6	27.3	18.7	19.8	20.5	13.0	13.8	14.5	-	-	269	
282	-	-	-	-	-	-	-	-	-	-	30.6	-	25.8	26.4	18.0	18.9	19.6	12.3	13.2	13.8	-	-	282	
295	-	-	-	-	-	-	-	-	-	-	-	-	-	25.8	-	18.3	18.9	11.6	12.5	13.2	-	-	295	
308	-	-	-	-	-	-	-	-	-	-	-	-	-	-	-	17.6	18.3	11.2	11.9	12.5	-	-	308	
321	-	-	-	-	-	-	-	-	-	-	-	-	-	-	-	-	17.6	-	11.4	11.9	-	-	321	
334	-	-	-	-	-	-	-	-	-	-	-	-	-	-	-	-	-	-	-	11.2	-	-	334	
348	-	-	-	-	-	-	-	-	-	-	-	-	-	-	-	-	-	-	-	-	-	-	348	

Remarks

Counterweight 132,300 lb 176,400 lb 220,500 lb 264,600 lb 308,700 lb 352,800 lb

Max. capacities with minimum counterweight

Further counterweight configurations on request



100.0 ft + 13.1 ft Main boom + adapter

Radius ft	Fly jib																		Radius ft
	78.7 ft			98.4 ft			118.1 ft			137.8 ft			157.5 ft			177.2 ft			
	83°	73°	65°	83°	73°	65°	83°	73°	65°	83°	73°	65°	83°	73°	65°	83°	73°	65°	
	1,000 lb																		
52	206.1	-	-	177.4	-	-	136.6	-	-	-	-	-	-	-	-	-	-	-	52
59	191.9	-	-	173.1	-	-	136.6	-	-	110.2	-	-	-	-	-	-	-	-	59
65	180.8	-	-	168.0	-	-	136.6	-	-	110.2	-	-	88.1	-	-	-	-	-	65
72	170.0	-	-	160.0	-	-	135.6	-	-	110.2	-	-	88.1	-	-	73.8	-	-	72
79	161.8	136.3	-	150.6	-	-	133.2	-	-	110.1	-	-	88.1	-	-	73.8	-	-	79
85	156.7	128.2	-	143.6	124.8	-	130.2	-	-	109.1	-	-	88.1	-	-	73.8	-	-	85
92	-	121.1	-	136.5	117.8	-	126.6	107.9	-	108.0	-	-	88.1	-	-	73.8	-	-	92
98	-	116.1	-	131.5	113.8	-	122.6	102.8	-	108.0	-	-	88.1	-	-	73.8	-	-	98
105	-	112.4	99.2	130.0	109.1	-	117.9	96.9	-	106.9	93.6	-	88.1	-	-	73.8	-	-	105
111	-	-	95.1	-	105.0	92.9	112.8	92.9	-	105.9	89.6	-	88.1	85.1	-	73.8	-	-	111
118	-	-	91.5	-	101.4	88.2	107.0	90.4	-	101.4	86.0	-	88.1	81.6	-	73.8	73.8	-	118
124	-	-	-	-	98.4	85.2	93.9	87.3	77.6	97.4	83.0	-	88.1	78.6	-	73.8	71.8	-	124
131	-	-	-	-	-	81.6	-	86.0	73.9	92.7	79.4	71.8	84.9	75.0	-	73.8	69.5	-	131
138	-	-	-	-	-	79.2	-	85.9	70.5	87.7	77.1	67.1	81.4	72.6	-	73.7	68.2	-	138
144	-	-	-	-	-	-	-	85.9	69.5	74.6	76.1	65.5	78.4	70.6	62.9	71.7	66.2	-	144
151	-	-	-	-	-	-	-	-	67.2	-	73.8	62.8	75.9	68.3	59.9	69.4	65.4	-	151
157	-	-	-	-	-	-	-	-	66.2	-	72.8	61.1	70.9	67.3	57.7	67.4	64.2	56.6	157
164	-	-	-	-	-	-	-	-	-	-	72.7	59.3	59.3	66.1	55.3	65.0	62.8	54.2	164
177	-	-	-	-	-	-	-	-	-	-	-	58.2	-	65.2	52.2	56.3	60.6	50.3	177
190	-	-	-	-	-	-	-	-	-	-	-	-	-	-	50.5	-	58.9	47.4	190
203	-	-	-	-	-	-	-	-	-	-	-	-	-	-	-	-	55.8	45.4	203
216	-	-	-	-	-	-	-	-	-	-	-	-	-	-	-	-	-	44.3	216
229	-	-	-	-	-	-	-	-	-	-	-	-	-	-	-	-	-	-	229

ft	196.9 ft		216.5 ft		236.2 ft		255.9 ft		275.6 ft		295.3 ft		315.0 ft		ft
	1,000 lb														
72	66.1	-	-	-	-	-	-	-	-	-	-	-	-	-	72
79	66.1	-	-	51.3	-	-	-	-	-	-	-	-	-	-	79
85	66.1	-	-	51.3	-	44.5	-	-	-	-	-	-	-	-	85
92	66.1	-	-	51.3	-	44.5	-	38.8	-	-	-	-	-	-	92
98	66.1	-	-	51.3	-	44.5	-	38.8	-	31.3	-	-	-	-	98
105	66.1	-	-	51.3	-	44.5	-	38.8	-	31.3	-	25.5	-	-	105
111	66.1	-	-	51.3	-	44.5	-	38.8	-	31.0	-	25.1	-	19.6	111
118	66.1	-	-	51.3	-	44.5	-	38.8	-	31.0	-	24.9	-	19.4	118
124	66.1	-	-	51.1	-	44.5	-	38.8	-	31.0	-	24.7	-	19.0	124
131	66.1	61.5	-	51.1	-	44.5	-	38.5	-	31.0	-	24.4	-	18.7	131
138	66.1	61.0	-	51.1	56.6	44.5	-	38.5	-	30.8	-	24.0	-	18.2	138
144	65.9	60.2	-	50.9	55.6	44.5	43.4	38.3	-	30.6	-	23.8	-	18.0	144
151	65.8	59.5	-	50.9	54.6	44.5	43.4	38.1	-	30.4	-	23.5	-	17.6	151
157	64.2	58.9	-	50.7	53.6	44.5	43.2	37.9	37.9	30.2	-	23.1	-	17.4	157
164	62.6	57.9	50.2	50.7	52.6	44.5	43.2	37.7	37.7	29.9	30.2	22.9	-	16.9	164
177	59.3	56.2	47.8	49.1	50.7	46.5	44.3	42.9	37.0	37.2	29.3	29.5	22.2	23.3	177
190	52.8	54.2	45.6	47.6	48.9	43.5	43.2	40.1	36.6	36.8	28.6	28.8	21.6	22.7	190
203	-	52.3	43.5	46.1	47.4	40.4	41.9	42.3	38.2	35.9	36.1	34.4	28.0	28.4	203
216	-	49.9	41.7	36.7	46.1	38.4	40.6	41.4	36.2	35.3	35.5	32.9	27.3	27.8	216
229	-	-	39.9	-	44.6	37.3	33.2	40.6	34.6	34.6	34.8	31.3	26.7	27.3	229
243	-	-	-	-	36.1	-	39.6	33.4	29.8	33.9	30.1	26.0	26.8	24.2	243
256	-	-	-	-	35.0	-	35.2	32.3	22.8	33.0	29.0	25.1	26.4	23.1	256
269	-	-	-	-	-	-	-	31.0	-	31.9	28.2	21.3	26.0	22.0	269
282	-	-	-	-	-	-	-	-	-	-	27.3	-	25.5	21.1	282
295	-	-	-	-	-	-	-	-	-	-	24.0	20.3	13.9	17.6	295
308	-	-	-	-	-	-	-	-	-	-	-	19.6	-	17.2	308
321	-	-	-	-	-	-	-	-	-	-	-	-	-	15.2	321
334	-	-	-	-	-	-	-	-	-	-	-	-	-	-	334
348	-	-	-	-	-	-	-	-	-	-	-	-	-	-	348

Remarks

Counterweight 132,300 lb 176,400 lb 220,500 lb 264,600 lb 308,700 lb 352,800 lb

Max. capacities with minimum counterweight

Further counterweight configurations on request



Lifting capacities luffing fly jib, main boom 83° to 65°



360°

DIN/ISO

116.5 ft + 13.1 ft Main boom + adapter

Radius ft	Fly jib																		Radius ft
	78.7 ft			98.4 ft			118.1 ft			137.8 ft			157.5 ft			177.2 ft			
	83°	73°	65°	83°	73°	65°	83°	73°	65°	83°	73°	65°	83°	73°	65°	83°	73°	65°	
	1,000 lb																		
52	180.4	-	-	148.9	-	-	-	-	-	-	-	-	-	-	-	-	-	-	52
59	169.8	-	-	146.6	-	-	120.1	-	-	-	-	-	-	-	-	-	-	-	59
65	160.7	-	-	143.6	-	-	120.1	-	-	99.2	-	-	78.2	-	-	-	-	-	65
72	150.1	-	-	137.9	-	-	120.1	-	-	99.2	-	-	78.2	-	-	66.1	-	-	72
79	141.9	-	-	132.0	-	-	117.8	-	-	99.2	-	-	78.2	-	-	66.1	-	-	79
85	136.9	111.5	-	127.0	-	-	115.8	-	-	99.2	-	-	78.2	-	-	66.1	-	-	85
92	-	105.7	-	122.2	100.1	-	112.3	-	-	98.1	-	-	78.2	-	-	66.1	-	-	92
98	-	100.6	-	119.2	95.1	-	110.3	91.7	-	98.1	-	-	78.2	-	-	66.1	-	-	98
105	-	96.9	-	117.9	90.3	-	109.1	87.0	-	96.9	-	-	78.2	-	-	66.1	-	-	105
111	-	-	80.7	-	87.3	-	107.1	83.0	-	95.9	80.8	-	78.2	-	-	66.1	-	-	111
118	-	-	77.2	-	83.8	71.6	105.8	79.4	-	94.8	77.2	-	78.2	72.7	-	66.1	-	-	118
124	-	-	73.2	-	81.7	69.6	100.8	76.4	-	93.8	74.1	-	78.2	70.7	-	66.1	66.3	-	124
131	-	-	-	-	-	66.2	-	73.9	64.7	91.5	70.6	-	77.2	67.3	-	66.1	63.8	-	131
138	-	-	-	-	-	64.5	-	72.7	61.4	89.9	68.2	-	77.1	65.4	-	66.1	61.4	-	138
144	-	-	-	-	-	63.1	-	72.7	59.4	78.8	66.2	56.5	76.1	63.6	-	65.9	59.8	-	144
151	-	-	-	-	-	-	-	-	57.0	-	65.0	53.7	74.9	61.2	51.7	65.6	57.7	-	151
157	-	-	-	-	-	-	-	-	55.8	-	63.8	51.9	73.9	60.0	49.5	65.2	56.3	-	157
164	-	-	-	-	-	-	-	-	54.6	-	62.6	49.8	63.1	58.4	47.1	65.0	54.6	45.2	164
177	-	-	-	-	-	-	-	-	-	-	-	47.8	-	56.8	43.6	58.7	52.2	41.4	177
190	-	-	-	-	-	-	-	-	-	-	-	-	-	-	41.7	-	50.7	38.6	190
203	-	-	-	-	-	-	-	-	-	-	-	-	-	-	40.8	-	49.6	36.4	203
216	-	-	-	-	-	-	-	-	-	-	-	-	-	-	-	-	-	35.1	216
229	-	-	-	-	-	-	-	-	-	-	-	-	-	-	-	-	-	-	229

ft	196.9 ft		216.5 ft		236.2 ft		255.9 ft		275.6 ft		295.3 ft		315.0 ft		ft
	1,000 lb														
79	59.5	-	-	-	-	-	-	-	-	-	-	-	-	-	79
85	59.5	-	-	46.2	-	-	-	-	-	-	-	-	-	-	85
92	59.5	-	-	46.2	-	-	40.7	-	-	35.2	-	-	-	-	92
98	59.5	-	-	46.2	-	-	40.7	-	-	35.2	-	-	28.6	-	98
105	59.5	-	-	46.2	-	-	40.7	-	-	35.2	-	-	28.6	-	105
111	59.5	-	-	46.2	-	-	40.7	-	-	35.2	-	-	24.2	-	111
118	59.5	-	-	46.2	-	-	40.7	-	-	35.2	-	-	24.0	-	118
124	59.5	-	-	46.2	-	-	40.7	-	-	35.2	-	-	24.0	-	124
131	59.5	-	-	46.2	-	-	40.7	-	-	35.2	-	-	23.8	-	131
138	59.5	54.1	-	46.2	-	-	40.7	-	-	35.2	-	-	23.8	-	138
144	59.5	52.9	-	46.2	54.3	-	40.7	-	-	35.2	-	-	23.5	-	144
151	59.5	51.7	-	46.2	52.2	-	40.7	39.6	-	35.2	-	-	23.3	-	151
157	59.3	50.7	-	46.2	50.6	-	40.7	39.6	-	35.2	-	-	23.1	-	157
164	58.8	49.6	-	46.2	48.7	-	40.7	39.4	-	35.2	33.7	-	23.1	-	164
177	58.2	47.6	41.0	46.2	45.6	-	40.7	39.2	-	35.2	33.7	-	22.9	-	177
190	54.5	45.8	38.4	46.2	43.2	37.3	40.7	38.8	-	35.2	33.7	-	22.9	-	190
203	41.6	44.3	36.0	46.2	41.0	34.0	40.7	38.1	32.9	35.2	33.7	-	22.0	22.7	203
216	-	43.2	34.0	38.2	39.5	31.4	40.7	37.5	30.3	35.0	33.7	28.5	21.6	22.2	216
229	-	-	32.4	-	38.4	29.4	34.2	36.6	27.9	35.0	33.1	26.7	21.1	21.8	229
243	-	-	31.0	-	37.6	28.2	24.7	35.4	25.9	30.7	32.3	24.8	20.5	21.4	243
256	-	-	-	-	27.5	-	34.3	24.6	23.7	31.7	23.5	25.9	20.0	20.9	256
269	-	-	-	-	-	-	-	23.8	-	31.0	22.4	21.8	19.6	20.5	269
282	-	-	-	-	-	-	-	23.3	-	27.8	21.6	21.8	18.9	20.0	282
295	-	-	-	-	-	-	-	-	-	20.9	-	24.7	18.5	19.4	295
308	-	-	-	-	-	-	-	-	-	-	-	17.2	18.5	19.4	308
321	-	-	-	-	-	-	-	-	-	-	-	16.3	18.3	17.4	321
334	-	-	-	-	-	-	-	-	-	-	-	15.4	18.3	15.6	334
348	-	-	-	-	-	-	-	-	-	-	-	-	17.8	14.5	348
361	-	-	-	-	-	-	-	-	-	-	-	-	-	13.7	361

Remarks

Counterweight 132,300 lb 176,400 lb 220,500 lb 264,600 lb 308,700 lb 352,800 lb

Max. capacities with minimum counterweight

Further counterweight configurations on request

132.9 ft + 13.1 ft Main boom + adapter

Radius ft	Fly jib																		Radius ft
	78.7 ft			98.4 ft			118.1 ft			137.8 ft			157.5 ft			177.2 ft			
	83°	73°	65°	83°	73°	65°	83°	73°	65°	83°	73°	65°	83°	73°	65°	83°	73°	65°	
	1,000 lb																		
59	144.4	-	-	123.4	-	-	94.7	-	-	-	-	-	-	-	-	-	-	-	59
65	139.4	-	-	123.4	-	-	94.7	-	-	78.2	-	-	-	-	-	-	-	-	65
72	132.4	-	-	121.3	-	-	94.7	-	-	78.2	-	-	64.3	-	-	-	-	-	72
79	124.3	-	-	114.4	-	-	94.7	-	-	78.2	-	-	64.3	-	-	55.5	-	-	79
85	118.2	-	-	109.3	-	-	92.6	-	-	78.2	-	-	64.3	-	-	55.5	-	-	85
92	-	91.3	-	104.6	-	-	90.3	-	-	78.2	-	-	64.3	-	-	55.5	-	-	92
98	-	86.3	-	101.5	85.3	-	89.3	-	-	78.2	-	-	64.3	-	-	55.5	-	-	98
105	-	82.6	-	100.3	80.4	-	88.1	71.6	-	77.1	-	-	64.3	-	-	55.5	-	-	105
111	-	78.6	-	-	76.4	-	87.1	68.6	-	77.1	-	-	64.3	-	-	55.5	-	-	111
118	-	-	65.9	-	72.8	-	85.9	65.5	-	76.0	63.3	-	64.3	-	-	55.3	-	-	118
124	-	-	61.7	-	69.7	-	84.9	62.7	-	76.0	60.7	-	64.1	58.0	-	55.3	-	-	124
131	-	-	58.9	-	68.3	58.0	-	60.6	-	74.9	58.0	-	63.9	55.4	-	55.3	-	-	131
138	-	-	-	-	-	55.0	-	58.6	49.9	73.8	55.5	-	63.4	52.8	-	55.3	50.2	-	138
144	-	-	-	-	-	53.0	-	57.8	47.9	72.8	53.8	-	63.2	51.0	-	55.1	48.5	-	144
151	-	-	-	-	-	50.6	-	57.0	45.6	-	52.0	43.6	62.8	48.9	-	55.1	46.4	-	151
157	-	-	-	-	-	-	-	-	44.4	-	51.0	42.0	62.2	47.5	-	54.9	45.0	-	157
164	-	-	-	-	-	-	-	-	42.7	-	50.0	40.1	61.7	45.8	37.9	54.4	43.4	-	164
177	-	-	-	-	-	-	-	-	-	-	-	37.5	-	43.8	34.6	54.0	41.0	33.5	177
190	-	-	-	-	-	-	-	-	-	-	-	36.1	-	42.7	32.2	-	39.2	30.7	190
203	-	-	-	-	-	-	-	-	-	-	-	-	-	-	30.6	-	38.1	28.5	203
216	-	-	-	-	-	-	-	-	-	-	-	-	-	-	-	-	-	26.9	216
229	-	-	-	-	-	-	-	-	-	-	-	-	-	-	-	-	-	26.0	229
243	-	-	-	-	-	-	-	-	-	-	-	-	-	-	-	-	-	-	243

ft	196.9 ft			216.5 ft			236.2 ft			255.9 ft			275.6 ft			295.3 ft			315.0 ft			ft
	1,000 lb																					
79	48.2	-	-	-	-	-	-	-	-	-	-	-	-	-	-	-	-	-	-	-	79	
85	48.2	-	-	37.4	-	-	-	-	-	-	-	-	-	-	-	-	-	-	-	-	85	
92	48.2	-	-	37.4	-	-	31.5	-	-	-	-	-	-	-	-	-	-	-	-	-	92	
98	48.2	-	-	37.4	-	-	31.5	-	-	27.7	-	-	-	-	-	-	-	-	-	-	98	
105	48.2	-	-	37.4	-	-	31.5	-	-	27.7	-	-	22.0	-	-	-	-	-	-	-	105	
111	48.2	-	-	37.4	-	-	31.5	-	-	27.5	-	-	22.0	-	-	18.2	-	-	-	-	111	
118	48.2	-	-	37.4	-	-	31.5	-	-	27.5	-	-	22.0	-	-	18.2	-	-	13.8	-	118	
124	48.2	-	-	37.4	-	-	31.5	-	-	27.3	-	-	22.0	-	-	18.1	-	-	13.6	-	124	
131	48.2	-	-	37.4	-	-	31.5	-	-	27.3	-	-	22.0	-	-	18.0	-	-	13.4	-	131	
138	48.2	-	-	37.4	-	-	31.5	-	-	27.3	-	-	22.0	-	-	18.0	-	-	13.0	-	138	
144	48.2	43.2	-	37.4	-	-	31.5	-	-	27.3	-	-	22.0	-	-	17.8	-	-	12.7	-	144	
151	48.2	42.0	-	37.4	42.0	-	31.5	-	-	27.3	-	-	22.0	-	-	17.8	-	-	12.5	-	151	
157	48.2	41.0	-	37.4	40.8	-	31.5	-	-	27.3	-	-	22.0	-	-	17.8	-	-	12.3	-	157	
164	48.0	39.9	-	37.4	39.4	-	31.5	30.2	-	27.3	-	-	22.0	-	-	17.6	-	-	12.1	-	164	
177	47.6	37.9	-	37.4	37.0	-	31.5	29.7	-	27.3	27.5	-	22.0	20.9	-	17.6	-	-	11.6	-	177	
190	47.1	36.4	30.0	37.4	34.4	-	31.5	29.3	-	27.3	26.9	-	22.0	20.9	-	17.4	-	-	11.2	-	190	
203	43.3	35.0	27.8	37.4	32.6	26.9	31.5	28.8	-	27.1	26.4	-	22.0	20.9	-	17.2	17.1	-	10.8	11.6	203	
216	-	33.9	26.0	37.4	31.5	24.5	31.5	28.2	23.0	27.1	25.8	-	21.8	20.9	-	16.9	16.9	-	10.3	11.2	216	
229	-	33.1	24.5	-	30.4	22.3	31.5	27.3	21.0	27.1	25.1	18.5	21.6	20.9	17.0	16.7	16.7	-	10.1	10.8	229	
243	-	-	23.3	-	29.3	21.3	26.1	26.4	18.7	27.0	24.4	16.9	21.1	20.9	15.6	16.3	16.5	15.1	9.6	10.5	243	
256	-	-	-	-	-	20.4	-	25.7	18.0	24.4	23.8	15.8	20.9	20.5	14.5	16.0	16.0	13.8	9.4	10.1	256	
269	-	-	-	-	-	19.6	-	24.9	17.1	-	23.1	14.9	20.5	20.2	13.4	15.8	15.8	13.0	9.2	9.9	269	
282	-	-	-	-	-	-	-	-	16.5	-	22.2	14.1	16.1	20.0	12.3	15.6	15.4	11.9	9.0	9.4	282	
295	-	-	-	-	-	-	-	-	-	-	13.6	-	19.8	11.6	14.7	15.0	11.0	8.8	9.2	-	295	
308	-	-	-	-	-	-	-	-	-	-	13.4	-	19.4	11.0	-	14.5	10.3	8.6	9.0	-	308	
321	-	-	-	-	-	-	-	-	-	-	-	-	-	10.6	-	14.1	9.5	8.3	8.8	-	321	
334	-	-	-	-	-	-	-	-	-	-	-	-	-	-	-	-	9.0	-	8.6	-	334	
348	-	-	-	-	-	-	-	-	-	-	-	-	-	-	-	-	8.3	-	8.3	-	348	
361	-	-	-	-	-	-	-	-	-	-	-	-	-	-	-	-	-	-	-	-	361	

Remarks

Counterweight 132,300 lb 176,400 lb 220,500 lb 264,600 lb 308,700 lb 352,800 lb

Max. capacities with minimum counterweight

Further counterweight configurations on request



Lifting capacities luffing fly jib, main boom 83° to 65°



360°

DIN/ISO

149.3 ft + 13.1 ft Main boom + adapter

Radius ft	Fly jib																		Radius ft
	78.7 ft			98.4 ft			118.1 ft			137.8 ft			157.5 ft			177.2 ft			
	83°	73°	65°	83°	73°	65°	83°	73°	65°	83°	73°	65°	83°	73°	65°	83°	73°	65°	
	1,000 lb																		
65	113.7	-	-	99.2	-	-	79.3	-	-	-	-	-	-	-	-	-	-	-	65
72	109.2	-	-	99.2	-	-	79.3	-	-	66.1	-	-	57.3	-	-	-	-	-	72
79	103.4	-	-	95.7	-	-	79.3	-	-	66.1	-	-	57.3	-	-	50.7	-	-	79
85	98.3	-	-	91.6	-	-	79.3	-	-	66.1	-	-	57.3	-	-	50.7	-	-	85
92	93.6	-	-	88.1	-	-	77.1	-	-	66.1	-	-	57.3	-	-	50.7	-	-	92
98	-	-	-	86.1	-	-	77.1	-	-	66.1	-	-	57.3	-	-	50.7	-	-	98
105	-	71.6	-	84.8	67.2	-	76.0	-	-	66.1	-	-	57.0	-	-	50.7	-	-	105
111	-	67.6	-	82.8	64.2	-	75.0	60.8	-	66.1	-	-	57.0	-	-	50.7	-	-	111
118	-	65.2	-	-	61.1	-	74.9	57.5	-	66.1	-	-	56.8	-	-	50.7	-	-	118
124	-	-	-	-	58.6	-	73.9	54.9	-	66.1	52.7	-	56.6	-	-	50.5	-	-	124
131	-	-	49.2	-	56.7	-	73.8	52.5	-	65.7	50.1	-	56.4	47.9	-	50.4	-	-	131
138	-	-	46.4	-	54.8	44.9	-	50.4	-	65.4	47.5	-	56.2	45.3	-	50.4	-	-	138
144	-	-	-	-	-	43.3	-	49.2	-	65.0	45.9	-	55.8	43.5	-	50.2	42.2	-	144
151	-	-	-	-	-	41.4	-	48.0	38.3	64.8	43.8	-	55.5	41.4	-	50.2	40.1	-	151
157	-	-	-	-	-	40.2	-	47.6	36.9	-	42.8	-	55.1	39.8	-	50.0	38.6	-	157
164	-	-	-	-	-	-	-	-	35.2	-	41.4	33.7	54.8	38.1	-	49.8	36.8	-	164
177	-	-	-	-	-	-	-	-	33.5	-	39.9	31.3	-	35.7	28.7	49.1	34.2	-	177
190	-	-	-	-	-	-	-	-	-	-	-	29.3	-	34.2	26.2	45.9	32.2	25.6	190
203	-	-	-	-	-	-	-	-	-	-	-	-	-	-	24.3	-	30.6	23.4	203
216	-	-	-	-	-	-	-	-	-	-	-	-	-	-	22.9	-	30.0	21.8	216
229	-	-	-	-	-	-	-	-	-	-	-	-	-	-	-	-	-	20.5	229

ft	196.9 ft			216.5 ft			236.2 ft			255.9 ft			275.6 ft			295.3 ft			315.0 ft			ft
	1,000 lb																					
85	41.8	-	-	-	-	-	-	-	-	-	-	-	-	-	-	-	-	-	-	-	85	
92	41.8	-	-	32.4	-	-	-	-	-	-	-	-	-	-	-	-	-	-	-	-	92	
98	41.8	-	-	32.4	-	-	25.3	-	-	23.3	-	-	-	-	-	-	-	-	-	-	98	
105	41.8	-	-	32.4	-	-	25.3	-	-	23.1	-	-	-	-	-	-	-	-	-	-	105	
111	41.8	-	-	32.4	-	-	25.3	-	-	22.9	-	-	17.6	-	-	-	-	-	-	-	111	
118	41.8	-	-	32.4	-	-	25.3	-	-	22.7	-	-	17.6	-	-	14.3	-	-	10.8	-	118	
124	41.8	-	-	32.4	-	-	25.3	-	-	22.5	-	-	17.6	-	-	14.3	-	-	10.6	-	124	
131	41.8	-	-	32.4	-	-	25.3	-	-	22.4	-	-	17.6	-	-	14.3	-	-	10.1	-	131	
138	41.8	-	-	32.4	-	-	25.3	-	-	22.2	-	-	17.6	-	-	14.3	-	-	9.9	-	138	
144	41.8	-	-	32.4	-	-	25.3	-	-	22.0	-	-	17.6	-	-	14.3	-	-	9.7	-	144	
151	41.8	37.0	-	32.4	-	-	25.3	-	-	22.0	-	-	17.6	-	-	14.3	-	-	9.4	-	151	
157	41.8	36.0	-	32.4	-	-	25.3	-	-	22.0	-	-	17.6	-	-	14.3	-	-	9.2	-	157	
164	41.8	34.8	-	32.4	32.8	-	25.3	-	-	22.0	-	-	17.6	-	-	14.3	-	-	9.0	-	164	
177	41.8	32.8	-	32.4	30.4	-	25.3	23.8	-	22.0	24.9	-	17.6	-	-	14.3	-	-	8.6	-	177	
190	41.8	31.1	-	32.4	28.4	-	25.3	23.3	-	22.0	23.6	-	17.6	16.5	-	14.3	-	-	8.3	-	190	
203	41.8	29.5	22.7	32.4	26.7	-	25.3	22.7	-	22.0	22.3	-	17.6	16.5	-	14.3	13.2	-	8.1	8.8	203	
216	-	28.2	20.8	32.4	25.1	19.0	25.3	22.0	17.5	22.0	20.9	-	17.6	16.5	-	14.3	13.2	-	7.9	8.6	216	
229	-	27.3	19.2	29.0	23.8	17.0	25.3	21.4	15.3	22.0	19.8	11.9	17.6	16.5	-	14.3	13.2	-	7.7	8.3	229	
243	-	-	18.0	-	22.9	15.6	25.3	20.7	13.4	22.0	18.7	10.5	17.6	16.5	11.2	14.3	13.2	-	7.7	8.1	243	
256	-	-	16.9	-	22.2	14.5	-	19.8	12.1	22.0	17.8	9.4	17.6	16.0	9.9	14.3	13.0	10.5	7.4	7.9	256	
269	-	-	-	-	-	13.6	-	18.7	11.0	17.2	16.9	8.6	17.6	15.4	8.6	14.3	12.7	9.0	7.4	7.7	269	
282	-	-	-	-	-	-	-	10.3	-	16.3	8.1	16.7	14.9	7.7	14.3	12.5	7.9	7.2	7.4	-	282	
295	-	-	-	-	-	-	-	9.9	-	15.6	7.5	-	14.3	7.0	14.3	12.3	6.8	7.2	7.4	-	295	
308	-	-	-	-	-	-	-	-	-	-	7.2	-	13.6	6.4	9.4	12.1	5.9	7.0	7.2	-	308	
321	-	-	-	-	-	-	-	-	-	-	-	-	-	6.1	-	11.9	5.3	6.6	7.0	-	321	
334	-	-	-	-	-	-	-	-	-	-	-	-	-	6.1	-	-	4.8	-	6.8	-	334	
348	-	-	-	-	-	-	-	-	-	-	-	-	-	-	-	-	4.4	-	6.6	-	348	

Remarks

Counterweight 132,300 lb 176,400 lb 220,500 lb 264,600 lb 308,700 lb 352,800 lb

Max. capacities with minimum counterweight

Further counterweight configurations on request



165.7 ft + 13.1 ft Main boom + adapter

		Fly jib																		
		78.7 ft			98.4 ft			118.1 ft			137.8 ft			157.5 ft			177.2 ft			
Radius		83°	73°	65°	83°	73°	65°	83°	73°	65°	83°	73°	65°	83°	73°	65°	83°	73°	65°	Radius
ft		1,000 lb																		ft
65	83.7	-	-	-	71.8	-	-	58.6	-	-	-	-	-	-	-	-	-	-	-	65
72	82.7	-	-	-	69.5	-	-	58.6	-	-	48.7	-	-	-	-	-	-	-	-	72
79	80.4	-	-	-	68.3	-	-	58.6	-	-	48.7	-	-	44.5	-	-	-	-	-	79
85	79.4	-	-	-	68.3	-	-	58.6	-	-	48.7	-	-	44.5	-	-	37.6	-	-	85
92	77.1	-	-	-	68.3	-	-	58.1	-	-	48.7	-	-	44.5	-	-	37.6	-	-	92
98	-	-	-	-	68.3	-	-	57.7	-	-	48.7	-	-	44.5	-	-	37.6	-	-	98
105	-	59.2	-	-	67.2	-	-	57.5	-	-	48.7	-	-	44.3	-	-	37.6	-	-	105
111	-	56.4	-	-	66.2	54.4	-	57.1	-	-	48.7	-	-	44.1	-	-	37.6	-	-	111
118	-	53.8	-	-	-	51.8	-	56.8	-	-	48.7	-	-	43.6	-	-	37.4	-	-	118
124	-	51.8	-	-	-	49.6	-	56.7	43.6	-	48.7	-	-	43.2	-	-	37.4	-	-	124
131	-	-	-	-	-	47.4	-	56.4	41.7	-	48.7	39.5	-	42.9	-	-	37.4	-	-	131
138	-	-	-	-	-	45.3	-	-	39.8	-	48.4	37.4	-	42.5	35.4	-	37.4	-	-	138
144	-	-	-	-	-	44.1	37.6	-	38.6	-	48.2	36.0	-	42.1	33.8	-	37.4	-	-	144
151	-	-	-	-	-	-	35.2	-	37.2	-	48.2	34.3	-	41.8	31.9	-	37.4	30.6	-	151
157	-	-	-	-	-	-	33.8	-	36.6	29.6	-	33.3	-	41.4	30.7	-	37.2	29.4	-	157
164	-	-	-	-	-	-	31.9	-	35.9	28.2	-	31.9	-	41.2	29.1	-	37.0	28.0	-	164
177	-	-	-	-	-	-	-	-	-	26.2	-	30.6	24.2	-	27.1	-	36.6	25.8	-	177
190	-	-	-	-	-	-	-	-	-	-	-	-	22.5	-	25.6	20.1	36.3	24.0	-	190
203	-	-	-	-	-	-	-	-	-	-	-	-	21.2	-	24.7	18.3	-	22.7	17.4	203
216	-	-	-	-	-	-	-	-	-	-	-	-	-	-	17.0	-	21.8	15.9	-	216
229	-	-	-	-	-	-	-	-	-	-	-	-	-	-	-	-	-	14.6	-	229
243	-	-	-	-	-	-	-	-	-	-	-	-	-	-	-	-	-	13.8	-	243
256	-	-	-	-	-	-	-	-	-	-	-	-	-	-	-	-	-	-	-	256

		196.9 ft			216.5 ft			236.2 ft			255.9 ft			275.6 ft			295.3 ft			
ft		1,000 lb																		ft
85	29.7	-	-	-	-	-	-	-	-	-	-	-	-	-	-	-	-	-	-	85
92	29.7	-	-	-	22.7	-	-	-	-	-	-	-	-	-	-	-	-	-	-	92
98	29.7	-	-	-	22.7	-	-	17.1	-	-	-	-	-	-	-	-	-	-	-	98
105	29.7	-	-	-	22.7	-	-	17.1	-	-	14.5	-	-	-	-	-	-	-	-	105
111	29.7	-	-	-	22.7	-	-	17.1	-	-	14.3	-	-	10.5	-	-	-	-	-	111
118	29.7	-	-	-	22.7	-	-	17.1	-	-	14.3	-	-	10.5	-	-	-	-	-	118
124	29.7	-	-	-	22.7	-	-	17.1	-	-	14.3	-	-	10.5	-	-	-	-	-	124
131	29.7	-	-	-	22.7	-	-	17.1	-	-	14.1	-	-	10.5	-	-	-	-	-	131
138	29.7	-	-	-	22.7	-	-	17.1	-	-	14.1	-	-	10.5	-	-	-	-	-	138
144	29.7	-	-	-	22.7	-	-	17.1	-	-	13.9	-	-	10.5	-	-	-	-	-	144
151	29.7	-	-	-	22.7	-	-	17.1	-	-	13.8	-	-	10.5	-	-	-	-	-	151
157	29.7	26.7	-	-	22.7	-	-	17.1	-	-	13.8	-	-	10.5	-	-	-	-	-	157
164	29.7	25.8	-	-	22.7	-	-	17.1	-	-	13.8	-	-	10.5	-	-	-	-	-	164
177	29.7	24.0	-	-	22.7	21.6	-	17.1	16.5	-	13.8	-	-	10.5	-	-	-	-	-	177
190	29.7	22.3	-	-	22.7	19.8	-	17.1	15.8	-	13.8	-	-	10.5	-	-	-	-	-	190
203	29.7	20.9	16.3	-	22.7	18.3	-	17.1	15.4	-	13.8	-	-	10.5	-	-	-	-	-	203
216	-	20.0	14.8	-	22.7	17.0	-	17.1	14.7	-	13.8	-	-	10.5	-	-	-	-	-	216
229	-	19.2	13.5	-	22.7	16.1	-	17.1	14.1	-	13.8	-	-	10.5	-	-	-	-	-	229
243	-	18.5	12.3	-	-	15.2	-	17.1	13.6	-	13.8	-	-	10.5	-	-	-	-	-	243
256	-	-	11.6	-	-	14.5	-	-	13.0	-	13.8	-	-	10.5	-	-	-	-	-	256
269	-	-	-	-	-	-	-	-	12.5	-	13.8	-	-	10.5	-	-	-	-	-	269
282	-	-	-	-	-	-	-	-	11.9	-	-	-	-	10.5	-	-	-	-	-	282
295	-	-	-	-	-	-	-	-	-	-	-	-	-	-	-	-	-	-	-	295

Remarks

Counterweight 132,300 lb 176,400 lb 220,500 lb 264,600 lb 308,700 lb 352,800 lb

Max. capacities with minimum counterweight

Further counterweight configurations on request



Lifting capacities luffing fly jib, main boom 83° to 65°



360°

DIN/ISO

182.1 ft + 13.1 ft Main boom + adapter

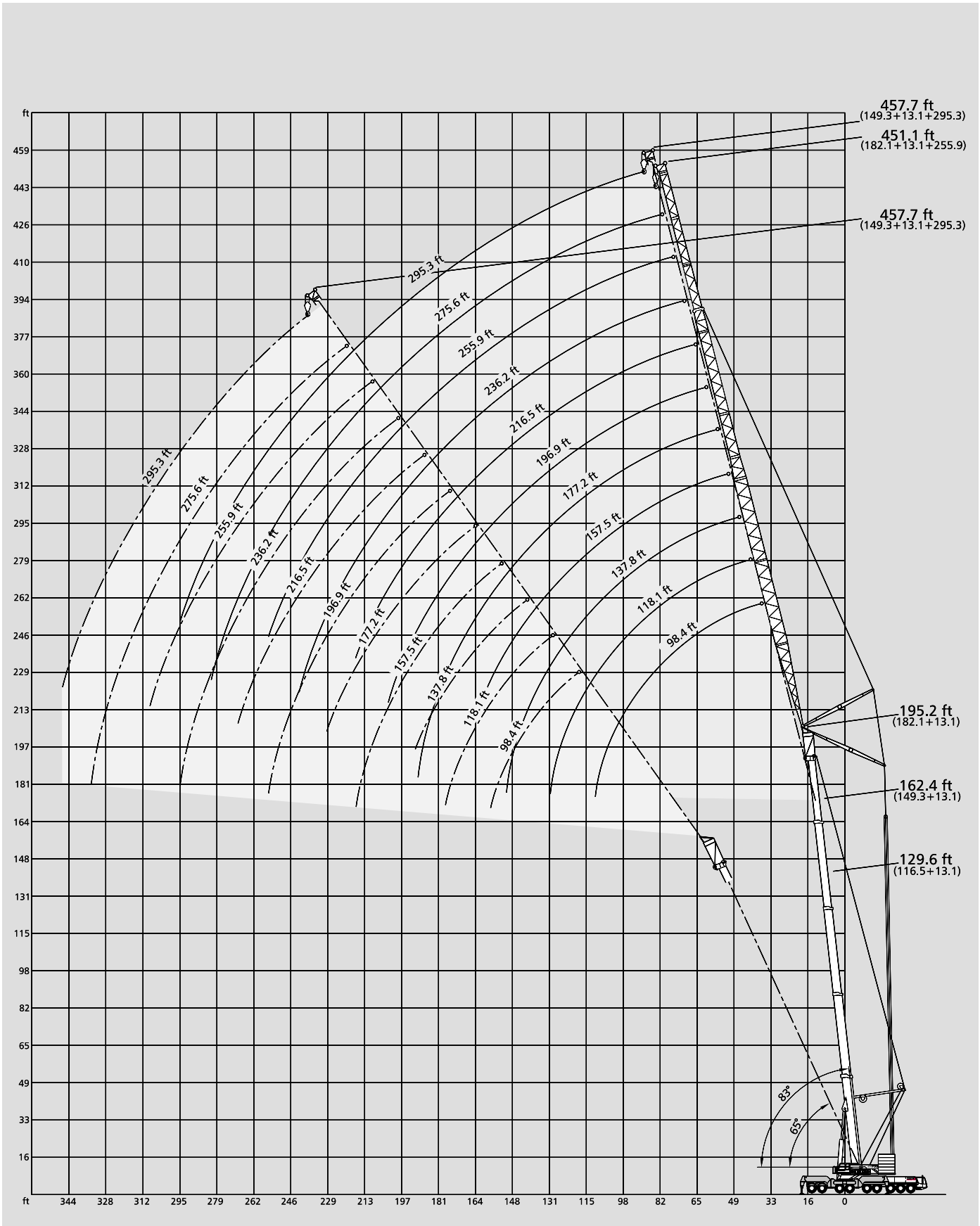
Radius ft	Fly jib																		Radius ft
	78.7 ft			98.4 ft			118.1 ft			137.8 ft			157.5 ft			177.2 ft			
	83°	73°	65°	83°	73°	65°	83°	73°	65°	83°	73°	65°	83°	73°	65°	83°	73°	65°	
	1,000 lb																		
72	68.3	-	-	56.2	-	-	44.0	-	-	-	-	-	-	-	-	-	-	-	72
79	66.0	-	-	56.1	-	-	44.0	-	-	36.5	-	-	-	-	-	-	-	-	79
85	65.0	-	-	55.5	-	-	44.0	-	-	36.5	-	-	36.3	-	-	-	-	-	85
92	63.4	-	-	54.4	-	-	44.0	-	-	36.5	-	-	36.3	-	-	28.4	-	-	92
98	-	-	-	53.6	-	-	44.0	-	-	36.5	-	-	36.3	-	-	28.4	-	-	98
105	-	-	-	52.6	-	-	44.0	-	-	36.5	-	-	36.1	-	-	28.4	-	-	105
111	-	-	-	51.8	-	-	44.0	-	-	36.5	-	-	35.9	-	-	28.4	-	-	111
118	-	44.7	-	-	40.3	-	44.0	-	-	36.5	-	-	35.2	-	-	28.4	-	-	118
124	-	42.7	-	-	38.5	-	44.0	-	-	36.5	-	-	34.6	-	-	28.4	-	-	124
131	-	-	-	-	36.8	-	44.0	34.2	-	36.5	-	-	34.1	-	-	28.4	-	-	131
138	-	-	-	-	35.2	-	-	32.5	-	36.5	30.3	-	33.4	-	-	28.4	-	-	138
144	-	-	-	-	34.2	-	-	31.5	-	36.5	29.1	-	33.0	-	-	28.4	-	-	144
151	-	-	-	-	-	-	-	30.4	-	36.5	27.7	-	32.6	25.1	-	28.4	-	-	151
157	-	-	-	-	-	26.9	-	29.7	-	-	26.7	-	32.2	24.1	-	28.4	22.5	-	157
164	-	-	-	-	-	25.5	-	28.8	-	-	25.8	-	31.9	22.7	-	28.2	21.3	-	164
177	-	-	-	-	-	-	-	-	21.6	-	24.2	-	-	20.9	-	27.9	19.4	-	177
190	-	-	-	-	-	-	-	-	20.0	-	-	17.6	-	19.4	-	27.7	17.8	-	190
203	-	-	-	-	-	-	-	-	-	-	-	16.3	-	18.5	13.6	-	16.7	12.6	203
216	-	-	-	-	-	-	-	-	-	-	-	-	-	12.6	-	15.9	11.2	-	216
229	-	-	-	-	-	-	-	-	-	-	-	-	-	11.7	-	-	10.1	-	229
243	-	-	-	-	-	-	-	-	-	-	-	-	-	-	-	-	9.2	-	243

ft	196.9 ft			216.5 ft			236.2 ft			255.9 ft			275.6 ft			295.3 ft			ft
	1,000 lb																		
92	20.9	-	-	-	-	-	-	-	-	-	-	-	-	-	-	-	-	-	92
98	20.9	-	-	15.4	-	-	-	-	-	-	-	-	-	-	-	-	-	-	98
105	20.9	-	-	14.4	-	-	11.0	-	-	-	-	-	-	-	-	-	-	-	105
111	20.9	-	-	15.4	-	-	11.0	-	-	7.2	-	-	-	-	-	-	-	-	111
118	20.9	-	-	15.4	-	-	11.0	-	-	7.2	-	-	4.4	-	-	-	-	-	118
124	20.9	-	-	15.4	-	-	11.0	-	-	7.2	-	-	4.4	-	-	-	-	-	124
131	20.9	-	-	15.4	-	-	11.0	-	-	7.2	-	-	4.4	-	-	-	-	-	131
138	20.9	-	-	15.4	-	-	11.0	-	-	7.2	-	-	4.4	-	-	-	-	-	138
144	20.9	-	-	15.4	-	-	11.0	-	-	7.2	-	-	4.4	-	-	-	-	-	144
151	20.9	-	-	15.4	-	-	11.0	-	-	7.2	-	-	4.4	-	-	-	-	-	151
157	20.9	-	-	15.4	-	-	11.0	-	-	7.2	-	-	4.4	-	-	-	-	-	157
164	20.9	19.4	-	15.4	-	-	11.0	-	-	7.2	-	-	4.4	-	-	-	-	-	164
177	20.9	17.6	-	15.4	13.6	-	11.0	-	-	7.2	-	-	4.4	-	-	-	-	-	177
190	20.9	16.3	-	15.4	12.3	-	11.0	10.3	-	7.2	-	-	4.4	-	-	-	-	-	190
203	20.9	15.0	-	15.4	11.2	-	11.0	9.5	-	7.2	-	-	4.4	-	-	-	-	-	203
216	-	13.9	10.1	15.4	10.1	-	11.0	8.8	-	7.2	-	-	4.4	-	-	-	-	-	216
229	-	13.2	8.8	15.4	9.0	-	11.0	8.3	-	7.2	-	-	4.4	-	-	-	-	-	229
243	-	12.5	7.9	-	8.1	-	11.0	7.7	-	7.2	-	-	4.4	-	-	-	-	-	243
256	-	-	7.2	-	7.4	-	-	7.2	-	7.2	-	-	4.4	-	-	-	-	-	256
269	-	-	6.6	-	-	-	-	6.8	-	7.2	-	-	4.4	-	-	-	-	-	269
282	-	-	-	-	-	-	-	6.6	-	-	-	-	4.4	-	-	-	-	-	282

Remarks

Counterweight	132,300 lb	176,400 lb	220,500 lb	264,600 lb	308,700 lb	352,800 lb
Max. capacities with minimum counterweight						
Further counterweight configurations on request						

Working ranges luffing fly jib with SSL, main boom 83° to 65°



Lifting capacities luffing fly jib with SSL, main boom 83°-65°



360°

DIN/ISO

116.5 ft + 13.1 ft Main boom + adapter

Radius ft	Fly jib																		Radius ft	
	98.4 ft			118.1 ft			137.8 ft			157.5 ft			177.2 ft			196.9 ft				
	83°**	73°*	65°*	83°**	73°*	65°*	83°**	73°*	65°*	83°**	73°*	65°*	83°**	73°*	65°*	83°**	73°*	65°*		
	1,000 lb																			
52	-	-	-	-	-	-	-	-	-	-	-	-	-	-	-	-	-	-	52	
59	202.8	-	-	-	-	-	-	-	-	-	-	-	-	-	-	-	-	-	59	
65	194.8	-	-	174.1	-	-	146.6	-	-	-	-	-	-	-	-	-	-	-	65	
72	182.2	-	-	170.9	-	-	146.6	-	-	129.0	-	-	-	-	-	-	-	-	72	
79	171.5	-	-	163.9	-	-	146.5	-	-	126.5	-	-	107.9	-	-	-	-	-	79	
85	161.4	-	-	156.9	-	-	144.5	-	-	123.5	-	-	105.9	-	-	-	89.2	-	85	
92	151.9	136.5	-	148.6	-	-	139.8	-	-	121.1	-	-	103.5	-	-	-	88.1	-	92	
98	143.8	132.5	-	140.5	114.7	-	134.8	-	-	118.1	-	-	101.5	-	-	-	86.1	-	98	
105	133.3	126.7	-	133.3	112.4	-	128.9	99.2	-	115.7	-	-	100.3	-	-	-	84.8	-	105	
111	-	120.7	-	126.3	109.4	-	123.9	98.1	-	112.7	-	-	98.2	-	-	-	83.8	-	111	
118	-	113.6	104.8	118.0	105.8	-	118.0	98.1	-	109.1	78.2	-	95.9	-	-	-	82.6	-	118	
124	-	106.6	98.7	102.1	102.8	-	113.0	97.1	-	107.1	78.2	-	93.9	66.1	-	-	81.6	-	124	
131	-	-	92.7	-	97.1	91.6	106.0	95.9	-	102.6	78.2	-	92.6	66.1	-	-	79.4	59.5	131	
138	-	-	88.0	-	92.4	85.8	93.2	91.3	83.6	99.0	78.2	-	90.2	66.1	-	-	78.2	59.5	138	
144	-	-	84.0	-	87.3	81.8	80.1	87.3	79.6	94.0	77.2	-	87.2	66.1	-	-	77.2	59.5	144	
151	-	-	-	-	-	77.1	-	82.6	74.9	83.6	76.0	72.7	84.8	66.1	-	-	76.0	59.5	151	
157	-	-	-	-	-	74.1	-	78.5	71.8	74.5	74.0	69.6	80.7	65.5	-	-	74.0	59.5	157	
164	-	-	-	-	-	70.5	-	74.9	68.3	63.5	70.5	66.1	71.7	65.0	64.3	-	71.6	59.5	164	
177	-	-	-	-	-	-	-	-	62.6	-	65.9	60.2	56.8	61.5	58.5	-	67.2	58.6	58.4	177
190	-	-	-	-	-	-	-	-	-	-	-	55.2	-	57.8	53.2	-	55.1	55.8	53.2	190
203	-	-	-	-	-	-	-	-	-	-	-	50.4	-	54.3	48.8	-	42.0	52.7	48.8	203
216	-	-	-	-	-	-	-	-	-	-	-	-	-	44.9	-	-	49.9	44.7	-	216
229	-	-	-	-	-	-	-	-	-	-	-	-	-	-	-	-	-	40.9	-	229
243	-	-	-	-	-	-	-	-	-	-	-	-	-	-	-	-	-	37.6	-	243
256	-	-	-	-	-	-	-	-	-	-	-	-	-	-	-	-	-	-	-	256

ft	216.5 ft			236.2 ft			255.9 ft			275.6 ft			295.3 ft			315.0 ft			ft
	1,000 lb																		
92	70.5	-	-	61.2	-	-	-	-	-	-	-	-	-	-	-	-	-	-	92
98	69.5	-	-	60.2	-	-	50.3	-	-	-	-	-	-	-	-	-	-	-	98
105	68.3	-	-	59.3	-	-	49.3	-	-	39.6	-	-	-	-	-	-	-	-	105
111	67.3	-	-	58.2	-	-	48.5	-	-	39.0	-	-	31.1	-	-	-	-	-	111
118	66.1	-	-	57.3	-	-	47.6	-	-	38.1	-	-	30.4	-	-	24.6	-	-	118
124	65.9	-	-	56.3	-	-	46.8	-	-	37.5	-	-	30.0	-	-	24.2	-	-	124
131	65.2	-	-	55.5	-	-	45.8	-	-	36.6	-	-	29.3	-	-	23.8	-	-	131
138	64.3	46.2	-	54.6	-	-	44.7	-	-	35.9	-	-	28.8	-	-	23.1	-	-	138
144	63.7	46.2	-	54.0	-	-	44.3	-	-	35.1	-	-	28.2	-	-	22.7	-	-	144
151	62.8	46.2	-	53.5	40.7	-	43.6	-	-	34.3	-	-	27.5	-	-	22.2	-	-	151
157	62.2	46.2	-	52.9	40.7	-	43.2	35.2	-	33.7	-	-	27.1	-	-	21.6	-	-	157
164	61.5	46.2	-	52.2	40.7	-	42.5	35.2	-	33.0	-	-	26.4	-	-	21.1	-	-	164
177	59.5	46.2	-	50.9	40.7	-	41.6	35.2	-	31.9	28.6	-	25.3	23.1	-	20.2	-	-	177
190	57.8	46.0	46.2	49.4	40.7	-	40.3	35.2	-	30.6	28.6	-	24.2	22.9	-	19.2	-	-	190
203	48.7	45.0	46.2	47.6	40.5	40.7	39.0	35.2	-	29.5	28.6	-	22.9	22.7	-	18.3	-	-	203
216	38.7	44.1	42.4	42.9	39.7	40.3	37.7	35.0	35.2	28.4	28.6	28.6	22.0	22.4	-	17.4	-	-	216
229	-	43.2	38.7	34.8	38.8	36.7	36.2	34.6	35.2	27.3	28.4	28.0	21.2	22.2	23.1	16.5	-	-	229
243	-	40.5	35.2	25.2	37.8	33.2	31.1	33.9	33.6	26.0	27.7	27.3	20.2	22.0	22.4	15.8	-	-	243
256	-	-	32.3	-	35.9	30.4	24.2	33.2	30.6	25.3	26.8	26.6	19.3	21.3	21.8	15.2	-	-	256
269	-	-	-	-	-	27.7	-	32.6	28.0	22.4	26.2	26.2	18.7	20.9	21.1	14.5	-	-	269
282	-	-	-	-	-	-	-	28.4	25.8	16.1	25.3	25.3	18.0	20.2	20.7	13.8	-	-	282
295	-	-	-	-	-	-	-	-	23.8	-	24.7	23.1	15.0	19.8	20.2	13.4	-	-	295
308	-	-	-	-	-	-	-	-	-	-	-	21.4	-	19.2	19.8	13.0	-	-	308
321	-	-	-	-	-	-	-	-	-	-	-	-	-	18.7	19.4	8.7	-	-	321
334	-	-	-	-	-	-	-	-	-	-	-	-	-	-	18.3	-	-	-	334

Remarks

* SSL 0°

** SSL 60°

Counterweight 132,300 lb 176,400 lb 220,500 lb 264,600 lb 308,700 lb 352,800 lb

Max. capacities with minimum counterweight

Further counterweight configurations on request

149.3 ft + 13.1 ft Main boom + adapter

Radius ft	Fly jib																		Radius ft
	98.4 ft			118.1 ft			137.8 ft			157.5 ft			177.2 ft			196.9 ft			
	83°**	73°*	65°*	83°**	73°*	65°*	83°**	73°*	65°*	83°**	73°*	65°*	83°**	73°*	65°*	83°**	73°*	65°*	
	1,000 lb																		
52	-	-	-	-	-	-	-	-	-	-	-	-	-	-	-	-	-	-	52
59	-	-	-	-	-	-	-	-	-	-	-	-	-	-	-	-	-	-	59
65	146.6	-	-	-	-	-	-	-	-	-	-	-	-	-	-	-	-	-	65
72	139.0	-	-	132.4	-	-	-	-	-	-	-	-	-	-	-	-	-	-	72
79	130.8	-	-	124.3	-	-	118.7	-	-	-	-	-	-	-	-	-	-	-	79
85	123.7	-	-	118.2	-	-	112.7	-	-	104.9	-	-	93.8	-	-	-	-	-	85
92	116.7	-	-	112.3	-	-	106.8	-	-	100.2	-	-	90.3	-	-	76.0	-	-	92
98	110.6	98.3	-	107.2	-	-	102.8	-	-	96.1	-	-	87.2	-	-	75.0	-	-	98
105	103.6	94.7	-	101.4	-	-	98.0	-	-	91.4	-	-	84.8	-	-	73.8	-	-	105
111	97.5	91.7	-	96.3	78.2	-	94.0	-	-	88.4	-	-	81.8	-	-	72.8	-	-	111
118	-	88.2	-	90.4	77.1	-	89.3	65.9	-	84.9	-	-	79.4	-	-	71.6	-	-	118
124	-	84.2	-	85.4	76.1	-	85.3	65.7	-	81.9	57.3	-	76.4	-	-	70.6	-	-	124
131	-	79.5	76.1	79.5	73.9	-	80.6	65.2	-	78.3	57.3	-	73.9	-	-	68.4	-	-	131
138	-	74.8	73.7	-	71.5	-	76.9	64.9	-	74.8	57.3	-	71.5	50.7	-	67.1	-	-	138
144	-	-	70.7	-	68.5	69.5	71.9	63.7	-	71.8	57.3	-	68.5	50.7	-	65.7	39.9	-	144
151	-	-	67.2	-	65.2	67.2	67.1	62.3	-	68.3	57.3	-	66.1	50.7	-	63.9	39.9	-	151
157	-	-	64.9	-	62.1	64.7	-	60.1	62.9	65.0	56.5	-	63.8	50.7	-	62.0	39.9	-	157
164	-	-	-	-	-	61.9	-	57.3	60.6	61.3	55.3	-	61.0	50.7	-	59.9	39.9	-	164
177	-	-	-	-	-	56.2	-	52.5	56.0	-	50.7	53.1	55.6	49.1	50.5	55.1	39.9	-	177
190	-	-	-	-	-	-	-	51.2	-	45.9	48.3	43.9	45.7	47.4	50.5	39.2	39.9	-	190
203	-	-	-	-	-	-	-	-	-	-	44.4	-	42.2	44.4	45.5	37.5	39.4	-	203
216	-	-	-	-	-	-	-	-	-	-	40.5	-	38.5	40.7	-	35.9	38.8	-	216
229	-	-	-	-	-	-	-	-	-	-	-	-	-	37.4	-	34.2	36.9	-	229
243	-	-	-	-	-	-	-	-	-	-	-	-	-	-	-	-	33.9	-	243
256	-	-	-	-	-	-	-	-	-	-	-	-	-	-	-	-	31.2	-	256

ft	216.5 ft		236.2 ft		255.9 ft		275.6 ft		295.3 ft		315.0 ft		ft
	1,000 lb												
85	-	-	-	-	-	-	-	-	-	-	-	-	85
92	-	-	-	-	-	-	-	-	-	-	-	-	92
98	63.0	-	-	-	-	-	-	-	-	-	-	-	98
105	62.6	-	-	52.9	-	-	-	-	-	-	-	-	105
111	62.4	-	-	52.7	-	-	43.2	-	-	-	-	-	111
118	61.9	-	-	52.2	-	-	42.9	-	-	35.0	-	-	118
124	61.5	-	-	52.0	-	-	42.5	-	-	34.6	-	-	124
131	60.8	-	-	51.8	-	-	42.3	-	-	34.1	-	-	131
138	60.3	-	-	51.3	-	-	42.1	-	-	33.9	-	-	138
144	59.3	-	-	51.1	-	-	41.8	-	-	33.5	-	-	144
151	58.4	32.4	-	50.7	-	-	41.4	-	-	33.0	-	-	151
157	57.4	32.4	-	50.2	-	-	41.2	-	-	32.6	-	-	157
164	56.4	32.4	-	49.8	25.3	-	40.7	-	-	32.1	-	-	164
177	53.8	32.4	-	48.9	25.3	-	40.1	20.5	-	31.3	14.3	-	177
190	49.6	32.4	-	47.2	25.3	-	39.2	20.5	-	30.2	14.3	-	190
203	45.5	32.1	32.4	43.7	25.3	-	38.3	20.5	-	29.3	14.3	-	203
216	40.9	31.7	32.4	40.2	25.3	25.3	36.8	20.5	-	28.2	14.3	-	216
229	29.9	31.3	32.4	36.5	25.3	25.3	35.3	20.5	19.8	27.3	14.3	-	229
243	-	30.8	31.2	27.4	25.3	25.3	32.5	20.5	19.8	26.2	14.3	14.3	243
256	-	30.1	28.8	-	25.3	24.9	25.5	20.5	19.8	25.3	14.3	14.3	256
269	-	-	26.4	-	25.3	24.4	17.6	20.5	19.8	23.3	14.3	14.3	269
282	-	-	-	-	-	22.2	-	20.5	19.8	17.2	14.3	14.3	282
295	-	-	-	-	-	20.5	-	20.5	19.8	-	14.3	14.3	295
308	-	-	-	-	-	-	-	18.9	-	-	14.3	14.3	308
321	-	-	-	-	-	-	-	-	-	-	-	14.3	321
334	-	-	-	-	-	-	-	-	-	-	-	14.3	334
348	-	-	-	-	-	-	-	-	-	-	-	9.9	348

Remarks

- * SSL 0°
- ** SSL 60°

Counterweight 132,300 lb 176,400 lb 220,500 lb 264,600 lb 308,700 lb 352,800 lb

Max. capacities with minimum counterweight

Further counterweight configurations on request



Lifting capacities luffing fly jib with SSL, main boom 83°-65°



360°

DIN/ISO

182.1 ft + 13.1 ft Main boom + adapter

Radius ft	Fly jib															Radius ft			
	98.4 ft			118.1 ft			137.8 ft			157.5 ft			177.2 ft				196.9 ft		
	83°**	73°*	65°*	83°**	73°*	65°*	83°**	73°*	65°*	83°**	73°*	65°*	83°**	73°*	65°*		83°**	73°*	65°*
	1,000 lb																		
72	87.2	-	-	-	-	-	-	-	-	-	-	-	-	-	-	-	-	-	72
79	81.3	-	-	76.9	-	-	-	-	-	-	-	-	-	-	-	-	-	-	79
85	77.3	-	-	72.9	-	-	69.6	-	-	-	-	-	-	-	-	-	-	-	85
92	73.7	-	-	68.2	-	-	66.0	-	-	62.0	-	-	-	-	-	-	-	-	92
98	69.7	-	-	66.0	-	-	63.0	-	-	59.0	-	-	53.2	-	-	48.3	-	-	98
105	67.2	-	-	63.2	-	-	60.1	-	-	55.7	-	-	50.9	-	-	46.7	-	-	105
111	65.8	53.8	-	60.8	-	-	57.5	-	-	52.9	-	-	48.7	-	-	45.1	-	-	111
118	-	53.1	-	59.1	41.8	-	55.1	-	-	50.7	-	-	46.5	-	-	43.2	-	-	118
124	-	52.5	-	57.6	41.8	-	52.9	-	-	49.1	-	-	44.5	-	-	41.6	-	-	124
131	-	50.9	-	56.4	41.8	-	51.4	34.6	-	47.0	-	-	42.8	-	-	39.9	-	-	131
138	-	49.0	-	-	41.8	-	50.0	34.6	-	44.9	30.8	-	41.1	-	-	38.5	-	-	138
144	-	47.0	-	-	41.2	-	49.0	34.6	-	43.9	30.4	-	39.7	-	-	37.3	-	-	144
151	-	-	44.9	-	40.5	-	47.6	34.6	-	42.9	30.1	-	38.1	25.3	-	35.9	-	-	151
157	-	-	43.3	-	39.3	-	-	34.2	-	41.9	29.7	-	37.3	25.3	-	34.7	19.4	-	157
164	-	-	41.2	-	38.1	38.3	-	33.7	-	41.0	29.5	-	36.3	25.3	-	33.5	19.4	-	164
177	-	-	-	-	-	35.5	-	32.4	32.6	-	28.6	-	34.8	25.3	-	31.7	19.4	-	177
190	-	-	-	-	-	32.6	-	-	30.9	-	27.5	27.8	33.5	24.9	-	30.0	19.4	-	190
203	-	-	-	-	-	-	-	-	28.7	-	26.2	26.2	-	24.0	24.0	28.4	19.4	-	203
216	-	-	-	-	-	-	-	-	-	-	-	24.5	-	23.1	22.5	-	19.4	19.4	216
229	-	-	-	-	-	-	-	-	-	-	-	22.5	-	-	21.0	-	19.4	19.4	229
243	-	-	-	-	-	-	-	-	-	-	-	-	-	-	19.3	-	19.4	18.7	243
256	-	-	-	-	-	-	-	-	-	-	-	-	-	-	-	-	-	17.4	256
269	-	-	-	-	-	-	-	-	-	-	-	-	-	-	-	-	-	16.0	269

ft	216.5 ft		236.2 ft		255.9 ft		275.6 ft		295.3 ft		315.0 ft		ft
	1,000 lb												
98	-	-	-	-	-	-	-	-	-	-	-	-	98
105	41.2	-	-	-	-	-	-	-	-	-	-	-	105
111	40.0	-	-	35.1	-	-	-	-	-	-	-	-	111
118	38.3	-	-	33.9	-	-	30.2	-	-	-	-	-	118
124	37.1	-	-	32.7	-	-	29.4	-	-	24.0	-	-	124
131	35.5	-	-	31.5	-	-	28.4	-	-	23.6	-	17.8	131
138	34.1	-	-	30.3	-	-	27.3	-	-	22.9	-	17.8	138
144	33.1	-	-	29.1	-	-	26.5	-	-	22.5	-	17.6	144
151	31.9	-	-	27.9	-	-	25.5	-	-	22.0	-	17.4	151
157	31.1	-	-	27.3	-	-	24.7	-	-	21.6	-	17.4	157
164	29.9	14.3	-	26.4	-	-	24.0	-	-	20.9	-	17.1	164
177	28.2	14.3	-	25.1	11.0	-	22.7	-	-	20.2	-	16.9	177
190	26.9	14.3	-	23.6	11.0	-	21.4	7.2	-	19.4	-	16.5	190
203	25.6	14.3	-	22.5	11.0	-	20.3	7.2	-	18.5	-	16.1	203
216	24.5	14.3	14.3	21.4	11.0	-	19.4	7.2	-	17.8	-	15.4	216
229	23.0	14.3	13.9	20.3	11.0	8.8	18.3	7.2	-	17.0	-	15.0	229
243	-	14.3	13.4	19.1	11.0	8.8	17.4	7.2	7.2	16.0	-	14.3	243
256	-	14.3	13.0	-	11.0	8.8	16.5	7.2	7.2	15.2	-	13.6	256
269	-	-	12.3	-	11.0	8.8	15.6	7.2	7.2	14.5	-	12.7	269
282	-	-	11.6	-	11.0	8.8	-	7.2	7.2	13.6	-	12.1	282
295	-	-	-	-	-	8.8	-	7.2	7.0	-	-	11.4	295
308	-	-	-	-	-	8.8	-	-	6.8	-	-	10.8	308
321	-	-	-	-	-	-	-	-	6.6	-	-	-	321

Remarks

* SSL 0°

** SSL 60°

Counterweight 132,300 lb 176,400 lb 220,500 lb 264,600 lb 308,700 lb 352,800 lb

Max. capacities with minimum counterweight

Further counterweight configurations on request

Technical description

Carrier

Drive / steering	18 x 8 x 16.
Frame	Demag-built special main frame of high-strength fine-grain structural steel, with pot-shaped centre section to accommodate the outrigger beams.
Outriggers	4-point outrigger system, folding outrigger beams, fully hydraulic horizontal and vertical extension, providing 360° continuous rotation. Outrigger loading indicator.
Engine	Water-cooled 8-cylinder DaimlerChrysler diesel engine OM 502 LA, output 420 kW (571 hp) at 1800 1/min, torque 2700 Nm at 1100 1/min. Fuel tank capacity: 171.700 gallons.
Transmission	Allison type CLBT 755 with electronic transmission control (ATEC), torque converter and hydraulic retarder. Dual-range transfer case with differential lockout control.
Axles	3 + 4, 8 + 9 driving, 1-5 and 7-9 steering, all axles hydropneumatically suspended and hydraulically blockable.
Wheels and tyres	18 wheels, 14.00-R 25.
Steering	Dual-circuit semiblock mechanical steering with hydraulic booster.
Brakes	In conformity with EC-directives. Sustained action brake: constant decompression valve, exhaust brake, hydr. retarder integrated into gearbox.
Electrical equipment	24 V system, lighting in compliance with German StVZO.
Driver's cab	Rubber-mounted low-line steel cab, ergonomic design, with pneumatically suspended driver's seat and one passenger's seat; vertically adjustable steering wheel; heated outside mirrors, right-hand mirror electrically adjustable; dashboard with clearly arranged instrumentation and carrier controls.

Superstructure

Engine	Water-cooled 6-cylinder DaimlerChrysler diesel engine OM 906 LA, output: 205 kW (279 hp) at 2300 1/min, torque 1100 Nm at 1300 1/min. Fuel tank capacity: 79.300 gallons.
Hydraulic system	Powered via five hydraulic circuits, three main pumps for independent control movements, one pump for auxiliary circuits, one control pump for the servo control.
Hoist I	Axial-piston variable displacement motor, hoist drum with integrated planetary gear reducer, and brake.
Slew unit	Axial piston motor with planetary gearing, foot-operated brake, and spring-applied holding brake.
Boom elevation	Two differential cylinders with pilot-controlled lowering brake valves.
Control	Electrical pilot-control by two self-centering servo levers.
Crane cab	Spacious all-steel comfortable cab (tiltable) with sliding door and large hinged windscreen, roof window with armoured glass, full instrumentation and crane controls, comfortable seat with ergonomic armrest mounted joystick controls, working light. Self-contained hot water heater with timer and 'Heizmatic' for sensitive heat flow control. Intermittent control window wiper and washer, air-conditioning.
Main boom	Boom base and four telescopic sections fabricated from fine grain structural steel, telescoping with partial load. Buckling-resistant Demag ovaloid design with diagonally arranged self-centering slider shoes.
Counterweight	220,500 lb, divisible.
Safety devices	Electronic safe load indicator with large graphic display and sealed touch-type keyboard, digital read-out for hook load, nominal load, boom length, angle, and radius. Analog display to indicate the capacity utilization, and monitoring code to assist in trouble shooting. Integrated guide system for boom telescoping, display for load charts, display and calculation of outrigger loadings. Other features include: limit switches on hoist and lowering motions, pressure relief and safety holding valves, hoist rotation indicator and anemometer.

Optional equipment

Superlift attachment	This attachment used to increase the crane's load moment consists of both the boom suspension system folding out, as required, at 0°, 30° or 60°. The boom suspension system provides for an automatic rope length adjustment for boom telescoping, and is lowered to the main boom when not needed (axle loads to be observed).
Main boom extension	Lattice extension consisting of components of the 315.0 ft luffing jib, 19.7 – 118.1 ft long, 0°, 20° and 40° offset.
Fixed jib	Fixed lattice jib, comprising of parts of the luffing jib, 65.6 – 164.0 ft long (LF-system).
Luffing jib	78.7 – 315.0 ft, plus 13.1 ft adapter, with two luffing masts, pendant bars, electrical equipment, safety devices (hoist II is required when using the luffing jib).
Additional counterweight	132,300 lb, integrated into the standard counterweight, installed by the crane itself.
Additional jack leg	For special duties with 50.9 ft main boom.
Hoist II	Axial piston variable displacement motor, hoist drum with integrated planetary reduction, spring-applied multi-disk brake, hoist rope.
Independent rear axle steering	

Overview of standard duty charts

 40.0 x 39.4 ft

Main boom

Main boom	83°							
	0 klb	88.2 klb	132.3 klb	176.4 klb	220.5 klb	264.6 klb	308.7 klb	352.8 klb
50.9 ft	x	x	x	x	x	x	x	x
67.3 ft	x	x	x	x	x	x	x	x
83.7 ft	x	x	x	x	x	x	x	x
100.0 ft	x	x	x	x	x	x	x	-
116.5 ft	x	x	x	x	x/+SSL	x/+SSL	x/+SSL	+SSL
132.9 ft	x	x	x	x	x/+SSL	x/+SSL	x/+SSL	+SSL
149.3 ft	x	x	x	x	x/+SSL	x/+SSL	x/+SSL	+SSL
165.7 ft	x	x	x	x	x/+SSL	x/+SSL	x/+SSL	+SSL
182.1 ft	x	x	x	x	x/+SSL	x/+SSL	x/+SSL	+SSL
196.9 ft	x	x	x	x	x/+SSL	x/+SSL	x/+SSL	+SSL

 29.6 x 27.7 ft

Main boom	83°							
	0 klb	88.2 klb	132.3 klb	176.4 klb	220.5 klb	264.6 klb	308.7 klb	352.8 klb
50.9 ft	x	x	x	x	x	x	x	x
67.3 ft	x	x	x	x	x	x	x	x
83.7 ft	x	x	x	x	x	x	x	x
100.0 ft	x	x	x	x	x	x	x	-
116.5 ft	x	x	x	x	x	x	x	-
132.9 ft	x	x	x	x	x	x	x	-
149.3 ft	x	x	x	x	x	x	x	-
165.7 ft	x	x	x	x	x	x	x	-
182.1 ft	x	x	x	x	x	x	x	-
196.9 ft	x	x	x	x	x	x	x	-

 40.0 x 39.4 ft


Lattice extension

Main boom	Extension	83°							
		88.2 klb	132.3 klb	176.4 klb	220.5 klb	264.6 klb	308.7 klb	352.8 klb	
196.9 ft	19.7 ft - 0°	SSL 0°	x	x	x	x/+SSL	+SSL	+SSL	+SSL
	39.3 ft - 0°	SSL 0°	x	x	x	x/+SSL	+SSL	+SSL	+SSL
	59.0 ft - 0°	SSL 0°	x	x	x	x/+SSL	+SSL	+SSL	+SSL
	78.7 ft - 0°	SSL 30°	x	x	x	x/+SSL	+SSL	+SSL	+SSL
	98.4 ft - 0°	SSL 30°	x	x	x	x/+SSL	+SSL	+SSL	+SSL
	118.1 ft - 0°	SSL 30°	x	x	x	x/+SSL	+SSL	+SSL	+SSL
	39.3 ft - 20°	SSL 0°	x	x	x	x/+SSL	+SSL	+SSL	+SSL
	59.0 ft - 20°	SSL 0°	x	x	x	x/+SSL	+SSL	+SSL	+SSL
	78.7 ft - 20°		x	x	x	-	-	-	-
	98.4 ft - 20°		x	x	x	-	-	-	-
	118.1 ft - 20°		x	x	x	-	-	-	-
	39.3 ft - 40°	SSL 0°	x	x	x	+SSL	+SSL	-	-
	59.0 ft - 40°	SSL 0°	x	x	x	+SSL	+SSL	-	-
	78.7 ft - 40°		x	x	x	-	-	-	-
	98.4 ft - 40°		x	x	x	-	-	-	-
	118.1 ft - 40°		x	x	x	-	-	-	-

 29.6 x 27.7 ft

Main boom	Extension	83°							
		88.2 klb	132.3 klb	176.4 klb	220.5 klb	264.6 klb	308.7 klb	352.8 klb	
196.9 ft	19.7 ft - 0°	x	x	x	x	x	x	x	-
	39.3 ft - 0°/20°	x	x	x	x	x	x	x	-
	59.0 ft - 0°/20°	x	x	x	x	x	x	x	-
	78.7 ft - 0°/20°	x	x	x	x	x	x	x	-
	98.4 ft - 0°/20°	x	x	x	x	x	x	x	-
	118.1 ft - 0°/20°	x	x	x	x	x	x	x	-
	39.3 ft - 40°	x	x	x	x	x	x	x	-
	59.0 ft - 40°	x	x	x	x	x	x	x	-
	78.7 ft - 40°	x	x	x	x	x	x	x	-
	98.4 ft - 40°	x	x	x	x	x	x	x	-

* SSL 0° + 30°

 40.0 x 39.4 ft

Fixed fly jib

Main boom	Jib	83°							
		0 klb	88.2 klb	132.3 klb	176.4 klb	220.5 klb	264.6 klb	308.7 klb	352.8 klb
165.7 ft	65.6 ft - 0°			x	x	x	x		
	65.6 ft - 20°			-	-	-	-		
	65.6 ft - 40°			-	-	-	-		
	85.3 ft - 0°			x	x	x	x		
	85.3 ft - 20°			x	x	x	x		
	85.3 ft - 40°			x	x	x	x		
	105.0 ft - 0°			x	x	x	x		
	105.0 ft - 20°			x	x	x	x		
	105.0 ft - 40°			x	x	x	x		
	124.7 ft - 0°			x	x	x	x		
	124.7 ft - 20°			x	x	x	x		
	124.7 ft - 40°			x	x	x	x		
	144.4 ft - 0°			x	x	x	x		
	144.4 ft - 20°			x	x	x	x		
	144.4 ft - 40°			x	x	x	x		
	164.0 ft - 0°			x	x	x	x		

Jib	Main boom							
	182.1 ft / SSL 0°							
	132.3 klb	176.4 klb	220.5 klb	264.6 klb	308.7 klb	352.8 klb	220.5/264.6/308.7/352.8 klb	
65.6 ft - 0°	x	x	x/+SSL	x/+SSL	+SSL	+SSL		+ SSL
65.6 ft - 20°	-	-	-	-	-	-		-
65.6 ft - 40°	-	-	-	-	-	-		-
85.3 ft - 0°	x	x	x/+SSL	x/+SSL	+SSL	+SSL		+ SSL
85.3 ft - 20°	x	x	x/+SSL	x/+SSL	+SSL	-		-
85.3 ft - 40°	x	x	x/+SSL	+ SSL	-	-		-
105.0 ft - 0°	x	x	x/+SSL	x/+SSL	+SSL	+SSL		+ SSL
105.0 ft - 20°	x	x	x/+SSL	x/+SSL	+SSL	-		-
105.0 ft - 40°	x	x	x/+SSL	+ SSL	-	-		-
124.7 ft - 0°	x	x	x/+SSL	x/+SSL	+SSL	+SSL		+ SSL
124.7 ft - 20°	x	x	x/+SSL	x/+SSL	+SSL	-		-
124.7 ft - 40°	x	x	x/+SSL	+ SSL	-	-		-
144.4 ft - 0°	x	x	x/+SSL	x/+SSL	+SSL	+SSL		+ SSL
144.4 ft - 20°	x	x	x/+SSL	x/+SSL	+SSL	-		-
144.4 ft - 40°	x	x	x/+SSL	+ SSL	-	-		-
164.0 ft - 0°	x	x	x/+SSL	x/+SSL	+SSL	+SSL		+ SSL
164.0 ft - 20°	x	x	x/+SSL	x/+SSL	+SSL	-		-
164.0 ft - 40°	x	x	x/+SSL	+ SSL	-	-		-


 29.6 x 27.7 ft

Luffing fly jib

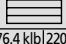
Main boom	Jib	83°							
		0 klb	88.2 klb	132.3 klb	176.4 klb	220.5 klb	264.6 klb	308.7 klb	352.8 klb
50.9 ft + 13.1 ft*	78.7 ft	-	-	x	x	x	-	-	-
	98.4 ft	-	-	x	x	x	-	-	-
	118.1 ft	-	-	x	x	x	-	-	-
	137.8 ft	-	-	x	x	x	-	-	-
	157.5 ft	-	-	x	x	x	-	-	-
	177.2 ft	-	-	x	x	x	-	-	-
	196.9 ft	-	-	x	x	x	-	-	-
	216.5 ft	-	-	x	x	x	-	-	-
	236.2 ft	-	-	x	x	x	-	-	-
	255.9 ft	-	-	-	x	x	-	-	-
	275.6 ft	-	-	-	x	x	-	-	-
	295.3 ft	-	-	-	x	x	-	-	-
	315.0 ft	-	-	-	-	x	-	-	-

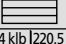
Main boom	Jib	83°/73°/65°							
		0 klb	88.2 klb	132.3 klb	176.4 klb	220.5 klb	264.6 klb	308.7 klb	352.8 klb
165.7 ft + 13.1 ft*	78.7 ft	-	-	x	x	x	-	-	-
	98.4 ft	-	-	x	x	x	-	-	-
	118.1 ft	-	-	x	x	x	-	-	-
	137.8 ft	-	-	x	x	x	-	-	-
	157.5 ft	-	-	x	x	x	-	-	-
	177.2 ft	-	-	x	x	x	-	-	-
	196.9 ft	-	-	x	x	x	-	-	-
	216.5 ft	-	-	x	x	x	-	-	-
	236.2 ft	-	-	x	x	x	-	-	-
	255.9 ft	-	-	-	x	x	-	-	-
	275.6 ft	-	-	-	x	x	-	-	-
	295.3 ft	-	-	-	x	x	-	-	-
	315.0 ft	-	-	-	-	x	-	-	-

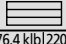
* adapter

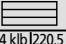
 40.0 x 39.4 ft

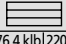
Luffing fly jib

Main boom	Jib								
		0 klb	88.2 klb	132.3 klb	176.4 klb	220.5 klb	264.6 klb	308.7 klb	352.8 klb
		83°/73°/65°							
50.9 ft + 13.1 ft* 67.3 ft + 13.1 ft* 83.7 ft + 13.1 ft* 100.0 ft + 13.1 ft*	78.7 ft	-	-	x/-	x/-	x/x/x	x/x/x	x/x/x	x/x/x
	98.4 ft	-	-	x/-	x/-	x/x/x	x/x/x	x/x/x	x/x/x
	118.1 ft	-	-	x/-	x/-	x/x/x	x/x/x	x/x/x	x/x/x
	137.8 ft	-	-	x/-	x/-	x/x/x	x/x/x	x/x/x	x/x/x
	157.5 ft	-	-	x/-	x/-	x/x/x	x/x/x	x/x/x	x/x/x
	177.2 ft	-	-	x/-	x/-	x/x/x	x/x/x	x/x/x	x/x/x
	196.9 ft	-	-	x/-	x/-	x/x/x	x/x/x	x/x/x	x/x/x
	216.5 ft	-	-	x/-	x/-	x/x/x	x/x/x	x/x/x	x/x/x
	236.2 ft	-	-	x/-	x/-	x/x/x	x/x/x	x/x/x	x/x/x
	255.9 ft	-	-	x/-	x/-	x/x/x	x/x/x	x/x/x	x/x/x
	275.6 ft	-	-	x/-	x/-	x/x/x	x/x/x	x/x/x	x/x/x
295.3 ft	-	-	x/-	x/-	x/x/x	x/x/x	x/x/x	x/x/x	
315.0 ft	-	-	x/-	x/-	x/x/x	x/x/x	x/x/x	x/x/x	

Main boom	Jib								
		0 klb	88.2 klb	132.3 klb	176.4 klb	220.5 klb	264.6 klb	308.7 klb	352.8 klb
		83°/73°/65°							
165.7 ft + 13.1 ft*	78.7 ft	-	-	x/-	x/-	x/x/x	x/x/x	-	-
	98.4 ft	-	-	x/-	x/-	x/x/x	x/x/x	-	-
	118.1 ft	-	-	x/-	x/-	x/x/x	x/x/x	-	-
	137.8 ft	-	-	x/-	x/-	x/x/x	x/x/x	-	-
	157.5 ft	-	-	x/-	x/-	x/x/x	x/x/x	-	-
	177.2 ft	-	-	x/-	x/-	x/x/x	x/x/x	-	-
	196.9 ft	-	-	x/-	x/-	x/x/x	x/x/x	-	-
	216.5 ft	-	-	x/-	x/-	x/x/x	x/x/x	-	-
	236.2 ft	-	-	x/-	x/-	x/x/x	x/x/x	-	-
	255.9 ft	-	-	x/-	x/-	x/x/x	x/x/x	-	-
	275.6 ft	-	-	x/-	x/-	x/x/x	x/x/x	-	-
295.3 ft	-	-	-	-	-	-	-	-	
315.0 ft	-	-	-	-	-	-	-	-	

Main boom	Jib								
		0 klb	88.2 klb	132.3 klb	176.4 klb	220.5 klb	264.6 klb	308.7 klb	352.8 klb
		83°/73°/65°							
132.9 ft + 13.1 ft*	78.7 ft	-	-	x/-	x/-	x/x/x	x/x/x	x/x/x	-
	98.4 ft	-	-	x/-	x/-	x/x/x	x/x/x	x/x/x	-
	118.1 ft	-	-	x/-	x/-	x/x/x	x/x/x	x/x/x	-
	137.8 ft	-	-	x/-	x/-	x/x/x	x/x/x	x/x/x	-
	157.5 ft	-	-	x/-	x/-	x/x/x	x/x/x	x/x/x	-
	177.2 ft	-	-	x/-	x/-	x/x/x	x/x/x	x/x/x	-
	196.9 ft	-	-	x/-	x/-	x/x/x	x/x/x	x/x/x	-
	216.5 ft	-	-	x/-	x/-	x/x/x	x/x/x	x/x/x	-
	236.2 ft	-	-	x/-	x/-	x/x/x	x/x/x	x/x/x	-
	255.9 ft	-	-	x/-	x/-	x/x/x	x/x/x	x/x/x	-
	275.6 ft	-	-	x/-	x/-	x/x/x	x/x/x	x/x/x	-
295.3 ft	-	-	x/-	x/-	x/x/x	x/x/x	x/x/x	-	
315.0 ft	-	-	x/-	x/-	x/x/x	x/x/x	x/x/x	-	

Main boom	Jib								
		0 klb	88.2 klb	132.3 klb	176.4 klb	220.5 klb	264.6 klb	308.7 klb	352.8 klb
		83°/73°/65°							
182.1 ft + 13.1 ft*	78.7 ft	-	-	x/-	x/-	x/x/x	-	-	-
	98.4 ft	-	-	x/-	x/-	x/x/x	-	-	-
	118.1 ft	-	-	x/-	x/-	x/x/x	-	-	-
	137.8 ft	-	-	x/-	x/-	x/x/x	-	-	-
	157.5 ft	-	-	x/-	x/-	x/x/x	-	-	-
	177.2 ft	-	-	x/-	x/-	x/x/x	-	-	-
	196.9 ft	-	-	x/-	x/-	x/x/x	-	-	-
	216.5 ft	-	-	x/-	x/-	x/x/x	-	-	-
	236.2 ft	-	-	x/-	x/-	x/x/x	-	-	-
	255.9 ft	-	-	x/-	x/-	x/x/x	-	-	-
	275.6 ft	-	-	x/-	x/-	x/x/x	-	-	-
295.3 ft	-	-	-	-	-	-	-	-	
315.0 ft	-	-	-	-	-	-	-	-	

Main boom	Jib								
		0 klb	88.2 klb	132.3 klb	176.4 klb	220.5 klb	264.6 klb	308.7 klb	352.8 klb
		83°/73°/65°							
149.3 ft + 13.1 ft*	78.7 ft	-	-	x/-	x/-	x/x/x	x/x/x	-	-
	98.4 ft	-	-	x/-	x/-	x/x/x	x/x/x	-	-
	118.1 ft	-	-	x/-	x/-	x/x/x	x/x/x	-	-
	137.8 ft	-	-	x/-	x/-	x/x/x	x/x/x	-	-
	157.5 ft	-	-	x/-	x/-	x/x/x	x/x/x	-	-
	177.2 ft	-	-	x/-	x/-	x/x/x	x/x/x	-	-
	196.9 ft	-	-	x/-	x/-	x/x/x	x/x/x	-	-
	216.5 ft	-	-	x/-	x/-	x/x/x	x/x/x	-	-
	236.2 ft	-	-	x/-	x/-	x/x/x	x/x/x	-	-
	255.9 ft	-	-	x/-	x/-	x/x/x	x/x/x	-	-
	275.6 ft	-	-	x/-	x/-	x/x/x	x/x/x	-	-
295.3 ft	-	-	x/-	x/-	x/x/x	x/x/x	-	-	
315.0 ft	-	-	x/-	x/-	x/x/x	x/x/x	-	-	

 40.0 x 39.4 ft

Luffing fly jib + SSL

Jib	Main boom / SSL 0°							
	116.5 ft + 13.1 ft* / 149.3 ft + 13.1 ft*				182.1 ft + 13.1 ft*			
	220.5 klb	264.6 klb	308.7 klb	352.8 klb	220.5 klb	264.6 klb	308.7 klb	352.8 klb
	83°/73°/65°							
98.4 ft	x	x	x	x	x	x	x	x
118.1 ft	x	x	x	x	x	x	x	x
137.8 ft	x	x	x	x	x	x	x	x
157.5 ft	x	x	x	x	x	x	x	x
177.2 ft	x	x	x	x	x	x	x	x
196.9 ft	x	x	x	x	x	x	x	x
216.5 ft	x	x	x	x	x	x	x	x
236.2 ft	x	x	x	x	x	x	x	x
255.9 ft	x	x	x	x	x	x	x	x
275.6 ft	x	x	x	x	-	-	-	-
295.3 ft	x	x	x	x	-	-	-	-
315.0 ft	-	-	-	-	-	-	-	-

Jib	Main boom / SSL 60°									
	116.5 ft + 13.1 ft* / 132.9 ft + 13.1 ft* / 149.3 ft + 13.1 ft*				165.7 ft + 13.1 ft* / 182.1 ft + 13.1 ft*					
	176.4 klb	220.5 klb	264.6 klb	308.7 klb	352.8 klb	176.4 klb	220.5 klb	264.6 klb	308.7 klb	352.8 klb
	83°									
98.4 ft	x	x	x	x	x	x	x	x	x	x
118.1 ft	x	x	x	x	x	x	x	x	x	x
137.8 ft	x	x	x	x	x	x	x	x	x	x
157.5 ft	x	x	x	x	x	x	x	x	x	x
177.2 ft	x	x	x	x	x	x	x	x	x	x
196.9 ft	x	x	x	x	x	x	x	x	x	x
216.5 ft	x	x	x	x	x	x	x	x	x	x
236.2 ft	x	x	x	x	x	x	x	x	x	x
255.9 ft	x	x	x	x	x	x	x	x	x	x
275.6 ft	x	x	x	x	x	x	x	x	x	x
295.3 ft	x	x	x	x	x	x	x	x	x	x
315.0 ft	x	x	x	x	x	-	-	-	-	-

* adapter



Key

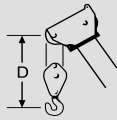


Counterweight



Lifting capacities on outriggers 360°


„D“



SSL:

Sideways Superlift

Notes



The information contained in this brochure merely consists of general descriptions and a broad compilation of performance features which might not apply precisely as described under specific application conditions or which may change as a result of further product development.
The desired performance features only become binding once expressly agreed in the final contract.

Subject to change without notice. · Machine operation is subject to computer charts only.

03/03

Demag Mobile Cranes Inc.

9871 Highway 78 · Ladson, SC 29456

Telephone: 843-572-9311

Telefax: 843-824-0793