

PK 11001 / PK 12001-EH

High Performance

PALFINGER CRANE



KTL
protected

Paltronic
50
controlled

RRC^{*)}
Radio Remote Control
operated

ISC^{*)}
Integrated Stability Control
monitored

AOS^{*)}
Active Oscillation Suppression
inside

All-rounders in municipal use

Reliable and versatile

The PK 11001 displays a particularly cost-efficient performance in the 11 metre tonne class.

Fitted with the appropriate auxiliary equipment, this crane rapidly becomes a multi-functional workhorse. The PK 12001 EH copes with even the most difficult tasks thanks to the electronic HPLS which reduces the working speed and simultaneously increases the lifting power as required.



Ability to work efficiently at the highest level



Best in their class



Knuckle joint on knuckle boom

The knuckle joint significantly improves the crane's motion geometry.



Maintenance-free extension system

With the maintenance-free extension system PALFINGER sets a clear path in easy servicing. The use of sliding elements made of special plastic in combination with the proven KTL cathodic dip painting means that the extension boom system no longer has to be serviced by the operator. This not only saves time and expense but also protects the environment.



Control console

All important information about the crane can be seen on the main control stand. A digital indicator counts and displays the operating hours. Ergonomic control levers and the optional lighting package provide increased safety and comfort even in poor visibility conditions.



Lighting package (optional)

The control stand is supplied on request with LED illumination and backlit symbols. LED warning lights are fitted on the outriggers to provide better visibility.



Functional Design

Functional Design elements increase working comfort, protect against damage and make servicing and maintenance easier. The spiral tube hose optimally protects the hydraulic hoses from environmental influences, damage and dirt.



Radio remote control

Radio remote control with digital data transmission (standard on EH models) offers maximum efficiency and comfort. The display integrated in the handset informs the crane operator continuously about the current capacity loading level of the crane.



PALTRONIC 50

Modern electronics in the increasingly complex crane system offers safety and comfort functions which make the crane operator's work easier and increases the efficiency of the crane job.

Perfect partners in the transport business

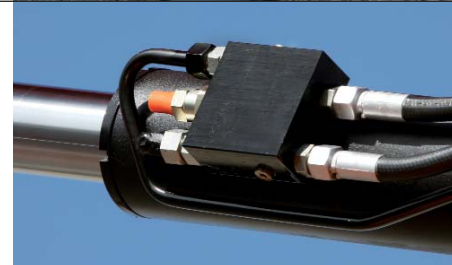
Outrigger system

All the outriggers are fitted as standard with a ball-jointed support plate that can be swivelled through 10°. This enables them to adapt optimally to the ground. The enlarged plate also reduces the pressure on the ground. The PK 11001 and 12001 EH *High Performance* fit onto all standard truck chassis frames. Three outrigger widths are available: 3.2 m, 10'6" (mechanical), 4.9 m, 16'1" (mechanical or hydraulic) and 5.6 m, 18'4" (hydraulic).



Load-holding valve

They prevent the crane boom from dropping and are fitted as standard on all slewing, lifting, knuckle-boom and extension cylinders. The valves are positioned in such a way that they are protected against damage.



Hose equipment for auxiliary equipment

Hoses providing oil supply for auxiliary equipment are routed in compact trays and protective chains. A clean design offers maximum service life.



Return oil utilisation

The high speed of the extension system is impressive. It results from return oil utilisation, which is installed as standard, and the generously dimensioned hydraulic lines. This increases efficiency in all types of applications!



KTL – the cathodic dip painting

The shot-blasted crane parts are covered in zinc phosphate in an immersion process and coated electro-statically. The subsequent two-component top coating of paint provides a surface protection which in the past was usually only found in the automotive industry.



ISC (optional)*

The integrated stability control (ISC) is a system that monitors the stability of the crane vehicle. The system adjusts the crane's lifting forces depending on the current stability support situation and the crane boom to ensure the vehicle's stability over the entire working area.

* ISC or an alternative system for monitoring stability is mandatory in the version compliant with EN12999:2009.



AOS (optional)

The Active Oscillation Suppression system available exclusively from PALFINGER compensates for jolts and sharp stress cycles caused by crane operation. Because oscillations are eradicated the crane can work with precision, much faster and therefore more cost-efficiently.



PK 11001 High Performance

Max. lifting capacities

STD

Max. lifting capacities	5700 kg	12570 lbs
Outreach	Capacity	
hydraulic		
3.7 m	12' 2"	2650 kg 5840 lbs
5.6 m	18' 4"	1780 kg 3920 lbs

A

Max. lifting capacities	5580 kg	12300 lbs
Outreach	Capacity	
hydraulic		
3.8 m	12' 6"	2550 kg 5620 lbs
5.7 m	18' 8"	1660 kg 3660 lbs
7.6 m	24' 11"	1240 kg 2730 lbs

B

Max. lifting capacities	5460 kg	12040 lbs
Outreach	Capacity	
hydraulic		
3.9 m	12' 10"	2450 kg 5290 lbs
5.8 m	19' 0"	1540 kg 3400 lbs
7.7 m	25' 3"	1120 kg 2470 lbs
9.7 m	31' 10"	870 kg 1920 lbs
manual		
11.9 m	39' 1"	680 kg 1500 lbs
13.9 m	45' 7"	550 kg 1210 lbs

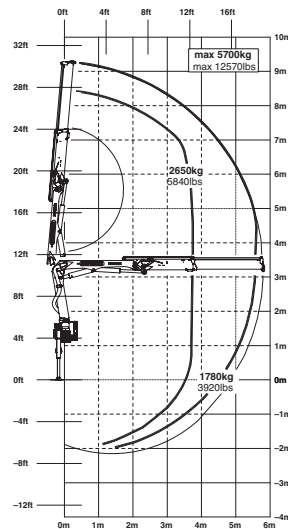
C

Max. lifting capacities	5360 kg	11820 lbs
Outreach	Capacity	
hydraulic		
4.0 m	13' 1"	2300 kg 5070 lbs
5.9 m	19' 4"	1440 kg 3170 lbs
7.8 m	25' 7"	1020 kg 2250 lbs
9.8 m	32' 2"	780 kg 1720 lbs
11.8 m	38' 9"	640 kg 1410 lbs
manual		
13.8 m	45' 3"	510 kg 1120 lbs
15.8 m	51' 10"	380 kg 840 lbs

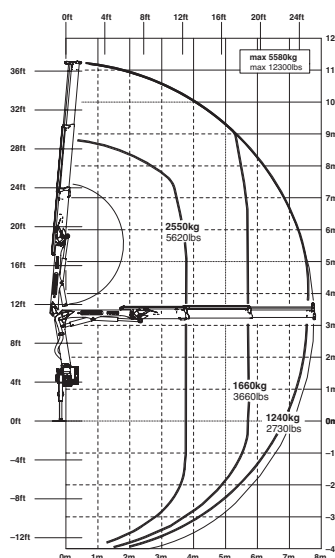
D

Max. lifting capacities	5260 kg	11600 lbs
Outreach	Capacity	
hydraulic		
4.1 m	13' 1"	2150 kg 4740 lbs
5.9 m	19' 4"	1340 kg 2950 lbs
7.9 m	25' 7"	930 kg 2050 lbs
9.9 m	32' 6"	680 kg 1500 lbs
11.9 m	39' 1"	540 kg 1190 lbs
13.9 m	45' 7"	450 kg 990 lbs
manual		
15.9 m	52' 6"	370 kg 820 lbs

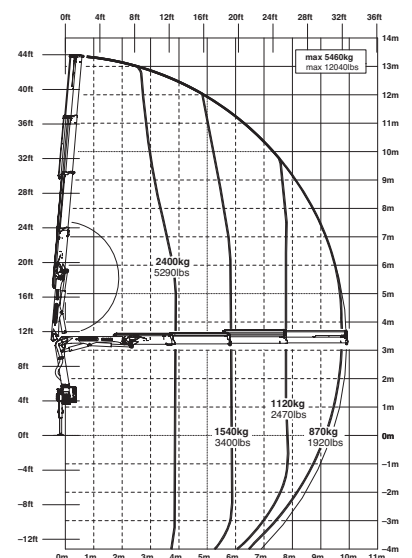
STD



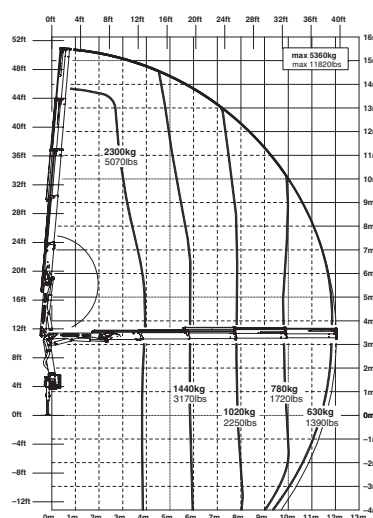
A



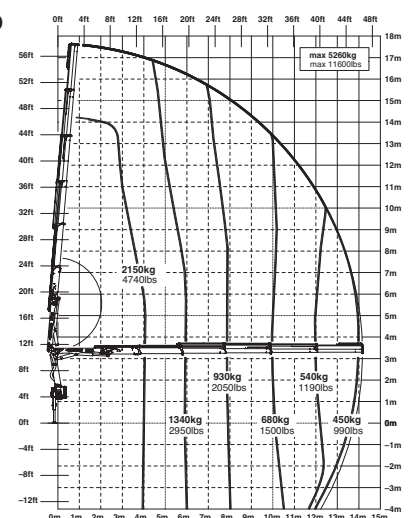
B



C

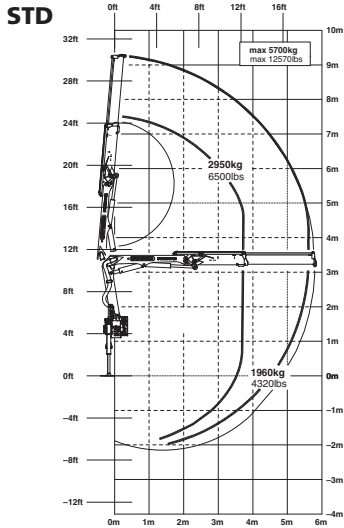


D



The outreaches stated are with a boom angle of 20° and are therefore not the maximum.

PK 12001 EH High Performance



Package model PK 12001 EH:

- E-HPLS
- Paltronic 50
- Radio remote control with LED display
- Danfoss control valve or PVG2000
- 8.5 kW oil cooler
- 100 l oil tank

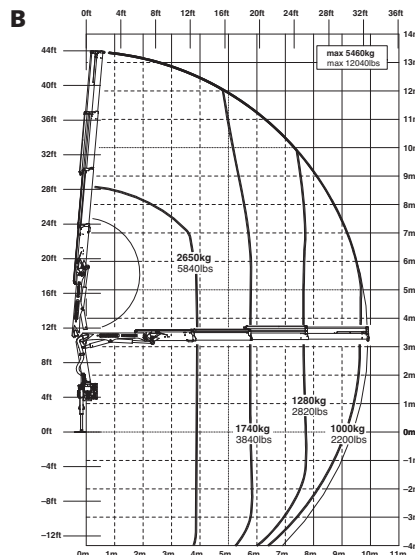
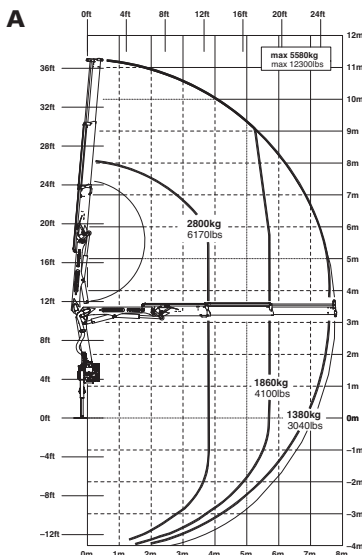
Max. lifting capacities

STD

Max. lifting capacities	5700 kg	12570 lbs
Outreach	Capacity	
hydraulic		
3.7 m	12' 2"	2950 kg 6500 lbs
5.6 m	18' 4"	1960 kg 4320 lbs

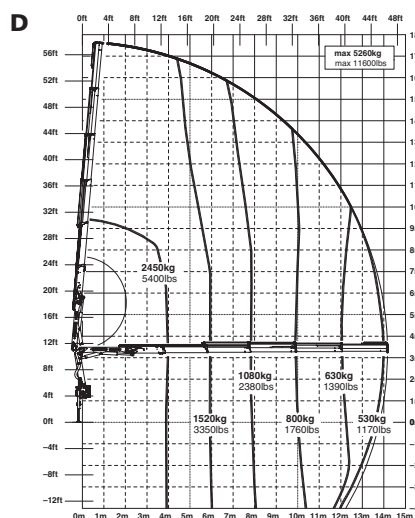
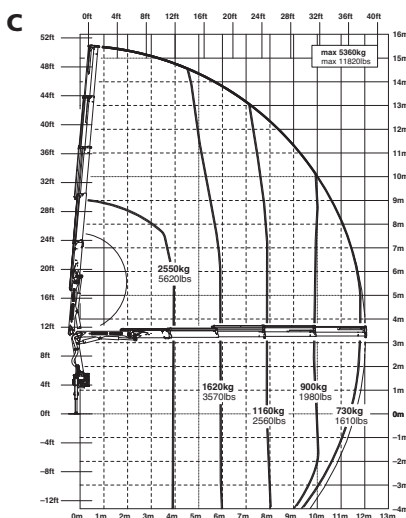
A

Max. lifting capacities	5580 kg	12300 lbs
Outreach	Capacity	
hydraulic		
3.8 m	12' 6"	2800 kg 6170 lbs
5.7 m	18' 8"	1860 kg 4100 lbs
7.6 m	24' 11"	1380 kg 3040 lbs



B

Max. lifting capacities	5460 kg	12040 lbs
Outreach	Capacity	
hydraulic		
3.9 m	12' 10"	2650 kg 5840 lbs
5.8 m	19' 0"	1740 kg 3840 lbs
7.7 m	25' 3"	1280 kg 2820 lbs
9.7 m	31' 10"	1000 kg 2200 lbs
manual		
11.9 m	39' 1"	770 kg 1700 lbs
13.9 m	45' 7"	630 kg 1390 lbs



C

Max. lifting capacities	5360 kg	11820 lbs
Outreach	Capacity	
hydraulic		
4.0 m	13' 1"	2550 kg 5620 lbs
5.9 m	19' 4"	1620 kg 3570 lbs
7.8 m	25' 7"	1160 kg 2560 lbs
9.8 m	32' 2"	900 kg 1980 lbs
11.8 m	38' 9"	730 kg 1610 lbs
manual		
13.8 m	45' 3"	600 kg 1320 lbs
15.8 m	51' 10"	380 kg 840 lbs

D

Max. lifting capacities	5260 kg	11600 lbs
Outreach	Capacity	
hydraulic		
4.1 m	13' 5"	2450 kg 5400 lbs
5.9 m	19' 4"	1520 kg 3350 lbs
7.9 m	25' 11"	1080 kg 2380 lbs
9.9 m	32' 6"	800 kg 1760 lbs
11.9 m	39' 1"	630 kg 1390 lbs
13.9 m	45' 7"	530 kg 1170 lbs
manual		
15.9 m	52' 2"	380 kg 840 lbs

PK 11001 High Performance

Technical Specifications (EN 12999 HC1 HD4/B3)

Max. lifting moment	10.0 mt/98.1 kNm	72350 ft.lbs
Max. lifting capacity	5700 kg/55.9 kN	12570 lbs
Max. hydraulic outreach	14.2 m	46' 7"
Max. manual outreach	16.2 m	53' 2"
Slewing angle	400°	
Slewing torque	1.3 mt/12.7 kNm	9400 ft.lbs
Stabilizer spread	std. 3.2 m/10' 6"	max. 5.6 m/18' 4"
Fitting space required (std.)	0.69 m	2' 3"
Width folded	2.40 m	7' 10"
Max. operating pressure	320 bar	4640 psi
Recommended pump capacity	from 30 l/min	7.9 US gal./min
	to 45 l/min	11.9 US gal./min
Dead weight (std.)	1115 kg	2460 lbs

PK 12001 EH High Performance

Technical Specifications (EN 12999 HC1 HD4/B3)

Max. lifting moment	11.1 mt/108.9 kNm	80310 ft.lbs
Max. lifting capacity	5700 kg/55.9 kN	12570 lbs
Max. hydraulic outreach	14.2 m	46' 7"
Max. manual outreach	16.2 m	53' 2"
Slewing angle	400°	
Slewing torque	1.3 mt/12.7 kNm	9400 ft.lbs
Stabilizer spread	std. 3.2 m/10' 6"	max. 5.6 m/18' 4"
Fitting space required (std.)	0.69 m	2' 3"
Width folded	2.40 m	7' 10"
Max. operating pressure	350 bar	5075 psi
Recommended pump capacity	from 45 l/min	11.9 US gal./min
	to 60 l/min	15.9 US gal./min
Dead weight (std.)	1140 kg	2510 lbs

