

# ATF 600G-8

660 TON CAPACITY

# ALL TERRAIN CRANE

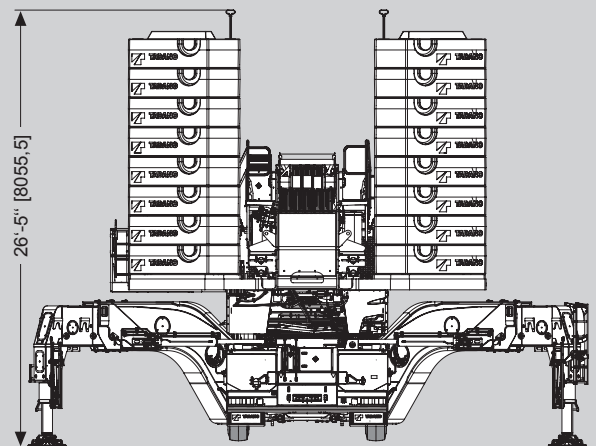
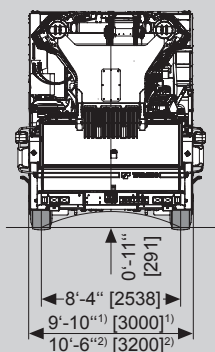
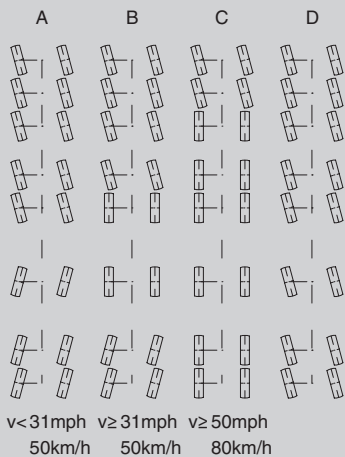
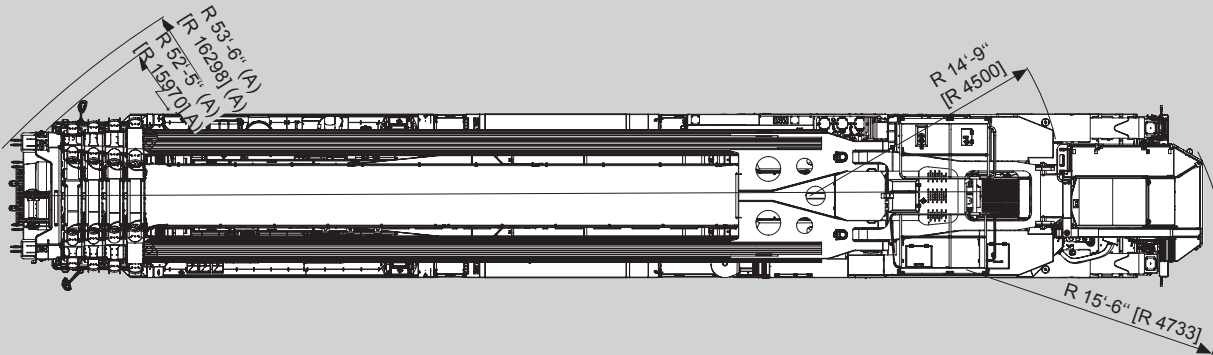
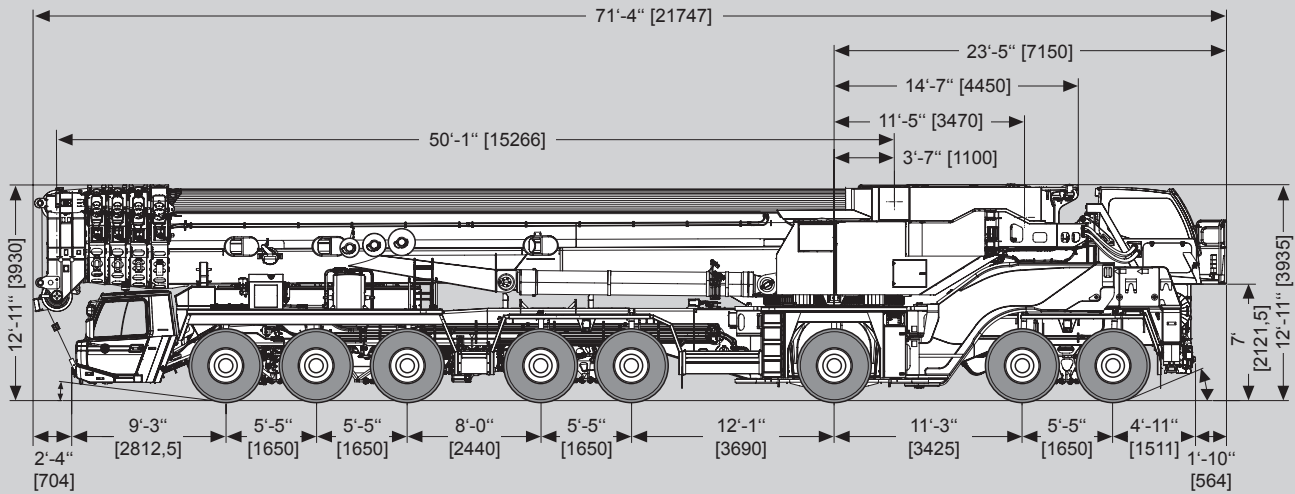


PRELIMINARY


**2 ENGINES**

Dimensions (ft, mm) / Dimensiones (ft, mm)

<b>445/95 R 25</b> (16.00 R 25)	<b>525/80 R 25</b> (20.50 R 25)	PRELIMINARY	SAE
------------------------------------	------------------------------------	-------------	-----



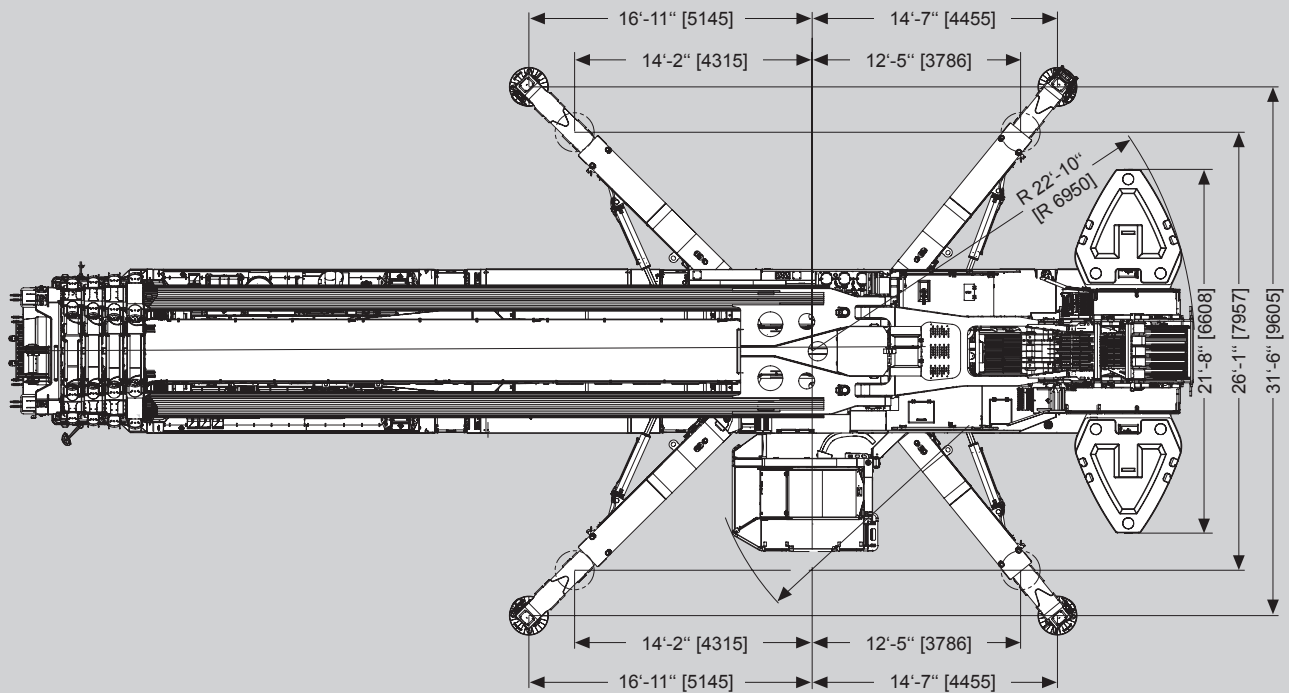
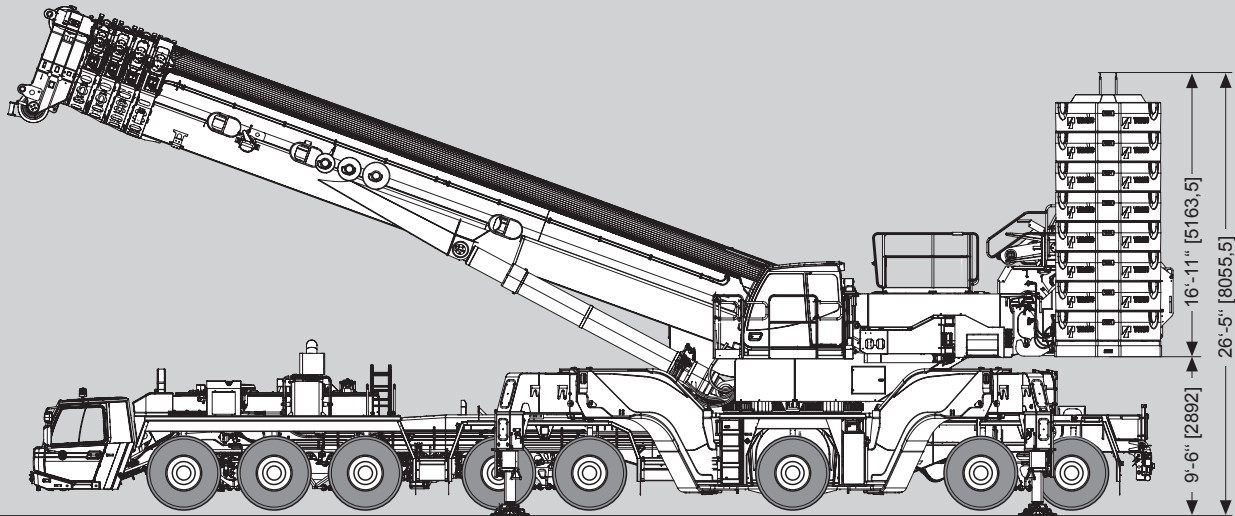
- 1) 445/95 R 25 (16.00 R 25)
- 2) 525/80 R 25 (20.5 R 25)

 445/95 R 25  
(16.00 R 25)

 525/80 R 25  
(20.50 R 25)

PRELIMINARY

SAE

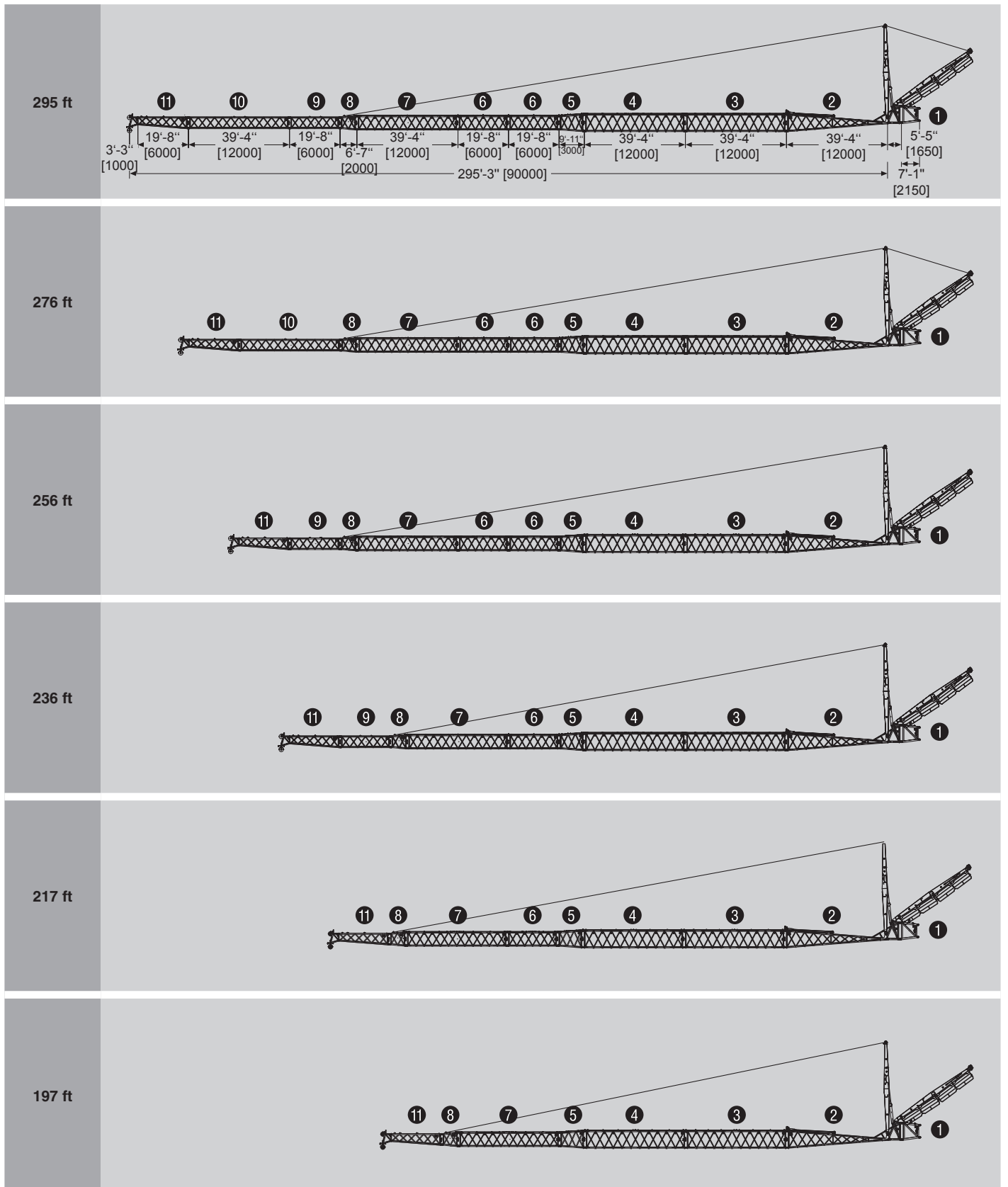


LJ General survey / LJ sistema de vigilancia



PRELIMINARY

SAE

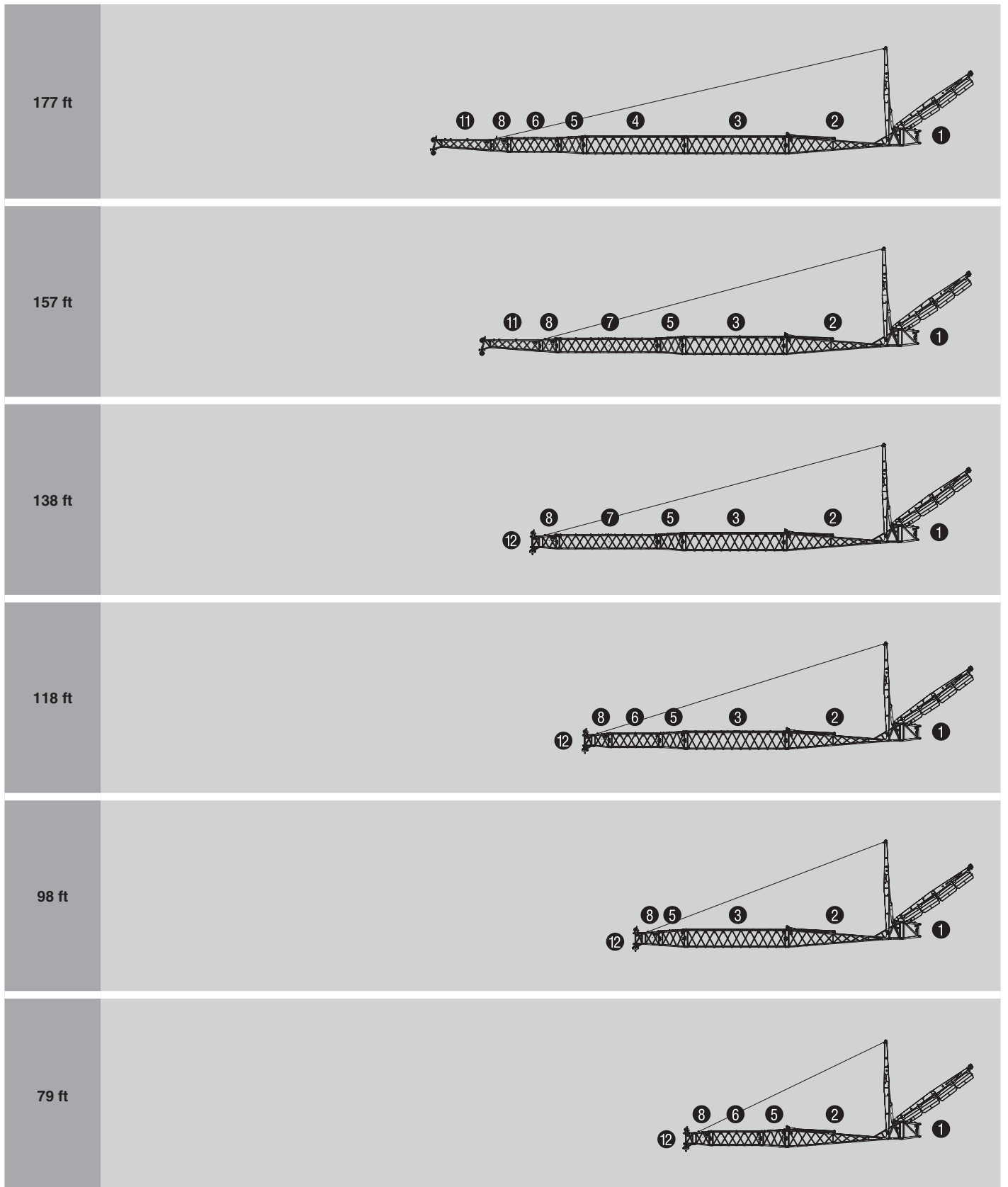




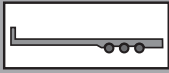


PRELIMINARY

SAE

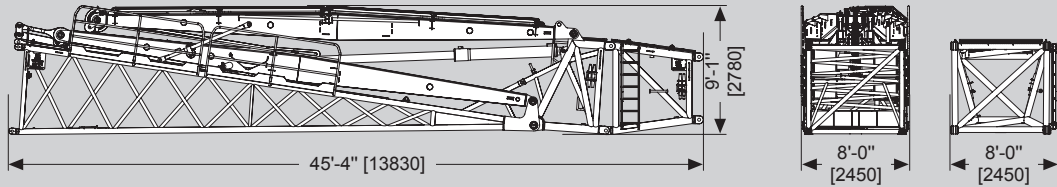


LJ Transport example + dimensions (ft, mm) / LJ Ejemplo de transportes + dimensiones (ft, mm)



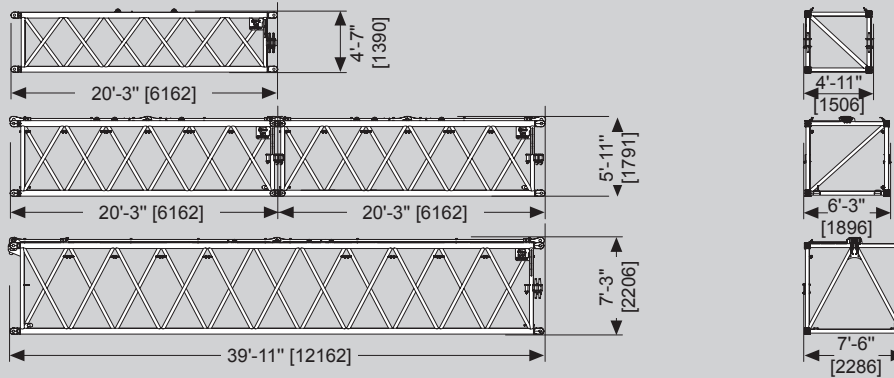
PRELIMINARY

Transport 1



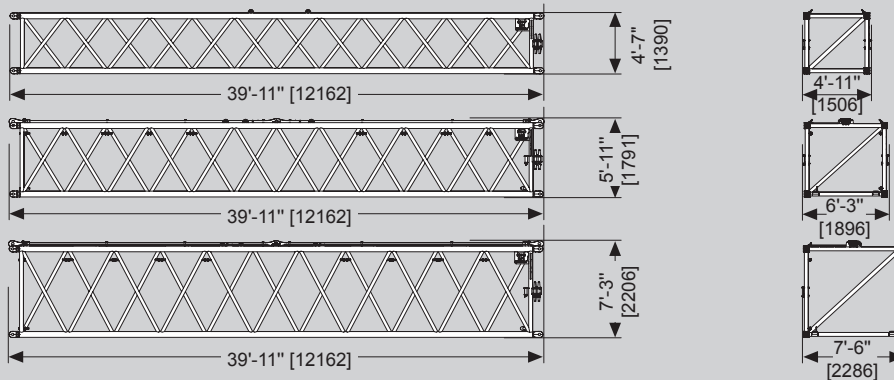
1+2

Transport 2



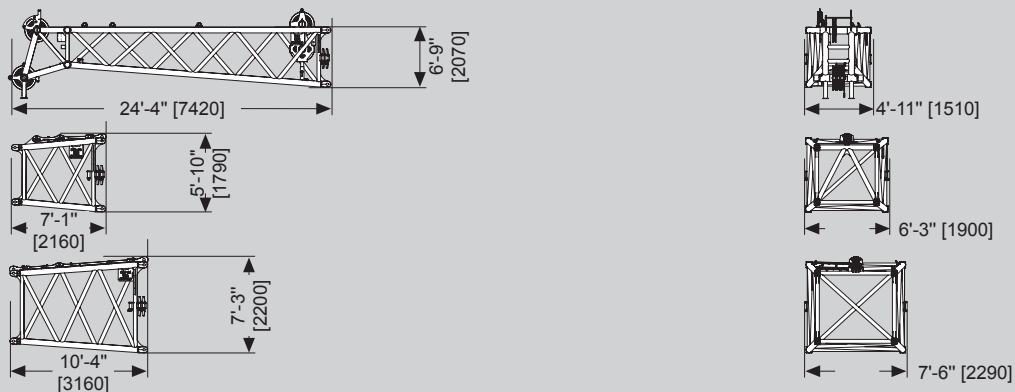
9+2x6+3

Transport 3



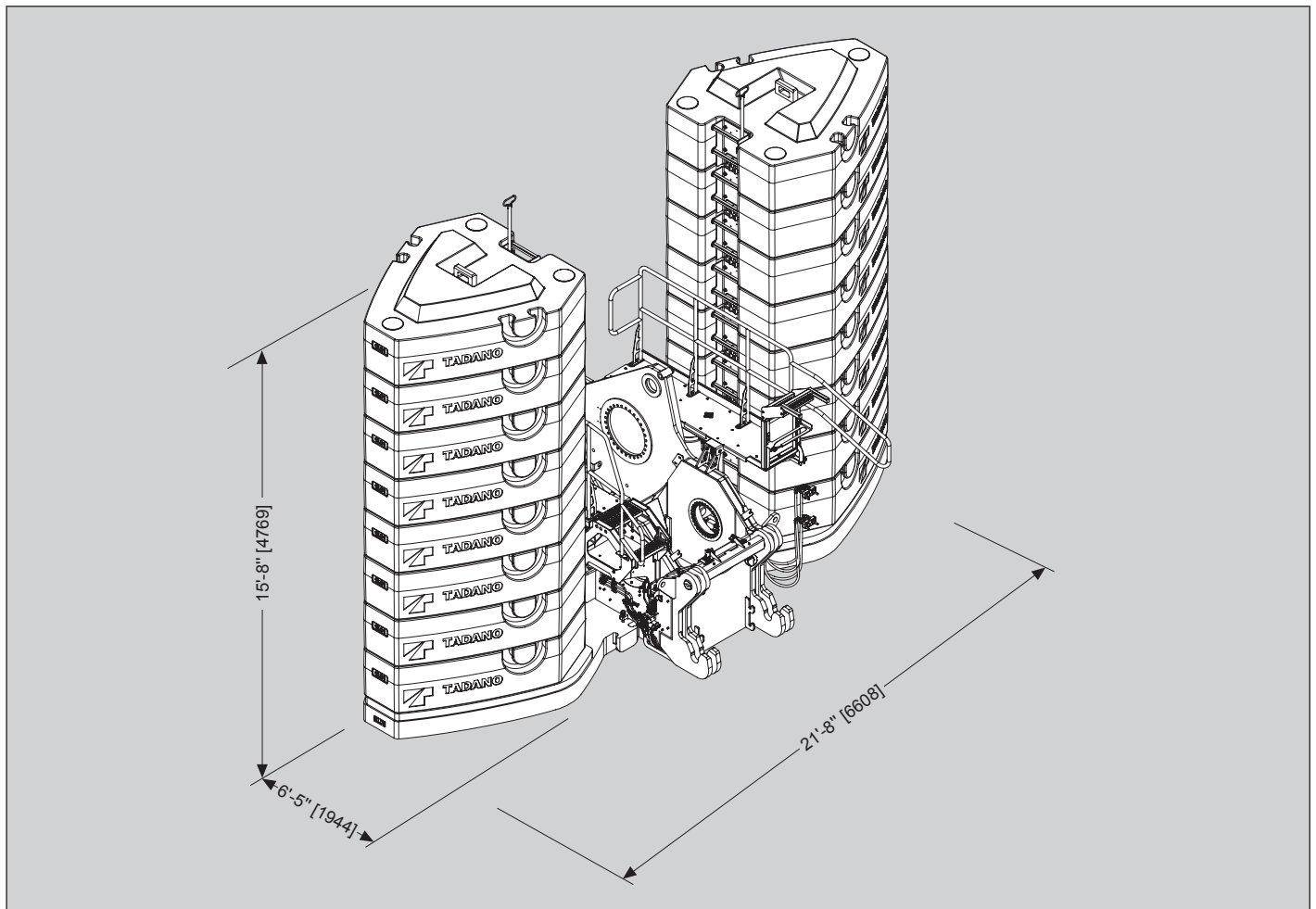
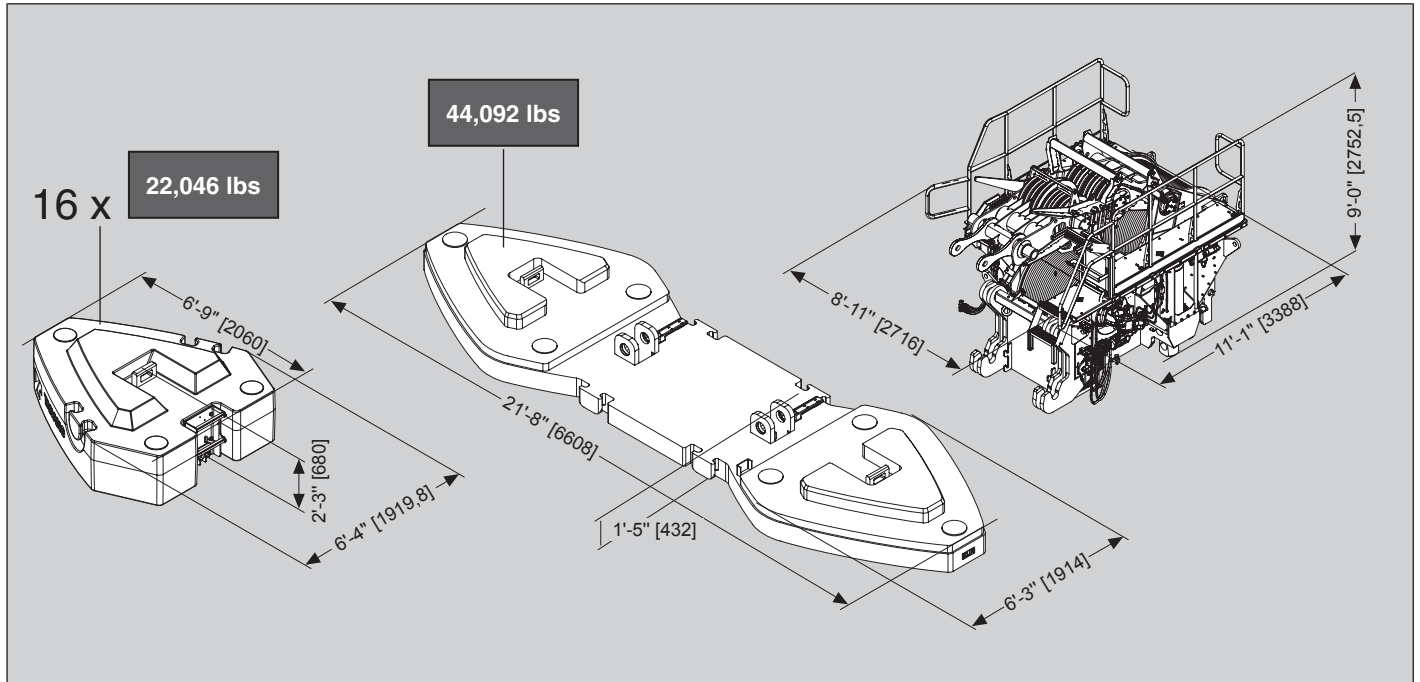
10+7+4

Transport 4

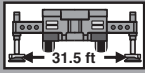
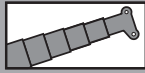


11+8+5

PRELIMINARY



Lifting heights / Alturas de elevación

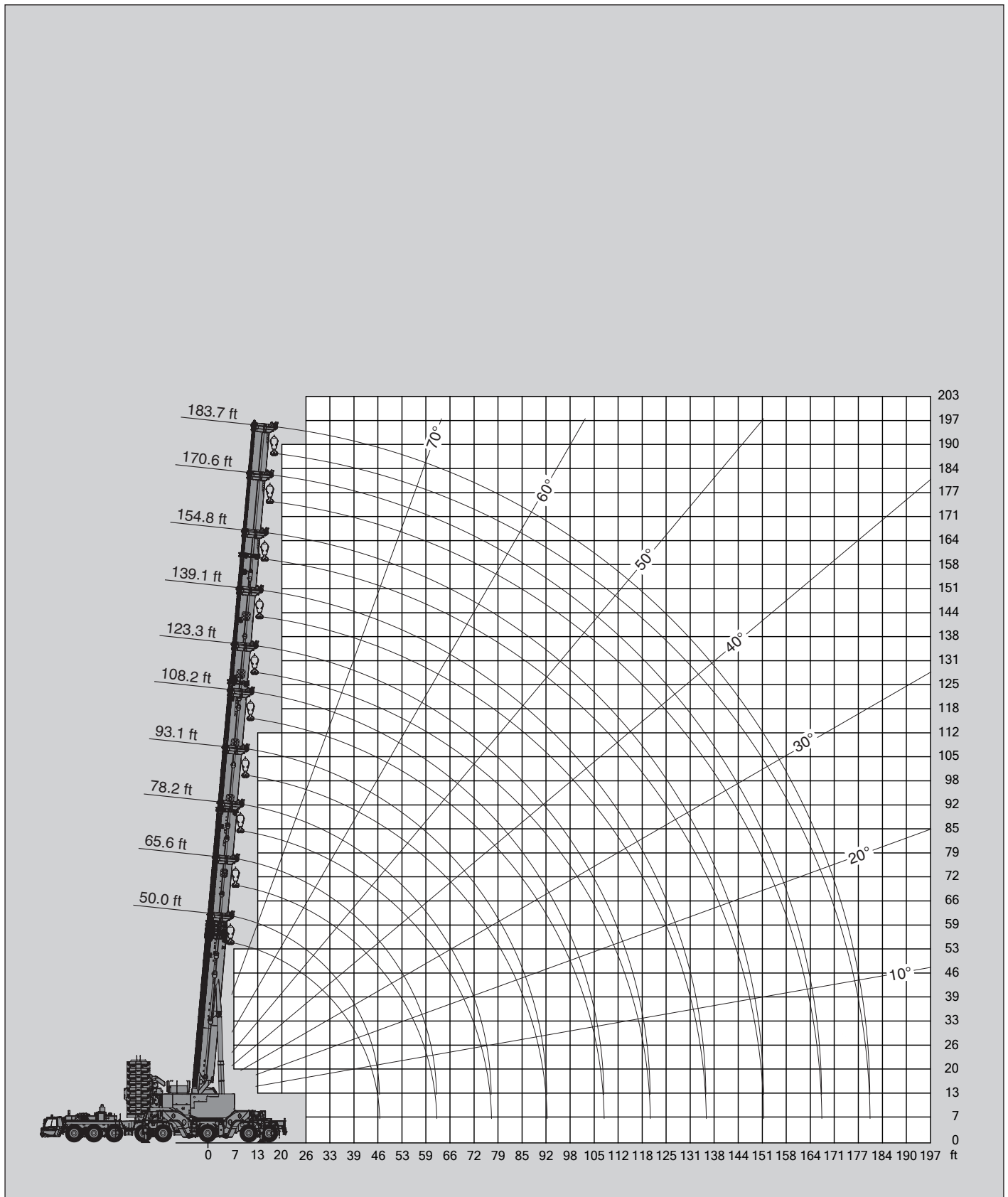


396,800 lbs

PRELIMINARY

lbs x 1,000

SAE









396,800 lbs

PRELIMINARY

lbs x 1,000

SAE

ft	50.0 ft*	50.0 ft	65.6 ft	78.2 ft	93.1 ft	108.2 ft	123.3 ft	139.1 ft	154.8 ft	170.6 ft	183.7 ft
11.5	1323.00										
12	1240.70	619.40									
14	1043.70	619.40	619.40								
16	970.80	619.40	619.40	616.60							
18	871.90	599.00	586.50	576.10	564.40						
20	774.70	571.30	545.80	528.40	517.00	506.70					
24	629.30	498.10	474.10	457.30	446.40	436.70	430.20				
28	525.50	440.60	419.00	403.00	392.80	383.60	377.50	371.20			
32	450.00	392.90	375.10	360.20	350.60	341.90	336.30	330.70	308.80		
36	391.40	351.00	338.90	325.40	316.60	308.40	303.10	298.10	282.80	257.40	224.70
40	318.80	286.50	308.60	297.10	289.10	281.50	276.70	271.90	261.50	242.30	217.30
48			256.80	251.60	245.90	239.40	235.40	231.20	225.60	210.90	192.20
56			204.30	214.70	212.30	207.50	204.20	200.70	196.90	184.60	171.60
64				181.20	184.80	182.00	179.80	176.80	174.30	163.50	154.60
72				143.50	160.80	160.90	159.80	157.60	155.80	145.60	138.80
80					136.80	142.70	143.30	141.90	140.40	132.00	125.30
88						125.30	128.70	128.50	127.40	119.80	113.40
96						106.90	115.30	116.60	116.60	109.50	103.50
104							102.10	105.70	106.90	100.50	95.30
112							82.30	95.30	98.20	92.80	87.80
120								84.50	89.80	86.00	81.40
128								71.50	81.50	80.10	75.40
136									72.70	74.40	70.10
144									62.20	69.40	65.60
152										63.40	61.40
160											57.40
168											52.70

\* with heavy duty equipment / Con equipo adicional carga pesada





352,700 lbs

PRELIMINARY

lbs x 1,000

SAE

ft	50.0 ft	65.6 ft	78.2 ft	93.1 ft	108.2 ft	123.3 ft	139.1 ft	154.8 ft	170.6 ft	183.7 ft
12	619.40									
14	619.40	619.40								
16	619.40	619.40	616.60							
18	599.00	586.50	576.10	564.40						
20	571.30	545.80	528.40	517.00	506.70					
24	498.10	474.10	457.30	446.40	436.70	430.20				
28	440.60	419.00	403.00	392.80	383.60	377.50	371.20			
32	392.90	375.10	360.20	350.60	341.90	336.30	330.70	308.80		
36	351.00	338.90	325.40	316.60	308.40	303.10	298.10	282.80	257.40	224.70
40	286.50	308.60	297.10	289.10	281.50	276.70	271.90	261.50	242.30	217.30
48		256.80	251.60	245.90	239.40	235.40	231.20	225.60	210.90	192.20
56		204.30	214.70	212.30	207.50	204.20	200.70	196.90	184.60	171.60
64			181.20	184.80	182.00	179.80	176.80	174.30	163.50	154.60
72			143.50	160.80	160.90	159.80	157.60	155.80	145.60	138.80
80				136.80	142.70	143.30	141.90	140.40	132.00	125.30
88					125.30	128.70	128.50	127.40	119.80	113.40
96					106.90	114.60	115.70	116.60	109.50	103.50
104						101.00	102.50	105.20	100.50	95.30
112						82.30	91.10	93.80	92.80	87.80
120							81.70	84.30	85.70	81.40
128							71.00	76.00	78.10	75.40
136								68.90	70.90	70.10
144								62.00	64.60	64.40
152									59.30	59.00
160										54.20
168										50.00

\* with heavy duty equipment / Con equipo adicional carga pesada

## Lifting capacities / Capacidades de elevación






**264,500 lbs**
**PRELIMINARY**

lbs x 1,000

**SAE**

 ft	50.0 ft	65.6 ft	78.2 ft	93.1 ft	108.2 ft	123.3 ft	139.1 ft	154.8 ft	170.6 ft	183.7 ft
12	619.40									
14	619.40									
16	619.40	619.40								
18	595.40	586.50	616.60							
20	563.90	545.80	576.10	564.40						
24	489.40	474.10	528.40	517.00	506.70					
28	430.00	419.00	457.30	446.40	436.70	430.20				
32	381.70	375.10	403.00	392.80	383.60	377.50	371.20			
36	341.90	338.10	360.20	350.60	341.90	336.30	330.70	308.80		
40	283.60	304.50	325.40	316.60	308.40	303.10	298.10	282.80	257.40	224.70
48		245.60	296.50	289.10	281.50	276.70	271.90	261.50	242.30	217.30
56		199.60	242.90	243.40	239.00	235.40	231.20	225.60	210.90	192.20
64			197.00	198.30	199.40	199.30	196.10	193.50	184.60	171.60
72			157.60	159.00	160.10	162.90	163.70	163.30	161.30	154.60
80			128.60	129.50	130.40	133.50	135.50	138.70	139.10	136.60
88				108.60	109.20	112.00	114.00	117.00	119.50	119.00
96					92.80	95.40	97.10	100.20	102.50	102.70
104					79.80	82.10	83.70	86.80	89.00	89.00
112						71.30	72.90	75.80	78.00	78.00
120						58.70	63.90	66.50	68.70	68.70
128							56.60	59.20	61.20	61.10
136							50.50	52.80	54.70	54.60
144								47.20	49.20	49.00
152								42.70	44.30	44.00
160									40.20	39.80
168										36.10
										32.90

\* with heavy duty equipment / Con equipo adicional carga pesada






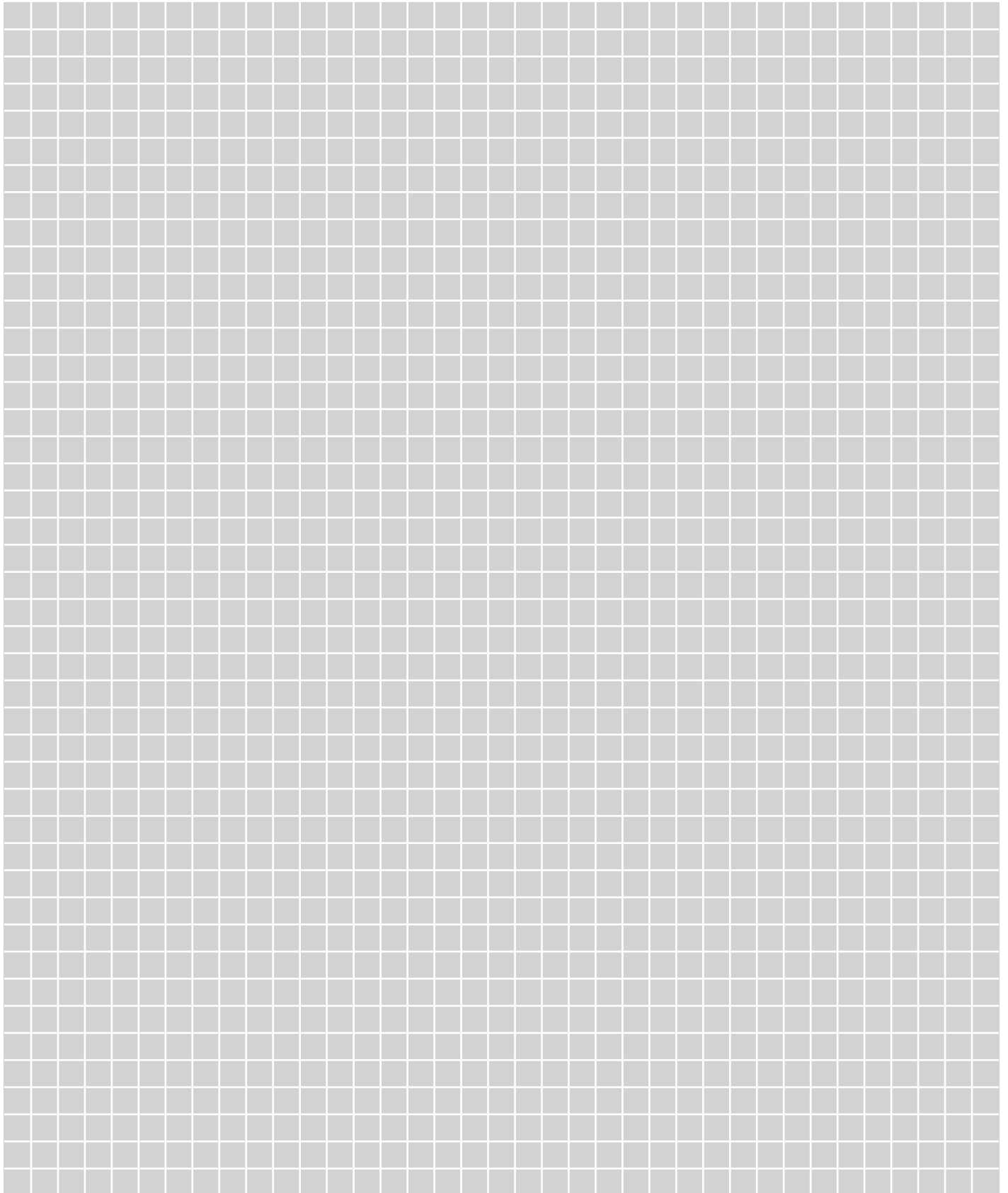
**0 lbs**
**PRELIMINARY**

lbs x 1,000

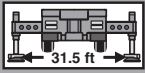
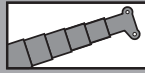
**SAE**

 ft	50.0 ft	65.6 ft	78.2 ft	93.1 ft	108.2 ft	123.3 ft	139.1 ft	154.8 ft	170.6 ft	183.7 ft
12	619.40									
14	595.40	594.00								
16	539.60	509.90	453.40							
18	426.70	375.60	317.30	280.40						
20	308.60	247.00	207.20	185.00	166.40					
24	186.60	154.50	132.90	122.60	113.20	108.20				
28	126.90	105.90	91.50	86.20	81.10	79.20	76.70			
32	91.90	76.10	65.40	62.70	59.70	59.60	58.50	59.20		
36	69.20	56.10	47.50	46.20	44.60	45.40	45.20	46.50	47.20	43.50
40	48.20	42.40	35.10	34.70	33.70	35.10	35.60	37.40	38.30	36.60
48		23.40	18.00	18.40	18.30	20.40	21.40	23.80	25.50	24.30
56					7.90	10.30	11.70	14.40	16.40	15.50
64								7.60	9.70	9.10

\* with heavy duty equipment / Con equipo adicional carga pesada



## Lifting heights / Alturas de elevación

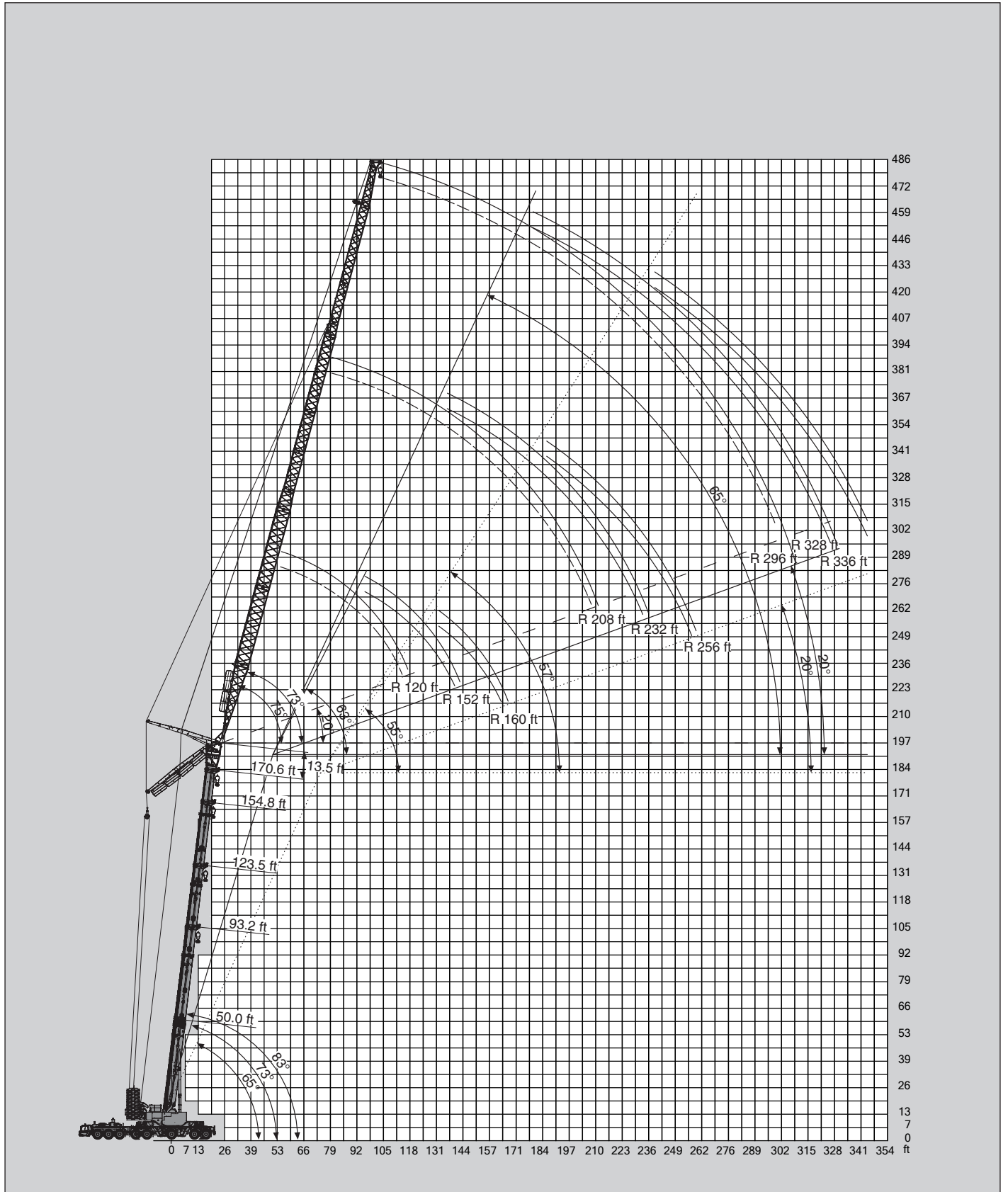


396,800 lbs

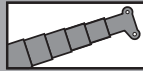
PRELIMINARY

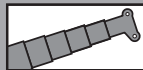
lbs x 1,000

SAE





	50.0 ft + 13.5 ft + 98.4 ft			93.2 ft + 13.5 ft + 98.4 ft			123.5 ft + 13.5 ft + 98.4 ft			154.8 ft + 13.5 ft + 98.4 ft			170.6 ft + 13.5 ft + 98.4 ft		
	83°	73°	65°	83°	73°	65°	83°	73°	65°	83°	73°	65°	83°	73°	65°
56	235.20														
64	208.50			207.50											
72	187.60			181.70			178.40			136.10					
80	167.10	160.40		161.70			158.70			128.50				104.90	
88	150.30	144.30		145.30			142.50			121.80				99.70	
96	133.20	130.80	126.30	131.60	119.90		129.00			116.30				95.00	
104		119.30	115.20	120.10	109.70		117.70			111.80				91.00	
112		109.40	105.70		100.70	93.00	107.90	95.60		105.40				87.80	
120			97.40		92.80	85.70		88.20		91.70	84.00			81.60	
128						79.30		81.60			77.70				68.50
136						73.70		75.70			72.10				65.60
144											67.00				63.10
152												58.10			61.20
160												50.70			51.90
															48.50

	50.0 ft + 13.5 ft + 196.8 ft			93.2 ft + 13.5 ft + 196.8 ft			123.5 ft + 13.5 ft + 196.8 ft			154.8 ft + 13.5 ft + 196.8 ft			170.6 ft + 13.5 ft + 196.8 ft			
	83°	73°	65°	83°	73°	65°	83°	73°	65°	83°	73°	65°	83°	73°	65°	
72	133.80															
80	132.40			109.90												
88	130.90			109.60			91.70									
96	128.90			109.20			91.70									
104	120.20			108.90			91.70			63.40						
112	110.10			106.20			91.70			63.40				51.80		
120	101.50	96.50		97.80			91.50			63.20				51.70		
128	94.00	89.30		90.50			88.40			62.80				51.50		
136	87.40	82.90		84.00			82.00			62.40				51.40		
144	81.30	77.10		78.20	69.80		76.50			61.90				51.10		
152	76.20	72.10	69.00	73.20	65.30		71.40	61.30		59.90				50.90		
160	71.50	67.60	64.60	68.50	61.10		66.90	57.20		58.10				50.80		
168	67.20	63.40	60.70	64.30	57.20		62.80	53.60		56.60	50.00			50.30		
176	63.30	59.80	57.10	60.60	53.80		59.10	50.20		54.90	47.20			49.10	42.70	
184	59.80	56.30	53.60	57.20	50.60	45.30	55.60	47.30		52.50	44.40			47.80	40.90	
192		53.30	50.70	54.00	47.70	42.60	52.70	44.60	38.10	47.20	41.80			46.70	39.20	
200			48.10		45.10	40.30		42.00	35.90	41.50	39.40			45.20	37.70	
208			45.60		42.70	38.00		39.80	33.80	35.60	37.10			42.50	35.70	
216						36.00		37.70	31.80		35.00	28.20			33.80	
224									30.00		33.00	26.50			31.90	24.90
232									28.40		31.30	25.00			30.20	23.30
240												23.50				21.70
248																20.30
256																18.90

## Lifting capacities / Capacidades de elevación







**396,800 lbs**

**PRELIMINARY**

lbs x 1,000


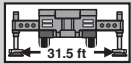

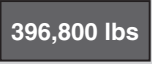
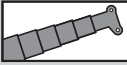


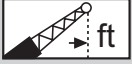
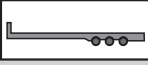
**SAE**

 ft	50.0 ft + 13.5 ft + 295.2 ft			93.2 ft + 13.5 ft + 295.2 ft			123.5 ft + 13.5 ft + 295.2 ft			154.8 ft + 13.5 ft + 295.2 ft			170.6 ft + 13.5 ft + 295.2 ft		
	83°	73°	65°	83°	73°	65°	83°	73°	65°	83°	73°	65°	83°	73°	65°
112	37.80			35.00											
120	37.10			34.40			31.00								
128	36.40			34.00			30.70			24.80					
136	35.80			33.60			30.40			24.60			20.70		
144	35.00			33.00			30.20			24.60			20.70		
152	34.30			32.50			29.90			24.40			20.70		
160	33.70	33.70		32.20			29.60			24.40			20.70		
168	33.20	33.20		31.70			29.40			24.30			20.70		
176	32.50	32.50		31.30			29.10			24.20			20.70		
184	31.90	31.90		30.80	30.40		28.80			24.20			20.70		
192	31.40	31.40		30.30	30.00		28.30			23.90			20.50		
200	30.80	30.80		29.80	29.60		28.10	27.70		23.70			20.40		
208	30.30	30.30		29.40	29.30		27.80	27.50		23.60			20.30		
216	29.60	29.70	29.50	29.00	29.10		27.40	27.40		23.40			20.20		
224	29.00	29.20	29.00	28.50	28.80		27.00	27.30		23.30	22.90		20.20		
232	28.50	28.80	28.60	28.00	28.40		26.80	27.10		23.20	22.90		20.10		
240	27.90	28.40	28.20	27.50	28.00	25.90	26.40	26.70		23.00	22.90	22.90	19.90	19.30	
248	27.40	27.80	27.80	27.10	27.80	24.30	26.00	25.90		22.70	22.90		19.80	19.20	
256	26.70	27.40	27.40	26.60	26.70	22.90	25.60	24.50	19.10	22.50	22.00		19.70	18.80	
264	26.10	27.00	26.90	26.10	25.50	21.50	25.30	23.10	17.80	22.40	20.90		19.60	18.30	
272	25.50	26.40	26.10	25.70	24.10	20.30	25.00	21.70	16.70	22.30	19.50		19.60	17.70	
280		25.90	25.00	25.20	22.90	19.10	24.60	20.40	15.70	22.10	18.30	12.70	19.50	17.00	
288		25.40	23.70	24.70	21.70	17.90	24.20	19.20	14.60	22.00	17.20	11.70	19.40	16.30	
296			22.60		20.50	17.00	23.60	18.20	13.60	21.10	16.20	10.80	18.00	15.30	9.40
304						16.00		17.10	12.70		15.20	9.90		14.30	8.60
312						15.10		16.00	11.80		14.40	9.10		13.50	7.70
320									10.80		13.50	8.30		12.60	7.00
328									9.90		12.50	7.70		11.60	6.40
336											7.00				5.70

## Technical data / Los datos técnica

Lifting capacity Capacidad de elevación	<b>max 660 tons</b>
Telescopic boom Pluma telescópica	<b>50.0 ft - 183.7 ft 15,3 - 56 m</b>
Boom extension LJ Plumin LJ	<b>79 ft - 295.2 ft 24 m - 90 m</b>
Sheave height Altura polea de cabezal	<b>max. 482 ft max. 147 m</b>
Radius Radio	<b>max. 341 ft max. 104 m</b>
Engine Motor	<b>Mercedes Benz, OM 473 LA, 626 HP (460 kW) + Mercedes Benz, OM 936 LA, 354 HP (260 kW)</b>
Transmission Transmisión	<b>ZF TC Tronic (Heavy Duty)</b>
Drive Transmisión	<b>16 x 8 x 16</b>
Speed Velocidad	<b>max. 53 m/ph max. 85 km/h</b>

## Symbols / Glosario de simbolos

	Tires / Size Neumáticos / Tamaño de ruedas		Outriggers Estabilizadores
	Slewing system Sistema de giro		Counterweight Contrapeso
	Telescopic boom Pluma telescópica		Radius Radio
	Boom extension Plumin		Radius Radio
	Low load trailer Remolque de plataforma baja		



**TADANO AMERICA Corporation**

4242 West Greens Road, Houston, TX 77066

Phone: 281-869-0030 Fax: 281-869-0040

www.tadanoamerica.com E-mail: tac.sales@tadano.com

Parts Hotline: 281-869-0033 Service Hotline: 281-869-5925