



LOAD CHARTS for Use in CCO Written Examinations

AMERICAN 5300

This load chart has been adapted from the original manufacturer's load chart for use in CCO written examinations.

It is not to be used for any other purpose.



American Crane Corporation
Wilmington, North Carolina 28412

Model 5300 Crawler Crane - Ratings In Pounds
46H Angle Boom - 4 Sheve
40,000 Pound Counterweight

| BOOM LENGTH | RADIUS IN FEET | BOOM ANGLE DEGREES | SIDE FRAMES RETRACTED | SIDE FRAMES EXTENDED | FEET FROM BOOM POINT TO GROUND |
|-------------|----------------|--------------------|-----------------------|----------------------|--------------------------------|
| 40' | 10 | 80.9 | | 140,000* | 45 |
| | 12 | 77.9 | | 140,000* | 44 |
| | 15 | 73.5 | | 106,010 | 44 |
| | 20 | 65.9 | | 65,350 | 42 |
| | 25 | 57.7 | | 46,900 | 39 |
| | 30 | 48.8 | | 36,390 | 35 |
| | 35 | 38.4 | | 29,570 | 30 |
| | 40 | 24.7 | | 24,800 | 22 |
| 45' | 11 | 80.6 | | 140,000* | 50 |
| | 12 | 79.3 | | 140,000* | 49 |
| | 15 | 75.4 | | 105,950 | 49 |
| | 20 | 68.7 | | 65,250 | 47 |
| | 25 | 61.7 | | 46,800 | 45 |
| | 30 | 54.2 | | 36,280 | 42 |
| | 35 | 45.8 | | 29,450 | 37 |
| | 40 | 36.1 | | 24,660 | 32 |
| 50' | 12 | 80.4 | | 140,000* | 54 |
| | 15 | 76.9 | | 105,930 | 54 |
| | 20 | 70.9 | | 65,220 | 52 |
| | 25 | 64.7 | | 46,760 | 50 |
| | 30 | 58.2 | | 36,240 | 48 |
| | 35 | 51.2 | | 29,400 | 44 |
| | 40 | 43.4 | | 24,610 | 39 |
| | 45 | 34.2 | | 21,090 | 33 |
| 55' | 13 | 80.2 | | 140,000* | 59 |
| | 15 | 78.1 | | 105,860 | 59 |
| | 20 | 72.7 | | 65,120 | 58 |
| | 25 | 67.2 | | 46,650 | 56 |
| | 30 | 61.4 | | 36,120 | 53 |
| | 35 | 55.2 | | 29,280 | 50 |
| | 40 | 48.6 | | 24,490 | 46 |
| | 45 | 41.2 | | 20,960 | 41 |
| 50 | 32.6 | 13,250 | 18,270 | 35 | |
| 55 | 21.0 | 11,680 | 16,110 | 25 | |
| 60' | 14 | 80.1 | | 120,670 | 64 |
| | 15 | 79.1 | | 105,840 | 64 |
| | 20 | 74.2 | | 65,090 | 63 |
| | 25 | 69.2 | | 46,620 | 61 |
| | 30 | 63.9 | | 36,100 | 59 |
| | 35 | 58.5 | | 29,240 | 56 |
| | 40 | 52.7 | | 24,450 | 53 |
| | 45 | 46.4 | 15,120 | 20,920 | 49 |
| | 50 | 39.4 | 13,220 | 18,240 | 43 |
| | 55 | 31.1 | 11,650 | 16,080 | 36 |
| | 60 | 20.1 | 10,370 | 14,320 | 26 |



American Crane Corporation
Wilmington, North Carolina 28412

Model 5300 Crawler Crane - Ratings In Pounds
46H Angle Boom - 4 Sheve
40,000 Pound Counterweight

| BOOM LENGTH | RADIUS IN FEET | BOOM ANGLE DEGREES | SIDE FRAMES RETRACTED | SIDE FRAMES EXTENDED | FEET FROM BOOM POINT TO GROUND |
|-------------|----------------|--------------------|-----------------------|----------------------|--------------------------------|
| 65' | 14 | 80.8 | | 120,600 | 69 |
| | 15 | 79.9 | | 105,760 | 69 |
| | 20 | 75.4 | | 65,000 | 68 |
| | 25 | 70.8 | | 46,500 | 67 |
| | 30 | 66.1 | | 35,980 | 65 |
| | 35 | 61.2 | | 29,130 | 62 |
| | 40 | 56.0 | | 24,330 | 59 |
| | 45 | 50.5 | 14,980 | 20,790 | 55 |
| | 50 | 44.5 | 13,090 | 18,120 | 51 |
| | 55 | 37.8 | 11,520 | 15,960 | 45 |
| | 60 | 29.9 | 10,240 | 14,200 | 38 |
| | 65 | 19.3 | 9,160 | 12,740 | 27 |
| 70' | 15 | 80.7 | | 105,710 | 74 |
| | 20 | 76.5 | | 64,930 | 73 |
| | 25 | 72.2 | | 46,430 | 72 |
| | 30 | 67.9 | | 35,910 | 70 |
| | 35 | 63.4 | | 29,050 | 68 |
| | 40 | 58.7 | 17,390 | 24,250 | 65 |
| | 45 | 53.8 | 14,890 | 20,710 | 62 |
| | 50 | 48.5 | 13,010 | 18,050 | 58 |
| | 55 | 42.8 | 11,440 | 15,880 | 53 |
| | 60 | 36.4 | 10,150 | 14,120 | 47 |
| | 65 | 28.8 | 9,080 | 12,660 | 39 |
| | 70 | 18.6 | 8,170 | 11,440 | 27 |
| 75' | 16 | 80.5 | | 93,990 | 79 |
| | 20 | 77.4 | | 64,820 | 78 |
| | 25 | 73.5 | | 46,320 | 77 |
| | 30 | 69.4 | | 35,800 | 75 |
| | 35 | 65.3 | | 28,930 | 73 |
| | 40 | 61.0 | 17,250 | 24,120 | 71 |
| | 45 | 56.5 | 14,750 | 20,580 | 68 |
| | 50 | 51.8 | 12,880 | 17,930 | 64 |
| | 55 | 46.8 | 11,300 | 15,750 | 60 |
| | 60 | 41.3 | 10,020 | 14,000 | 55 |
| | 65 | 35.1 | 8,940 | 12,540 | 48 |
| | 70 | 27.8 | 8,030 | 11,310 | 40 |
| | 75 | 17.9 | 7,260 | 10,270 | 28 |
| 80' | 17 | 80.4 | | 84,510 | 84 |
| | 20 | 78.2 | | 64,790 | 83 |
| | 25 | 74.5 | | 46,290 | 82 |
| | 30 | 70.8 | | 35,760 | 81 |
| | 35 | 66.9 | | 28,900 | 79 |
| | 40 | 63.0 | 17,220 | 24,100 | 76 |
| | 45 | 58.9 | 14,710 | 20,540 | 74 |
| | 50 | 54.6 | 12,850 | 17,900 | 70 |
| | 55 | 50.1 | 11,270 | 15,730 | 66 |
| | 60 | 45.2 | 9,990 | 13,970 | 62 |
| | 65 | 39.9 | 8,920 | 12,510 | 56 |



American Crane Corporation
Wilmington, North Carolina 28412

Model 5300 Crawler Crane - Ratings In Pounds
46H Angle Boom - 4 Sheve
40,000 Pound Counterweight

| BOOM LENGTH | RADIUS IN FEET | BOOM ANGLE DEGREES | SIDE FRAMES RETRACTED | SIDE FRAMES EXTENDED | FEET FROM BOOM POINT TO GROUND |
|-------------|----------------|--------------------|-----------------------|----------------------|--------------------------------|
| 80' | 70 | 34.0 | 8,010 | 11,290 | 50 |
| | 75 | 26.9 | 7,230 | 10,240 | 41 |
| | 80 | 17.4 | 6,560 | 9,340 | 29 |
| 85' | 17 | 81.0 | | 84,420 | 89 |
| | 20 | 78.9 | | 64,690 | 89 |
| | 25 | 75.5 | | 46,180 | 87 |
| | 30 | 71.9 | | 35,660 | 86 |
| | 35 | 68.4 | 20,400 | 28,780 | 84 |
| | 40 | 64.7 | 17,080 | 23,970 | 82 |
| | 45 | 60.9 | 14,580 | 20,420 | 79 |
| | 50 | 57.0 | 12,720 | 17,780 | 76 |
| | 55 | 52.8 | 11,150 | 15,610 | 73 |
| | 60 | 48.5 | 9,860 | 13,850 | 69 |
| | 65 | 43.8 | 8,790 | 12,390 | 64 |
| | 70 | 38.7 | 7,880 | 11,160 | 58 |
| | 75 | 32.9 | 7,100 | 10,120 | 51 |
| 80 | 26.1 | 6,420 | 9,210 | 42 | |
| 85 | 16.8 | 5,830 | 8,430 | 30 | |
| 90' | 18 | 80.8 | | 76,670 | 94 |
| | 20 | 79.5 | | 64,600 | 94 |
| | 25 | 76.3 | | 46,090 | 93 |
| | 30 | 73.0 | | 35,570 | 91 |
| | 35 | 69.2 | 20,310 | 28,700 | 90 |
| | 40 | 66.2 | 16,980 | 23,880 | 87 |
| | 45 | 62.6 | 14,480 | 20,330 | 85 |
| | 50 | 59.0 | 12,630 | 17,700 | 82 |
| | 55 | 55.2 | 11,060 | 15,530 | 79 |
| | 60 | 51.2 | 9,770 | 13,760 | 75 |
| | 65 | 47.0 | 8,700 | 12,300 | 71 |
| | 70 | 42.5 | 7,790 | 11,080 | 66 |
| | 75 | 37.5 | 7,000 | 10,020 | 60 |
| 80 | 32.0 | 6,320 | 9,120 | 53 | |
| 85 | 25.3 | 5,740 | 8,340 | 44 | |
| 90 | 16.4 | 5,220 | 7,650 | 31 | |
| 95' | 19 | 80.7 | | 70,050 | 99 |
| | 20 | 80.1 | | 64,500 | 99 |
| | 25 | 77.0 | | 45,980 | 98 |
| | 30 | 73.9 | | 35,460 | 96 |
| | 35 | 70.7 | 20,170 | 28,570 | 95 |
| | 40 | 67.5 | 16,850 | 23,760 | 93 |
| | 45 | 64.2 | 14,350 | 20,210 | 91 |
| | 50 | 60.8 | 12,500 | 17,570 | 88 |
| | 55 | 57.3 | 10,930 | 15,410 | 85 |
| | 60 | 53.6 | 9,640 | 13,640 | 82 |
| | 65 | 49.8 | 8,560 | 12,180 | 78 |
| | 70 | 45.7 | 7,660 | 10,950 | 73 |
| | 75 | 41.3 | 6,870 | 9,890 | 68 |
| 80 | 36.5 | 6,190 | 8,990 | 62 | |



American Crane Corporation
Wilmington, North Carolina 28412

Model 5300 Crawler Crane - Ratings In Pounds
46H Angle Boom - 4 Sheve
40,000 Pound Counterweight

| BOOM LENGTH | RADIUS IN FEET | BOOM ANGLE DEGREES | SIDE FRAMES RETRACTED | SIDE FRAMES EXTENDED | FEET FROM BOOM POINT TO GROUND |
|-------------|----------------|--------------------|-----------------------|----------------------|--------------------------------|
| 95' | 85 | 31.1 | 5,600 | 8,200 | 54 |
| | 90 | 24.6 | 5,080 | 7,510 | 45 |
| | 95 | 15.9 | 4,610 | 6,900 | 31 |
| 100' | 20 | 80.6 | | 64,420 | 104 |
| | 25 | 77.7 | | 45,900 | 103 |
| | 30 | 74.7 | 24,710 | 35,380 | 102 |
| | 35 | 71.7 | 20,100 | 28,500 | 100 |
| | 40 | 68.7 | 16,770 | 23,680 | 98 |
| | 45 | 65.6 | 14,260 | 20,120 | 96 |
| | 50 | 62.4 | 12,430 | 17,510 | 94 |
| | 55 | 59.1 | 10,860 | 15,330 | 91 |
| | 60 | 55.7 | 9,560 | 13,560 | 88 |
| | 65 | 52.2 | 8,490 | 12,110 | 84 |
| | 70 | 48.4 | 7,580 | 10,880 | 80 |
| | 75 | 44.5 | 6,790 | 9,820 | 75 |
| | 80 | 40.2 | 6,120 | 8,920 | 70 |
| | 85 | 35.6 | 5,530 | 8,130 | 63 |
| 90 | 30.3 | 5,000 | 7,440 | 56 | |
| 95 | 24.0 | 4,540 | 6,820 | 46 | |
| 100 | 15.5 | 4,130 | 6,280 | 32 | |
| 105' | 21 | 80.5 | | 59,540 | 109 |
| | 25 | 78.3 | | 45,800 | 108 |
| | 30 | 75.5 | 24,590 | 35,280 | 107 |
| | 35 | 72.6 | 19,960 | 28,380 | 105 |
| | 40 | 69.7 | 16,630 | 23,560 | 104 |
| | 45 | 66.8 | 14,120 | 19,990 | 102 |
| | 50 | 63.8 | 12,300 | 17,390 | 99 |
| | 55 | 60.7 | 10,720 | 15,210 | 97 |
| | 60 | 57.5 | 9,440 | 13,450 | 94 |
| | 65 | 54.2 | 8,360 | 11,980 | 90 |
| | 70 | 50.8 | 7,450 | 10,750 | 87 |
| | 75 | 47.2 | 6,660 | 9,700 | 82 |
| | 80 | 43.3 | 5,980 | 8,790 | 77 |
| | 85 | 39.2 | 5,390 | 8,000 | 72 |
| 90 | 34.7 | 4,870 | 7,310 | 65 | |
| 95 | 29.5 | 4,410 | 6,690 | 57 | |
| 100 | 23.4 | 3,990 | 6,140 | 47 | |
| 105 | 15.1 | 3,620 | 5,660 | 33 | |
| 110' | 21 | 80.9 | | 59,460 | 114 |
| | 25 | 78.8 | | 45,710 | 113 |
| | 30 | 76.1 | 24,490 | 35,190 | 112 |
| | 35 | 73.4 | 19,860 | 28,290 | 111 |
| | 40 | 70.7 | 16,530 | 23,460 | 109 |
| | 45 | 67.9 | 14,030 | 19,900 | 107 |
| | 50 | 65.1 | 12,200 | 17,300 | 105 |
| | 55 | 62.2 | 10,630 | 15,120 | 102 |
| | 60 | 59.2 | 9,340 | 13,360 | 100 |
| 65 | 56.1 | 8,260 | 11,890 | 96 | |



American Crane Corporation
Wilmington, North Carolina 28412

Model 5300 Crawler Crane - Ratings In Pounds
46H Angle Boom - 4 Sheve
40,000 Pound Counterweight

| BOOM LENGTH | RADIUS IN FEET | BOOM ANGLE DEGREES | SIDE FRAMES RETRACTED | SIDE FRAMES EXTENDED | FEET FROM BOOM POINT TO GROUND |
|-------------|----------------|--------------------|-----------------------|----------------------|--------------------------------|
| 110' | 70 | 52.9 | 7,350 | 10,660 | 93 |
| | 75 | 49.6 | 6,560 | 9,600 | 89 |
| | 80 | 46.0 | 5,890 | 8,700 | 84 |
| | 85 | 42.3 | 5,300 | 7,910 | 79 |
| | 90 | 38.3 | 4,770 | 7,220 | 73 |
| | 95 | 33.9 | 4,300 | 6,590 | 66 |
| | 100 | 28.8 | 3,890 | 6,050 | 58 |
| | 105 | 22.9 | 3,520 | 5,560 | 48 |
| 115' | 110 | 14.8 | 3,190 | 5,120 | 33 |
| | 22 | 80.8 | | 55,350 | 119 |
| | 25 | 79.3 | | 45,590 | 118 |
| | 30 | 76.8 | 24,350 | 35,070 | 117 |
| | 35 | 74.2 | 19,720 | 28,170 | 116 |
| | 40 | 71.6 | 16,400 | 23,350 | 114 |
| | 45 | 68.9 | 13,880 | 19,770 | 112 |
| | 50 | 66.2 | 12,070 | 17,170 | 110 |
| | 55 | 63.5 | 10,500 | 15,000 | 108 |
| | 60 | 60.7 | 9,210 | 13,230 | 105 |
| | 65 | 57.8 | 8,130 | 11,760 | 102 |
| | 70 | 54.8 | 7,220 | 10,530 | 99 |
| | 75 | 51.6 | 6,430 | 9,470 | 95 |
| | 80 | 48.4 | 5,750 | 8,570 | 91 |
| | 85 | 45.0 | 5,160 | 7,780 | 86 |
| 90 | 41.3 | 4,630 | 7,080 | 81 | |
| 95 | 37.4 | 4,170 | 6,460 | 75 | |
| 100 | 33.1 | 3,750 | 5,910 | 68 | |
| 105 | 28.2 | 3,380 | 5,420 | 59 | |
| 110 | 22.4 | 3,050 | 4,980 | 49 | |
| 115 | 14.5 | 2,750 | 4,590 | 34 | |
| 120' | 23 | 80.7 | | 51,620 | 124 |
| | 25 | 79.7 | 31,000 | 45,520 | 123 |
| | 30 | 77.3 | 24,290 | 35,010 | 122 |
| | 35 | 74.9 | 19,660 | 28,110 | 121 |
| | 40 | 72.4 | 16,330 | 23,270 | 120 |
| | 45 | 69.8 | 13,820 | 19,710 | 118 |
| | 50 | 67.3 | 12,010 | 17,110 | 116 |
| | 55 | 64.7 | 10,440 | 14,940 | 114 |
| | 60 | 62.0 | 9,150 | 13,170 | 111 |
| | 65 | 59.3 | 8,070 | 11,710 | 108 |
| | 70 | 56.4 | 7,160 | 10,470 | 105 |
| | 75 | 53.5 | 6,370 | 9,410 | 102 |
| | 80 | 50.5 | 5,690 | 8,510 | 98 |
| | 85 | 47.3 | 5,100 | 7,720 | 93 |
| | 90 | 44.0 | 4,570 | 7,020 | 88 |
| 95 | 40.4 | 4,110 | 6,400 | 83 | |
| 100 | 36.6 | 3,690 | 5,850 | 77 | |
| 105 | 32.4 | 3,320 | 5,360 | 69 | |



American Crane Corporation
Wilmington, North Carolina 28412

Model 5300 Crawler Crane - Ratings In Pounds
46H Angle Boom - 4 Sheve
40,000 Pound Counterweight

| BOOM LENGTH | RADIUS IN FEET | BOOM ANGLE DEGREES | SIDE FRAMES RETRACTED | SIDE FRAMES EXTENDED | FEET FROM BOOM POINT TO GROUND |
|-------------|----------------|--------------------|-----------------------|----------------------|--------------------------------|
| 120' | 110 | 27.6 | 2,980 | 4,910 | 61 |
| | 115 | 21.9 | 2,680 | 4,520 | 50 |
| | 120 | 14.2 | 2,410 | 4,160 | 35 |
| 125' | 24 | 80.6 | 32,670 | 48,300 | 128 |
| | 25 | 80.2 | 30,870 | 45,420 | 128 |
| | 30 | 77.8 | 24,160 | 34,900 | 127 |
| | 35 | 75.5 | 19,530 | 28,000 | 126 |
| | 40 | 73.1 | 16,200 | 23,160 | 125 |
| | 45 | 70.7 | 13,680 | 19,580 | 123 |
| | 50 | 68.2 | 11,890 | 17,000 | 121 |
| | 55 | 65.7 | 10,310 | 14,820 | 119 |
| | 60 | 63.2 | 9,020 | 13,050 | 117 |
| | 65 | 60.6 | 7,940 | 11,590 | 114 |
| | 70 | 57.9 | 7,030 | 10,350 | 111 |
| | 75 | 55.2 | 6,250 | 9,300 | 108 |
| | 80 | 52.4 | 5,560 | 8,380 | 104 |
| | 85 | 49.4 | 4,970 | 7,590 | 100 |
| | 90 | 46.3 | 4,440 | 6,890 | 96 |
| | 95 | 43.0 | 3,980 | 6,280 | 90 |
| | 100 | 39.6 | 3,560 | 5,730 | 85 |
| 105 | 35.8 | 3,190 | 5,230 | 78 | |
| 110 | 31.7 | 2,850 | 4,790 | 71 | |
| 115 | 27.0 | 2,540 | 4,390 | 62 | |
| 120 | 21.4 | 2,270 | 4,030 | 51 | |
| 125 | 13.9 | 2,020 | 3,700 | 35 | |
| 130' | 24 | 81.0 | 32,570 | 48,200 | 134 |
| | 25 | 80.5 | 30,770 | 45,320 | 133 |
| | 30 | 78.3 | 24,060 | 34,810 | 132 |
| | 35 | 76.0 | 19,430 | 27,900 | 131 |
| | 40 | 73.8 | 16,090 | 23,060 | 130 |
| | 45 | 71.5 | 13,580 | 19,490 | 128 |
| | 50 | 69.1 | 11,790 | 16,910 | 127 |
| | 55 | 66.7 | 10,210 | 14,720 | 125 |
| | 60 | 64.3 | 8,920 | 12,960 | 122 |
| | 65 | 61.8 | 7,840 | 11,490 | 120 |
| | 70 | 59.3 | 6,920 | 10,250 | 117 |
| | 75 | 56.7 | 6,150 | 9,200 | 114 |
| | 80 | 54.0 | 5,460 | 8,280 | 110 |
| | 85 | 51.3 | 4,870 | 7,500 | 107 |
| | 90 | 48.4 | 4,340 | 6,790 | 102 |
| | 95 | 45.4 | 3,870 | 6,180 | 98 |
| | 100 | 42.2 | 3,460 | 5,630 | 92 |
| 105 | 38.8 | 3,090 | 5,140 | 87 | |
| 110 | 35.1 | 2,750 | 4,690 | 80 | |
| 115 | 31.1 | 2,440 | 4,290 | 72 | |
| 120 | 26.5 | 2,160 | 3,920 | 63 | |
| 125 | 21.0 | 1,910 | 3,590 | 52 | |
| 130 | 13.6 | 1,680 | 3,290 | 36 | |



American Crane Corporation
Wilmington, North Carolina 28412

Model 5300 Crawler Crane - Ratings In Pounds
46H Angle Boom - 4 Sheve
40,000 Pound Counterweight

▲ WARNING

This rating chart is invalid if the crane has been modified or altered by use of other than GENUINE AMERICAN PARTS as such modifications or alterations may affect its capacity or safe operation. See American Crane Corporation Service Bulletin #259.

Ratings in this chart are in POUNDS and do not exceed the percentage of tipping specified for this crane by ANSI B30.5. All ratings require that the crane be standing level on a firm uniformly supporting surface.

Do not lift loads in excess of those shown on this chart. Lifting loads in excess of those shown or operation not in accordance with good operating practice, including limitations shown on page 3499 of Operator's Manual, can cause tipping, structural damage or catastrophic failure.

On ratings with SIDE FRAMES RETRACTED, boom must never be operated at radii for which no ratings are shown.

Asterisk (*) areas on this chart indicate ratings which are limited by strength of material or factors other than stability (tipping).

" RADIUS IN FEET " is the horizontal distance at ground level from the crane center line of rotation to a vertical line through the center of gravity of the suspended load.

When using the main boom fall with jib in place, the main fall ratings must be reduced by the jib effective weight shown on the jib rating chart plus twice the weight of all suspended blocks, slings, rope, etc., at the jib fall. See Appendix A.

When using the main boom fall with boom tip extension in place, the main fall ratings must be reduced by the weight of the boom tip extension plus twice the weight of all suspended blocks, slings, rope, etc., at the boom tip extension fall. See Appendix A.

Blocks, slings, buckets and other load carrying devices are considered part of the load. The weight of standard hoisting ropes for the rating at a given radius has been calculated as part of the boom point load and need not be considered in determining net allowable loads. See Appendix A.

This chart was developed exclusively for use with a boom only. Under no circumstances are these ratings to be interpreted for use with a jib.

Ratings shown on this chart make no allowance for such factors as out of plumb loads, wind, poor soil conditions and dynamic effects due to excessive operating speeds. The user (operator) must exercise judgement to make allowance for these conditions. See page 3499 of Operator's Manual for detailed information.

No account is taken of the wind force on the load. This effect, which can be substantial for loads with large surface areas, must be considered by the user. In any wind it is strongly recommended that taglines be used to control the load.



American Crane Corporation
Wilmington, North Carolina 28412

Model 5300 Crawler Crane - Ratings In Pounds
46H Angle Boom - 4 Sheve
40,000 Pound Counterweight

BOOM HOIST LINE is 10 parts of 0.625 inch diameter 6 x 26, WS, FW, RAL, IWRC, EIPS wire rope with a minimum breaking strength of 41,200 pounds.

PENDANT SUSPENSION LINE is 2 parts of 1.125 inch diameter MONOLAY wire rope with a minimum breaking strength of 140,600 pounds.

MAIN LOAD LINE is .875 inch diameter 6 X 25, FW, RRL, IWRC, IPS wire rope with a minimum breaking strength of 69,200 pounds.

Erection over the idler end with A-Frame fully raised and idler tumblers blocked. Erection over the side with A-Frame fully raised and side frames extended. Blocks, slings and other load carrying devices must be on the ground during erection.

| MAXIMUM BOOM & JIB SELF-ERECTION DATA | | | | |
|---------------------------------------|------------------|-----------------|------------------|-----------------|
| | OVER THE END | | OVER THE SIDE | |
| | BOOM LENGTH (FT) | JIB LENGTH (FT) | BOOM LENGTH (FT) | JIB LENGTH (FT) |
| #9 JIB | 160 | 0 | 160 | 0 |
| | 155 | 20 | 155 | 20 |
| | 150 | 40 | 150 | 30 |
| | 145 | 50 | 145 | 40 |
| | | | | 50 |

| LOAD HOISTING INFORMATION | | | |
|---------------------------------|-----------------------|-----------------------------------|-----------|
| MAXIMUM LIFTING CAPACITY - LBS. | MINIMUM PARTS OF LINE | MAXIMUM HOISTING DISTANCE IN FEET | |
| | | R.H. DRUM - C.L.L. | L.H. DRUM |
| 140,000 | 8 | 64 | 49 |
| 138,400 | 7 | 74 | 56 |
| 118,620 | 6 | 86 | 65 |
| 98,850 | 5 | 103 | 78 |
| 79,080 | 4 | 129 | 98 |
| 59,310 | 3 | 172 | 131 |
| 39,540 | 2 | 258 | 196 |
| 19,770 | 1 | 517 | 392 |



American Crane Corporation
Wilmington, North Carolina 28412

#9 Jib Ratings In Pounds - Model 5300 Crawler Crane
46H Angle Boom with 4 Sheave Tip
40,000 Pound Counterweight

JIB BACKSTAY LINE is 0.875 inch diameter wire rope with a minimum breaking strength of 69,200 pounds.

WHIP-LINE is 0.875 inch diameter 6 x 25, P, RRL, FW, IPS, IWRC wire rope with a minimum breaking strength of 69,200 pounds.

Erection over the idler end with A-Frame fully raised and idler tumblers blocked. Erection over the side with A-Frame fully raised and side frames extended. Blocks, slings and other load carrying devices must be on the ground during erection.

| MAXIMUM BOOM & JIB SELF-ERECTION DATA | | | | |
|---------------------------------------|------------------|-----------------|------------------|-----------------|
| | OVER THE END | | OVER THE SIDE | |
| | BOOM LENGTH (FT) | JIB LENGTH (FT) | BOOM LENGTH (FT) | JIB LENGTH (FT) |
| | #9 JIB | 160' | 0' | 160' |
| | 155' | 20' | 155' | 20' |
| | 150' | 40' | 150' | 30' |
| | 145' | 50' | 145' | 40' |
| | | | 140' | 50' |

| BOOM COMPOSITION CHART | | | | | | |
|------------------------|----------------|----------------|-----------------|-----------------|-----------------|----------------|
| BOOM LENGTH (FEET) | BOOM SECTIONS | | | | | |
| | 20' 46HR INNER | 5' 46HR CENTER | 10' 46HR CENTER | 20' 46HR CENTER | 40' 46HR CENTER | 20' 46HR OUTER |
| 40 | 1 | 0 | 0 | 0 | 0 | 1 |
| 50 | 1 | 1 | 0 | 0 | 0 | 1 |
| 50 | 1 | 0 | 1 | 0 | 0 | 1 |
| 55 | 1 | 1 | 1 | 0 | 0 | 1 |
| 60 | 1 | 0 | 0 | 1 | 0 | 1 |
| 65 | 1 | 1 | 0 | 1 | 0 | 1 |
| 70 | 1 | 0 | 1 | 1 | 0 | 1 |
| 75 | 1 | 1 | 1 | 1 | 0 | 1 |
| 80 | 1 | 0 | 0 | 0 | 1 | 1 |
| 85 | 1 | 1 | 0 | 0 | 1 | 1 |
| 90 | 1 | 0 | 1 | 0 | 1 | 1 |
| 95 | 1 | 1 | 1 | 0 | 1 | 1 |
| 100 | 1 | 0 | 0 | 1 | 1 | 1 |
| 105 | 1 | 1 | 0 | 1 | 1 | 1 |
| 110 | 1 | 0 | 1 | 1 | 1 | 1 |
| 115 | 1 | 1 | 1 | 1 | 1 | 1 |
| 120 | 1 | 0 | 0 | 0 | 2 | 1 |
| 125 | 1 | 1 | 0 | 0 | 2 | 1 |
| 130 | 1 | 0 | 1 | 0 | 2 | 1 |
| 135 | 1 | 1 | 1 | 0 | 2 | 1 |
| 140 | 1 | 0 | 0 | 1 | 2 | 1 |
| 145 | 1 | 1 | 0 | 1 | 2 | 1 |
| 150 | 1 | 0 | 1 | 1 | 2 | 1 |
| 155 | 1 | 1 | 1 | 1 | 2 | 1 |

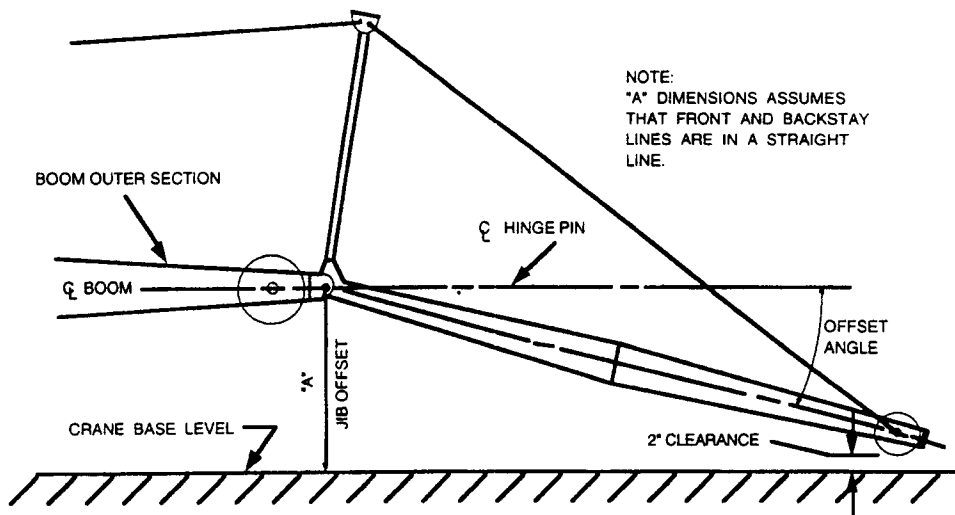


American Crane Corporation
Wilmington, North Carolina 28412

#9 Jib Ratings In Pounds - Model 5300 Crawler Crane
46H Angle Boom with 4 Sheave Tip
40,000 Pound Counterweight

| LOAD HOISTING INFORMATION | | | |
|---------------------------------|-----------------------|--------------------------------|-----------|
| MAXIMUM LIFTING CAPACITY - LBS. | MINIMUM PARTS OF LINE | MAXIMUM HOISTING DISTANCE - FT | |
| | | MAIN DRUM - C.L.L. | AUX. DRUM |
| 18,000 | 1 | | 396' |

| #9 JIB COMPOSITION CHART | | | | | | | |
|--------------------------|------------------|-------------------|------------------|--------------------------|------------------------|------|------|
| JIB LENGTH (FEET) | #9 JIB 10' INNER | #9 JIB 10' CENTER | #9 JIB 10' OUTER | EFF. JIB WEIGHT (POUNDS) | JIB OFFSET "A" IN FEET | | |
| | | | | | 5° | 15° | 25° |
| 20 | 1 | 0 | 1 | 1,550 | 3.0 | 6.0 | 8.5 |
| 30 | 1 | 1 | 1 | 2,100 | 3.8 | 7.8 | 11.6 |
| 40 | 1 | 2 | 1 | 2,800 | 4.6 | 9.7 | 14.5 |
| 50 | 1 | 3 | 1 | 3,600 | 5.3 | 11.6 | 17.8 |





American Crane Corporation
Wilmington, North Carolina 28412

Model 5300 Crawler Crane - Ratings In Pounds
47H Tubular Boom
40,000 Pound Counterweight

| BOOM LENGTH | RADIUS (FEET) | BOOM ANGLE (DEGREES) | SIDE FRAMES RETRACTED (POUNDS) | SIDE FRAMES EXTENDED (POUNDS) | FROM BOOM POINT TO GROUND (FEET) |
|--------------------------|---------------|----------------------|--------------------------------|-------------------------------|----------------------------------|
| 90' (27.4M) BOOM | 19 | 80.7 | | 70,900 | 94 |
| | 20 | 80.0 | | 65,350 | 94 |
| | 25 | 76.8 | | 46,810 | 93 |
| | 30 | 73.5 | | 36,280 | 91 |
| | 35 | 70.1 | | 29,400 | 90 |
| | 40 | 66.7 | | 24,580 | 88 |
| | 50 | 59.5 | 13,330 | 18,390 | 83 |
| | 60 | 51.7 | 10,470 | 14,450 | 76 |
| | 70 | 43.0 | 8,470 | 11,750 | 67 |
| | 80 | 32.5 | 7,010 | 9,790 | 53 |
| | 90 | 16.9 | 5,890 | 8,310 | 31 |
| 100' (30.5M) BOOM | 21 | 80.4 | | 60,450 | 104 |
| | 25 | 78.1 | | 46,700 | 103 |
| | 30 | 75.2 | | 36,160 | 102 |
| | 35 | 72.2 | | 29,280 | 100 |
| | 40 | 69.1 | 17,560 | 24,450 | 99 |
| | 50 | 62.8 | 13,210 | 18,270 | 94 |
| | 60 | 56.1 | 10,330 | 14,320 | 88 |
| | 70 | 48.9 | 8,340 | 11,620 | 80 |
| | 80 | 40.7 | 6,880 | 9,670 | 70 |
| | 90 | 30.7 | 5,760 | 8,180 | 56 |
| | 100 | 16.0 | 4,870 | 7,020 | 33 |
| 110' (33.5M) BOOM | 22 | 80.8 | | 56,300 | 114 |
| | 25 | 79.2 | | 46,550 | 113 |
| | 30 | 76.5 | | 36,010 | 112 |
| | 35 | 73.8 | 20,710 | 29,120 | 111 |
| | 40 | 71.1 | 17,370 | 24,280 | 109 |
| | 50 | 65.5 | 13,030 | 18,110 | 105 |
| | 60 | 59.6 | 10,160 | 14,160 | 100 |
| | 70 | 53.3 | 8,170 | 11,460 | 93 |
| | 80 | 46.4 | 6,700 | 9,500 | 85 |
| | 90 | 38.7 | 5,570 | 8,000 | 74 |
| | 100 | 29.2 | 4,690 | 6,840 | 59 |
| | 110 | 15.2 | 3,980 | 5,900 | 34 |



American Crane Corporation
Wilmington, North Carolina 28412

Model 5300 Crawler Crane - Ratings In Pounds
47H Tubular Boom
40,000 Pound Counterweight

| BOOM LENGTH | RADIUS (FEET) | BOOM ANGLE (DEGREES) | SIDE FRAMES RETRACTED (POUNDS) | SIDE FRAMES EXTENDED (POUNDS) | FROM BOOM POINT TO GROUND (FEET) |
|--------------------------|---------------|----------------------|--------------------------------|-------------------------------|----------------------------------|
| 120' (36.6M) BOOM | 24 | 80.6 | | 49,270 | 124 |
| | 25 | 80.1 | | 46,390 | 123 |
| | 30 | 77.7 | | 35,870 | 122 |
| | 35 | 75.2 | 20,530 | 28,950 | 121 |
| | 40 | 72.7 | 17,190 | 24,110 | 120 |
| | 50 | 67.6 | 12,850 | 17,940 | 116 |
| | 60 | 62.3 | 9,980 | 13,990 | 111 |
| | 70 | 56.8 | 7,990 | 11,290 | 106 |
| | 80 | 50.8 | 6,520 | 9,320 | 98 |
| | 90 | 44.3 | 5,390 | 7,830 | 89 |
| | 100 | 37.0 | 4,510 | 6,660 | 77 |
| | 110 | 28.0 | 3,790 | 5,720 | 61 |
| 120 | 14.5 | 3,210 | 4,960 | 35 | |
| 130' (39.6M) BOOM | 25 | 80.9 | | 46,260 | 134 |
| | 30 | 78.6 | 25,030 | 35,730 | 133 |
| | 35 | 76.4 | 20,380 | 28,810 | 131 |
| | 40 | 74.1 | 17,030 | 23,960 | 130 |
| | 50 | 69.4 | 12,710 | 17,810 | 127 |
| | 60 | 64.7 | 9,840 | 13,850 | 123 |
| | 70 | 59.6 | 7,830 | 11,140 | 117 |
| | 80 | 54.4 | 6,370 | 9,170 | 111 |
| | 90 | 48.7 | 5,240 | 7,680 | 103 |
| | 100 | 42.5 | 4,360 | 6,510 | 93 |
| | 110 | 35.4 | 3,630 | 5,560 | 81 |
| 120 | 26.8 | 3,050 | 4,800 | 64 | |
| 130 | 13.9 | 2,570 | 4,170 | 36 | |
| 140' (42.7M) BOOM | 27 | 80.7 | | 41,190 | 143 |
| | 30 | 79.5 | 24,850 | 35,580 | 143 |
| | 35 | 77.4 | 20,190 | 28,650 | 142 |
| | 40 | 75.3 | 16,840 | 23,790 | 141 |
| | 50 | 71.0 | 12,530 | 17,640 | 137 |
| | 60 | 66.6 | 9,660 | 13,680 | 134 |
| | 70 | 62.0 | 7,660 | 10,970 | 129 |
| | 80 | 57.3 | 6,180 | 9,000 | 123 |
| | 90 | 52.2 | 5,050 | 7,500 | 116 |
| | 100 | 46.8 | 4,170 | 6,330 | 107 |
| | 110 | 40.9 | 3,450 | 5,380 | 97 |
| | 120 | 34.1 | 2,860 | 4,610 | 84 |
| 130 | 25.8 | 2,370 | 3,970 | 66 | |
| 140 | 13.4 | 1,960 | 3,440 | 38 | |



American Crane Corporation
Wilmington, North Carolina 28412

Model 5300 Crawler Crane - Ratings In Pounds
47H Tubular Boom
40,000 Pound Counterweight

| BOOM LENGTH | RADIUS (FEET) | BOOM ANGLE (DEGREES) | SIDE FRAMES RETRACTED (POUNDS) | SIDE FRAMES EXTENDED (POUNDS) | FROM BOOM POINT TO GROUND (FEET) |
|--------------------------|---------------|----------------------|--------------------------------|-------------------------------|----------------------------------|
| 150' (45.7M) BOOM | 28 | 80.9 | 27,080 | 39,110 | 153 |
| | 30 | 80.2 | 24,670 | 35,420 | 153 |
| | 35 | 78.2 | 20,010 | 28,480 | 152 |
| | 40 | 76.3 | 16,650 | 23,620 | 151 |
| | 50 | 72.3 | 12,360 | 17,480 | 148 |
| | 60 | 68.2 | 9,470 | 13,510 | 144 |
| | 70 | 64.0 | 7,470 | 10,800 | 140 |
| | 80 | 59.7 | 6,000 | 8,830 | 135 |
| | 90 | 55.1 | 4,880 | 7,330 | 128 |
| | 100 | 50.3 | 3,990 | 6,150 | 121 |
| | 110 | 45.1 | 3,260 | 5,200 | 111 |
| | 120 | 39.4 | 2,670 | 4,430 | 100 |
| | 130 | 32.9 | 2,180 | 3,790 | 87 |
| | 140 | 24.9 | 1,760 | 3,240 | 68 |
| | 150 | 12.9 | 1,410 | 2,780 | 39 |
| 160' (48.8M) BOOM | 30 | 80.8 | 24,510 | 33,950 * | 163 |
| | 35 | 79.0 | 19,840 | 28,330 | 162 |
| | 40 | 77.1 | 16,500 | 23,470 | 161 |
| | 50 | 73.4 | 12,200 | 17,330 | 159 |
| | 60 | 69.7 | 9,320 | 13,360 | 155 |
| | 70 | 65.8 | 7,310 | 10,640 | 151 |
| | 80 | 61.8 | 5,840 | 8,670 | 146 |
| | 90 | 57.6 | 4,710 | 7,170 | 140 |
| | 100 | 53.2 | 3,820 | 5,990 | 133 |
| | 110 | 48.6 | 3,100 | 5,040 | 125 |
| | 120 | 43.6 | 2,510 | 4,270 | 116 |
| | 130 | 38.1 | 2,010 | 3,620 | 104 |
| | 140 | 31.8 | 1,590 | 3,070 | 90 |
| | 150 | 24.1 | 1,240 | 2,610 | 71 |
| | 160 | 12.5 | 940 | 2,210 | 40 |
| 170' (51.8M) BOOM | 31 | 81.0 | 23,250 | 29,020 * | 173 |
| | 35 | 79.6 | 19,660 | 28,130 * | 172 |
| | 40 | 77.9 | 16,310 | 23,300 | 171 |
| | 50 | 74.4 | 12,020 | 17,160 | 169 |
| | 60 | 70.9 | 9,130 | 13,180 | 166 |
| | 70 | 67.3 | 7,130 | 10,470 | 162 |
| | 80 | 63.6 | 5,660 | 8,490 | 157 |
| | 90 | 59.7 | 4,520 | 6,990 | 152 |
| | 100 | 55.7 | 3,630 | 5,810 | 146 |
| | 110 | 51.5 | 2,910 | 4,860 | 138 |
| | 120 | 47.1 | 2,320 | 4,090 | 130 |
| | 130 | 42.2 | 1,820 | 3,430 | 119 |
| | 140 | 36.9 | 1,400 | 2,880 | 107 |
| | 150 | 30.8 | 1,040 | 2,410 | 92 |
| | 160 | 23.4 | 730 | 2,020 | 73 |
| 170 | 12.1 | 410 | 1,620 | 41 | |



American Crane Corporation
Wilmington, North Carolina 28412

Model 5300 Crawler Crane - Ratings In Pounds
47H Tubular Boom
40,000 Pound Counterweight

BOOM HOIST LINE is 10 parts of .625 inch diameter 6x26, WS, RRL, P, IWRC, EIPS wire rope with a minimum breaking strength of not less than 41,200 pounds.

BOOM PENDANT SUSPENSION is 2 parts of 1.125 inch diameter MONOLAY wire rope with a minimum breaking strength of not less than 140,600 pounds.

MAIN LOAD LINE is .875 inch diameter 6x25, FW, RRL, P, IWRC, IPS wire rope with a minimum breaking strength of 69,200 pounds.

ERECTION

Erection over the idler end is with A-Frame fully raised and idler tumblers blocked. Erection over the side is with A-Frame fully raised and side frames extended. Blocks, slings and other load carrying devices must be on the ground during erection.

| MAXIMUM BOOM & JIB SELF-ERECTION DATA | | | | |
|---------------------------------------|-------------|---------------|-------------|------------|
| OVER THE END | | OVER THE SIDE | | |
| | BOOM LENGTH | JIB LENGTH | BOOM LENGTH | JIB LENGTH |
| #7HL Jib | 170' | 60' | 170' | 60' |

| LOAD HOISTING INFORMATION - 7/8 inch diameter IPS wire rope | | | |
|---|-----------------------|---------------------------------|-------------|
| MAXIMUM LIFTING CAPACITY - LBS. | MINIMUM PARTS OF LINE | MAXIMUM HOISTING DISTANCE - FT. | |
| | | MAIN - R.H. | AUX. - L.H. |
| 140,000 | 8 | 64' | 49' |
| 138,400 | 7 | 73' | 56' |
| 118,620 | 6 | 85' | 65' |
| 98,850 | 5 | 102' | 78' |
| 79,080 | 4 | 128' | 98' |
| 59,310 | 3 | 171' | 131' |
| 39,540 | 2 | 256' | 196' |
| 19,770 | 1 | 512' | 392' |



American Crane Corporation
Wilmington, North Carolina 28412

#7HL Jib Ratings In Pounds
Model 5300 Crawler Crane
47H Tubular Boom - With 4 Sheave Tip
40,000 Pound Counterweight

| BOOM & JIB LENGTH | JIB RADIUS (FEET) | 5° JIB OFFSET | | 15° JIB OFFSET | | 25° JIB OFFSET | |
|---------------------------------|-------------------------|---------------|------------------|----------------|------------------|----------------|------------------|
| | | BOOM ANGLE | RATINGS (LBS) | BOOM ANGLE | RATINGS (LBS) | BOOM ANGLE | RATINGS (LBS) |
| 30' JIB & 80' BOOM | 24 | 80.8 | 16,000* | | | | |
| | 25 | 80.3 | 16,000* | | | | |
| | 30 | 77.6 | 16,000* | 80.2 | 16,000* | | |
| | 35 | 75.0 | 16,000* | 77.5 | 16,000* | 80.0 | 16,000* |
| | 40 | 72.3 | 16,000* | 74.8 | 16,000* | 77.2 | 16,000* |
| | 50 | 66.7 | 16,000* | 69.2 | 16,000* | 71.5 | 16,000* |
| | 60 | 60.9 | 14,560 | 63.4 | 14,560 | 65.6 | 14,560 |
| | 70 | 54.7 | 11,870 | 57.1 | 11,870 | 59.2 | 11,870 |
| | 80 | 48.0 | 9,920 | 50.3 | 9,920 | 52.3 | 9,920 |
| 30' JIB & 90' BOOM | 26 | 80.6 | 16,000* | | | | |
| | 30 | 78.7 | 16,000* | | | | |
| | 35 | 76.2 | 16,000* | 78.6 | 16,000* | 80.8 | 16,000* |
| | 40 | 73.8 | 16,000* | 76.1 | 16,000* | 78.3 | 16,000* |
| | 50 | 68.7 | 16,000* | 71.1 | 16,000* | 73.2 | 16,000* |
| | 60 | 63.5 | 14,370 | 65.8 | 14,370 | 67.9 | 14,370 |
| | 70 | 58.0 | 11,670 | 60.3 | 11,680 | 62.2 | 11,680 |
| | 80 | 52.2 | 9,710 | 54.4 | 9,710 | 56.2 | 9,720 |
| | 90 | 45.8 | 8,230 | 47.9 | 8,230 | 49.6 | 8,230 |
| 30' JIB & 100' BOOM | 27 | 80.9 | 16,000* | | | | |
| | 30 | 79.5 | 16,000* | | | | |
| | 35 | 77.3 | 16,000* | 79.5 | 16,000* | | |
| | 40 | 75.0 | 16,000* | 77.2 | 16,000* | 79.3 | 16,000* |
| | 50 | 70.4 | 16,000* | 72.6 | 16,000* | 74.6 | 16,000* |
| | 60 | 65.7 | 14,200 | 67.8 | 14,200 | 69.7 | 14,200 |
| | 70 | 60.7 | 11,500 | 62.8 | 11,500 | 64.7 | 11,500 |
| | 80 | 55.5 | 9,540 | 57.6 | 9,540 | 59.4 | 9,540 |
| | 90 | 50.0 | 8,060 | 52.0 | 8,060 | 53.6 | 8,060 |
| | 100 | 43.9 | 6,890 | 45.8 | 6,890 | 47.3 | 6,890 |
| 30' JIB & 110' BOOM | 29 | 80.7 | 16,000* | | | | |
| | 30 | 80.3 | 16,000* | | | | |
| | 35 | 78.2 | 16,000* | 80.3 | 16,000* | | |
| | 40 | 76.1 | 16,000* | 78.2 | 16,000* | 80.1 | 16,000* |
| | 50 | 71.9 | 16,000* | 73.9 | 16,000* | 75.8 | 16,000* |
| | 60 | 67.5 | 14,000 | 69.5 | 14,000 | 71.3 | 14,000 |
| | 70 | 63.0 | 11,300 | 65.0 | 11,300 | 66.7 | 11,300 |
| | 80 | 58.3 | 9,350 | 60.2 | 9,350 | 61.9 | 9,350 |
| | 90 | 53.3 | 7,850 | 55.2 | 7,850 | 56.8 | 7,860 |
| | 100 | 48.0 | 6,680 | 49.8 | 6,680 | 51.3 | 6,690 |
| | 110 | 42.2 | 5,740 | 43.9 | 5,740 | 45.3 | 5,750 |
| 30' JIB & 120' BOOM | 30 | 80.9 | 16,000* | | | | |
| | 35 | 79.0 | 16,000* | 80.9 | 16,000* | | |
| | 40 | 77.1 | 16,000* | 79.0 | 16,000* | 80.8 | 16,000* |
| | 50 | 73.1 | 16,000* | 75.0 | 16,000* | 76.8 | 16,000* |
| | 60 | 69.1 | 13,800 | 71.0 | 13,810 | 72.7 | 13,810 |
| | 70 | 64.9 | 11,110 | 66.8 | 11,110 | 68.4 | 11,110 |



American Crane Corporation
Wilmington, North Carolina 28412

#7HL Jib Ratings In Pounds
Model 5300 Crawler Crane
47H Tubular Boom - With 4 Sheave Tip
40,000 Pound Counterweight

| BOOM & JIB LENGTH | JIB RADIUS (FEET) | 5° JIB OFFSET | | 15° JIB OFFSET | | 25° JIB OFFSET | | |
|---------------------|---------------------|---------------|---------------|----------------|---------------|----------------|---------------|--|
| | | BOOM ANGLE | RATINGS (LBS) | BOOM ANGLE | RATINGS (LBS) | BOOM ANGLE | RATINGS (LBS) | |
| 30' JIB & 120' BOOM | 80 | 60.6 | 9,140 | 62.4 | 9,150 | 64.0 | 9,150 | |
| | 90 | 56.1 | 7,650 | 57.9 | 7,650 | 59.4 | 7,650 | |
| | 100 | 51.4 | 6,480 | 53.1 | 6,480 | 54.6 | 6,480 | |
| | 110 | 46.3 | 5,540 | 48.0 | 5,540 | 49.3 | 5,540 | |
| | 120 | 40.6 | 4,770 | 42.3 | 4,770 | 43.5 | 4,770 | |
| 30' JIB & 130' BOOM | 32 | 80.8 | 16,000* | | | | | |
| | 35 | 79.7 | 16,000* | | | | | |
| | 40 | 77.9 | 16,000* | 79.7 | 16,000* | | | |
| | 50 | 74.2 | 16,000* | 76.0 | 16,000* | 77.6 | 16,000* | |
| | 60 | 70.5 | 13,630 | 72.2 | 13,630 | 73.8 | 13,640 | |
| | 70 | 66.6 | 10,930 | 68.3 | 10,930 | 69.9 | 10,930 | |
| | 80 | 62.6 | 8,960 | 64.3 | 8,960 | 65.9 | 8,970 | |
| | 90 | 58.5 | 7,480 | 60.2 | 7,480 | 61.7 | 7,480 | |
| | 100 | 54.2 | 6,310 | 55.9 | 6,310 | 57.3 | 6,310 | |
| 30' JIB & 140' BOOM | 110 | 49.6 | 5,360 | 51.2 | 5,370 | 52.6 | 5,370 | |
| | 120 | 44.7 | 4,580 | 46.3 | 4,590 | 47.5 | 4,590 | |
| | 130 | 39.3 | 3,940 | 40.8 | 3,940 | 41.9 | 3,940 | |
| | 33 | 81.0 | 16,000* | | | | | |
| | 35 | 80.3 | 16,000* | | | | | |
| | 40 | 78.6 | 16,000* | 80.3 | 16,000* | | | |
| | 50 | 75.2 | 16,000* | 76.8 | 16,000* | 78.4 | 16,000* | |
| | 60 | 71.6 | 13,440 | 73.3 | 13,440 | 74.8 | 13,440 | |
| | 70 | 68.1 | 10,740 | 69.7 | 10,740 | 71.2 | 10,740 | |
| 30' JIB & 150' BOOM | 80 | 64.4 | 8,770 | 66.0 | 8,770 | 67.4 | 8,770 | |
| | 90 | 60.6 | 7,280 | 62.2 | 7,280 | 63.6 | 7,280 | |
| | 100 | 56.6 | 6,100 | 58.2 | 6,100 | 59.5 | 6,110 | |
| | 110 | 52.4 | 5,160 | 54.0 | 5,160 | 55.3 | 5,160 | |
| | 120 | 48.0 | 4,380 | 49.5 | 4,380 | 50.8 | 4,380 | |
| | 130 | 43.3 | 3,740 | 44.7 | 3,740 | 45.9 | 3,740 | |
| | 140 | 38.0 | 3,180 | 39.5 | 3,180 | 40.5 | 3,190 | |
| | 30' JIB & 160' BOOM | 35 | 80.9 | 16,000* | | | | |
| | | 40 | 79.2 | 16,000* | 80.8 | 15,790* | | |
| 50 | | 76.0 | 16,000* | 77.6 | 15,250* | 79.0 | 13,530* | |
| 60 | | 72.7 | 13,240 | 74.3 | 13,240 | 75.7 | 13,220* | |
| 70 | | 69.3 | 10,530 | 70.9 | 10,540 | 72.3 | 10,540 | |
| 80 | | 65.9 | 8,570 | 67.4 | 8,570 | 68.8 | 8,570 | |
| 90 | | 62.4 | 7,070 | 63.9 | 7,080 | 65.2 | 7,080 | |
| 100 | | 58.7 | 5,900 | 60.2 | 5,900 | 61.5 | 5,900 | |
| 110 | | 54.9 | 4,960 | 56.3 | 4,960 | 57.6 | 4,960 | |
| 120 | | 50.9 | 4,190 | 52.3 | 4,190 | 53.5 | 4,190 | |
| 30' JIB & 160' BOOM | 130 | 46.6 | 3,540 | 48.0 | 3,540 | 49.1 | 3,540 | |
| | 140 | 42.0 | 2,990 | 43.4 | 2,990 | 44.4 | 2,990 | |
| | 150 | 36.9 | 2,510 | 38.2 | 2,510 | 39.2 | 2,510 | |
| | 37 | 80.7 | 15,620* | | | | | |
| 30' JIB & 160' BOOM | 40 | 79.8 | 15,360* | | | | | |
| | 50 | 76.7 | 14,400* | 78.2 | 12,880* | 79.6 | 11,440* | |
| | 60 | 73.6 | 13,070 | 75.1 | 12,270* | 76.5 | 11,140* | |
| | 70 | 70.5 | 10,360 | 71.9 | 10,360 | 73.3 | 10,370 | |



American Crane Corporation
Wilmington, North Carolina 28412

#7HL Jib Ratings In Pounds
Model 5300 Crawler Crane
47H Tubular Boom - With 4 Sheave Tip
40,000 Pound Counterweight

| BOOM & JIB LENGTH | JIB RADIUS (FEET) | 5° JIB OFFSET | | 15° JIB OFFSET | | 25° JIB OFFSET | |
|---------------------------------|-------------------------|---------------|------------------|----------------|------------------|----------------|------------------|
| | | BOOM ANGLE | RATINGS (LBS) | BOOM ANGLE | RATINGS (LBS) | BOOM ANGLE | RATINGS (LBS) |
| 50' JIB & 150' BOOM | 40 | 80.8 | 15,620* | | | | |
| | 50 | 77.9 | 14,740* | 80.3 | 12,370* | | |
| | 60 | 75.0 | 13,360 | 77.3 | 11,960* | 79.6 | 10,210* |
| | 70 | 72.0 | 10,640 | 74.3 | 10,640 | 76.5 | 10,060* |
| | 80 | 68.9 | 8,680 | 71.3 | 8,680 | 73.4 | 8,680 |
| | 90 | 65.8 | 7,180 | 68.1 | 7,180 | 70.2 | 7,190 |
| | 100 | 62.6 | 6,010 | 64.9 | 6,010 | 67.0 | 6,010 |
| | 110 | 59.3 | 5,060 | 61.6 | 5,060 | 63.6 | 5,070 |
| | 120 | 55.9 | 4,290 | 58.1 | 4,290 | 60.1 | 4,290 |
| | 130 | 52.3 | 3,640 | 54.5 | 3,640 | 56.4 | 3,640 |
| | 140 | 48.5 | 3,090 | 50.7 | 3,090 | 52.5 | 3,090 |
| | 150 | 44.5 | 2,620 | 46.7 | 2,620 | 48.4 | 2,620 |
| 50' JIB & 160' BOOM | 41 | 81.0 | 13,250* | | | | |
| | 50 | 78.5 | 12,460* | 80.8 | 10,470* | | |
| | 60 | 75.7 | 11,680* | 78.0 | 10,080* | 80.1 | 8,600* |
| | 70 | 72.9 | 10,470 | 75.1 | 9,630* | 77.2 | 8,430* |
| | 80 | 70.0 | 8,500 | 72.2 | 8,500 | 74.3 | 8,150* |
| | 90 | 67.0 | 7,000 | 69.2 | 7,000 | 71.3 | 7,000 |
| | 100 | 64.0 | 5,820 | 66.2 | 5,830 | 68.2 | 5,830 |
| | 110 | 60.9 | 4,880 | 63.1 | 4,880 | 65.0 | 4,880 |
| | 120 | 57.7 | 4,110 | 59.9 | 4,110 | 61.8 | 4,110 |
| | 130 | 54.4 | 3,450 | 56.5 | 3,460 | 58.4 | 3,460 |
| | 140 | 50.9 | 2,900 | 53.0 | 2,900 | 54.8 | 2,910 |
| | 150 | 47.3 | 2,420 | 49.3 | 2,420 | 51.0 | 2,430 |
| | 160 | 43.4 | 2,010 | 45.4 | 2,010 | 47.0 | 2,020 |
| 50' JIB & 170' BOOM | 43 | 80.9 | 11,130* | | | | |
| | 50 | 79.0 | 10,580* | | | | |
| | 60 | 76.4 | 9,830* | 78.5 | 8,470* | 80.6 | 7,250* |
| | 70 | 73.7 | 9,100* | 75.8 | 8,060* | 77.8 | 7,040* |
| | 80 | 70.9 | 8,300 | 73.1 | 7,620* | 75.0 | 6,780* |
| | 90 | 68.1 | 6,810 | 70.3 | 6,810 | 72.2 | 6,490* |
| | 100 | 65.3 | 5,630 | 67.4 | 5,630 | 69.3 | 5,640 |
| | 110 | 62.4 | 4,680 | 64.4 | 4,680 | 66.3 | 4,680 |
| | 120 | 59.4 | 3,900 | 61.4 | 3,910 | 63.2 | 3,910 |
| | 130 | 56.3 | 3,250 | 58.3 | 3,250 | 60.1 | 3,260 |
| | 140 | 53.0 | 2,700 | 55.1 | 2,700 | 56.8 | 2,700 |
| | 150 | 49.7 | 2,230 | 51.6 | 2,230 | 53.3 | 2,230 |
| | 160 | 46.1 | 1,790 | 48.1 | 1,790 | 49.6 | 1,790 |
| | 170 | 42.3 | 1,360 | 44.2 | 1,360 | 45.7 | 1,360 |
| 60' JIB & 150' BOOM | 42 | 80.9 | 13,900* | | | | |
| | 50 | 78.7 | 13,220* | | | | |
| | 60 | 75.9 | 12,290* | 78.7 | 10,400* | | |
| | 70 | 73.1 | 10,680 | 75.8 | 9,840* | 78.3 | 8,650* |
| | 80 | 70.2 | 8,720 | 72.9 | 8,720 | 75.4 | 8,300* |
| | 90 | 67.3 | 7,220 | 69.9 | 7,220 | 72.4 | 7,220 |
| | 100 | 64.3 | 6,040 | 66.9 | 6,050 | 69.3 | 6,050 |



American Crane Corporation
Wilmington, North Carolina 28412

#7HL Jib Ratings In Pounds
Model 5300 Crawler Crane
47H Tubular Boom - With 4 Sheave Tip
40,000 Pound Counterweight

| BOOM & JIB LENGTH | JIB RADIUS (FEET) | 5° JIB OFFSET | | 15° JIB OFFSET | | 25° JIB OFFSET | |
|---------------------|-------------------|---------------|---------------|----------------|---------------|----------------|---------------|
| | | BOOM ANGLE | RATINGS (LBS) | BOOM ANGLE | RATINGS (LBS) | BOOM ANGLE | RATINGS (LBS) |
| 60' JIB & 150' BOOM | 110 | 61.2 | 5,090 | 63.8 | 5,090 | 66.1 | 5,100 |
| | 120 | 58.0 | 4,320 | 60.6 | 4,320 | 62.9 | 4,320 |
| | 130 | 54.6 | 3,660 | 57.2 | 3,670 | 59.4 | 3,670 |
| | 140 | 51.2 | 3,110 | 53.7 | 3,110 | 55.9 | 3,120 |
| | 150 | 47.5 | 2,640 | 50.0 | 2,640 | 52.1 | 2,650 |
| 60' JIB & 160' BOOM | 44 | 80.8 | 12,160* | | | | |
| | 50 | 79.3 | 11,700* | | | | |
| | 60 | 76.6 | 10,920* | 79.2 | 9,170* | | |
| | 70 | 73.9 | 10,210* | 76.5 | 8,800* | 78.9 | 7,460* |
| | 80 | 71.1 | 8,520 | 73.7 | 8,420* | 76.1 | 7,290* |
| | 90 | 68.4 | 7,030 | 70.9 | 7,030 | 73.3 | 7,030 |
| | 100 | 65.5 | 5,850 | 68.0 | 5,850 | 70.4 | 5,860 |
| | 110 | 62.6 | 4,910 | 65.1 | 4,910 | 67.4 | 4,910 |
| | 120 | 59.6 | 4,130 | 62.1 | 4,140 | 64.3 | 4,140 |
| | 130 | 56.5 | 3,480 | 58.9 | 3,480 | 61.1 | 3,490 |
| | 140 | 53.3 | 2,930 | 55.7 | 2,930 | 57.8 | 2,930 |
| 150 | 49.9 | 2,460 | 52.3 | 2,460 | 54.3 | 2,460 | |
| 160 | 46.3 | 2,050 | 48.7 | 2,050 | 50.6 | 2,050 | |
| 60' JIB & 170' BOOM | 45 | 81.0 | 10,260* | | | | |
| | 50 | 79.7 | 9,910* | | | | |
| | 60 | 77.2 | 9,190* | 79.7 | 7,710* | | |
| | 70 | 74.6 | 8,520* | 77.1 | 7,360* | 79.4 | 6,240* |
| | 80 | 72.0 | 7,930* | 74.5 | 6,990* | 76.8 | 6,060* |
| | 90 | 69.4 | 6,840 | 71.8 | 6,580* | 74.1 | 5,820* |
| | 100 | 66.6 | 5,660 | 69.1 | 5,660 | 71.3 | 5,560* |
| | 110 | 63.9 | 4,720 | 66.3 | 4,720 | 68.5 | 4,720 |
| | 120 | 61.1 | 3,930 | 63.4 | 3,930 | 65.6 | 3,940 |
| | 130 | 58.1 | 3,280 | 60.5 | 3,280 | 62.6 | 3,280 |
| | 140 | 55.1 | 2,730 | 57.5 | 2,730 | 59.5 | 2,730 |
| 150 | 52.0 | 2,250 | 54.3 | 2,260 | 56.3 | 2,260 | |
| 160 | 48.7 | 1,830 | 51.0 | 1,840 | 52.9 | 1,840 | |
| 170 | 45.2 | 1,400 | 47.5 | 1,410 | 49.3 | 1,410 | |



American Crane Corporation
Wilmington, North Carolina

#7HL JIB RATINGS FOR MODEL 5300 CRAWLER CRANE
47H TUBULAR BOOM – W/4 SHEAVE TIP
40,000 LBS COUNTERWEIGHT

"RADIUS IN FEET" is the horizontal distance at ground level from the center pin to a vertical line through the center of gravity of the suspended load

The weight of all suspended blocks, slings, or other load carrying devices including those at the main fall, are considered part of the jib load. The weight of standard hoisting ropes for the rating at a given radii has been calculated as part of the jib point dead load and need not be considered in determining net allowable loads.

Ratings shown on this chart make no allowance for such factors as the effect of freely suspended loads, wind, ground conditions, and operating speeds. The user, therefore shall reduce ratings in order to take these conditions into account.

When using the main boom fall with the jib in place, the main fall ratings must be reduced by the jib effective weight shown on the jib composition chart and the weight of all suspended blocks, slings, etc., at the main fall and twice the weight of any such devices at the jib fall. All load carrying devices are considered part of the load.

Jib backstay line is .875" diameter wire rope with a minimum breaking strength of not less than 69,200 pounds.

Whipline is .75" diameter 6 x 25, P, RRL, FW, EIPS, IWRC wire rope with a minimum breaking strength of not less than 79,600 pounds.

Erection over the idler end with A-frame fully raised and idler tumblers blocked.
Erection over the side with A-frame fully raised and side frames extended. Blocks, slings, and other load carrying devices must be on the ground during erection.

Crane will self-erect 170' of boom with 60' of 7HL jib over the side and over the end.

Note: The weight of the minimum parts of line required to lift the rated load has already been considered in this chart. It need not be added to the load. This applies only to the load fall being used. If additional parts of line are reeved beyond the minimum required to handle a rated load, or if a second fall is in place but not used, the weight of these ropes should be added to the weight lifted.



American Crane Corporation
Wilmington, North Carolina 28412

#7HL Jib Ratings In Pounds
Model 5300 Crawler Crane
47H Tubular Boom - With 4 Sheave Tip
40,000 Pound Counterweight

JIB BACKSTAY LINE is 0.875 inch diameter wire rope with a minimum breaking strength of 69,200 pounds.

WHIP-LINE is 0.75 inch diameter of 6 x 25, P, RRL, FW, EIPS, IWRC wire rope with a minimum breaking strength of 58,800 pounds.

Erection over the idler end with A-Frame fully raised and idler tumblers blocked. Erection over the side with A-Frame fully raised and side frames extended. Blocks, slings and other load carrying devices must be on the ground during erection.

Crane will self-erect 170' of boom with 60' of 7HL Jib over the side and over the end.

| BOOM COMPOSITION CHART | | | | | |
|------------------------|---------------|----------------|----------------|----------------|---------------|
| BOOM LENGTH (FEET) | BOOM SECTIONS | | | | |
| | 20' 47H INNER | 10' 47H CENTER | 20' 47H CENTER | 30' 47H CENTER | 20' 47H OUTER |
| 40 | 1 | 0 | 0 | 0 | 1 |
| 50 | 1 | 1 | 0 | 0 | 1 |
| 60 | 1 | 0 | 1 | 0 | 1 |
| 70 | 1 | 0 | 0 | 1 | 1 |
| 80 | 1 | 1 | 0 | 1 | 1 |
| 90 | 1 | 0 | 1 | 1 | 1 |
| 100 | 1 | 0 | 0 | 2 | 1 |
| 110 | 1 | 1 | 0 | 2 | 1 |
| 120 | 1 | 0 | 1 | 2 | 1 |
| 130 | 1 | 0 | 0 | 3 | 1 |
| 140 | 1 | 1 | 0 | 3 | 1 |
| 150 | 1 | 0 | 1 | 3 | 1 |
| 160 | 1 | 0 | 0 | 4 | 1 |
| 170 | 1 | 1 | 0 | 4 | 1 |

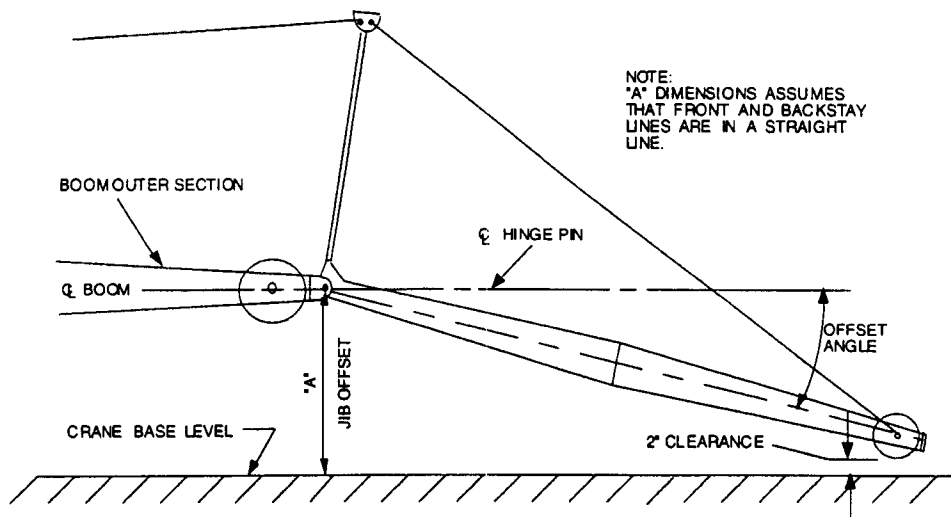
| LOAD HOISTING INFORMATION | | | |
|---------------------------------|-----------------------|--------------------------------|-----------|
| MAXIMUM LIFTING CAPACITY - LBS. | MINIMUM PARTS OF LINE | MAXIMUM HOISTING DISTANCE - FT | |
| | | MAIN DRUM - C.L.L. | AUX. DRUM |
| 16,000 | 1 | | 635' |



American Crane Corporation
Wilmington, North Carolina 28412

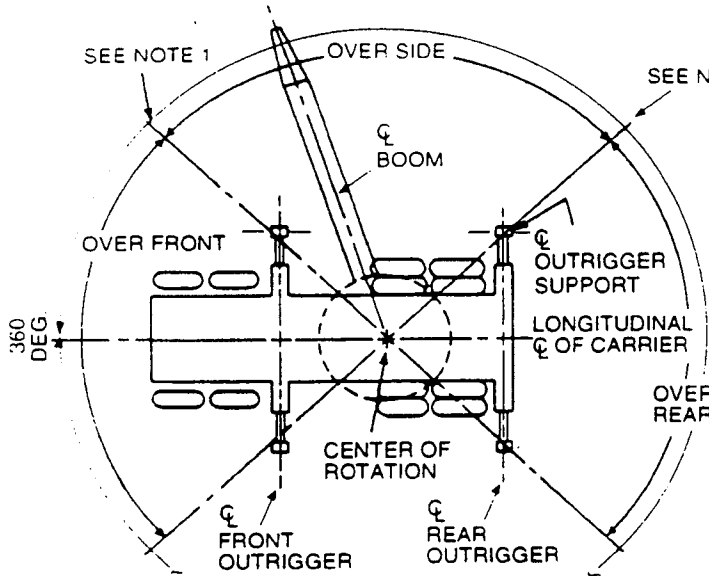
#7HL Jib Ratings In Pounds
Model 5300 Crawler Crane
47H Tubular Boom - With 4 Sheave Tip
40,000 Pound Counterweight

| #7HL JIB COMPOSITION CHART | | | | | | | | |
|----------------------------|-----------|------------|------------|-----------|--------------------------|------------------------|--------|--------|
| JIB LENGTH (FEET) | 10' INNER | 10' CENTER | 20' CENTER | 20' OUTER | EFF. JIB WEIGHT (POUNDS) | JIB OFFSET "A" IN FEET | | |
| | | | | | | 5° | 15° | 25° |
| 30 | 1 | 0 | 0 | 1 | 1,400 | 3.84' | 7.67' | 11.33' |
| 40 | 1 | 1 | 0 | 1 | 1,950 | 4.50' | 9.50' | 14.33' |
| 50 | 1 | 0 | 1 | 1 | 2,630 | 5.17' | 11.50' | 17.58' |
| 60 | 1 | 1 | 1 | 1 | 2,950 | 5.75' | 13.25' | 20.58' |

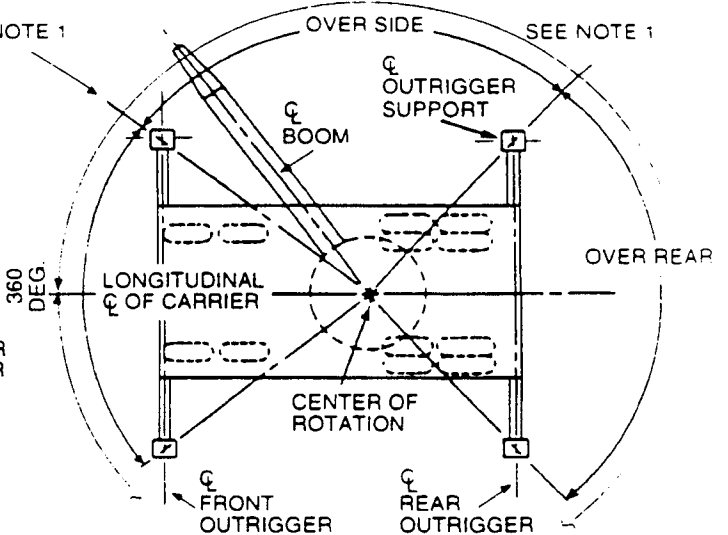




ALL SERIES IMPORTANT LOAD LIFTING RESTRICTIONS & REGULATIONS

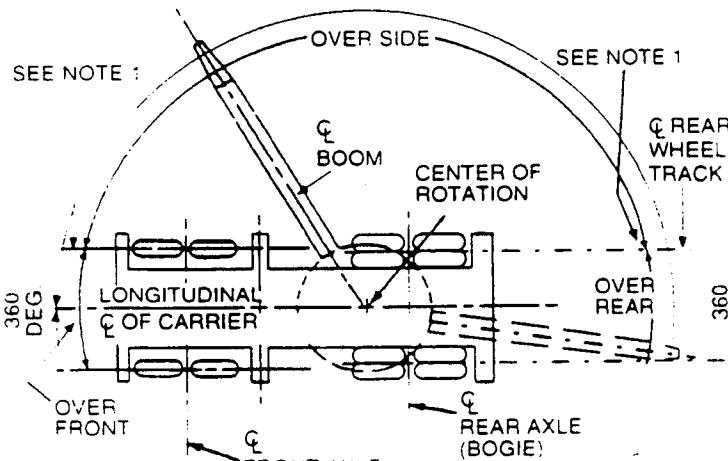


FRONT OUTRIGGER BEHIND FRONT WHEELS

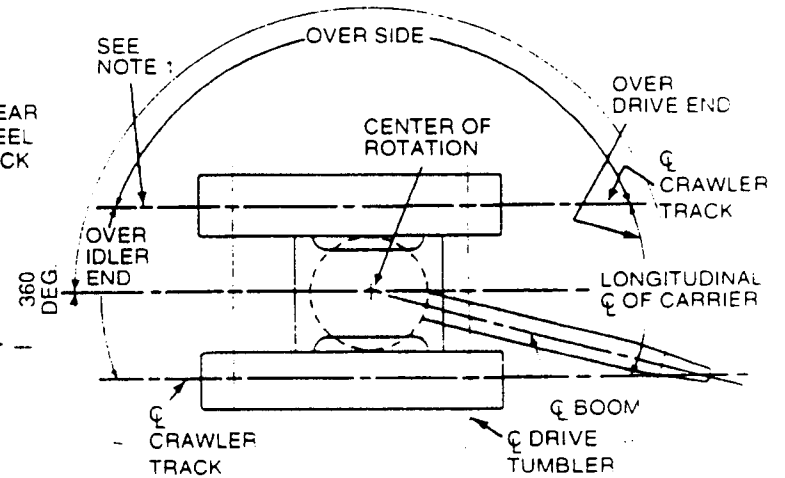


FRONT OUTRIGGER AHEAD OF FRONT WHEELS

CARRIERS ON OUTRIGGERS



CARRIER ON TIRES



CRAWLER TYPE LOWER

WORKING AREA DEFINITIONS

NOTE 1

These lines determine the limiting position of any load for operation within working areas indicated.