

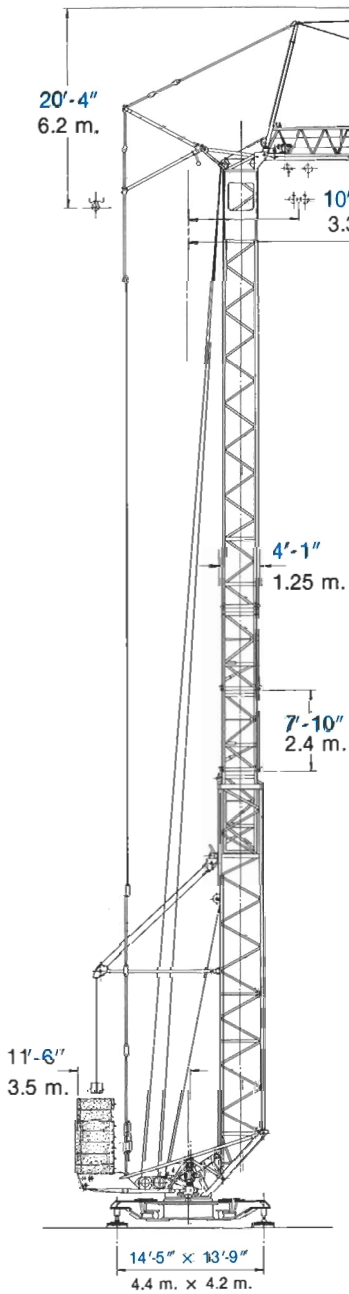
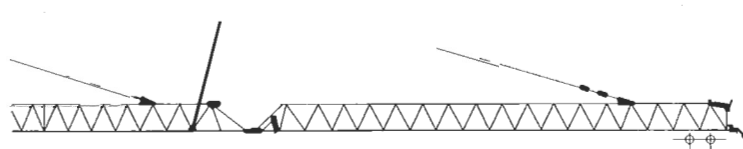
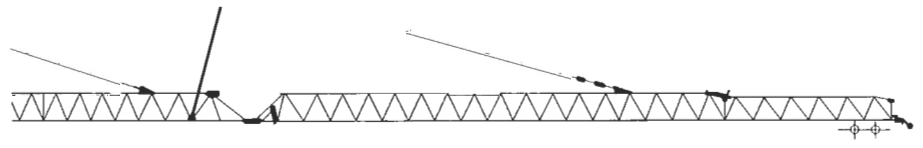
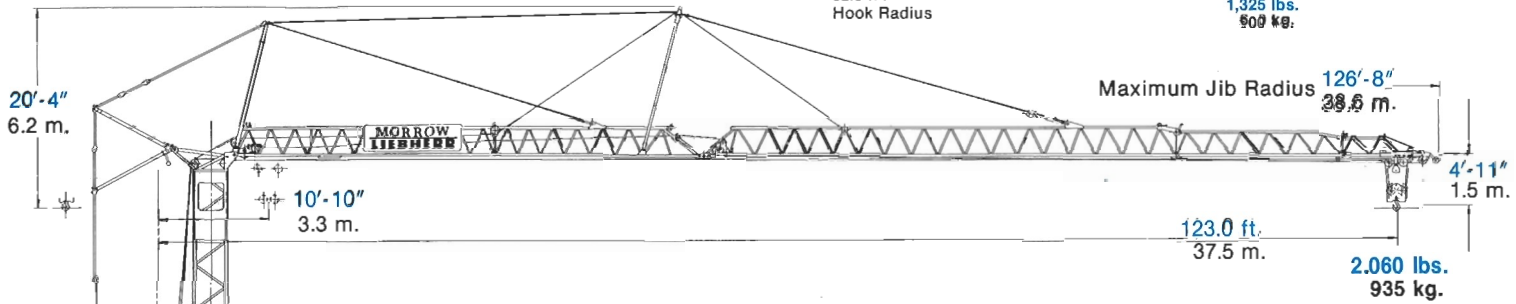
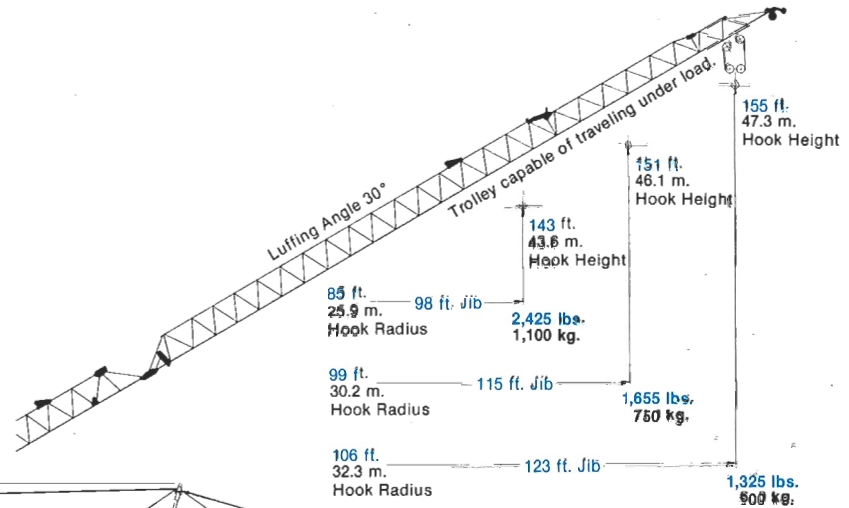
LIEBHERR FASTOWER 44K



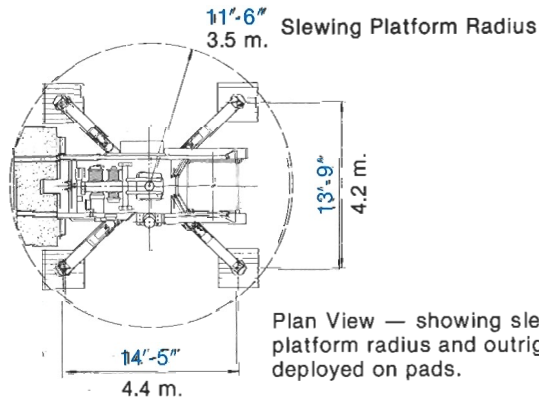
MORROW



44 K



Stationary
(on outriggers)

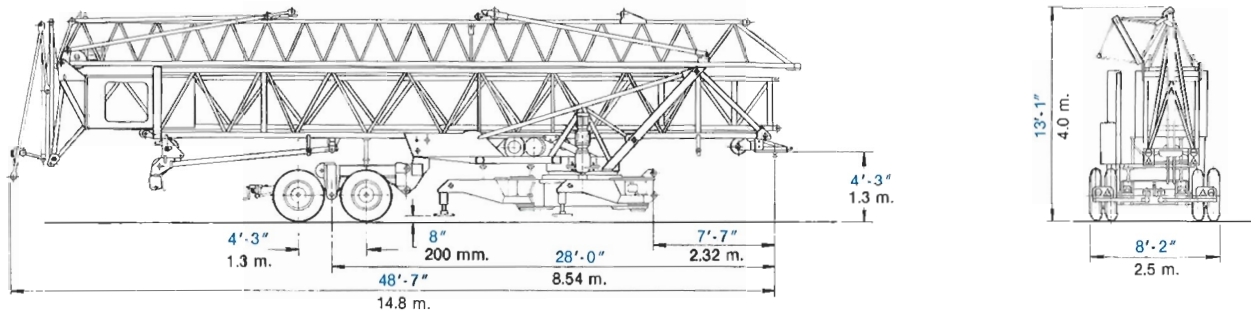


HOOK HEIGHT

| | | |
|---|--------|---------|
| MINIMUM Inner Tower Retracted | 45 ft. | 13.7 m. |
| STANDARD Inner Tower Extended | 76 ft. | 23.1 m. |
| ONE TOWER SECTION | 83 ft. | 25.4 m. |
| TWO TOWER SECTIONS | 91 ft. | 27.7 m. |
| THREE TOWER SECTIONS | 98 ft. | 30.0 m. |

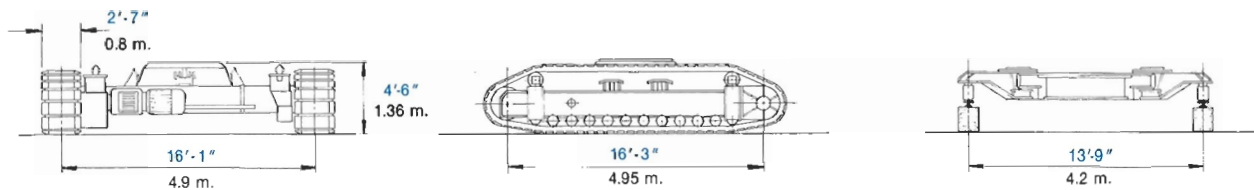
Mobile . . . Self-erecting . . . Efficient . . . Economical.

Built to excel on small to mid-sized construction and materials handling jobs. Loaded with cost-reducing features. That's the new FasTower crane by Liebherr. And they've been proving themselves for years on job sites around the world. Now they are available in North America from Morrow Crane Company on an immediate delivery basis.



Transporter
(Fifth wheel unit without counterweights)

OPTIONAL UNDERCARRIAGES



Crawler

Rail Traveling

LIEBHERR MODEL 44 K

RADIUS AND CAPACITIES

| HOOK RADIUS ft. m. | MAXIMUM CAPACITIES ft. lbs. m. kg. | | 2-PART LINE | | | | | | | | | | | | | | |
|--------------------------|--|----------------|-------------|----------------|----------------|----------------|----------------|----------------|----------------|----------------|----------------|----------------|----------------|----------------|----------------|--------------|--------------|
| | | | ft. m. | 60 18.3 | 65 19.8 | 70 21.3 | 75 22.9 | 80 24.4 | 85 25.9 | 90 27.4 | 95 29.0 | 98 30.0 | 105 32.0 | 110 33.5 | 115 35.0 | 120 36.6 | 123 37.5 |
| 123 37.5 | 68.1 4,410 | 20.75 2,000 | lbs. kg. | 4,410 2,000 | 4,410 2,000 | 4,255 1,930 | 3,900 1,770 | 3,590 1,630 | 3,340 1,515 | 3,100 1,405 | 2,890 1,310 | 2,755 1,250 | 2,535 1,150 | 2,390 1,085 | 2,260 1,025 | 2,125 965 | 2,060 935 |
| 115 35.0 | 71.7 4,410 | 21.85 2,000 | lbs. kg. | 4,410 2,000 | 4,410 2,000 | 4,410 2,000 | 4,160 1,890 | 3,830 1,740 | 3,565 1,620 | 3,320 1,505 | 3,095 1,405 | 2,955 1,340 | 2,725 1,235 | 2,565 1,165 | 2,425 1,100 | | |
| 98 30.0 | 78.1 4,410 | 23.80 2,000 | lbs. kg. | 4,410 2,000 | 4,410 2,000 | 4,410 2,000 | 4,410 2,000 | 4,275 1,940 | 3,985 1,805 | 3,710 1,680 | 3,460 1,570 | 3,305 1,500 | | | | | |

| HOOK RADIUS ft. m. | MAXIMUM CAPACITIES ft. lbs. m. kg. | | 4-PART LINE | | | | | | | | | | | | | | |
|--------------------------|--|---------------|-------------|----------------|----------------|----------------|----------------|----------------|----------------|----------------|----------------|----------------|----------------|----------------|----------------|--------------|--------------|
| | | | ft. m. | 40 12.2 | 50 15.2 | 60 18.3 | 70 21.3 | 80 24.4 | 85 25.9 | 90 27.4 | 95 29.0 | 98 30.0 | 105 32.0 | 110 33.5 | 115 35.0 | 120 36.6 | 123 37.5 |
| 123 37.5 | 39.4 8,820 | 12.0 4,000 | lbs. kg. | 8,670 3,930 | 6,490 2,945 | 5,145 2,335 | 4,255 1,930 | 3,590 1,630 | 3,340 1,515 | 3,100 1,405 | 2,890 1,310 | 2,755 1,250 | 2,535 1,150 | 2,390 1,085 | 2,260 1,025 | 2,125 965 | 2,060 935 |
| 115 35.0 | 41.3 8,820 | 12.6 4,000 | lbs. kg. | 8,820 4,000 | 6,915 3,135 | 5,490 2,490 | 4,535 2,060 | 3,830 1,740 | 3,565 1,620 | 3,320 1,505 | 3,095 1,405 | 2,955 1,340 | 2,725 1,235 | 2,565 1,165 | 2,425 1,100 | | |
| 98 30.0 | 44.6 8,820 | 13.6 4,000 | lbs. kg. | 8,820 4,000 | 7,675 3,480 | 6,100 2,765 | 5,060 2,295 | 4,275 1,940 | 3,985 1,805 | 3,710 1,680 | 3,460 1,570 | 3,305 1,500 | | | | | |

| JIB LENGTH ft. m. | HOOK RADIUS ft. m. | MAXIMUM CAPACITIES ft. lbs. m. kg. | | 2-PART LINE • JIB LUFFED 30° | | | | | | | | | | | | | | |
|-------------------------|--------------------------|--|---------------|------------------------------|----------------|----------------|----------------|----------------|----------------|----------------|----------------|----------------|----------------|----------------|--------------|--------------|--------------|--------------|
| | | | | ft. m. | 40 12.2 | 45 13.7 | 50 15.2 | 55 16.8 | 60 18.3 | 65 19.8 | 70 21.3 | 75 22.9 | 80 24.4 | 85 25.9 | 90 27.4 | 95 29.0 | 99 30.2 | 106 32.3 |
| 123 37.5 | 106 32.3 | 44.6 4,410 | 13.6 2,000 | lbs. kg. | 4,410 2,000 | 4,370 1,980 | 3,795 1,720 | 3,325 1,510 | 2,975 1,350 | 2,660 1,205 | 2,415 1,095 | 2,185 990 | 1,995 905 | 1,830 830 | 1,695 770 | 1,565 710 | 1,465 665 | 1,325 600 |
| 115 35.0 | 99 30.2 | 48.2 4,410 | 14.7 2,000 | lbs. kg. | 4,410 2,000 | 4,410 2,000 | 4,200 1,905 | 3,685 1,670 | 3,290 1,490 | 2,975 1,350 | 2,685 1,220 | 2,435 1,105 | 2,235 1,015 | 2,050 930 | 1,900 860 | 1,755 795 | 1,655 750 | |
| 98 30.0 | 85 25.9 | 54.8 4,410 | 16.7 2,000 | lbs. kg. | 4,410 2,000 | 4,410 2,000 | 4,410 2,000 | 4,375 1,985 | 3,910 1,775 | 3,525 1,600 | 3,210 1,455 | 2,925 1,325 | 2,670 1,210 | 2,425 1,100 | | | | |

WEIGHT SPECIFICATIONS*

| | | | |
|---|--------------------------------|---|--------------------------------|
| Transporter weight (5th wheel unit) (without counterweight) | 42,550 lbs./ 19,300 kg. | Dead weight (without counterweight) | 35,300 lbs./ 16,000 kg. |
| | | Counterweight (7 slabs) | 37,500 lbs./ 17,000 kg. |
| Maximum corner pressure (in operation) | 52,100 lbs./ 23,650 kg. | Tower sections (each) | 880 lbs./ 400 kg. |

*Weights are approximate. Specific information available from Morrow Crane Co., Inc.

Due to product improvements, specifications are subject to modification without notice.

MORROW CRANE CO., INC.

Specifications

HOIST SPEED AND CAPACITY

| HOIST UNIT | 2-PART LINE | | | | | |
|---|-------------|----------------------|---|--------------------|------------------------|-----------------------|
| | MOTOR SPEED | SPEED feet/minute | | CAPACITY pounds | SPEED meters/minute | CAPACITY kilograms |
| 20 HP 15 kW AC Hoist Unit Pole Changing (3-Speed) | 1 | 20 | @ | 4,410 | 6.0 | @ 2,000 |
| | 2 | 82 | @ | 4,410 | 25.0 | @ 2,000 |
| | 3 | 164 | @ | 3,000 | 50.0 | @ 1,350 |
| | 4-PART LINE | | | | | |
| | 1 | 10 | @ | 8,820 | 3.0 | @ 4,000 |
| | 2 | 41 | @ | 8,820 | 12.5 | @ 4,000 |
| | 3 | 82 | @ | 6,000 | 25.0 | @ 2,700 |

TROLLEY

| DRIVE UNIT | SPEED |
|------------------|--------------------------------------|
| 4.0 hp 3.0 kW | 59/125 ft./min. 18.0/37.0 m./min. |

SWING

| DRIVE UNIT | SPEED |
|------------------------------------|---------|
| 4.0 hp 3.0 kW Fluid Coupling | 0.8 rpm |

TRAVELING

| DRIVE UNIT | SPEED |
|--------------------------|-----------------------------|
| 2 × 2.0 hp 2 × 1.5 kW | 82 ft./min. 25.0 m./min. |

POWER REQUIREMENTS

440 volts, 3-phase, 60-cycle, 75 amp. service.
DO NOT exceed 460 volts.

MORROW LIEBHERR

FASTOWER CRANES Self-Erecting

| MODELS | | 24 K | 33 K | 44 K | 66 K | 77 K | 97 K | 145 K |
|-------------|------|-------|-------|-------|--------|--------|--------|--------|
| Maximum | ft. | 75 | 98 | 123 | 131 | 139 | 148 | 164 |
| Hook Radius | m. | 23.0 | 30.0 | 37.5 | 40.0 | 42.5 | 45.0 | 50.0 |
| Capacity | lbs. | 1,870 | 2,210 | 2,060 | 3,040 | 2,670 | 3,970 | 4,850 |
| at Maximum | kg. | 850 | 1,000 | 935 | 1,380 | 1,210 | 1,800 | 2,200 |
| Hook Radius | | | | | | | | |
| Maximum | lbs. | 3,860 | 6,620 | 8,820 | 11,030 | 13,230 | 26,460 | 26,460 |
| Capacity | kg. | 1,750 | 3,000 | 4,000 | 5,000 | 6,000 | 12,000 | 12,000 |

For more information on the 44 K FasTower and other models, contact Morrow Crane Co., Inc.

HC TOWER CRANES

| MODELS | | 70 HC | 88 HC | 132 HC | 200 HC | 280 HC | 281 HC | 390 HC | 550 HC |
|-------------|------|--------|--------|--------|--------|--------|--------|--------|--------|
| Maximum | ft. | 148 | 148 | 164 | 180 | 196 | 230 | 246 | 265 |
| Hook Radius | m. | 45.0 | 45.0 | 50.0 | 55.0 | 60.0 | 70.0 | 75.0 | 80.8 |
| Capacity | lbs. | 2,650 | 4,190 | 4,850 | 6,280 | 8,160 | 5,950 | 6,620 | 7,720 |
| at Maximum | kg. | 1,200 | 1,900 | 2,200 | 2,850 | 3,700 | 2,700 | 3,000 | 3,500 |
| Hook Radius | | | | | | | | | |
| Maximum | lbs. | 12,350 | 13,230 | 17,640 | 22,050 | 26,460 | 26,460 | 35,270 | 44,100 |
| Capacity | kg. | 5,600 | 6,000 | 8,000 | 10,000 | 12,000 | 12,000 | 16,000 | 20,000 |

MORROW CRANE CO., INC.

The American Home of
LIEBHERR

HEADQUARTERS: P.O. BOX 3306 • SALEM, OR 97302 U.S.A. • (503) 585-5721 TELEX 360-864

UNITED STATES: HEADQUARTERS — Salem, Oregon • Atlanta, GA • Chicago, IL • Cincinnati, OH • Dallas, TX • Denver, CO • Detroit, MI • Honolulu, HI • Houston, TX
Kansas City, MO • Los Angeles, CA • Minneapolis, MN • New Orleans, LA • New York, NY • Phoenix, AZ • San Francisco, CA • Tampa, FL • Washington, DC
AUSTRALIA (Sydney) • CANADA (Edmonton, Toronto) • NEW ZEALAND (Wellington)