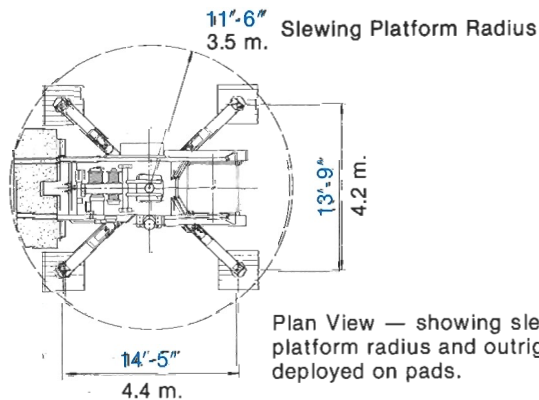
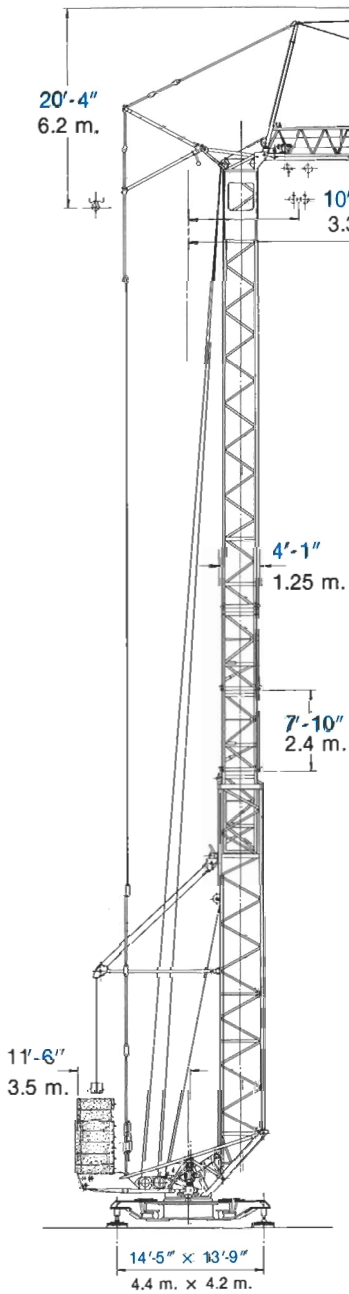
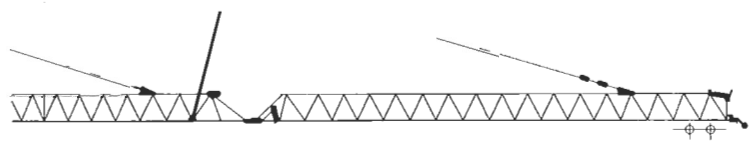
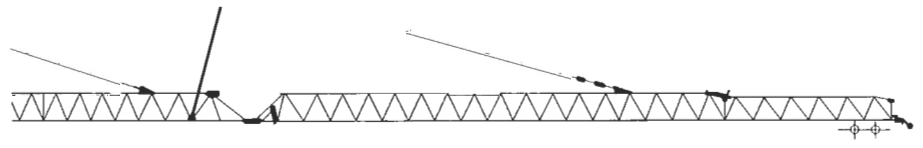
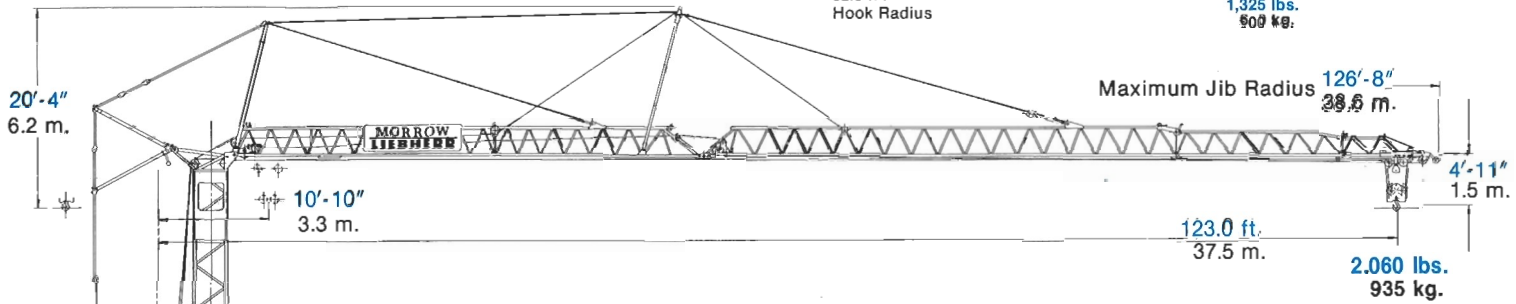
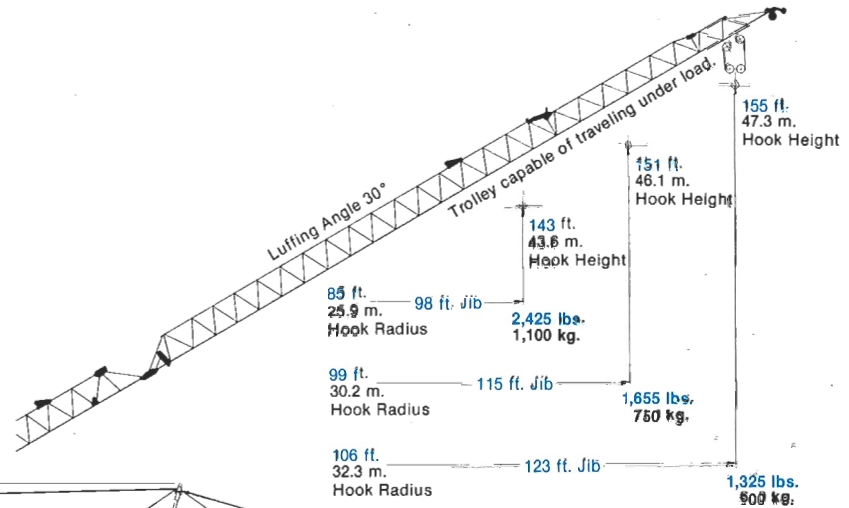


LIEBHERR FASTOWER 44K



44 K



HOOK HEIGHT

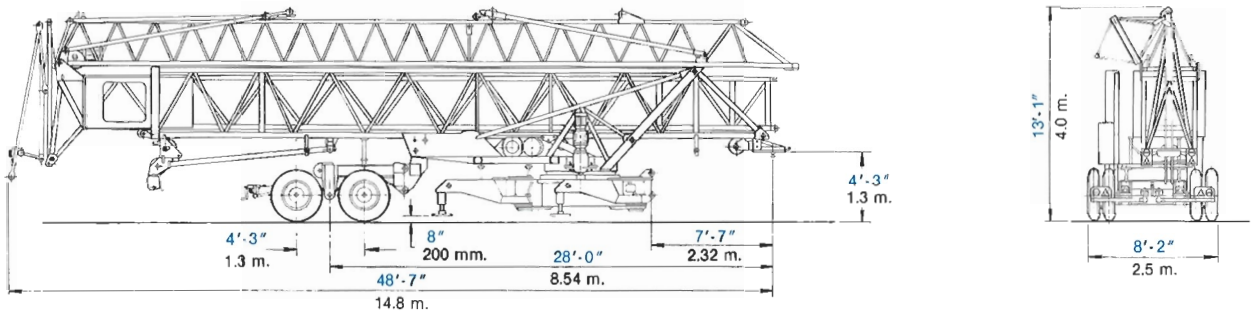
MINIMUM Inner Tower Retracted	45 ft.	13.7 m.
STANDARD Inner Tower Extended	76 ft.	23.1 m.
ONE TOWER SECTION	83 ft.	25.4 m.
TWO TOWER SECTIONS	91 ft.	27.7 m.
THREE TOWER SECTIONS	98 ft.	30.0 m.

Stationary
(on outriggers)

Plan View — showing slewing platform radius and outriggers deployed on pads.

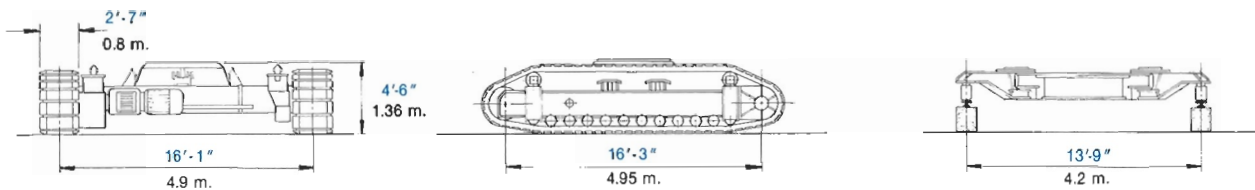
Mobile . . . Self-erecting . . . Efficient . . . Economical.

Built to excel on small to mid-sized construction and materials handling jobs. Loaded with cost-reducing features. That's the new FasTower crane by Liebherr. And they've been proving themselves for years on job sites around the world. Now they are available in North America from Morrow Crane Company on an immediate delivery basis.



Transporter
(Fifth wheel unit without counterweights)

OPTIONAL UNDERCARRIAGES



Crawler

Rail Traveling

LIEBHERR MODEL 44 K

RADIUS AND CAPACITIES

HOOK RADIUS ft. m.	MAXIMUM CAPACITIES ft. lbs. m. kg.		2-PART LINE														
			ft. m.	60 18.3	65 19.8	70 21.3	75 22.9	80 24.4	85 25.9	90 27.4	95 29.0	98 30.0	105 32.0	110 33.5	115 35.0	120 36.6	123 37.5
123 37.5	68.1 4,410	20.75 2,000	lbs. kg.	4,410 2,000	4,410 2,000	4,255 1,930	3,900 1,770	3,590 1,630	3,340 1,515	3,100 1,405	2,890 1,310	2,755 1,250	2,535 1,150	2,390 1,085	2,260 1,025	2,125 965	2,060 935
115 35.0	71.7 4,410	21.85 2,000	lbs. kg.	4,410 2,000	4,410 2,000	4,410 2,000	4,160 1,890	3,830 1,740	3,565 1,620	3,320 1,505	3,095 1,405	2,955 1,340	2,725 1,235	2,565 1,165	2,425 1,100		
98 30.0	78.1 4,410	23.80 2,000	lbs. kg.	4,410 2,000	4,410 2,000	4,410 2,000	4,410 2,000	4,275 1,940	3,985 1,805	3,710 1,680	3,460 1,570	3,305 1,500					

HOOK RADIUS ft. m.	MAXIMUM CAPACITIES ft. lbs. m. kg.		4-PART LINE														
			ft. m.	40 12.2	50 15.2	60 18.3	70 21.3	80 24.4	85 25.9	90 27.4	95 29.0	98 30.0	105 32.0	110 33.5	115 35.0	120 36.6	123 37.5
123 37.5	39.4 8,820	12.0 4,000	lbs. kg.	8,670 3,930	6,490 2,945	5,145 2,335	4,255 1,930	3,590 1,630	3,340 1,515	3,100 1,405	2,890 1,310	2,755 1,250	2,535 1,150	2,390 1,085	2,260 1,025	2,125 965	2,060 935
115 35.0	41.3 8,820	12.6 4,000	lbs. kg.	8,820 4,000	6,915 3,135	5,490 2,490	4,535 2,060	3,830 1,740	3,565 1,620	3,320 1,505	3,095 1,405	2,955 1,340	2,725 1,235	2,565 1,165	2,425 1,100		
98 30.0	44.6 8,820	13.6 4,000	lbs. kg.	8,820 4,000	7,675 3,480	6,100 2,765	5,060 2,295	4,275 1,940	3,985 1,805	3,710 1,680	3,460 1,570	3,305 1,500					

JIB LENGTH ft. m.	HOOK RADIUS ft. m.	MAXIMUM CAPACITIES ft. lbs. m. kg.		2-PART LINE • JIB LUFFED 30°														
				ft. m.	40 12.2	45 13.7	50 15.2	55 16.8	60 18.3	65 19.8	70 21.3	75 22.9	80 24.4	85 25.9	90 27.4	95 29.0	99 30.2	106 32.3
123 37.5	106 32.3	44.6 4,410	13.6 2,000	lbs. kg.	4,410 2,000	4,370 1,980	3,795 1,720	3,325 1,510	2,975 1,350	2,660 1,205	2,415 1,095	2,185 990	1,995 905	1,830 830	1,695 770	1,565 710	1,465 665	1,325 600
115 35.0	99 30.2	48.2 4,410	14.7 2,000	lbs. kg.	4,410 2,000	4,410 2,000	4,200 1,905	3,685 1,670	3,290 1,490	2,975 1,350	2,685 1,220	2,435 1,105	2,235 1,015	2,050 930	1,900 860	1,755 795	1,655 750	
98 30.0	85 25.9	54.8 4,410	16.7 2,000	lbs. kg.	4,410 2,000	4,410 2,000	4,410 2,000	4,375 1,985	3,910 1,775	3,525 1,600	3,210 1,455	2,925 1,325	2,670 1,210	2,425 1,100				

WEIGHT SPECIFICATIONS*

Transporter weight (5th wheel unit) (without counterweight)	42,550 lbs./ 19,300 kg.	Dead weight (without counterweight)	35,300 lbs./ 16,000 kg.
Maximum corner pressure (in operation)	52,100 lbs./ 23,650 kg.	Counterweight (7 slabs)	37,500 lbs./ 17,000 kg.
		Tower sections (each)	880 lbs./ 400 kg.

*Weights are approximate. Specific information available from Morrow Crane Co., Inc.

Specifications

HOIST SPEED AND CAPACITY

HOIST UNIT	2-PART LINE					
	MOTOR SPEED	SPEED feet/minute		CAPACITY pounds	SPEED meters/minute	CAPACITY kilograms
20 HP 15 kW AC Hoist Unit Pole Changing (3-Speed)	1	20	@	4,410	6.0	@ 2,000
	2	82	@	4,410	25.0	@ 2,000
	3	164	@	3,000	50.0	@ 1,350
	4-PART LINE					
	1	10	@	8,820	3.0	@ 4,000
	2	41	@	8,820	12.5	@ 4,000
	3	82	@	6,000	25.0	@ 2,700

TROLLEY

DRIVE UNIT	SPEED
4.0 hp 3.0 kW	59/125 ft./min. 18.0/37.0 m./min.

SWING

DRIVE UNIT	SPEED
4.0 hp 3.0 kW Fluid Coupling	0.8 rpm

TRAVELING

DRIVE UNIT	SPEED
2 × 2.0 hp 2 × 1.5 kW	82 ft./min. 25.0 m./min.

POWER REQUIREMENTS

440 volts, 3-phase, 60-cycle, 75 amp. service.

DO NOT exceed 460 volts.