

DVS-29

VAN MOUNTED AERIAL LIFT TELESCOPIC, NON-INSULATED

Shown with optional
walk-in basket



DVS-29



STANDARD FEATURES

- Adjustable wear blocks on main boom
- Positive lock basket
- 110 V Outlet at basket
- Environmentally sealed toggle switches
- Self locking shear ball gear drive rotation
- Greaseless Bearings

OPTIONAL FEATURES

- Hydraulic basket leveling
- Hydraulic basket stow
- End hung basket
- Walk-in basket
- Full function D.C. Emergency Backup
- Lower remote controls
- Electric joystick

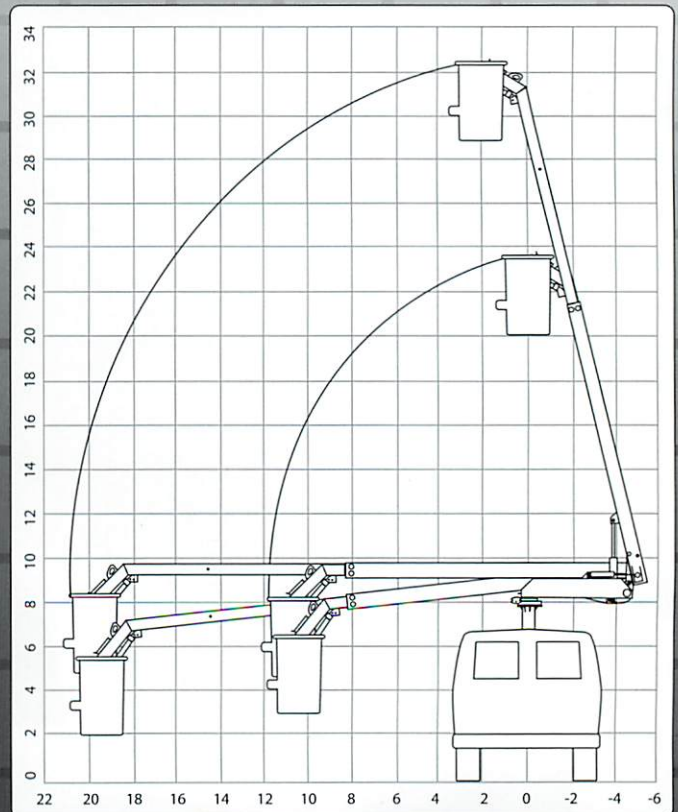
SPECIFICATIONS

Platform Height	29'
Working Height	34'
Maximum Side Reach	21'
Boom Travel	-5° + 80°
Basket Capacity	350#
Stowed Height	9' 8"
Chassis Requirements	9600 GVW
Front GVWR Req'mnts	3900# Minimum
Rotation	Non-Continuous
Basket Leveling	Gravity
Controls	Electric/Hydraulic
Control Location	Both, Lower Override
Max. Operating Pressure	2,100 PSI
Main Boom Material	5" x 7" Rectangular Steel
Extension Boom Material	4" x 6" Rectangular Steel

Power Source 12V D.C. PTO/Fan Belt Driven Pump
or Engine Generator

*Consult Factory for Diesel Engine Applications

REACH & ELEVATION



DUR-A-LIFT

DUR-A-LIFT INC.

P.O. Box 31 • 2002 Kingbird Ave.

George, IA 51237

Ph: 877-4-DURALIFT (877) 438-7254

Fax: 712-475-2809

sales@dur-a-lift.com

www.dur-a-lift.com

Distributed by: