

Grove GMK6400

North American Product Guide

ASME B30.5
Imperial 85%

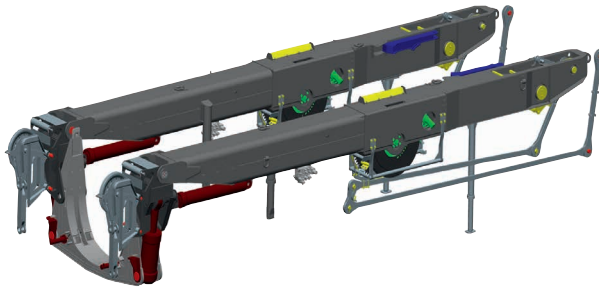


Features

- 400 t (450 USt) rating
- 15,4 m - 60 m (51 ft - 197 ft) five-section boom
- 25 m - 79 m (82 ft - 259 ft) luffing jib
- Self-rigging MegaWingLift™
- 135 t (297,600 lb) counterweight with hydraulic removal system
- MegaDrive™ hybrid drive system
- Self-rigging auxiliary hoist
- Self-rigging removable rear outrigger box



Features



MegaWingLift™

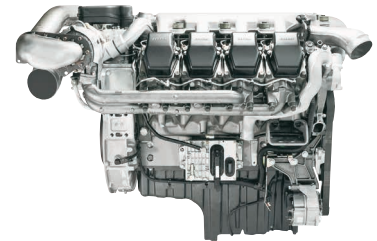
The new, patented self-rigging MegaWingLift™ reduces transportation and erection costs to a minimum. Both the MegaWingLift™ and the auxiliary hoist can be installed without an auxiliary crane.

- Transport weight: < 11 t (24,000 lb)
- Transport height: < 2500 mm (8.2 ft)



Engine

The GMK6400 comes equipped with a turbocharged OM 502 LA with eight-cylinder and 405kW Tier 4i/Euromot IIIb water-cooled Mercedes-Benz diesel engine.

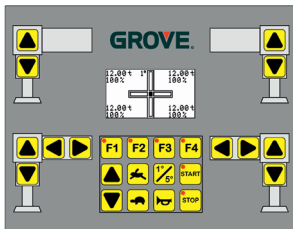


Carrier cab

The new carrier cab offers increased comfort and ergonomic instrumentation, an improved heating and cooling system with air conditioning as standard, full width cab for added visibility, better aerodynamics, and is manufactured from rust free glass-fiber and aluminum composite to provide longer life and noise reduction.

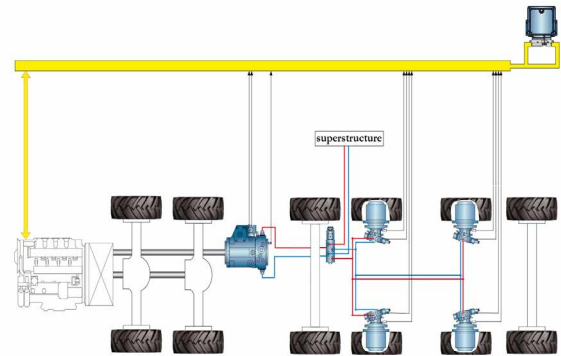
CraneSTAR

CraneSTAR is an exclusive and innovative crane asset management system that helps improve your profitability and reduce costs by remotely monitoring critical crane data. Visit www.cranestar.com for more information.



Man-Machine Interface

The new MMI display allows the control of the MEGATRAK™ suspension from both sides of the carrier. Adjustment of ground clearance independently of the outriggers. Flexibility on jobsite to react to varied site conditions. Outrigger pressure monitoring is standard. Active suspension control.



MegaDrive™

A mixture of conventional drive at the front and hybrid drive for slow speed. That creates the following advantages for you:

- Automatic on/off of MegaDrive™: over 25km/h (16 mph) off, less than 20 km/h (12 mph)
- Better traction in bad surface conditions
- Longer lifecycle of parts because of less direct contact
- Smooth and powerful acceleration from standstill

Additional features

- Strongest heavy duty 6-axle crane on the market
- Easy logistics and good transportability
- Easy and fast setup
- Symmetric 10 t (22,000 lb) counterweight slabs
- Self-rigging auxiliary hoist
- Strong 79 m (259 ft) luffing jib/ 64 m (210 ft) fixed lattice extension (shared components)

Contents

Specifications	4
Dimensions	7
Transport proposal	12
Main boom (working range/load charts)	15
Main boom and MegaWingLift™ (working range/load charts)	24
Main boom and lattice extension (working range/load charts)	31
Main boom, lattice extension and MegaWingLift™ (working range/load charts)	35
Main boom and luffing jib (working range/load charts)	39
Main boom, luffing jib and MegaWingLift™ (working range/load charts)	49
Main boom and heavy duty jib (working range/load charts)	59
Main boom, heavy duty jib and MegaWingLift™ (working range/load charts)	63
Symbols glossary	67

Specifications

Superstructure

Boom

15,4 m - 60,0 m (51 ft - 197 ft) 5-section, full power MEGAFORM™ boom with TWIN-LOCK™ Pinning.
Maximum tip height: 63 m (206 ft).

Boom nose

Ten nylatron sheaves, mounted on heavy duty tapered roller bearings with removable pin-type rope guards. Quick reeve boom nose. Removable auxiliary boom nose with removable pin type rope guard.

Boom elevation

Single lift cylinder with safety valve provides boom angle from -1.5° to +82°.

*Optional jibs

25 m - 79 m (82 ft - 259 ft) luffing jib and offsettable 12 m - 64 m (39 ft - 210 ft) fixed jib (3° to 25°).
Maximum tip height: 136.6 m (448 ft).

*MegaWingLift™

Lift enhancing system to improve load charts. The self-rigging MegaWingLift™ can be installed without the help of an auxiliary crane.

Load moment and anti-two block system

Load moment and anti-two block system with audio/visual warning and control lever lockout provides electronic display of boom angle, length, radius, tip height, relative load moment, maximum permissible load, load indication and warning of impending two-block condition.

Cab

All aluminum constructed cab with acoustical lining, hydraulic tilted to 20°. Includes tinted safety glass, adjustable operator's seat, opening windows at side and rear, hinged windshield with wiper, sun visor and window shade. Other features include hot water heater/defroster, armrest integrated crane controls, ergonomically arranged instrumentation and radio/CD player, air conditioning, working range limiter and engine independent diesel cab heater, with engine pre-heater and includes a 24-hour timer.

Swing

3 planetary gear boxes with fixed displacement axial piston motors. Infinitely variable to 1.4 rpm. Free swing or hydrostatically engaged brake controlled by swing lever. Swing brake selected by foot operated switch.

Counterweight

135 t (297,600 lb) consisting of various sections with hydraulic installation/removal system controlled from the superstructure cab. Vehicle width 3,0 m (9.8 ft).

Electrical system

3 phase alternator: 28V/100A
2 batteries: 12V/170Ah
Lighting system and signals 24V.

Hydraulic motor

235 kW (315 hp) Rexroth. Maximum torque 660 Nm (487 ft/lb). Supplied by hydraulic carrier pumps.

Hydraulic system

Hydraulic tank capacity: 1300 L (343 gal)
Five separate circuits, three axial piston variable displacement pumps with power limiting control, one axial piston variable displacement pump for slewing and one fixed displacement pump for auxiliary gears. Standard thermostatically controlled oil coolers keep oil at optimum operating temperature. Driven by hydraulic motor.

Hoist

Main and auxiliary hoist are powered by axial piston motor with planetary gear and brake. "Thumb-thumper" hoist drum rotation indicator alerts operator of hoist movement.

	Main	Auxiliary
Rope length	380 m (1247 ft)	690 m (2263 ft)
Rope diameter	24 mm	24 mm
Line speed	120 m/min (394 fpm)	120 m/min (394 fpm)
Line pull	110 kN (24,728 lb)	104 kN (23,380 lb)

Hoist camera and light included.

Auxiliary hoist is self-rigging.

Specifications

Superstructure continued

*Optional hookblocks

Lifting capacity	Sheaves	Weight	Possible load with the crane*
250 t (275 USt)	9	3000 kg (6614 lb)	202 t (223 USt)
200 t (220 USt)	7	2400 kg (5291 lb)	157 t (173 USt)
160 t (176 USt)	5	1800 kg (3669 lb)	123 t (136 USt)
100 t (110 USt)	3	1300 kg (2866 lb)	79 t (87 USt)
40 t (44 USt)	1	850 kg (1874 lb)	34 t (38 USt)
16 t (18 USt)	H/B	450 kg (992 lb)	11,2 t (12.3 USt)

* varies depending on national regulations

*Optional equipment

- ▶ Work lights, mounted on boom base section
- ▶ Boom mounted aircraft warning light
- ▶ Hook blocks/headache ball
- ▶ Strobe light
- ▶ Data logger
- ▶ 360° NYC swing lock
- ▶ Boom removal kit
- ▶ 1 m (3.3 ft) adapter winch can be used to make up 3,5 m (11.5 ft) or 7,5 m (24.6 ft) heavy duty jib

Carrier



Chassis

Box type, torsion resistant frame is fabricated from high strength steel.



Transmission

ZF AS Tronic 12 Electronic automatic shifting. Kessler W2500 single stage transfer case.



Outrigger system

Four hydraulic two stage outrigger beams with vertical cylinders and outrigger pads, 700 mm (27.6 in) round. Outrigger can be set in 5 positions:

Full: 8,5 m (27.9 ft)

Partial: 7,4 m (24.3 ft)

Partial: 6,3 m (20.7 ft)

Partial: 5,0 m (16.4 ft)

Retracted: 2,7 m (8.9 ft)

Independent horizontal and vertical movement controlled from each side of carrier and the superstructure cab. Electronic crane level indicators. Hydraulic disconnect for front outrigger beams and removable rear outrigger box. Work light for each outrigger beam and outrigger pad load indicator with read out on both sides of carrier and in superstructure cabin. Includes outrigger monitoring system.



Drive/steer

12 x 8 x 12

MegaDrive™

Hydrostatic hybrid drive system with axles 4 and 5 hydrostatically driven. Axles disconnect at speeds greater than 25 km/h (16 mph) and connect at speeds below 20 km/h (12 mph).



Suspension

Grove exclusive MEGATRAK™ suspension. Independent hydro-pneumatic system acting on all wheels with hydraulic lockout. Suspension can be raised 220 mm (8.7 in) or lowered 80 mm (3.1 in), both longitudinally and transversely. Features an automatic leveling system for highway travel. Active suspension control on outrigger control units.

Specifications

Carrier continued

Axles

1st axle line – drive/steer

2nd axle line – drive/steer

3rd axle line – steer

4th axle line – drive/steer

(disconnects >25 km/h [16 mph])

5th axle line – drive/steer

(disconnects >25 km/h [16 mph])

6th axle line – steer

Axles 1 and 2 with planetary hub reduction and center mounted gearing. Axles 4 and 5 MegaDrive™.

Tires

12 tires, 16.00R25 (445/95R25)
(vehicle width – 3,0 m [9.8 ft])

Steering

Dual circuit, hydraulic power assisted steering system. Transfer case mounted, ground driven emergency steering pump. Axles 1, 2, 5 and 6 steer on highway, axles 3 and 4 disconnect at speeds greater than 25 km/h (16 mph). Separate steering (steer by wire) of the 3rd to 6th axles for all wheel and crab steering, controlled by an electronic rocker switch.

Engine

Mercedes Benz OM 502 LA, eight-cylinder Tier 4i
Horsepower: 405 kW (551 hp) at 1800 rpm
Torque: 2600 Nm (1918 ft/lb) at 1300 rpm
Engine emissions: EPA /CARB/EUROMOT (off road)

Fuel tank capacity

650 L (172 gal)

Brakes

Service brakes: pneumatic dual circuit acting on all wheels.

Parking brake: pneumatically operated spring loaded brake acting on axle lines 2, 4, 5 and 6.

Air dryer.

Cab

Two-man, composite designed aluminum and fiber reinforced plastic construction with the following features: safety glass, driver seat with pneumatic suspension, engine-dependent hot water heater, power windows, heated rear view mirrors, complete instrumentation, driving controls, reversing camera system, air conditioning, radio/CD player, 12V plug and fire extinguisher.

Electrical system

24V system with three phase alternator, 28V/100A
2 batteries, 12V/170 Ah

Maximum speed

85 km/h (53 mph)

Gradeability (theoretical)

50% - 14.00R25 (385/95R25) tires

50% - 16.00R25 (445/95R25) / 20.5R25 (525/80R25) tires

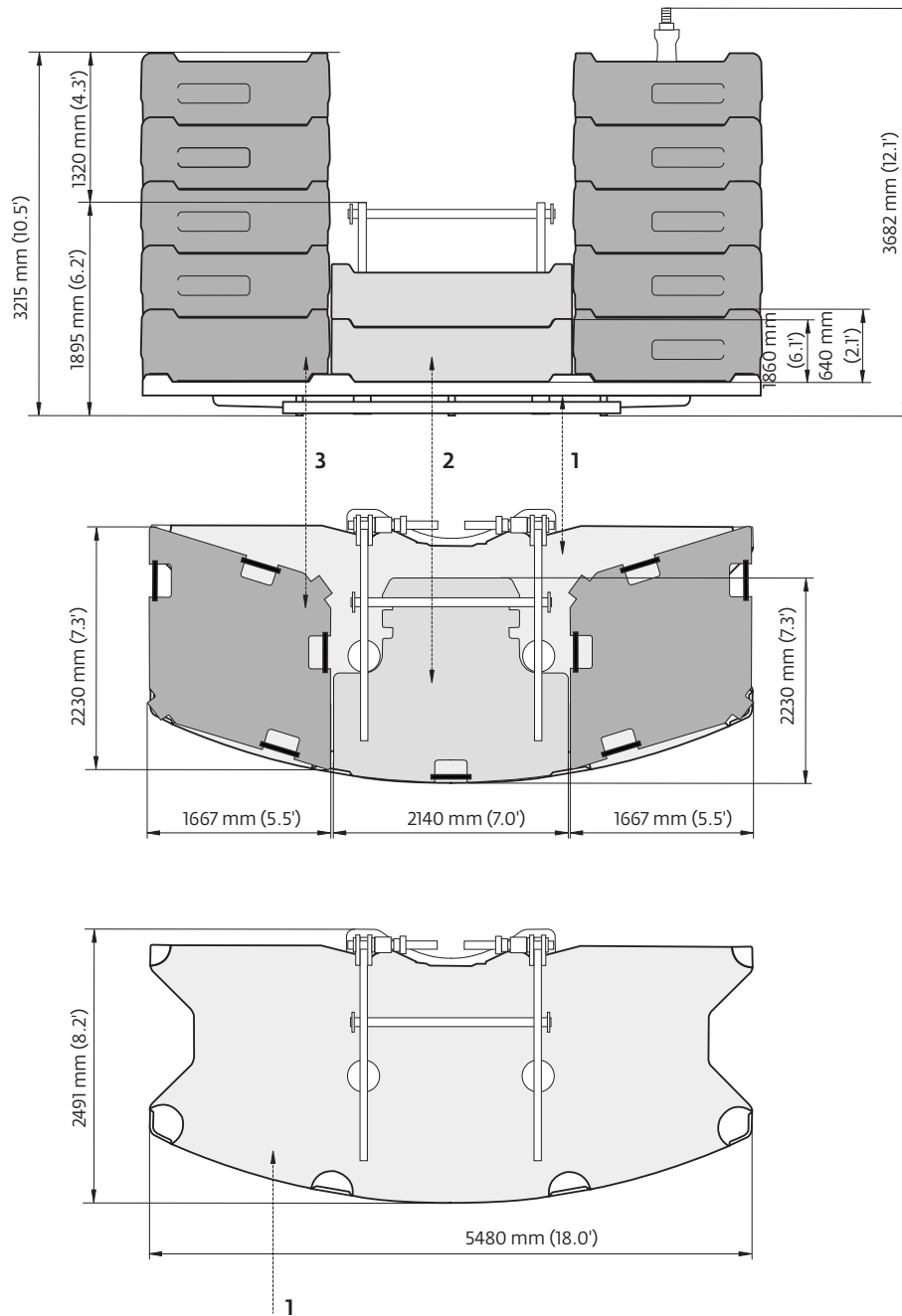
Miscellaneous standard equipment

Work lights; tool kit, fire extinguishers, auxiliary boom nose and wind speed indicator, CraneSTAR asset management system.

*Optional equipment

- ▶ 14.00R25 (385/95R25) tires
(vehicle width. 3 m [9.8 ft])
- ▶ 20.5R25 (525/80R25) tires
(vehicle width. 3,1 m [10.2 ft])
- ▶ Hydraulic driveline retarder integrated into Allison transmission
- ▶ Engine independent diesel cab heater, with engine pre-heater. Includes 24 hour timer.
- ▶ Strobe light
- ▶ Spare tire and wheel with carry bracket
- ▶ Trailer hitch
- ▶ Steel outrigger pads
- ▶ Engine shut down valve
- ▶ Tier III Engine: Mercedes Benz OM 502 LA, 420 kW (571 hp) at 1800 rpm.
Max-torque: 2700 Nm at 1080 rpm

Dimensions



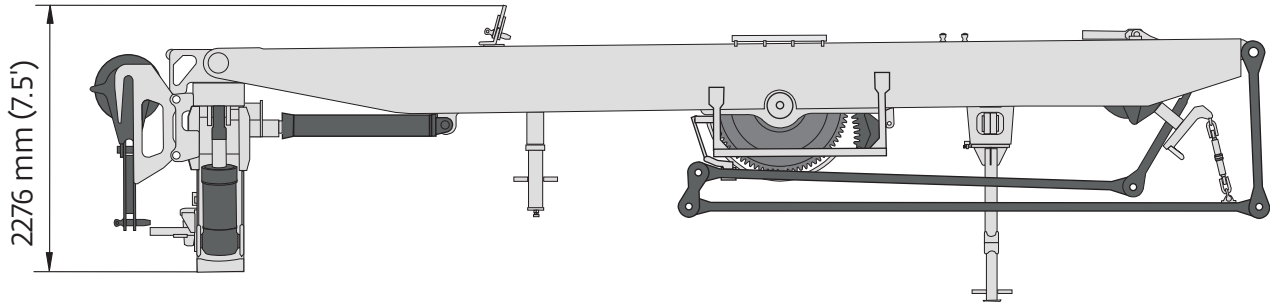
	①	②	③
15,0 t (33,000 lb)	X		
35,0 t (77,000 lb)	X		2X
55,0 t (121,000 lb)	X	2X	2X
75,0 t (165,500 lb)	X	2X	4X
95,0 t (209,500 lb)	X	2X	6X
115,0 t (253,500 lb)	X	2X	8X
135,0 t (297,600 lb)	X	2X	10X

THIS CHART IS ONLY A GUIDE AND SHOULD NOT BE USED TO OPERATE THE CRANE.

The individual crane's load chart, operating instructions and other instructional plates must be read and understood prior to operating the crane.

Dimensions

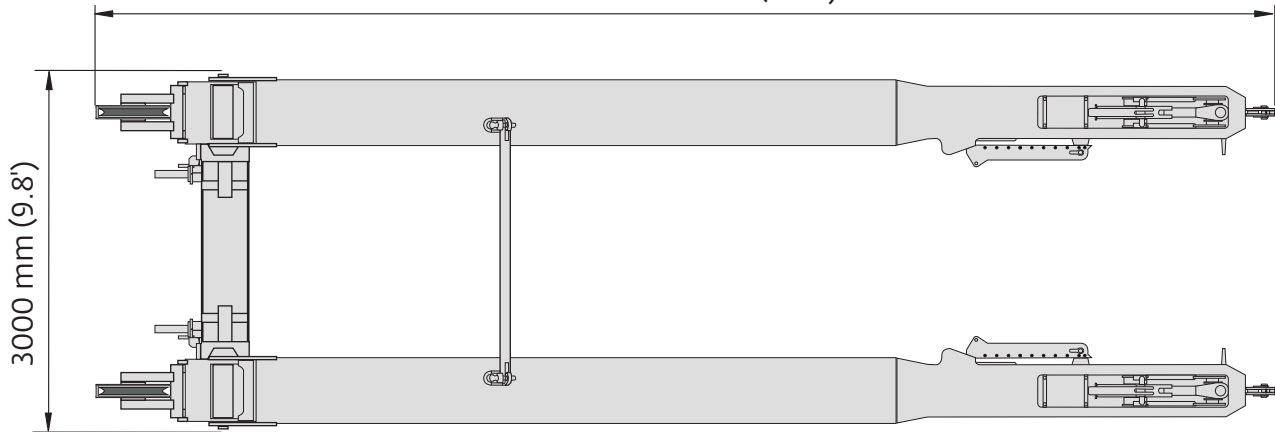
MegaWingLift™



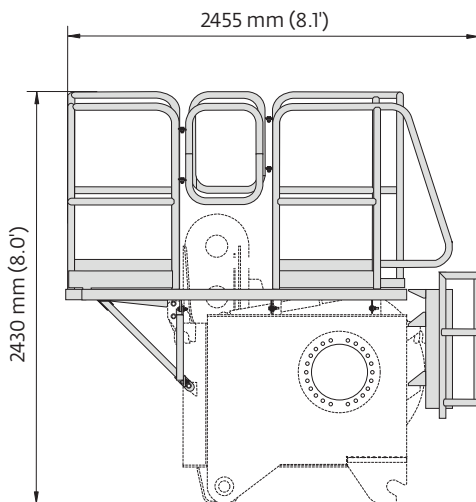
Weight

11 135 kg (24,550 lb)

10 033 mm (32.9')

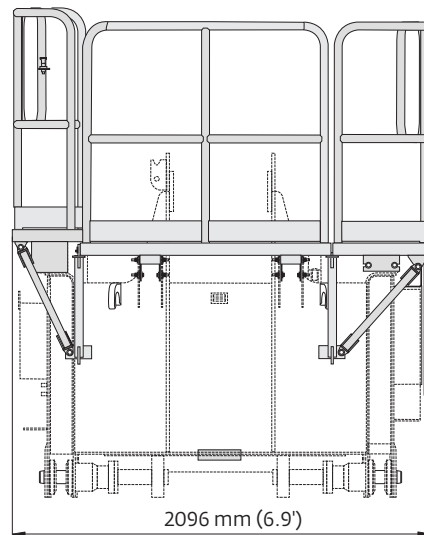


Auxiliary hoist



Weight

5000 kg (11,023 lb)

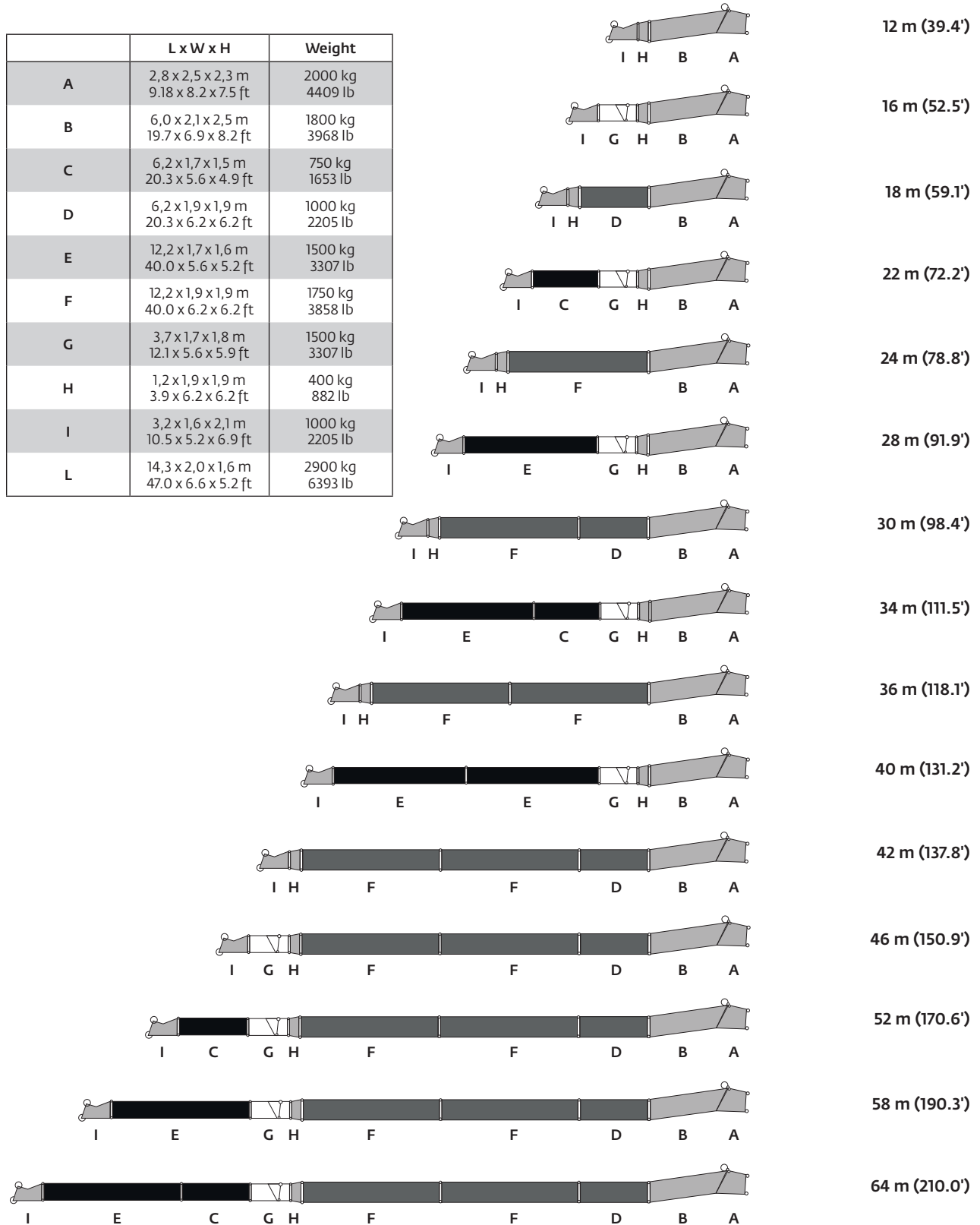


Dimensions

Lattice extension

Lattice extension dimensions

	L x W x H	Weight
A	2,8 x 2,5 x 2,3 m 9.18 x 8.2 x 7.5 ft	2000 kg 4409 lb
B	6,0 x 2,1 x 2,5 m 19.7 x 6.9 x 8.2 ft	1800 kg 3968 lb
C	6,2 x 1,7 x 1,5 m 20.3 x 5.6 x 4.9 ft	750 kg 1653 lb
D	6,2 x 1,9 x 1,9 m 20.3 x 6.2 x 6.2 ft	1000 kg 2205 lb
E	12,2 x 1,7 x 1,6 m 40.0 x 5.6 x 5.2 ft	1500 kg 3307 lb
F	12,2 x 1,9 x 1,9 m 40.0 x 6.2 x 6.2 ft	1750 kg 3858 lb
G	3,7 x 1,7 x 1,8 m 12.1 x 5.6 x 5.9 ft	1500 kg 3307 lb
H	1,2 x 1,9 x 1,9 m 3.9 x 6.2 x 6.2 ft	400 kg 882 lb
I	3,2 x 1,6 x 2,1 m 10.5 x 5.2 x 6.9 ft	1000 kg 2205 lb
L	14,3 x 2,0 x 1,6 m 47.0 x 6.6 x 5.2 ft	2900 kg 6393 lb



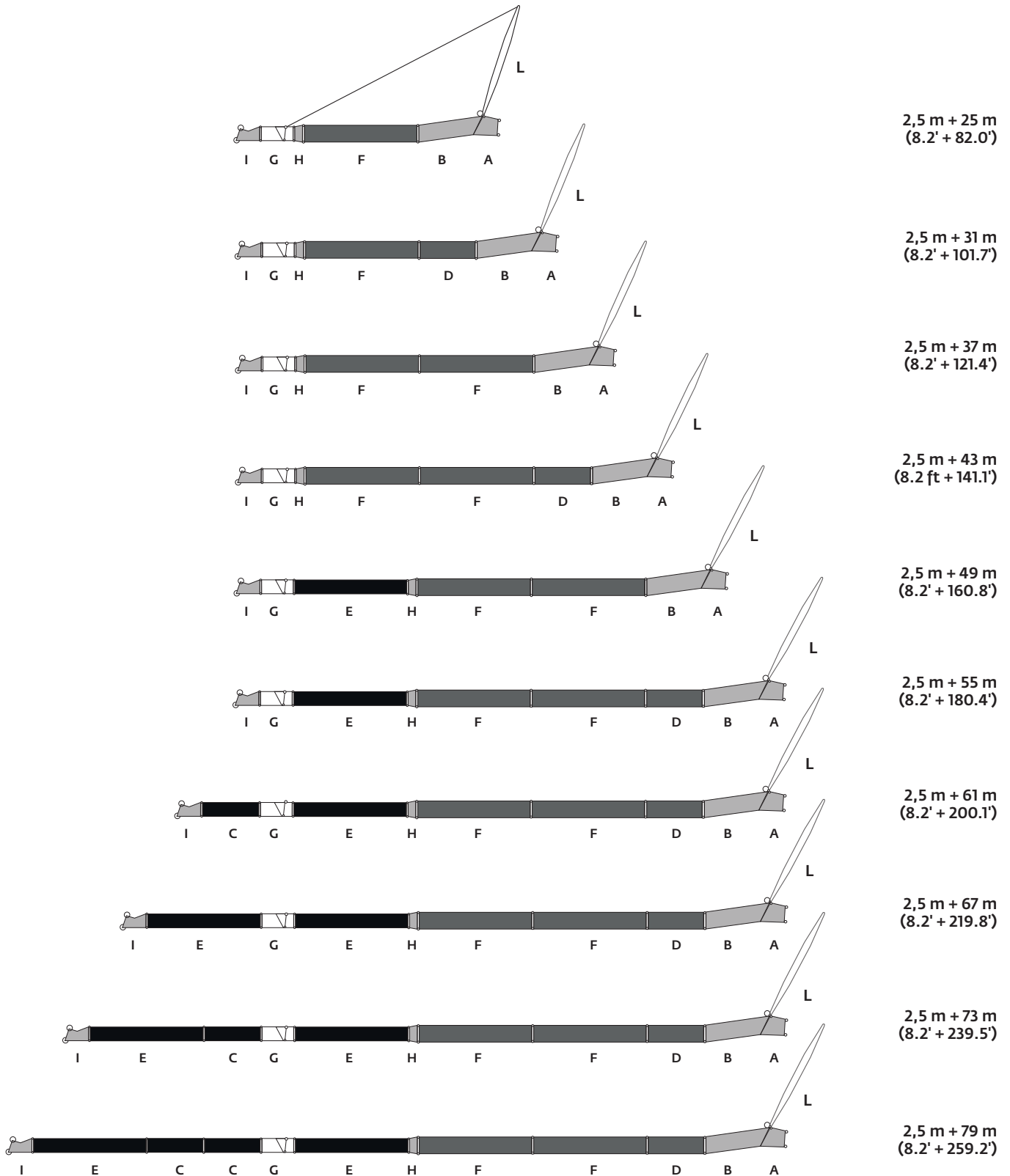
THIS CHART IS ONLY A GUIDE AND SHOULD NOT BE USED TO OPERATE THE CRANE.

The individual crane's load chart, operating instructions and other instructional plates must be read and understood prior to operating the crane.

Dimensions

Luffing jib

Luffing jib dimensions

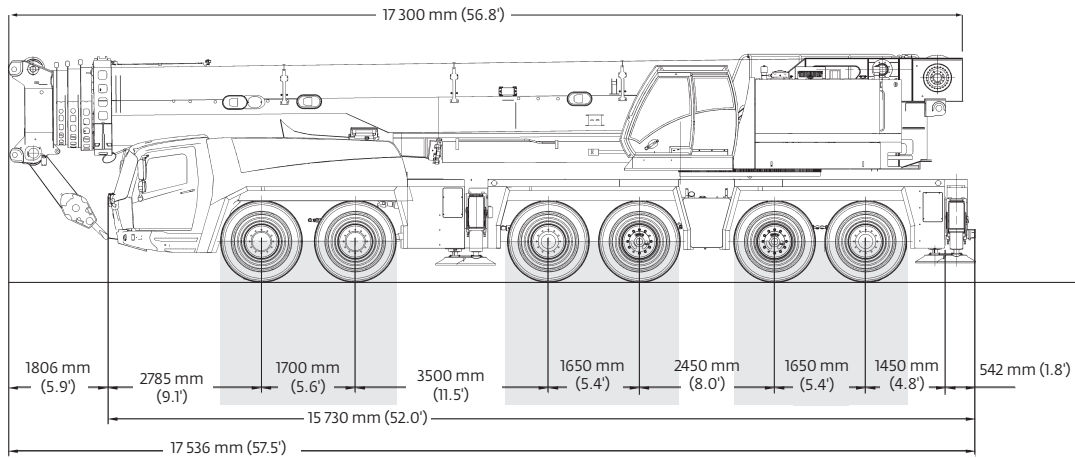


THIS CHART IS ONLY A GUIDE AND SHOULD NOT BE USED TO OPERATE THE CRANE.

Grove GMK6400 The individual crane's load chart, operating instructions and other instructional plates must be read and understood prior to operating the crane.

Transport proposals

Boom over front



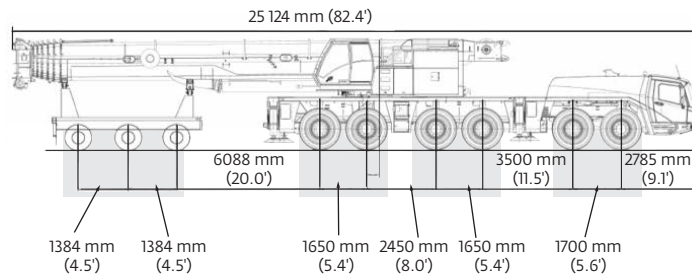
	Axles 1-2	Axles 3-6	Total GVW
Boom over front, rear outrigger box removed	26 488 kg (58,396 lb)	42 434 kg (93,550 lb)	68 922 kg (151,946 lb)
Boom over front, rear outrigger box installed	23 436 kg (51,668 lb)	50 585 kg (111,522 lb)	74 022 kg (163,190 lb)
Boom removed, rear outrigger box installed	7334 kg (16,169 lb)	40 690 kg (89,706 lb)	48 024 kg (105,875 lb)

Unit equipped with:

- 20.5 tires on aluminum rims
- Operator, 75 kg (165 lb)
- Welded on MegaWingLift™
- Removable rear outrigger box

Allow 3% variation in weight due to manufacturing tolerances

Trailing boom with dolly



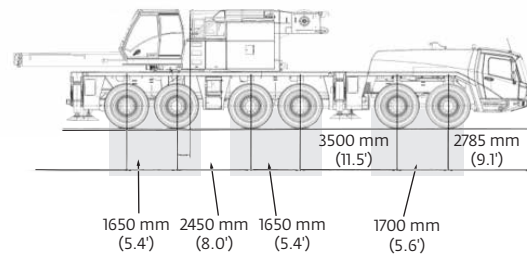
	Axles 1-2	Axles 3-6	Dolly	Total GVW
Boom in dolly over rear, rear outrigger box removed	14 145 kg (31,185 lb)	36 652 kg (80,803 lb)	22 013 kg (48 530 lb)	72 811 kg (160,517 lb)
Boom in dolly over rear, rear outrigger box installed	11 092 kg (24,454 lb)	44 805 kg (98,777 lb)	22 013 kg (48,530 lb)	77 911 kg (171,761 lb)

Unit equipped with:

- 20.5 tires on aluminum rims
- Operator, 75 kg (165 lb)
- Welded on MegaWingLift™ hardware
- 3-axle dolly (5500 kg [11,023 lb])

Allow 3% variation in weight due to manufacturing tolerances

Boom removed, superstructure over rear



	Axles 1-2	Axles 3-6	Total GVW
Boom removed, superstructure over rear	12 336 kg (27,196 lb)	30 397 kg (67,015 lb)	42 733 kg (94,210 lb)

Unit equipped with:

- Rear outrigger box removed
- 20.5 tires on aluminum rims
- Operator, 75 kg (165 lb)

Allow 3% variation in weight due to manufacturing tolerances

Weight information

Removable rear outrigger box	5100 kg (11,244 lb)
Main boom	26 000 kg (57,320 lb)

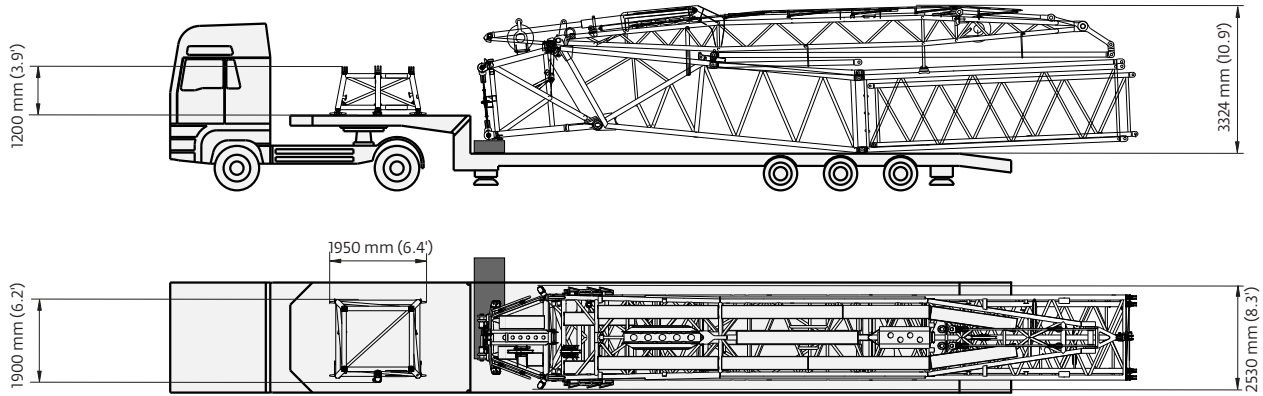
THIS CHART IS ONLY A GUIDE AND SHOULD NOT BE USED TO OPERATE THE CRANE.

The individual crane's load chart, operating instructions and other instructional plates must be read and understood prior to operating the crane.

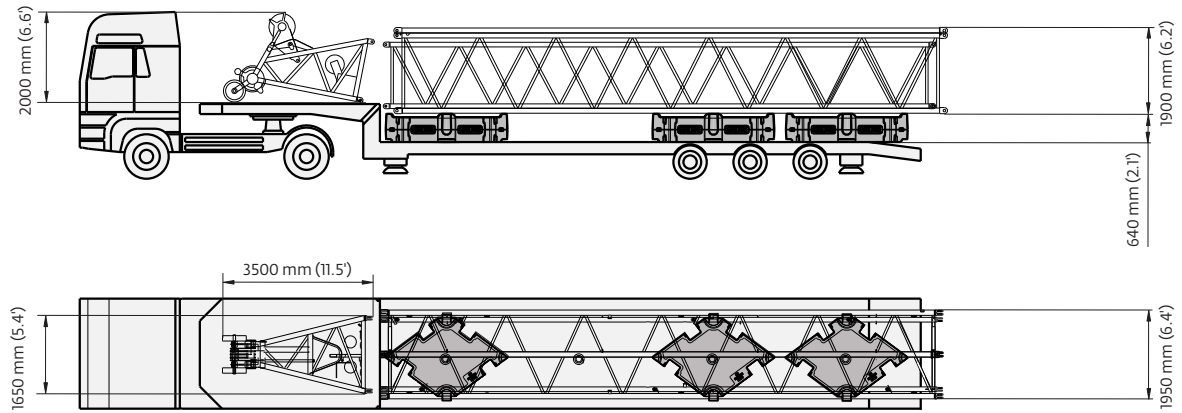
Transport proposals

Transport proposal

A+B+C+D+H+L



F+E+I



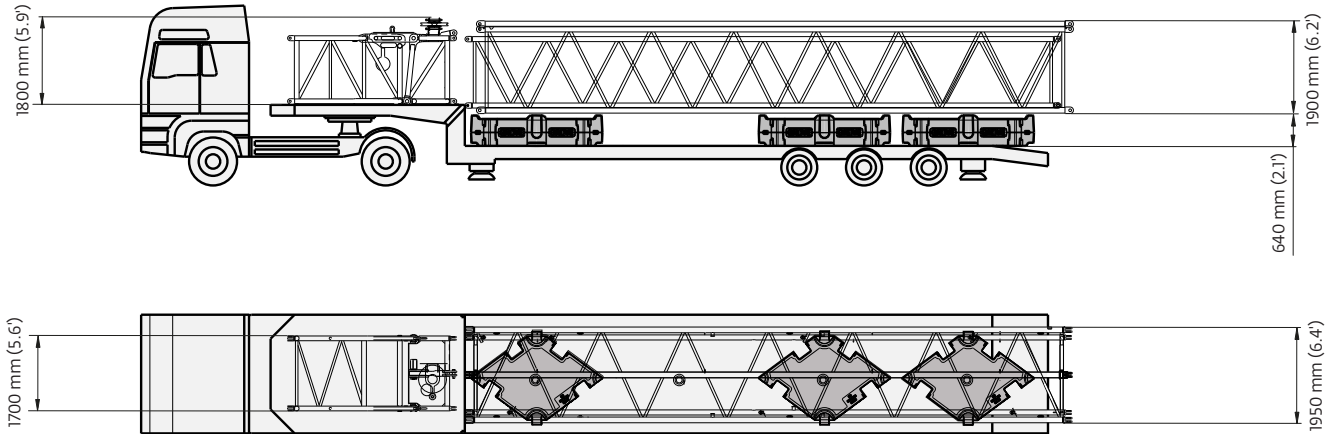
THIS CHART IS ONLY A GUIDE AND SHOULD NOT BE USED TO OPERATE THE CRANE.

The individual crane's load chart, operating instructions and other instructional plates must be read and understood prior to operating the crane.

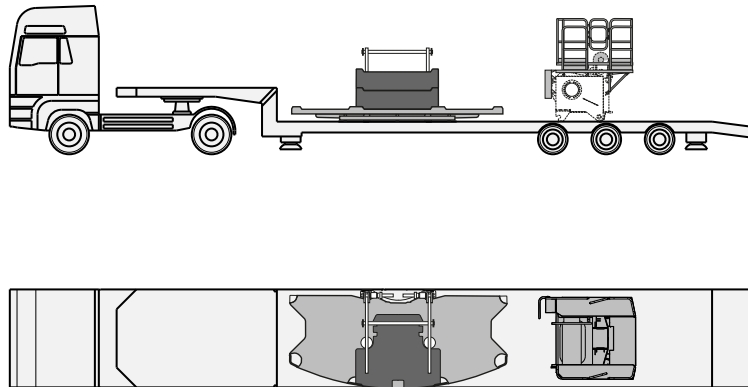
Transport proposals

Transport proposal

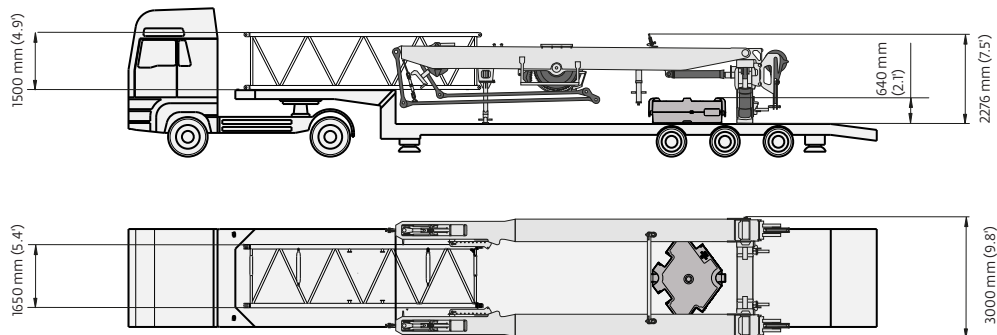
F+E+G



15 t (33,070 lb) baseplate + 2x10 t (22,046 lb) slab + auxiliary hoist



MegaWingLift™ + C



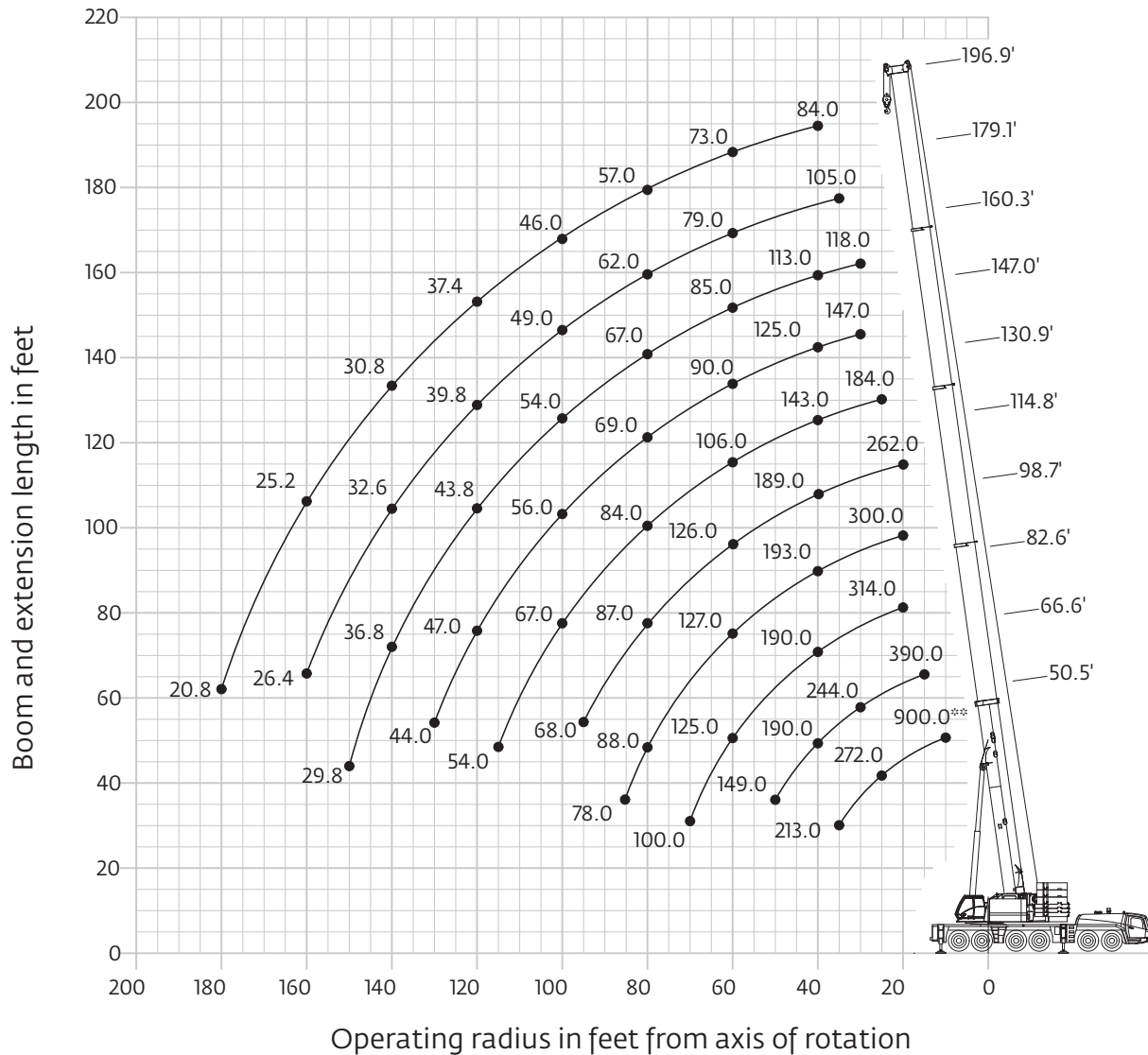
THIS CHART IS ONLY A GUIDE AND SHOULD NOT BE USED TO OPERATE THE CRANE.

The individual crane's load chart, operating instructions and other instructional plates must be read and understood prior to operating the crane.

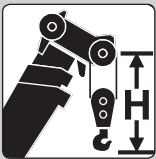
Working range

Main boom

15,4 m - 60 m (51 ft - 197 ft) main boom



Hook heights shown in the working diagram do not consider loaded boom deflection.

	Hook block (USt)	H
	320 D	4050 mm (13.3 ft)
	250 D	3950 mm (13.0 ft)
	200 D	3650 mm (12.0 ft)
	160 D	3650 mm (12.0 ft)
	100 D/E	3300 mm (10.8 ft)
	40 D/E	3200 mm (10.5 ft)
	16 H/B	2600 mm (8.5 ft)

THIS CHART IS ONLY A GUIDE AND SHOULD NOT BE USED TO OPERATE THE CRANE.

Load chart

Main boom



15,4 m - 60 m
(51 ft - 197 ft)



135 000 kg
(297,600 lb)



8,7 m x 8,5 m
(28.5 ft x 27.8 ft)
(100%)



360°



Pounds x 1000

Feet	50.5°	50.5	66.6	82.6	87.3	98.7	114.8	123.9	130.9	139.9	147.0	163.0	179.1	192.4	196.9	Feet
8	900.00**															8
25			280.00													25
30		242.00	244.00	244.00	200.00	234.00		170.00	168.00		147.00					30
35		213.00	215.00	215.00	178.00	213.00	206.00	153.00	154.00		136.00	120.00	105.00			35
40			190.00	190.00	160.00	193.00	189.00	139.00	143.00	103.00	125.00	113.00	102.00	88.00	84.00	40
45			170.00	170.00	146.00	173.00	172.00	125.00	132.00	95.00	115.00	105.00	97.00	88.00	84.00	45
50			149.00	153.00	133.00	156.00	154.00	114.00	122.00	87.00	106.00	98.00	91.00	84.00	82.00	50
55				138.00	123.00	140.00	139.00	104.00	114.00	81.00	97.00	91.00	85.00	80.00	78.00	55
60				125.00	114.00	127.00	126.00	95.00	106.00	75.00	90.00	85.00	79.00	75.00	73.00	60
65				113.00	106.00	116.00	114.00	87.00	99.00	70.00	84.00	79.00	74.00	70.00	69.00	65
70				100.00	97.00	105.00	104.00	81.00	94.00	65.00	78.00	75.00	70.00	66.00	65.00	70
75						97.00	95.00	76.00	89.00	61.00	73.00	70.00	65.00	62.00	61.00	75
80						88.00	87.00	70.00	84.00	58.00	69.00	67.00	62.00	59.00	57.00	80
85						78.00	81.00	65.00	80.00	54.00	65.00	63.00	58.00	55.00	54.00	85
90							75.00	60.00	76.00	52.00	62.00	60.00	55.00	52.00	51.00	90
95							68.00	56.00	71.00	49.00	59.00	57.00	52.00	50.00	48.00	95
100								53.00	67.00	47.00	56.00	54.00	50.00	47.00	46.00	100
105								50.00	62.00	45.00	54.00	51.00	47.00	44.00	43.40	105
110								48.00	57.00	42.40	51.00	48.00	45.00	42.20	41.20	110
115									54.00	40.60	49.00	46.00	43.20	40.20	39.20	115
120										39.00	47.00	43.80	41.40	38.40	37.40	120
125											46.00	41.80	39.60	36.60	35.80	125
130											44.00	39.80	37.80	34.80	34.00	130
135												38.20	36.20	33.20	32.40	135
140												36.80	34.20	31.60	30.80	140
145												35.20	33.20	30.20	29.40	145
150												29.80	32.00	28.80	28.00	150
155													30.80	27.40	26.60	155
160													29.40	25.80	25.20	160
165														24.60	24.00	165
170														23.40	22.80	170
175														22.40	21.80	175
180															20.80	180

*Over rear

**Over rear with special equipment

For complete charts, refer to the GMK6400 product page on the Manitowoc cranes website (www.manitowoccranes.com).

Load chart

Main boom


15,4 m - 60 m
 (51 ft - 197 ft)


115 000 kg
 (253,500 lb)


8,7 m x 8,5 m
 (28.5 ft x 27.8 ft)
 (100%)


360°



Pounds x 1000

Feet	50.5	66.6	82.6	87.3	98.7	114.8	123.9	130.9	139.9	147.0	163.0	179.1	192.4	196.9	Feet
15		384.00													15
20	328.00	326.00	314.00	256.00	300.00	262.00									20
25	276.00	278.00	278.00	226.00	264.00	254.00									25
30	238.00	240.00	240.00	200.00	238.00	226.00	170.00	168.00	124.00	147.00	126.00				30
35	208.00	210.00	210.00	178.00	213.00	206.00	153.00	154.00	113.00	136.00	120.00	105.00			35
40		184.00	185.00	160.00	187.00	186.00	139.00	143.00	103.00	125.00	113.00	102.00	88.00	84.00	40
45		162.00	162.00	146.00	165.00	164.00	125.00	132.00	95.00	115.00	105.00	97.00	88.00	84.00	45
50		145.00	143.00	133.00	146.00	144.00	114.00	122.00	87.00	106.00	98.00	91.00	84.00	82.00	50
55			130.00	123.00	130.00	128.00	104.00	114.00	81.00	97.00	91.00	85.00	80.00	78.00	55
60			117.00	112.00	116.00	115.00	95.00	106.00	75.00	90.00	85.00	79.00	75.00	73.00	60
65				106.00	100.00	105.00	104.00	87.00	99.00	70.00	84.00	79.00	74.00	70.00	65
70				96.00	91.00	96.00	94.00	81.00	94.00	65.00	78.00	75.00	70.00	66.00	70
75					88.00	86.00	76.00	88.00	61.00	73.00	70.00	65.00	62.00	61.00	75
80					81.00	79.00	70.00	81.00	58.00	69.00	67.00	62.00	59.00	57.00	80
85					74.00	73.00	65.00	75.00	54.00	65.00	63.00	58.00	55.00	54.00	85
90						68.00	60.00	69.00	52.00	62.00	60.00	55.00	52.00	51.00	90
95						65.00	56.00	64.00	49.00	59.00	57.00	52.00	50.00	48.00	95
100							53.00	60.00	47.00	56.00	54.00	50.00	47.00	46.00	100
105								50.00	56.00	45.00	54.00	51.00	47.00	44.00	105
110								48.00	52.00	42.40	51.00	48.00	45.00	42.20	110
115									49.00	40.60	49.00	46.00	43.20	40.20	115
120										39.00	47.00	43.80	41.40	38.40	120
125											44.00	41.80	39.60	36.60	125
130												41.60	39.80	37.80	130
135													38.20	36.20	135
140														36.80	140
145														34.80	145
150														32.00	150
155														29.80	155
160														30.80	160
165														27.40	165
170														25.80	170
175														24.60	175
180														24.00	180

THIS CHART IS ONLY A GUIDE AND SHOULD NOT BE USED TO OPERATE THE CRANE.

Grove GMK6400 The individual crane's load chart, operating instructions and other instructional plates must be read and understood prior to operating the crane.

Load chart

Main boom



15,4 m - 60 m
(51 ft - 197 ft)



95 000 kg
(209,400 lb)



8,7 m x 8,5 m
(28.5 ft x 27.8 ft)
(100%)



360°



Pounds x 1000

Feet	50.5	66.6	82.6	87.3	98.7	114.8	123.9	130.9	139.9	147.0	163.0	179.1	192.4	196.9	Feet
10	494.00														10
15	392.00	390.00													15
20	320.00	322.00	314.00	256.00	300.00	262.00									20
25	272.00	274.00	274.00	226.00	264.00	254.00		184.00							25
30	232.00	234.00	236.00	200.00	238.00	226.00	170.00	168.00	124.00	147.00	126.00				30
35	199.00	201.00	201.00	178.00	204.00	202.00	153.00	154.00	113.00	136.00	120.00	105.00			35
40		172.00	171.00	160.00	174.00	173.00	139.00	143.00	103.00	125.00	113.00	102.00	88.00	84.00	40
45		150.00	151.00	146.00	151.00	149.00	125.00	132.00	95.00	115.00	105.00	97.00	88.00	84.00	45
50		131.00	133.00	127.00	132.00	131.00	114.00	122.00	87.00	106.00	98.00	91.00	84.00	82.00	50
55			118.00	113.00	117.00	116.00	104.00	114.00	81.00	97.00	91.00	85.00	80.00	78.00	55
60			106.00	100.00	105.00	104.00	95.00	106.00	75.00	90.00	85.00	79.00	75.00	73.00	60
65			95.00	90.00	95.00	93.00	87.00	95.00	70.00	84.00	79.00	74.00	70.00	69.00	65
70			87.00	81.00	86.00	85.00	80.00	87.00	65.00	78.00	75.00	70.00	66.00	65.00	70
75					79.00	79.00	72.00	79.00	61.00	73.00	70.00	65.00	62.00	61.00	75
80					72.00	74.00	67.00	73.00	58.00	69.00	67.00	62.00	59.00	57.00	80
85					67.00	69.00	63.00	67.00	54.00	65.00	63.00	58.00	55.00	54.00	85
90							60.00	62.00	52.00	62.00	60.00	55.00	52.00	51.00	90
95							55.00	57.00	49.00	58.00	57.00	52.00	50.00	48.00	95
100							50.00	52.00	47.00	53.00	53.00	50.00	47.00	46.00	100
105							46.00	48.00	45.00	49.00	49.00	47.00	44.00	43.40	105
110							42.40	46.00	42.40	45.00	45.00	45.00	42.20	41.20	110
115								44.00	40.60	42.00	41.60	42.40	40.20	39.20	115
120									39.00	40.00	38.60	39.20	37.80	37.20	120
125										37.20	35.80	36.40	35.00	34.40	125
130										34.80	33.20	33.80	32.40	32.00	130
135											31.00	31.60	30.00	29.60	135
140											28.80	29.40	27.80	27.40	140
145											26.80	27.40	25.80	25.40	145
150											25.00	25.60	24.00	23.40	150
155												23.80	22.20	21.80	155
160												22.20	20.60	20.20	160
165													19.00	18.60	165
170													17.60	17.20	170
175													16.40	16.00	175
180														14.80	180

THIS CHART IS ONLY A GUIDE AND SHOULD NOT BE USED TO OPERATE THE CRANE.

The individual crane's load chart, operating instructions and other instructional plates must be read and understood prior to operating the crane.

Load chart


Main boom


15,4 m - 60 m
 (51 ft - 197 ft)


75 000 kg
 (165,300 lb)


8,7 m x 8,5 m
 (28.5 ft x 27.8 ft)
 (100%)


360°

		 Pounds x 1000													
Feet	50.5	66.6	82.6	87.3	98.7	114.8	123.9	130.9	139.9	147.0	163.0	179.1	192.4	196.9	Feet
10	484.00														10
15	384.00	386.00													15
20	314.00	316.00	314.00	256.00	300.00	262.00									20
25	264.00	266.00	268.00	226.00	264.00	254.00		184.00							25
30	218.00	220.00	220.00	200.00	224.00	220.00	170.00	168.00	124.00	147.00	126.00				30
35	179.00	184.00	186.00	178.00	185.00	182.00	153.00	154.00	113.00	136.00	120.00	105.00			35
40		156.00	157.00	152.00	157.00	154.00	139.00	143.00	103.00	125.00	113.00	102.00	88.00	84.00	40
45		134.00	136.00	131.00	135.00	133.00	123.00	131.00	95.00	115.00	105.00	97.00	88.00	84.00	45
50		118.00	119.00	114.00	119.00	116.00	106.00	115.00	87.00	106.00	98.00	91.00	84.00	82.00	50
55			105.00	99.00	105.00	103.00	96.00	102.00	81.00	94.00	91.00	85.00	80.00	78.00	55
60			93.00	88.00	92.00	96.00	88.00	91.00	75.00	88.00	85.00	79.00	75.00	73.00	60
65			82.00	80.00	81.00	85.00	80.00	82.00	70.00	81.00	78.00	74.00	70.00	69.00	65
70			74.00	75.00	74.00	76.00	71.00	73.00	65.00	73.00	71.00	69.00	66.00	65.00	70
75					69.00	68.00	63.00	66.00	61.00	66.00	65.00	64.00	61.00	60.00	75
80					62.00	61.00	57.00	62.00	58.00	61.00	59.00	59.00	56.00	55.00	80
85					56.00	55.00	51.00	56.00	54.00	55.00	54.00	54.00	51.00	51.00	85
90						50.00	46.00	51.00	52.00	50.00	50.00	49.00	47.00	46.00	90
95						47.00	43.60	47.00	47.00	46.00	46.00	45.00	43.40	42.80	95
100							41.60	42.80	43.60	41.80	42.00	41.00	39.60	39.00	100
105							39.40	39.40	40.00	38.20	38.60	37.60	36.00	35.60	105
110							37.20	36.20	37.00	35.20	35.40	34.40	32.80	32.40	110
115								33.40	34.00	32.20	32.60	31.60	30.00	29.60	115
120									31.40	29.80	30.00	29.00	27.40	27.00	120
125										27.40	27.60	26.60	25.00	24.60	125
130										25.20	25.40	23.20	22.80	22.40	130
135											23.60	22.40	20.80	20.40	135
140											21.80	20.60	19.00	18.60	140
145												19.00	17.40	17.00	145
150												17.40	15.80	15.40	150
155												16.00	14.40	14.00	155
160												14.60	13.00	12.60	160
165													11.80	11.40	165
170													10.60	10.20	170
175													9.60	9.00	175
180														8.00	180

THIS CHART IS ONLY A GUIDE AND SHOULD NOT BE USED TO OPERATE THE CRANE.

Grove GMK6400 The individual crane's load chart, operating instructions and other instructional plates must be read and understood prior to operating the crane.

Load chart

Main boom



15,4 m - 60 m
(51 ft - 197 ft)



55 000 kg
(121,200 lb)



8,7 m x 8,5 m
(28.5 ft x 27.8 ft)
(100%)



360°



Pounds x 1000


Feet	50.5	66.6	82.6	87.3	98.7	114.8	123.9	130.9	139.9	147.0	163.0	179.1	192,4	196.9	Feet
10	476.00														10
15	376.00	378.00													15
20	308.00	308.00	310.00	256.00	300.00	262.00									20
25	246.00	248.00	248.00	226.00	244.00	226.00		177.00	184.00						25
30	194.00	199.00	201.00	191.00	191.00	179.00	166.00	161.00	168.00	147.00	126.00				30
35	159.00	164.00	165.00	154.00	157.00	147.00	137.00	144.00	144.00	133.00	120.00	105.00			35
40		134.00	137.00	128.00	131.00	130.00	122.00	122.00	122.00	118.00	113.00	102.00	88.00	84.00	40
45		111.00	113.00	111.00	112.00	112.00	104.00	105.00	105.00	102.00	99.00	95.00	88.00	84.00	45
50		93.00	95.00	98.00	99.00	97.00	91.00	95.00	94.00	91.00	87.00	85.00	81.00	80.00	50
55			81.00	84.00	86.00	84.00	80.00	84.00	84.00	80.00	79.00	75.00	72.00	71.00	55
60			72.00	73.00	74.00	73.00	69.00	74.00	74.00	72.00	70.00	67.00	64.00	63.00	60
65			63.00	64.00	65.00	64.00	63.00	65.00	65.00	64.00	63.00	60.00	57.00	56.00	65
70			56.00	57.00	58.00	57.00	59.00	57.00	58.00	57.00	57.00	54.00	52.00	51.00	70
75					51.00	52.00	53.00	51.00	51.00	50.00	51.00	49.00	47.00	46.00	75
80					46.00	46.00	47.00	45.00	46.00	45.00	45.00	44.00	42.20	41.40	80
85					41.40	41.60	43.40	40.80	41.20	40.20	40.60	39.40	38.00	37.40	85
90						37.60	38.40	36.80	37.20	36.20	36.40	35.40	33.80	33.40	90
95						34.00	34.80	33.20	33.60	32.60	32.80	31.80	30.20	29.80	95
100							31.60	30.00	30.40	29.40	29.60	28.60	27.00	26.60	100
105							28.60	27.20	27.60	26.40	26.80	25.80	24.20	23.80	105
110							26.00	24.60	25.00	24.00	24.20	23.20	21.60	21.20	110
115								22.40	22.80	21.60	21.80	20.80	19.40	18.80	115
120										19.60	19.80	18.80	17.20	16.80	120
125										17.60	17.80	16.80	15.20	14.80	125
130										16.00	16.20	15.00	13.60	13.20	130
135											14.60	13.40	12.00	11.60	135
140											13.20	12.00	10.40	10.00	140
145											10.20	10.60	9.00	8.60	145
150												9.00	8.40	7.40	150
155													8.20	6.60	155
160													7.20	5.20	160
165														4.60	165
170														3.60	170

Load chart

Main boom



15,4 m - 60 m
(51 ft - 197 ft)


45 000 kg
(99,200 lb)


8,7 m x 8,5 m
(28.5 ft x 27.8 ft)
(100%)


360°




 Pounds x 1000

Feet	50.5	66.6	82.6	87.3	98.7	114.8	123.9	130.9	139.9	147.0	163.0	179.1	192.4	196.9	Feet
10	470.00														10
15	372.00	374.00													15
20	300.00	302.00	302.00	256.00	292.00	262.00									20
25	232.00	234.00	234.00	219.00	218.00	201.00		184.00							25
30	183.00	188.00	181.00	169.00	170.00	159.00	152.00	154.00	124.00	142.00	126.00				30
35	138.00	146.00	147.00	137.00	139.00	136.00	128.00	128.00	113.00	123.00	118.00	105.00			35
40		116.00	119.00	117.00	118.00	115.00	107.00	111.00	103.00	106.00	102.00	98.00	88.00	84.00	40
45		95.00	99.00	100.00	102.00	98.00	92.00	96.00	95.00	91.00	89.00	85.00	81.00	79.00	45
50		79.00	83.00	84.00	86.00	85.00	83.00	84.00	83.00	80.00	78.00	74.00	71.00	69.00	50
55			71.00	72.00	73.00	74.00	75.00	73.00	73.00	70.00	69.00	66.00	62.00	61.00	55
60			61.00	62.00	64.00	64.00	65.00	63.00	64.00	62.00	61.00	58.00	55.00	54.00	60
65			53.00	54.00	55.00	56.00	57.00	55.00	56.00	54.00	55.00	52.00	49.00	48.00	65
70			47.00	47.00	49.00	49.00	50.00	49.00	50.00	48.00	48.00	47.00	44.00	43.20	70
75					43.20	43.40	44.00	43.00	43.80	42.00	42.40	41.20	39.40	38.60	75
80					38.40	38.60	39.40	38.20	39.00	37.20	37.60	36.40	35.00	34.40	80
85					34.20	34.40	35.20	34.00	34.80	33.00	33.40	32.20	30.80	30.20	85
90						30.80	31.60	30.40	31.20	29.40	29.60	28.60	27.20	26.60	90
95						27.60	28.40	27.20	28.00	26.20	26.40	25.40	23.80	23.40	95
100							25.40	24.40	25.00	23.40	23.60	22.60	21.00	20.60	100
105							23.00	21.80	22.60	20.80	21.00	20.00	18.40	18.00	105
110							20.60	19.60	20.20	18.60	18.80	17.80	16.20	15.80	110
115								17.60	18.20	16.40	16.80	15.60	14.20	13.80	115
120									16.40	14.60	14.80	13.80	12.40	11.80	120
125										13.00	13.20	12.20	10.60	10.20	125
130										11.40	11.60	10.60	9.00	8.60	130
135											10.20	9.20	7.60	7.20	135
140											9.00	7.80	6.20	5.80	140
145											6.20	6.60	5.00	4.60	145
150											5.00	5.60	4.00	4.60	150
155												4.60			155
160												3.60			160



15,4 m - 60 m
(51 ft - 197 ft)


35 000 kg
(77,100 lb)


8,7 m x 8,5 m
(28.5 ft x 27.8 ft)
(100%)


360°




 Pounds x 1000


Feet	50.5	66.6	82.6	87.3	98.7	114.8	123.9	130.9	139.9	147.0	163.0	179.1	192.4	196.9	Feet
10	466.00														10
15	368.00	370.00													15
20	288.00	292.00	276.00	256.00	256.00	232.00	157.00								20
25	217.00	216.00	204.00	190.00	189.00	175.00	138.00	168.00							25
30	153.00	161.00	157.00	152.00	148.00	137.00	134.00	135.00	124.00	130.00	122.00				30
35	115.00	122.00	126.00	123.00	125.00	118.00	110.00	114.00	112.00	108.00	102.00	99.00			35
40		96.00	101.00	102.00	104.00	100.00	99.00	96.00	95.00	91.00	86.00	84.00	79.00	78.00	40
45		78.00	82.00	84.00	85.00	86.00	86.00	82.00	81.00	78.00	74.00	72.00	68.00	67.00	45
50		65.00	69.00	70.00	71.00	72.00	73.00	71.00	71.00	68.00	64.00	63.00	59.00	58.00	50
55			58.00	59.00	60.00	61.00	62.00	60.00	61.00	59.00	56.00	55.00	52.00	51.00	55
60			49.00	50.00	52.00	52.00	53.00	52.00	53.00	51.00	49.00	48.00	45.00	44.00	60
65			42.40	43.40	45.00	45.00	46.00	45.00	46.00	43.80	42.20	42.60	39.60	38.80	65
70			36.80	37.80	39.00	39.40	40.20	39.00	39.80	38.00	36.40	37.20	35.00	34.20	70
75					34.20	34.40	35.40	34.00	34.80	33.00	31.40	32.20	30.80	30.20	75
80					30.00	30.20	31.20	29.80	30.60	28.80	27.40	28.20	26.60	26.20	80
85					26.40	26.60	27.40	26.20	27.00	25.20	23.80	24.40	23.00	22.40	85
90						23.40	24.20	23.00	23.80	22.00	20.60	21.40	19.80	19.40	90
95						20.60	21.40	20.40	21.00	19.20	17.80	18.60	17.00	16.60	95
100							19.00	17.80	18.60	16.80	15.40	16.00	14.60	14.20	100
105							16.80	15.60	16.40	14.60	13.20	13.80	12.40	12.00	105
110							14.80	13.80	14.40	12.60	11.20	12.00	10.40	10.00	110
115								12.00	12.60	11.00	9.40	10.20	8.60	8.20	115
120									11.20	9.40	7.80	8.60	7.00	6.60	120
125										7.80	6.40	7.00	5.60	5.20	125
130											5.20	5.80	4.20	3.80	130
135												4.00	4.60		135


THIS CHART IS ONLY A GUIDE AND SHOULD NOT BE USED TO OPERATE THE CRANE.


Load chart



Main boom


15,4 m - 60 m
 (51 ft - 197 ft)



25 000 kg
 (55,100 lb)



8,7 m x 8,5 m
 (28.5 ft x 27.8 ft)
 (100%)



360°




Pounds x 1000



Feet	50.5	66.6	82.6	87.3	98.7	114.8	123.9	130.9	139.9	147.0	163.0	179.1	192.4	196.9	Feet
10	462.00														10
15	364.00	366.00													15
20	270.00	258.00													20
25	182.00	186.00	242.00	224.00	220.00	201.00	157.00								25
30	125.00	133.00	136.00	136.00	131.00	125.00	124.00	118.00	116.00	111.00	107.00				30
35	92.00	100.00	105.00	106.00	107.00	102.00	102.00	97.00	96.00	92.00	89.00	84.00			35
40		78.00	82.00	84.00	85.00	85.00	85.00	81.00	80.00	77.00	74.00	70.00	65.00	64.00	40
45		62.00	66.00	68.00	69.00	70.00	71.00	68.00	68.00	65.00	63.00	59.00	55.00	54.00	45
50		51.00	55.00	56.00	57.00	58.00	59.00	57.00	58.00	55.00	54.00	51.00	47.00	46.00	50
55			46.00	47.00	48.00	48.00	49.00	48.00	49.00	47.00	47.00	43.80	40.60	39.60	55
60			38.40	39.40	40.80	41.00	42.20	40.60	41.60	39.60	40.00	38.00	35.00	34.20	60
65			27.60	33.40	34.80	34.80	35.00	36.00	34.60	35.60	33.60	34.00	33.00	30.40	65
70				28.60	29.80	30.20	31.00	29.80	30.60	28.80	29.00	28.00	26.40	25.60	70
75					25.60	26.00	26.80	25.60	26.40	24.60	24.80	23.80	22.20	21.80	75
80					22.20	22.40	23.20	22.00	22.80	21.00	21.40	20.20	18.60	18.20	80
85					19.00	19.20	20.20	18.80	19.60	17.80	18.20	17.20	15.60	15.20	85
90						16.60	17.40	16.20	17.00	15.20	15.60	14.40	13.00	12.40	90
95						14.20	15.00	13.80	14.60	12.80	13.20	12.00	10.60	10.20	95
100							13.00	11.80	12.60	10.80	11.00	10.00	8.40	8.00	100
105								11.00	10.00	10.60	8.80	9.20	8.00	6.60	105
110								9.40	8.20	9.00	7.20	7.40	6.40	5.00	110
115									6.80	7.40	5.60	6.00	5.00		115
120										6.20	4.40	4.60	3.60		120


15,4 m - 60 m
 (51 ft - 197 ft)


15 000 kg
 (33,000 lb)


8,7 m x 8,5 m
 (28.5 ft x 27.8 ft)
 (100%)


360°



Pounds x 1000


Feet	50.5	66.6	82.6	87.3	98.7	114.8	123.9	130.9	139.9	147.0	163.0	179.1	192.4	196.9	Feet
10	456.00														10
15	358.00	360.00													15
20	234.00	220.00	203.00	195.00	185.00	167.00	157.00								20
25	142.00	152.00	148.00	147.00	141.00	133.00	131.00	129.00							25
30	95.00	104.00	109.00	111.00	109.00	104.00	103.00	102.00	95.00	91.00	87.00				30
35	69.00	77.00	81.00	83.00	84.00	83.00	82.00	81.00	77.00	73.00	70.00	66.00			35
40		58.00	63.00	64.00	66.00	66.00	67.00	67.00	63.00	60.00	58.00	54.00	50.00	49.00	40
45		46.00	50.00	51.00	53.00	53.00	54.00	54.00	53.00	50.00	48.00	45.00	41.40	40.40	45
50		36.20	40.20	41.40	42.80	43.20	44.00	44.00	43.80	41.80	40.80	37.80	34.40	33.40	50
55			32.80	33.80	35.20	35.60	36.60	36.60	36.20	34.20	34.40	31.60	28.60	27.80	55
60			26.80	27.80	29.20	29.60	30.60	30.60	30.00	28.20	28.60	26.60	23.80	23.00	60
65			22.00	23.00	24.40	24.60	25.60	25.60	25.20	23.20	23.60	22.40	19.80	19.00	65
70			18.00	19.00	20.20	20.60	21.60	21.60	21.00	19.20	19.60	18.40	16.20	15.60	70
75					16.80	17.00	18.00	18.00	17.60	15.80	16.00	15.00	13.40	12.60	75
80					14.00	14.20	15.00	15.00	14.60	12.80	13.20	12.00	10.60	10.00	80
85					11.40	12.40	12.40	12.40	12.00	10.20	10.60	9.60	8.00	7.60	85
90						9.40	10.20	10.20	9.80	8.00	8.40	7.40	5.80	5.40	90
95						7.40	8.20	8.20	7.80	6.00	6.40	5.40	3.80		95
100							6.60	6.60	6.20	4.40	4.60	3.60			100
105							5.00	5.00	4.60						105
110								3.60	3.60						110

Load chart

Main boom


15,4 m - 60 m
(51 ft - 197 ft)


0 kg
(0 lb)


8,7 m x 8,5 m
(28.5 ft x 27.8 ft)
(100%)


360°



Pounds x 1000

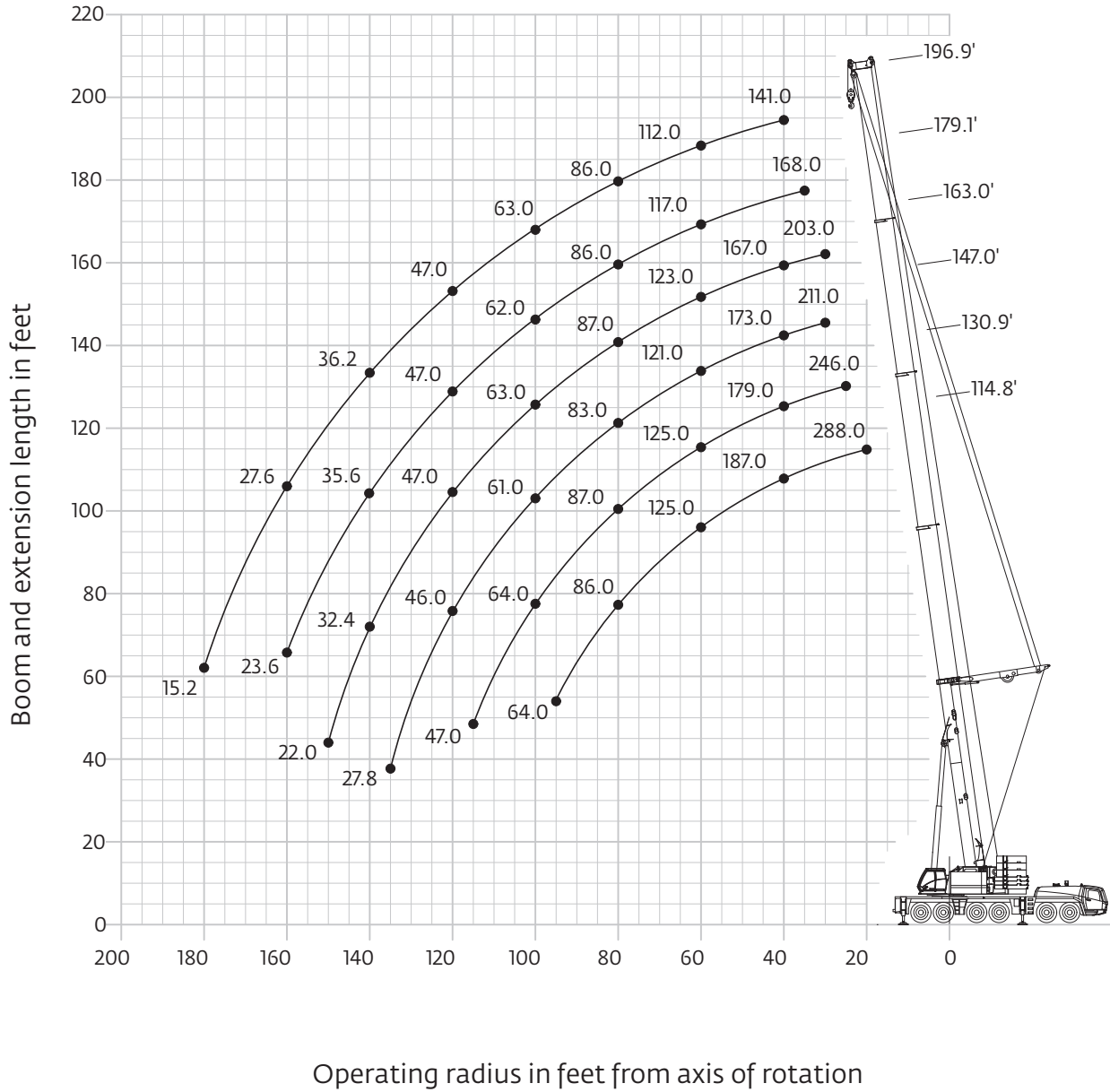
Feet	50.5	66.6	82.6	87.3	98.7	114.8	123.9	130.9	139.9	147.0	163.0	Feet
10	448.00											10
15	304.00	266.00										15
20	140.00	153.00	145.00	143.00	135.00	124.00	122.00					20
25	80.00	90.00	96.00	97.00	93.00	87.00	86.00	80.00				25
30	50.00	59.00	64.00	65.00	67.00	63.00	63.00	58.00	57.00	53.00	51.00	30
35	33.00	40.80	45.00	47.00	50.00	47.00	47.00	43.40	43.00	39.40	38.80	35
40		28.60	33.20	34.40	37.00	35.80	36.20	33.20	33.00	29.80	29.60	40
45		20.20	24.40	25.60	28.20	27.60	28.20	25.60	25.80	22.80	22.80	45
50		14.00	18.00	19.20	21.40	21.00	22.00	19.80	20.20	17.40	17.60	50
55			13.00	14.20	16.40	15.80	17.00	15.40	15.60	13.20	13.40	55
60			9.00	10.20	12.40	11.80	12.80	11.40	12.00	9.60	10.00	60
65			5.80	6.80	9.00	8.60	9.60	8.20	9.00	6.80	7.00	65
70				4.20	6.40	5.80	6.80	5.40	6.20	4.40	4.60	70
75					4.00	3.40	4.40		4.00			75

THIS CHART IS ONLY A GUIDE AND SHOULD NOT BE USED TO OPERATE THE CRANE.

Working range

Main boom and MegaWingLift™

34,9 m - 60 m (51 ft - 197 ft) main boom and MegaWingLift™



Hook heights shown in the working diagram do not consider loaded boom deflection.

Load chart


Main boom and MegaWingLift™



15,4 m - 60 m
(51 ft - 197 ft)



135 000 kg
(297,600 lb)




8,7 m x 8,5 m
(28.5 ft x 27.8 ft)
(100%)



360°



 Pounds x 1000

Feet	114.8	130.9	147.0	163.0	179.1	196.9	Feet
25		240.00					25
30	226.00	212.00	206.00	203.00			30
35	204.00	196.00	190.00	184.00	168.00		35
40	187.00	179.00	172.00	167.00	161.00	141.00	40
45	168.00	165.00	158.00	153.00	147.00	132.00	45
50	151.00	152.00	147.00	141.00	135.00	125.00	50
55	137.00	138.00	137.00	131.00	126.00	118.00	55
60	125.00	125.00	125.00	123.00	117.00	112.00	60
65	113.00	114.00	114.00	113.00	110.00	106.00	65
70	103.00	104.00	104.00	104.00	103.00	100.00	70
75	94.00	95.00	95.00	95.00	94.00	94.00	75
80	86.00	87.00	87.00	87.00	86.00	86.00	80
85	79.00	80.00	80.00	80.00	79.00	79.00	85
90	73.00	74.00	74.00	73.00	73.00	73.00	90
95	64.00	68.00	68.00	68.00	67.00	68.00	95
100		64.00	63.00	63.00	62.00	63.00	100
105		59.00	59.00	58.00	58.00	58.00	105
110		51.00	55.00	54.00	54.00	54.00	110
115		47.00	51.00	51.00	50.00	50.00	115
120			47.00	47.00	47.00	47.00	120
125			41.40	44.00	43.40	44.00	125
130			38.00	41.60	40.60	41.20	130
135				37.60	38.00	38.60	135
140				32.40	35.60	36.20	140
145				30.60	33.20	33.80	145
150				22.00	29.20	31.80	150
155					25.80	29.80	155
160					23.60	27.60	160
165						24.40	165
170						20.80	170
175						20.40	175
180						15.20	180

THIS CHART IS ONLY A GUIDE AND SHOULD NOT BE USED TO OPERATE THE CRANE.

Load chart

Main boom and MegaWingLift™



15,4 m - 60 m
(51 ft - 197 ft)



115 000 kg
(253,500 lb)



8,7 m x 8,5 m
(28.5 ft x 27.8 ft)
(100%)



360°



Pounds x 1000

Feet	114.8	130.9	147.0	163.0	179.1	196.9	Feet
20	288.00						20
25	254.00	246.00					25
30	226.00	218.00	211.00	203.00			30
35	204.00	196.00	190.00	184.00	168.00		35
40	185.00	179.00	172.00	167.00	161.00	141.00	40
45	164.00	165.00	158.00	153.00	147.00	132.00	45
50	145.00	146.00	146.00	141.00	135.00	125.00	50
55	129.00	130.00	130.00	130.00	126.00	118.00	55
60	116.00	116.00	116.00	116.00	115.00	112.00	60
65	104.00	105.00	105.00	104.00	103.00	104.00	65
70	94.00	95.00	95.00	94.00	93.00	94.00	70
75	85.00	86.00	86.00	86.00	85.00	85.00	75
80	78.00	79.00	79.00	78.00	77.00	78.00	80
85	72.00	72.00	72.00	72.00	71.00	72.00	85
90	66.00	67.00	66.00	66.00	65.00	66.00	90
95	61.00	61.00	61.00	61.00	60.00	61.00	95
100		57.00	57.00	56.00	55.00	56.00	100
105		53.00	53.00	52.00	51.00	52.00	105
110		49.00	49.00	48.00	48.00	48.00	110
115		46.00	45.00	45.00	44.00	45.00	115
120			42.40	42.00	41.00	41.60	120
125			39.60	39.00	38.20	38.80	125
130			37.00	36.40	35.60	36.20	130
135				34.00	33.20	33.60	135
140				31.80	30.80	31.40	140
145				29.80	28.60	29.40	145
150				22.00	26.40	27.00	150
155					24.20	25.00	155
160					22.20	23.00	160
165						21.00	165
170						19.40	170
175						17.80	175
180						15.20	180

THIS CHART IS ONLY A GUIDE AND SHOULD NOT BE USED TO OPERATE THE CRANE.


The individual crane's load chart, operating instructions and other instructional plates must be read and understood prior to operating the crane.

Load chart

Main boom and MegaWingLift™


15,4 m - 60 m
(51 ft - 197 ft)


95 000 kg
(209,400 lb)


8,7 m x 8,5 m
(28.5 ft x 27.8 ft)
(100%)


360°



Pounds x 1000

Feet	114.8	130.9	147.0	163.0	179.1	196.9	Feet
20	292.00						20
25	254.00	246.00					25
30	226.00	218.00	211.00	203.00			30
35	204.00	196.00	190.00	184.00	168.00		35
40	176.00	176.00	172.00	167.00	161.00	141.00	40
45	152.00	153.00	153.00	151.00	145.00	132.00	45
50	133.00	133.00	133.00	132.00	127.00	124.00	50
55	117.00	118.00	118.00	117.00	113.00	111.00	55
60	104.00	105.00	105.00	104.00	101.00	99.00	60
65	93.00	94.00	94.00	94.00	91.00	89.00	65
70	84.00	85.00	85.00	85.00	82.00	81.00	70
75	76.00	77.00	77.00	77.00	75.00	74.00	75
80	70.00	70.00	70.00	70.00	68.00	67.00	80
85	64.00	64.00	64.00	64.00	62.00	61.00	85
90	58.00	59.00	59.00	59.00	57.00	56.00	90
95	54.00	54.00	54.00	54.00	52.00	52.00	95
100		50.00	50.00	49.00	48.00	48.00	100
105		46.00	46.00	45.00	43.80	43.80	105
110		41.80	41.60	41.00	39.80	40.40	110
115		38.20	38.00	37.40	36.20	37.00	115
120			34.60	34.20	33.00	33.80	120
125			31.60	31.20	30.00	30.80	125
130			29.00	28.40	27.20	28.00	130
135				25.80	24.60	25.40	135
140				23.60	22.40	23.20	140
145				21.40	20.20	21.00	145
150				19.66	18.20	19.00	150
155					16.40	17.00	155
160					14.80	15.40	160
165						13.80	165
170						12.20	170
175						10.80	175
180						9.60	180

THIS CHART IS ONLY A GUIDE AND SHOULD NOT BE USED TO OPERATE THE CRANE.

Load chart

Main boom and MegaWingLift™



15,4 m - 60 m
(51 ft - 197 ft)



75 000 kg
(165,300 lb)



8,7 m x 8,5 m
(28.5 ft x 27.8 ft)
(100%)



360°



Pounds x 1000


Feet	114.8	130.9	147.0	163.0	179.1	196.9	Feet
20	292.00						20
25	254.00	246.00					25
30	226.00	218.00	211.00	199.00			30
35	189.00	186.00	178.00	170.00	162.00		35
40	159.00	157.00	151.00	145.00	139.00	135.00	40
45	136.00	135.00	130.00	125.00	120.00	117.00	45
50	119.00	118.00	114.00	110.00	105.00	103.00	50
55	105.00	104.00	100.00	97.00	93.00	91.00	55
60	93.00	92.00	89.00	86.00	83.00	81.00	60
65	83.00	82.00	80.00	77.00	74.00	72.00	65
70	73.00	74.00	72.00	69.00	66.00	65.00	70
75	64.00	65.00	65.00	62.00	60.00	59.00	75
80	57.00	58.00	58.00	56.00	54.00	53.00	80
85	51.00	52.00	52.00	51.00	49.00	48.00	85
90	46.00	47.00	46.00	46.00	44.00	43.80	90
95	40.80	41.80	41.60	41.00	40.00	39.80	95
100		37.60	37.40	36.80	35.80	36.20	100
105		33.80	33.60	33.00	31.80	32.80	105
110		30.40	30.20	29.60	28.40	29.40	110
115		27.40	27.20	26.60	25.40	26.20	115
120			24.40	23.80	22.60	23.40	120
125			21.80	21.20	20.00	20.80	125
130			19.60	19.00	17.80	18.60	130
135				16.80	15.60	16.40	135
140				14.80	13.60	14.40	140
145				13.00	11.80	12.60	145
150				11.40	10.20	10.80	150
155					8.60	9.20	155
160					7.20	7.80	160
165						6.40	165
170						5.20	170
175						4.00	175

Load chart

Main boom and MegaWingLift™


15,4 m - 60 m
(51 ft - 197 ft)


55 000 kg
(121,200 lb)


8,7 m x 8,5 m
(28.5 ft x 27.8 ft)
(100%)


360°




Pounds x 1000

Feet	114.8	130.9	147.0	163.0	179.1	196.9	Feet
20	292.00						20
25	244.00	230.00					25
30	192.00	184.00	175.00	166.00			30
35	157.00	152.00	145.00	138.00	132.00		35
40	131.00	127.00	122.00	117.00	112.00	108.00	40
45	112.00	109.00	105.00	101.00	96.00	93.00	45
50	97.00	94.00	91.00	87.00	83.00	81.00	50
55	84.00	82.00	79.00	76.00	73.00	71.00	55
60	72.00	72.00	70.00	67.00	64.00	63.00	60
65	62.00	63.00	62.00	60.00	57.00	56.00	65
70	54.00	55.00	55.00	53.00	50.00	50.00	70
75	47.00	48.00	48.00	47.00	45.00	44.00	75
80	41.00	42.20	42.00	41.60	39.80	39.40	80
85	36.00	37.00	36.80	36.40	35.20	35.20	85
90	31.40	32.60	32.40	31.80	30.80	31.60	90
95	27.60	29.60	28.40	27.80	26.80	27.60	95
100		25.00	25.00	24.40	23.20	24.20	100
105		22.00	21.80	21.20	20.00	21.00	105
110		19.20	19.00	18.40	17.20	18.20	110
115		16.60	16.40	15.80	14.80	15.60	115
120			14.20	13.60	12.40	13.20	120
125			12.00	11.60	10.40	11.20	125
130			10.20	9.60	8.40	9.20	130
135				7.80	6.60	7.40	135
140				6.20	5.00	5.80	140
145				4.80	3.60	4.20	145


15,4 m - 60 m
(51 ft - 197 ft)


45 000 kg
(99,200 lb)


8,7 m x 8,5 m
(28.5 ft x 27.8 ft)
(100%)


360°



Pounds x 1000

Feet	114.8	130.9	147.0	163.0	179.1	196.9	Feet
20	292.00						20
25	219.00	208.00					25
30	172.00	165.00	157.00	149.00			30
35	140.00	135.00	129.00	123.00	117.00		35
40	117.00	113.00	108.00	104.00	98.00	96.00	40
45	99.00	96.00	93.00	89.00	84.00	82.00	45
50	85.00	83.00	80.00	76.00	73.00	71.00	50
55	72.00	72.00	69.00	66.00	63.00	62.00	55
60	61.00	62.00	61.00	58.00	55.00	54.00	60
65	52.00	53.00	53.00	51.00	48.00	48.00	65
70	45.00	46.00	46.00	45.00	42.60	42.00	70
75	38.60	39.80	39.60	39.20	37.60	37.20	75
80	33.40	34.40	34.20	33.80	32.60	32.80	80
85	28.80	29.80	29.60	29.20	28.00	28.80	85
90	24.80	25.80	25.60	25.00	24.00	24.80	90
95	21.20	22.20	22.00	21.60	20.40	21.20	95
100		19.00	19.00	18.40	17.20	18.00	100
105		16.20	16.00	15.60	14.40	15.20	105
110		13.80	13.60	13.00	11.80	12.80	110
115		11.60	11.20	10.80	9.60	10.80	115
120			9.20	8.60	7.60	8.40	120
125			7.40	6.80	5.60	6.40	125
130			5.60	5.00	4.00	4.60	130
135				3.60			135

THIS CHART IS ONLY A GUIDE AND SHOULD NOT BE USED TO OPERATE THE CRANE.

Load chart

Main boom and MegaWingLift™



15,4 m - 60 m
(51 ft - 197 ft)



35 000 kg
(77,100 lb)



8,7 m x 8,5 m
(28.5 ft x 27.8 ft)
(100%)



360°



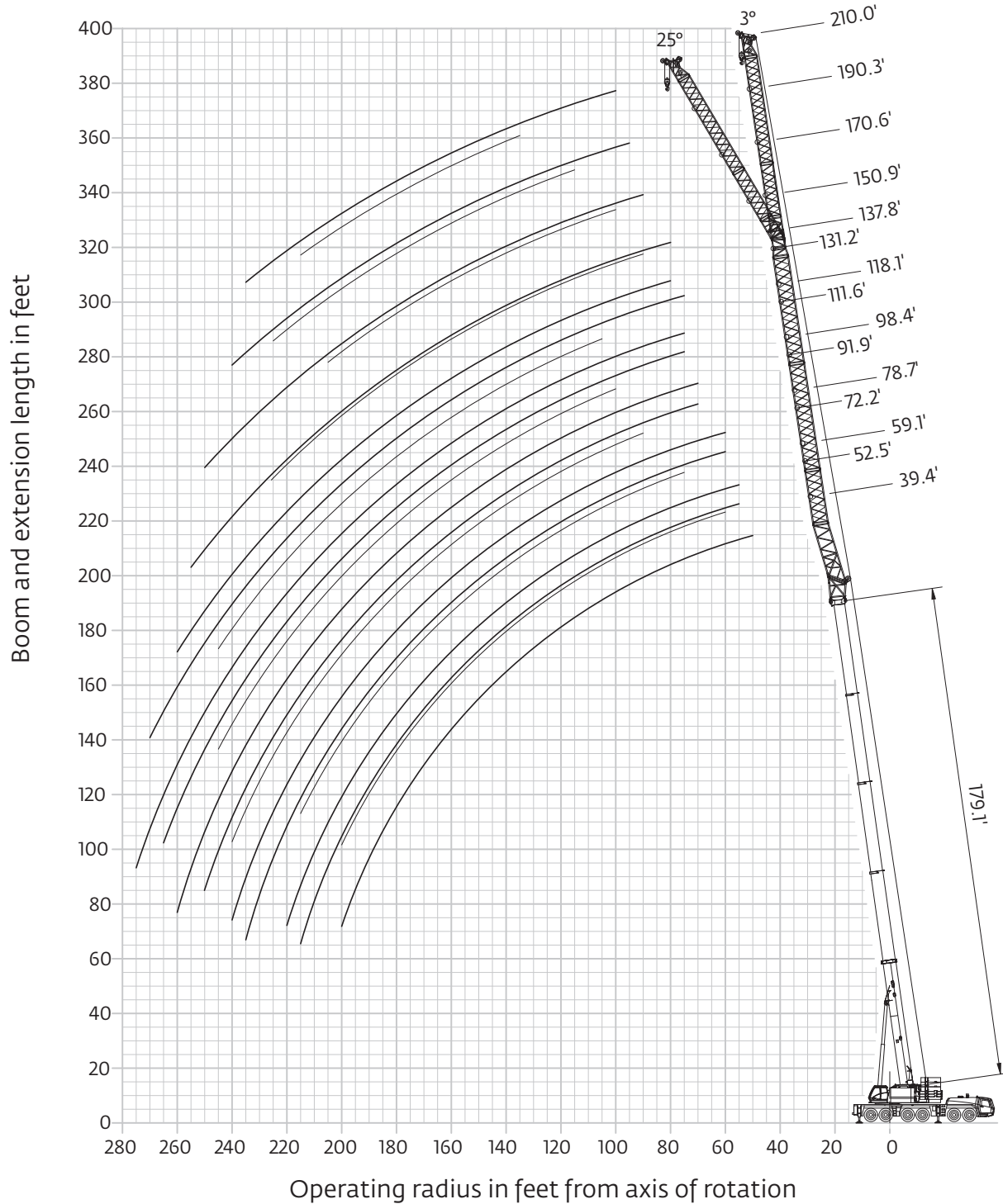
Pounds x 1000

Feet	114.8	130.9	147.0	163.0	179.1	196.9	Feet
20	258.00						20
25	192.00	182.00					25
30	150.00	144.00	137.00	129.00			30
35	122.00	117.00	112.00	107.00	101.00		35
40	101.00	98.00	93.00	89.00	84.00	82.00	40
45	85.00	83.00	79.00	76.00	72.00	70.00	45
50	71.00	71.00	68.00	65.00	61.00	60.00	50
55	59.00	60.00	59.00	56.00	53.00	52.00	55
60	49.00	51.00	51.00	48.00	46.00	45.00	60
65	41.60	42.80	42.60	42.20	39.60	39.00	65
70	35.20	36.20	36.20	35.60	34.20	33.80	70
75	29.60	30.80	30.60	30.20	29.00	29.40	75
80	25.00	26.00	26.00	25.40	24.20	25.20	80
85	21.00	22.00	21.80	21.40	20.20	21.20	85
90	17.40	18.40	18.40	17.80	16.60	17.60	90
95	14.20	15.40	15.20	14.60	13.60	14.40	95
100		12.60	12.40	12.00	10.80	11.60	100
105		10.20	10.00	9.40	8.20	9.20	105
110		8.00	7.80	7.20	6.00	6.80	110
115		6.00	5.80	5.20	4.00	4.80	115
120			4.00				120

Working range

Lattice extension

Main boom and lattice extension



Hook heights shown in the working diagram do not consider loaded boom deflection.

THIS CHART IS ONLY A GUIDE AND SHOULD NOT BE USED TO OPERATE THE CRANE.

Load chart

Lattice extension



49,69 m
(163 ft)
80°



12 m - 64 m
(39.4 ft - 210.0 ft)
3°



135 000 kg
(297,600 lb)



8,7 m x 8,5 m
(28.5 ft x 27.9 ft)
(100%)



360°





Pounds x 1000


Feet	39.4	52.5	72.2	91.9	111.6	131.2	150.9	170.6	190.3	210.0	Feet
45	76.00										45
50	74.00	66.00									50
55	71.00	64.00	53.00								55
60	67.00	62.00	53.00	40.60							60
65	63.00	59.00	52.00	39.40							65
70	59.00	55.00	50.00		32.20						70
75	56.00	52.00	48.00	37.20	31.20	26.00	22.80				75
80	52.00	49.00	45.00	36.00	30.20	25.20	22.00	18.60			80
85	49.00	46.00	43.60	35.00	29.40	24.40	21.40	18.00			85
90	46.00	43.00	41.40	34.00	28.40	23.60	20.60	17.40	15.00		90
95	43.20	40.60	39.40	33.00	27.40	23.00	20.00	16.80	14.40	12.60	95
100	40.80	38.20	37.20	32.20	26.40	22.20	19.40	16.20	14.00	12.20	100
105	38.60	36.00	35.20	31.20	25.60	21.60	18.80	15.80	13.40	11.80	105
110	36.40	33.80	33.00	30.40	24.80	21.00	18.20	15.20	13.00	11.40	110
115	34.40	31.80	31.20	29.20	24.20	20.40	17.60	14.60	12.60	11.00	115
120	32.60	30.00	29.40	28.00	23.60	19.80	17.00	14.20	12.00	10.60	120
125	30.80	28.20	27.60	26.60	23.00	19.20	16.40	13.60	11.60	10.00	125
130	29.00	26.20	25.80	25.40	22.20	18.60	15.80	13.20	11.20	9.80	130
135	27.40	24.80	24.40	24.20	21.80	18.20	15.40	12.80	10.80	9.40	135
140	25.80	23.40	23.20	23.00	21.20	17.80	15.00	12.40	10.40	9.00	140
145	24.20	22.00	21.80	21.80	20.60	17.20	14.40	11.80	10.00	8.60	145
150	22.80	20.60	20.60	20.40	20.00	16.80	14.00	11.40	9.60	8.20	150
155	21.40	19.60	19.40	19.40	19.20	16.40	13.60	11.20	9.40	8.00	155
160	20.20	18.40	18.40	18.40	18.20	16.00	13.20	10.80	9.00	7.60	160
165	19.00	17.20	17.20	17.40	17.20	15.60	12.80	10.40	8.60	7.40	165
170	18.00	16.20	16.20	16.40	16.20	15.20	12.40	10.00	8.20	7.00	170
175	17.00	15.40	15.40	15.60	15.40	14.60	12.00	9.60	8.00	6.80	175
180	16.00	14.40	14.60	14.60	14.60	14.00	11.60	9.40	7.80	6.40	180
185	15.00	13.40	13.80	13.80	13.80	13.40	11.40	9.00	7.40	6.20	185
190	11.00	12.60	12.80	13.00	13.00	12.80	11.00	8.80	7.20	6.00	190
195		11.60	12.00	12.20	12.20	12.20	10.60	8.40	6.80	5.80	195
200			11.20	11.40	11.40	11.60	10.20	8.20	6.60	5.40	200
205			10.40	10.80	10.80	11.00	9.60	8.00	6.40	5.20	205
210			9.80	10.20	10.20	10.20	9.00	7.60	6.20	5.00	210
215			9.00	9.40	9.40	9.60	8.40	7.40	6.00	4.80	215
220			5.40	8.80	8.80	9.00	7.80	7.00	5.60	4.60	220
225				8.20	8.20	8.40	7.20	6.60	5.40	4.40	225
230				7.60	7.80	7.80	6.60	6.00	5.20	4.20	230
235				6.60	7.20	7.40	6.20	5.60	5.00	4.00	235
240					6.60	6.80	5.80	5.00	4.80	3.80	240
245					6.00	6.40	5.20	4.60	4.40	3.60	245
250					5.60	5.80	4.80	4.00	4.00		250
255					3.80	5.40	4.20	3.60	3.60		255
260						4.80	3.80				260
265						4.40					265
270						4.00					270


Load chart


Lattice extension



 **54,59 m**
(179.1 ft)
80°

 **12 m - 64 m**
(39.4 ft - 210.0 ft)
3°

 **135 000 kg**
(297,600 lb)

 **8,7 m x 8,5 m**
(28.5 ft x 27.9 ft)
(100%)

 **360°**

  **Pounds x 1000**

Feet	39.4	52.5	72.2	91.9	111.6	131.2	150.9	170.6	190.3	210.0	Feet
50	62.00										50
55	61.00	53.00									55
60	59.00	53.00	42.80								60
65	57.00	51.00	42.80								65
70	54.00	49.00	42.80	35.80							70
75	52.00	47.00	41.40	35.00	29.80	24.40					75
80	49.00	45.00	39.80	34.20	29.20	23.80	19.80				80
85	46.00	42.80	38.20	33.60	28.40	23.20	19.80				85
90	43.80	40.80	36.60	32.80	27.40	22.60	19.20	15.80			90
95	41.40	38.60	35.20	31.60	26.60	22.00	18.80	15.60	13.20		95
100	39.00	36.40	33.60	30.40	26.00	21.40	18.40	15.20	12.80	11.00	100
105	37.00	34.40	32.20	29.20	25.40	21.00	17.80	14.80	12.40	10.80	105
110	34.80	32.40	30.80	28.00	24.80	20.40	17.40	14.40	12.20	10.40	110
115	33.00	30.60	29.20	26.80	24.00	20.00	16.80	14.00	11.80	10.20	115
120	31.00	28.80	27.80	25.60	23.00	19.40	16.40	13.60	11.40	9.80	120
125	29.20	27.00	26.20	24.20	22.20	19.00	16.00	13.20	11.00	9.40	125
130	27.40	25.20	24.60	23.00	21.20	18.40	15.40	12.80	10.80	9.20	130
135	26.00	23.80	23.40	22.00	20.40	18.00	15.00	12.40	10.40	8.80	135
140	24.60	22.40	22.20	21.00	19.60	17.60	14.60	12.00	10.00	8.60	140
145	23.20	21.20	21.00	20.20	18.80	17.00	14.20	11.60	9.60	8.20	145
150	22.00	20.00	19.60	19.20	17.80	16.60	13.80	11.20	9.40	8.00	150
155	20.80	18.80	18.60	18.40	17.20	16.00	13.20	11.00	9.00	7.60	155
160	19.60	17.80	17.60	17.40	16.40	15.20	12.80	10.60	8.80	7.40	160
165	18.60	16.60	16.60	16.60	15.80	14.60	12.20	10.20	8.40	7.20	165
170	17.60	15.60	15.60	15.60	15.00	14.00	11.60	10.00	8.20	6.80	170
175	16.60	14.80	14.80	14.80	14.40	13.40	11.20	9.40	8.00	6.60	175
180	15.80	14.00	14.00	14.00	13.60	12.80	10.60	9.00	7.60	6.40	180
185	14.80	13.00	13.20	13.20	13.00	12.40	10.00	8.60	7.40	6.20	185
190	14.00	12.20	12.20	12.40	12.20	11.80	9.60	8.20	7.20	6.00	190
195	13.20	11.40	11.40	11.60	11.60	11.20	9.00	7.80	6.80	5.60	195
200	12.20	10.60	10.80	11.00	11.00	10.80	8.60	7.20	6.40	5.40	200
205		9.80	10.00	10.20	10.20	10.20	8.20	6.80	6.00	5.20	205
210		9.20	9.40	9.60	9.60	9.60	7.80	6.40	5.80	5.00	210
215		6.60	8.80	9.00	9.00	9.00	7.40	6.00	5.40	4.80	215
220			8.00	8.40	8.40	8.40	7.00	5.60	5.00	4.60	220
225			7.40	7.80	7.80	7.80	6.60	5.20	4.60	4.20	225
230			6.80	7.20	7.20	7.40	6.20	5.00	4.40	4.00	230
235			3.60	6.60	6.80	6.80	5.80	4.60	4.00	3.60	235
240				6.00	6.20	6.40	5.20	4.20	3.60		240
245				5.60	5.80	5.80	4.80	4.00			245
250				4.60	5.20	5.40	4.40	3.40			250
255					4.80	4.80	3.80				255
260					4.20	4.40					260
265					3.80	4.00					265
270						3.60					270

THIS CHART IS ONLY A GUIDE AND SHOULD NOT BE USED TO OPERATE THE CRANE.

Grove GMK6400 The individual crane's load chart, operating instructions and other instructional plates must be read and understood prior to operating the crane.

Load chart

Lattice extension



60,00 m
(196.9 ft)
80°



12 m - 36 m
(39.4 ft - 118.1 ft)
3°



135 000 kg
(297,600 lb)



8,7 m x 8,5 m
(28.5 ft x 27.9 ft)
(100%)



360°



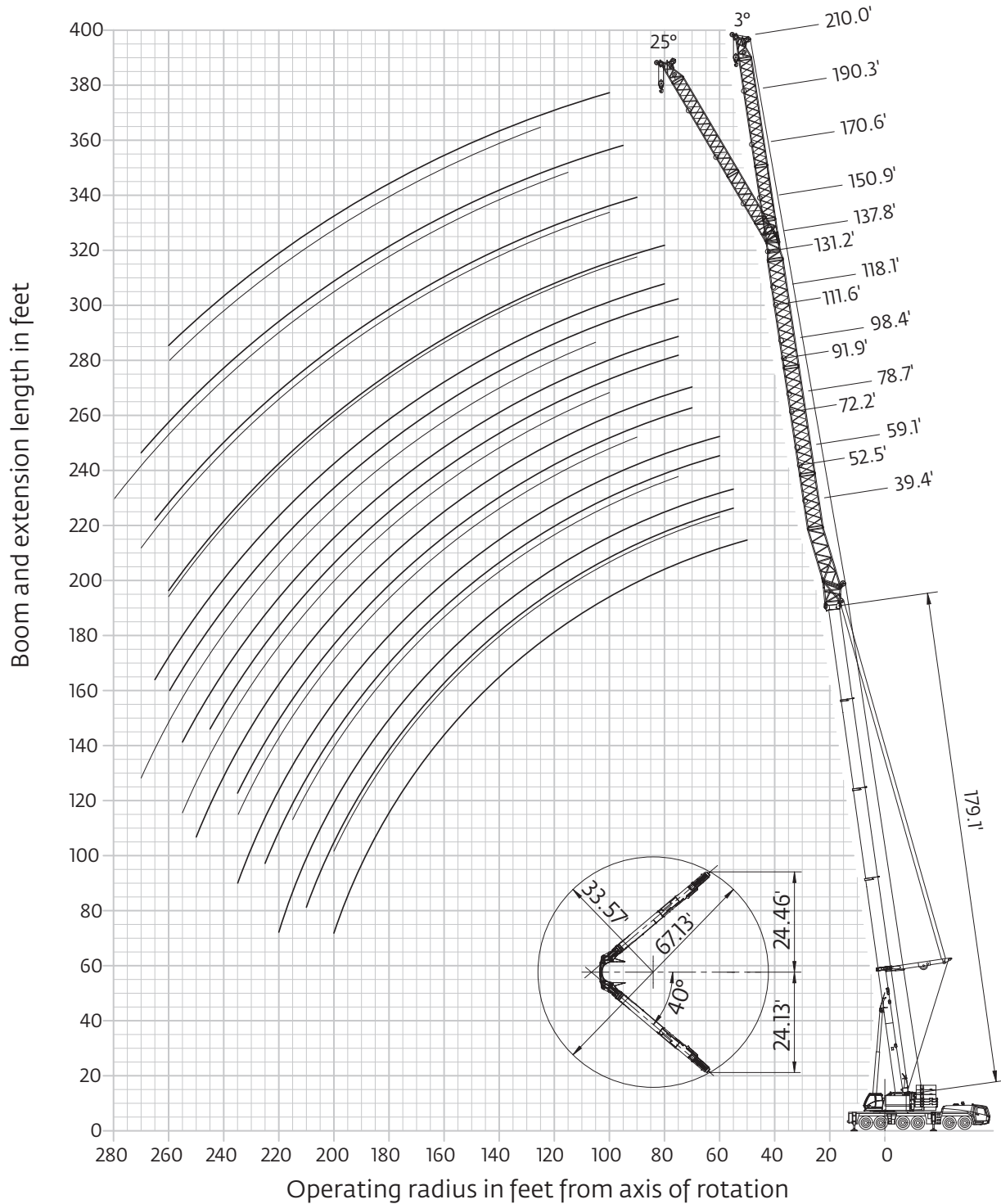
Pounds x 1000

Feet	39.4	52.5	52.5/ 25°	72.2	72.2/ 25°	91.9	91.9/ 25°	111.6	118.1	Feet
55	49.00									55
60	49.00	41.80								60
65	49.00	41.80								65
70	49.00	41.80	41.80	34.20						70
75	47.00	41.80	40.40	34.20		28.60				75
80	45.00	40.80	39.00	34.20	34.20	28.60		23.40	22.40	80
85	42.80	39.20	37.60	34.20	33.40	28.60		23.40	22.40	85
90	40.60	37.40	36.00	33.60	32.20	28.60		23.40	22.40	90
95	38.40	35.60	34.60	32.40	31.00	28.60	26.40	23.40	22.40	95
100	36.40	33.60	33.00	31.00	29.80	27.80	26.00	23.40	22.40	100
105	34.40	31.80	31.20	30.00	28.40	26.60	25.40	23.40	22.40	105
110	32.40	30.00	29.20	28.80	27.20	25.40	24.40	23.00	22.40	110
115	30.60	28.20	27.40	27.40	26.00	24.40	23.60	22.20	22.20	115
120	28.80	26.60	25.80	25.80	25.00	23.60	22.80	21.40	21.40	120
125	27.20	24.80	24.40	24.20	24.00	22.60	21.80	20.60	20.60	125
130	25.40	23.20	23.20	22.80	23.00	21.60	21.00	19.80	19.80	130
135	24.00	21.80	21.80	21.40	22.20	20.80	20.20	19.00	19.20	135
140	22.80	20.60	20.40	20.40	21.20	19.80	19.40	18.40	18.40	140
145	21.40	19.40	19.20	19.20	20.00	18.80	18.60	17.60	17.80	145
150	20.20	18.20	18.00	18.00	19.00	18.00	17.80	16.80	17.00	150
155	19.20	17.20	17.00	17.00	17.80	17.00	17.00	16.00	16.40	155
160	18.00	16.00	16.00	16.00	16.80	16.00	16.40	15.40	15.60	160
165	17.00	15.00	15.00	15.00	15.80	15.00	15.60	14.80	15.00	165
170	16.00	14.20	14.00	14.00	14.80	14.20	14.80	14.00	14.40	170
175	15.20	13.20	13.00	13.20	14.00	13.40	14.00	13.20	13.80	175
180	14.40	12.40	12.20	12.40	13.20	12.60	13.40	12.60	13.20	180
185	13.40	11.60	11.40	11.60	12.40	11.80	12.60	11.80	12.40	185
190	12.60	10.80	10.60	10.80	11.40	11.00	11.80	11.00	11.80	190
195	11.80	10.00	9.80	10.00	10.60	10.40	11.20	10.40	11.20	195
200	11.00	9.20	9.00	9.40	10.00	9.60	10.40	9.60	10.60	200
205	10.40	8.60	8.20	8.80	9.20	9.00	9.80	9.00	10.00	205
210	9.60	7.80	7.60	8.00	8.60	8.40	9.00	8.40	9.40	210
215	9.00	7.20	7.00	7.40	8.00	7.60	8.40	7.80	8.80	215
220		6.60		6.80	7.20	7.00	7.80	7.20	8.20	220
225		6.00		6.20	6.60	6.40	7.20	6.60	7.60	225
230				5.60	6.00	6.00	6.60	6.00	7.00	230
235				5.20	5.40	5.40	6.00	5.60	6.60	235
240				4.60		5.00	5.40	5.00	6.00	240
245				4.20		4.40	4.80	4.60	5.60	245
250						4.00	4.40	4.00	5.00	250
255						3.60	3.80	3.60	4.60	255
260									4.20	260
265									3.80	265

Working range

Lattice extension and MegaWingLift™

Main boom, lattice extension and MegaWingLift™

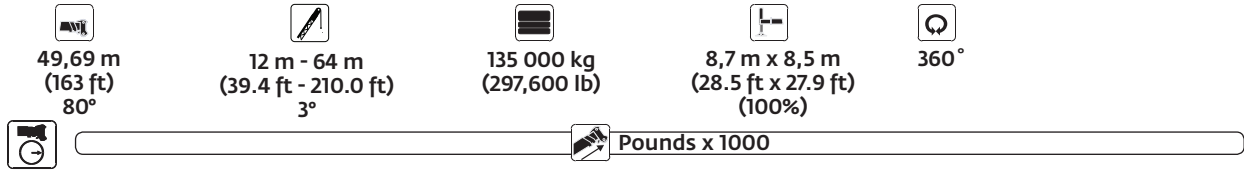


THIS CHART IS ONLY A GUIDE AND SHOULD NOT BE USED TO OPERATE THE CRANE.

Grove GMK6400 The individual crane's load chart, operating instructions and other instructional plates must be read and understood prior to operating the crane.

Load chart


Lattice extension and MegaWingLift™





Feet	39.4	52.5	72.2	91.9	111.6	131.2	150.9	170.6	190.3	210.0	Feet
45	127.00										45
50	119.00	104.00									50
55	112.00	100.00	73.00								55
60	106.00	96.00	70.00	53.00							60
65	99.00	91.00	68.00	51.00							65
70	93.00	86.00	65.00	49.00	39.80						70
75	87.00	82.00	63.00	47.00	38.20	32.00	28.00				75
80	82.00	78.00	61.00	45.00	36.80	30.80	26.20	22.80			80
85	77.00	73.00	59.00	43.80	35.60	29.60	25.00	21.60			85
90	70.00	69.00	57.00	42.40	34.20	28.20	24.00	20.60	18.20		90
95	65.00	64.00	55.00	41.20	33.00	26.80	23.00	19.80	17.40	15.00	95
100	60.00	59.00	53.00	39.80	31.80	25.60	22.00	18.80	16.60	14.40	100
105	55.00	55.00	51.00	38.60	30.60	24.60	21.00	18.20	16.00	13.80	105
110	51.00	50.00	50.00	37.40	29.40	23.80	20.20	17.40	15.20	13.20	110
115	47.00	47.00	48.00	36.40	28.20	23.00	19.40	16.80	14.60	12.60	115
120	43.60	43.20	45.00	35.40	27.00	22.40	18.80	16.00	14.00	12.20	120
125	40.40	40.00	42.00	34.60	26.20	21.60	18.20	15.60	13.40	11.60	125
130	37.60	37.20	39.20	33.60	25.60	20.80	17.60	15.00	12.80	11.20	130
135	35.00	34.40	36.40	32.60	24.80	20.20	16.80	14.40	12.40	10.60	135
140	32.40	32.00	33.80	31.80	24.20	19.80	16.20	14.00	11.80	10.20	140
145	30.20	29.60	31.60	30.80	23.40	19.20	15.60	13.40	11.40	9.80	145
150	28.00	27.60	29.40	30.00	22.80	18.60	15.20	13.00	11.00	9.40	150
155	26.00	25.40	27.40	29.00	22.20	18.00	14.80	12.40	10.40	9.00	155
160	24.00	23.60	25.40	27.20	21.60	17.60	14.40	12.00	10.00	8.80	160
165	21.20	21.60	23.60	25.40	21.20	17.00	13.80	11.60	9.60	8.40	165
170	18.20	19.60	22.00	23.60	20.60	16.60	13.40	11.20	9.20	8.00	170
175	15.00	17.00	20.20	22.00	20.20	16.20	13.00	11.00	9.00	7.60	175
180	14.40	14.20	18.40	20.60	19.80	15.80	12.40	10.60	8.60	7.40	180
185	10.40	11.40	16.80	18.80	19.20	15.40	12.00	10.20	8.20	7.00	185
190	4.60	8.20	14.80	17.40	18.60	15.00	11.60	9.80	8.00	6.80	190
195		7.60	12.60	16.00	17.20	14.60	11.20	9.40	7.60	6.60	195
200			10.20	14.60	15.80	14.20	11.00	9.00	7.40	6.20	200
205			7.80	13.00	14.40	14.00	10.60	8.80	7.00	6.00	205
210			7.80	11.20	13.20	13.60	10.20	8.40	6.80	5.60	210
215			4.40	9.20	12.00	13.20	9.80	8.20	6.60	5.40	215
220				7.20	10.80	12.00	9.40	7.80	6.20	5.20	220
225				4.80	9.20	11.00	9.00	7.40	6.00	5.00	225
230				4.80	7.60	9.80	8.80	7.20	5.80	4.60	230
235					5.80	8.80	8.40	6.80	5.60	4.40	235
240					4.00	7.60	7.40	6.60	5.40	4.20	240
245					3.80	6.20	6.40	6.40	5.20	4.00	245
250						4.80	5.60	6.20	4.80	3.80	250
255							4.60	5.60	4.60	3.60	255
260								4.80	4.40		260
265								4.00	4.20		265
270									4.00		270


Load chart


Lattice extension and MegaWingLift™



 **54,59 m**
 (179.1 ft)
 80°

 **12 m - 64 m**
 (39.4 ft - 210.0 ft)
 3°

 **135 000 kg**
 (297,600 lb)

 **8,7 m x 8,5 m**
 (28.5 ft x 27.9 ft)
 (100%)

 **360°**


 **Pounds x 1000**


Feet	39.4	52.5	72.2	91.9	111.6	131.2	150.9	170.6	190.3	210.0	Feet
50	108.00										50
55	102.00	93.00									55
60	96.00	88.00	69.00								60
65	91.00	83.00	67.00								65
70	85.00	79.00	64.00	48.00							70
75	81.00	74.00	62.00	46.00	37.80	31.40					75
80	77.00	70.00	61.00	45.00	36.40	30.40	25.40				80
85	73.00	67.00	59.00	43.60	35.20	29.20	24.60				85
90	69.00	64.00	57.00	42.20	34.00	28.20	23.60	20.40			90
95	66.00	61.00	55.00	40.80	33.00	27.20	22.60	19.60	17.20		95
100	61.00	57.00	52.00	39.60	31.80	26.00	21.80	18.80	16.40	13.80	100
105	56.00	55.00	50.00	38.60	30.80	25.00	21.00	18.20	15.80	13.80	105
110	52.00	51.00	48.00	37.60	29.80	23.80	20.40	17.40	15.20	13.20	110
115	48.00	47.00	46.00	36.40	28.80	23.20	19.60	16.80	14.60	12.60	115
120	45.00	44.00	44.00	35.40	27.80	22.40	18.80	16.20	14.00	12.20	120
125	41.60	40.80	42.40	34.60	26.80	21.80	18.20	15.60	13.60	11.60	125
130	38.80	37.80	39.60	33.80	25.80	21.20	17.60	15.00	13.00	11.20	130
135	36.00	35.20	36.80	33.00	25.00	20.60	17.20	14.60	12.40	10.80	135
140	33.60	32.60	34.40	32.20	24.40	20.00	16.60	14.20	12.00	10.40	140
145	31.20	30.40	32.00	31.40	23.80	19.40	16.00	13.60	11.40	10.00	145
150	29.00	28.20	29.80	30.60	23.40	19.00	15.40	13.20	11.00	9.40	150
155	27.00	26.20	27.80	29.40	22.80	18.60	15.00	12.80	10.60	9.20	155
160	25.20	24.20	26.00	27.40	22.20	18.00	14.60	12.20	10.20	8.80	160
165	23.40	22.40	24.20	25.60	21.60	17.60	14.20	11.80	9.80	8.40	165
170	21.60	20.60	22.40	24.00	21.20	17.00	13.80	11.40	9.40	8.20	170
175	19.60	18.80	20.80	22.40	20.80	16.60	13.20	11.20	9.00	7.80	175
180	17.20	17.00	19.00	20.80	20.20	16.20	12.80	10.80	8.80	7.60	180
185	14.60	15.20	17.40	19.20	19.80	15.80	12.40	10.40	8.40	7.20	185
190	11.80	13.00	15.80	17.80	18.80	15.40	12.00	10.00	8.20	7.00	190
195	10.00	10.60	14.40	16.20	17.40	15.20	11.60	9.80	7.80	6.60	195
200	8.00	8.20	13.00	15.00	16.00	14.80	11.20	9.40	7.60	6.40	200
205		6.80	11.20	13.60	14.60	14.40	11.00	9.00	7.40	6.20	205
210		5.00	9.20	12.40	13.40	14.20	10.60	8.80	7.00	6.00	210
215			7.20	11.20	12.20	13.20	10.20	8.40	6.80	5.60	215
220			5.00	9.80	11.00	12.00	10.00	8.20	6.40	5.40	220
225			4.00	8.00	10.00	11.00	9.60	7.80	6.20	5.20	225
230				6.40	9.00	10.00	9.20	7.60	6.00	5.00	230
235				4.40	7.80	9.00	8.80	7.40	5.80	4.60	235
240					6.40	8.00	7.80	7.00	5.60	4.40	240
245					5.00	7.00	6.80	6.80	5.40	4.20	245
250						6.20	6.00	6.40	5.20	4.00	250
255						5.00	5.00	5.60	5.00	3.80	255
260						3.80	4.20	4.80	4.80	3.60	260
265								4.00	4.60		265
270									3.80		270

THIS CHART IS ONLY A GUIDE AND SHOULD NOT BE USED TO OPERATE THE CRANE.


Grove GMK6400 The individual crane's load chart, operating instructions and other instructional plates must be read and understood prior to operating the crane.

Load chart


Lattice extension and MegaWingLift™




60,00 m
(196.9 ft)
80°




12 m - 30 m
(39.4 ft - 98.4 ft)
3°





135 000 kg
(297,600 lb)



8,7 m x 8,5 m
(28.5 ft x 27.9 ft)
(100%)



360°

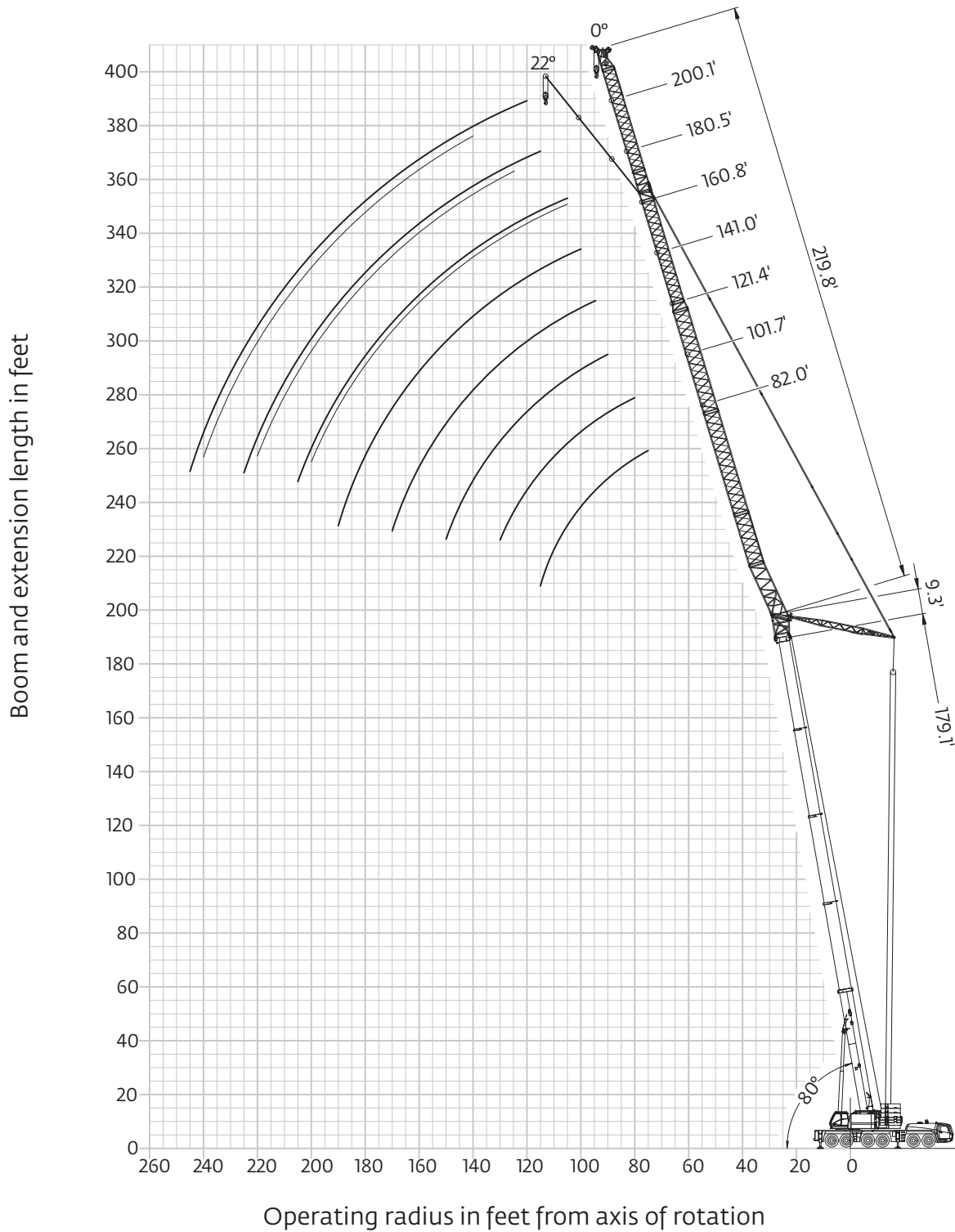

Pounds x 1000


Feet	39.4	52.5	52.5/ 25°	59.1	72.2	72.2/ 25°	78.7	91.9	98.4	Feet
55	94.00									55
60	89.00	78.00		74.00						60
65	85.00	74.00		70.00						65
70	81.00	71.00	65.00	67.00	60.00		58.00			70
75	77.00	68.00	63.00	65.00	57.00		55.00	47.00	46.00	75
80	74.00	65.00	60.00	62.00	55.00	45.00	53.00	45.00	45.00	80
85	71.00	62.00	58.00	60.00	53.00	43.80	51.00	43.80	43.40	85
90	67.00	60.00	56.00	57.00	50.00	42.80	49.00	42.60	42.00	90
95	64.00	58.00	54.00	55.00	48.00	42.00	47.00	41.20	40.60	95
100	61.00	55.00	52.00	54.00	47.00	41.00	45.00	40.00	39.00	100
105	56.00	53.00	51.00	52.00	45.00	40.00	43.80	38.80	37.60	105
110	52.00	51.00	49.00	50.00	43.60	39.00	42.40	37.60	36.60	110
115	48.00	47.00	47.00	48.00	42.00	37.80	41.00	36.40	35.40	115
120	45.00	44.00	45.00	46.00	40.60	36.80	39.60	35.20	34.40	120
125	41.40	40.80	42.00	43.00	39.40	35.80	38.20	34.00	33.20	125
130	38.60	38.00	39.00	40.20	38.20	34.80	37.20	32.80	32.00	130
135	35.80	35.20	36.20	37.40	36.40	34.00	36.20	31.80	31.00	135
140	33.40	32.80	33.60	35.00	34.00	33.20	35.20	31.00	30.00	140
145	31.00	30.40	31.40	32.60	31.60	32.40	34.00	30.00	29.20	145
150	29.00	28.20	29.00	30.40	29.40	31.60	31.80	29.00	28.40	150
155	27.00	26.20	27.00	28.40	27.40	29.60	29.80	28.00	27.40	155
160	25.00	24.40	24.00	26.40	25.60	27.60	27.80	27.00	26.60	160
165	23.20	22.40	23.20	24.80	23.80	25.60	26.20	25.20	25.80	165
170	21.40	20.60	21.40	23.00	22.00	24.00	24.40	23.60	25.00	170
175	19.80	18.80	19.60	21.40	20.20	22.20	22.80	22.00	23.60	175
180	18.00	17.00	17.80	19.80	18.60	20.60	21.40	20.20	22.00	180
185	16.40	15.40	16.20	18.20	17.00	18.80	19.80	18.60	20.60	185
190	14.80	14.00	14.60	16.60	15.40	17.20	18.40	17.20	19.20	190
195	12.80	12.60	13.00	15.20	14.00	15.80	16.80	15.80	17.60	195
200	10.40	11.00	11.60	13.80	12.60	14.20	15.40	14.40	16.20	200
205	8.20	9.00	9.80	12.60	11.40	12.80	14.20	13.00	15.00	205
210	5.60	7.00	7.80	11.00	10.20	11.60	13.00	11.80	13.80	210
215	5.40	5.00	5.60	9.00	9.00	10.20	11.80	10.60	12.60	215
220				7.00	7.40	9.00	10.60	9.40	11.40	220
225				5.00	5.60	7.40	9.40	8.40	10.40	225
230				5.00	3.80		7.80	7.40	9.40	230
235							6.00	6.20	8.40	235
240							4.40	4.60	7.40	240
245								6.00	245	245
250								4.60	250	250

Working range

Luffing jib

Main boom and luffing jib - 80°



Hook heights shown in the working diagram do not consider loaded boom deflection.

THIS CHART IS ONLY A GUIDE AND SHOULD NOT BE USED TO OPERATE THE CRANE.

Grove GMK6400 The individual crane's load chart, operating instructions and other instructional plates must be read and understood prior to operating the crane.

Load chart

Luffing jib



15,39 m
(50.5 ft)
80°



31 m - 73 m
(101.7 ft - 239.5 ft)



135 000 kg
(297,600 lb)



8,7 m x 8,5 m
(28.5 ft x 27.9 ft)
(100%)



360°



Pounds x 1000

Feet	101.7 0°	121.4 0°	141.1 0°	160.8 0°	180.5 0° 22°		200.1 0° 22°		219.8 0° 22°		239.5 0° 22°		Feet
60													60
65			68.00										65
70		81.00	67.00	56.00									70
75		80.00	67.00	56.00	46.00								75
80	89.00	79.00	67.00	56.00	46.00	47.00	38.60						80
85	86.00	78.00	66.00	55.00	46.00	46.00	38.60						85
90	84.00	76.00	66.00	55.00	46.00	46.00	38.60		32.60				90
95	78.00	74.00	65.00	55.00	46.00	46.00	38.60	38.80	32.60		27.20		95
100	68.00	72.00	65.00	54.00	45.00	46.00	38.60	38.80	32.60		27.20		100
105		70.00	63.00	54.00	45.00	46.00	38.60	38.80	32.60	29.20	27.20		105
110		68.00	62.00	54.00	45.00	45.00	38.60	38.60	32.60	28.60	27.20		110
115		60.00	61.00	53.00	45.00	45.00	38.60	38.40	32.60	27.80	27.20		115
120		53.00	59.00	53.00	45.00	45.00	38.40	38.20	32.60	27.20	27.00	20.80	120
125			58.00	52.00	44.00	45.00	38.20	38.00	32.60	26.80	26.40	20.60	125
130			53.00	51.00	44.00	45.00	38.20	37.80	32.60	26.60	25.80	20.20	130
135			48.00	50.00	43.60	44.00	38.00	37.60	32.20	26.20	25.20	19.80	135
140				49.00	43.40	43.80	37.80	37.40	31.80	25.80	24.60	19.40	140
145				47.00	42.80	43.20	37.60	37.20	31.20	25.40	24.00	19.20	145
150				43.20	42.40	42.80	37.40	37.00	30.80	25.20	23.40	18.80	150
155				38.80	41.80	42.20	37.40	37.00	30.20	24.80	23.00	18.40	155
160					41.40	41.80	37.00	37.00	29.40	24.60	22.40	18.20	160
165					38.20	38.60	36.60	36.80	28.80	24.20	22.00	18.00	165
170					35.00	35.20	36.20	36.40	28.00	24.00	21.40	17.60	170
175					31.60		36.00	36.20	27.40	23.80	21.00	17.40	175
180							34.00	35.20	26.80	23.60	20.60	17.20	180
185							31.40	32.40	26.40	23.40	20.00	17.00	185
190							28.60	29.60	25.80	23.40	19.60	16.80	190
195							25.80		25.40	23.20	19.20	16.60	195
200									25.00	23.20	18.80	16.60	200
205									24.40	23.20	18.40	16.40	205
210									23.60		18.00	16.20	210
215									21.20		17.60	16.20	215
220											17.40	16.20	220
225											17.00	16.20	225
230											16.80		230
235											16.40		235

Load chart

Luffing jib



25,19 m
(82.6 ft)
80°



25 m - 73 m
(82.0 ft - 239.5 ft)



135 000 kg
(297,600 lb)



8,7 m x 8,5 m
(28.5 ft x 27.9 ft)
(100%)



360°



Pounds x 1000

Feet	82.0 0°	101.7 0°	121.4 0°	141.1 0°	160.8 0°	180.5 0° 22°		200.1 0° 22°		219.8 0° 22°		239.5 0° 22°		Feet
50	111.00													50
55	111.00	88.00												55
60	109.00	88.00	71.00											60
65	105.00	88.00	71.00											65
70	100.00	88.00	71.00	58.00										70
75	96.00	88.00	71.00	58.00	48.00									75
80	92.00	88.00	71.00	58.00	48.00	39.60								80
85	90.00	88.00	71.00	58.00	48.00	39.60								85
90	84.00	88.00	71.00	58.00	48.00	39.60	40.20	33.20						90
95		84.00	71.00	58.00	48.00	39.60	40.20	33.20		28.20				95
100		79.00	71.00	58.00	48.00	39.60	40.20	33.20	33.80	28.20		23.40		100
105		75.00	71.00	58.00	48.00	39.60	40.20	33.20	33.80	28.20		23.40		105
110		64.00	70.00	58.00	48.00	39.60	40.20	33.20	33.80	28.20		23.40		110
115			67.00	58.00	48.00	39.60	40.20	33.20	33.80	28.20	27.60	23.40		115
120			63.00	58.00	48.00	39.60	40.20	33.20	33.80	28.20	27.00	23.40		120
125			60.00	58.00	48.00	39.60	40.20	33.20	33.80	28.20	26.60	23.40	20.60	125
130			51.00	57.00	48.00	39.60	40.20	33.20	33.80	28.20	26.20	23.40	20.20	130
135				54.00	48.00	39.60	40.20	33.20	33.80	28.20	26.00	23.40	19.80	135
140				48.00	48.00	39.60	40.20	33.20	33.80	28.20	25.60	23.40	19.60	140
145					48.00	39.60	40.20	33.20	33.80	28.20	25.40	23.40	19.20	145
150					48.00	39.60	40.20	33.20	33.80	28.20	25.00	23.20	19.00	150
155					46.00	39.60	40.20	33.20	33.80	28.20	24.80	22.80	18.60	155
160					43.80	39.60	40.20	33.20	33.80	28.20	24.60	22.40	18.40	160
165						39.60	40.20	33.20	33.80	28.20	24.20	22.00	18.00	165
170						39.60	39.80	33.20	33.80	28.00	24.00	21.60	17.80	170
175						38.20	38.20	33.20	33.80	27.40	23.80	21.20	17.60	175
180						36.00		33.20	33.80	26.80	23.60	20.80	17.40	180
185								33.20	33.80	26.40	23.60	20.40	17.20	185
190								33.20	33.80	26.00	23.40	20.00	17.00	190
195								32.60	32.80	25.60	23.20	19.60	16.80	195
200								29.60		25.20	23.20	19.20	16.60	200
205										24.80	23.00	18.80	16.40	205
210										24.40	23.00	18.40	16.40	210
215										24.00	23.00	18.00	16.20	215
220										23.60		17.60	16.20	220
225												17.40	16.00	225
230												17.00	16.00	230
235												16.80	16.00	235
240												16.40		240

THIS CHART IS ONLY A GUIDE AND SHOULD NOT BE USED TO OPERATE THE CRANE.

Grove GMK6400 The individual crane's load chart, operating instructions and other instructional plates must be read and understood prior to operating the crane.

Load chart

Luffing jib



34,99 m
(114.8 ft)
80°



25 m - 73 m
(82.0 ft - 239.5 ft)



135 000 kg
(297,600 lb)



8,7 m x 8,5 m
(28.5 ft x 27.9 ft)
(100%)



360°



Pounds x 1000

Feet	82.0 0°	101.7 0°	121.4 0°	141.1 0°	160.8 0°	180.5 0°	180.5 22°	200.1 0°	200.1 22°	219.8 0°	219.8 22°	239.5 0°	239.5 22°	Feet
60	70.00	59.00												70
65	70.00	58.00												75
70	70.00	58.00	48.00											70
75	70.00	58.00	48.00	39.40										75
80	70.00	58.00	48.00	39.40	33.00									80
85	70.00	58.00	48.00	39.40	33.00									85
90	70.00	58.00	48.00	39.40	33.00	26.20								90
95	70.00	58.00	48.00	39.40	33.00	26.20	26.80	21.80						95
100		58.00	48.00	39.40	33.00	26.20	26.80	21.80		18.20				100
105		58.00	48.00	39.40	33.00	26.20	26.80	21.80	22.40	18.20		15.00		105
110		58.00	48.00	39.40	33.00	26.20	26.80	21.80	22.40	18.20		15.00		110
115		58.00	48.00	39.40	33.00	26.20	26.80	21.80	22.40	18.20		15.00		115
120			48.00	39.40	33.00	26.20	26.80	21.80	22.40	18.20	18.80	15.00		120
125			48.00	39.40	33.00	26.20	26.80	21.80	22.40	18.20	18.80	15.00		125
130			48.00	39.40	33.00	26.20	26.80	21.80	22.40	18.20	18.80	15.00		130
135			48.00	39.40	33.00	26.20	26.80	21.80	22.40	18.20	18.80	15.00	15.40	135
140				39.40	33.00	26.20	26.80	21.80	22.40	18.20	18.80	15.00	15.40	140
145				39.40	33.00	26.20	26.80	21.80	22.40	18.20	18.80	15.00	15.40	145
150				39.40	33.00	26.20	26.80	21.80	22.40	18.20	18.80	15.00	15.40	150
155					33.00	26.20	26.80	21.80	22.40	18.20	18.80	15.00	15.40	155
160					33.00	26.20	26.80	21.80	22.40	18.20	18.80	15.00	15.40	160
165					33.00	26.20	26.80	21.80	22.40	18.20	18.80	15.00	15.40	165
170					33.00	26.20	26.80	21.80	22.40	18.20	18.80	15.00	15.40	170
175						26.20	26.80	21.80	22.40	18.20	18.80	15.00	15.40	175
180						26.20	26.80	21.80	22.40	18.20	18.80	15.00	15.40	180
185						26.20		21.80	22.40	18.20	18.80	15.00	15.40	185
190						26.20		21.80	22.40	18.20	18.80	15.00	15.40	190
195								21.80	22.40	18.20	18.80	15.00	15.40	195
200								21.80	22.40	18.20	18.80	15.00	15.40	200
205								21.80		18.20	18.80	15.00	15.40	205
210										18.20	18.80	15.00	15.40	210
215										18.20	18.80	15.00	15.40	215
220										18.20	18.80	15.00	15.40	220
225												15.00	15.40	225
230												15.00	15.40	230
235												15.00	15.40	235
240												15.00	15.40	240
245												15.00		245

Load chart

Luffing jib



44,79 m
(147.0 ft)
80°



25 m - 73 m
(82.0 ft - 239.5 ft)



135 000 kg
(297,600 lb)



8,7 m x 8,5 m
(28.5 ft x 27.9 ft)
(100%)



360°



Pounds x 1000

Feet	82.0 0°	101.7 0°	121.4 0°	141.1 0°	160.8 0°	180.5 0°	180.5 22°	200.1 0°	200.1 22°	219.8 0°	219.8 22°	239.5 0°	239.5 22°	Feet
60	52.00													60
65	52.00													65
70	52.00	42.60												70
75	51.00	42.60	34.80											75
80	50.00	42.60	34.80	28.40										80
85	49.00	42.60	34.80	28.40										85
90	48.00	42.60	34.80	28.40	23.00									90
95	47.00	42.40	34.80	28.40	23.00	18.40								95
100	45.00	41.40	34.80	28.40	23.00	18.40	18.80							100
105		40.20	34.80	28.40	23.00	18.40	18.80	15.20		12.40				105
110		39.20	34.80	28.40	23.00	18.40	18.80	15.20		12.40				110
115		38.00	34.80	28.40	23.00	18.40	18.80	15.20	15.60	12.40		9.60		115
120		37.00	34.00	28.40	23.00	18.40	18.80	15.20	15.60	12.40		9.60		120
125			33.20	28.40	23.00	18.40	18.80	15.20	15.60	12.40	12.80	9.60		125
130			32.40	28.40	23.00	18.40	18.80	15.20	15.60	12.40	12.80	9.60		130
135			31.40	28.00	23.00	18.40	18.80	15.20	15.60	12.40	12.80	9.60		135
140			30.80	27.40	23.00	18.40	18.80	15.20	15.60	12.40	12.80	9.60	10.20	140
145				26.60	23.00	18.40	18.80	15.20	15.60	12.40	12.80	9.60	10.20	145
150				26.00	23.00	18.40	18.80	15.20	15.60	12.40	12.80	9.60	10.20	150
155				25.40	23.00	18.40	18.80	15.20	15.60	12.40	12.80	9.60	10.20	155
160				24.80	22.80	18.40	18.80	15.20	15.60	12.40	12.80	9.60	10.20	160
165					22.40	18.40	18.80	15.20	15.60	12.40	12.80	9.60	10.20	165
170					21.80	18.40	18.80	15.20	15.60	12.40	12.80	9.60	10.20	170
175					21.40	18.40	18.80	15.20	15.60	12.40	12.80	9.60	10.20	175
180						18.40	18.80	15.20	15.60	12.40	12.80	9.60	10.20	180
185						18.20	18.40	15.20	15.60	12.40	12.80	9.60	10.20	185
190						17.80	18.00	15.20	15.60	12.40	12.80	9.60	10.20	190
195						17.40		15.20	15.60	12.40	12.80	9.60	10.20	195
200								15.20	15.60	12.40	12.80	9.60	10.20	200
205								15.20	15.60	12.40	12.80	9.60	10.20	205
210								15.00		12.40	12.80	9.60	10.20	210
215								14.60		12.40	12.80	9.60	10.20	215
220										12.40	12.80	9.60	10.20	220
225										12.40	12.80	9.60	10.20	225
230										12.40		9.60	10.20	230
235										12.40		9.60	10.20	235
240												9.60	10.20	240
245												9.60	10.20	245
250												9.60		250
255												9.60		255

THIS CHART IS ONLY A GUIDE AND SHOULD NOT BE USED TO OPERATE THE CRANE.

Grove GMK6400 The individual crane's load chart, operating instructions and other instructional plates must be read and understood prior to operating the crane.

Load chart

Luffing jib



54,59 m
(179.1 ft)
80°



25 m - 61 m
(82.0 ft - 200.1 ft)



135 000 kg
(297,600 lb)



8,7 m x 8,5 m
(28.5 ft x 27.9 ft)
(100%)



360°



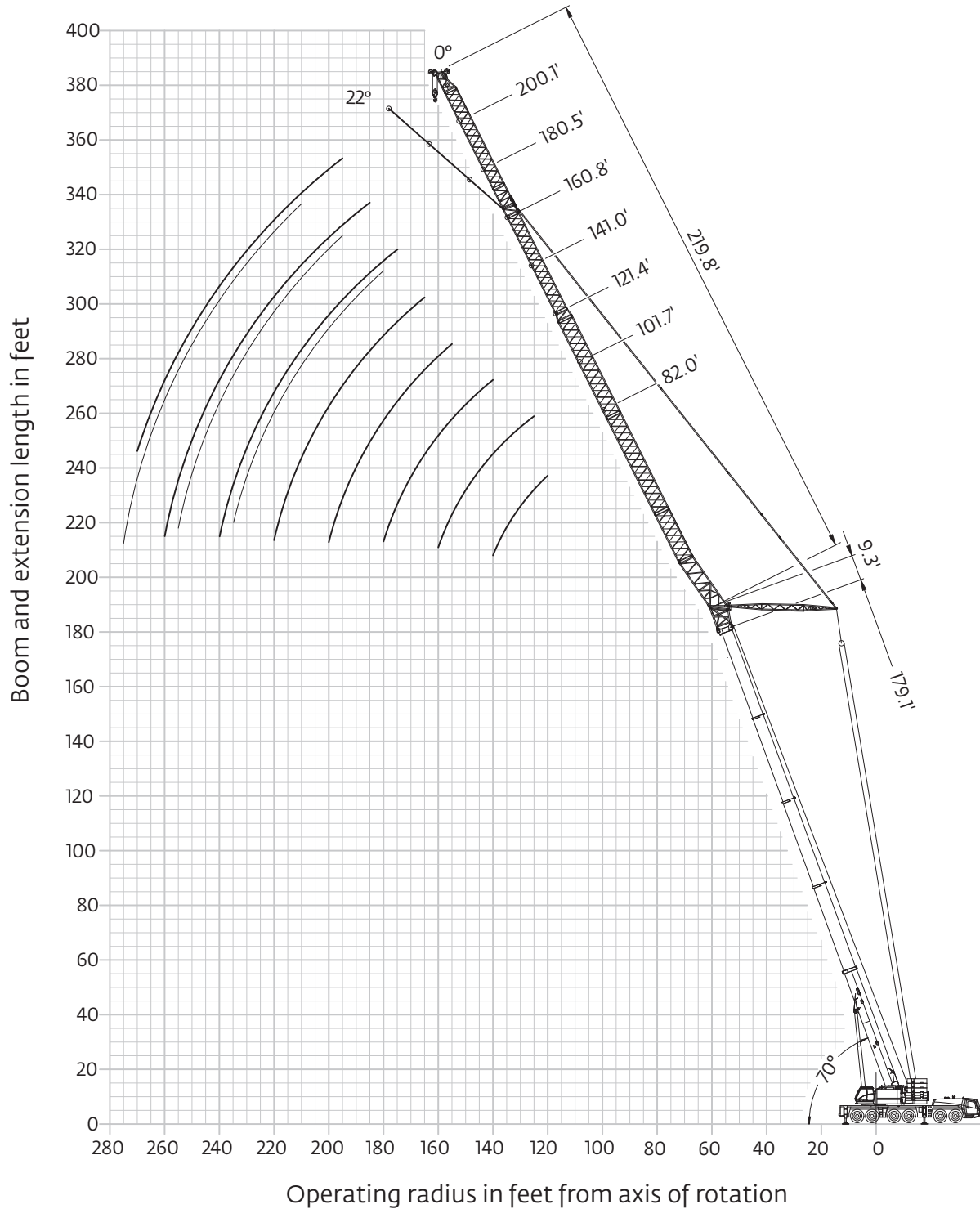
Pounds x 1000

Feet	82.0 0°	101.7 0°	121.4 0°	141.1 0°	160.8 0°	180.5 0°	180.5 22°	200.1 0°	200.1 22°	219.8 0°	219.8 22°	Feet
75	33.00											75
80	33.00	26.40										80
85	33.00	26.40										85
90	33.00	26.40	21.20									90
95	33.00	26.40	21.20	16.60								95
100	33.00	26.40	21.20	16.60	13.20							100
105	32.80	26.40	21.20	16.60	13.20	9.80	10.20	7.40				105
110	31.60	26.40	21.20	16.60	13.20	9.80	10.20	7.40				110
115	30.20	26.20	21.20	16.60	13.20	9.80	10.20	7.40				115
120		25.60	21.20	16.60	13.20	9.80	10.20	7.40		5.40		120
125		25.00	21.20	16.60	13.20	9.80	10.20	7.40	7.80	5.40		125
130		24.40	21.20	16.60	13.20	9.80	10.20	7.40	7.80	5.40		130
135			21.20	16.60	13.20	9.80	10.20	7.40	7.80	5.40		135
140			20.80	16.60	13.20	9.80	10.20	7.40	7.80	5.40	6.00	140
145			20.40	16.60	13.20	9.80	10.20	7.40	7.80	5.40	6.00	145
150			20.00	16.60	13.20	9.80	10.20	7.40	7.80	5.40	6.00	150
155				16.60	13.20	9.80	10.20	7.40	7.80	5.40	6.00	155
160				16.60	13.20	9.80	10.20	7.40	7.80	5.40	6.00	160
165				16.40	13.20	9.80	10.20	7.40	7.80	5.40	6.00	165
170				16.00	13.20	9.80	10.20	7.40	7.80	5.40	6.00	170
175					13.20	9.80	10.20	7.40	7.80	5.40	6.00	175
180					13.20	9.80	10.20	7.40	7.80	5.40	6.00	180
185					13.20	9.80	10.20	7.40	7.80	5.40	6.00	185
190					13.00	9.80	10.20	7.40	7.80	5.40	6.00	190
195						9.80	10.20	7.40	7.80	5.40	6.00	195
200						9.80	10.20	7.40	7.80	5.40	6.00	200
205							9.80	7.40	7.80	5.40	6.00	205
210								7.40	7.80	5.40	6.00	210
215								7.40	7.80	5.40	6.00	215
220								7.40	7.80	5.40	6.00	220
225								7.40		5.40	6.00	225
230										5.40	6.00	230
235										5.40	6.00	235
240										5.40	6.00	240
245										5.40		245

Working range

Luffing jib

Main boom and luffing jib - 70°



Hook heights shown in the working diagram do not consider loaded boom deflection.

THIS CHART IS ONLY A GUIDE AND SHOULD NOT BE USED TO OPERATE THE CRANE.

Grove GMK6400 The individual crane's load chart, operating instructions and other instructional plates must be read and understood prior to operating the crane.

Load chart

Luffing jib



54,59 m
(179.1 ft)
70°



25 m - 67 m
(82.0 ft - 219,8 ft)



135 000 kg
(297,600 lb)



8,7 m x 8,5 m
(28.5 ft x 27.9 ft)
(100%)



360°



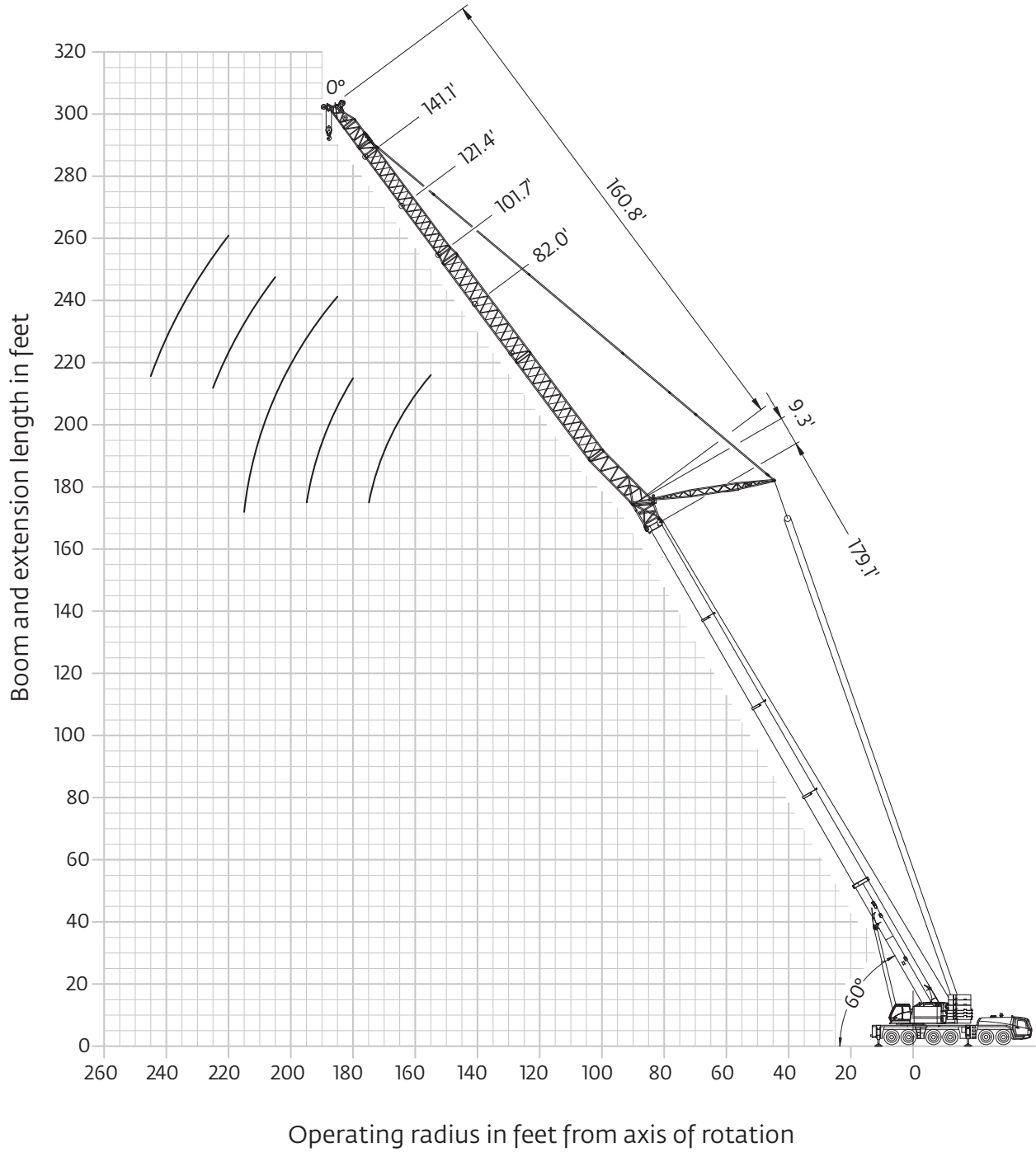
Pounds x 1000

Feet	82.0 0°	101.7 0°	121.4 0°	141.1 0°	160.8 0°	180.5 0°	180.5 22°	200.1 0°	200.1 22°	219.8 0°	219.8 22°	Feet
120	25.80											120
125	25.00	21.80										125
130	24.00	21.80										130
135	23.20	21.20										135
140	22.60	20.60	18.80									140
145		20.00	18.20									145
150		19.20	17.60									150
155		18.60	17.20	15.20								155
160		18.00	16.60	14.80								160
165			16.00	14.20	12.80							165
170			15.60	13.80	12.40							170
175			15.20	13.40	12.00	10.20						175
180			14.60	13.00	11.80	9.80	10.00					180
185				12.60	11.40	9.60	9.80	8.20				185
190				12.20	11.00	9.40	9.40	8.00				190
195				11.80	10.60	9.00	9.20	7.80	8.00	6.00		195
200				11.40	10.40	8.80	8.80	7.60	7.80	6.00		200
205					10.00	8.40	8.60	7.20	7.60	6.00		205
210					9.60	8.20	8.20	7.00	7.40	6.00	6.40	210
215					9.40	7.80	8.00	6.80	7.00	5.80	6.20	215
220					9.00	7.60	7.60	6.60	6.80	5.60	6.00	220
225						7.20	7.40	6.20	6.60	5.40	5.80	225
230						7.00	7.20	6.00	6.20	5.20	5.60	230
235						6.80	6.80	5.80	6.00	5.00	5.40	235
240						6.40		5.60	5.80	4.80	5.20	240
245								5.40	5.60	4.60	5.00	245
250								5.20	5.40	4.40	4.80	250
255								4.80	5.20	4.20	4.40	255
260								4.60		4.00	4.20	260
265										3.80	4.00	265
270										3.60	3.80	270
275											3.60	275

Working range

Luffing jib

Main boom and luffing jib - 60°



Hook heights shown in the working diagram do not consider loaded boom deflection.

THIS CHART IS ONLY A GUIDE AND SHOULD NOT BE USED TO OPERATE THE CRANE.

Grove GMK6400 *The individual crane's load chart, operating instructions and other instructional plates must be read and understood prior to operating the crane.*

Load chart

Luffing jib



44,79 m
(147.0 ft)
60°



25 m - 73 m
(82.0 ft - 239.5 ft)



135 000 kg
(297,600 lb)



8,7 m x 8,5 m
(28.5 ft x 27.9 ft)
(100%)



360°



Pounds x 1000

Feet	82.0 0°	101.7 0°	121.4 0°	141.1 0°	160.8 0°	180.5 0°	200.1 22°	219.9 0°	239.5 22°	Feet				
140	26.00									140				
145	25.00									145				
150	24.20									150				
155	23.40	22.00								155				
160		21.20								160				
165		20.40	19.40							165				
170		19.80	18.60							170				
175		19.00	18.00							175				
180			17.40	16.00						180				
185			16.80	15.40						185				
190			16.40	15.00						190				
195			15.80	14.40	13.40					195				
200				14.00	13.00					200				
205				13.40	12.60	11.20				205				
210					12.20	10.80	10.80			210				
215					11.80	10.40	10.40			215				
220					11.40	10.00	10.00	9.00		220				
225					11.00	9.60	9.80	9.00		225				
230						9.20	9.40	8.40	8.60	7.80	230			
235						9.00	9.00	8.00	8.40	7.40	235			
240						8.60	8.60	7.80	8.00	7.20	240			
245						8.20		7.40	7.60	6.80	7.20	6.00	245	
250								7.20	7.40	6.60	7.00	5.60	250	
255								6.80	7.00	6.20	6.60	5.40	255	
260								6.60	6.80	6.00	6.40	5.20	260	
265								6.40		5.80	6.00	5.00	5.40	265
270										5.60	5.80	4.60	5.20	270
275										5.20	5.40	4.40	4.80	275
280										5.00	5.20	4.20	4.60	280
285										4.80		4.00	4.40	285
290												3.80	4.00	290
295												3.60	3.80	295
300												3.60		300



54,59 m
(179.1 ft)
60°



25 m - 49 m
(82.0 ft - 160.8 ft)



135 000 kg
(297,600 lb)



8,7 m x 8,5 m
(28.5 ft x 27.9 ft)
(100%)



360°



Pounds x 1000

Feet	82.0 0°	101.7 0°	121.4 0°	141.1 0°	160.8 0°	Feet
155	15.60					155
160	15.40					160
165	14.80					165
170	14.20					170
175	13.80					175
180		11.80				180
185		11.40	10.20			185
190		11.00	9.80			190
195		10.60	9.40			195
200			9.20			200
205			8.80	7.40		205
210			8.40	7.00		210
215			8.00	6.80		215
220				6.40	5.60	220
225				6.20	5.20	225
230					5.00	230
235					4.80	235
240					4.40	240
245					4.20	245

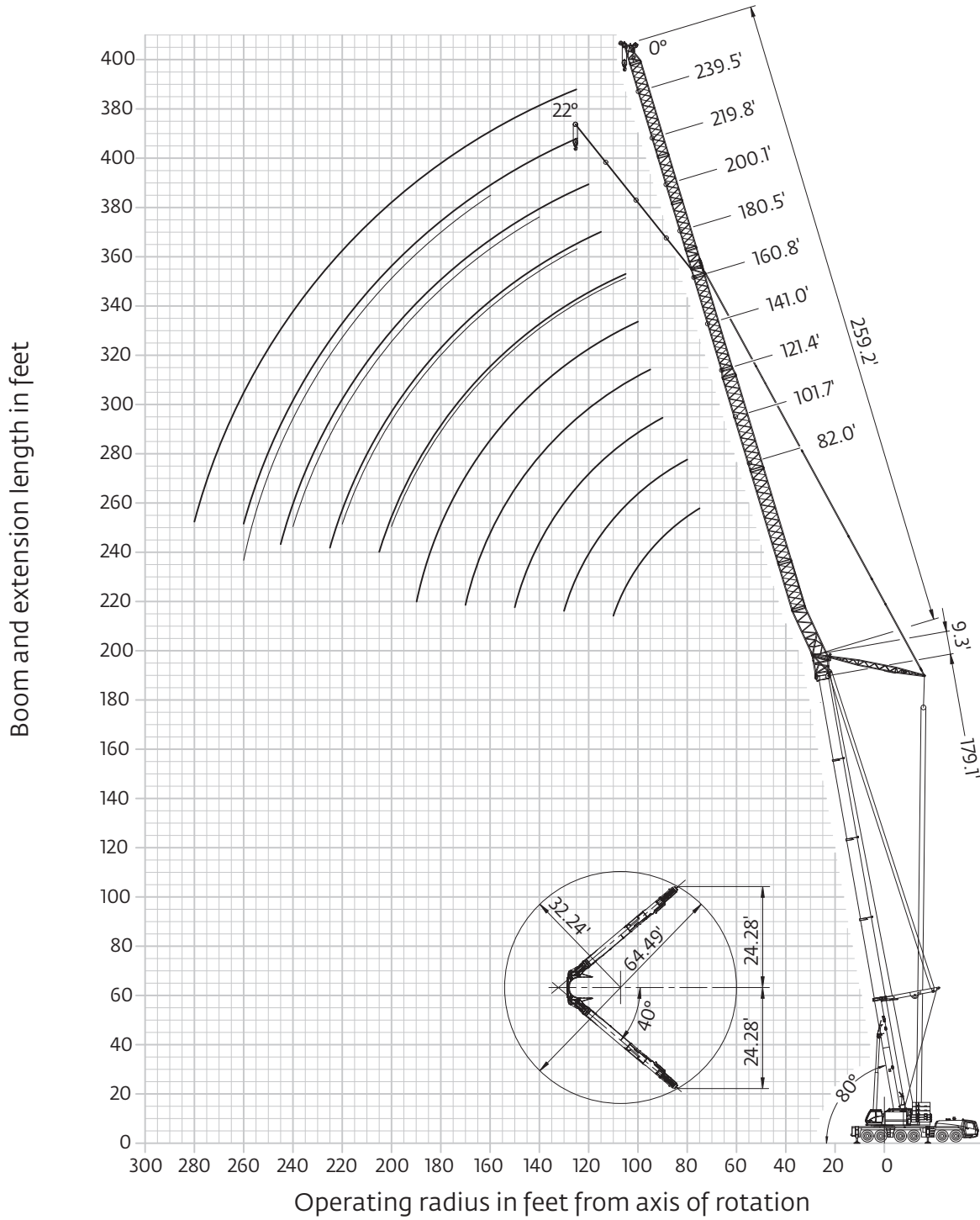
THIS CHART IS ONLY A GUIDE AND SHOULD NOT BE USED TO OPERATE THE CRANE.

The individual crane's load chart, operating instructions and other instructional plates must be read and understood prior to operating the crane.

Working range

Luffing jib with MegaWingLift™

Main boom, luffing jib and MegaWingLift™ - 80°



THIS CHART IS ONLY A GUIDE AND SHOULD NOT BE USED TO OPERATE THE CRANE.

Grove GMK6400 The individual crane's load chart, operating instructions and other instructional plates must be read and understood prior to operating the crane.

Load chart

Luffing jib with MegaWingLift™



34,99 m
(114.8 ft)
80°



25 m - 79 m
(82.0 ft - 259.2 ft)



135 000 kg
(297,600 lb)



8,7 m x 8,5 m
(28.5 ft x 27.9 ft)
(100%)



360°



Pounds x 1000

Feet	82.0 0°	101.7 0°	121.4 0°	141.1 0°	160.8 0°	180.5 0°	180.5 22°	200.1 0°	200.1 22°	219.8 0°	219.8 22°	239.5 0°	239.5 22°	259.2 0°	Feet
55	126.00														55
60	117.00	106.00													60
65	109.00	106.00													65
70	103.00	101.00	84.00												70
75	97.00	95.00	84.00	68.00											75
80	91.00	89.00	84.00	68.00	56.00										80
85	87.00	85.00	83.00	68.00	56.00										85
90	83.00	80.00	78.00	68.00	56.00	44.00									90
95	81.00	76.00	74.00	68.00	56.00	44.00	46.00	36.80							95
100		73.00	71.00	68.00	56.00	44.00	46.00	36.80		30.60					100
105		70.00	68.00	66.00	56.00	44.00	46.00	36.80	38.40	30.60		25.20			105
110		68.00	65.00	63.00	56.00	44.00	46.00	36.80	38.40	30.60		25.20			110
115		66.00	62.00	61.00	56.00	44.00	46.00	36.80	38.40	30.60		25.20		19.80	115
120			60.00	58.00	56.00	44.00	46.00	36.80	38.40	30.60	29.00	25.20		19.80	120
125			58.00	56.00	54.00	44.00	46.00	36.80	38.40	30.60	28.40	25.20		19.80	125
130			56.00	54.00	52.00	44.00	46.00	36.80	38.40	30.60	27.80	25.20		19.80	130
135			54.00	52.00	50.00	44.00	46.00	36.80	38.40	30.60	27.20	25.20	20.80	19.80	135
140				50.00	48.00	44.00	46.00	36.80	38.20	30.60	26.80	25.20	20.40	19.80	140
145				48.00	46.00	44.00	45.00	36.80	37.80	30.60	26.40	25.20	20.00	19.80	145
150				47.00	45.00	43.40	43.40	36.80	37.60	30.60	26.00	25.00	19.60	19.80	150
155					43.40	41.80	41.80	36.80	37.40	30.60	25.60	24.40	19.40	19.80	155
160					42.20	40.40	40.20	36.80	37.20	30.60	25.40	23.80	19.00	19.40	160
165					41.00	39.00	39.00	36.80	37.20	30.60	25.00	23.40	18.60	18.80	165
170					40.00	37.80	37.80	36.80	36.60	30.20	24.80	22.80	18.40	18.40	170
175						36.80	36.60	35.60	35.40	29.40	24.40	22.40	18.00	18.00	175
180						35.60	35.60	34.40	34.20	28.60	24.20	21.80	17.80	17.60	180
185						34.80		33.40	33.20	28.00	24.00	21.40	17.60	17.20	185
190						33.80		32.40	32.20	27.20	23.80	20.80	17.40	16.60	190
195								31.40	31.20	26.80	23.60	20.40	17.20	16.20	195
200								30.60	30.40	26.20	23.40	20.00	17.00	15.80	200
205								30.00		25.80	23.40	19.40	16.80	15.60	205
210										25.20	23.20	19.00	16.60	15.20	210
215										24.80	23.20	18.60	16.40	14.80	215
220										24.40	23.20	18.20	16.40	14.40	220
225										24.00		18.00	16.20	14.20	225
230												17.60	16.20	13.80	230
235												17.20	16.20	13.60	235
240												17.00	16.20	13.20	240
245												16.60		13.00	245
250														12.60	250
255														12.40	255
260														12.20	260
265														12.00	265


THIS CHART IS ONLY A GUIDE AND SHOULD NOT BE USED TO OPERATE THE CRANE.

The individual crane's load chart, operating instructions and other instructional plates must be read and understood prior to operating the crane.


Load chart

Luffing jib with MegaWingLift™


39,89 m
(130.9 ft)
80°


25 m - 79 m
(82.0 ft - 259.2 ft)


135 000 kg
(297,600 lb)


8,7 m x 8,5 m
(28.5 ft x 27.9 ft)
(100%)


360°



Pounds x 1000

Feet	82.0 0°	101.7 0°	121.4 0°	141.1 0°	160.8 0°	180.5 0° 22°	200.1 0° 22°	219.8 0° 22°	239.5 0° 22°	259.2 0°	Feet				
60	112.00										60				
65	104.00										65				
70	98.00	96.00									70				
75	92.00	90.00	82.00								75				
80	87.00	85.00	82.00	67.00							80				
85	83.00	81.00	80.00	67.00							85				
90	79.00	77.00	75.00	67.00	55.00						90				
95	76.00	73.00	72.00	67.00	55.00	44.00					95				
100		70.00	68.00	66.00	55.00	44.00	46.00	36.60			100				
105		67.00	65.00	63.00	55.00	44.00	46.00	36.60	30.60	25.20	105				
110		64.00	62.00	60.00	55.00	44.00	46.00	36.60	30.60	25.20	110				
115		62.00	59.00	58.00	55.00	44.00	46.00	36.60	38.20	30.60	25.20	115			
120			57.00	55.00	54.00	44.00	46.00	36.60	38.20	30.60	25.20	20.20	120		
125			55.00	53.00	52.00	44.00	46.00	36.60	38.20	30.60	28.60	25.20	20.20	125	
130			53.00	51.00	50.00	44.00	46.00	36.60	38.20	30.60	28.00	25.20	20.20	130	
135			52.00	49.00	48.00	44.00	46.00	36.60	38.20	30.60	27.40	25.20	20.20	135	
140				47.00	46.00	44.00	44.00	36.60	37.80	30.60	27.00	25.20	20.60	20.20	140
145				46.00	44.00	42.80	42.60	36.60	37.60	30.60	26.60	25.20	20.20	20.20	145
150				44.00	42.40	41.20	41.00	36.60	37.40	30.60	26.20	25.00	19.80	20.20	150
155				43.40	41.00	39.60	39.60	36.60	37.20	30.60	25.80	24.40	19.40	20.00	155
160					39.80	38.20	38.20	36.60	37.00	30.60	25.60	23.80	18.80	19.60	160
165					38.60	36.80	36.80	36.00	35.80	30.60	25.20	23.40	18.60	19.20	165
170					37.60	35.60	35.60	34.60	34.60	30.40	25.00	22.80	18.20	18.60	170
175					36.80	34.60	34.40	33.40	33.40	29.80	24.60	22.40	18.00	18.20	175
180						33.60	33.40	32.40	32.20	29.00	24.40	21.80	17.80	17.80	180
185						32.60	32.60	31.40	31.20	28.40	24.00	21.40	17.60	17.40	185
190						31.80	31.80	30.40	30.20	27.60	24.00	20.80	17.20	17.00	190
195						31.20		29.60	29.40	27.00	23.80	20.40	17.00	16.40	195
200								28.60	28.40	26.60	23.60	20.00	16.80	16.00	200
205								28.00	27.80	26.00	23.40	19.40	16.80	15.80	205
210								27.40		25.60	23.40	19.00	16.60	15.40	210
215								27.00		25.20	23.20	18.60	16.40	15.00	215
220										24.80	23.20	18.20	16.40	14.60	220
225										24.20	23.20	18.00	16.20	14.40	225
230										22.00		17.60	16.20	14.00	230
235										21.60		17.20	16.20	13.80	235
240												17.00	16.20	13.40	240
245												16.60	16.20	13.20	245
250												16.20		12.80	250
255														12.60	255
260														12.40	260
265														12.20	265

THIS CHART IS ONLY A GUIDE AND SHOULD NOT BE USED TO OPERATE THE CRANE.

Grove GMK6400 The individual crane's load chart, operating instructions and other instructional plates must be read and understood prior to operating the crane.

Load chart

Luffing jib with MegaWingLift™



44,79 m
(147.0 ft)
80°



25 m - 79 m
(82.0 ft - 259.2 ft)



135,000 kg
(297,600 lb)



8,7 m x 8,5 m
(28.5 ft x 27.9 ft)
(100%)



360°



Pounds x 1000

Feet	82.0 0°	101.7 0°	121.4 0°	141.1 0°	160.8 0°	180.5 0° 22°	200.1 0° 22°	219.8 0° 22°	239.5 0° 22°	259.2 0°	Feet				
60	107.00										60				
65	100.00										65				
70	94.00	92.00									70				
75	88.00	87.00	79.00								75				
80	83.00	82.00	79.00	64.00							80				
85	79.00	77.00	76.00	64.00							85				
90	75.00	73.00	72.00	64.00	53.00						90				
95	72.00	70.00	69.00	64.00	53.00	43.60					95				
100	69.00	66.00	65.00	64.00	53.00	43.60	43.80	36.60			100				
105		63.00	62.00	61.00	53.00	43.60	43.80	36.60	30.40		105				
110		61.00	59.00	58.00	53.00	43.60	43.80	36.60	30.40		110				
115		59.00	57.00	55.00	53.00	43.60	43.80	36.60	37.00	30.40	25.00	115			
120		57.00	54.00	53.00	52.00	43.60	43.80	36.60	37.00	30.40	25.00	20.60	120		
125			52.00	50.00	50.00	43.60	43.80	36.60	37.00	30.40	29.00	25.00	20.60	125	
130			49.00	48.00	48.00	43.60	43.80	36.60	37.00	30.40	28.40	25.00	20.60	130	
135			48.00	47.00	46.00	43.60	43.80	36.60	37.00	30.40	27.80	25.00	20.60	135	
140				45.00	44.00	42.40	42.40	36.60	37.00	30.40	27.20	25.00	20.80	20.60	140
145				43.40	42.40	40.80	40.60	36.60	37.00	30.40	26.60	25.00	20.40	20.60	145
150				42.00	40.80	39.20	39.00	36.60	37.00	30.40	26.40	25.00	20.00	20.60	150
155				40.80	39.40	37.60	37.60	36.60	36.60	30.40	26.00	24.80	19.60	20.40	155
160				39.80	38.20	36.20	36.20	35.40	35.20	30.40	25.60	24.20	19.40	19.80	160
165					37.00	35.00	35.00	34.20	34.00	30.40	25.40	23.80	19.00	19.40	165
170					35.80	33.80	33.80	32.80	32.80	30.40	25.00	23.20	18.80	19.00	170
175					35.00	32.60	32.60	31.80	31.60	30.00	24.80	22.80	18.40	18.40	175
180						31.60	31.60	30.60	30.40	29.40	24.40	22.40	18.20	18.00	180
185						30.80	30.60	29.60	29.40	28.80	24.20	21.80	18.00	17.60	185
190						29.80	29.80	28.60	28.40	27.80	24.00	21.40	17.60	17.20	190
195						29.20		27.80	27.60	27.00	23.80	21.00	17.40	16.80	195
200								27.00	26.80	26.00	23.60	20.40	17.20	16.40	200
205								26.20	26.00	25.20	23.40	20.00	17.00	16.00	205
210								25.60		24.40	23.40	19.60	16.80	15.60	210
215								25.00		23.80	23.20	19.20	16.60	15.20	215
220										23.20	23.00	18.80	16.60	14.80	220
225										22.60	22.40	18.40	16.40	14.60	225
230										20.60		18.00	16.20	14.20	230
235										20.00		17.80	16.20	13.80	235
240										19.60		17.40	16.20	13.60	240
245												17.20	16.20	13.40	245
250												16.80		13.00	250
255												16.60		12.80	255
260														12.60	260
265														12.20	265
270														12.00	270
275														11.80	275

THIS CHART IS ONLY A GUIDE AND SHOULD NOT BE USED TO OPERATE THE CRANE.

The individual crane's load chart, operating instructions and other instructional plates must be read and understood prior to operating the crane.

Load chart

Luffing jib with MegaWingLift™



49,69 m
(163.0 ft)
80°



25 m - 79 m
(82.0 ft - 259.2 ft)



135,000 kg
(297,600 lb)



8,7 m x 8,5 m
(28.5 ft x 27.9 ft)
(100%)



360°



Pounds x 1000

Feet	82.0 0°	101.7 0°	121.4 0°	141.1 0°	160.8 0°	180.5 0° 22°	200.1 0° 22°	219.8 0° 22°	239.5 0° 22°	259.2 0°	Feet				
70	89.00										70				
75	84.00	83.00									75				
80	79.00	79.00	74.00								80				
85	75.00	74.00	73.00								85				
90	71.00	70.00	69.00	61.00							90				
95	68.00	67.00	66.00	61.00	50.00						95				
100	65.00	64.00	63.00	61.00	50.00	41.40					100				
105	62.00	61.00	60.00	58.00	50.00	41.40	42.00	35.00			105				
110	61.00	58.00	57.00	55.00	50.00	41.40	42.00	35.00			110				
115		56.00	54.00	53.00	50.00	41.40	42.00	35.00	29.80		115				
120		54.00	52.00	50.00	50.00	41.40	42.00	35.00	35.20	29.80	24.60	20.80	120		
125			50.00	48.00	48.00	41.40	42.00	35.00	35.20	29.80	24.60	20.80	125		
130			48.00	46.00	46.00	41.40	42.00	35.00	35.20	29.80	24.60	20.80	130		
135			46.00	45.00	43.80	41.40	42.00	35.00	35.20	29.80	28.00	24.60	20.80	135	
140			45.00	42.80	42.00	40.60	40.60	35.00	35.20	29.80	27.40	24.60	20.80	140	
145				41.20	40.40	39.00	38.80	35.00	35.20	29.80	26.80	24.60	20.60	20.80	145
150				39.80	39.00	37.40	37.40	35.00	35.20	29.80	26.40	24.60	20.20	20.80	150
155				38.60	37.60	36.00	35.80	35.00	35.00	29.80	26.00	24.60	19.80	20.40	155
160				37.60	36.20	34.60	34.60	33.80	33.60	29.80	25.80	24.20	19.60	20.00	160
165					35.00	33.40	33.20	32.40	32.40	29.80	25.40	23.80	19.20	19.60	165
170					34.00	32.20	32.00	31.20	31.20	29.80	25.20	23.40	19.00	19.00	170
175					33.00	31.00	31.00	30.20	30.00	29.40	24.80	23.00	18.60	18.60	175
180					32.20	30.00	29.00	29.00	29.00	28.40	24.60	22.60	18.40	18.20	180
185						30.00	28.20	28.00	28.00	27.40	24.40	22.00	18.00	17.80	185
190						29.00	27.40	27.20	27.00	26.40	24.20	21.60	17.80	17.40	190
195						28.20		26.20	26.00	25.40	23.80	21.20	17.60	17.00	195
200						27.40		25.40	25.20	24.60	23.80	20.80	17.40	16.60	200
205						26.80		24.60	24.60	23.80	23.60	20.40	17.20	16.20	205
210								24.00	23.80	23.00	23.00	20.00	17.00	15.80	210
215								23.40	23.20	22.40	22.20	19.40	16.80	15.40	215
220								22.80		21.60	21.60	19.00	16.60	15.20	220
225										21.00	21.00	18.80	16.40	14.80	225
230										20.60	20.40	18.40	16.40	14.40	230
235										20.00	19.80	18.00	16.20	14.20	235
240										19.60		17.60	16.20	13.80	240
245												17.40	16.00	13.60	245
250												17.00	16.00	13.20	250
255												16.80	16.00	13.00	255
260												16.40		12.80	260
265														12.40	265
270														12.20	270
275														12.00	275

THIS CHART IS ONLY A GUIDE AND SHOULD NOT BE USED TO OPERATE THE CRANE.

Grove GMK6400 The individual crane's load chart, operating instructions and other instructional plates must be read and understood prior to operating the crane.

Load chart

Luffing jib with MegaWingLift™



54,59 m
(179.1 ft)
80°



25 m - 79 m
(82.0 ft - 259.2 ft)



135 000 kg
(297,600 lb)



8,7 m x 8,5 m
(28.5 ft x 27.9 ft)
(100%)



360°



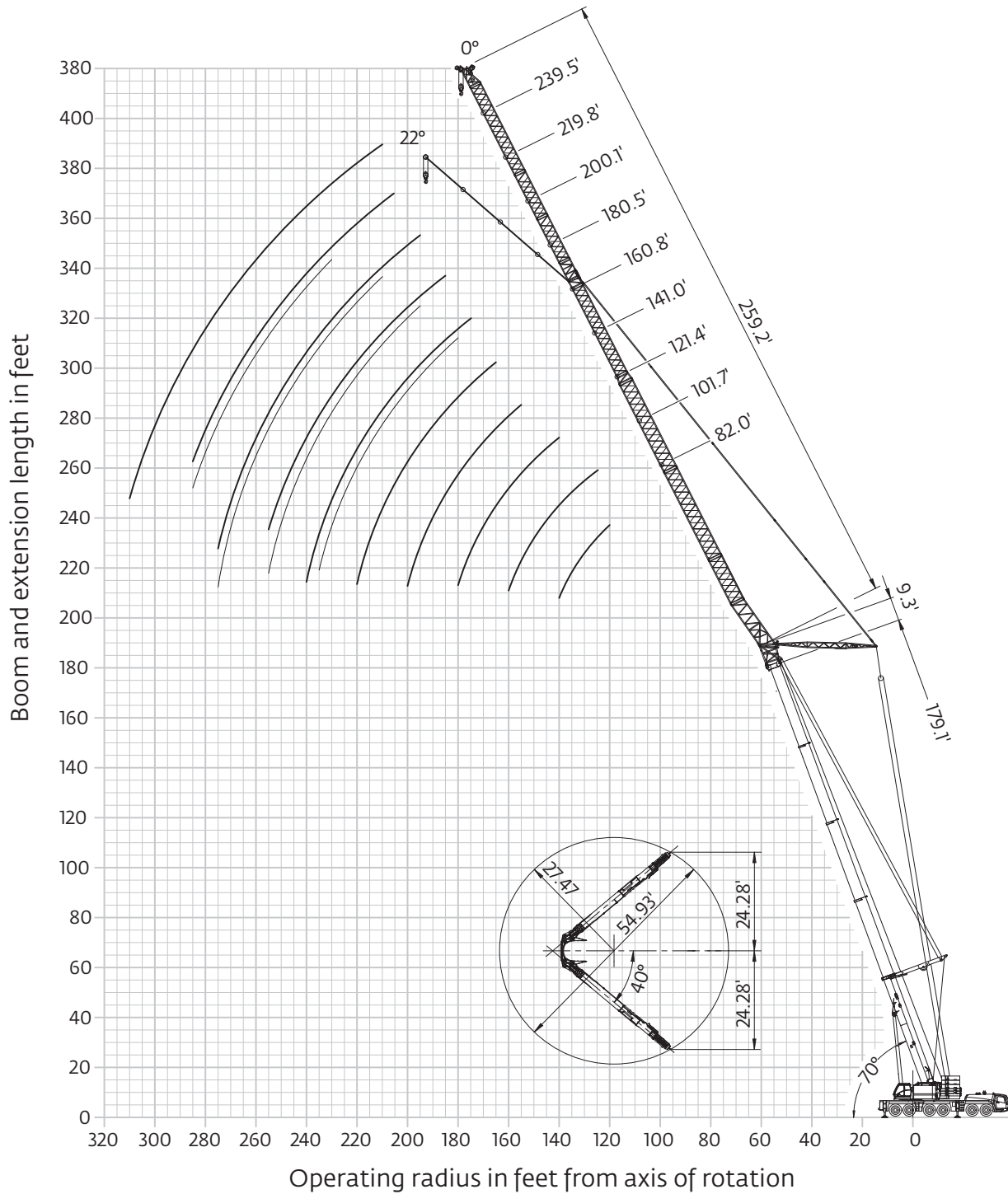
Pounds x 1000

Feet	82.0 0°	101.7 0°	121.4 0°	141.1 0°	160.8 0°	180.5 0°	180.5 22°	200.1 0°	200.1 22°	219.8 0°	219.8 22°	239.5 0°	239.5 22°	259.2 0°	Feet
75	81.00														75
80	76.00	75.00													80
85	72.00	71.00													85
90	68.00	67.00	67.00												90
95	65.00	64.00	63.00	58.00											95
100	62.00	61.00	60.00	58.00	48.00										100
105	59.00	58.00	57.00	56.00	48.00	39.20	39.60								105
110	57.00	55.00	54.00	53.00	48.00	39.20	39.60								110
115		53.00	52.00	51.00	48.00	39.20	39.60	33.20							115
120		51.00	50.00	48.00	48.00	39.20	39.60	33.20		28.20					120
125		49.00	48.00	46.00	48.00	39.20	39.60	33.20	33.60	28.20		23.40		19.60	125
130		48.00	46.00	44.00	43.80	39.20	39.60	33.20	33.60	28.20		23.40		19.60	130
135			44.00	42.40	42.00	39.20	39.60	33.20	33.60	28.20		23.40		19.60	135
140			42.60	40.80	40.20	38.80	38.60	33.20	33.60	28.20	26.80	23.40		19.60	140
145			41.40	39.20	38.60	37.20	37.00	33.20	33.60	28.20	26.40	23.40		19.60	145
150			40.20	37.80	37.20	35.60	35.60	33.20	33.60	28.20	26.20	23.40		19.60	150
155				36.60	35.80	34.20	34.20	33.20	33.40	28.20	26.00	23.40		19.60	155
160				35.40	34.60	33.00	32.80	32.00	32.00	28.20	25.60	23.40	19.60	19.60	160
165				34.40	33.40	31.60	31.60	30.80	30.80	28.20	25.40	23.40	19.40	19.40	165
170				33.60	32.20	30.60	30.40	29.60	29.60	28.20	25.20	23.20	19.00	19.00	170
175					31.20	29.40	29.40	28.60	28.40	28.00	24.80	23.00	18.80	18.60	175
180					30.20	28.40	28.40	27.60	27.40	26.80	24.60	22.60	18.60	18.40	180
185					29.60	27.40	27.40	26.60	26.40	25.80	24.40	22.20	18.20	18.00	185
190					29.00	26.60	26.40	25.60	25.60	25.00	24.20	21.80	18.00	17.60	190
195						25.80	25.60	24.80	24.60	24.00	24.00	21.40	17.80	17.20	195
200						25.00	25.00	24.00	23.80	23.20	23.80	21.00	17.60	16.80	200
205						24.40		23.20	23.00	22.40	23.00	20.60	17.20	16.40	205
210								22.40	22.40	21.60	22.20	20.20	17.00	16.00	210
215								21.80	21.60	21.00	21.40	19.80	16.80	15.60	215
220								21.20	21.20	20.20	20.80	19.40	16.60	15.40	220
225								20.80		19.60	20.20	19.00	16.60	15.00	225
230										19.20	19.60		16.40	14.60	230
235										18.60	19.00		16.40	14.40	235
240										18.20	18.60		16.20	14.00	240
245										17.80			16.20	13.80	245
250													16.00	13.40	250
255													16.00	13.20	255
260													15.60	13.00	260
265														12.60	265
270														12.40	270
275														12.20	275
280														12.00	280

Working range

Luffing jib with MegaWingLift™

Main boom, luffing jib and MegaWingLift™ - 70°



Hook heights shown in the working diagram do not consider loaded boom deflection.

THIS CHART IS ONLY A GUIDE AND SHOULD NOT BE USED TO OPERATE THE CRANE.

Grove GMK6400 The individual crane's load chart, operating instructions and other instructional plates must be read and understood prior to operating the crane.

Load chart

Luffing jib with MegaWingLift™



54,59 m
(179.1 ft)
70°



25 m - 79 m
(82.0 ft - 259.2 ft)



135 000 kg
(297,600 lb)



8,7 m x 8,5 m
(28.5 ft x 27.9 ft)
(100%)



360°



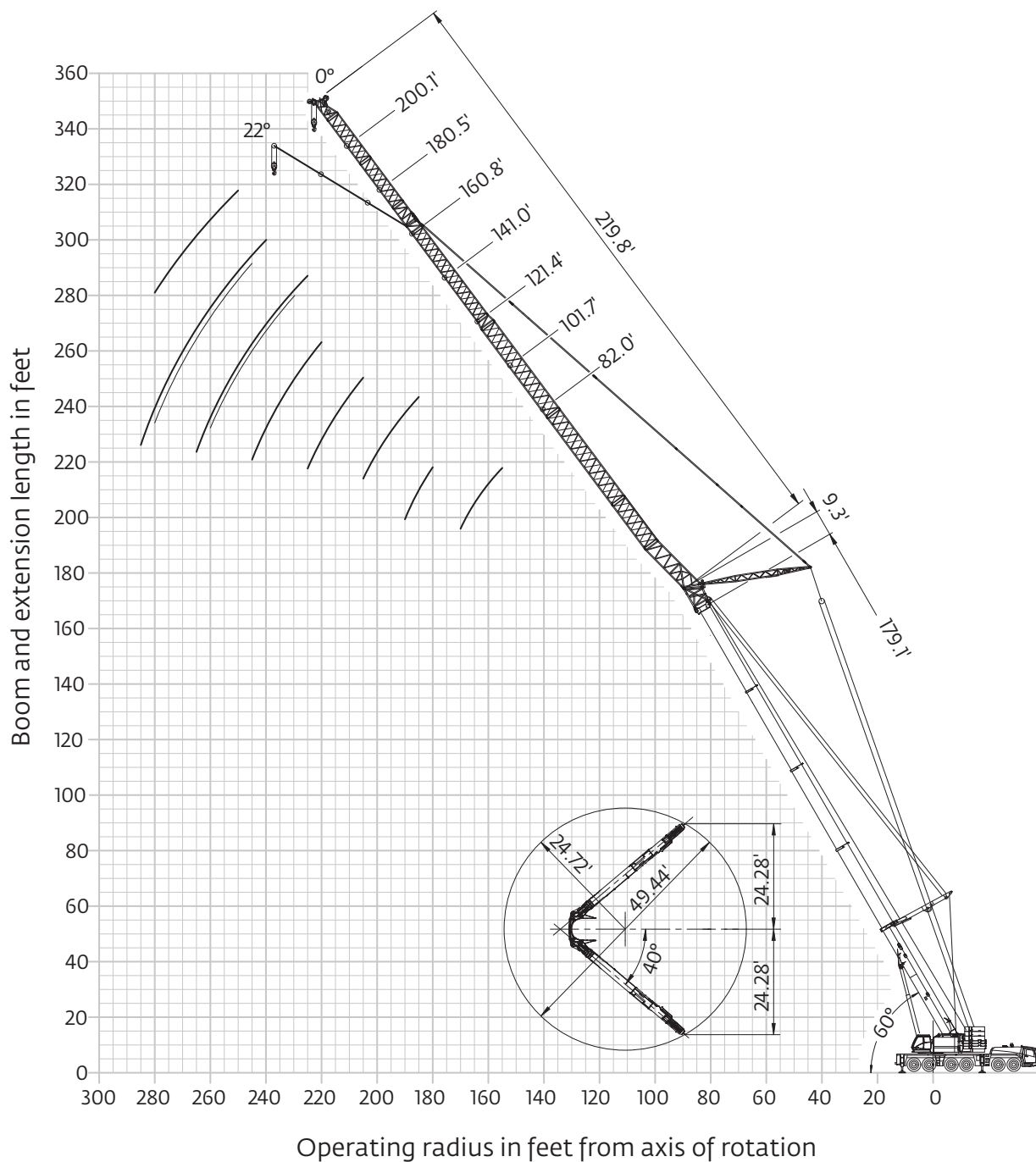
Pounds x 1000

Feet	82.0 0°	101.7 0°	121.4 0°	141.1 0°	160.8 0°	180.5 0° 22°	200.1 0° 22°	219.8 0° 22°	239.5 0° 22°	259.2 0°	Feet
120	47.00										120
125	45.00	43.60									125
130	43.00	41.80									130
135	41.00	39.80									135
140	39.20	38.20	36.80								140
145		36.40	35.20								145
150		35.00	33.80								150
155		33.40	32.40	31.40							155
160		32.00	31.00	30.20							160
165			29.80	29.00	28.00						165
170			28.60	27.80	26.80						170
175			27.40	26.60	25.80	24.60					175
180			26.20	25.60	24.80	23.60	23.60				180
185				24.60	23.80	22.60	22.60	21.80			185
190				23.60	22.80	21.60	21.60	20.80			190
195				22.60	21.80	20.80	20.80	20.00	20.00	20.00	195
200				21.80	21.00	20.00	20.00	19.20	19.20	19.20	200
205					20.20	19.20	19.20	18.40	18.40	18.40	205
210					19.40	18.40	18.40	17.60	17.60	17.60	210
215					18.60	17.60	17.60	16.80	16.80	16.80	215
220					17.80	17.00	17.00	16.20	16.20	16.20	220
225						16.20	16.20	15.40	15.60	15.60	225
230						15.60	15.60	14.80	14.80	14.80	230
235						15.00	14.80	14.20	14.20	14.40	235
240						14.20		13.60	13.60	13.80	240
245								13.00	13.20	13.20	245
250								12.60	12.60	12.60	250
255								12.00	12.00	12.00	255
260									11.60	11.60	260
265									11.00	11.00	265
270									10.60	10.60	270
275									10.00	10.00	275
280										9.00	280
285										9.00	285
290										8.60	290
295										7.40	295
300										7.00	300
305										6.60	305
310										6.20	310
										5.80	310

Working range

Luffing jib with MegaWingLift™

Main boom, luffing jib and MegaWingLift™ - 60°



Hook heights shown in the working diagram do not consider loaded boom deflection.

THIS CHART IS ONLY A GUIDE AND SHOULD NOT BE USED TO OPERATE THE CRANE.

Grove GMK6400 *The individual crane's load chart, operating instructions and other instructional plates must be read and understood prior to operating the crane.*

Load chart

Luffing jib with MegaWingLift™



54,59 m
(179.1 ft)
60°



25 m - 67 m
(82.0 ft - 219.8 ft)



135 000 kg
(297,600 lb)



8,7 m x 8,5 m
(28.5 ft x 27.9 ft)
(100%)



360°



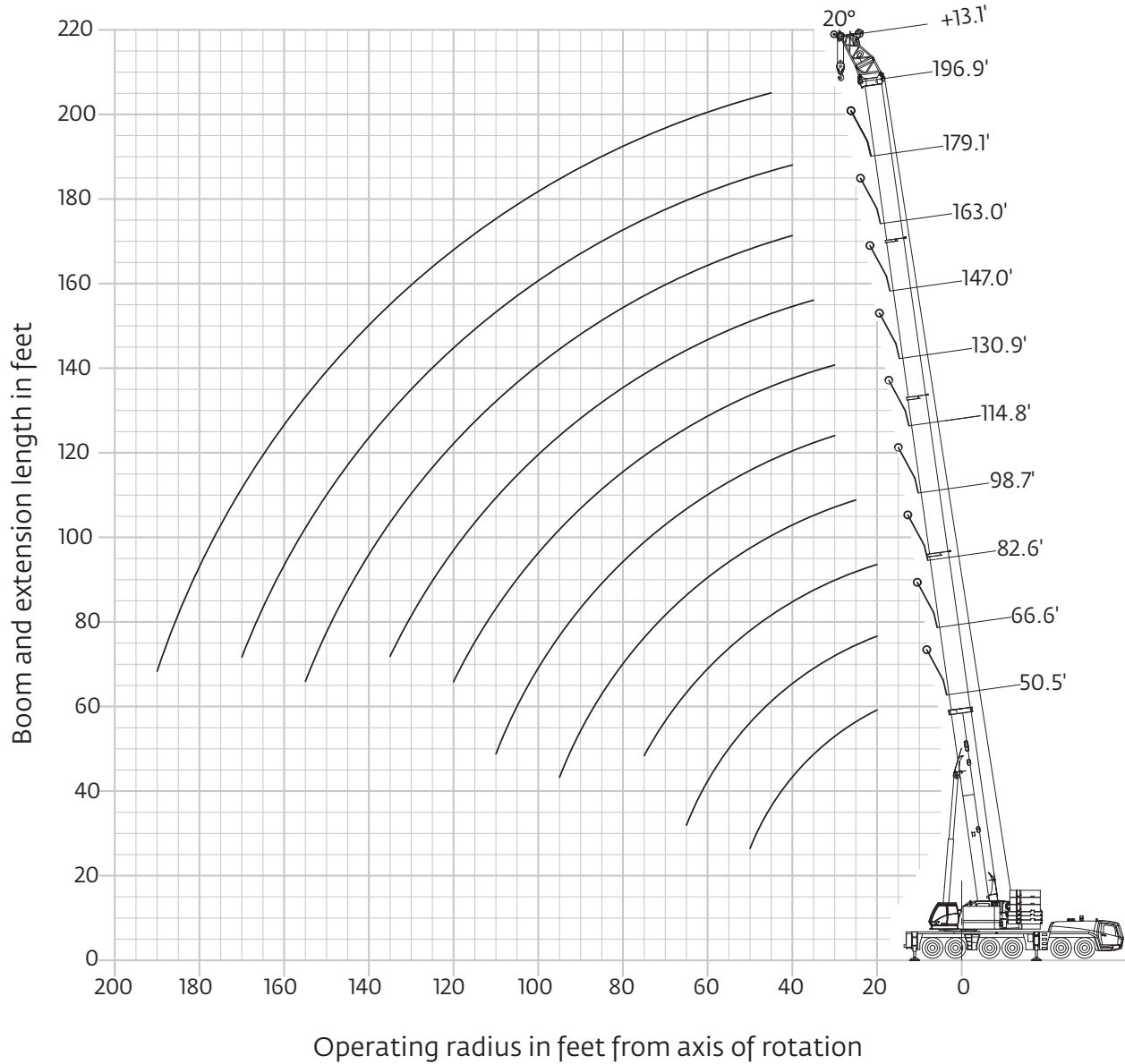
Pounds x 1000

Feet	82.0 0°	101.7 0°	121.4 0°	141.1 0°	160.8 0°	180.5 0°	180.5 22°	200.1 0°	200.1 22°	219.8 0°	Feet
155	26.40										155
160	25.40										160
165	24.20										165
170	23.20										170
175											175
180		20.00									180
185		19.20	18.00								185
190		18.40	17.20								190
195			16.60								195
200			15.80								200
205			15.20	13.80							205
210				13.20							210
215				12.60							215
220				12.00	11.80						220
225				11.40	11.00	9.40					225
230					10.40	9.00	9.00				230
235					10.00	8.40	8.40				235
240					9.40	8.00	8.00	7.20			240
245					9.00	7.60	7.60	6.80	6.80		245
250						7.20	7.20	6.40	6.40	5.60	250
255						6.60	6.60	6.00	6.00	5.20	255
260						6.20	6.20	5.60	5.60	4.80	260
265						5.80		5.20	5.20	4.60	265
270								4.80	4.80	4.20	270
275								4.40	4.40	3.80	275
280								4.00	4.00	3.40	280
285								3.60			285

Working range

Heavy duty jib

Main boom and 4,0 m (13.1 ft) heavy duty jib



Hook heights shown in the working diagram do not consider loaded boom deflection.

THIS CHART IS ONLY A GUIDE AND SHOULD NOT BE USED TO OPERATE THE CRANE.

Grove GMK6400 *The individual crane's load chart, operating instructions and other instructional plates must be read and understood prior to operating the crane.*

Load chart

Heavy duty jib



34,9 m - 60,0 m
(114.8 ft - 196.9 ft)



4,0 m
(13.1 ft)
20°



135 000 kg
(297,600 lb)

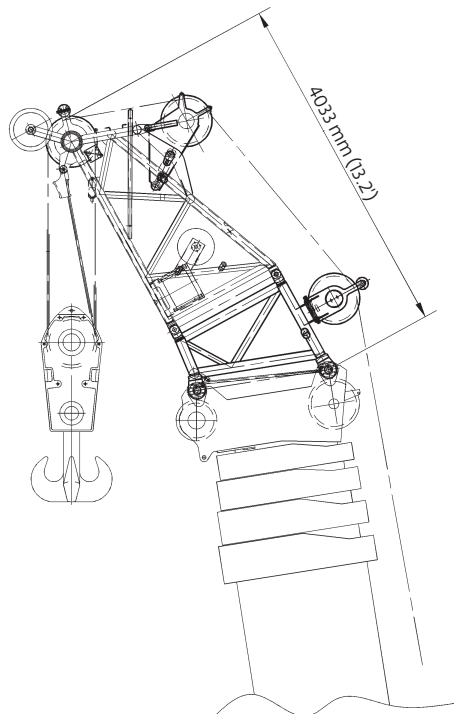


8,7 m x 8,5 m
(28.5 ft x 27.9 ft)
(100%)



360°

Feet	114.8	130.9	147.0	163.0	179.1	196.9	Feet
35	165.00	137.00	120.00				35
40	164.00	126.00	112.00	99.00	82.00		40
45	155.00	116.00	104.00	94.00	82.00	66.00	45
50	146.00	106.00	97.00	89.00	81.00	66.00	50
55	138.00	99.00	90.00	83.00	77.00	66.00	55
60	126.00	91.00	83.00	77.00	72.00	65.00	60
65	114.00	84.00	77.00	72.00	68.00	62.00	65
70	104.00	78.00	72.00	68.00	64.00	59.00	70
75	95.00	73.00	68.00	64.00	60.00	56.00	75
80	87.00	68.00	64.00	59.00	57.00	52.00	80
85	80.00	63.00	59.00	56.00	53.00	49.00	85
90	74.00	59.00	56.00	53.00	50.00	47.00	90
95	69.00	55.00	52.00	49.00	47.00	44.00	95
100	64.00	52.00	49.00	47.00	45.00	41.80	100
105	60.00	49.00	46.00	44.00	42.40	39.80	105
110	53.00	46.00	43.00	41.60	40.20	37.60	110
115		43.40	40.60	39.40	38.20	35.60	115
120		41.20	38.40	37.20	36.20	33.80	120
125			36.20	35.00	34.40	32.00	125
130			34.20	33.00	32.60	30.40	130
135			32.40	31.40	31.00	28.80	135
140				29.60	29.60	27.20	140
145				28.00	28.00	25.60	145
150				26.60	26.50	24.40	150
155				25.00	25.00	23.20	155
160					23.60	22.00	160
165					22.20	20.80	165
170					21.00	19.80	170
175						18.80	175
180						18.00	180
185						17.00	185
190						16.20	190



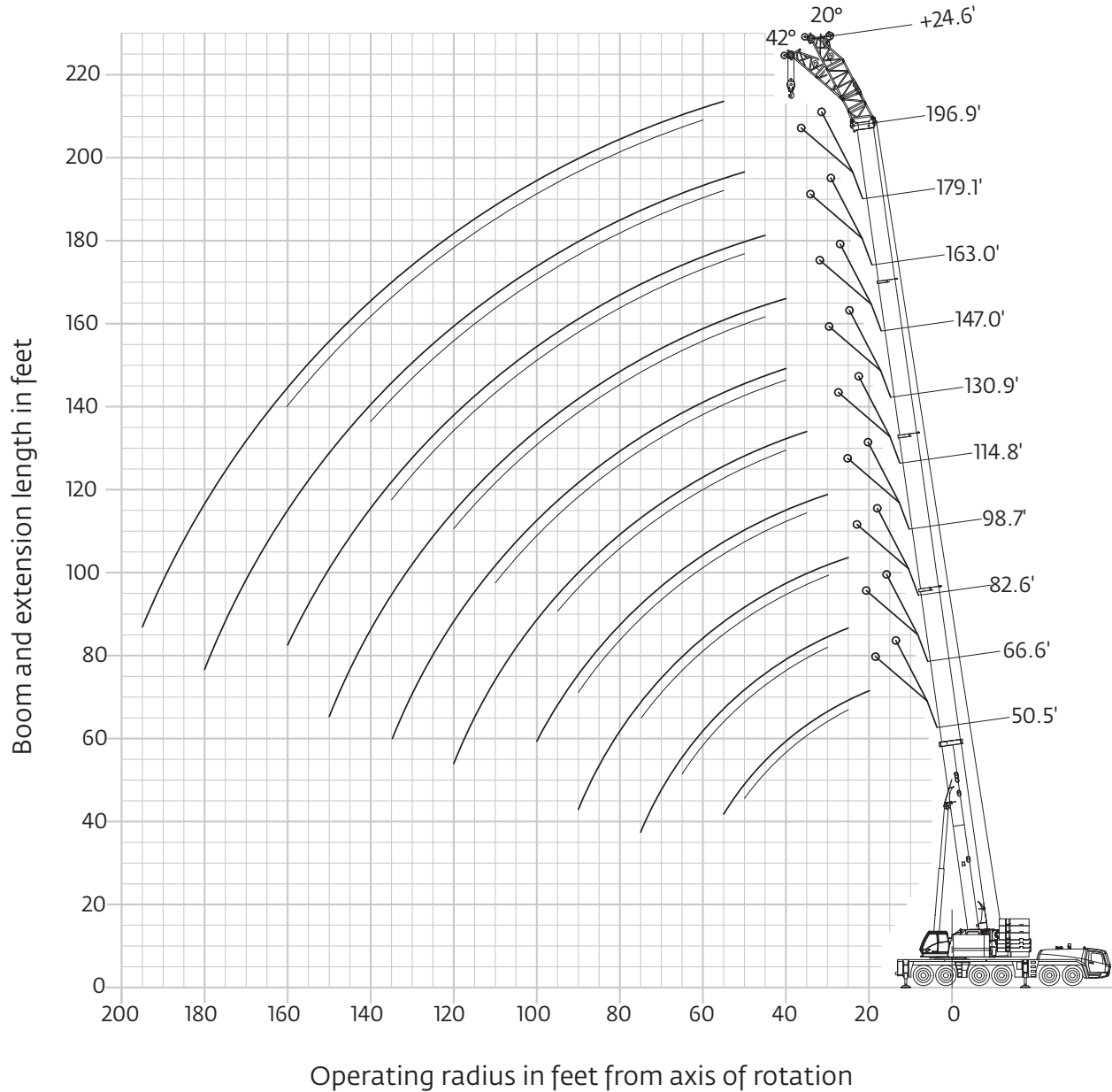
THIS CHART IS ONLY A GUIDE AND SHOULD NOT BE USED TO OPERATE THE CRANE.

The individual crane's load chart, operating instructions and other instructional plates must be read and understood prior to operating the crane.

Working range

Heavy duty jib

Main boom and 7,5 m (24.6 ft) heavy duty jib



Hook heights shown in the working diagram do not consider loaded boom deflection.

THIS CHART IS ONLY A GUIDE AND SHOULD NOT BE USED TO OPERATE THE CRANE.

Grove GMK6400 *The individual crane's load chart, operating instructions and other instructional plates must be read and understood prior to operating the crane.*

Load chart

Heavy duty jib



34,9 m - 60,0 m
(114.8 ft - 196.9 ft)



7,5 m
(24.6 ft)
20°



135 000 kg
(297,600 lb)

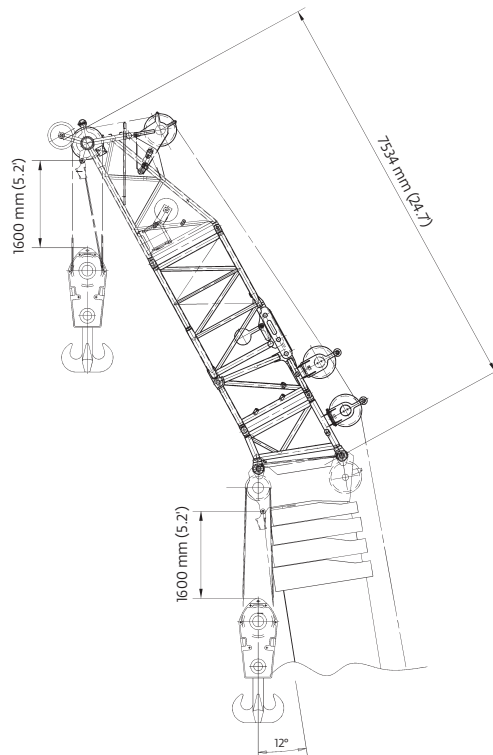


8,7 m x 8,5 m
(28.5 ft x 27.9 ft)
(100%)



360°

Feet	114.8	130.9	147.0	163.0	179.1	196.9	Feet
35	93.00						35
40	89.00	90.00	94.00				40
45	86.00	87.00	92.00	85.00			45
50	83.00	84.00	90.00	83.00	72.00		50
55	80.00	82.00	84.00	78.00	70.00	59.00	55
60	77.00	79.00	78.00	73.00	67.00	59.00	60
65	75.00	77.00	73.00	68.00	64.00	58.00	65
70	73.00	73.00	68.00	64.00	60.00	55.00	70
75	71.00	69.00	64.00	60.00	57.00	52.00	75
80	69.00	65.00	60.00	56.00	53.00	49.00	80
85	68.00	61.00	56.00	52.00	50.00	47.00	85
90	67.00	57.00	53.00	49.00	47.00	44.00	90
95	65.00	53.00	50.00	46.00	45.00	41.80	95
100	64.00	50.00	47.00	43.80	42.20	39.40	100
105	60.00	47.00	43.80	41.40	40.00	37.40	105
110	56.00	44.00	41.20	39.20	37.80	35.20	110
115	52.00	41.40	38.80	37.00	35.80	33.40	115
120	49.00	39.20	36.60	35.00	34.00	31.60	120
125		37.00	34.40	33.20	32.00	29.80	125
130		35.00	32.60	31.40	30.40	27.80	130
135		33.00	30.80	29.60	28.80	26.20	135
140			29.00	27.60	27.00	25.00	140
145			27.40	25.80	25.40	23.60	145
150			25.80	24.60	24.20	22.40	150
155				23.20	23.00	21.20	155
160				21.80	21.80	20.20	160
165					20.60	19.00	165
170					19.40	18.00	170
175					18.40	17.00	175
180					17.40	16.20	180
185						15.20	185
190						14.40	190
195						13.60	195



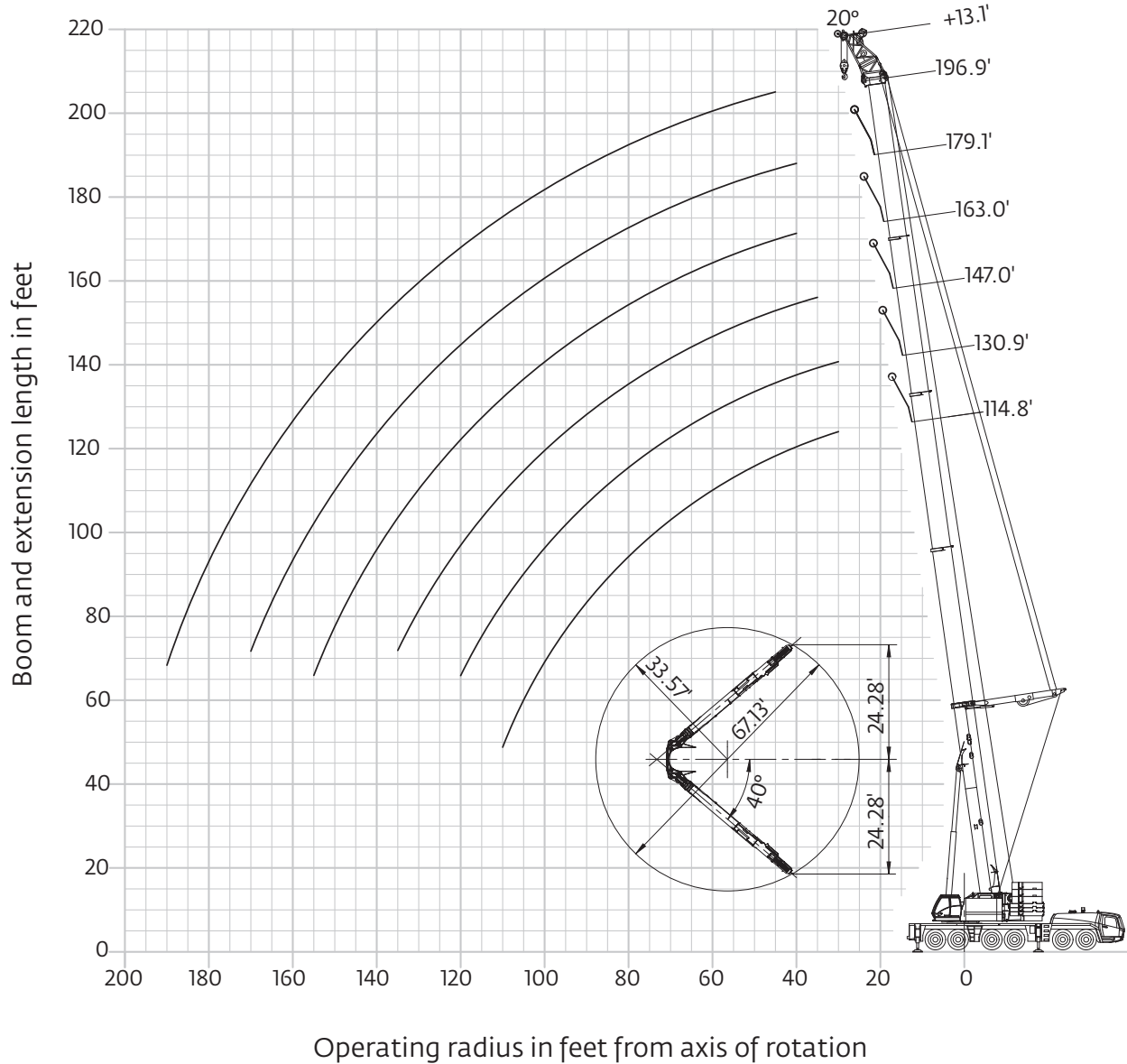
THIS CHART IS ONLY A GUIDE AND SHOULD NOT BE USED TO OPERATE THE CRANE.

The individual crane's load chart, operating instructions and other instructional plates must be read and understood prior to operating the crane.

Working range

Heavy duty jib and MegaWingLift™

Main boom, 4,0 m (13.1 ft) heavy duty jib and MegaWingLift™



Hook heights shown in the working diagram do not consider loaded boom deflection.

THIS CHART IS ONLY A GUIDE AND SHOULD NOT BE USED TO OPERATE THE CRANE.

Grove GMK6400 *The individual crane's load chart, operating instructions and other instructional plates must be read and understood prior to operating the crane.*

Load chart

Heavy duty jib and MegaWingLift™



34,9 m - 60,0 m
(114.8 ft - 196.9 ft)



4,0 m
(13.1 ft)
20°



135 000 kg
(297,600 lb)

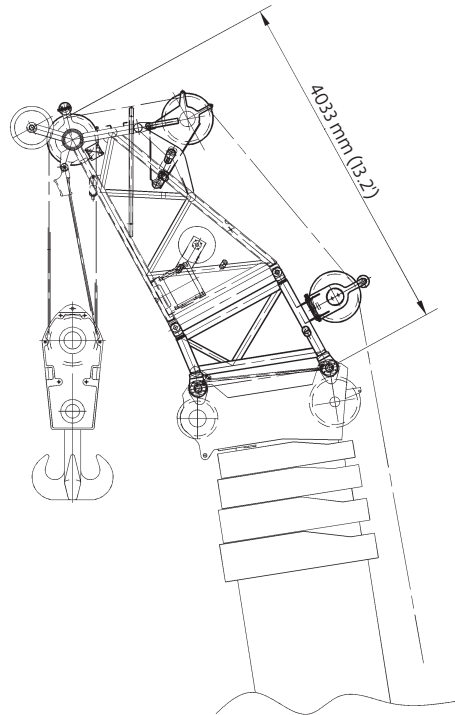


8,7 m x 8,5 m
(28.5 ft x 27.8 ft)
(100%)



360°

Feet	114.8	130.9	147.0	163.0	179.1	196.9	Feet
30	165.00	165.00					30
35	165.00	165.00	165.00				35
40	165.00	165.00	161.00	157.00	150.00		40
45	160.00	152.00	147.00	143.00	141.00	128.00	45
50	148.00	140.00	135.00	132.00	130.00	121.00	50
55	134.00	131.00	126.00	122.00	120.00	114.00	55
60	121.00	120.00	117.00	114.00	111.00	108.00	60
65	110.00	109.00	110.00	107.00	104.00	101.00	65
70	100.00	99.00	100.00	100.00	98.00	95.00	70
75	91.00	90.00	91.00	92.00	93.00	89.00	75
80	83.00	82.00	83.00	84.00	85.00	85.00	80
85	76.00	75.00	75.00	77.00	78.00	78.00	85
90	70.00	69.00	69.00	70.00	72.00	72.00	90
95	64.00	63.00	64.00	65.00	66.00	67.00	95
100	59.00	58.00	59.00	60.00	61.00	62.00	100
105	52.00	54.00	54.00	55.00	56.00	57.00	105
110	45.00	49.00	50.00	51.00	52.00	53.00	110
115		45.00	46.00	47.00	49.00	49.00	115
120		38.80	42.80	43.80	45.00	46.00	120
125			39.60	40.80	42.20	42.60	125
130			35.40	37.80	39.20	39.60	130
135			30.20	35.20	36.60	37.00	135
140				32.80	34.20	34.60	140
145				28.60	31.80	32.20	145
150				24.20	29.80	30.20	150
155				23.00	27.20	28.20	155
160					23.80	26.20	160
165					20.00	24.40	165
170					18.60	22.00	170
175						19.20	175
180						16.00	180
185						13.80	185
190						11.60	190



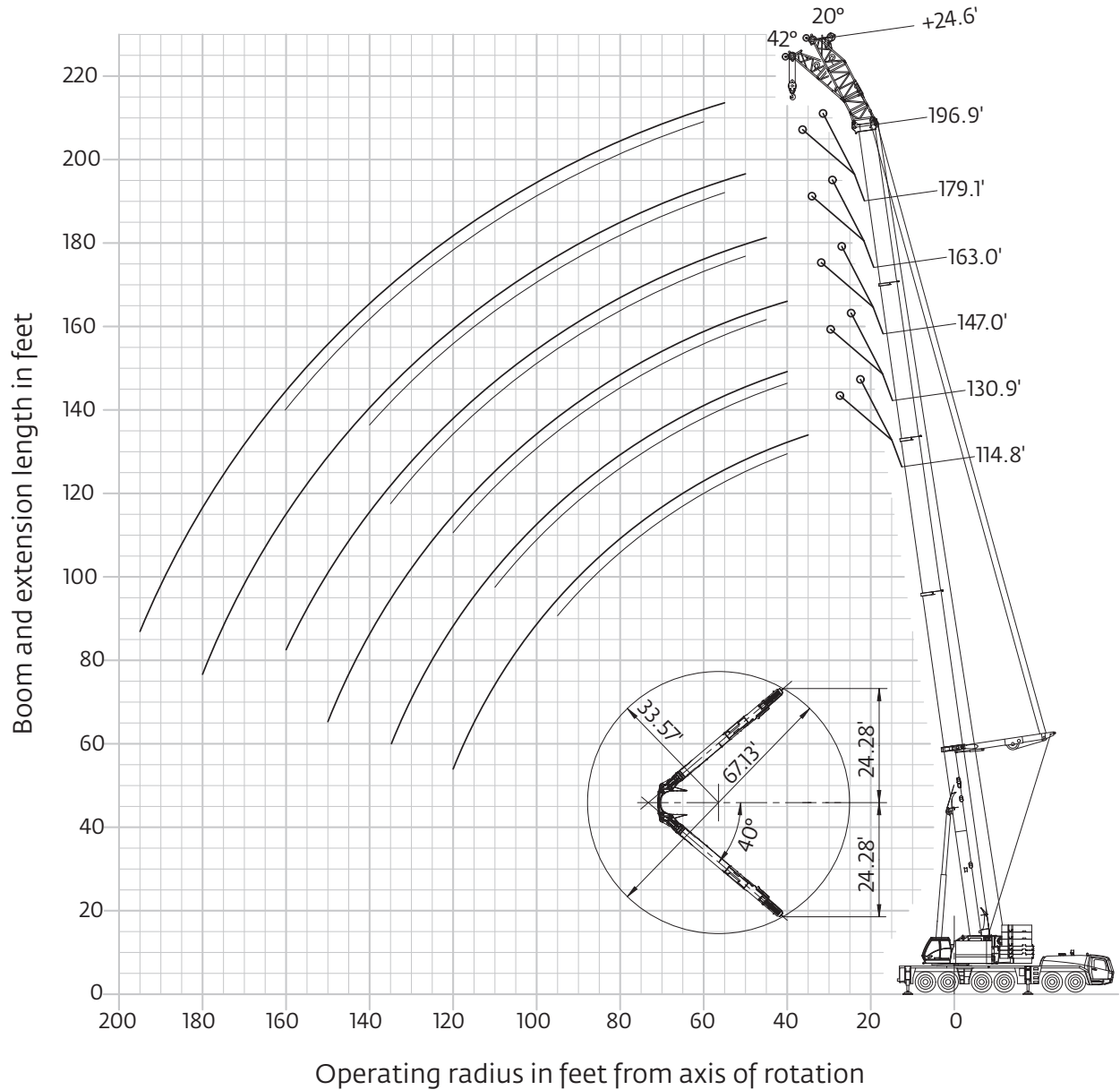
THIS CHART IS ONLY A GUIDE AND SHOULD NOT BE USED TO OPERATE THE CRANE.

The individual crane's load chart, operating instructions and other instructional plates must be read and understood prior to operating the crane.

Working range

Heavy duty jib and MegaWingLift™

Main boom, 7,5 m (24.6 ft) heavy duty jib and Mega Wing Lift™



Hook heights shown in the working diagram do not consider loaded boom deflection.

THIS CHART IS ONLY A GUIDE AND SHOULD NOT BE USED TO OPERATE THE CRANE.

Grove GMK6400 *The individual crane's load chart, operating instructions and other instructional plates must be read and understood prior to operating the crane.*

Load chart

Heavy duty jib and MegaWingLift™



34,9 m - 60,0 m
(114.8 ft - 196.9 ft)



7,5 m
(24.6 ft)
20°



135 000 kg
(297,600 lb)

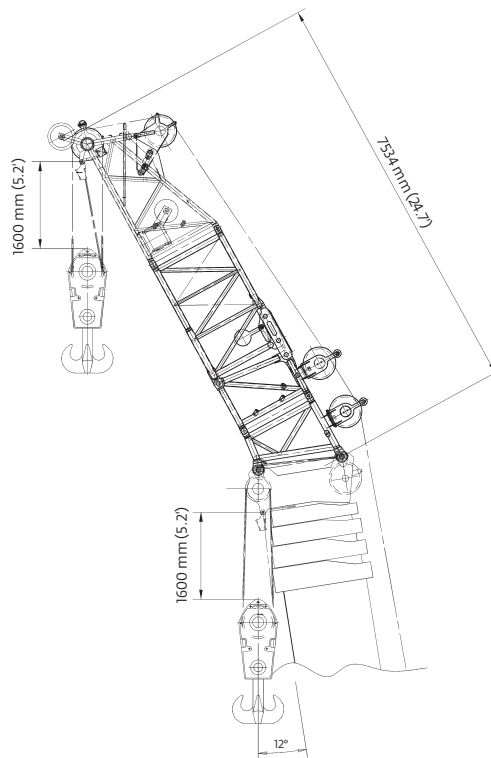


8,7 m x 8,5 m
(28.5 ft x 27.8 ft)
(100%)



360°

Feet	114.8	130.9	147.0	163.0	179.1	196.9	Feet
35	97.00						35
40	94.00		97.00				40
45	91.00	95.00	94.00	95.00			45
50	89.00	90.00	92.00	93.00	93.00		50
55	86.00	88.00	90.00	91.00	91.00	91.00	55
60	84.00	86.00	88.00	89.00	90.00	89.00	60
65	82.00	84.00	86.00	87.00	88.00	87.00	65
70	80.00	82.00	84.00	86.00	86.00	84.00	70
75	78.00	81.00	83.00	84.00	84.00	81.00	75
80	77.00	79.00	81.00	82.00	82.00	78.00	80
85	76.00	77.00	77.00	78.00	79.00	74.00	85
90	71.00	70.00	70.00	71.00	73.00	71.00	90
95	66.00	64.00	65.00	66.00	67.00	67.00	95
100	60.00	59.00	60.00	56.00	62.00	62.00	100
105	56.00	55.00	55.00	52.00	57.00	57.00	105
110	52.00	51.00	51.00	48.00	53.00	53.00	110
115	46.00	47.00	47.00	44.00	49.00	49.00	115
120	41.00	43.20	43.60	41.20	46.00	46.00	120
125		39.80	40.20	38.20	42.40	42.60	125
130		34.20	37.40	35.60	39.60	39.60	130
135			34.60	33.00	36.80	36.80	135
140			31.00	30.60	34.20	34.40	140
145			26.40	28.40	32.00	32.00	145
150			24.00	24.80	29.80	29.80	150
155				20.80	27.60	27.80	155
160					25.80	26.00	160
165					23.40	24.20	165
170					20.20	22.40	170
175					16.80	20.80	175
180					16.00	18.40	180
185						15.80	185
190						13.00	190
195						11.20	195



THIS CHART IS ONLY A GUIDE AND SHOULD NOT BE USED TO OPERATE THE CRANE.

The individual crane's load chart, operating instructions and other instructional plates must be read and understood prior to operating the crane.

Symbols glossary



Axles



Counterweight



Grade



Radius



Boom



Drive



Hoist



Rotation



Boom elevation



Electrical system



Hookblock



Speed



Boom extension



Engine



Hydraulic system



Steering



Boom length



Extension



Lights



Suspension



Boom nose



Frame



Oil



Swing



Brakes



Fuel tank capacity



Outrigger controls



Tires



Cab



Gear



Outriggers



Transmission

Manitowoc Cranes

Regional headquarters

Americas

Manitowoc, Wisconsin, USA

Tel: +1 920 684 6621

Fax: +1 920 683 6277

Shady Grove, Pennsylvania, USA

Tel: +1 717 597 8121

Fax: +1 717 597 4062

Europe, Middle East, Africa

Dardilly, France

Tel: +33 (0)4 72 18 20 20

Fax: +33 (0)4 72 18 20 00

China

Shanghai, China

Tel: +86 21 6457 0066

Fax: +86 21 6457 4955

Greater Asia-Pacific

Singapore

Tel: +65 6264 1188

Fax: +65 6862 4040

Regional offices

Americas

Brazil

Alphaville

Mexico

Monterrey

Chile

Santiago

Europe, Middle East,

Africa

France

Baudemont

Cergy

Decines

Germany

Langenfeld

Italy

Lainate

Netherlands

Breda

Poland

Warsaw

Portugal

Baltar

Russia

Moscow

South Africa

Johannesburg

U.A.E.

Dubai

U.K.

Buckingham

China

Beijing

Chengdu

Guangzhou

Xian

Greater Asia-Pacific

Australia

Brisbane

Melbourne

Sydney

India

Chennai

Delhi

Hyderabad

Pune

Korea

Seoul

Philippines

Makati City

Singapore

Factories

Brazil

Passo Fundo

China

TaiAn

Zhangjiagang

France

Charlieu

Moulins

Germany

Wilhelmshaven

India

Pune

Italy

Niella Tanaro

Portugal

Baltar

Fânzeres

USA

Manitowoc

Port Washington

Shady Grove

This document is non-contractual. Constant improvement and engineering progress make it necessary that we reserve the right to make specification, equipment, and price changes without notice. Illustrations shown may include optional equipment and accessories and may not include all standard equipment.