

POWERLIFT



PRODUCT
OVERVIEW



MANITEX CRANES

MANITEX POWERLIFT

Innovative design and technological innovations make the Manitex PowerLift a crane that guarantees efficiency, operating speed and safety.

TWO AVAILABLE VERSIONS:

Hydraulic and Electronic

NEW BASE WITH CENTERED COLUMN

Improved lifting radius with the Power Link System. Secondary boom cylinder located on the back of the boom pack and protected from damages during travelling and loading.

NEW HYDRAULIC SYSTEM

- Horizontal Swivel PARKER located on the crane base
- Proportional Compensated DANFOSS Valve Bank
- Double hydraulic circuit with double Inlet filter (Top Seat)
- Maximum performance without regenerative valves
- Re-Designed Hydraulic circuit that minimize the loss of power
- VRBC Valves: Improved maneuverability and precision

Simplified stabilizer control station, thanks to double valve bank, pre-arranged for supplementary stabilizers, and horizontal stabilizer lever.

TWO CONTROL STATION

TOP SEAT

- Joystick and pedals
- Split Danfoss Valve Bank
- Radio Remote

GROUND CONTROL

- Danfoss Valve Bank
- Radio Remote

3 STABILIZERS SPREAD:

- Standard 17'11"
- Extra Large 21'6"
- Super Extra Large 24'3"

All available only with fixed cylinder

TWO OPTIONS OF MULTIFUNCTION RADIO REMOTE CONTROL:

- Hydraulic without display on Radio Transmitter
- Electronic with display on Radio Transmitter





SERVICE

CUSTOMER SERVICE

Ensuring total customer satisfaction is the philosophy behind Manitex Customer Service. Manitex supports his customers being always available and ready to listen to their particular needs. Rapidly getting to the heart of the problem is the spirit in which Manitex's specialized staff responds to his customer requests. Manitex's experts after sales service engineers are always there to handle any service job. With the experience and competence of people who have been working with Manitex cranes for several years, they provide the right answer or alert the nearest Manitex Service Centre.

MANITEX AFTER-SALES SERVICE NETWORK

With 300 after-sales service centres, Manitex provides its customers with a comprehensive service in Italy and worldwide. Trusting the Manitex After-Sales Service Network means that original Manitex spare parts are always used to guarantee maximum crane performance. Specialised technical Manitex trainers visit the Manitex after-sales centres regularly in order to provide them with the support they need to ensure maximum customer satisfaction at all times.

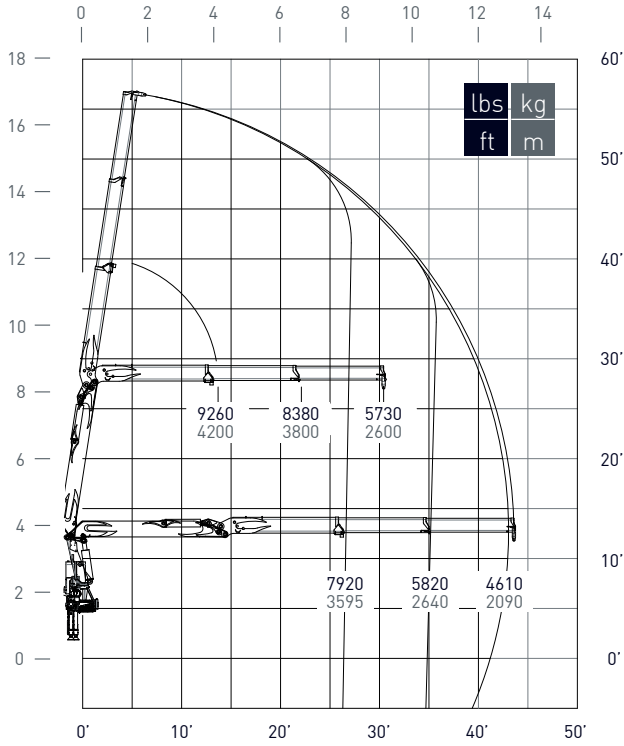
MANITEX ORIGINAL SPARE PARTS

Manitex takes the same care in the production of spare parts as it takes over the design and manufacturing of the cranes. Only in this way does Manitex ensure that the crane keeps its reliability and superior quality. Manitex original spare parts are produced with the highest quality standards and are designed to meet exactly Manitex crane specifications and safety features. Manitex cranes are famous for their high safety standards. In order to maintain this level, Manitex's designers recommend only original Manitex spare parts for repairs and maintenance. Manitex original spare parts are the only ones ensuring your crane with the same performance as the initial one.

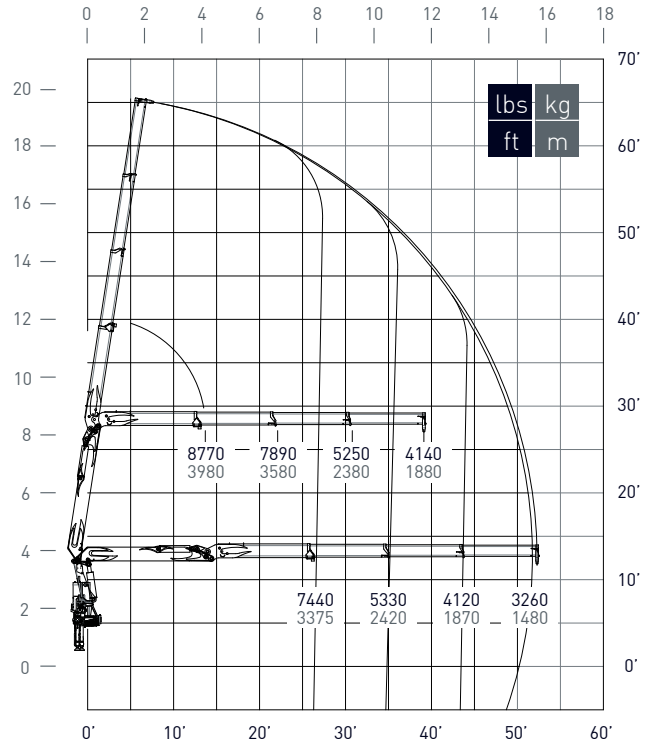
CONFIGURATIONS

Hydraulic Version

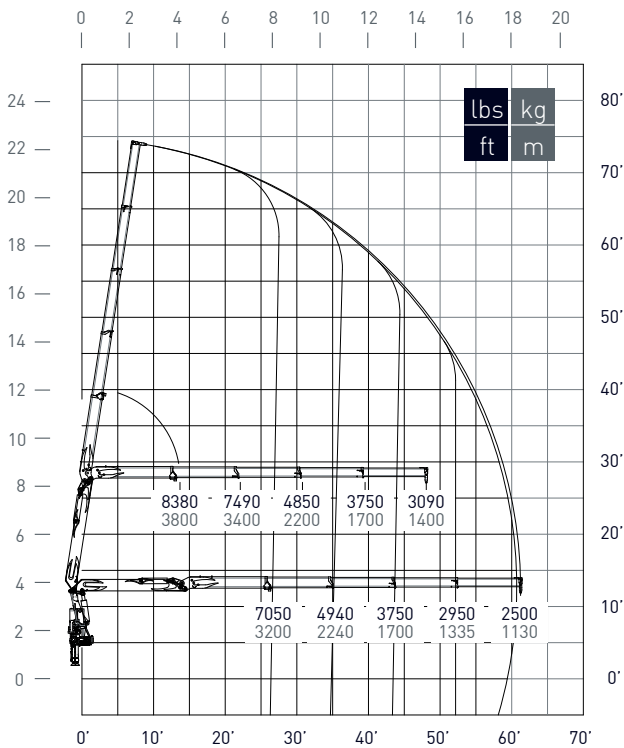
PL 56' S



PL 65' S



PL 74' S

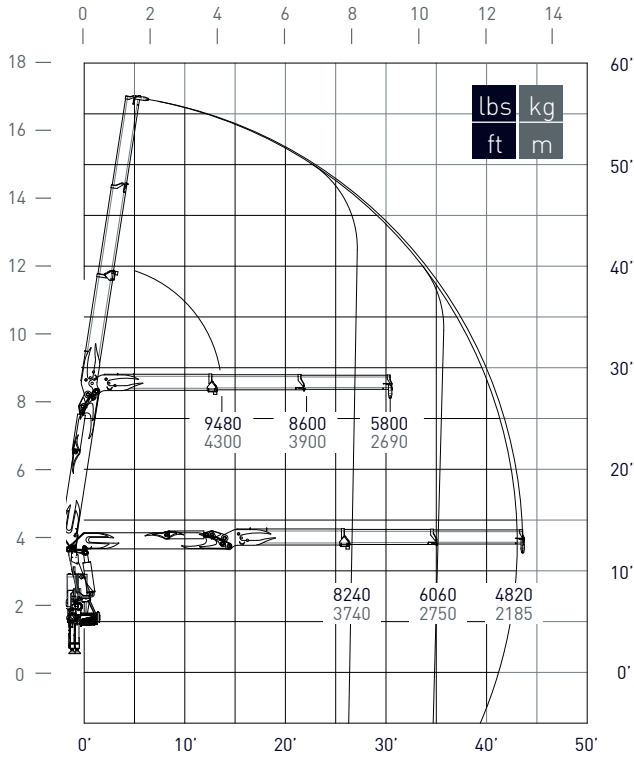


The stated performances can be obtained with 16° inclined main boom.

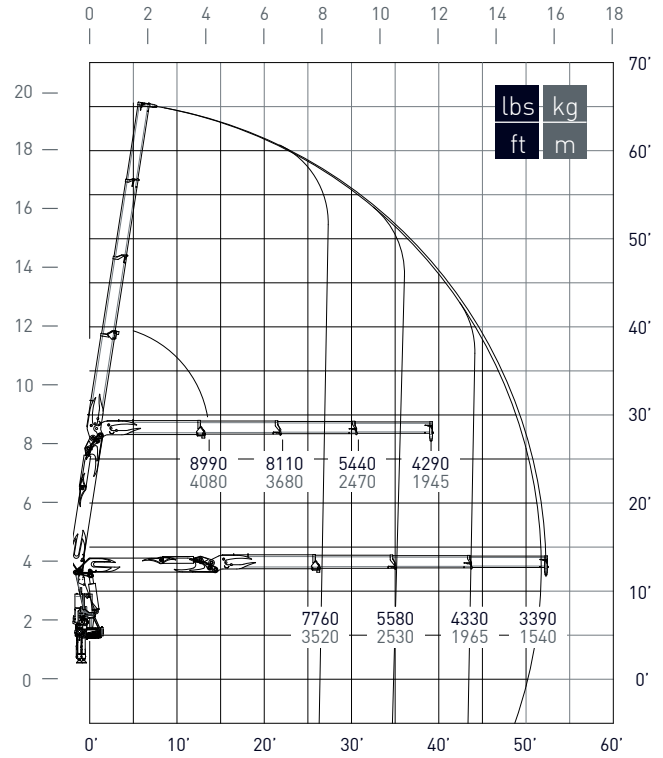
CONFIGURATIONS

Electronic Version

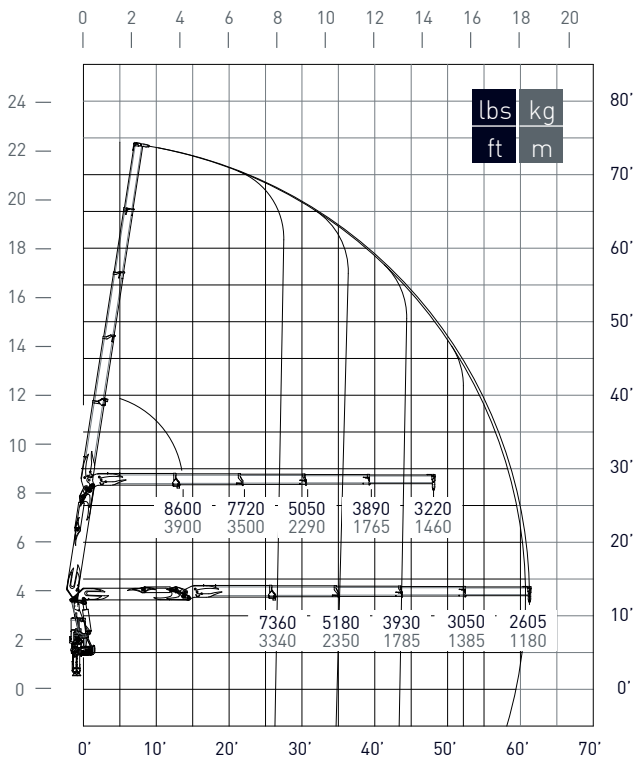
PL 56' SP



PL 65' SP



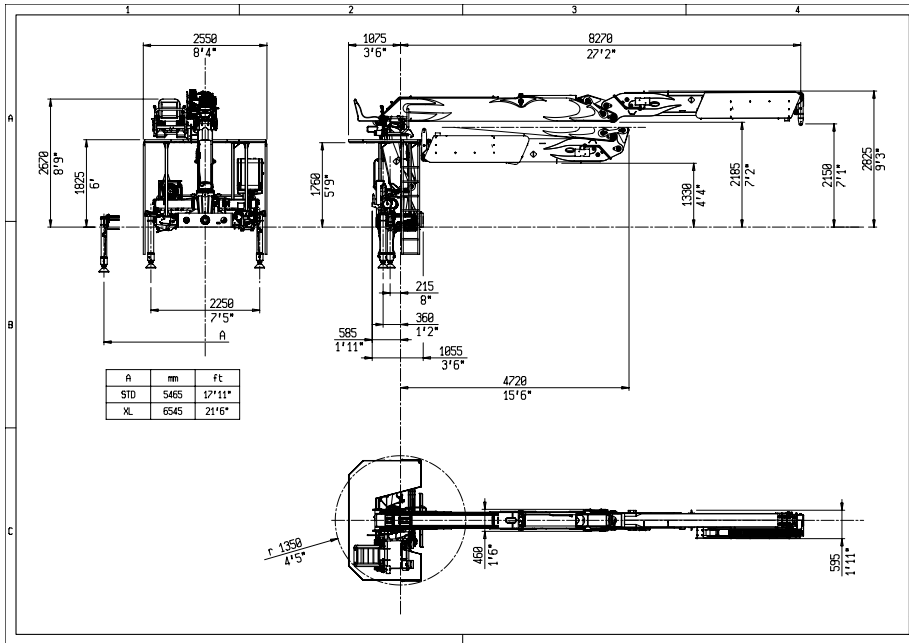
PL 74' SP



The stated performances can be obtained with 16° inclined main boom.

DIMENSIONS

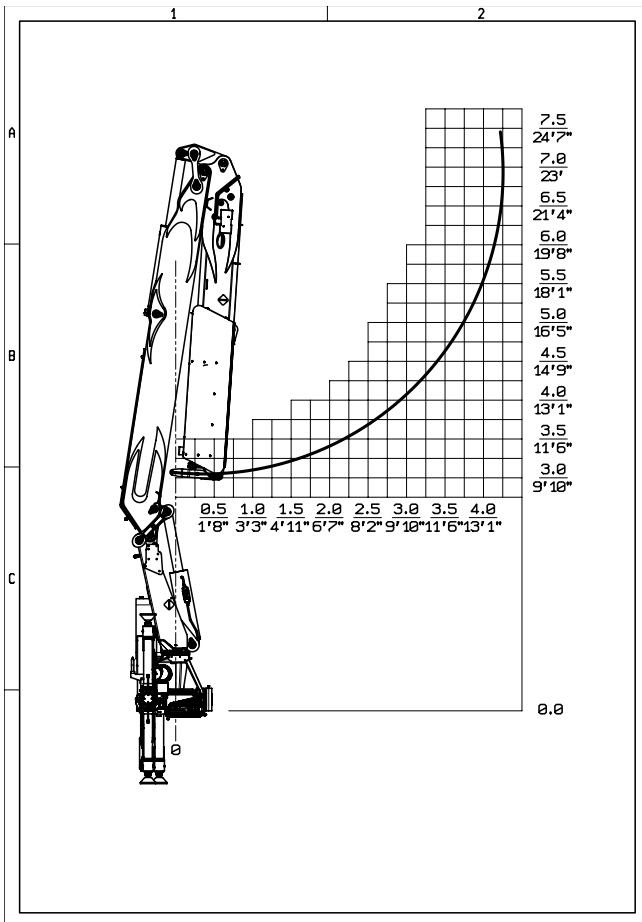
POWERLIFT



		STD	XL
A	ft	17' 11"	21' 6"


		STD	XL
A	mm	5465	6545

WORKING POSITIONS



DIMENSIONS

		PL 56' S	PL 65' S	PL 74' S	PL 56' SP	PL 65' SP	PL 74' SP
Maximum lifting moment	ft/lbs	208020	195290	187480	216410	203680	195680
	tm	28,8	27	25,9	29,9	28,2	27,1
HYDRAULIC OUTREACH							
Horizontal	ft	43' 10"	52' 4"	61' 2"	43' 10"	52' 4"	61' 2"
	m	13,35	15,95	18,65	13,35	15,95	18,65
Vertical	ft	56' 3"	65'	73' 8"	56' 3"	65'	73' 8"
	m	17,15	19,80	22,45	17,15	19,80	22,45
HYDRAULIC SYSTEM							
Maximum oil flow	gals/min	16+16	16+16	16+16	16+16	16+16	16+16
	l/min	60+60	60+60	60+60	60+60	60+60	60+60
Maximum pressure	Psi	4420	4420	4420	4710	4710	4710
	MPa	30,5	30,5	30,5	32,5	32,5	32,5
Oil tank capacity	gals	53	53	53	53	53	53
	l	200	200	200	200	200	200
SLEWING SYSTEM							
Slewing angle	°	410	410	410	410	410	410
Slewing moment	ft/lbs	32450	32450	32450	32450	32450	32450
	kN m	44	44	44	44	44	44
Maximum working heel	%(°)	8.7 (5)	8.7 (5)	8.7 (5)	8.7 (5)	8.7 (5)	8.7 (5)
STANDARD CRANE WEIGHT							
Without oil tank	lbs	8710	9240	9770	8710	9240	9770
	kg	3950	4190	4430	3950	4190	4430



Uptime is the Manitex
commitment to complete
support of thousands of units
working every day.

MANITEX
3000 South Austin Avenue
Georgetown, Texas 78626
1-877-314-3390 | www.Manitex.com

