

GROVE[®]
worldwide

TMS300B

Truck-mounted hydraulic crane

- Capacity 40 tons (37,500 kg)
- Standard fifth jack for 360° duties
- Maximum on-board tip height 164 ft. (50m)
- Optional 32 ft. - 56 ft. (9.8-17m) telescopic swingaway offsets 0°, 15° and 30°



Superstructure specifications

Boom	34 ft. to 104 ft. (10.4m - 31.7m) four section Trapezoidal† power pinned boom. Telescopic sections slide on adjustable and replaceable nylatron pads. Maximum tip height: 109 ft. (33.2m).
Swingaway Extension	32 ft. (9.8m) lattice swingaway boom extension stows alongside base boom section when not in use. Maximum tip height: 140 ft. (42.7m).
*Optional Telescopic Swingaway	32 ft. to 56 ft. (9.8m-17m) telescopic lattice swingaway extension with offset links, offsettable at 0°, 15° or 30°. Stows alongside base boom when not in use. Maximum tip height: 164 ft. (50.0m).
*Optional Offsettable Swingaway	32 ft. (9.8m) lattice swingaway. Boom extension stows alongside base boom section when not in use. Offsettable at 0°, 15° or 30°. Maximum tip height: 140 ft. (42.7m).
Boom Nose	Four sheaves mounted on heavy duty tapered roller bearings with removable pin-type rope guards. *Optional removable auxiliary boom nose with removable pin type rope guard.
Boom Elevation	Two double acting hydraulic cylinders with integral holding valve provides elevation from -3° to 76°.
Load Moment & Anti-Two Block System	Standard load moment and anti-two block system with audio-visual warning and control lever lockout. These systems provide electronic display of boom angle, length, radius, tip height, relative load moment, maximum permissible load, load indication and warning of impending two-block conditions.
Cab	Full vision, all steel fabricated with acoustical lining and tinted safety glass throughout. Dash panel incorporates gauges for all engine functions. Other standard features include: hinged skylight, sliding left side door and sliding right side window, electric windshield wash-wipe, circulating air fan, heater, swing horn, fire extinguisher, seat belt. *Optional items: electric skylight wiper and air conditioning (Special Order).
Swing	Ball bearing swing circle with 360° continuous rotation. Grove "glide swing" with foot actuated disc brake, spring applied hydraulically released park brake and 360° positive turntable lock. Combination controls provided for hand or foot operation. Swing speed 2.6 RPM.
Counterweight	Fixed position pinned to turntable. Weight varies depending on hoist configuration.

HYDRAULIC SYSTEM

Pumps	Four main gear pumps powered by carrier engine. Manual pump disconnect. Combined capacity 146 GPM (553 LPM).
Valves	Precision four way double acting control valves, 4 individual valve banks permit simultaneous control of multiple crane functions.
Filter	Return line type, full flow with by-pass protection and filter by-pass indicator, replaceable cartridge, 15/30/38 filtration rating.
Reservoir	127 gallons (481 L) with spin-on breather filter, external sight gauge, clean out access, strap mounted to frame.
Oil Cooler	Full flow, fin and tube, oil to air.

HOIST SPECIFICATIONS

Series parallel circuitry and two motors provide both high line pull and speed ranges. Power up and down, equal speed, planetary reduction with integral automatic brake and electronic hoist drum rotation indicator.

Make/Model		Main Hoist HO30B-16 or *Auxiliary Hoist HO30B-16	
		High Range	Low Range
Maximum single line speed	Bottom layer	396 FPM (121m/min)	198 FPM (60 m/min)
	Intermediate layer	460 FPM (140m/min)	230 FPM (70 m/min)
	Top layer	526 FPM (160m/min)	263 FPM (80 m/min)
Maximum single line pull	Bottom layer	8,161 lbs. (3701 kg)	16,322 lbs. (7404 kg)
	Intermediate layer	7,028 lbs. (3188 kg)	14,056 lbs. (6376 kg)
	Top layer	6,172 lbs. (2799 kg)	12,344 lbs. (5599 kg)
Maximum permissible line pull w/5:1 Strength Factor		12,920 lbs. (5861 kg) w/std. wire rope	
Maximum rope stowage		Main/Aux. 508 ft. of 3/4" dia. rope (155m of 19mm)	
Note: 500 ft. (152m of 19mm) supplied with basic unit for main hoist.			

†Patented Grove feature or patent pending
*Denotes optional equipment

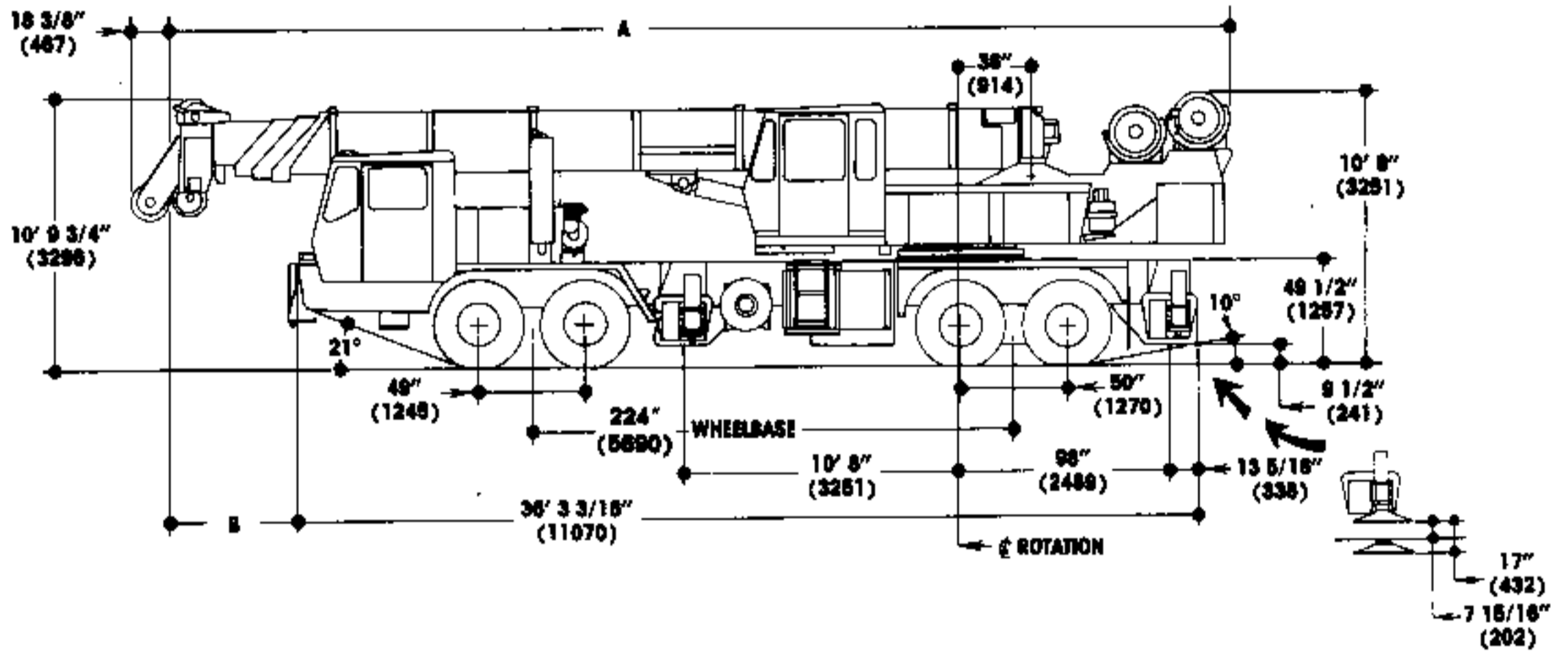
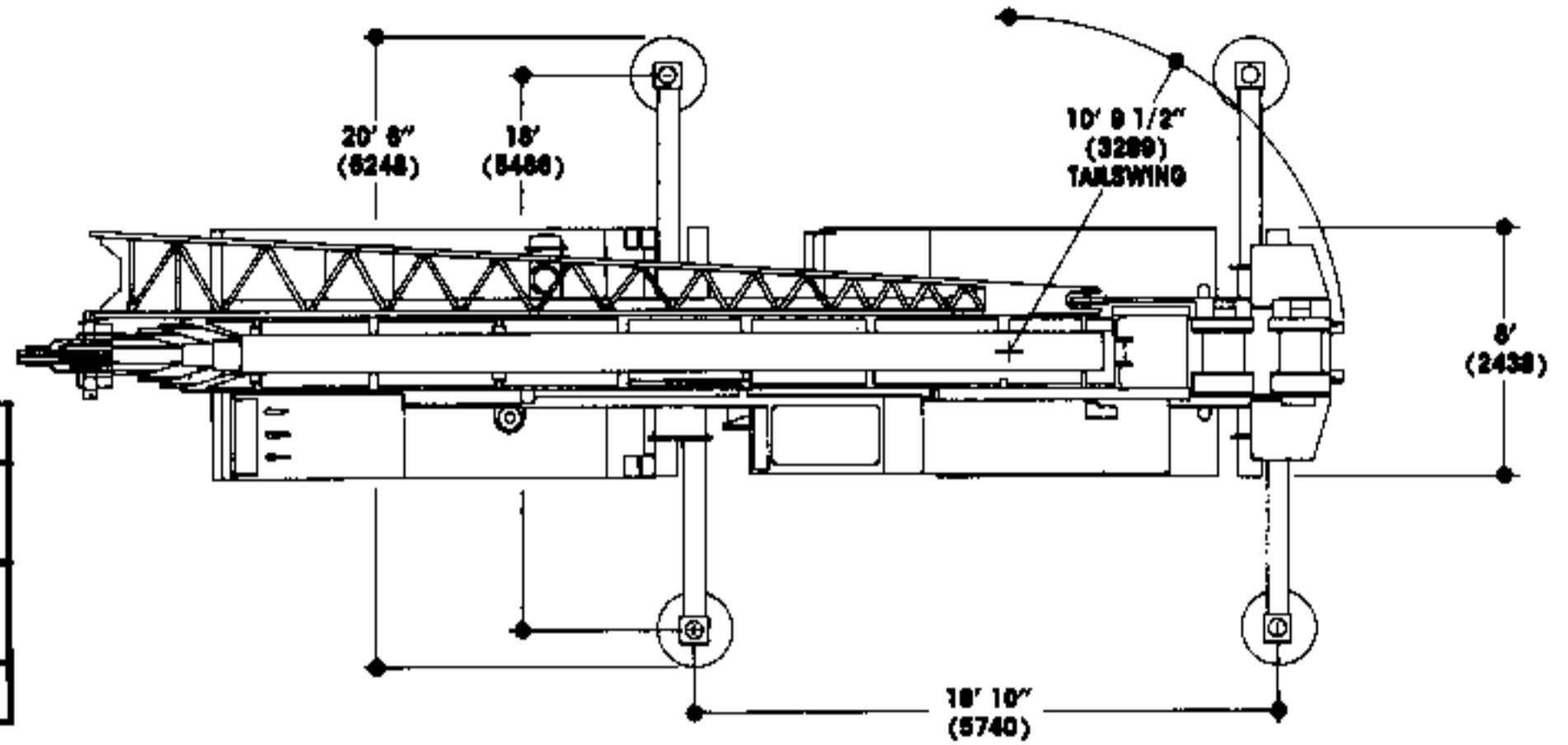
Carrier specifications

Frame	High strength alloy steel all welded box-type construction with integral outrigger boxes and front/rear lifting, towing and tie down lugs.
Outrigger System	Hydraulic single stage double box telescopic beam and jack outriggers with integral holding valves. All steel fabricated quick release type outrigger floats 24" (610mm) diameter. Standard fifth front stabilizer for 360° duties.
Outrigger Controls	Located in superstructure cab. Push button controls requiring two-handed operation for safety. Crane level indicator (sight bubble) adjacent to controls.
Engine	Detroit diesel 6-71N six cylinder, naturally aspirated water cooled diesel, 426 cu. in. (7 L) 230 bhp (172 kw) (Gross) @ 2100 RPM. Maximum torque 611 ft. lbs. (84.5 kg/m) @ 1600 RPM.
Fuel Tank Capacity	(1) 90 gallon (341 L)
Electrical System	Four 12 volt - maintenance free batteries, 24 volt starting.
Drive	8 x 4
Steering	Front axle steering, cam and lever type with hydraulic assist.
Transmission	Manual with 13 speeds forward and 3 reverse.
Axles	Front: Rockwell beam type steer axles. Rear: Rockwell SSHD drive tandem, with inter-axle differential and dash mounted control.
Suspension	Front axles (1 & 2) spring mounted tandem. Rear axles (3 & 4) solid mount tandem with equalizing beam and solid steel saddles.
Tires	Front: 15.00x22.5-16PR duplex highway tread tubeless singles. Rear: 11:00x20-14PR highway tread tube type duals.
Optional Tires	Front: 16.5x22.5-16PR duplex highway tread tubeless and 12:00x20-18PR Michelin radial tube type. Rear: 11:00x20-14PR highway tread SRL-1 or HCT tube type radial and 12:00x20-18PR radial tube type.
Brakes	Full air on all wheels. Air dryer provided to preclude moisture accumulation. Spring set emergency brake on both rear axles with emergency release.

Lights	Full lighting including head, tail, braking, reversing, directional and hazard warning lights.
Cab	One man design, all steel fabricated with acoustical lining and tinted safety glass throughout. Deluxe fabric covered fully adjustable seat. Complete driving controls and engine instrumentation including tachometer, speedometer, voltmeter, water temp. oil pressure, fuel level, air pressure gauge. Other standard items include hot water heater/defroster, electric windshield wash/wipe, fire extinguisher, seat belt and door and window locks.
Maximum Speed	51.5 MPH (82.9 kph)
Gross Vehicle Weight & Axle Loads	BASIC STANDARD MACHINE Front Tandem: 28,743 lbs. (13,038 kgs) Rear Tandem: 43,884 lbs. (19,906 kgs) G.V.W.: 72,627 lbs. (32,944 kgs) (includes 32 ft. swingaway)
Miscellaneous Standard Equipment	Dual rear view mirrors, hookblock tiedown sling, electronic back-up alarm, light package.
Optional Equipment	* Immersion engine block heater * Hookblocks/Headache balls * Spare wheel assembly * Pintle hook front and rear * Working lights * Engine low oil pressure, high water temperature audio/visual warning system * 360° rotating beacon * Tool kit * Dual base boom mounted floodlights

†Patented Grove feature or patent pending.
*Denotes optional equipment.

	3 SEC. BOOM	4 SEC. BOOM
A	41'3 7/8" (12595)	42'4 3/8" (12913)
B	60 1/16" (1526)	72 9/16" (1843)
Turning Radius:		42'



GROVE
worldwide

Grove Worldwide - World Headquarters
1565 Buchanan Trail East
Shady Grove, Pennsylvania 17256
Phone: (717) 597-8121
Telex: 1842308 Fax: (717) 597-4062

Grove North America
P.O. Box 21, Shady Grove, Pennsylvania 17256
Western Hemisphere, Asia/Pacific
Phone: (717) 597-8121
Telex: 1842308 Fax: (717) 597-4062

Grove Europe, Crown Works
Sunderland SR4 6TT, England
Europe, Africa, Middle East, Near East
Phone: (091) 565-6281
Telex: 53484 CRANES G Fax: (091) 564-0442

Constant improvement and engineering progress makes it necessary that we reserve the right to make specification, equipment, and price changes without notice. Illustrations shown may include optional equipment and accessories and may not include all standard equipment.

Distributed By: