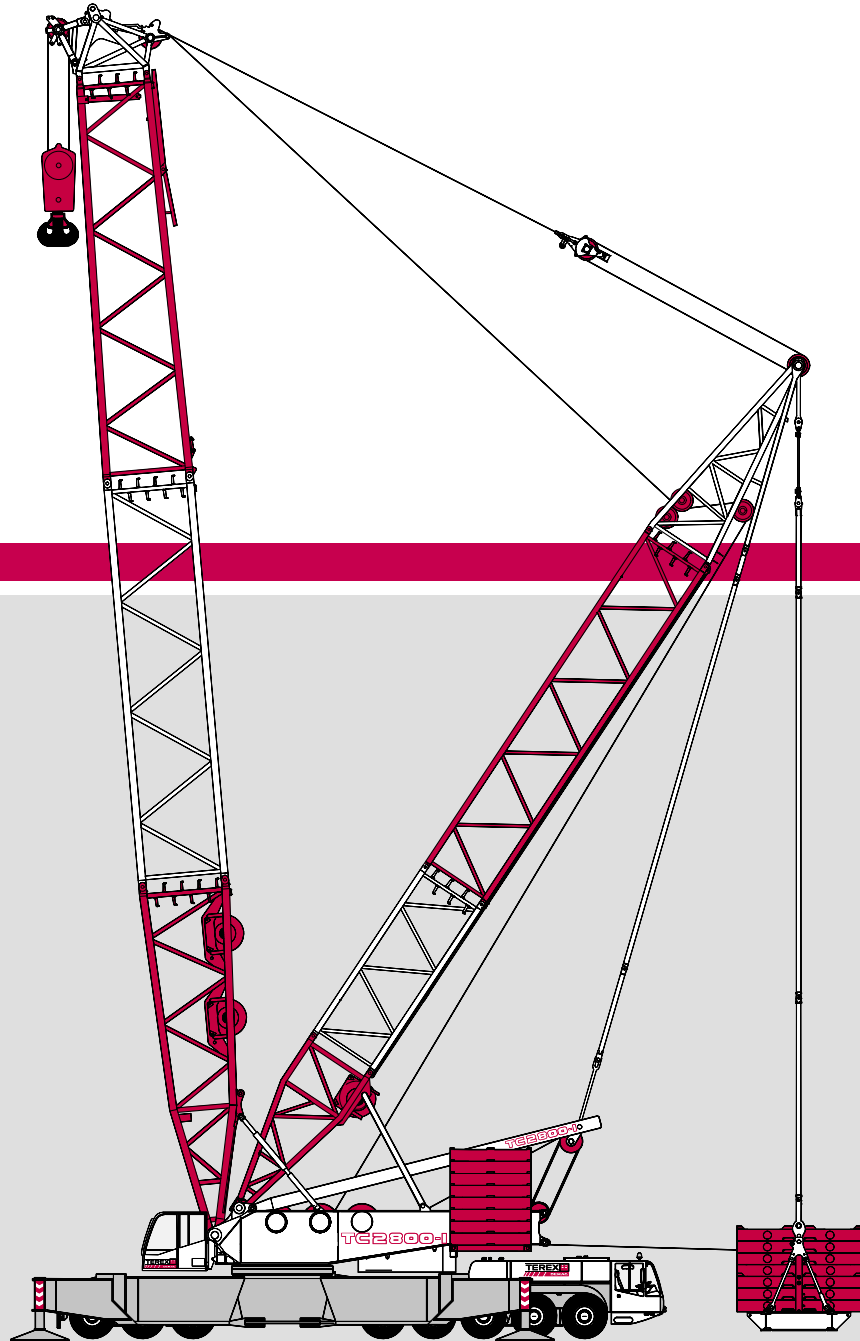


**TC 2800-1**

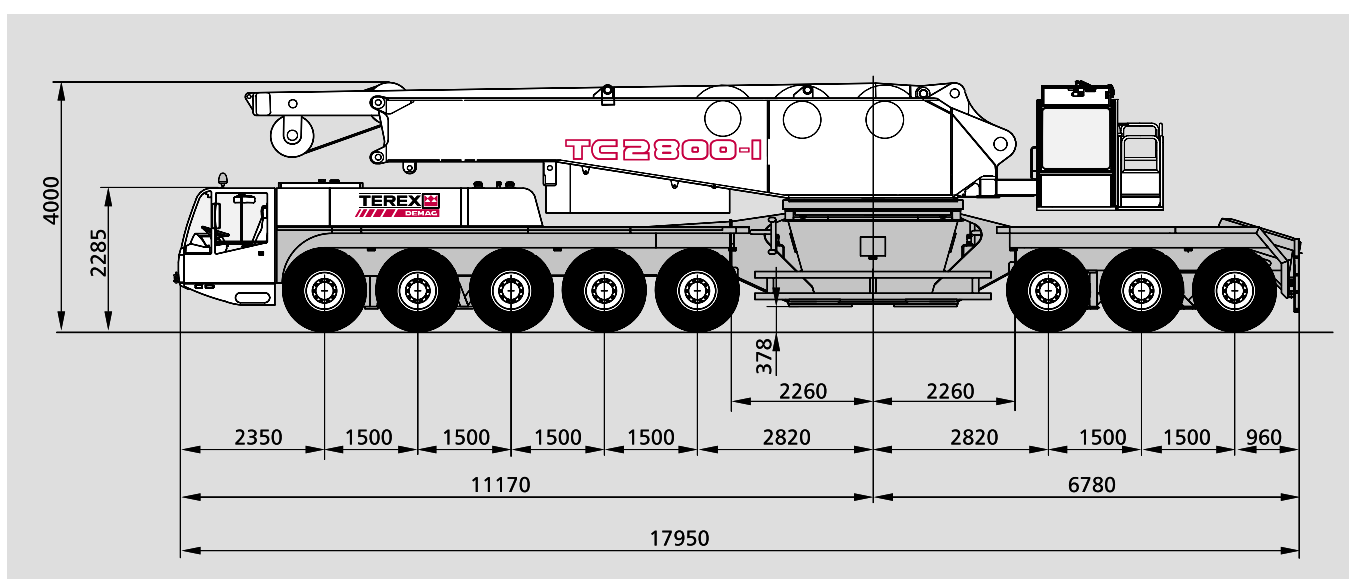
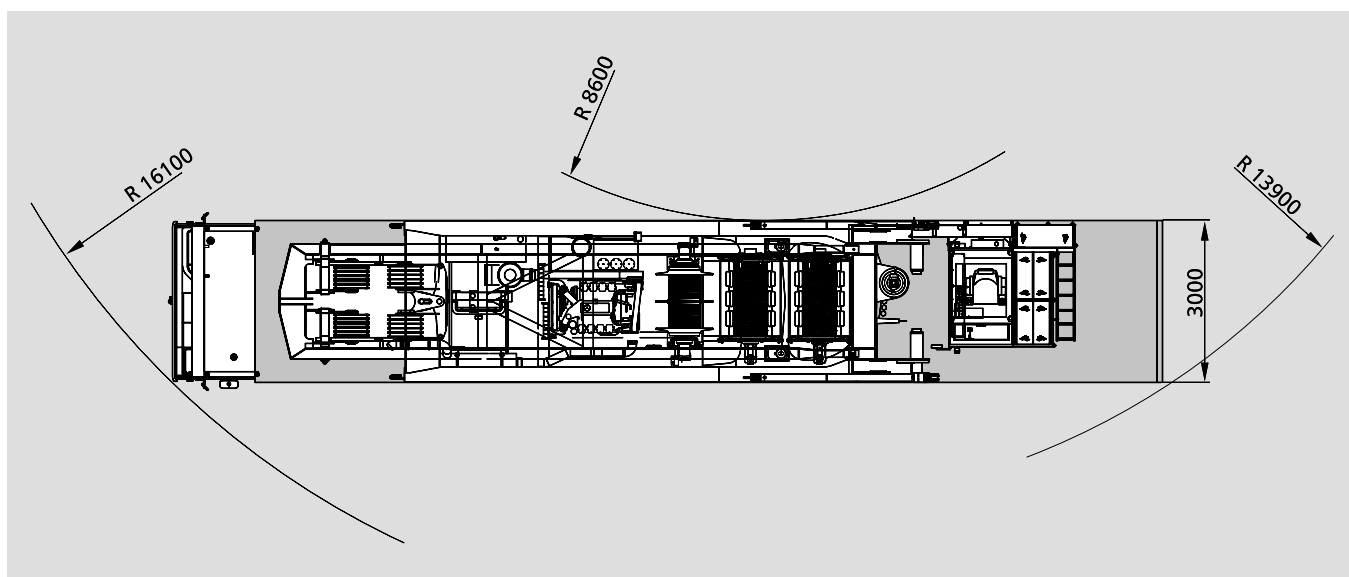


  
**600t**

Hook blocks  
Unterflaschen  
Crochets

Type Typ Type	Possible load Mögliche Traglast Charge possible	Number of sheaves Anzahl der Rollen Nombre de poulies	Number of lines Strangzahl Nombre de brins	Weight Gewicht Poids	„D“
2 x 300 t <sup>1)</sup>	600 t	2 x 11	2 x 22	11 500 kg	5,00 m
2 x 200 t <sup>1)</sup>	400 t	2 x 7	2 x 14	10 000 kg	4,80 m
160 t	160 t	5	11	4 800 kg	4,50 m
100 t	100 t	3	7	3 600 kg	4,30 m
50 t	48 t	1	3	2 800 kg	4,00 m
16 t	16 t	-	1	900 kg	3,00 m

1) The double hook blocks can be converted into single hook blocks  
Die Doppelunterflaschen können in Einzelunterflaschen umgebaut werden  
Les crochets bimoufles peuvent être transformés en crochets simples



# Specifications (Transport)

## Technische Daten (Transport)

### Caractéristiques (Transport)

Axle loads  
Achslasten  
Poids d'essieux

Single axle load  
Gewicht pro Achse  
Poids par essieu max. 12 000 kg

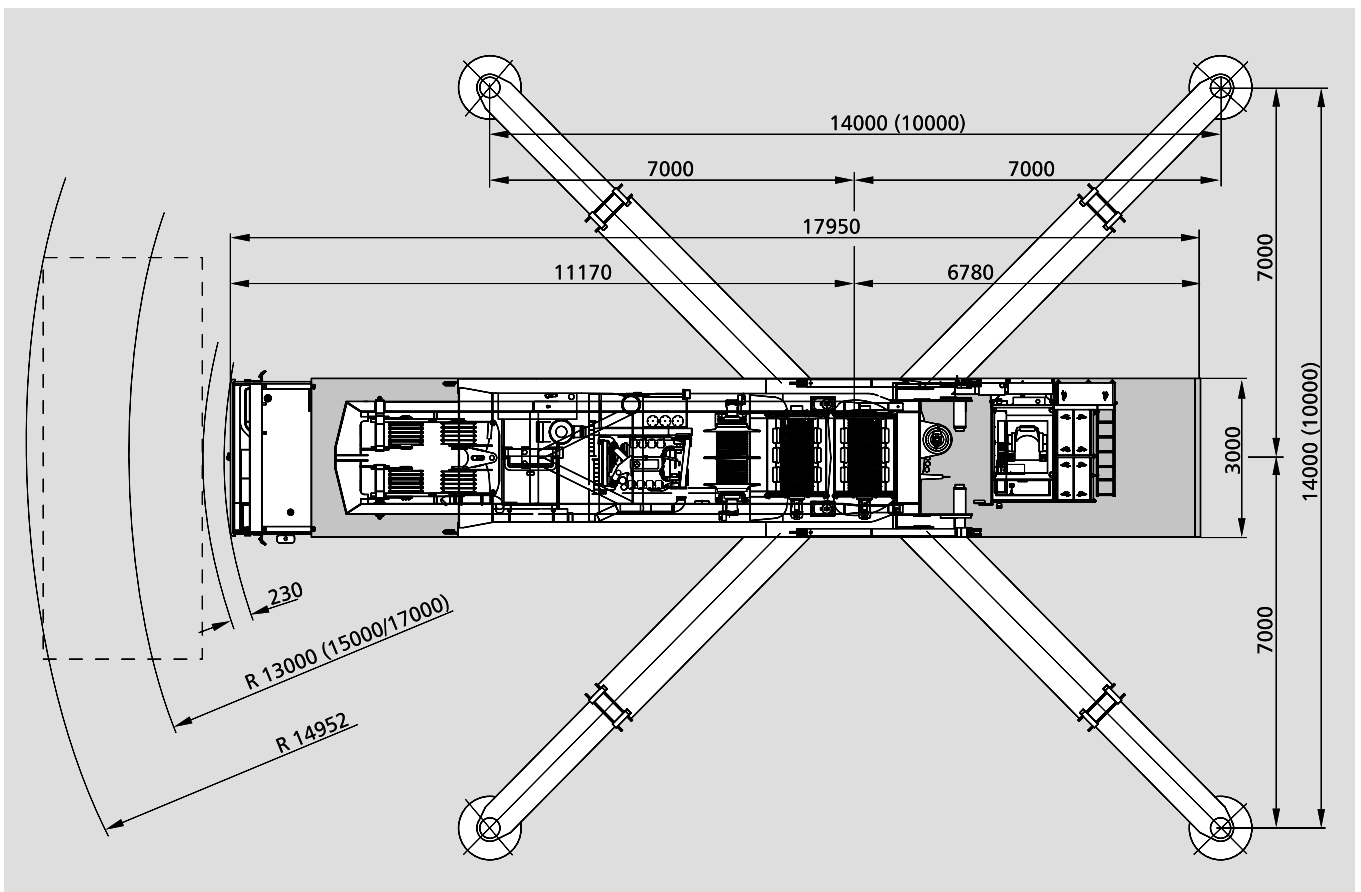
Total  
Gesamt 92 000 kg  
Total

Tyres  
Bereifung  
Pneumatiques

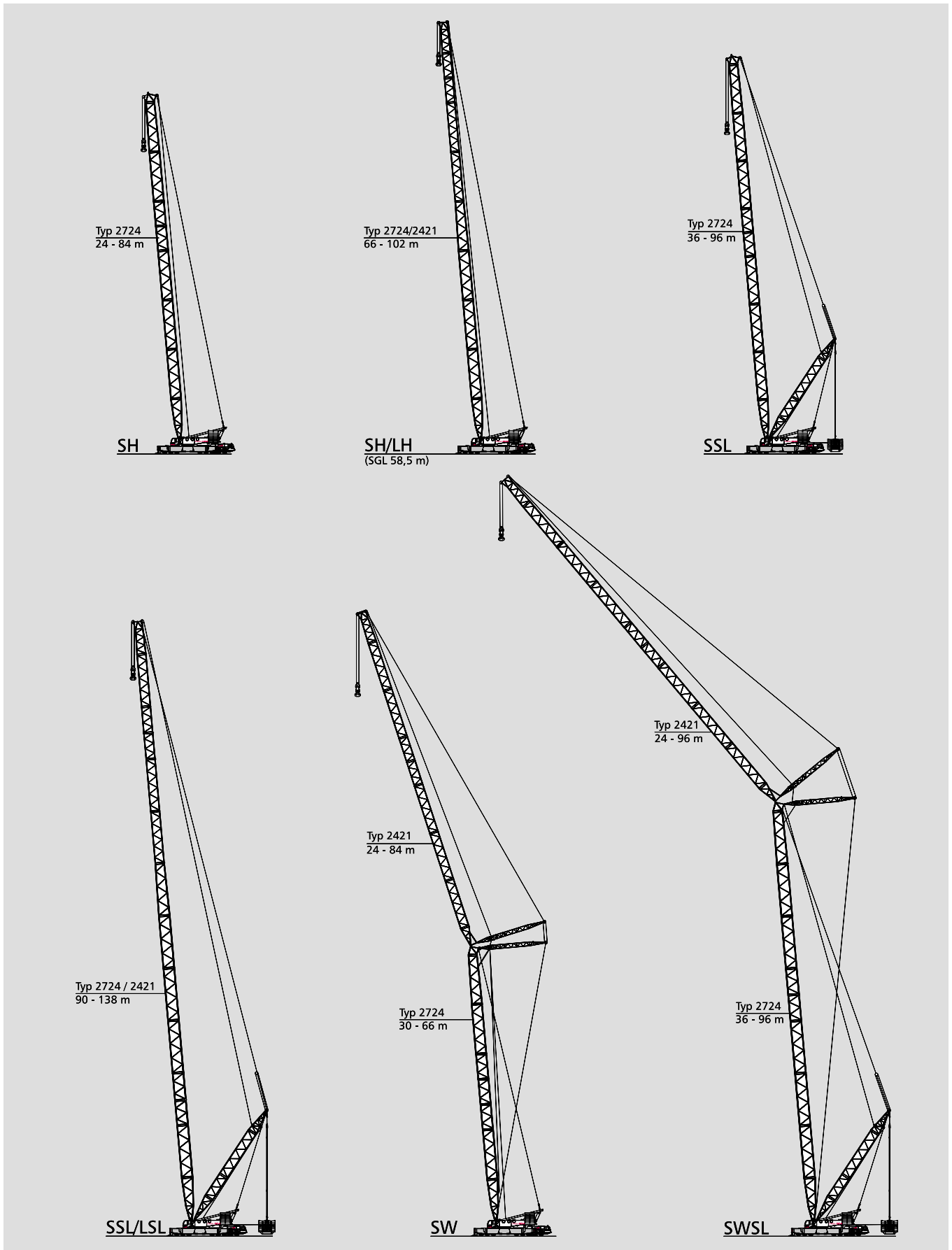
14.00 R 25

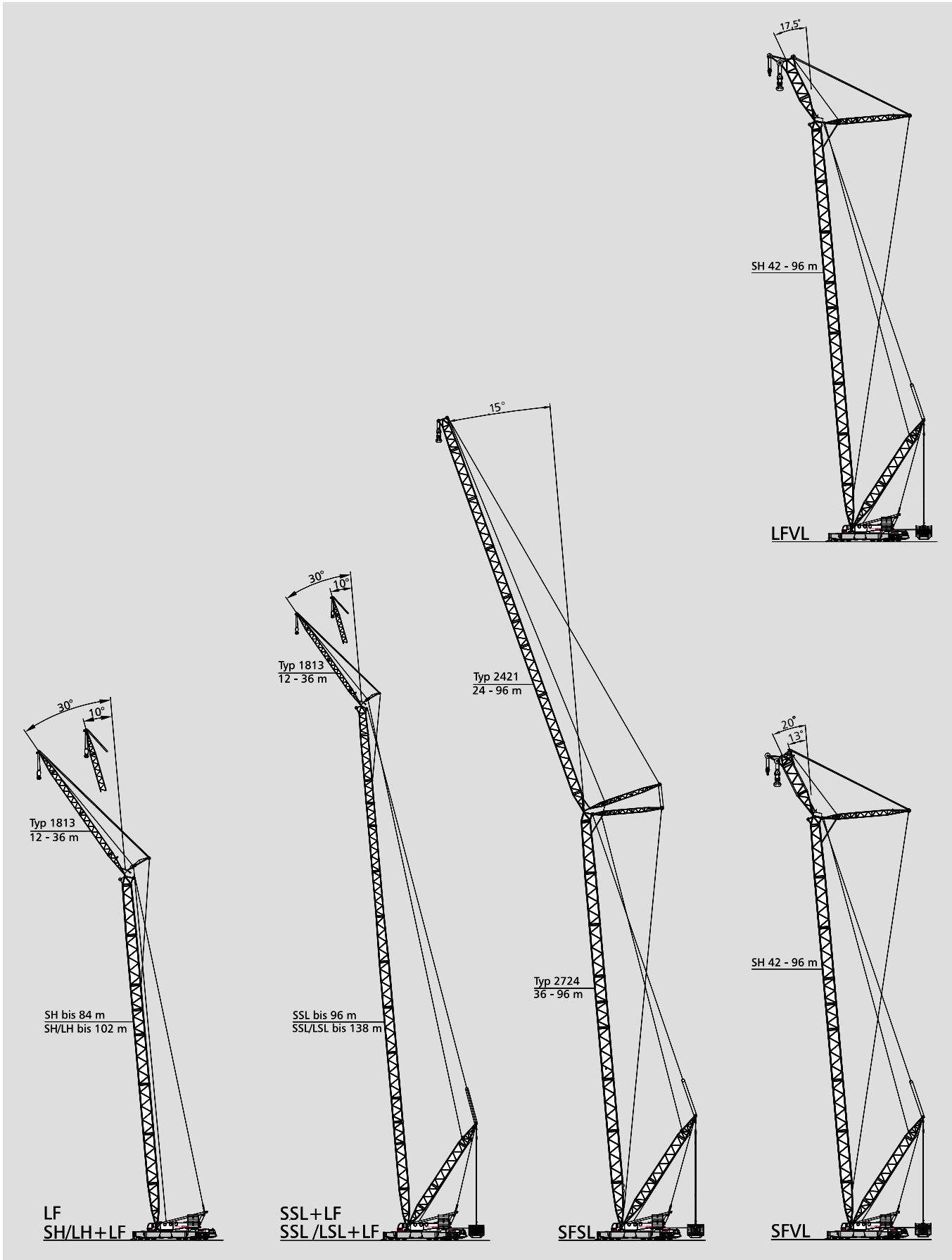
Carrier performance  
Fahrleistungen  
Performances du porteur

Travel speed  
Fahrgeschwindigkeit 0-62 km /h  
Vitesses de translation



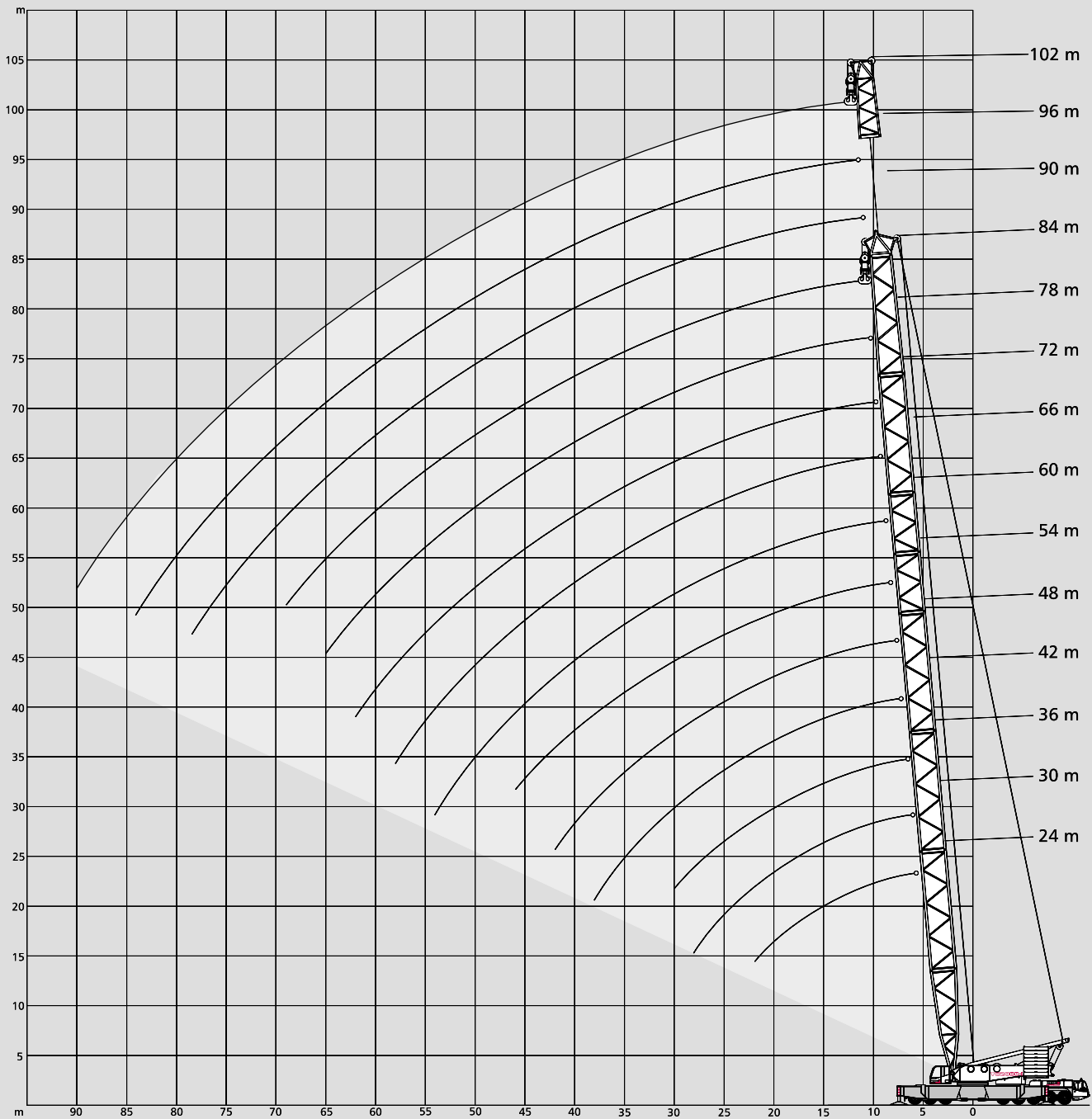
# Boom combinations Ausleger-Kombinationen Combinaisons de flèche





# Working ranges main boom Arbeitsbereiche Hauptausleger Portées flèche principale

SH, SH/LH



# Lifting capacities main boom

## Tragfähigkeiten Hauptausleger

### Capacités de levage flèche principale

200 t 

 14 x 14 m 360°

DIN/ISO

Radius Ausladung		Main boom · Hauptausleger · Flèche principale										
Portée	m	24,0	30,0	36,0	42,0	48,0	54,0	60,0	66,0	72,0	78,0	84,0
		t	t	t	t	t	t	t	t	t	t	t
	6	600,0	-	-	-	-	-	-	-	-	-	-
	7	552,0	549,0	545,0	-	-	-	-	-	-	-	-
	8	508,0	505,0	501,0	498,0	495,0	-	-	-	-	-	-
	9	461,0	457,0	454,0	451,0	449,0	447,0	415,0	-	-	-	-
	10	414,0	411,0	408,0	405,0	403,0	401,0	393,0	343,0	301,0	-	-
	12	337,0	334,0	332,0	329,0	327,0	325,0	324,0	315,0	278,0	256,0	212,0
	14	284,0	281,0	278,0	276,0	274,0	272,0	270,0	269,0	262,0	215,0	210,0
	16	245,0	242,0	239,0	237,0	234,0	232,0	231,0	229,0	228,0	200,0	177,0
	18	214,0	210,0	207,0	204,0	201,0	199,0	198,0	196,0	195,0	185,0	164,0
	20	187,0	186,0	181,0	178,0	176,0	174,0	172,0	170,0	169,0	166,0	152,0
	22	161,0	159,0	157,0	155,0	154,0	153,0	152,0	150,0	148,0	147,0	142,0
SH	24	-	139,0	137,0	135,0	133,0	133,0	132,0	131,0	130,0	130,0	127,0
	26	-	123,0	121,0	119,0	117,0	116,0	115,0	114,0	114,0	113,0	111,0
	28	-	110,0	108,0	106,0	104,0	103,0	102,0	101,0	100,0	99,5	98,0
	30	-	-	97,0	95,0	93,5	92,5	91,5	90,5	89,5	88,5	87,0
	34	-	-	-	78,5	76,5	75,5	74,5	73,5	72,5	71,5	70,0
	38	-	-	-	66,5	64,5	63,0	62,0	60,5	59,5	59,0	57,0
	42	-	-	-	-	55,5	53,5	52,5	51,0	50,0	49,2	47,4
	46	-	-	-	-	-	46,6	45,0	43,7	42,5	41,2	39,2
	50	-	-	-	-	-	-	39,1	37,5	36,0	34,7	32,6
	54	-	-	-	-	-	-	34,2	32,4	30,7	29,3	27,2
	58	-	-	-	-	-	-	28,2	26,3	24,8	22,7	
	62	-	-	-	-	-	-	-	22,7	21,1	18,9	
	66	-	-	-	-	-	-	-	-	18,0	15,7	
	70	-	-	-	-	-	-	-	-	-	15,5	13,0
	74	-	-	-	-	-	-	-	-	-	-	10,8
	78	-	-	-	-	-	-	-	-	-	-	-

160 t 

 14 x 14 m 360°

DIN/ISO

Radius Ausladung		Main boom · Hauptausleger · Flèche principale										
Portée	m	24,0	30,0	36,0	42,0	48,0	54,0	60,0	66,0	72,0	78,0	84,0
		t	t	t	t	t	t	t	t	t	t	t
	6	600,0	-	-	-	-	-	-	-	-	-	-
	7	549,0	545,0	542,0	-	-	-	-	-	-	-	-
	8	496,0	493,0	490,0	487,0	484,0	-	-	-	-	-	-
	9	440,0	437,0	434,0	431,0	429,0	427,0	415,0	-	-	-	-
	10	391,0	388,0	385,0	382,0	380,0	378,0	377,0	343,0	301,0	-	-
	12	318,0	316,0	313,0	310,0	308,0	306,0	305,0	290,0	276,0	256,0	212,0
	14	268,0	265,0	262,0	260,0	258,0	256,0	247,0	237,0	227,0	215,0	208,0
	16	231,0	228,0	225,0	223,0	220,0	215,0	207,0	199,0	191,0	184,0	177,0
	18	189,0	187,0	186,0	184,0	183,0	183,0	177,0	170,0	164,0	158,0	152,0
	20	158,0	156,0	155,0	153,0	152,0	151,0	150,0	148,0	143,0	138,0	133,0
	22	135,0	133,0	132,0	130,0	129,0	128,0	127,0	126,0	126,0	122,0	118,0
SH	24	-	116,0	114,0	112,0	111,0	110,0	109,0	108,0	108,0	107,0	105,0
	26	-	102,0	100,0	98,5	97,0	96,0	95,5	94,5	93,5	93,0	91,5
	28	-	92,0	89,5	87,5	86,0	85,0	84,0	83,0	82,0	81,5	80,0
	30	-	-	80,5	78,5	76,5	75,5	74,5	73,5	73,0	72,0	70,5
	34	-	-	-	64,5	62,5	61,0	60,0	59,0	58,0	57,0	55,5
	38	-	-	-	54,0	52,0	50,5	49,6	48,5	47,5	46,6	44,6
	42	-	-	-	-	44,6	42,9	41,5	40,2	38,9	37,7	35,7
	46	-	-	-	-	-	36,7	34,9	33,4	32,0	30,8	28,7
	50	-	-	-	-	-	-	29,7	28,0	26,5	25,2	23,1
	54	-	-	-	-	-	-	25,5	23,7	22,0	20,6	18,5
	58	-	-	-	-	-	-	20,2	18,3	16,8	14,6	
	62	-	-	-	-	-	-	-	15,3	13,7	11,4	
	66	-	-	-	-	-	-	-	-	11,1	8,8	
	70	-	-	-	-	-	-	-	-	9,0	6,6	

200 t



14 x 14 m 360°

DIN/ISO

Radius Ausladung		Main boom · Hauptausleger · Flèche principale							
Portée	m	66,0	72,0	78,0	84,0	90,0	96,0	102,0	
		t	t	t	t	t	t	t	
	9	298,0	-	-	-	-	-	-	
	10	298,0	268,0	202,0	-	-	-	-	
	12	283,0	268,0	202,0	169,0	154,0	137,0	-	
	14	236,0	220,0	178,0	150,0	154,0	137,0	108,0	
	16	209,0	193,0	158,0	133,0	142,0	127,0	103,0	
	18	184,0	170,0	140,0	119,0	131,0	118,0	98,5	
	20	162,0	150,0	125,0	107,0	123,0	110,0	93,5	
	22	145,0	134,0	112,0	96,0	115,0	104,0	89,0	
	24	134,0	123,0	102,0	87,0	109,0	98,0	84,5	
	26	120,0	114,0	95,0	80,0	103,0	93,0	80,0	
	28	107,0	105,0	88,0	73,0	97,0	89,0	75,5	
SH / LH	30	96,5	96,0	81,5	67,5	92,0	84,0	71,5	
	34	79,0	79,0	69,5	58,0	77,0	76,0	64,0	
	38	66,5	66,0	60,0	49,4	64,5	63,0	57,5	
	42	57,0	56,5	51,0	41,5	54,5	54,0	51,5	
	46	49,3	48,8	45,0	35,0	47,0	46,4	45,6	
	50	43,0	42,0	39,0	31,0	40,6	40,0	39,6	
	54	38,0	37,0	34,0	27,0	35,3	34,5	34,0	
	58	33,8	33,0	30,0	25,0	30,6	29,8	29,3	
	62	-	29,0	26,0	22,0	26,6	25,8	25,2	
	66	-	-	22,0	19,0	23,2	22,4	21,8	
	70	-	-	18,0	16,0	20,3	19,4	18,6	
	74	-	-	-	12,0	17,8	16,9	15,5	
	78	-	-	-	-	15,5	14,6	12,7	
	82	-	-	-	-	-	12,6	10,4	
	86	-	-	-	-	-	-	8,4	
	90	-	-	-	-	-	-	6,8	

2

160 t



14 x 14 m 360°

DIN/ISO

Radius Ausladung		Main boom · Hauptausleger · Flèche principale							
Portée	m	66,0	72,0	78,0	84,0	90,0	96,0	102,0	
		t	t	t	t	t	t	t	
	9	298,0	-	-	-	-	-	-	
	10	298,0	268,0	202,0	-	-	-	-	
	12	283,0	268,0	202,0	169,0	154,0	137,0	-	
	14	236,0	220,0	178,0	150,0	154,0	137,0	108,0	
	16	202,0	193,0	158,0	133,0	142,0	127,0	103,0	
	18	174,0	168,0	140,0	119,0	131,0	118,0	98,5	
	20	152,0	148,0	125,0	107,0	123,0	110,0	93,5	
	22	132,0	131,0	112,0	96,0	115,0	104,0	89,0	
	24	114,0	114,0	102,0	87,0	108,0	98,0	84,5	
	26	100,0	100,0	95,0	80,0	97,5	93,0	80,0	
	28	89,0	89,0	88,0	73,0	87,5	86,0	75,5	
SH / LH	30	79,5	79,5	79,0	67,5	78,0	77,5	71,5	
	34	65,0	64,5	64,5	58,0	63,0	62,5	62,5	
	38	54,0	54,0	53,5	49,4	52,0	51,5	51,0	
	42	46,0	45,6	45,2	41,5	43,8	43,3	42,9	
	46	39,4	39,0	38,6	35,0	37,1	36,5	36,0	
	50	34,1	33,6	33,1	31,0	31,4	30,6	30,1	
	54	29,7	29,0	28,4	27,0	26,6	25,8	25,3	
	58	25,9	25,2	24,5	23,4	22,6	21,8	21,2	
	62	-	21,9	21,2	20,0	19,2	18,4	17,8	
	66	-	-	18,4	17,2	16,3	15,5	14,8	
	70	-	-	16,0	14,7	13,8	12,9	12,3	
	74	-	-	-	12,0	11,7	10,8	10,1	
	78	-	-	-	-	9,8	8,8	8,1	
	82	-	-	-	-	-	7,2	6,4	
	86	-	-	-	-	-	-	4,9	
	90	-	-	-	-	-	-	-	