

MANITEX VALLA 35 D



Diesel operated Arm Lift Mobile Crane Max. Capacity **Kg. 3.500**



Valla	
OUT REACH (mm)	CAPACITY (kg)
1.000	2.000
3.000	700
5.000	400

TECHNICAL DATA

CRANE FRAME: Five wheels frame fabricated from preformed and welded steel plate with built-in counterweight.

TRACTION: 3 cylinders, water cooled diesel engine 22 HP 17 kW

HYDRAULIC SYSTEM: in own enclosed circuit powered by a gear pump through two control valves, lever operated, 1 for boom raise and lower, 1 for boom extending and retraction. Fitted with safety valves and filters. Maximum hydraulic pressure 180 Bar.

BRAKES: hydraulically controlled foot operating brake. Lever mechanically controlled parking brake.

DRIVE: by 180° steering helm. Complete with safety device on backward.

WHEELS: Nr. 1 rear cushion 343x114 e Nr. 2 front cushion 300 x 160

BOOM: boom fabricated from preformed and welded quality steel plate. Five telescoping sections: 1 fixed; 2 hydraulically telescoping and 2 manually telescoping. Fitted with nylon wear pads adjustable wear pads on the sides.

BOOM CONTROL: Distributor by proportional levers.

LMI: Electronic Load Moment Indicator. Display showing lifted load, max allowed load, tilting percentage, operating radius, angle, telescope and light indicators on the operative mode.

TOTAL WEIGHT: approx. kg. 2.500 **MAX. CAPACITY:** kg. 3.500

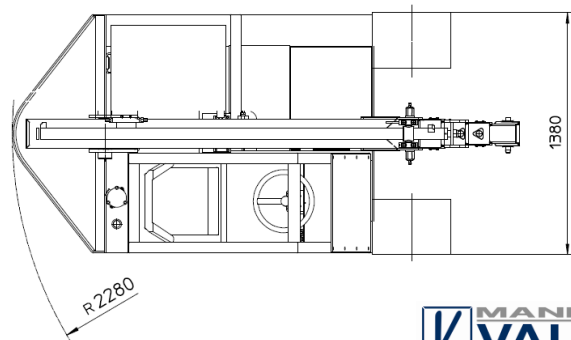
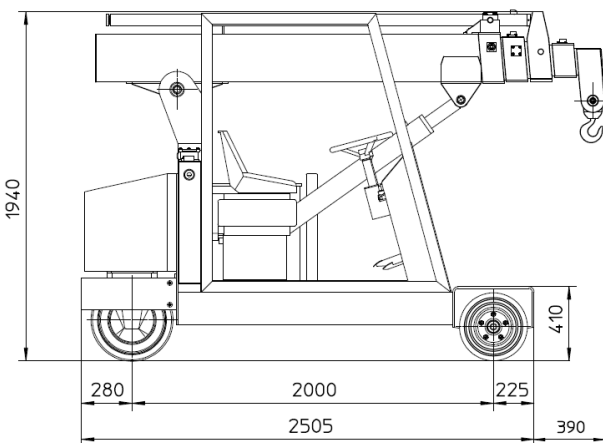
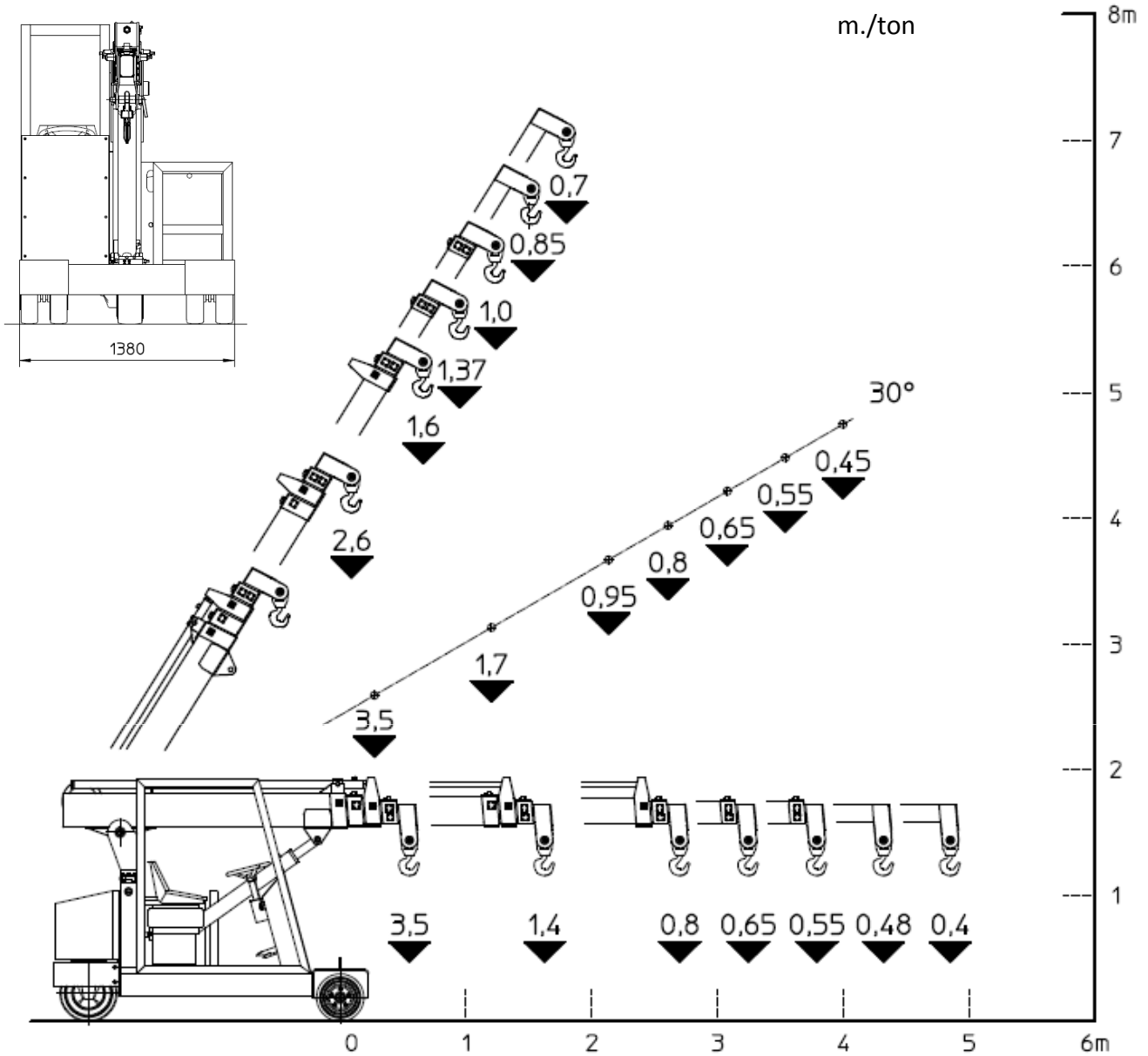
Options on request: hydraulic winch; chain hoists; carry-deck; manual and hydraulic jibs; cable remote control; radio remote control; working light; fire extinguisher; fully hydraulic boom.



MANITEX VALLA 35 D



Crane complies with the following standard:
 -2006/42/CE
 -UNIEN13000
 -I.S.P.E.S.L.



Valla – division of CVS Ferrari Srl
 Via Piacenza, 45 – 29010 Calendasco – Piacenza – ITALIA
 Tel. 0039 0523 762025 – 762004 – Fax 0039 0523 760531
 Internet: www.valla.com – email: info@valla.com

Data subject to be changed without any previous notice. Pictures may differ from technical description.