

Valla 75 E



Electric battery operated Mobile Crane Max. Capacity **Lbs. 16,500**



Valla

OUTREACH (Ft)	CAPACITY (Lbs.)
6	8,400
9	5,200
15	2,400



TECHNICAL DATA

CRANE FRAME: six-wheelers frame fabricated from preformed and welded steel plate with built-in counterweight.

TRACTION: by DC 8 kw 48V reversible electric motor, controlled by inverter, electro magnetic control on disk brake.

BATTERY: 48V-575Ah battery, battery meter on dashboard.

BRAKES: hydraulically controlled foot operating brake. Lever mechanically controlled parking brake.

SUSPENSION: oscillating rear axle with mechanical lock.

STEERING: power steering with hydraulic cylinder and 140° articulation. Safety valves and filter.

WHEELS: nr. 2 rear superelastic 6.50 R10" and nr. 4 front superelastic 21 x 8 R9".

BOOM: boom fabricated from preformed and welded quality steel plate. Nr.4 telescoping sections: 1 fixed; 3 hydraulically telescoping. Fitted with nylon wear pads adjustable wear pads on the sides.

BOOM CONTROL: distributor by proportional levers. Motor driven pump 5kW 24V.

LMI: electronic Load Moment Indicator. Display showing lifted load, max allowed load, tilting percentage, operative radius, angle, telescope and light indicators on the operative mode.

TOTAL WEIGHT: approx. Lbs. 14,500

MAX. CAPACITY: Lbs. 16,500

Options on request: hydraulic winch; chain hoists; carry-deck; battery charger (on board and stand-alone); manual and hydraulic jibs; cable remote control; radio remote control; man bucket and relevant certification as aerial platform; full set of road lights, non marking tires.

Data subject to be changed without any previous notice. Pictures may differ from technical description.

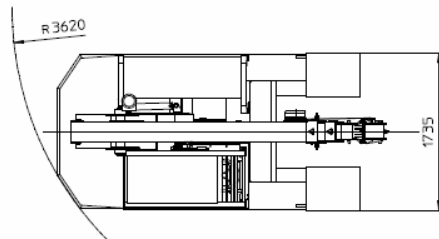
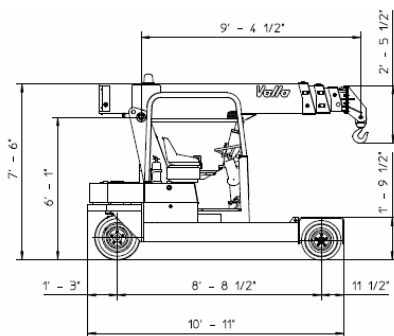
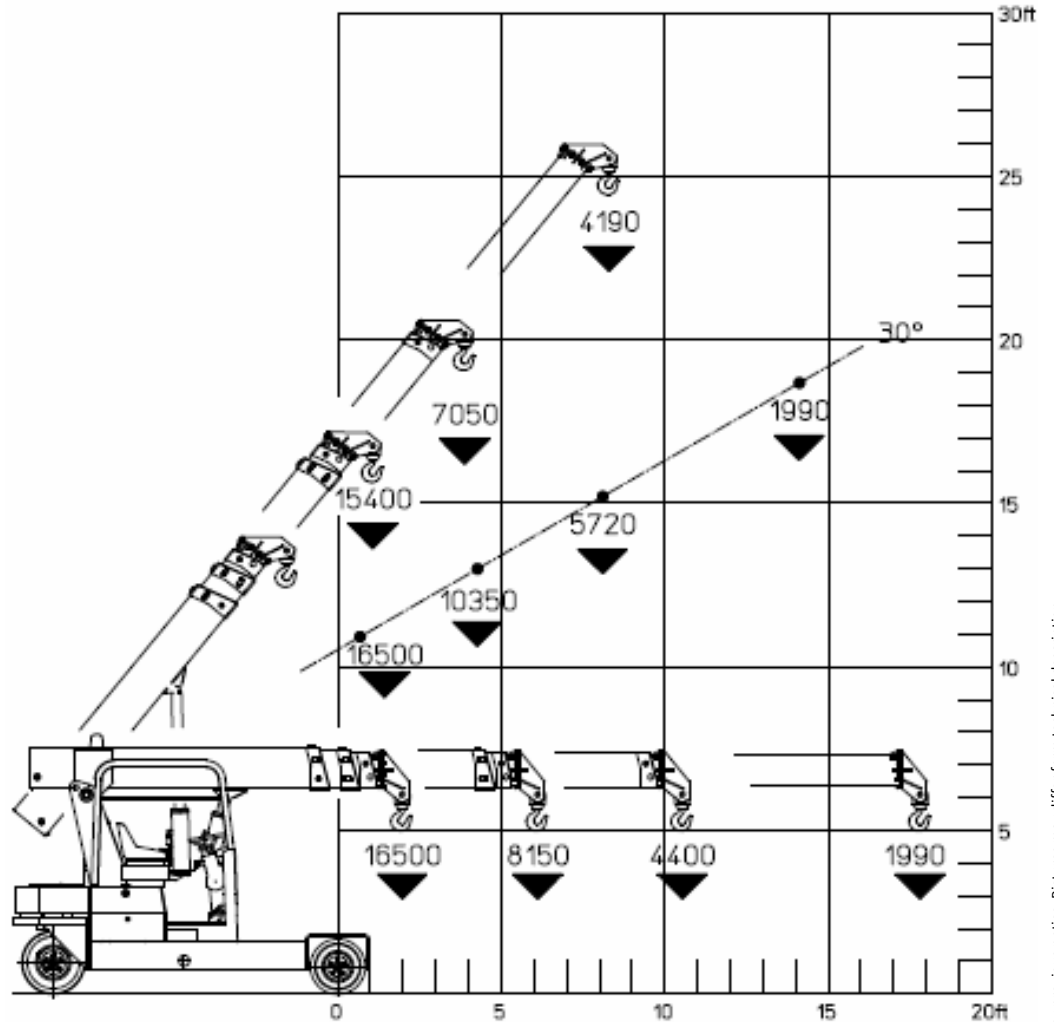
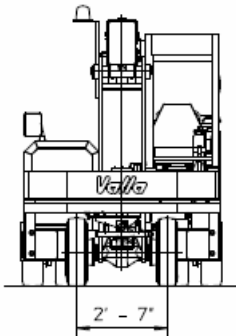
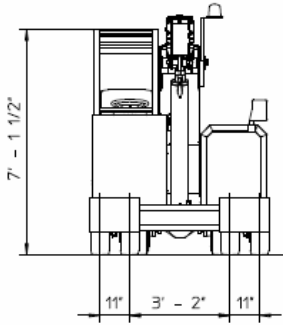
Valla



75 E



VALLA mobile crane mod. 75E complies with the following standards:
 -2006/42/CE
 -UNIEN13000
 -I.S.P.E.S.L.



Lbs./ft



Valla a division of CVS Ferrari Srl
 Via Piacenza, 45 - 29010 Calendasco (Piacenza) - ITALIA
 Tel. +39 0523 762025 / 752004 - Fax +39 0523 760531
 e-mail: info@valla.com - www.valla.com

Data subject to be changed without any previous notice. Pictures may differ from technical description.