



English

RIGANTE

RIGANTE TECNOLOGIE di M. D.

The "RIGANTE" diesel Mobile Cranes from 3 to 15 ton.



RIGANTE S.A.S.

**MANUFACTURING MOBILE CRANES
from 3 to 12 ton.**

USED MOBILE CRANES and FORKLIFT

- RIGANTE TELESCOPIC MOBILE CRANES -

**where maneuverability and agility is required in to small
work area with to big load.**

We produce also Electric Mobile Cranes



CERTIFIED OF CONFORMITY
N. 891952 98137ICE



FEM 1.001
FEM 5.004 CERTIFIED



UNI EN 292-1
UNI 9309-2

RIGANTE TECNOLOGIE di M.D. – Address : Via G.Bovio 334 I- 76011 BISCEGLIE (BA) ITALY
Tel. +39 (0) 80 – 3955781 - FAX +39 (0) 80 – 2140260

P.Iva / VAT : I - 07392440728 – www.rigante.it info@rigante.it

In accordance with our policy of constant improvement, we reserve the right to amend this specification at any time without notice.

DIESEL MOBILE CRANE PRESENTATION

The **RIGANTE** Co. is a Pick-n Carry Mobile Cranes manufacturer company since 1992.

These Cranes are built to lift from 3 to 15 Ton., and have been engineered to solve the most difficult problems relating to outside storages and narrow isles warehousing.

The RIGANTE CRANES are built strong :

- Equipped with a diesel engine.
- Pollution-free, quiet and user friendly.
- Economical, easy and safe to operate.

These Cranes are used mostly in fields such as :

- Industrial and commercial construction,
- Ship-yards, glass factories, Bulk material, handling,
- Industrial assembling and maintenance.

and in many sectors where maneuverability is required in to small work area with to big load.



For further information about Technical characteristics, new and used promotional sales and financing, we will be pleased to assist you at our best.

Hoping in hearing from you at your earliest convenience,
Yours Truly.



CERTIFIED OF CONFORMITY
N. 89/392 98/37/CE



RIGANTE TECNOLOGIE di M.D. – Address : Via G.Bovio 334 I- 76011 BISCEGLIE (BA) ITALY
Tel. +39 (0) 80 – 3955781 - FAX +39 (0) 80 – 2140260

P.Iva / VAT : I - 07392440728 – www.rigante.it info@rigante.it

Model Type GR30-D

The RIGANTE Mobile Crane GR30-D max. 3,000 Kg., specification :

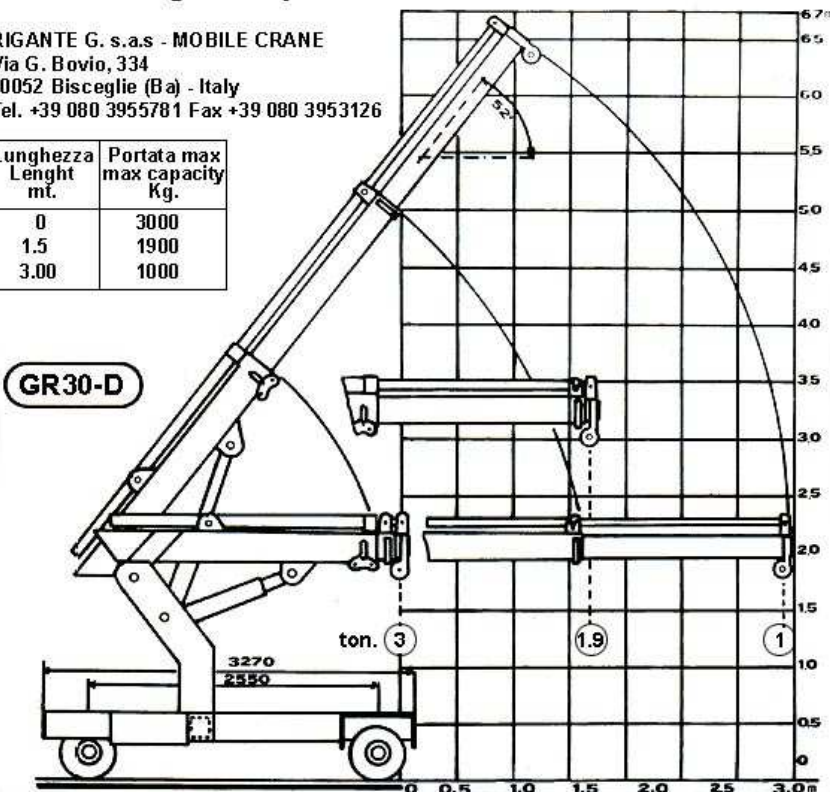
- Equipped with one extending hydraulic arm and a manual arm, total utility run of about 2,90 mt.
- 22 Kw. Diesel Engine water cooling LOMBARDINI made, with an electric starter unit.
- Power steering wheel system mounted on a rotating platform.
- An Hydraulic rear wheel drive and a reducer unit system.
- The emergency anterior hydraulic brakes is located anterior wheels.



Diagramma portate Test-chart GR 30-D

RIGANTE G. s.a.s - MOBILE CRANE
Via G. Bovio, 334
70052 Bisceglie (Ba) - Italy
Tel. +39 080 3955781 Fax +39 080 3953126

Lunghezza Lenght mt.	Portata max max capacity Kg.
0	3000
1.5	1900
3.00	1000



- Hydraulic lifting and extending arm Circuit system, with safe stopping valves.

- Total utility run of about 2,90 mt.

- Operator safety cabin "CE" approved.

- Operating utility coverage area of about L. 4,40 x 1,85 H. 2,30 mt.

P.s. Note: Our cranes are built for hard surface machinery only.

Model Type GR40-D

The RIGANTE Mobile Crane GR40-D max. 4.000 Kg., specification :

- Equipped with one extending hydraulic arm and a manual arm, total utility run of about 3,00 mt.
- 24,6 Kw. Diesel Engine water cooling LOMBARDINI made, with an electric starter unit.
- Power steering wheel system mounted on a rotating platform.
- An Hydraulic rear wheel drive and a reducer unit system.
- The emergency anterior hydraulic brakes is located anterior wheels.

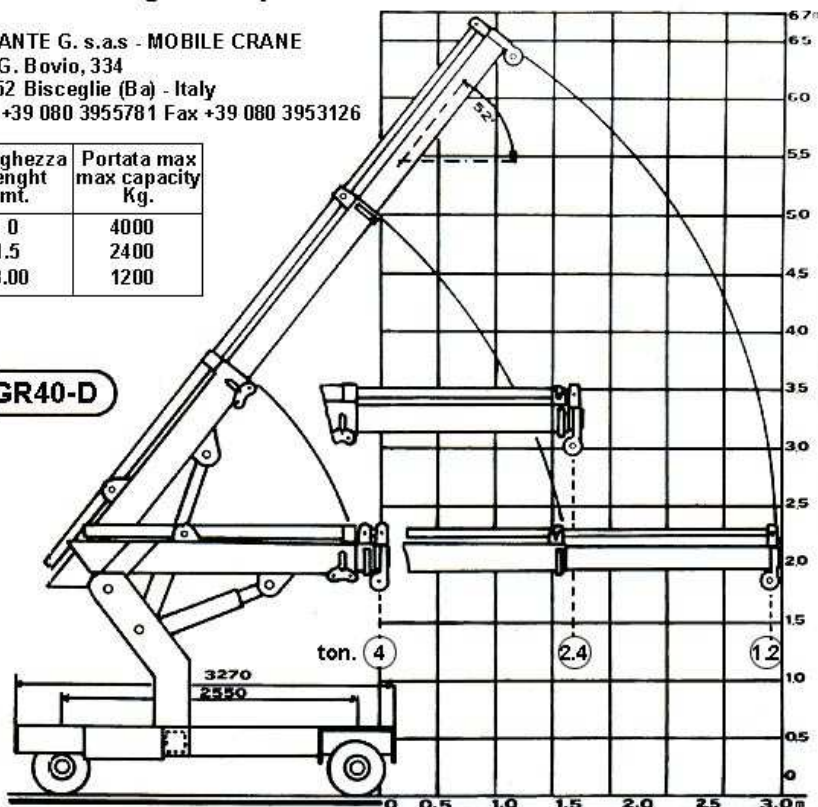


Diagramma portate Test-chart GR 40-D

RIGANTE G. s.a.s - MOBILE CRANE
Via G. Bovio, 334
70052 Bisceglie (Ba) - Italy
Tel. +39 080 3955781 Fax +39 080 3953126

Lunghezza Lenght m.	Portata max max capacity Kg.
0	4000
1.5	2400
3.00	1200

GR40-D



- Hydraulic lifting and extending arm Circuit system, with safe stopping valves.

- Operator safety cabin "CE" approved.

- Operating utility coverage area of about L. 4,40 x 1,90 H. 2,35 mt.

P.s. Note: Our cranes are built for hard surface machinery only.

Model Type GR50-D

The RIGANTE Mobile Crane GR50-D – 5,000 Kg. Specification

- Equipped with a double sliding and extending hydraulic arms.
- Total utility run of about 3,20 mt.
- a 29 Kw. Diesel Engine air cooling, HATZ made, with an electric starter unit.
- A dual hydraulic rear-wheel drive system and a reducer unit.
- The emergency anterior hydraulic brakes is located anterior wheels.

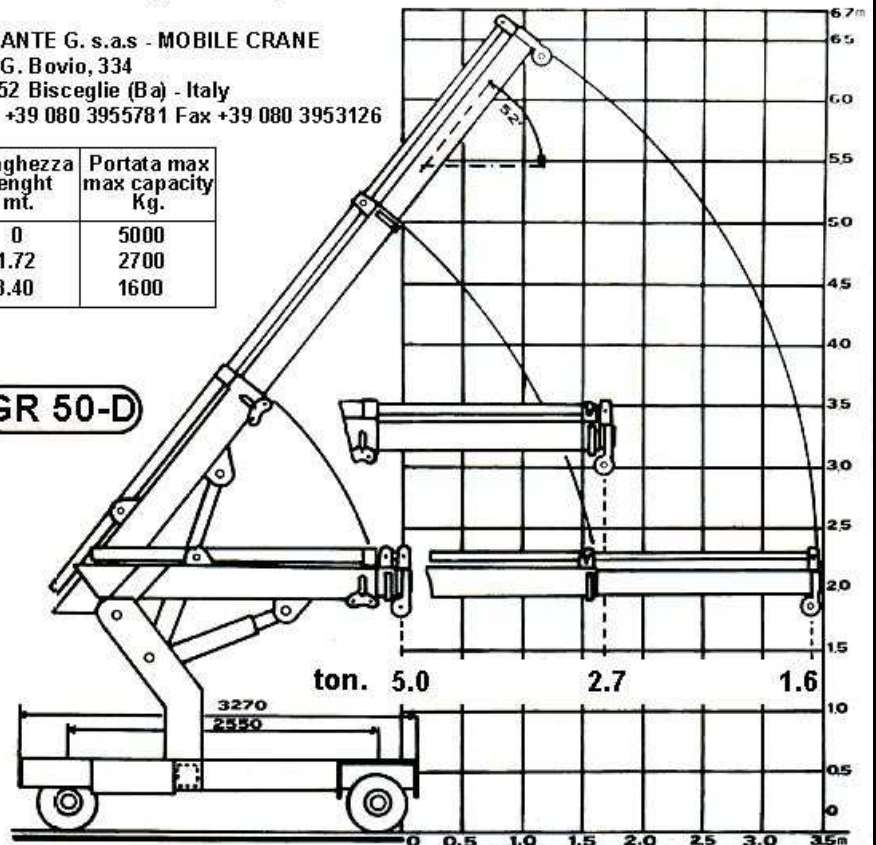


Diagramma portate Test-chart GR 50-D

RIGANTE G. s.a.s - MOBILE CRANE
Via G. Bovio, 334
70052 Bisceglie (Ba) - Italy
Tel. +39 080 3955781 Fax +39 080 3953126

Lunghezza Lenght mt.	Portata max max capacity Kg.
0	5000
1.72	2700
3.40	1600

GR 50-D



- Hydraulic lifting and extending arm circuit system with safe stopping valves.
- Operator safety cabin "CE" approved.
- Power steering wheel system mounted on a rotating platform.
- Operating utility coverage area of about L. 4,40 x 1,90 H. 2,40 mt.

P.s. Note: Our cranes are built for hard surface machinery only.

Model Type GR70-D

The RIGANTE Mobile Crane GR70-D – 7,000 Kg. Specification

- Equipped with a double sliding and extending hydraulic arms.
- Total utility run of about 3,20 mt.
- a 31 Kw. Diesel Engine air cooling, HATZ made, with an electric starter unit.
- A dual hydraulic rear-wheel drive system and a reducer unit.
- The emergency anterior hydraulic brakes is located anterior wheels.

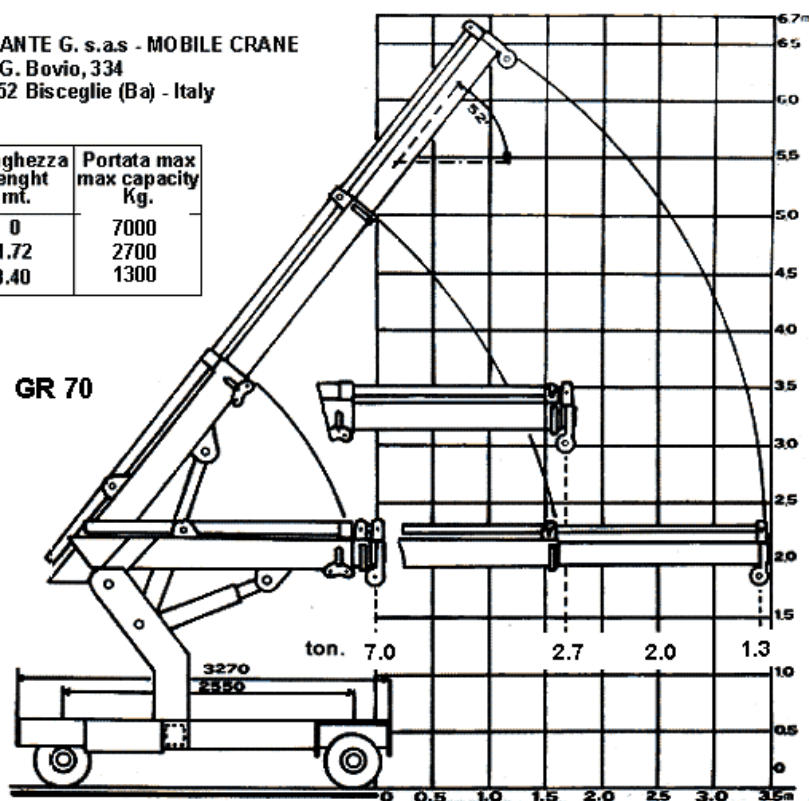


Diagramma Portate - Test-chart

RIGANTE G. s.a.s - MOBILE CRANE
Via G. Bovio, 334
70052 Bisceglie (Ba) - Italy

Lunghezza Lenght mt.	Portata max max capacity Kg.
0	7000
1.72	2700
3.40	1300

GR 70



- Hydraulic lifting and extending arm circuit system with safe stopping valves.
- Operator safety cabin "CE" approved.
- Power steering wheel system mounted on a rotating platform.
- Operating utility coverage area of about L. 4,50 x 1,90 H. 2,40 mt.

P.s. Note: Our cranes are built for hard surface machinery only.

Model Type GR80-D

The RIGANTE Mobile Crane GR 80 – 8,000 Kg. Specification

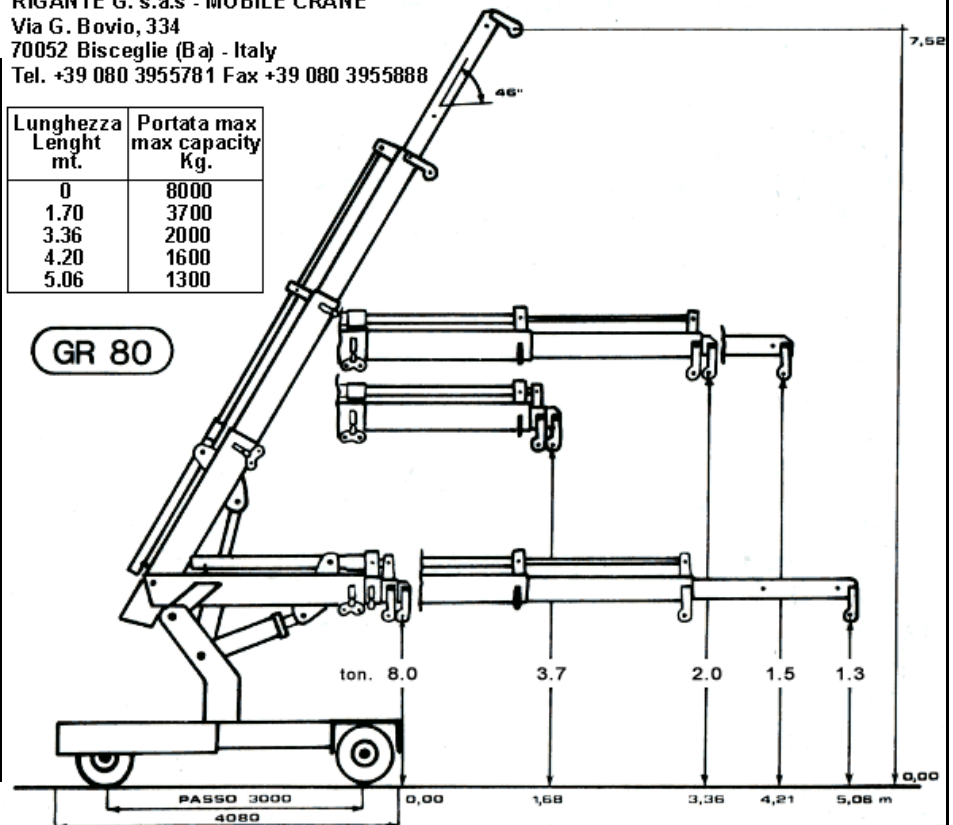
- Equipped with a double sliding extending Hydraulic arms and a manual arm
- Total utility run of about 5,20 mt.
- a 33,0 Kw. Diesel Engine air cooling, HATZ made, with an electric starter unit.
- A dual hydraulic rear- wheel drive system and a reducer unit.



Diagramma portate Test-chart GR 80

RIGANTE G. s.a.s - MOBILE CRANE
Via G. Bovio, 334
70052 Bisceglie (Ba) - Italy
Tel. +39 080 3955781 Fax +39 080 3955888

Lunghezza Lenght mt.	Portata max max capacity Kg.
0	8000
1.70	3700
3.36	2000
4.20	1600
5.06	1300



- The emergency anterior hydraulic brakes is located anterior wheels.
- Hydraulic lifting and extending arm circuit system with safe stopping valves.
- Operator safety cabin "CE" approved.
- Power steering wheel system mounted on a rotating platform.
- Operating utility coverage area of about L. 4,60 x 2,10 H. 2,55 mt.

P.s. Note: Our cranes are built for hard surface machinery only.

Model Type GR100-D

The RIGANTE Mobile Crane GR100-D – 10.000 Kg. Specification

- Equipped with a double sliding extending Hydraulic arms and a manual arm
- Total utility run of about 5,10 mt.
- a 36 Kw. Diesel Engine air cooling, HATZ made, with an electric starter unit.

A dual hydraulic rear- wheel drive system and a reducer unit.



- The emergency anterior hydraulic brakes is located anterior wheels.
- Hydraulic lifting and extending arm circuit system with safe stopping valves.
- Operator safety cabin "CE" approved.
- Power steering wheel system mounted on a rotating platform.
- Operating utility coverage area of about L. 4,70 x 2,10 H. 2,55 mt.

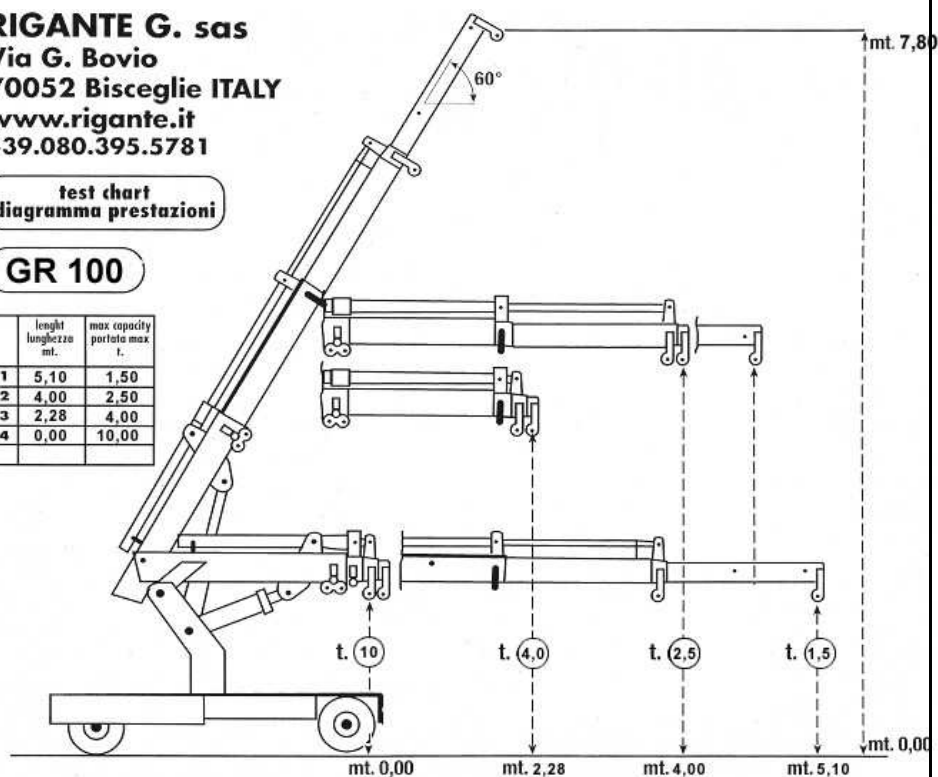
P.s. Note: Our cranes are built for hard surface machinery only.

RIGANTE G. sas
Via G. Bovio
70052 Bisceglie ITALY
www.rigante.it
+39.080.395.5781

test chart
diagramma prestazioni

GR 100

	length lunghezza mt.	max capacity portata max t.
1	5,10	1,50
2	4,00	2,50
3	2,28	4,00
4	0,00	10,00



Model Type GR120-D

The RIGANTE Mobile Crane GR120-D – 12.000 Kg. Specification

- Equipped with a double sliding extending Hydraulic arms and a manual arm
- Total utility run of about 5,10 mt.
- a 36 Kw. Diesel Engine air cooling, HATZ made, with an electric starter unit.

A dual hydraulic rear- wheel drive system and a reducer unit.



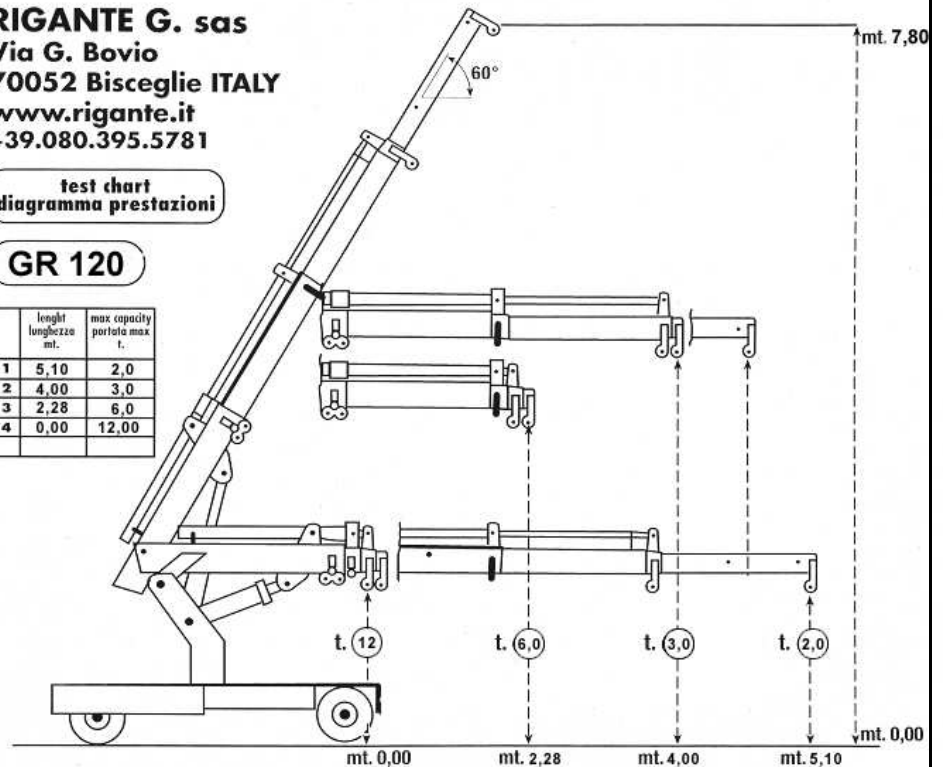
- The emergency anterior hydraulic brakes is located anterior wheels.
 - Hydraulic lifting and extending arm circuit system with safe stopping valves.
 - Operator safety cabin "CE" approved.
 - Power steering wheel system mounted on a rotating platform.
 - Operating utility coverage area of about L. 4,80 x 2,20 H. 2,60 mt.
- P.s. Note: Our cranes are built for hard surface machinery only.

RIGANTE G. sas
Via G. Bovio
70052 Bisceglie ITALY
www.rigante.it
+39.080.395.5781

test chart
diagramma prestazioni

GR 120

	length lunghezza mt.	max capacity portata max t.
1	5,10	2,0
2	4,00	3,0
3	2,28	6,0
4	0,00	12,00



MODEL TYPE GR150-D

The RIGANTE Mobile Crane
GR150-D – 15.000 Kg.
Specification :

- Equipped with a double sliding extending Hydraulic arms and a manual arm
- Total utility run of about 5,40 mt.
- a 39 Kw. Diesel Engine air cooling, HATZ made, with an electric starter unit.

A dual hydraulic rear- wheel drive system and a reducer unit.



RIGANTE G. sas
Via G. Bovio
70052 Bisceglie ITALY
www.rigante.it
+39.080.395.5781

test chart
diagramma prestazioni

GR 150

	length lunghezza mt.	max capacity portata max t.
1	5,40	3,00
2	3,80	4,00
3	2,00	9,00
4	0,00	15,00

- The emergency anterior hydraulic brakes is located anterior wheels.
- Hydraulic lifting and extending arm circuit system with safe stopping valves.
- Operator safety cabin "CE" approved.
- Power steering wheel system mounted on a rotating platform.
- Operating utility coverage area of about L. 4,95 x 2,20 H. 2,66 mt.

P.s. Note: Our cranes are built for hard surface machinery only.

