

**GEHL**

Form No.

**50960015**  
Revision C

December  
2013

# **RS6-42**

# **RS8-42/44**

# **RS10-44/55**

# **RS12-42**

## **Telescopic Handlers**

*(Equipped with Interim TIER IV Engine)*

*RS6-42; Beginning with SN 14551*

*RS8-42/44; Beginning with SN 17151*

*RS10-44/55; Beginning with SN 90191*

*RS12-42; Beginning with SN 18151*

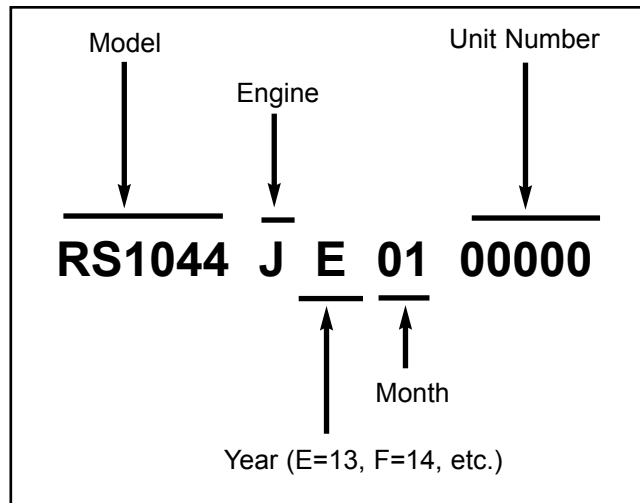


**Parts Manual**

**IMPORTANT:** *This parts manual contains parts information for all models of the Gehl RS Series Telescopic Handlers, except for the RS5-19 and the RS6-34 models; please refer to the appropriate parts manuals for RS5-19 and RS6-34 parts listings.*

**NOTE:** *This parts manual identifies both standard and optional features for these models. Depending on the features of your machine, some of the items identified in the parts lists may, or may not be included with the machine.*

*Furthermore, be aware that many components (such as transmissions and axles) differ between the various models; be sure to review the parts listing for the correct model before ordering parts.*



Model and serial numbers for this unit are stamped on a plate located inside the operator's station. The serial number is also stamped on the top front of the frame. The above reference shows the breakdown of the serial number:

“Right” and “left” are determined from a position standing behind the unit and facing the direction of forward travel.

Gehl Company reserves the right to make changes or improvements in the design or construction of any part of the unit without incurring the obligation to install such changes on any unit previously delivered.

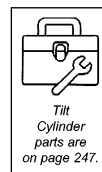
The following icons appear on various pages throughout the manual; they are used to inform, as well as direct you to more information.

RS6 and RS8 Models Only

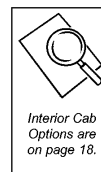
RS10 and RS12 Models Only

Page markers (tabs)—as shown to the left—are used in the transmission and axle sections to help identify components specific to each model. Be sure to check the page marker, as well as the page header, to verify the model before ordering parts

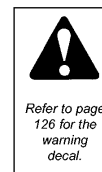
When ordering service parts, specify the part number, full description, quantity required, and the unit model and serial number.



Identifies where additional pages for component parts, seals, and kits can be found.



Identifies where additional information can be found.



Alerts and directs user to investigate more information.



Identifies missing, hidden parts, or adds informational comments.



---

	Page
<b>Introduction</b>	
Table of Contents .....	1
Filters .....	6
 <b>Cab</b>	
Standard Cab .....	8
Front and Rear Window - Enclosed Cab .....	10
Wipers - Front and Top - Enclosed Cab .....	12
Top and Left Window - Enclosed Cab .....	14
Door - Enclosed Cab .....	16
Instrument Panel and Switches .....	18
Fuses, Relays, and Wire Harnesses .....	20
Front and Rear Lights .....	22
Heater - (Option) - (No A/C) .....	24
A/C - Heater (A/C - Option) .....	25
A/C Circuit (Option) .....	26
Heater Circuit (A/C Equipped - Option) .....	28
A/C Condenser - (A/C Equipped - Option) .....	30
Steering Column Components .....	32
Seat .....	34
Tri-Function Cab Components - Option .....	36
Brake and Accelerator Pedals .....	38
Brake Valve .....	40
Cab Mounts .....	42
 <b>Chassis, Covers and Tanks</b>	
Hoods and Covers - Front-Half .....	44
Hoods and Covers - Rear-Half .....	46
Fuel Tank and Battery .....	48
Hydraulic Tank .....	50
Outriggers - Option .....	52
Outrigger Valve - Option .....	54
 <b>PWP (Personnel Work Platform)</b>	
Chassis Components .....	56
Components (Three-Section Boom) .....	58
Components (Four-Section Boom) .....	59
Radio Remote Control - Transmitter and Receiver .....	60
 <b>Engine</b>	
External Components .....	62
A/C Compressor - (Option) .....	64
Air Intake .....	66
Exhaust .....	68
Radiator and Coolers .....	70
Radiator Shrouds and Guards .....	72
Radiator/Cooler Hoses .....	74

	Page
<b>Transmission</b>	
External Components and Driveshafts .....	76
 <b>RS6 and RS8 Models</b>	
Torque Converter Housing - (RS6 and RS8 Models) .....	78
Case and Plate - (RS6 and RS8 Models) .....	80
Torque Converter - (RS6 and RS8 Models) .....	82
Gear Assembly - (RS6 and RS8 Models) .....	84
Pump Drive - (RS6 and RS8 Models) .....	86
Charge Pump - (RS6 and RS8 Models) .....	87
Reverse Idler - (RS6 and RS8 Models) .....	88
Forward and Reverse - (RS6 and RS8 Models) .....	90
Third Gear - (RS6 and RS8 Models) .....	92
First and Second Gear - (RS6 and RS8 Models) .....	94
Output Shaft - (RS6 and RS8 Models) .....	96
Electronic Controllers - (RS6 and RS8 Models) .....	97
Drive Plate - (RS6 and RS8 Models) .....	98
Modulation Valve - (RS6 and RS8 Models) .....	99
 <b>RS10 and RS12 Models</b>	
Torque Converter Housing - (RS10 and RS12 Models) .....	100
Torque Converter - (RS10 and RS12 Models) .....	101
Case - (RS10 and RS12 Models) .....	102
Spacer Plate - (RS10 and RS12 Models) .....	104
Pump Drive - (RS10 and RS12 Models) .....	106
Charge Pump - (RS10 and RS12 Models) .....	107
Reverse Idler - (RS10 and RS12 Models) .....	108
Clutch Gear- 3rd Gear - (RS10 and RS12 Models) .....	109
Forward and Reverse Shaft - (RS10 and RS12 Models) .....	110
High and Third Gear Shaft - (RS10 and RS12 Models) .....	112
First and Second Gear - (RS10 and RS12 Models) .....	114
Output Shaft - (RS10 and RS12 Models) .....	116
Electronic Controllers - (RS10 and RS12 Models) .....	117
Drive Plate - (RS10 and RS12 Models) .....	118
Modulation Valve - (RS10 and RS12 Models) .....	119
 <b>Axles</b>	
Mounts, Tires and Fenders - (RS6 and RS8 Models Only) .....	120
Mounts, Tires and Fenders - (RS10 and RS12 Models Only) .....	122
Front Axle - Brake and Steering Circuit .....	124
Rear Axle - Brake and Steering Circuit .....	126
 <b>RS6 and RS8 Models</b>	
Tie Rods, Steer Cylinder, and Center Housing - Front and Rear - (RS6 and RS8 Models) .....	128
Differential - Front and Rear - (RS6 and RS8 Models) .....	130
Out End - Front and Rear - (RS6 and RS8 Models) .....	132
Brakes - Front - (RS6 and RS8 Models) .....	134
Brakes - Rear - (RS6 and RS8 Models) .....	136

(Axles Continued...)

**RS10 and RS12 Models**

Front and Rear Axle - Steer Cylinder, Central Housing and Trunion - (RS10 and RS12 Models) . .138

Front Axle - Differential - (RS10 and RS12 Models) . . . . .140

Front Axle - Hub Reduction - (RS10 and RS12 Models) . . . . .142

Rear Axle - Differential - (RS10 and RS12 Models) . . . . .144

Rear Axle - Hub Reduction - (RS10 and RS12 Models) . . . . .146

Front Axle - Brakes - (RS10 and RS12 Models) . . . . .148

Rear Axle - Brakes - (RS10 and RS12 Models) . . . . .149

**Boom**

**3-Section Boom**

3-Section Boom - Outer - Front . . . . .150

3-Section Boom - Outer - Rear . . . . .152

3-Section Boom - Outer Side Cover . . . . .153

3-Section Boom - Intermediate - Front . . . . .154

3-Section Boom - Intermediate - Rear . . . . .155

3-Section Boom - Intermediate Hose Tray . . . . .156

3-Section Boom - Chain and Rollers - Front . . . . .158

3-Section Boom - Chain and Rollers - Rear . . . . .160

3-Section Boom - Inner - Rear . . . . .162

**4-Section Boom**

4-Section Boom - Outer - Front . . . . .164

4-Section Boom - Outer - Rear . . . . .166

4-Section Boom - Outer Side Cover . . . . .167

4-Section Boom - 1st Intermediate - Front . . . . .168

4-Section Boom - 1st Intermediate - Rear . . . . .170

4-Section Boom - 1st Intermediate - Hose Tray . . . . .171

4-Section Boom - 2nd Intermediate - Front . . . . .172

4-Section Boom - 2nd Intermediate - Rear . . . . .174

4-Section Boom - Inner - Rear . . . . .176

**3- and 4-Section Boom**

3- and 4-Section Boom - Inner - Front . . . . .178

Dynattach® Assembly . . . . .180

**Boom Hydraulics**

3-Section Boom - Boom Extend/Retract . . . . .182

4-Section Boom - Boom Extend/Retract . . . . .184

3-Section Boom - Tilt . . . . .186

4-Section Boom - Tilt . . . . .188

3-Section Boom - Auxiliary Hydraulics Circuit . . . . .190

4-Section Boom - Auxiliary Hydraulics Circuit . . . . .192

Slave Cylinder Circuit . . . . .194

Boom Lift Circuit . . . . .196

---

	Page
<b>Chassis Hydraulics</b>	
Frame Level .....	198
Frame Stabilizing .....	200
<b>Hydraulics</b>	
Hydraulic Pump and Flow Divider Circuit .....	202
Steering .....	204
Main Valve .....	206
Main Valve - Dual Controllers .....	208
Main Valve - Tri-Function Controller .....	210
Main Valve - Tri-Function Controller - with Auxiliary Hydraulics .....	212
Main Valve - Tri-Function Controller - with PWP .....	214
Main Valve - Tri-Function Controller - with PWP and Auxiliary Hydraulics .....	216
Main Valve - Radio Remote Control Option .....	218
Dual Controllers .....	220
Dual Controllers - with Auxiliary Hydraulics .....	222
Dual Controllers - with PWP .....	224
Dual Controllers - with PWP and Auxiliary Hydraulics .....	226
Dual Controllers - Radio Remote .....	228
Dual Controllers - Radio Remote - with Auxiliary Hydraulics .....	230
Tri-Function Controller .....	232
Tri-Function Controller - with PWP .....	234
Tri-Function Controller - Radio Remote .....	236
<b>Hydraulic Cylinders</b>	
Frame Level .....	238
Frame Stabilizing .....	239
Boom Lift .....	240
Boom Extend - 3-Section Boom .....	242
Boom Extend - 4-Section Boom .....	244
Slave (Compensation) .....	246
Tilt .....	247
Outrigger .....	248
Grapple Cylinder .....	249
Rotating-Carriage .....	250
Swing-Carriage .....	251
48" and 72" Fork-Shift .....	252
50" Fork-Shift .....	253
<b>Hydraulic Components</b>	
Hydraulic Pump .....	254
Brake Cylinder with Booster .....	255
Steer Motor .....	256
Steer Select Valve .....	257
Priority Valve .....	258
Flow Divider Valve .....	259

---

	<b>Page</b>
Pilot Apply Valve - Tri-Function Controller .....	260
PWP/WPS Valve .....	261
Frame Stabilizing Valve .....	262
Radio Remote Manifold .....	263
Main Valve .....	264
Main Valve - Auxiliary Hydraulics Work Section .....	266
Outrigger Valve .....	268
Controller - Tilt/Frame Level .....	270
Controller - Boom Lift/Extend .....	272
Controller - Auxiliary Hydraulics (Standard) - Frame Level (Tri-Function) .....	274
Controller - Tri-Function .....	276

**Attachments**

Carriage Forks .....	278
Standard Carriage .....	280
Dynattach® 72" Fork-Shift Carriage .....	281
Dynattach® 48" Fork-Shift Carriage .....	282
Dynattach® 50" Fork-Shift Carriage .....	283
Rotating Carriage .....	284
90° Swing Carriage .....	286
180° Swing Carriage .....	288
Log/Pipe Carriage .....	290
Truss Boom and Winch .....	292
Bucket .....	294

**Decals**

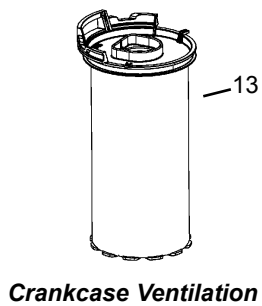
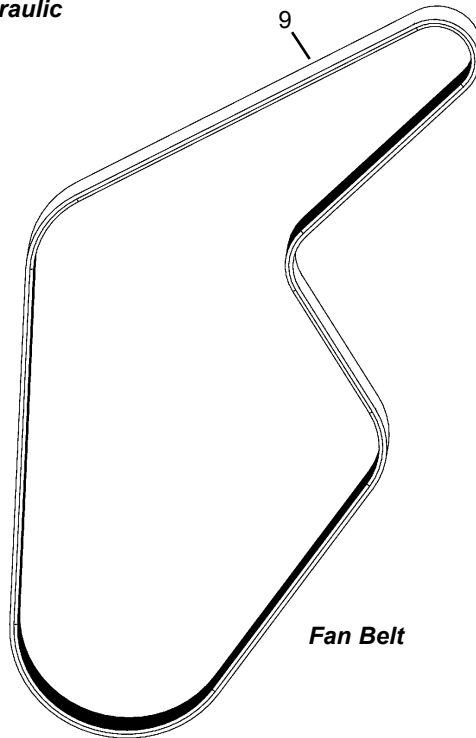
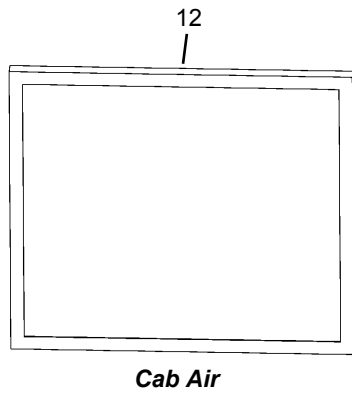
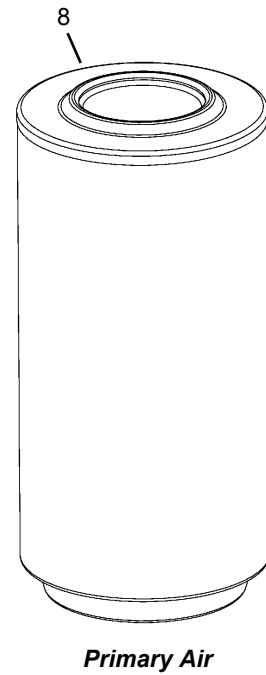
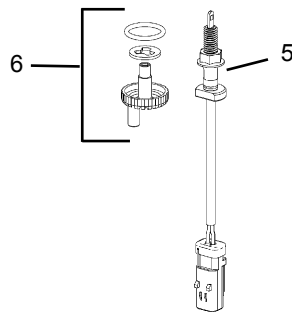
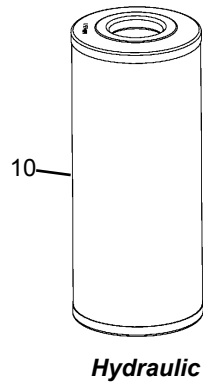
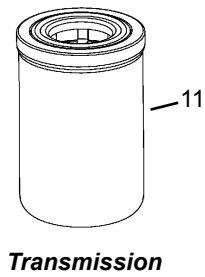
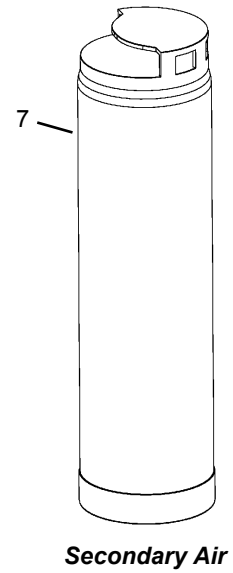
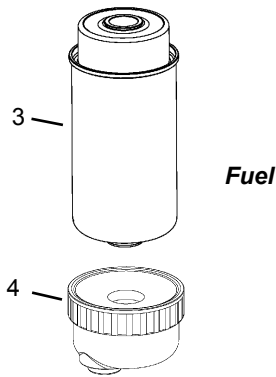
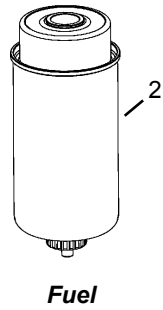
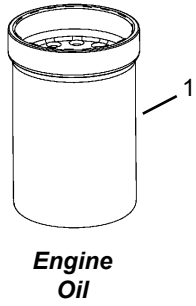
Decal Application and Paint .....	295
Decal Locations .....	296

**Index**

Numerical Index .....	300
Subject Index .....	312

**Reference**

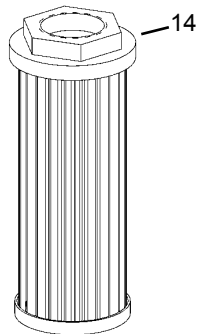
O-Ring Tables .....	320
Adapter (Fittings) Torque Guide .....	321
Metric Bolt Torque Guide .....	322
SAE Bolt Torque Guide .....	323





Ref. No.	Part No.	Description	Qty. Req.	Ref. No.	Part No.	Description	Qty. Req.
01 <sup>a</sup>	102173	ENGINE OIL FILTER . . . . .	1	10	L97489	HYDRAULIC FILTER. . . . .	1
02	50220173	FUEL FILTER ( <i>secondary filter</i> ) . . .	1	11	L99184	TRANSMISSION FILTER . . . . .	1
03	50220174	FUEL FILTER ( <i>primary filter</i> ) . . . . .	1	12 <sup>b</sup>	211146	FILTER, CAB AIR . . . . .	1
04	105818	SEDIMENT BOWL. . . . .	1	13	50220168	FILTER, CRANKCASE VENT. . . . .	1
		( <i>does not include items 5 or 6</i> )		14	L49327	STRAINER, HYDRAULIC OIL. . . . .	1
05	50220622	WATER SENSOR . . . . .	1			( <i>Located in hydraulic tank -- refer to page 50, item 15.</i> )	
06	50380272	DRAIN VALVE KIT. . . . .	1				
		( <i>includes o-ring and seal</i> )					
07	105071	SECONDARY AIR FILTER ( <i>inner</i> ) . . .	1	a		Use dust seal P/N 102742 as needed.	
08	105070	PRIMARY AIR FILTER ( <i>outer</i> ) . . . . .	1	b		When equipped with optional air conditioning.	
09		FAN BELT . . . . .	1				
	50220187	( <i>Standard - No A/C</i> )					
	50220188	( <i>When equipped with A/C option</i> )					

<b>Analysis Kits*</b>	
	<b>Qty.</b>
272806. . . . .	HYDRAULIC OIL ANALYSIS KITS (10)
272809 . . . . .	ENGINE OIL ANALYSIS KITS (10)
272811 . . . . .	BASIC FUEL ANALYSIS KIT (1)
272812. . . . .	COOLANT ANALYSIS KITS (10)
272813. . . . .	FIELD TEST COOLANT STRIP KIT (1)
272814 . . . . .	OIL VACUUM PUMP (1)
272815 . . . . .	COOLANT VACUUM PUMP (1)
272816. . . . .	1/4" PLASTIC TUBING (100-FOOT ROLL)
* For the analysis of fluids and lubricants used in this machine. Contact your Gehl Dealer for more information.	

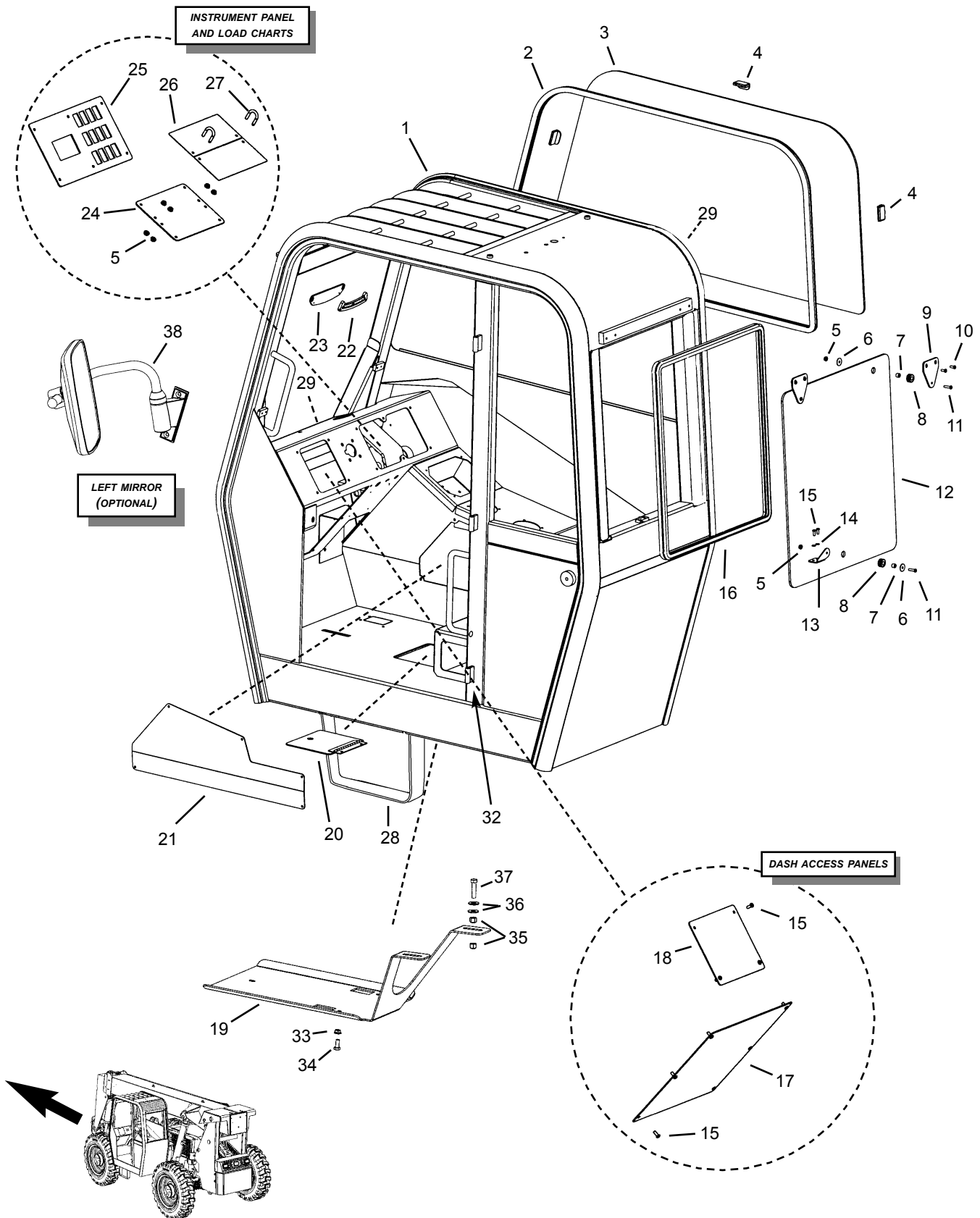


**Hydraulic Oil Strainer**  
(located inside hydraulic tank)

# Cab

## Standard Cab

# RS Series

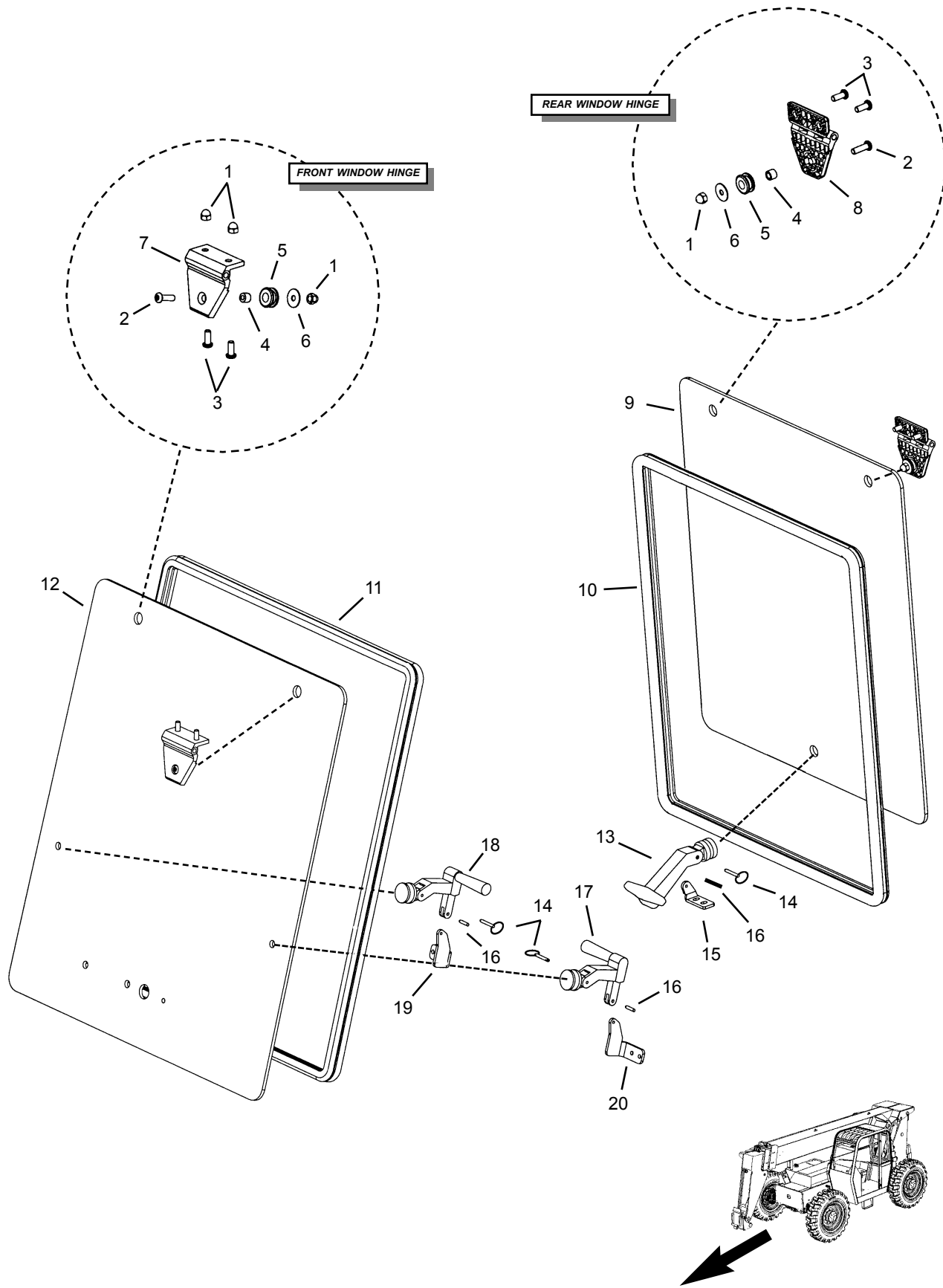


# Telescopic Handler

# Cab Standard Cab

Ref. No.	Part No.	Description	Qty. Req.	Ref. No.	Part No.	Description	Qty. Req.
01 <sup>d</sup>	210583	CAB ( <i>frame work only</i> ) . . . . .	1	27	L63887	1/4"-20 U-BOLT . . . . .	1
02	102707	BULB SEAL, RIGHT WINDOW . . . . .	1	28	102491	ACCESS STEP ( <i>weld on</i> ) . . . . .	1
03	102683	GLASS, RIGHT HAND . . . . .	1	29	103188	GROMMET, 5/8" . . . . .	AR
	103674	SCREEN, RIGHT HAND ( <i>option</i> ) . . . . .		32	L61067	HINGE TUBE ( <i>weld on</i> ) . . . . .	3
04	L500057	CLIP, WINDOW . . . . .	3			( <i>when equipped with door option</i> ) . . . . .	
	L500055	SCREW, FLANGE . . . . .	6	33	L50056	5/16" FLANGE LOCK NUT . . . . .	2
05	L50051	1/4"-20 WHIZ LOCK NUT . . . . .	AR	34	650486	5/16"X3/4" BOLT . . . . .	2
06	L500022	WASHER, FLAT ( <i>black</i> ) . . . . .	3	35	L520005	3/8" NYLON LOCK NUT . . . . .	4
07	L500020	BUSHING, NYLON . . . . .	3	36	654006	3/8" FLAT WASHER . . . . .	4
08	L500021	GROMMET, 1/2"ID X 1/4"GROOVE . . . . .	3	37	650533	3/8"X1-1/2" BOLT . . . . .	2
09	102880	MOUNT, REAR GLASS UPPER . . . . .	2	38 <sup>e</sup>	219274	MIRROR ( <i>optional</i> ) . . . . .	1
10	L52025	5/16"-18X3/4" BUTT. HD BOLT . . . . .	4		L50202	1/4"-20x5/8" BUTT. HD. BOLT . . . . .	AR
11	L52024	1/4"-20X1" BUTT. HD BOLT . . . . .	3		L50051	1/4"-20 FLANGE LOCK NUT . . . . .	AR
12	102684	GLASS, REAR . . . . .	1				
13	102881	MOUNT, REAR GLASS LOWER . . . . .	1			<b>-- ITEMS NOT SHOWN--</b>	
14	L50139	1/4" LOCK WASHER . . . . .	2	--	104688	PLUG, BLACK 5/8" . . . . .	AR
15	L50202	1/4"-20X5/8" BUTT. HD BOLT . . . . .	AR	--a	L63813	HOLE PLUG, 2-1/2" DIA . . . . .	1
16	102708	BULB SEAL, REAR WINDOW . . . . .	1			( <i>defroster hole in dash</i> ) . . . . .	
17 <sup>a</sup>	102728	PANEL, HEATER . . . . .	1	--	L54002	TREAD STRIP, 6" WIDE . . . . .	4 feet
18 <sup>a</sup>	102727	PANEL, DASH COVER . . . . .	1				
19	210451	SKID PLATE, BOTTOM . . . . .	1	a		<i>Used when not equipped with a heater.</i>	
20	102778	WLDMNT, BRAKE CYL COVER . . . . .	1	b		<i>Refer to "Instrument Panel and Switches" section for information regarding switches and gauges.</i>	
21	102657	COVER, HYD. CONTROLLERS . . . . .	1	c		<i>Refer to decal section for load chart decals.</i>	
	101550	1/4"-20X3/4" SCREW, PHILP HD. . . . .	5	d		<i>Cab does not include windows or a door. If reusing the windows and the door from current cab, or if ordering a front window for the new cab, it will be necessary to order replacement front window hold-open brackets P/N 104973 and P/N 104974. Refer to the next page for more information.</i>	
22	L66011	INDICATOR/FRAME LEVEL . . . . .	1				
	L50417	#8-32X1" SCREW . . . . .	2	e		<i>If the cab is an earlier model, it might not have a bracket to mount the mirror. There is, however, a kit available that includes a weld-on bracket and all items listed under item #38; the kit number is 50860013.</i>	
23	L69297	PLATE, INCLMT MOUNT . . . . .	1				
	L52025	5/16"-18X3/4" BUTT. HD BOLT . . . . .	4				
24	102692	COVER, FUSE PANEL . . . . .	1				
	101550	1/4"-20X3/4" SCREW, PHILP HD. . . . .	4				
25	Note b	PANEL, DASH . . . . .	1				
26 <sup>c</sup>	L63634	LOAD CHART PLATE ( <i>metal</i> ) . . . . .	2				
	L69402	LOAD CHART PLATE ( <i>plastic</i> ) . . . . .	AR				

Front and Rear Window - Enclosed Cab



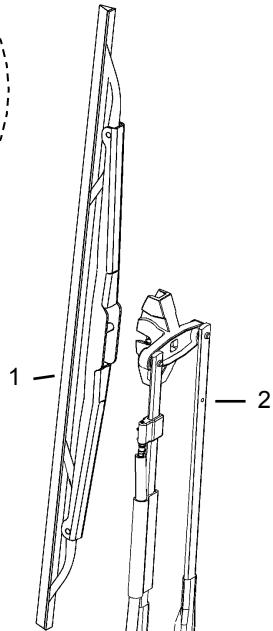
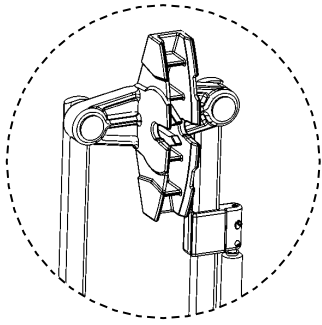
# Telescopic Handler

# Cab

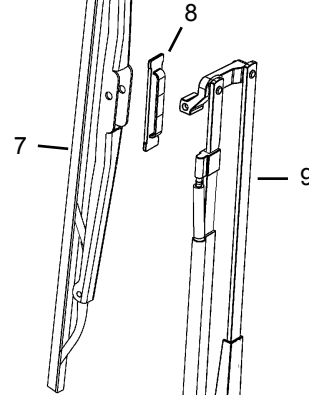
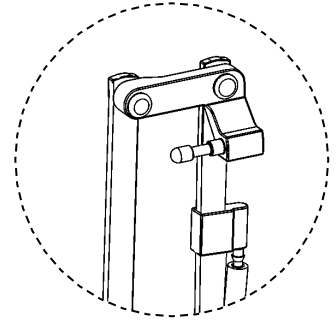
## Front and Rear Window - Enclosed Cab

Ref. No.	Part No.	Description	Qty. Req.	Ref. No.	Part No.	Description	Qty. Req.
01	L500038	5/16"-18 ACORN NUT . . . . .	AR	14	L500025	PIN, QUICK DETACH . . . . .	4
02	651639	5/16"-18X1" BUTTN HD BOLT . . . .	4	15	104846	MOUNT, REAR WINDOW LATCH . .	1
03	651640	5/16"-18X3/4" BUTTN HD BOLT . . .	8	16	L500019	PIN, ROLL - 3/16"x1/2" . . . . .	3
04	L500042	BUSHING, STEEL . . . . .	4	17	L500028	HOLD OPEN, L-STYLE . . . . .	1
05	L500021	GROMMET, 1/2"IDX1/4"GROOVE . . .	6	18	L500027	HOLD OPEN, L-STYLE . . . . .	1
06	651641	5/16" FLAT WASHER (BLACK) . . . .	4	19	104974	MOUNT, HOLD-OPEN ( <i>right</i> ) . . . .	1
07	L500111	HINGE, FRONT WINDOW . . . . .	2	20	104973	MOUNT, HOLD-OPEN ( <i>left</i> ) . . . .	1
08	L500024	HINGE, PLASTIC ( <i>rear window</i> ) . . .	1				
09	102684	GLASS, REAR . . . . .	1				
10	102708	BULB SEAL, REAR GLASS . . . . .	1				
11	102706	BULB SEAL, FRONT GLASS . . . . .	1				
12	102682	GLASS, FRONT . . . . .	1				
13	101727	HOLD-OPEN, T-STYLE . . . . .	1				
						<b>-- ITEMS NOT SHOWN --</b>	
						<b>(Hardware for window hold open brackets)</b>	
				--	650863	1/4" FLAT WASHER . . . . .	AR
				--	654002	1/4" LOCK WASHER . . . . .	AR
				--	L50202	1/4"-20X5/8" BUTTN HD BOLT . .	AR

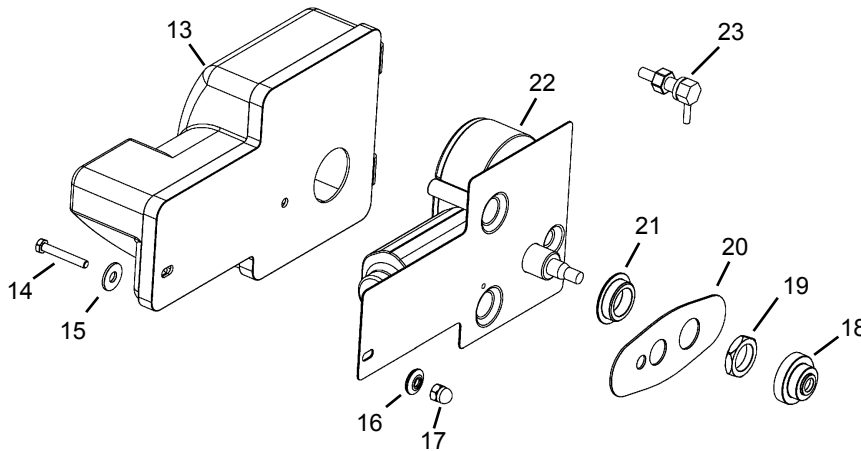
Wipers — Front and Top (with Enclosed Cab)



Late-Style Wiper



Early-Style Wiper

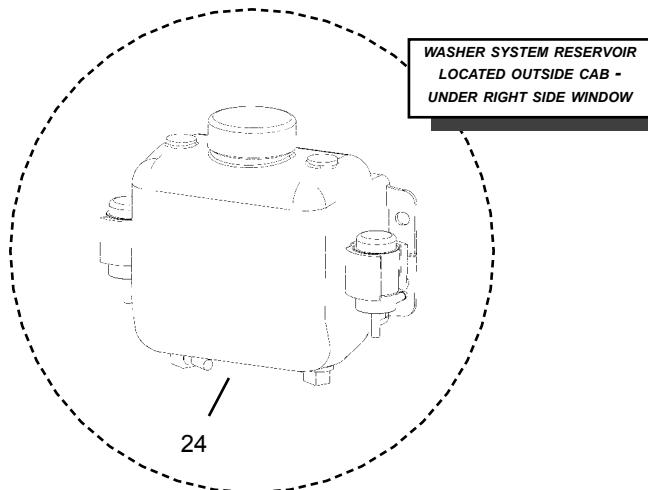


# Telescopic Handler

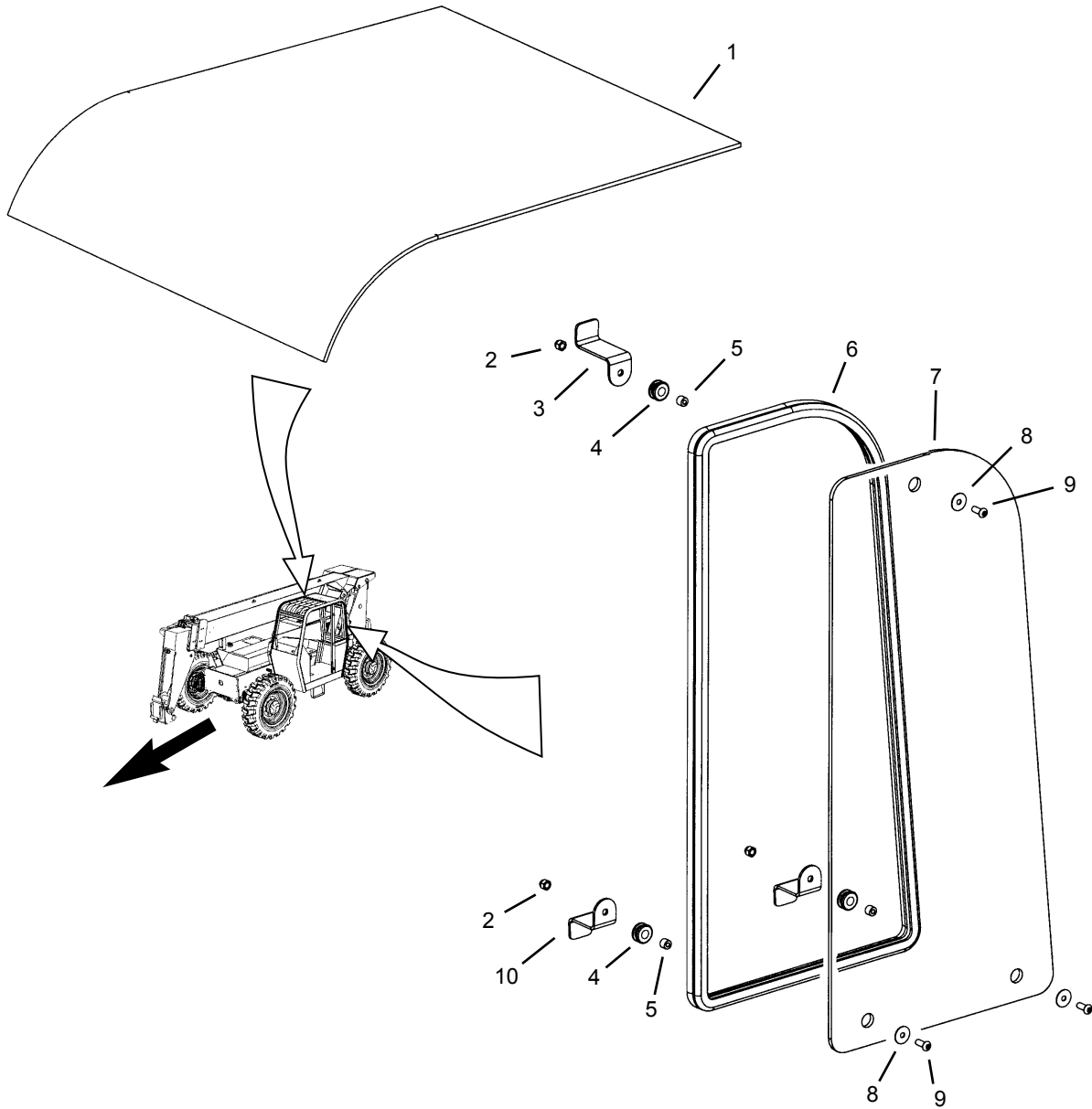
# Cab

## Wipers—Front and Top (with Enclosed Cab)

Ref. No.	Part No.	Description	Qty. Req.	Ref. No.	Part No.	Description	Qty. Req.		
01	50380577	WIPER BLADE, 16" . . . . .	1	22	L500695	WIPER MOTOR, TRICO . . . . .	1		
02		WIPER ARM, PANTOGRAPH . . . . .	1	23	L500099	ADAPTER/WET ARM . . . . .	1		
	50380576	<i>Front Window — 16"</i>		24	101495	BOTTLE, DUAL -PUMP WASHER . . .	1		
	50380682	<i>Top Window — 19"</i>							
03	50380579	PLATE, PANTO ARM MOUNT . . . . .	1			<b>-- ITEMS NOT SHOWN --</b>			
04	50380583	PIN, PANTO ARM MOUNT . . . . .	1			<b>(Windshield Wiper Harness)</b>			
05	L500706	M5, ACORN NUT . . . . .	1	--	103179	HARNESS, TOP WIPER . . . . .	1		
06	L500700	M8, ACORN NUT . . . . .	1	--	103180	HARNESS, FRONT WIPER . . . . .	1		
07	102913	WIPER BLADE, 16" . . . . .	1			<b>(Windshield Washer System)</b>			
08	L500707	ADAPTER, PIN LOCK . . . . .	1			--	102925	HARNESS, WASHER BOTTLE . . . . .	1
09		WIPER ARM, PANTOGRAPH . . . . .	1			--	103013	TUBING, WASHER (15-1/2') . . . . .	1
	NSS	<i>Front window—see note a</i>							
	NSS	<i>Top window—see note b</i>							
10	L500719	PANTO ADAPTER PLATE . . . . .	1						
11	101717	WASHER, #10 WEATHERTITE . . . . .	1	a		<i>The early style front wiper arm is no longer available; it will be necessary to order part number 50380585 Wiper Arm Kit, which contains items 1-4, but not PN 50380682 top wiper arm.</i>			
12	L500711	SCREW, M5 16mm . . . . .	1						
13	L500696	COVER WIPER MOTOR . . . . .	1						
14	L500718	BOLT / 10-24x1.25 HEX GR5 . . . . .	1						
15	L500001	WASHER/BLK NYLON . . . . .	1						
16	139170	WASHER, #10 WEATHERTITE . . . . .	2	b		<i>The early style top wiper arm is no longer available; it will be necessary to order part number 50380683 Wiper Arm Kit, which contains items 1-4, bu not PN 50380576 front wiper arm.</i>			
17	L500004	NUT/ACORN #10-24 BLK . . . . .	1						
18	L500709	RAIN SHIELD . . . . .	1						
19	L500697	M18, NUT . . . . .	1						
20	L500701	GASKET, PANTO ADAPTER . . . . .	1						
21 <sup>c</sup>	L500708	TOWER SEAL, TRICO WIPER . . . . .	1	c		<i>Not used on top wiper installation.</i>			



Top and Left Window - Enclosed Cab



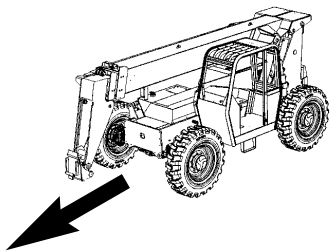
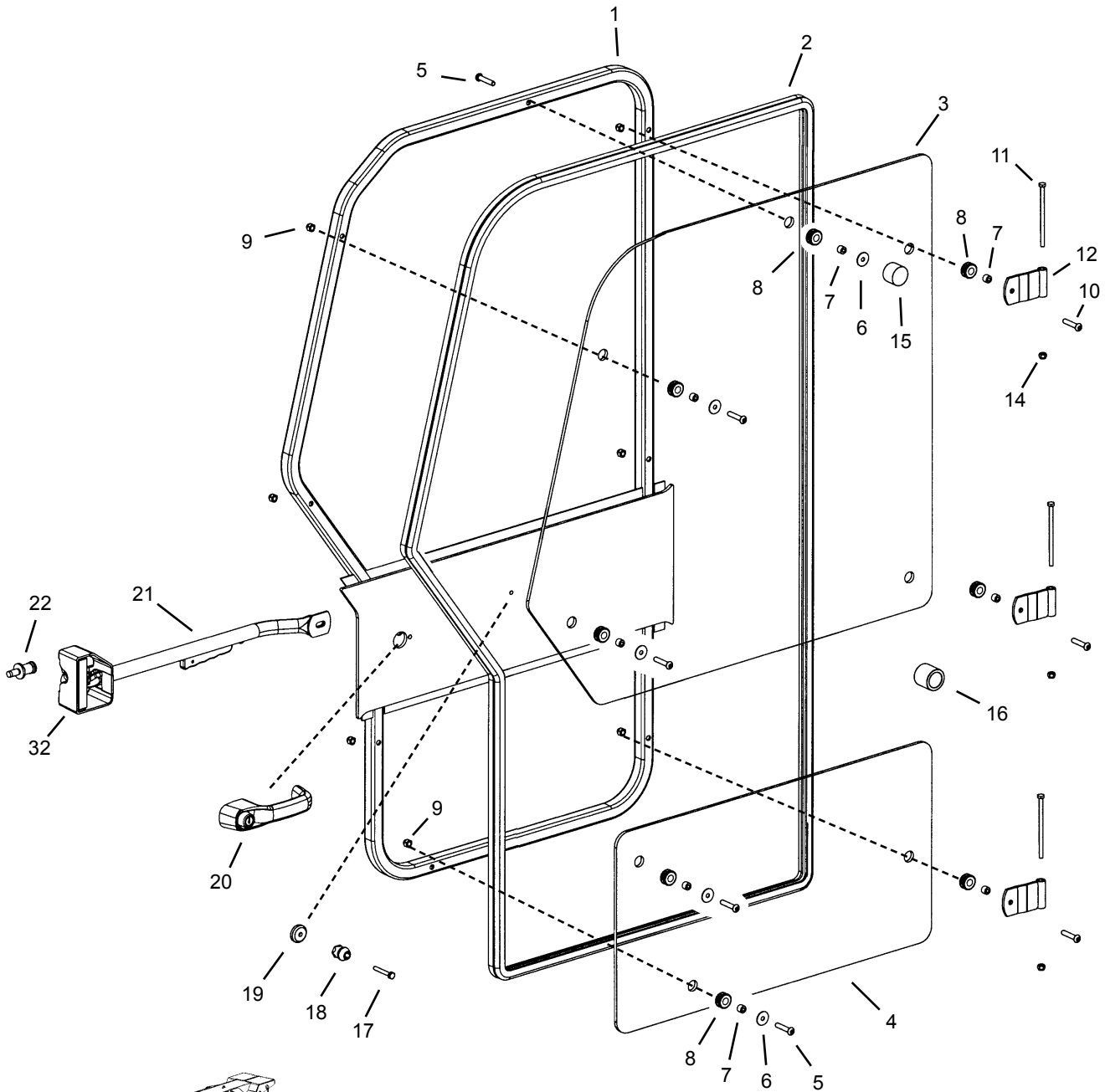


# Telescopic Handler

# Cab

## Top and Left Window - Enclosed Cab

Ref. No.	Part No.	Description	Qty. Req.	Ref. No.	Part No.	Description	Qty. Req.
01 <sup>a</sup>	102686	GLASS, TOP . . . . .	1	09	651639	5/16"-18X1" BUTTN HD BOLT . . . .	4
02	L500038	5/16"-18 ACORN NUT . . . . .	AR	10	102712	WINDOW MOUNT, LOWER . . . . .	2
03	102711	WINDOW MOUNT, UPPER. . . . .	1				
04	L500021	GROMMET, 1/2"IDX1/4"GROOVE . . . .	3			<b>-- ITEMS NOT SHOWN --</b>	
05	L500042	BUSHING, STEEL . . . . .	4	--b	105149	TOP GLASS FILLER . . . . .	1
06	102709	BULB SEAL, LEFT GLASS . . . . .	1				
07	102685	GLASS, LEFT REAR. . . . .	1	a		<i>Use P/N L500607 adhesive kit to attach top glass to cab.</i>	
08	651641	5/16" FLAT WASHER (BLACK). . . . .	4	b		<i>Used to reduce gap between cab and top glass at front top of the cab; use adhesive L500607 to secure to cab and seal top glass.</i>	



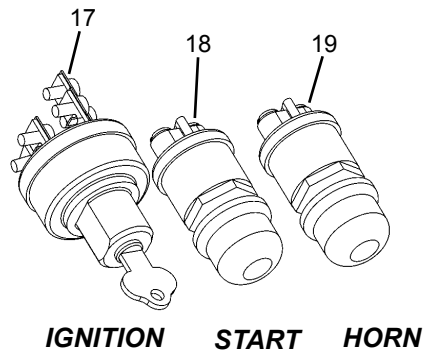
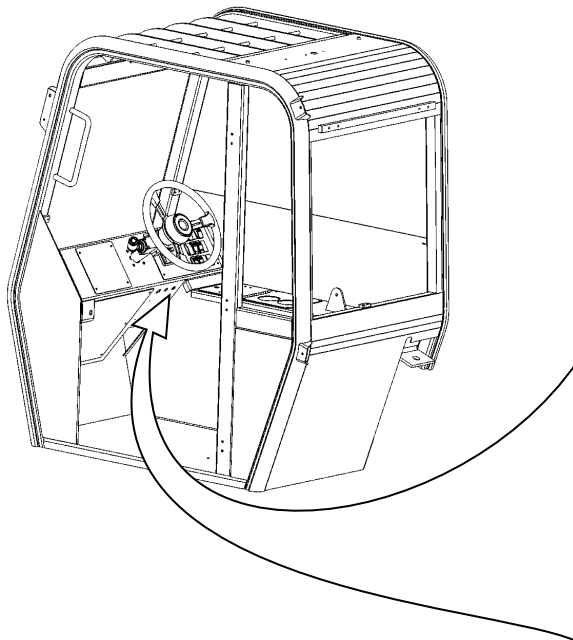
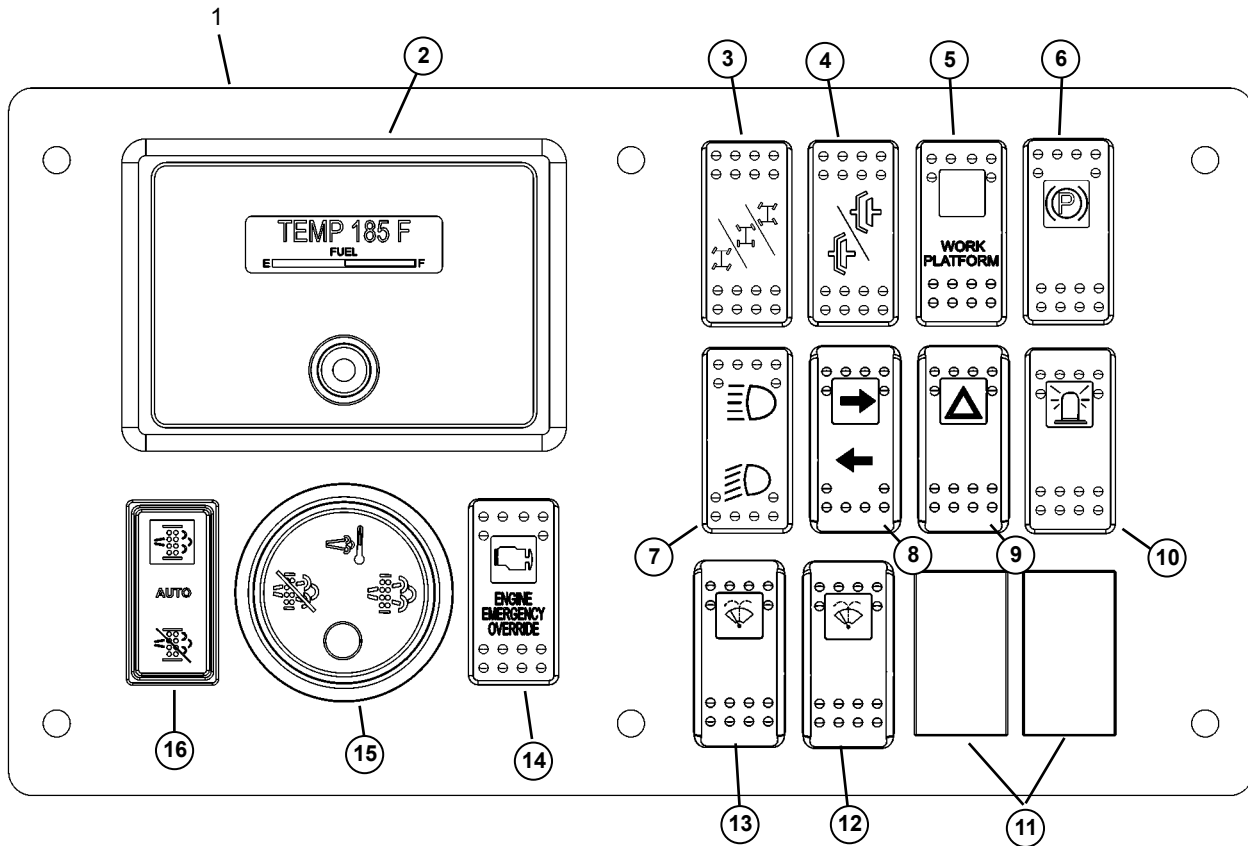
# Telescopic Handler

# Cab

## Door - Enclosed Cab

Ref. No.	Part No.	Description	Qty. Req.	Ref. No.	Part No.	Description	Qty. Req.
--	103014	CAB DOOR . . . . .	1	17	650588	1/4"-20x1-1/2" BOLT . . . . .	1
		<i>(includes items 1-10, 12 and 15)</i>		18	NSS	HOLD OPEN/DOOR STUD. . . . .	1
01	102874	WELDMENT, CAB DOOR FRAME .	1			<i>(included with item #16 as a set)</i>	
02	102705	BULB SEAL, DOOR FRAME . . . .	1	19	101719	GLASS MOUNT . . . . .	1
03	102680	GLASS, UPPER DOOR . . . . .	1	20	102948	HANDLE, EXT. DOOR LOCKING . .	1
04	102681	GLASS, LOWER DOOR . . . . .	1		101792	KEY ONLY . . . . .	1
05	651638	5/16"-18X1-13/4" BUTTN HD BOLT	5	21	102886	LATCH RELEASE, INTERIOR . . . .	1
06	651641	5/16" FLAT WASHER (BLACK) . . . .	5		651635	1/4-20X1-1/4" FLAT HD SCREW . .	2
07	L500042	BUSHING, STEEL . . . . .	8		L50202	1/4-20X5/8" BUTTN HD BOLT . . . .	1
08	L500021	GROMMET, 1/2"IDX1/4"GROOVE . . .	8		651636	M6-1X12 8.8 BOLT. . . . .	2
09	L500038	5/16"-18 ACORN NUT (BLACK) . . . .	8		L500022	FLAT WASHER (BLACK) . . . . .	1
10	651643	5/16"-18X2" BUTTN HD BOLT . . . .	3		L520003	1/4"-20 NYLON INSERT NUT . . . .	2
11	650730	3/8"-16X5" BOLT . . . . .	3		L70069	1/2" HOLE PLUG . . . . .	2
12	102901	WELDMENT, DOOR HINGE . . . . .	3	22	101436	STRIKER . . . . .	1
14	067847	3/8"-16 NYLON INSERT NUT . . . . .	3		654028	7/16" LOCK WASHER . . . . .	1
15	102928	BUMPER, DOOR . . . . .	1		654046	7/16" FLAT WASHER . . . . .	1
16	L500036	HOLD OPEN/DOOR (SET) . . . . .	1		L50979	7/16"-14 NUT . . . . .	1
		<i>(includes item #18) [mounts to cab]</i>		32	101746	COVER <i>(included with item #21)</i> . . .	1

**Instrument Panel and Switches**



# Telescopic Handler

# Cab

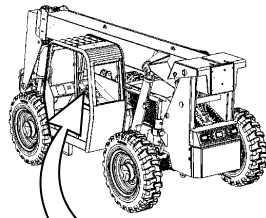
## Instrument Panel and Switches

Ref. No.	Part No.	Description	Qty. Req.	Ref. No.	Part No.	Description	Qty. Req.
01	50380306	PANEL, DASH . . . . . 1 <i>(does not include switches or display)</i>		12	L71076	SWITCH, WIPER/WASHER . . . . . 1 <i>(top window)</i>	
02	210927	DISPLAY, CAN & INSTRUMENTS . 1		13	L71076	SWITCH, WIPER/WASHER . . . . . 1 <i>(front window)</i>	
03	L71075	SWITCH, STEER MODE. . . . . 1		14	101278	SWITCH, ENGINE FAULT. . . . . 1	
04	L71086	SWITCH, CLUTCH CUT-OUT. . . . 1		15	50380243	INDICATOR, DPF STATUS. . . . . 1	
05	L71691	SWITCH, WORK PLATFORM. . . . 1		16	50380314	SWITCH, DPF CONTROL. . . . . 1	
06	L71074	SWITCH, PARK BRAKE . . . . . 1		17	089069	SWITCH, IGNITION w/KEY. . . . . 1	
07	L71082	SWITCH, LIGHTS . . . . . 1			089070	KEY ONLY (2 keys) . . . . . 1	
08	L71084	SWITCH, TURN SIGNALS . . . . . 1		18	L41848	SWITCH, PUSH-BUTTON ( <i>starter</i> ). 1	
09	L71077	SWITCH, HAZARD LIGHTS . . . . . 1		19	L41848	SWITCH, PUSH-BUTTON ( <i>horn</i> ) . . 1	
10	L71083	SWITCH, STROBE . . . . . 1					
11	L71088	HOLE PLUG, SWITCH. . . . . AR <i>(used to plug empty switch hole)</i>					

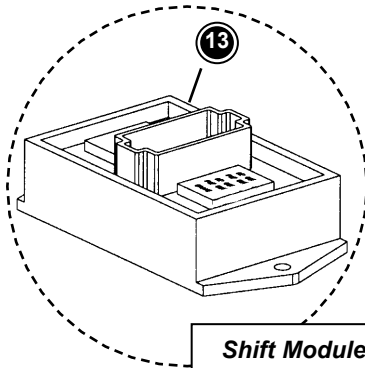


**NOTE:** Switches shown in the Illustration or listed on this page are for reference purposes only—your machine may be configured differently than shown here.

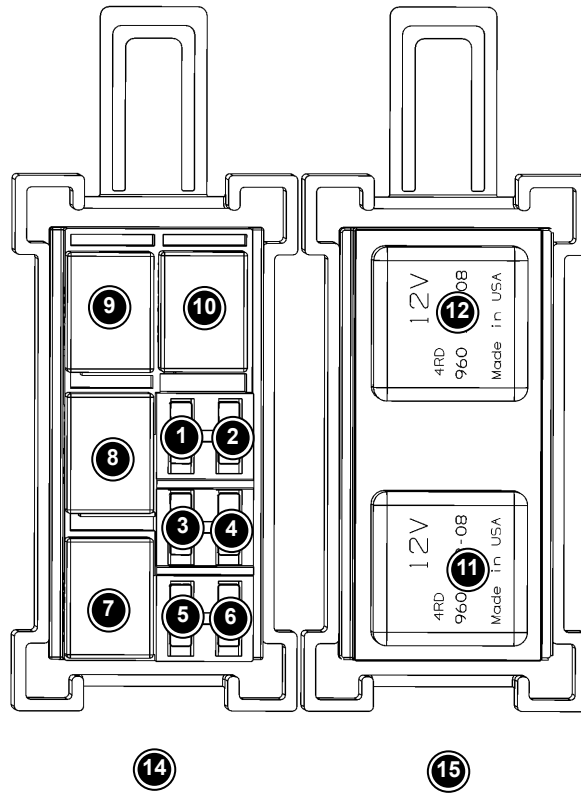
## Fuses, Relays, and Wire Harnesses



(Fuses, relays, and transmission shift module are located inside the cab under the load chart panel on the dash.)



**Shift Module**  
(located next to the fuses and relays)



Ref.	Part No.	Description	Function/Comments
01	103099	MINI FUSE, 15 AMP	(BATTERY) IGNITION SWITCH, HORN, BRAKE LIGHT, CLUTCH CUT-OUT
02	104769	MINI FUSE, 20 AMP	(IGNITION) TRANSMISSION, PARK BRAKE, PWP, STEER SELECT
03	103099	MINI FUSE, 15 AMP	(IGNITION) LIGHTS, OUTRIGGERS
04	103221	MINI FUSE, 25 AMP	(IGNITION) HEATER, CAN DISPLAY
05	103221	MINI FUSE, 25 AMP	(IGNITION) TOP WIPER
06	103221	MINI FUSE, 25 AMP	(IGNITION) FRONT WIPER
07	103100	MICRO RELAY, 20 AMP	TOP WIPER
08	103100	MICRO RELAY, 20 AMP	LIGHTS
09	103100	MICRO RELAY, 20 AMP	PARK BRAKE
10	103100	MICRO RELAY, 20 AMP	FRONT WIPER
11	L70075	CHANGE-OVER RELAY	IGNITION
12	L70075	CHANGE-OVER RELAY	IGNITION
13	101877	MODULE, SHIFTER	

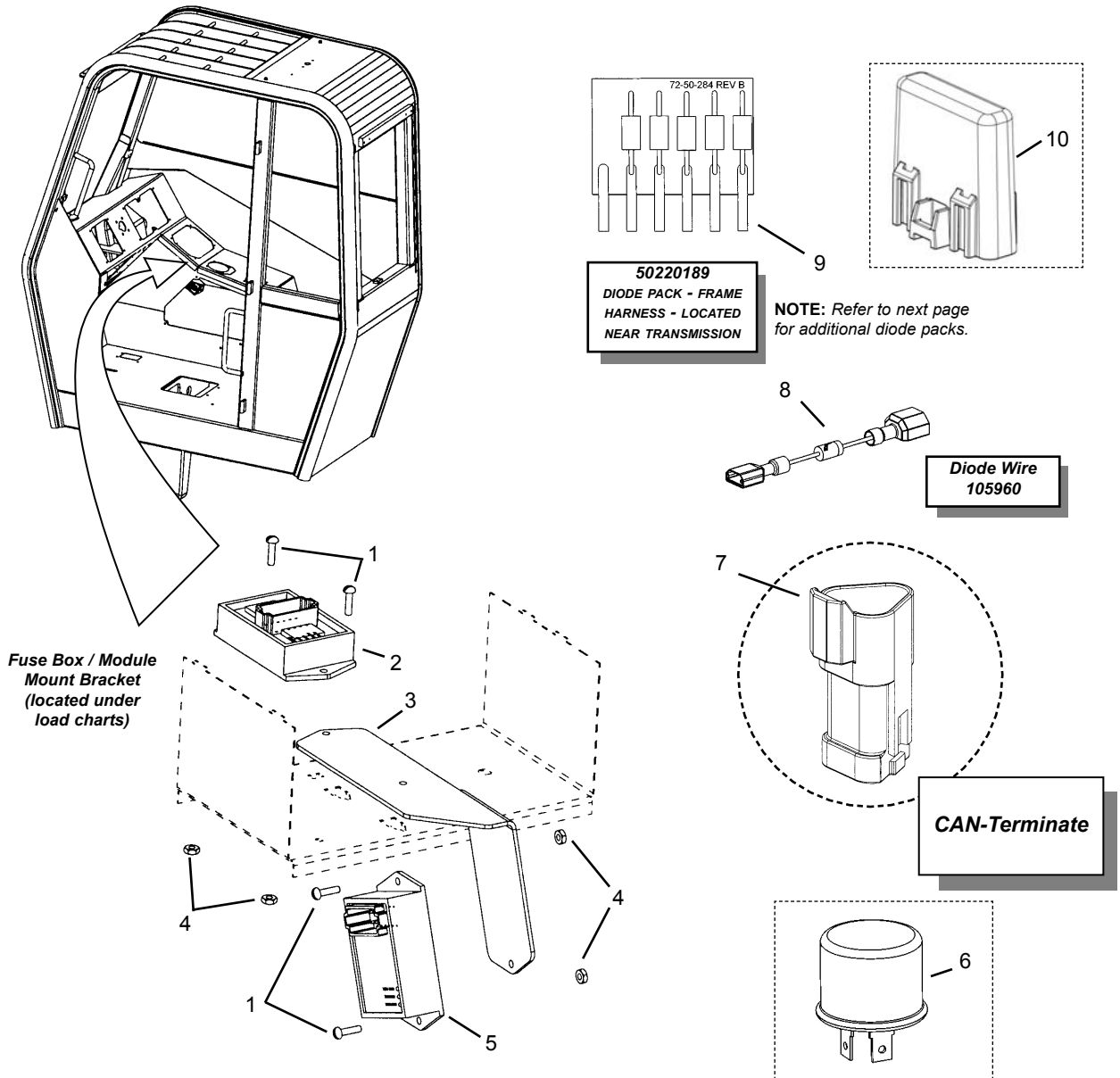
### FUSE BOX AND RELAY BOX COVERS—(NOT SHOWN)

14	50380751	FUSE & MICRO RELAY COVER
15	272648	RELAY BOX COVER

### MAIN WIRE HARNESSES—(NOT SHOWN)

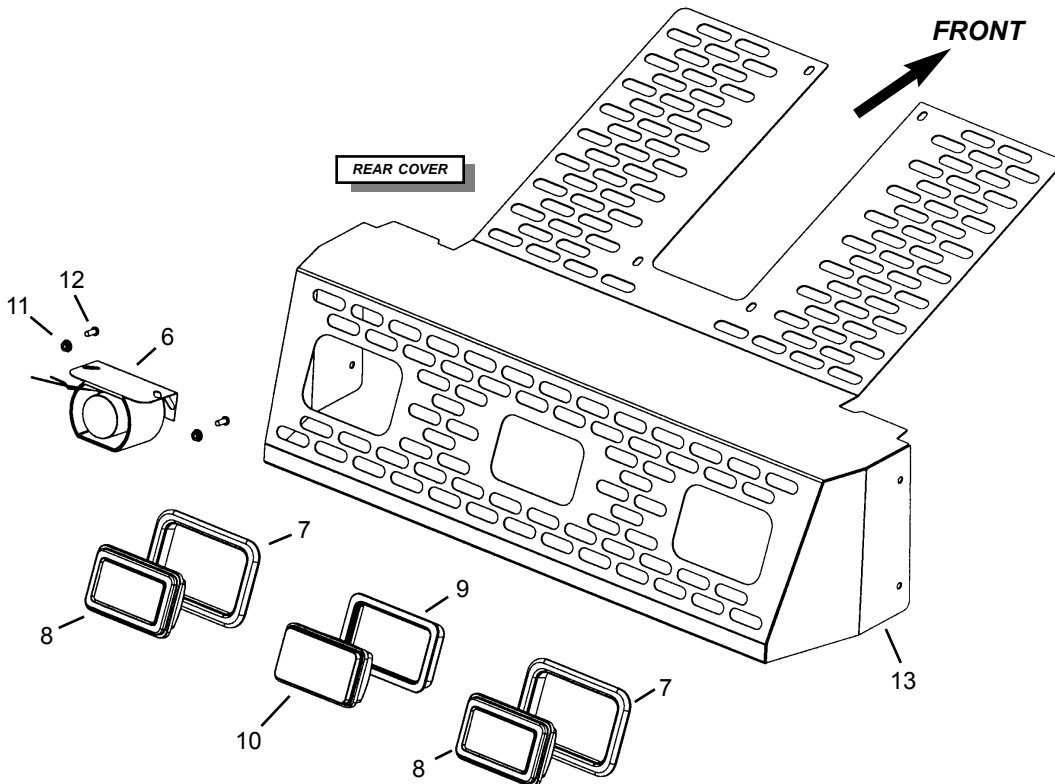
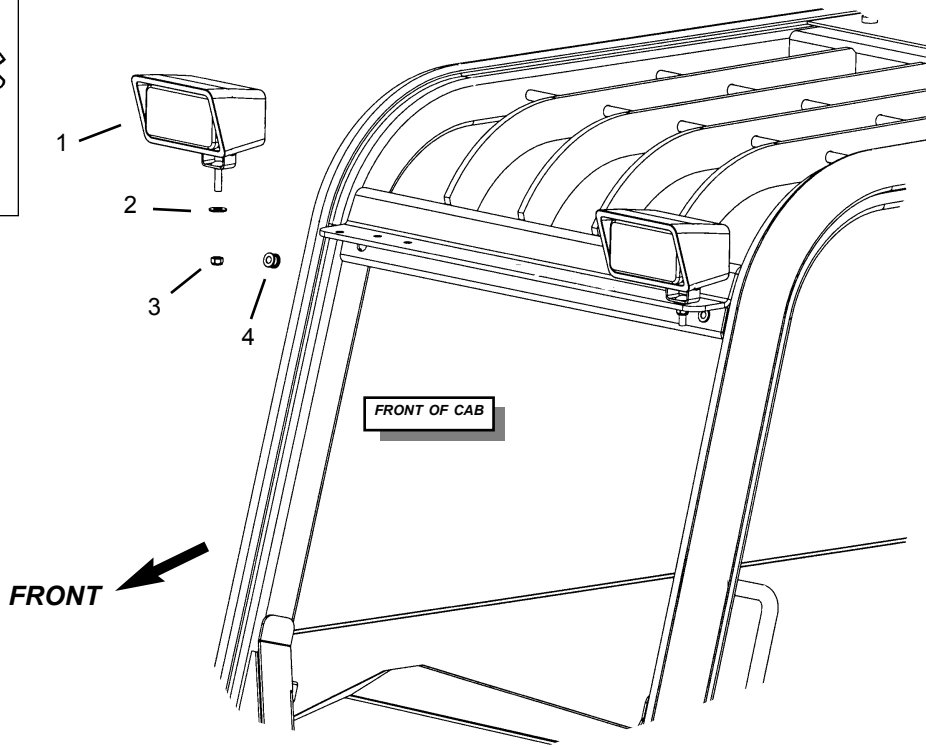
--	50380141	WIRE HARNESS, FRAME
--	210704	WIRE HARNESS, CANOPY
--	50380149	WIRE HARNESS, IT4 - ECU INTERFACE/ENGINE
--	50380315	WIRE HARNESS, FUEL FILTERS (engine) (14" long)
--	50380463	WIRE HARNESS, FUEL FILTERS (engine) (6" long)
--	102572	WIRE HARNESS, LIGHT PACKAGE (option) - Refer to page 23 for more information.

**NOTE:** For additional wire harnesses, refer to their relative location in this parts manual (e.g., Boom section for boom lights).  
**NOTE:** Fuses, relays, and other items shown on these pages are for reference purposes only; your machine might be configured differently and might not include the options shown on this—or other pages—in this parts manual.



Ref. No.	Part No.	Description	Qty. Req.	Ref. No.	Part No.	Description	Qty. Req.
01	L50491	#8-32X5/8" SCREW	4	08	105960	DIODE WIRE	1 (Located under the dash; attaches to park brake switch—clutch cut-out side of the switch.)
02	101877	MODULE, F-N-R SHIFTER	1	09 <sup>a</sup>	50220189	DIODE PACK, 5 DIODES	1 (Included with frame wire harness.)
03	210797	BRACKET, BRAKE MODULE	1	10	L500747	CLEAR COVER, DIODE PACK	1
04	L50538	#8-32 NUT	4				
05	210614	MODULE, BRAKE WARNING	1				
06	L63894	TURN SIGNAL FLASHER	1 (Located inside joystick access cover)				
07	106001	CAN, TERMINATE RECEPTACLE	1 (Included with wire harness.)				
				<sup>a</sup>		Additional diodes are shown on the next page.	

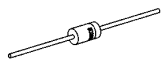
## Front and Rear Lights



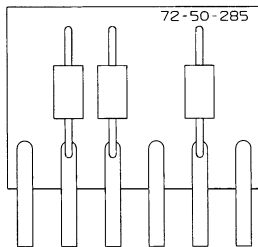


Ref. No.	Part No.	Description	Qty. Req.	Ref. No.	Part No.	Description	Qty. Req.
01	L70039	HEAD LIGHT . . . . .	2	<b>-- ITEMS NOT SHOWN --</b>			
02	654006	3/8" FLAT WASHER . . . . .	2	--a	102647	WIRE HARNESS, REAR LIGHTS. . . 1	
03	L520005	3/8"-16 NYLON INSERT NUT . . . . .	2	--b	102572	HARNESS, LIGHT PACKAGE . . . . 1	
04	101712	GROMMET, 5/8" . . . . .	2			<i>(dash to rear lights - includes the following diodes:)</i>	
06	L70200	BACKUP ALARM. . . . .	1		103101	DIODE PACK <i>(see below)</i> . . . . . 1	
	L50202	1/4"-20X5/8" BOLT, BTNHEAD . . . . .	2		L500748	DIODE PACK <i>(see below)</i> . . . . . 1	
	L50051	1/4"-20 FLANGE NUT . . . . .	2		L500747	CLEAR COVER, DIODE PACK . . . 2	
07	L500339	BEZEL, RUBBER . . . . .	2			<i>(see below)</i>	
		<i>(included with item 8)</i>			L500747	CLEAR COVER, DIODE PACK . . . 2	
08	L70701	LIGHT, BRAKE/TURN . . . . .	2			<i>(see below)</i>	
		<i>(includes item 7 bezel; also includes the light's plug-in connector)</i>			L60587	IN-LINE DIODE <i>(see below)</i> . . . . . 2	
09	L500606	BEZEL, RUBBER . . . . .	1			<i>(located between diode pack and back-up alarm connection)</i>	
		<i>(included with item 10)</i>			--	L63894	TURN SIGNAL FLASHER. . . . . 1
10	L71595	LIGHT, HALOGEN BACKUP. . . . .	1			<i>(located under dash through joystick access cover)</i>	
		<i>(includes item 9 bezel)</i>			--	L70241	HARNESS, HEAD LIGHT . . . . . 2
	100102	JUMPER WIRE, BACKUP LIGHT . . . 1			--	103192	GROMMET, 13/16" . . . . . 2
11	L50202	1/4"X5/8" BTN HD BOLT. . . . .	2			<i>(under dash for head light harness)</i>	
12	L50051	1/4"-20 FLANGE NUT . . . . .	2				
13	210442	REAR COVER. . . . .	1				

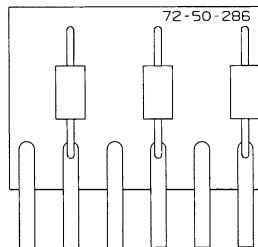
- a Standard wire harness, used when not equipped with turn signals.
- b Used with optional light package for units equipped with turn signals. Wire harness 102647 is not used when unit is equipped with turn signals.



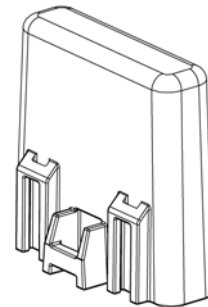
**In-line Diode  
L60587**



**103101  
DIODE PACK  
LOCATED NEAR  
REAR LIGHTS**



**L500748  
DIODE PACK  
LOCATED UNDER DASH  
NEAR SWITCHES**



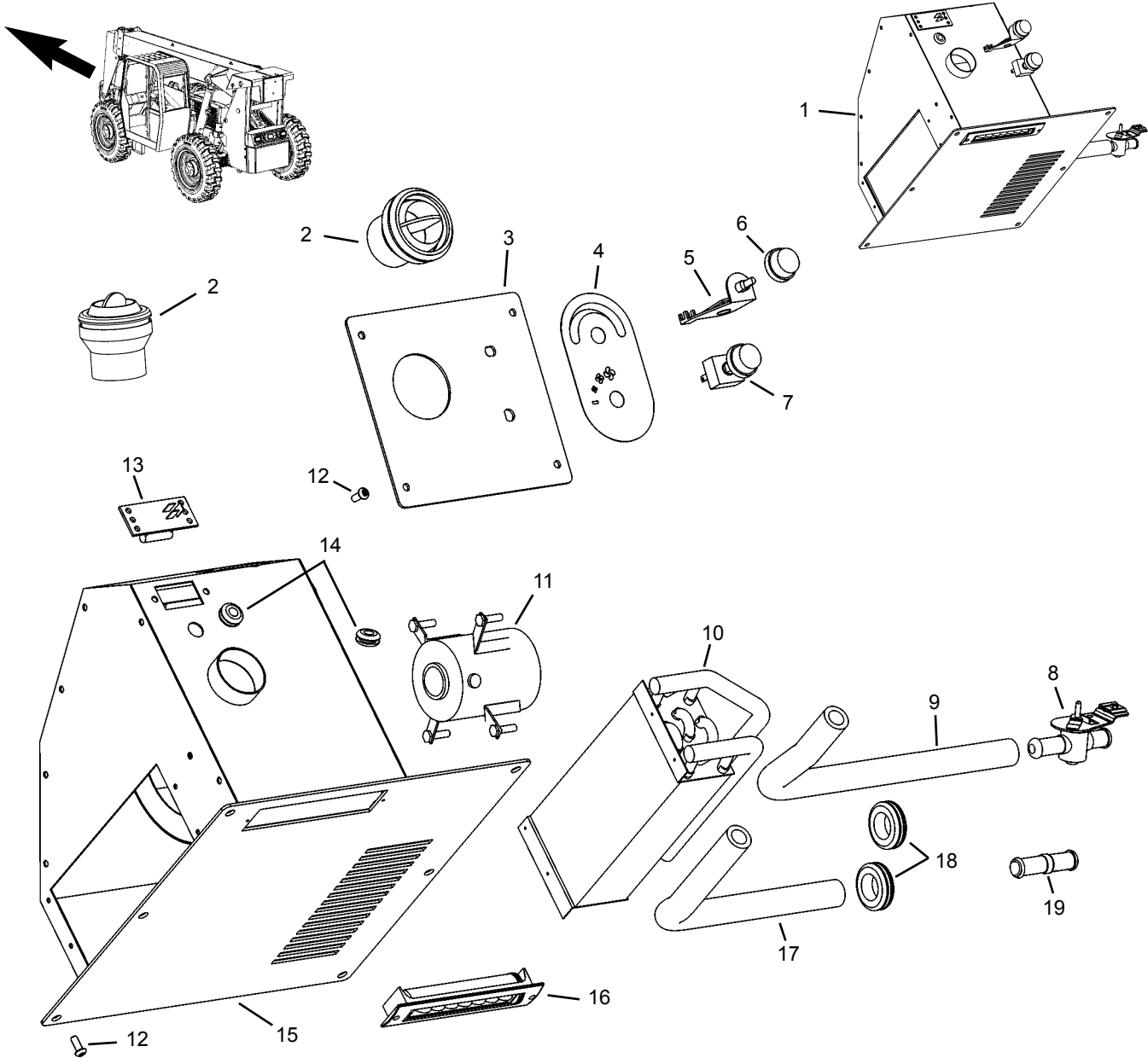
**L500747  
DIODE PACK  
CLEAR COVER**

**NOTE:** Refer to previous page for frame harness diode pack.

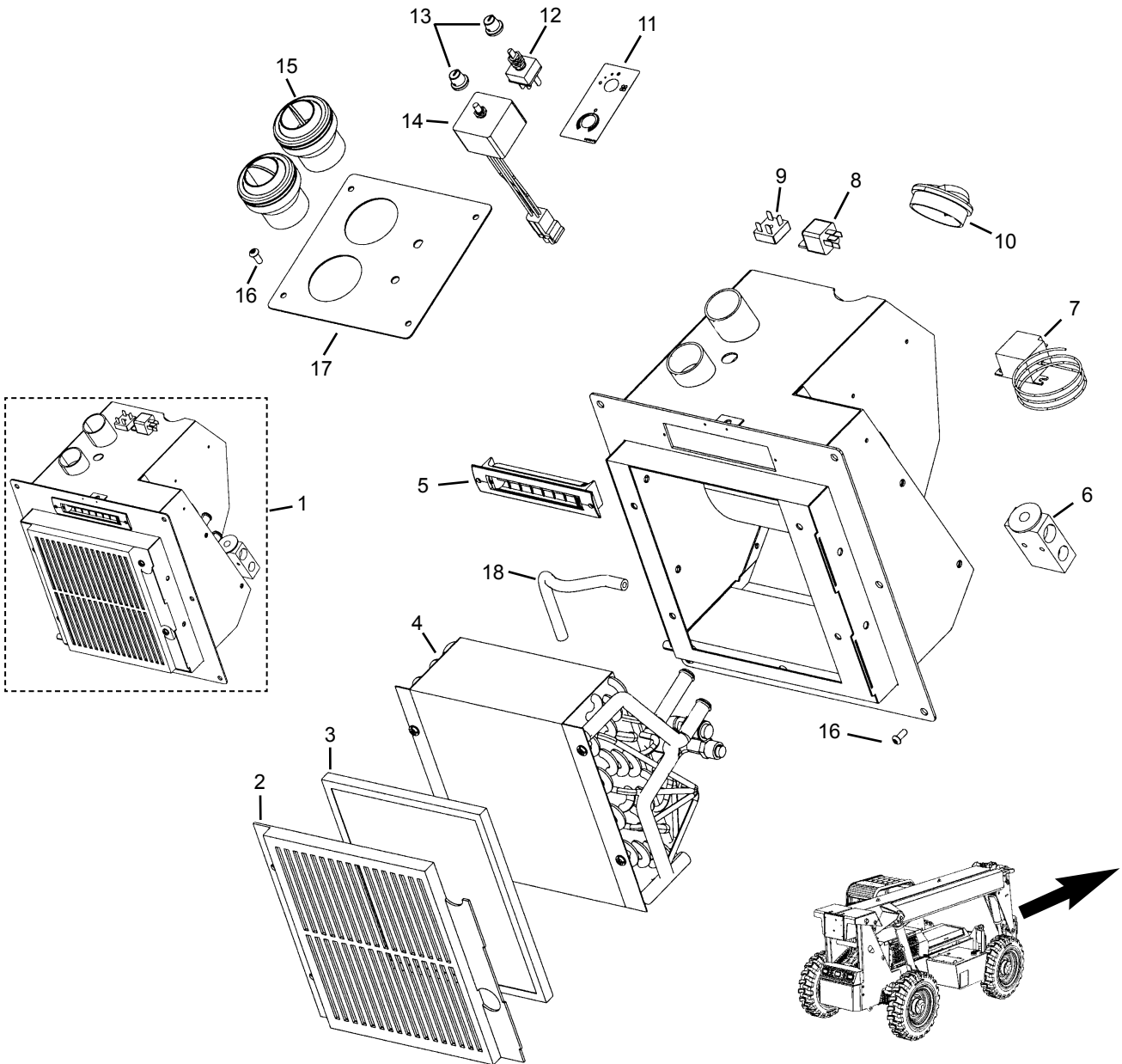
# Cab

## Heater - (Option) - (No A/C)

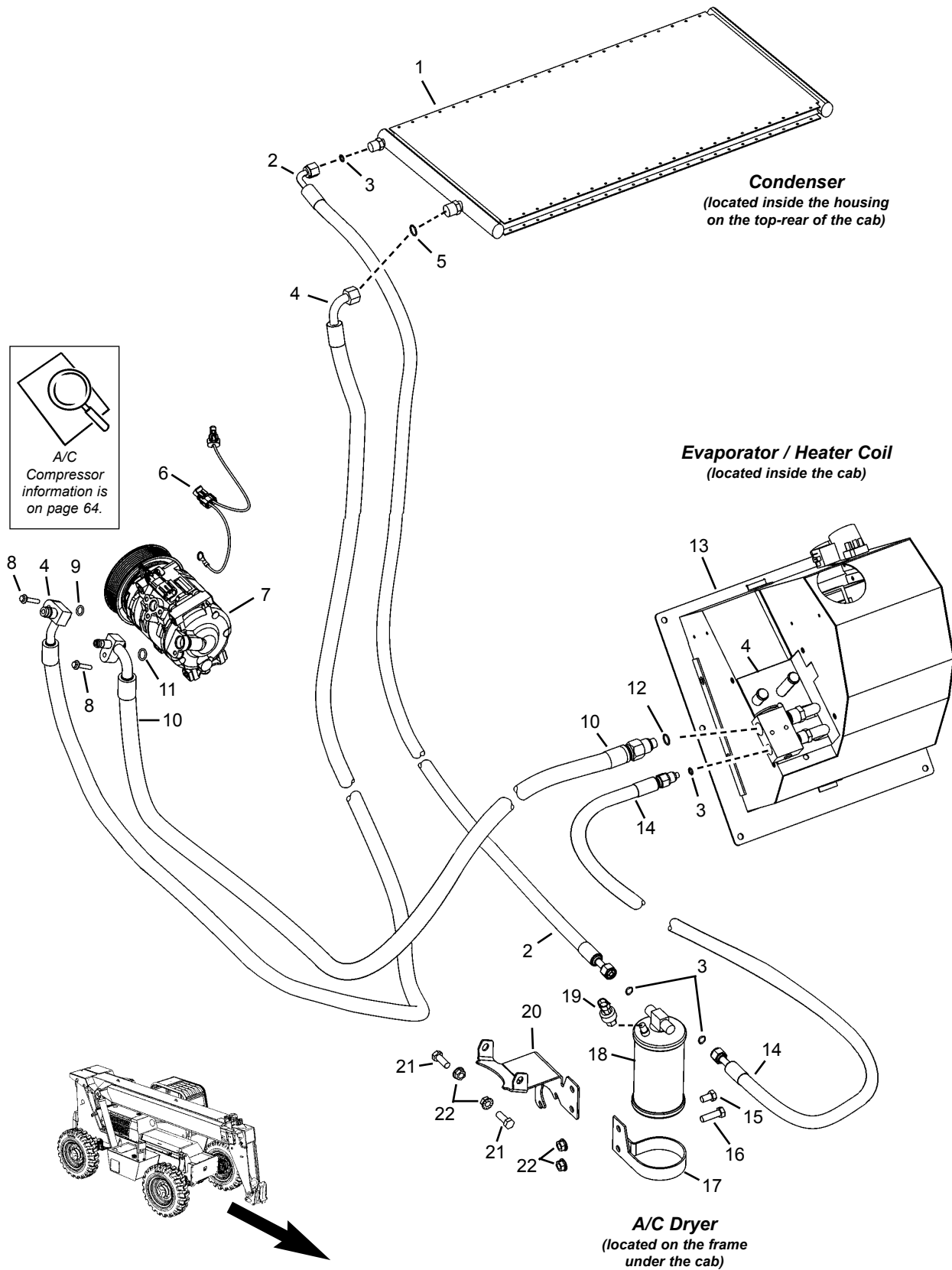
# RS Series



Item No.	Part No.	Description	Qty. Req.	Item No.	Part No.	Description	Qty. Req.
01	102907	HEATER ASSEMBLY . . . . .	1	09	NSS	HOSE, 5/8" - FORMED . . . . .	1
		<i>(Includes items 5-11; 13-19)</i>		10	50380847	HEATER CORE . . . . .	1
02	L63545	GRILL, DEFROSTER . . . . .	2	11	103033	BLOWER MOTOR . . . . .	1
03	102944	INSTRUMENT PANEL . . . . .	1			<i>(does not include fan/cage)</i>	
04	102945	DECAL, HEAT CONTROL . . . . .	1	12	L50202	1/4"-20X5/8" BUTTN HD BOLT . . . . .	10
05	187841	CONTROL, TEMPERATURE . . . . .	1	13	136310	RESISTOR BLOCK . . . . .	1
		<i>(does not include knob)</i>		14	NSS	GROMMET 5/8" OD X 3/8" ID . . . . .	2
06	273968	KNOB <i>(not included with item 5)</i> . . . . .	1	15	NSS	HOUSING . . . . .	1
07	136305	SWITCH, VARIABLE SPEED . . . . .	1	16	137503	LOUVER . . . . .	1
	50300066	PANEL MOUNT NUT <i>(included)</i> . . . . .	2	17	NSS	HOSE, 5/8" - FORMED . . . . .	1
		<b>(NOTE: switch includes knob; knob not sold separately)</b>		18	NSS	GROMMET 1-3/8" OD X 1" ID . . . . .	2
08	L500163	VALVE, WATER . . . . .	1	19	NSS	HOSE COUPLER . . . . .	1



Ref. No.	Part No.	Description	Qty. Req.	Ref. No.	Part No.	Description	Qty. Req.
01	210796	HVAC ASSEMBLY . . . . .	1	10	420-36290	LOUVER . . . . .	1
		<i>(Includes items 2-9)</i>		11	189049	DECAL, A/C HEATER CONTROL . . .	1
	211147	FAN ASSEMBLY <i>(only)</i> . . . . .	1	12	136305	SWITCH, VARIABLE SPEED . . . . .	1
02	211145	FILTER COVER . . . . .	1		50300066	PANEL MOUNT NUT <i>(included)</i> . . .	2
03	211146	FILTER, CAB AIR . . . . .	1	13	139279	KNOB . . . . .	2
04	211149	EVAPORATOR/HEATER COIL . . . . .	1	14	189033	MODULE, A/C CONTROL . . . . .	1
05	137503	LOUVER . . . . .	1	15	L63545	GRILL, VENT . . . . .	2
06	211148	EXPANSION VALVE . . . . .	1	16	L50202	1/4"-20X5/8" BUTTN HD BOLT . . .	10
07	138623	COLD CONTROL SWITCH . . . . .	1	17	211023	PANEL, HVAC CONTROL . . . . .	1
08	242145	RELAY . . . . .	1	18	201179	HOSE, OVERFLOW . . . . .	1
09	242875	RECTIFIER PACK . . . . .	1				

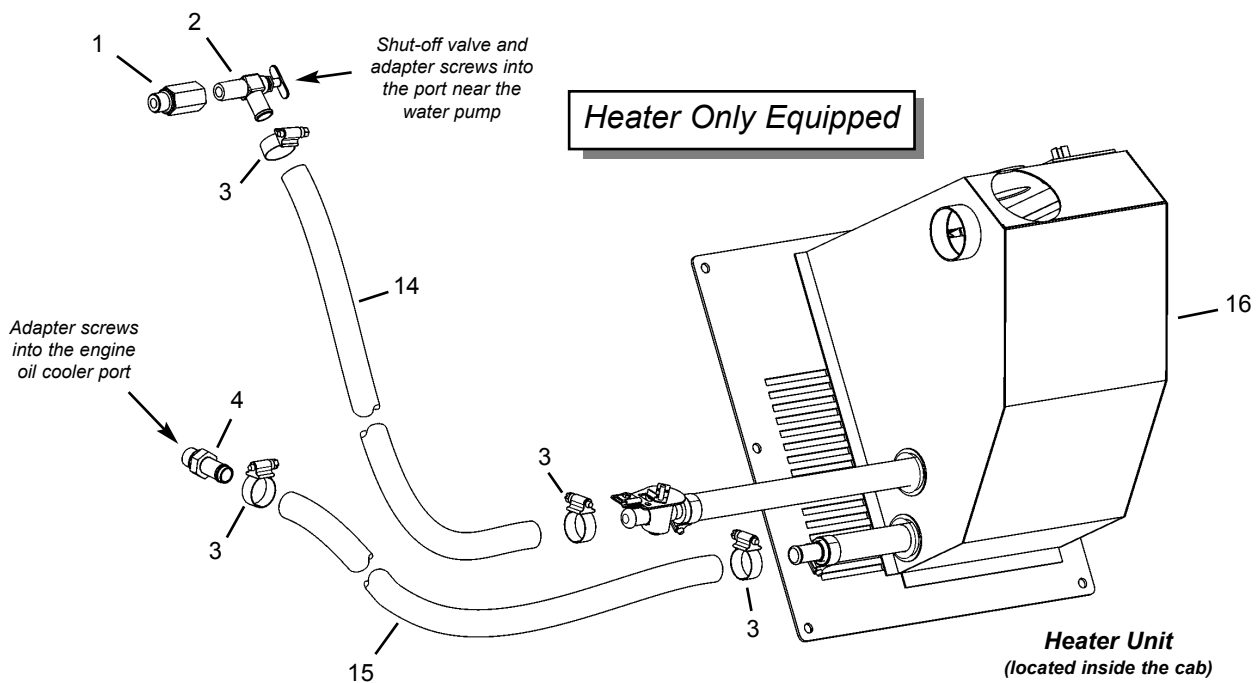
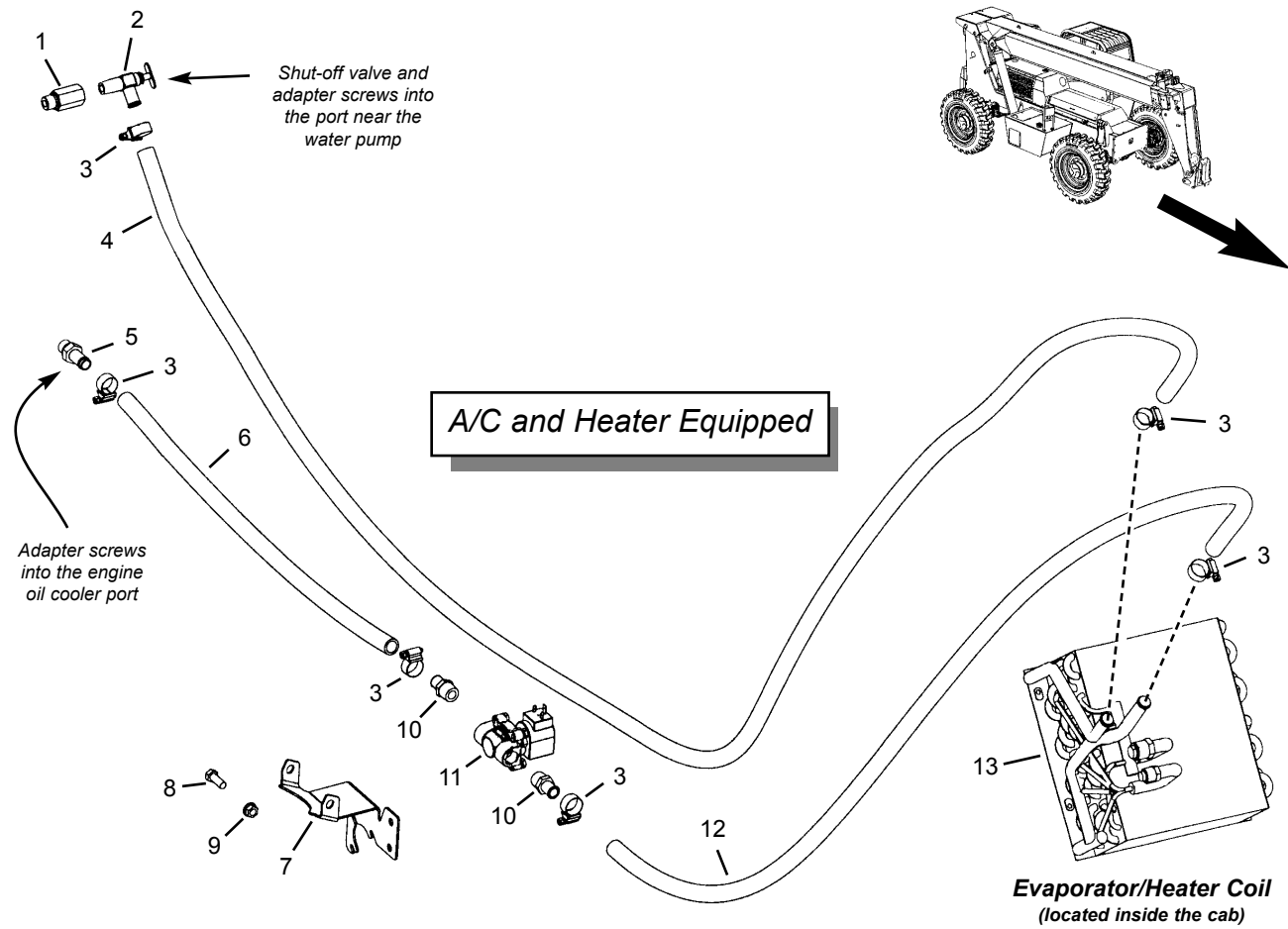


# Telescopic Handler

# Cab A/C Circuit (Option)

Ref. No.	Part No.	Description	Qty. Req.	Ref. No.	Part No.	Description	Qty. Req.
01	L500595	CONDENSER .....	1	12	138779	O-RING .....	1
02	211010	HOSE, #6 COND./DRYER .....	1	13	210796	HVAC UNIT ( <i>Evaporator/Heater</i> )...	1
03	138777	O-RING .....	4	14	211009	HOSE, #6 DRYER/EVAP. ....	1
04	50380458	HOSE, #8 COND./COMP. ....	1	15	650450	CS 3/8 x 5/8 C5ZY .....	1
05	138778	O-RING .....	1	16	650491	CS 3/8 x 1-1/4 C5ZY .....	1
06	50380460	A/C COMPRESSOR HARNESS...	1	17	138651	CLAMP, DRYER .....	1
07	50380423	A/C COMPRESSOR .....	1	18	138649	A/C DRYER. ....	1
08	651759	CS M6-10.0x30 .....	2	19	138714	SWITCH, BINARY.....	1
09	50380445	O-RING .....	1	20	211055	MOUNT, DRYER / VALVE.....	1
10	50380459	HOSE, #10 COMP./EVAP. ....	1	21	650490	CS 3/8 x 1 C5ZY .....	2
11	50380446	O-RING .....	1	22	090666	HN FL SLOC 3/8 CZY .....	4

## Heater Circuit (Option)

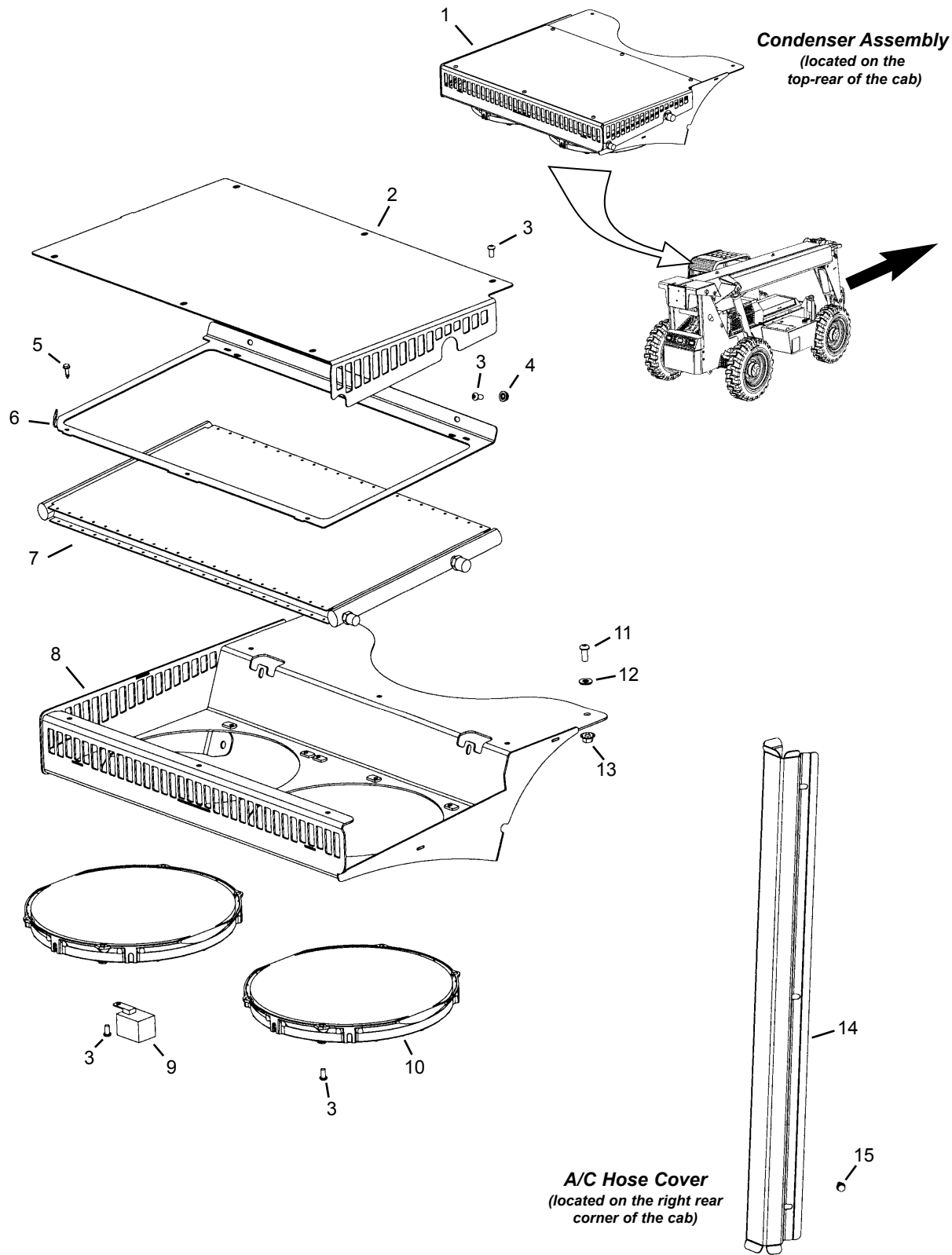


# Telescopic Handler

# Cab Heater Circuit (Option)

Ref. No.	Part No.	Description	Qty. Req.	Ref. No.	Part No.	Description	Qty. Req.
01	210049	ST-LL FP06-ISO6149-18.....	1	10	186193	ST 1/2MPT x 5/8" HOSE.....	2
02	L68592	SHUT-OFF, MANUAL.....	1	11	186703	HEATER-A/C SOLENOID.....	1
03	095955	CLAMP, HOSE #10.....	6	12	230209	HOSE, HEATER 5/8" x 60".....	1
04	230210	HOSE, HEATER 5/8" x 108".....	1		272546	SPRING GUARD ( <i>not shown</i> ).....	1
	272546	SPRING GUARD ( <i>not shown</i> ).....	1	13	211149	EVAPORATOR/HEATER COIL.....	1
05	L447005	ST HB10-ISO6149-18.....	1			( <i>refer to page 25 for parts listing</i> )	
06	230208	HOSE, HEATER 5/8" x 36".....	1	14	NSS	HEATER HOSE 5/8" x 60".....	1
07	211055	MOUNT, DRYER / VALVE.....	1	15	NSS	HEATER HOSE 5/8" x 48".....	1
08	650490	CS 3/8 x 1 C5ZY.....	2	16	102907	HEATER ASSEMBLY.....	1
09	090666	LN FL SERR 3/8 CZY.....	5			( <i>refer to page 24 for parts listing</i> )	

**A/C Condenser - (A/C Equipped - Option)**



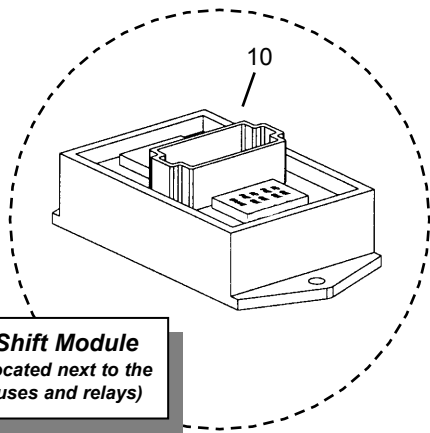
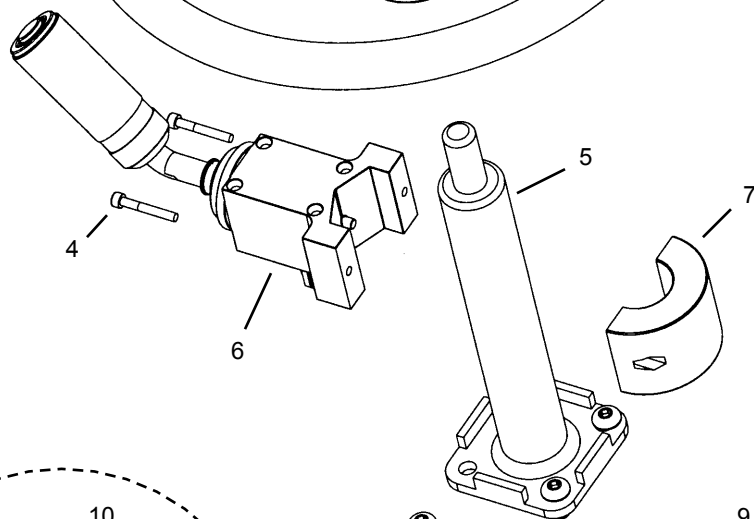
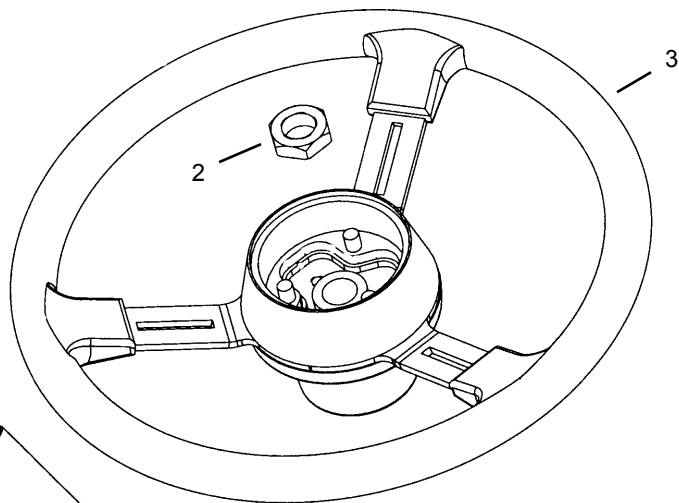
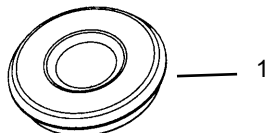
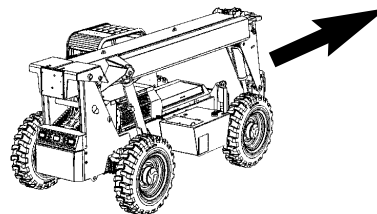


# Telescopic Handler

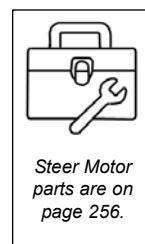
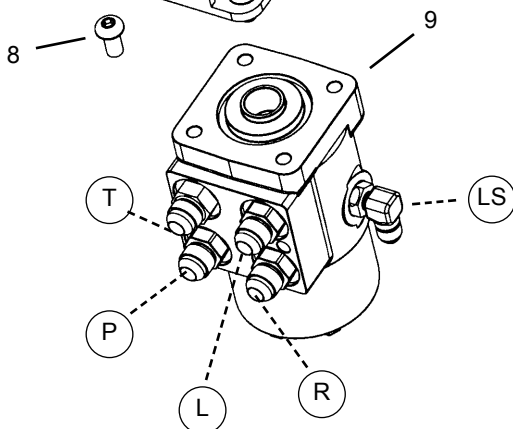
# Cab

## A/C Condenser - (A/C Equipped - Option)

Ref. No.	Part No.	Description	Qty. Req.	Ref. No.	Part No.	Description	Qty. Req.
01	211052	CONDENSER ASSEMBLY . . . . . 1 <i>(includes items 1-10)</i>		08	211045	CONDENSER HOUSING . . . . . 1	
02	211039	COVER, CONDENSER HOUSING . 1		09	420-35602	RELAY . . . . . 1	
03	089888	BHSCS 1/4" x 1/2" . . . . . 17		10	L500594	CONDENSER FAN ASSEMBLY . . . 2	
04	L50051	FLANGE LN 1/4"-20 . . . . . 2		11	651640	BHSCS 5/16" x 3/4" . . . . . 4	
05	L500596	SELF-TAP SCREW 3/16" x 5/8" . . . 6		12	210765	FW 5/16" ZY SEALING . . . . . 4	
06	211035	MOUNT, CONDENSER COIL . . . . . 1		13	070648	LN LG FL SERR 5/16 CZ . . . . . 4	
07	L500595	CONDENSER COIL . . . . . 1		14	210833	COVER, A/C HOSES . . . . . 1	
				15	650315	SELF-TAP SCREW 1/4" x 1/2" . . . . 3	



**Shift Module**  
(located next to the fuses and relays)



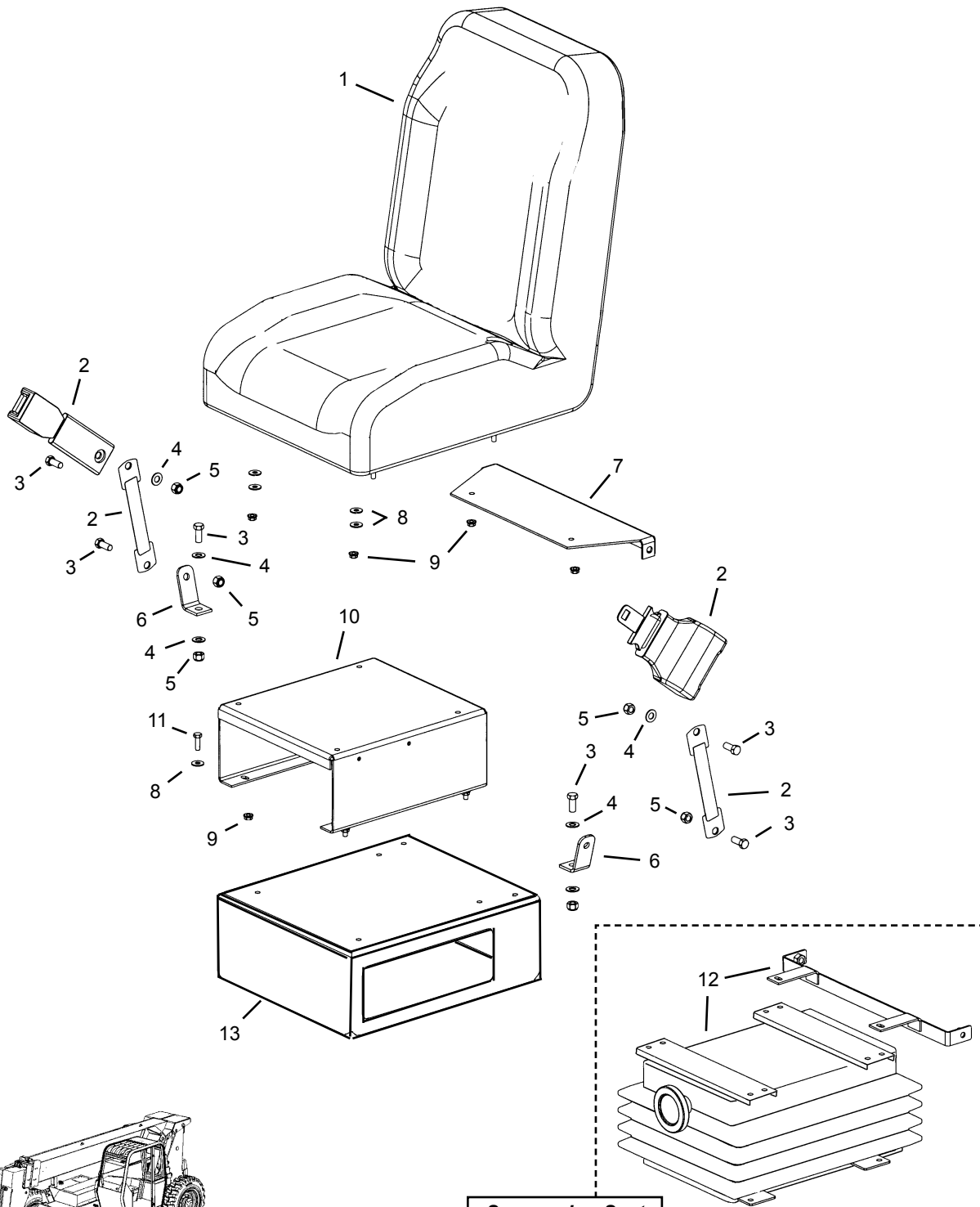
Steer Motor parts are on page 256.

# Telescopic Handler

# Cab

## Steering Column Components

Ref. No.	Part No.	Description	Qty. Req.	Ref. No.	Part No.	Description	Qty. Req.
01	103359	CAP, STEERING WHEEL . . . . .	1	08	651625	3/8"-16X1-1/4" BUTTN HD BOLT . . .	4
02	L41261	NUT, STEERING WHEEL . . . . .	1	09	101880	MOTOR, STEER . . . . .	1
03	L69595	STEERING WHEEL . . . . .	1	10	101877	MODULE, F-N-R SHIFTER. . . . .	1
04	L50101	M5X.8X35mm HX SKTHD BOLT . . .	2		L50491	#8-32X5/8" SCREW . . . . .	2
05	102783	COLUMN, STEERING. . . . .	1		L50538	#8-32 NUT . . . . .	2
06		F-N-R/SHIFTER ( <i>includes #7</i> ). . . . .	1				
	L68772	<i>Note x</i>		x		<i>Only RS6-42 and RS8-42/44</i>	
	210479	<i>Note y</i>		y		<i>Only RS10-44/55 and RS12-42</i>	
	L99425	BOOT ( <i>fits both shifters</i> ). . . . .	1				
07	105236	CLAMP, SHIFTER( <i>included w/ #6</i> ) .	1				



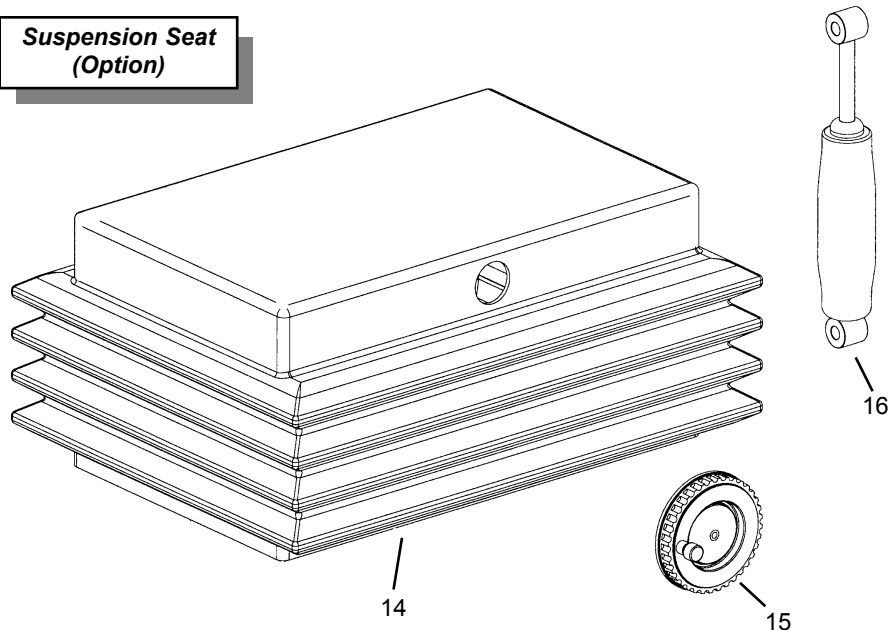
**Suspension Seat  
(Option)**

Ref. No.	Part No.	Description	Qty. Req.	Ref. No.	Part No.	Description	Qty. Req.
01	210170	SEAT . . . . .	1	13	103195	PEDESTAL / BOLT ON SEAT . . . . .	1
02	L70634	SEAT BELT ( <i>includes tethers</i> ) . . . . .	1		650490	3/8"X1" BOLT . . . . .	2
03	650630	7/16"-20X1" BOLT . . . . .	AR		650533	3/8"X1-1/2" BOLT . . . . .	2
04	L50196	7/16" FLAT WASHER . . . . .	AR		654006	3/8" FLAT WASHER . . . . .	8
05	L50517	7/16"-20 NYLON INSERT NUT . . . . .	AR		L520005	3/8" NYLON INSERT NUT . . . . .	4
06	L70212	BRACKET, TETHER . . . . .	2	14 <sup>b</sup>	210403	BELLOWS, SEAT ( <i>boot only</i> ) . . . . .	1
07 <sup>a</sup>	L70201	MOUNT, SEAT BELT . . . . .	1	15 <sup>b</sup>	210405	ADJUSTMENT KNOB . . . . .	1
08	654004	5/16" FLAT WASHER . . . . .	AR	16 <sup>b</sup>	210404	SHOCK, SUSP. SEAT . . . . .	1
09	L50056	5/6"-18 NYLON INSERT NUT . . . . .	AR				
10 <sup>a</sup>	100071	SEAT RISER . . . . .	1				
11	650487	5/16"-18X1" BOLT . . . . .	AR				
12 <sup>b</sup>	L68496	BELLOWS, SUSPENSION SEAT . . . . . ( <i>includes seat belt / tether bracket</i> )	1				

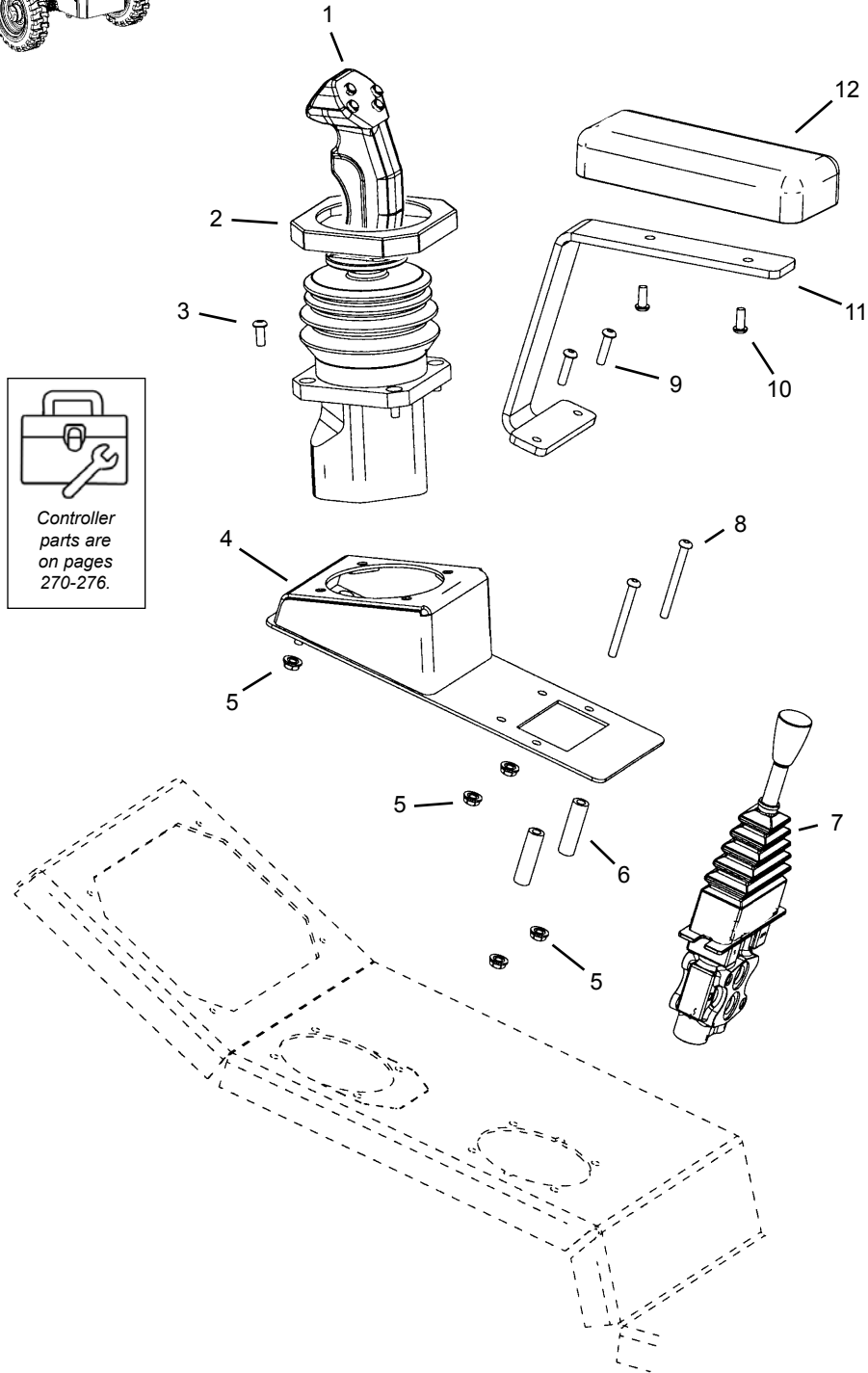
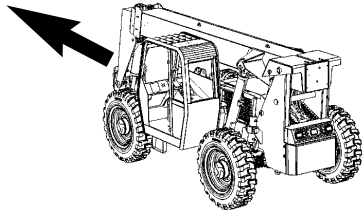
*a Used for standard seat only; not used with suspension seat option.*

*b Used for suspension seat option only.*

**Suspension Seat  
(Option)**



## Tri-Function Cab Components - Option

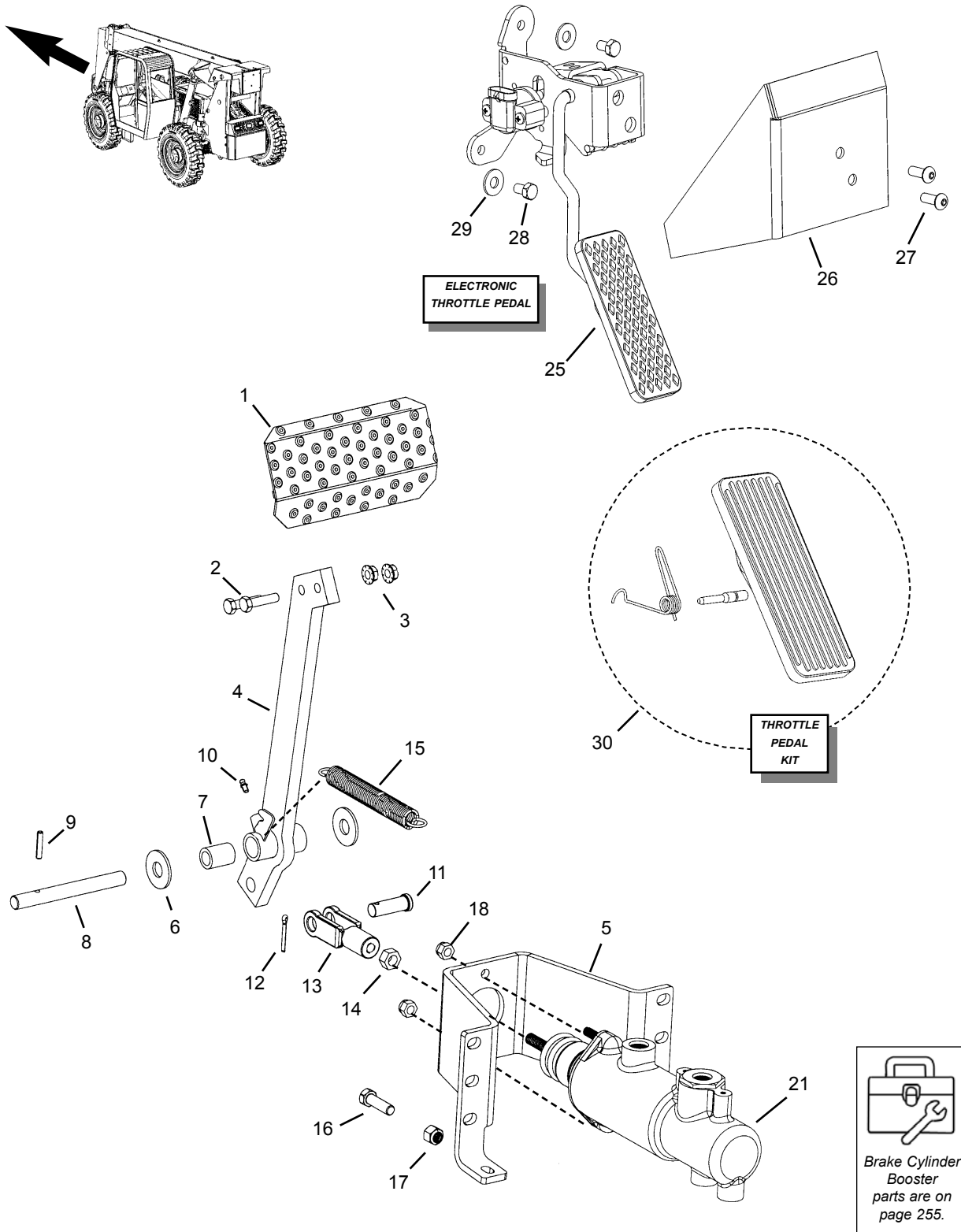


# Telescopic Handler

# Cab

## Tri-Function Cab Components - Option

Ref. No.	Part No.	Description	Qty. Req.	Ref. No.	Part No.	Description	Qty. Req.
01	104083	CONTROLLER, 4 BTN/W TRIG . . .	1	07	102435	CONTROLLER, LEVEL . . . . .	1
02	104304	BEZEL, JOYSTICK . . . . .	1	08	104219	1/4"-20X2-1/2" BTN HD BOLT . . . . .	2
		<i>(included with item 1)</i>		09	L52024	1/4"-20X1" BTN HD BOLT . . . . .	2
03	L50202	1/4"-20X5/8" BTN HD BOLT . . . . .	AR	10	L52024	1/4"-20X1" BTN HD BOLT . . . . .	2
04	103582	JOYSTICK MOUNT . . . . .	1	11	103708	BRACKET, ARM REST . . . . .	1
05	L50051	1/4"-20 FLANGE LOCK NUT . . . . .	AR	12	L69756	PAD, ARM REST . . . . .	1
06	104214	SPACER, LEVEL CONTROLLER . .	1				



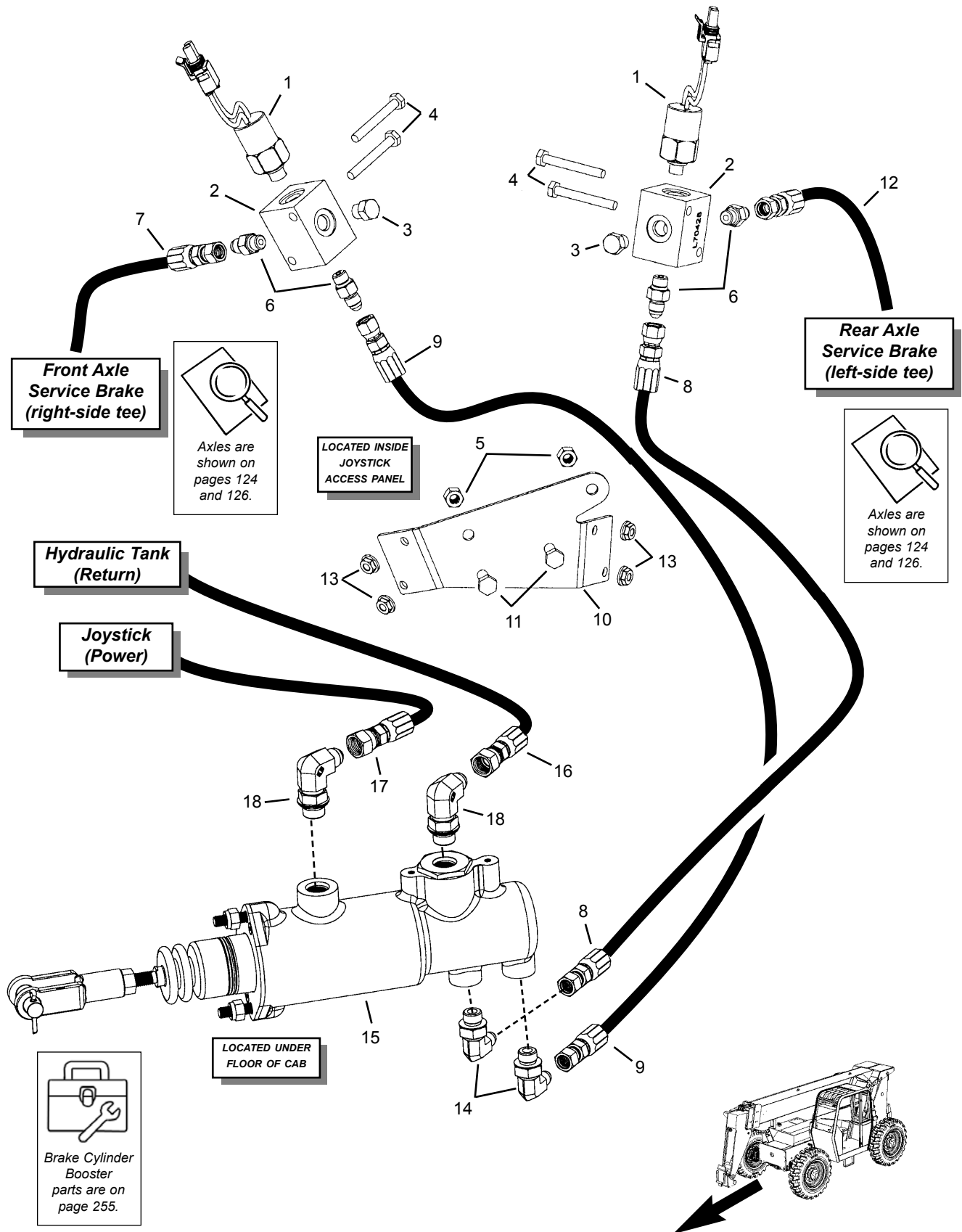


# Telescopic Handler

# Cab

## Brake and Accelerator Pedals

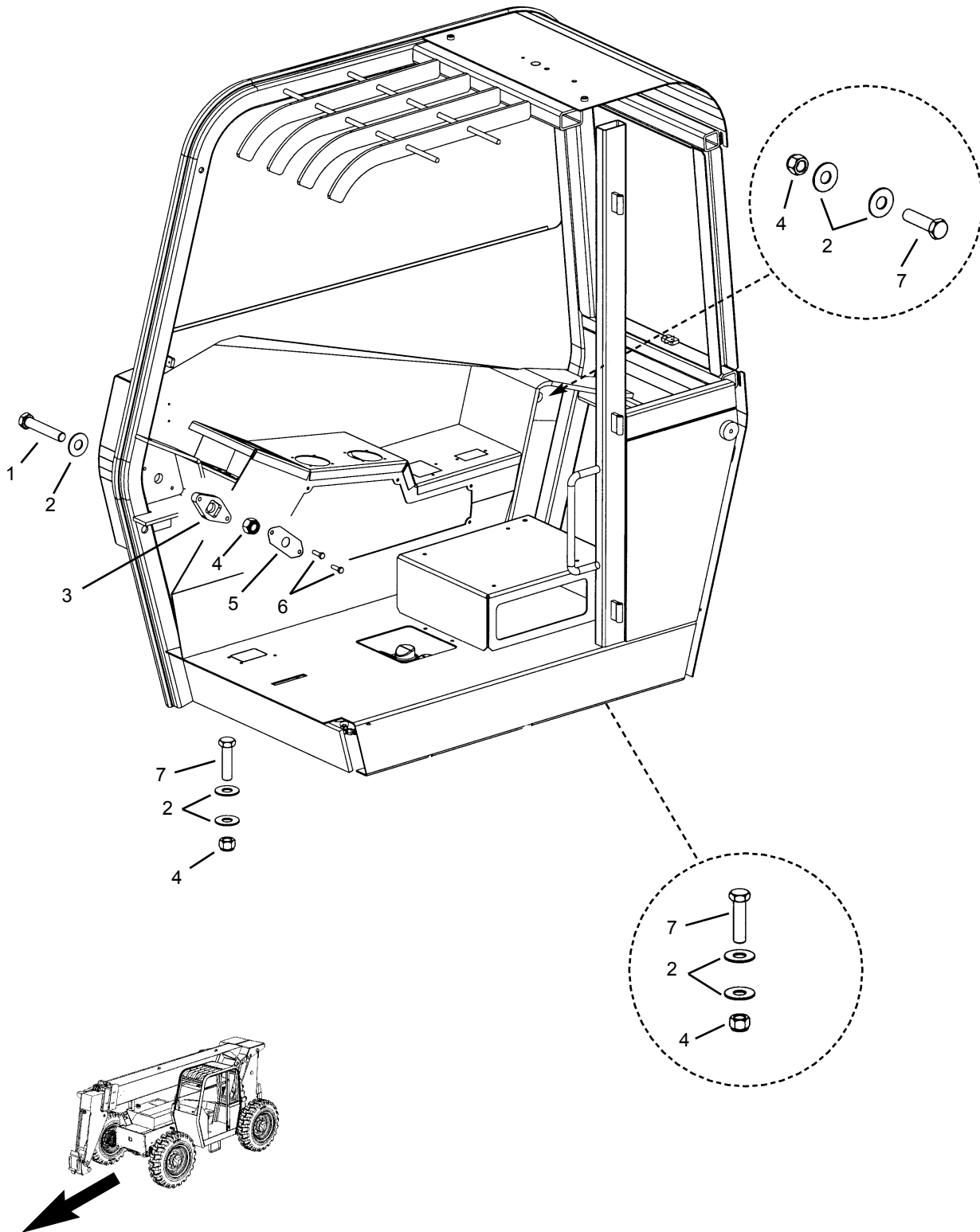
Ref. No.	Part No.	Description	Qty. Req.	Ref. No.	Part No.	Description	Qty. Req.
01	L63230	PAD, BRAKE PEDAL .....	1	16	650491	3/8"X1-1/4" BOLT .....	4
02	L50235	5/16"-18X1-1/4" BOLT .....	2	17	L520005	3/8" NYLON INSERT NUT .....	4
03	L50056	5/16"-18 FLANGE NUT .....	2	18	651458	M8-1.25 LOCK NUT .....	1
04	210609	BRAKE LEVER ASSEMBLY .....	1	21	210253	BRAKE CYLINDER, BOOSTER ...	1
		<i>(includes item 7)</i>		25	50381115	THROTTLE, ELECTRONIC .....	1
05	210317	BRACKET, BRAKE BOOSTER ....	1	26	105287	COVER, ELEC. THROTTLE .....	1
06	L50151	1/2" FLAT WASHER .....	1	27	L52025	5/16"-18X3/4" BUTTN HD BOLT ...	2
07	210608	BRONZE BUSHING .....	1		L530004	5/16"-18 RETAIN/CLIP NUT .....	2
		<i>(included with item 4)</i>		28	L50228	5/16"-18X3/4" BOLT .....	2
08	102529	PIN, BRAKE LEVER PIVOT .....	1	29	654004	5/16" FLAT WASHER .....	2
09	L50628	ROLL PIN, 0.19X1 .....	1	30	107001	KIT, THROTTLE PEDAL .....	1
10	L10465	ZERK, GREASE 1/4"-28 .....	1			<i>(Includes pedal, pin and spring only;</i>	
11	L44859	PIN, CLEVIS 1/2"X27/64" .....	1			<i>does not include electronic throttle.)</i>	
12	L50607	1/8"X1" COTTER PIN .....	1				
13	210328	YOKE, CLEVIS M10X1.5 .....	1				
14	656049	M10-1.5 LOCK NUT .....	1				
15	L561004	SPRING, 13GA. 0.73X6" .....	1				
						<b>-- ITEMS NOT SHOWN--</b>	
						<b>(Throttle Wire Harness)</b>	
				--	50380309	WIRE HARNESS, THROTTLE ....	1



# Telescopic Handler

# Cab Brake Valve

Ref. No.	Part No.	Description	Qty. Req.	Ref. No.	Part No.	Description	Qty. Req.
01	210828	PRESSURE SWITCH (150 psi) . . .	2	10	210798	BRACKET, PRESS. SWITCH . . . . .	1
02	L70428	MANIFOLD, BRAKE LINE. . . . .	1	11	650486	5/16"X3/4" BOLT . . . . .	2
03	230-32364	PLUG, -4ORM SAE . . . . .	1	12	102840	HOSE, -4 A4/A6 90" . . . . .	1
04	650706	1/4"X2" BOLT. . . . .	4	13	L50051	1/4" FLANGE LOCK NUT . . . . .	4
05	L520004	5/16" NYLON INSERT NUT . . . . .	2	14	210449	ADAP., MJO4 MMAORB14 90°. . . . .	2
06	230-32195	ADAP., -4ORM -4JICM . . . . .	4	15	210253	BRAKE CYLINDER, BOOSTER . . . . .	1
07	102842	HOSE, -4 A4/A6 66" . . . . .	1	16	L69920	HOSE, -4 A6/A6 40" . . . . .	1
08	104111	HOSE, -4 A4/A4 18" . . . . .	1	17	102843	HOSE, -4 A6/DS6 35" . . . . .	1
09	104111	HOSE, -4 A4/A4 18" . . . . .	1	18	210450	ADAP., MJ06 MMAORB16 90° . . . . .	2

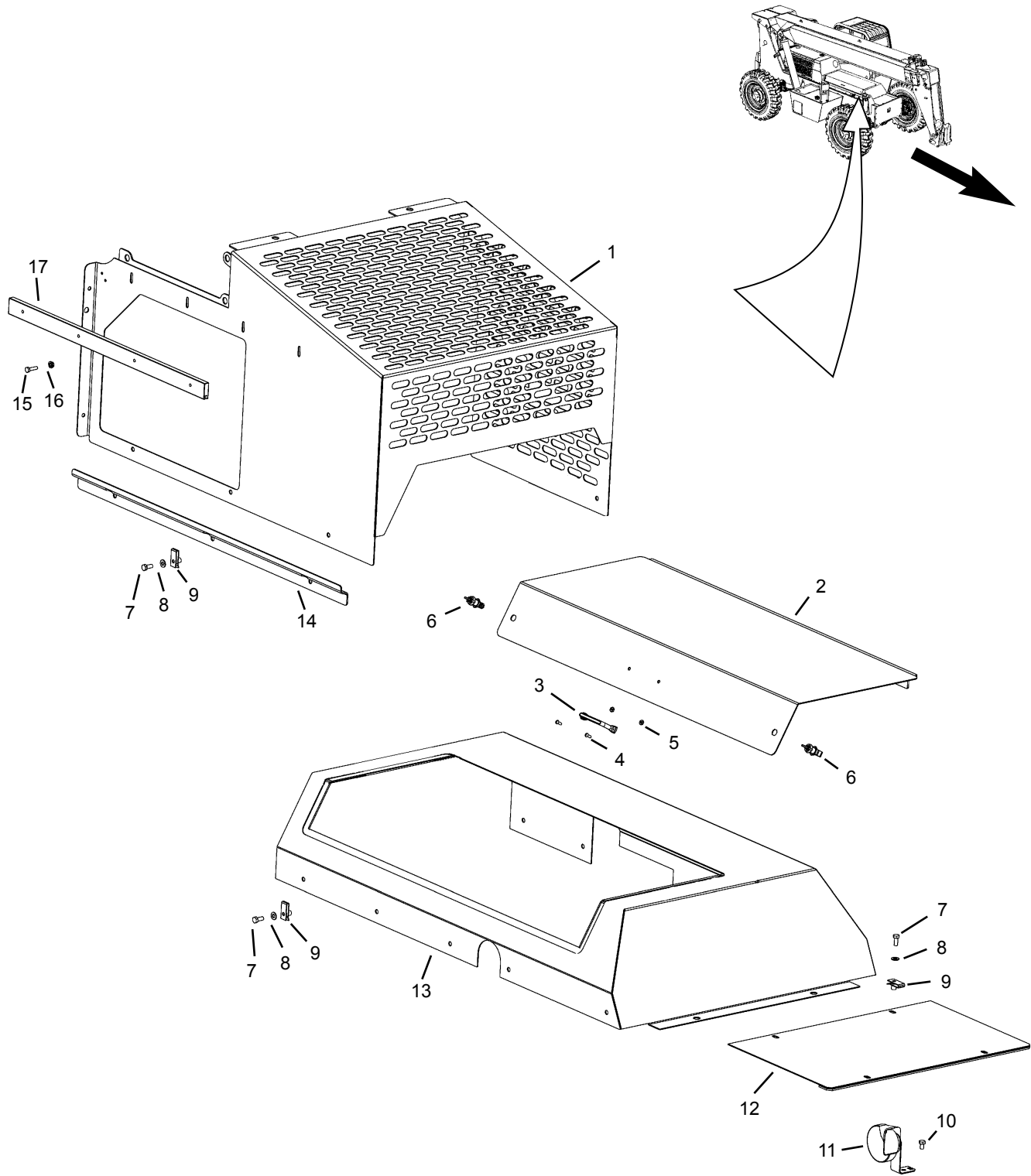


# Telescopic Handler

# Cab Mounts

Ref. No.	Part No.	Description	Qty. Req.	Ref. No.	Part No.	Description	Qty. Req.
01	102779	1"-8X5-1/2" GR8 BOLT . . . . .	1	07	102883	1"-8X3-3/4" GR8 BOLT . . . . .	3
02	651151	1" SAE FLAT WASHER . . . . .	7				
03	102741	RETAINER, CANOPY NUT . . . . .	1				
04	102781	1"-8 CLASS C LOCK NUT . . . . .	4	--	L63813	<b>-- ITEMS NOT SHOWN--</b> HOLE PLUG, 2-1/2" DIA . . . . .	1
05	101667	WASHER, CANOPY NUT . . . . .	1			<i>(plugs hole in cab where side bolt attaches)</i>	
06	650491	3/8"-16X1-1/4" BOLT . . . . .	2				

## Hoods and Covers - Front-Half



# Telescopic Handler

# Chassis

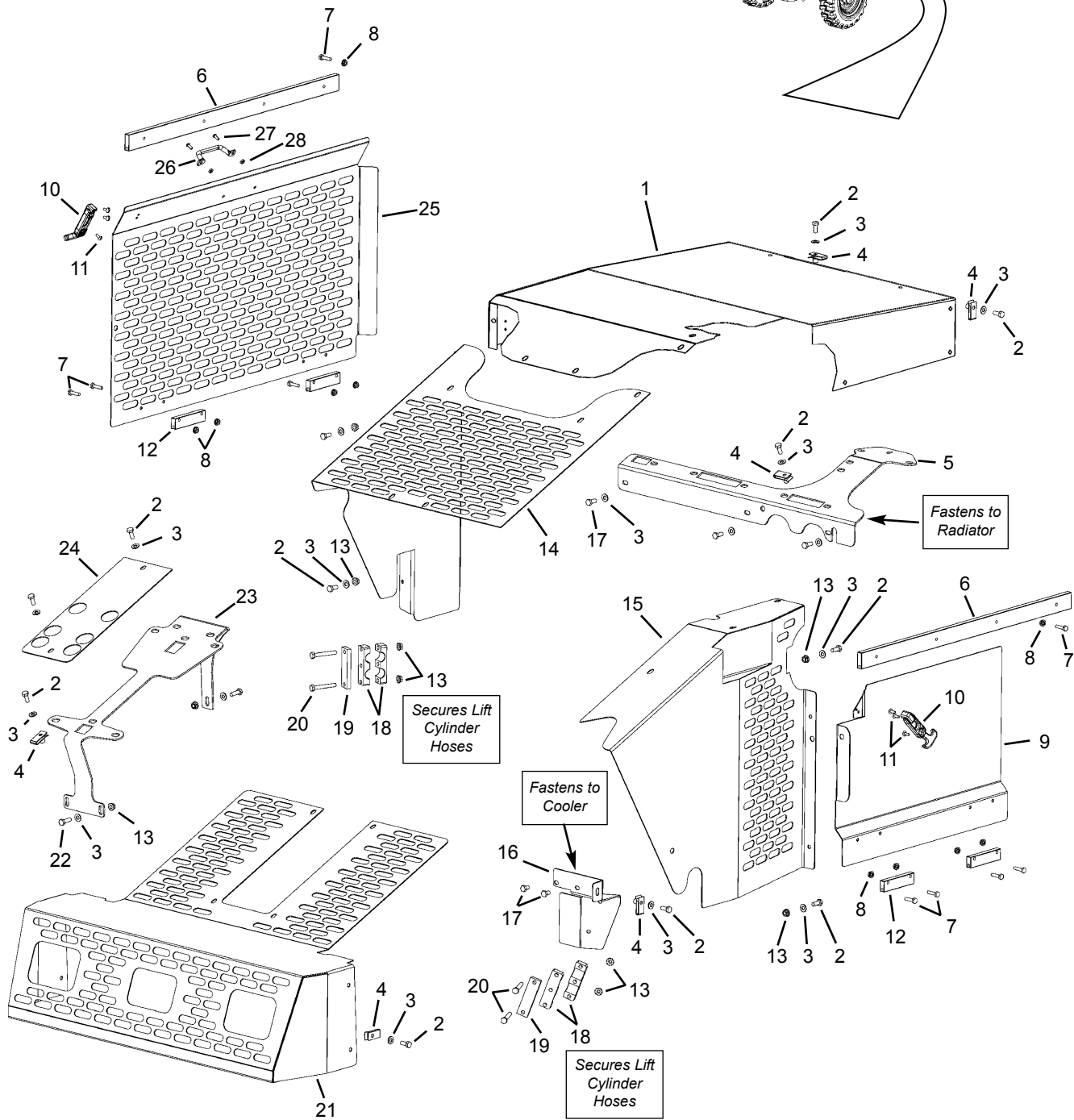
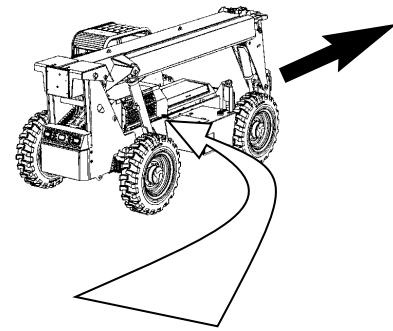
## Hoods and Covers - Front-Half

Ref. No.	Part No.	Description	Qty. Req.	Ref. No.	Part No.	Description	Qty. Req.
01	50380280	HOOD, ENGINE . . . . .	1	12		COVER, FRONT FRAME . . . . .	1
02	50380287	COVER, ACCESS . . . . .	1		102423	<i>Note x</i>	
03	L64673	HANDLE . . . . .	1		210764	<i>Note y</i>	
04	650387	#10-32X1/2" SCREW . . . . .	2	13	50380281	HOOD, FRONT . . . . .	1
05	L50050	#10-32 NUT . . . . .	2	14	50380150	SLIDE RAIL . . . . .	1
06	104222	LATCH . . . . .	2	15	650835	CS 1/4"X1" C5ZY . . . . .	AR
07	650486	5/16"-18X3/4" BOLT . . . . .	AR	16	L50051	1/4" FLANGE LOCK NUT . . . . .	AR
08	650810	5/16" FLAT WASHER . . . . .	AR	17	L65896	GUIDE, NYLATRON 28" ( <i>shown</i> ) . . . . .	1
09	L530004	5/16" RETAINED NUT CLIP . . . . .	AR			( <i>An additional guide is used on the left side—refer to the next page.</i> )	
10	650484	5/16"X1/2" BOLT . . . . .	1				
11	L41847	HORN, 12 VOLT . . . . .	1				
				x		<i>Only RS6-42 and RS8-42/44</i>	
				y		<i>Only RS10-44/55 and RS12-42</i>	

# Chassis

# RS Series

## Hoods and Covers - Rear-Half



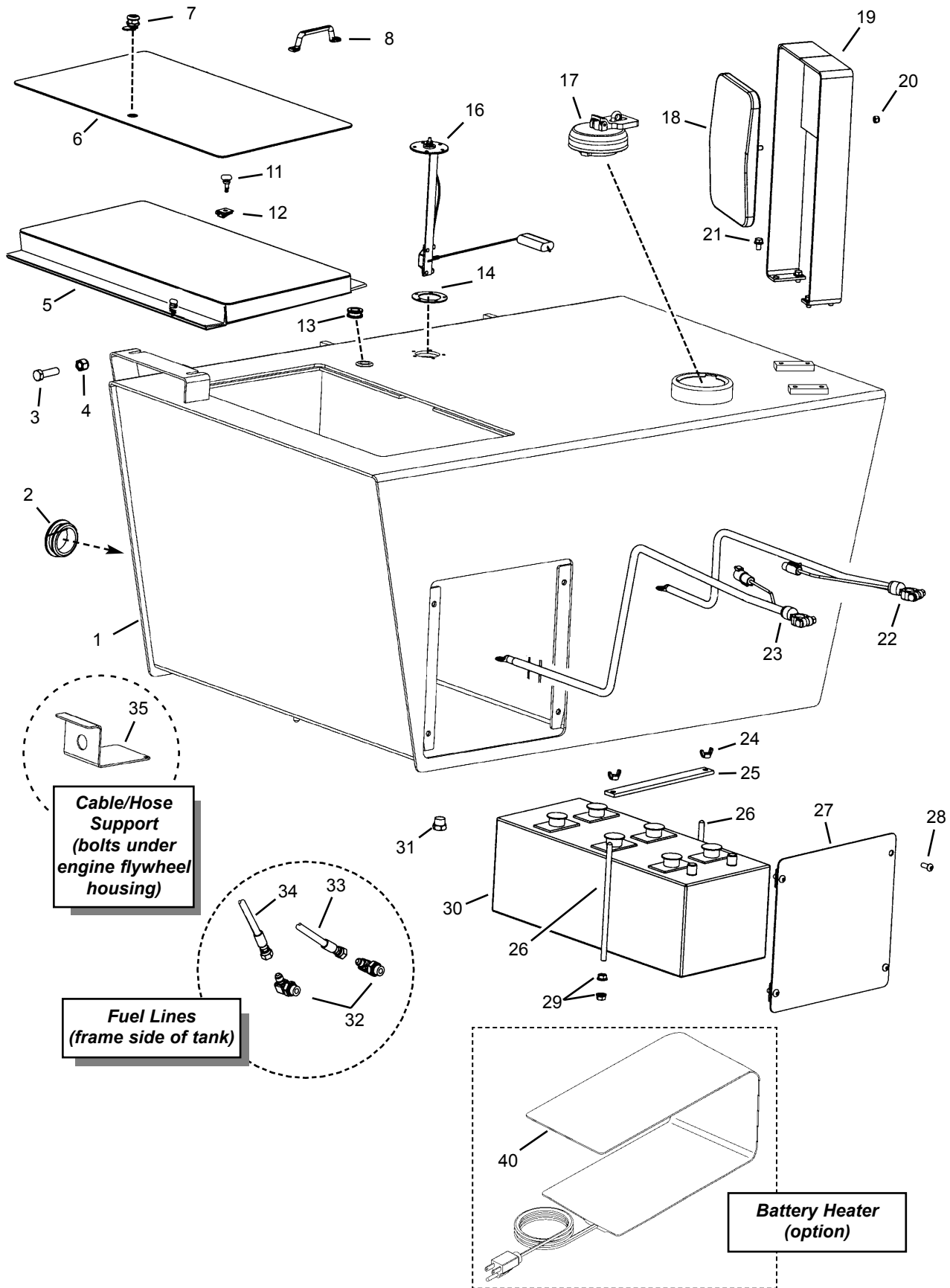




# Chassis

## Fuel Tank and Battery

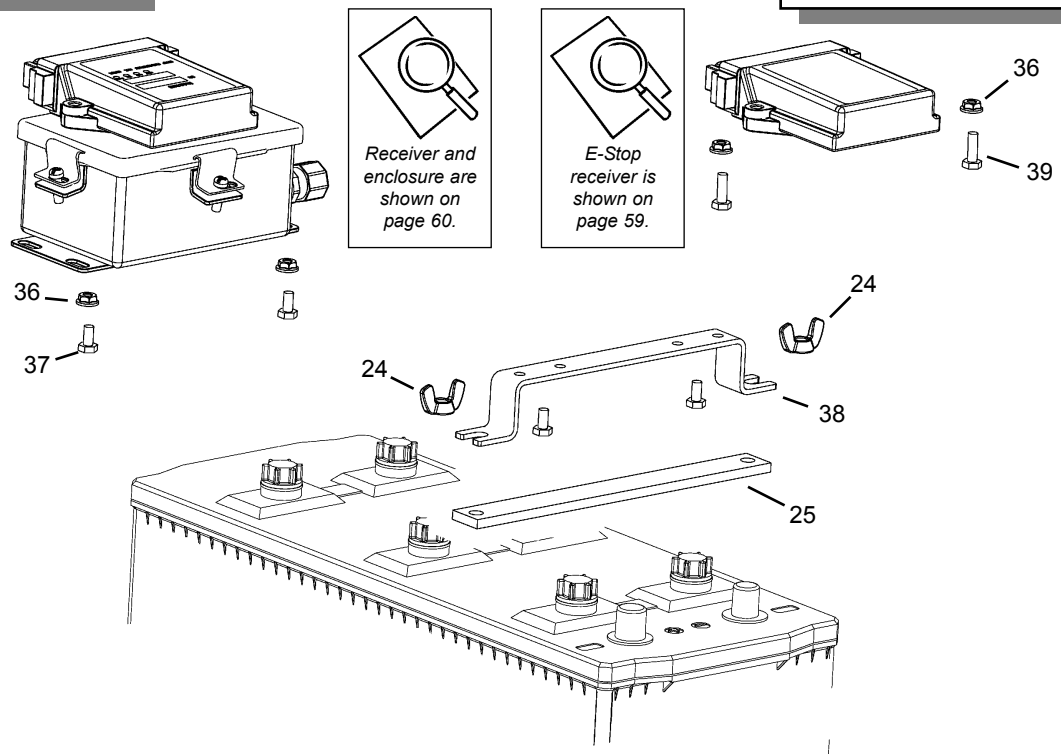
# RS Series



Ref. No.	Part No.	Description	Qty. Req.	Ref. No.	Part No.	Description	Qty. Req.
01	50380276	WELDMENT, FUEL TANK.....	1	23	210205	CABLE, POS. BATTERY.....	1
02	101567	GROMMET, FUEL TANK.....	1		101960	POWER PLUG, RECEPTACLE....	1
03	650569	CS 1/2"-13x1-3/4" C5ZY.....	6		101963	#8 DEUTSCH PIN.....	1
04	L520019	1/2"-13 NYLON INSERT NUT.....	6	24	653098	3/8"-16 WING NUT.....	2
05	103892	PLATE, TOOLBOX BOTTOM.....	1	25	L61117	BATTERY HOLDDOWN BAR.....	1
06	210782	TOOLBOX COVER, WELDMENT..	1	26	L70146	ROD, BATTERY HOLDDOWN.....	2
07	L70225	CAMLOCK.....	1	27	101463	PLATE, BATTERY ACCESS.....	1
	L99157	KEY ONLY ( <i>stamped CH751</i> )....	1	28	L52025	5/16"-18x3/4" BHSCS.....	4
08	L64673	HANDLE, HOOD.....	1	29	090666	3/8"-16 FLANGE NUT.....	4
	650387	#10-32x1/2" RND HD SCREW....	2	30	NSS	12VDC BC1 4DLT BATTERY.....	1
	L50050	#10-32 NUT.....	2	31	131529	ADAP., PLUG -8 O-RING SAE....	1
11	L68133	SCREW, CAPTIVE.....	2	32	110227	ADAP., -8ORM -6JICM 90°.....	2
	L68134	SCREW, RETAINER.....	2	33	50380316	HOSE, -6 K6/K6 82" ( <i>supply</i> )....	1
12	L68135	SCREW, RECEPTACLE.....	2	34	104114	HOSE, -4 A6/NONE 100" ( <i>return</i> )..	1
13	L63546	GROMMET.....	1	35	210200	BRACKET, CABLE/HOSE.....	1
14	L41854	GASKET, SENDER.....	1			( <i>supports fuel lines and cables</i> )	
16	L61867	SENDER/FUEL LEVEL.....	1	36	L50051	HN FLOC 1/4".....	2
		( <i>includes #14 Gasket</i> )		37	650481	CS 1/4" x 1/2" C5.....	2
17	210722	CAP/FUEL ASSEMBLY ( <i>vented</i> )....	1	38	103627	MOUNT, RECEIVER.....	1
18	L63756	MIRROR, 6.5X10 CONVEX.....	1	39	650642	CS 1/4" x 1" C5.....	2
19	103991	MIRROR BRACKET.....	1	40	50381167	WRAP, BATTERY ( <i>option</i> ).....	1
20	L520003	1/4" NYLON INSERT NUT.....	1			<b>-- ITEMS NOT SHOWN --</b>	
21	081379	5/16"x1/2 FLAT LOCK BOLT.....	4	--	L630003	RUBBER BOOT, BAT. CABLE.....	1
22	101954	CABLE, NEG. BATTERY.....	1			( <i>used on positive battery cable</i> )	
	101961	POWER PLUG, PLUG.....	1				
	101962	#8 DEUTSCH SOCKET.....	1				

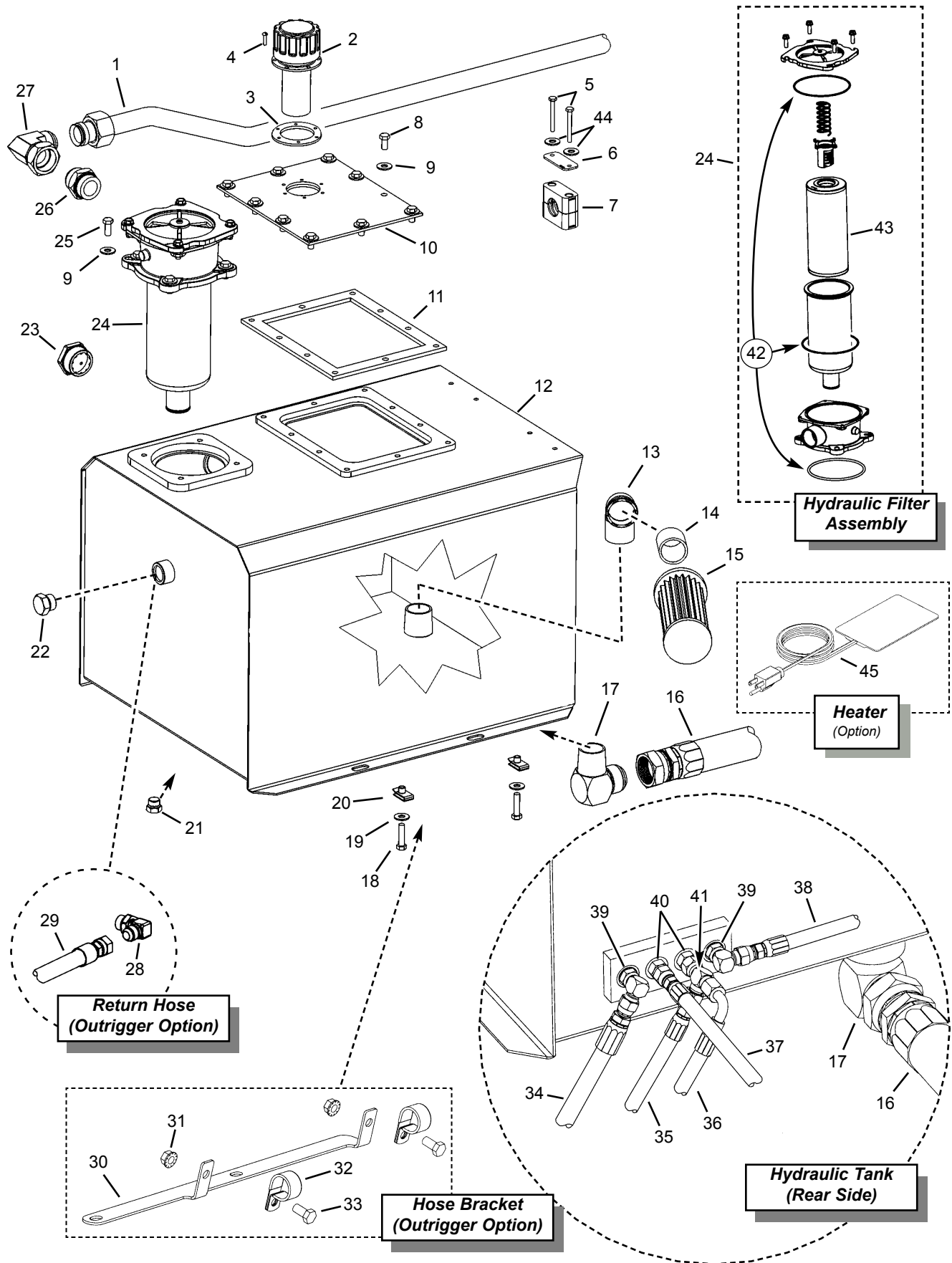
**Radio Remote - (Option)**  
Early-Style Shown

**E-Stop - (Option)**  
or Late-Style Radio  
Remote Receiver



# Chassis Hydraulic Tank

# RS Series



# Telescopic Handler

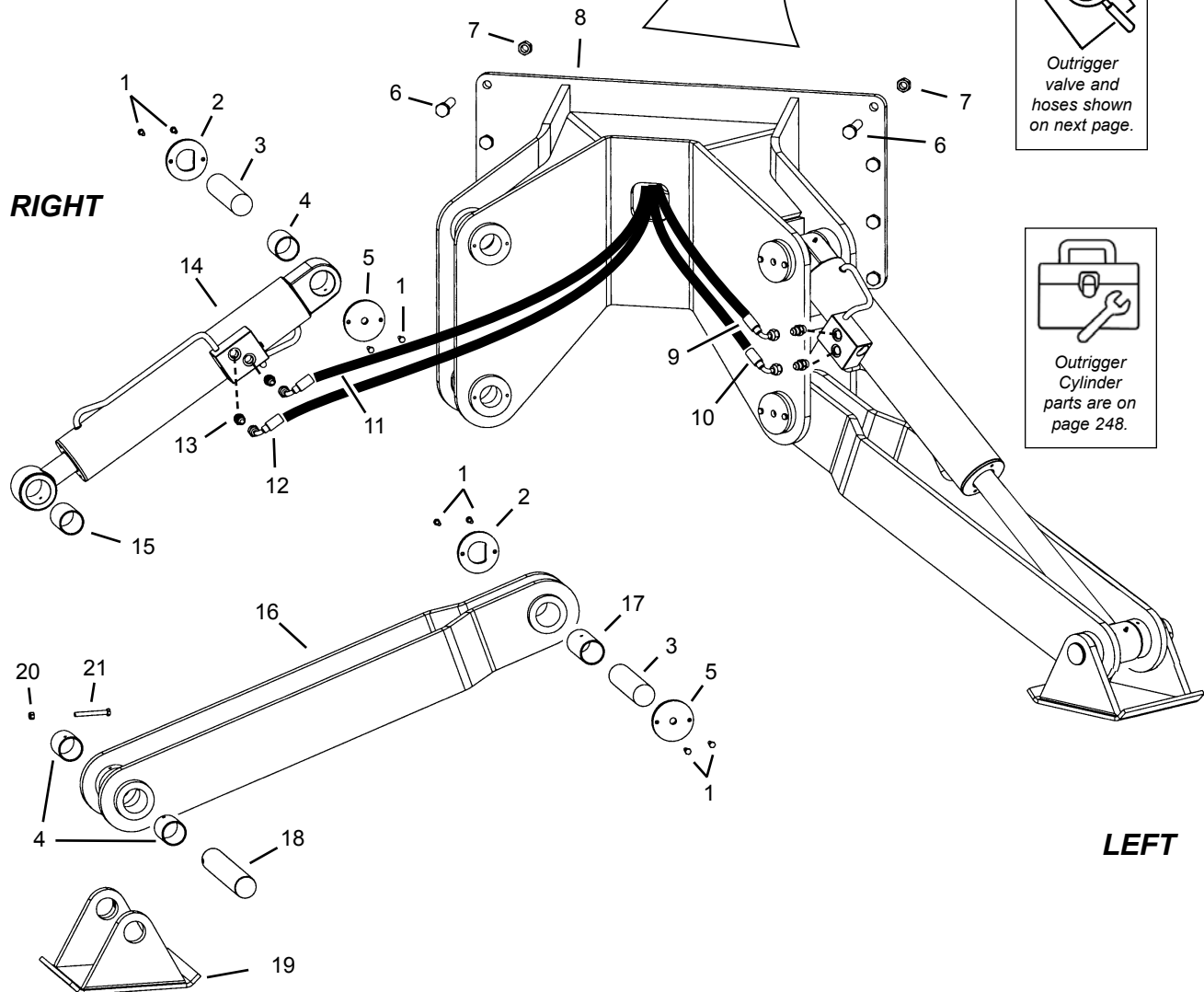
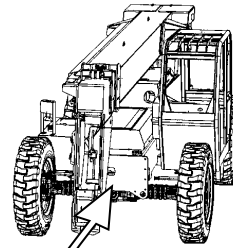
# Chassis Hydraulic Tank


Ref. No.	Part No.	Description	Qty. Req.	Ref. No.	Part No.	Description	Qty. Req.
01	50380024	HYDRAULIC OIL TUBE ASY. ....	1	30 <sup>bd</sup>	210960	HOSE SUPPORT BRACKET ....	1
02	P470472	HYDRAULIC FILL CAP ASY.....	1	31 <sup>b</sup>	090666	LN FL SERR 3/8" CZY .....	2
		<i>(includes cap, gaskets, and tube)</i>		32 <sup>b</sup>	L45666	CLAMP, HOSE 1.00 x 0.41 .....	2
03	L99163	GASKET, FILLER NECK.....	2	33 <sup>b</sup>	650488	CS 3/8" x 3/4" C5ZY .....	2
		<i>(included with item #2)</i>		34	L63383	HOSE, -6 A6/DS8 52" .....	1
04	651201	RHMS SLT #10-32 x 3/4" FZY....	6	35	L69920	HOSE, -4 A6/A6 40" .....	1
05	650449	CS 1/4"-20 x 2-1/2" .....	2	36	102843	HOSE, -4 A6/D6 35" .....	1
06	50380146	PLATE, TOP CUSHION.....	1	37	L69904	HOSE, 4 A6/DS6 20" .....	1
07	50380145	CLAMP, CUSHION TUBE .....	1	38	102946	HOSE, -6 A6/DS6 18" .....	1
08	650488	CS 3/8" x 3/4" C5ZY .....	10	39	068938	ADAP., -6ORM -6JICM 90° .....	2
09	654006	FW 3/8" AWZY .....	AR	40	054994	ADAP., -6ORM -6JICM STR.....	2
10	L65142	ACCESS COVER .....	1	41	072806	ADAP., -6 SWIVEL TEE .....	1
11	L65144	GASKET .....	1	42	50380450	SEAL KIT <i>(includes six o-rings)</i> ....	1
12 <sup>c</sup>	50380089	HYDRAULIC TANK.....	1			<i>(Earlier units used different o-rings; this kit covers current and early units, discard the o-rings that are not needed.)</i>	
13	L72419	ADAP., 1-1/2" NPT 90° ELBOW ...	1	43	L97489	HYDRAULIC FILTER ELEMENT... 1	
14	L61620	ADAP., 1-1/2" PIPE NIPPLE .....	1	44	650863	FW 1/4" ANZY .....	2
15	L49327	STRAINER, HYD. OIL .....	1	45	50381156	HEATER/500W <i>(option)</i> .....	1
16	L63309	HOSE, -24 A24/A24 35" .....	1			<i>(attaches to bottom of hydraulic tank)</i>	
17	L442023	ADAP., -24JICM 24NPTM 90° .....	1				
18	650533	CS 3/8"-16 x 1-1/2" C5ZY .....	4				
19	654006	FW 3/8" .....	4				
20	L65211	3/8"-16 RETAINED NUT .....	4				
21	131529	PLUG, -8 O-RING SAE .....	1				
22 <sup>a</sup>	L446047	PLUG, -12 O-RING SAE .....	1				
23	134756	SIGHT GLASS.....	1				
24 <sup>e</sup>	101879	FILTER, IN-TANK RETURN UHI... 1					
25	650489	CS 3/8" x 7/8" C5Z .....	4	a		<i>Units not equipped with outriggers.</i>	
26	079038	ST MJ20-MORB20 .....	1	b		<i>Units equipped with outriggers.</i>	
27	L60123	90 MJ20-FJS20 .....	1	c		<i>Includes items 13, 14, and 15.</i>	
28 <sup>b</sup>	055005	ADAP., -12ORM -12JICM 90° .....	1	d		<i>Used to support the hose from the main control "IN" port.</i>	
29 <sup>b</sup>	104092	HOSE, -12 A12/DS12 23" .....	1	e		<i>Refer to "Hydraulic Filter Assembly" inset on facing page for a listing of components included.</i>	


**-- ITEMS NOT SHOWN --  
(Located Inside Hydraulic Tank)**

## HOSE LOCATOR

01	HYDRAULIC TUBE <i>(from hydraulic filter)</i>	HYD. COOLER "UPPER"
16	HYDRAULIC TANK <i>(bottom)</i>	HYDRAULIC PUMP "IN"
29	HYDRAULIC TANK RETURN <i>(front)</i>	OUTRIGGER VALVE "T"
34	HYDRAULIC TANK RETURN <i>(return manifold)</i>	STEER MOTOR "T"
35	HYDRAULIC TANK RETURN <i>(return manifold)</i>	BRAKE BOOSTER CYLINDER
36	HYDRAULIC TANK RETURN <i>(return manifold)</i>	JOYSTICK <i>(lift/extend controller)</i> "T"
37	HYDRAULIC TANK RETURN <i>(return manifold)</i>	PRIORITY VALVE "T"
38	HYDRAULIC TANK RETURN <i>(return manifold)</i>	FLOW DIVIDER "T"



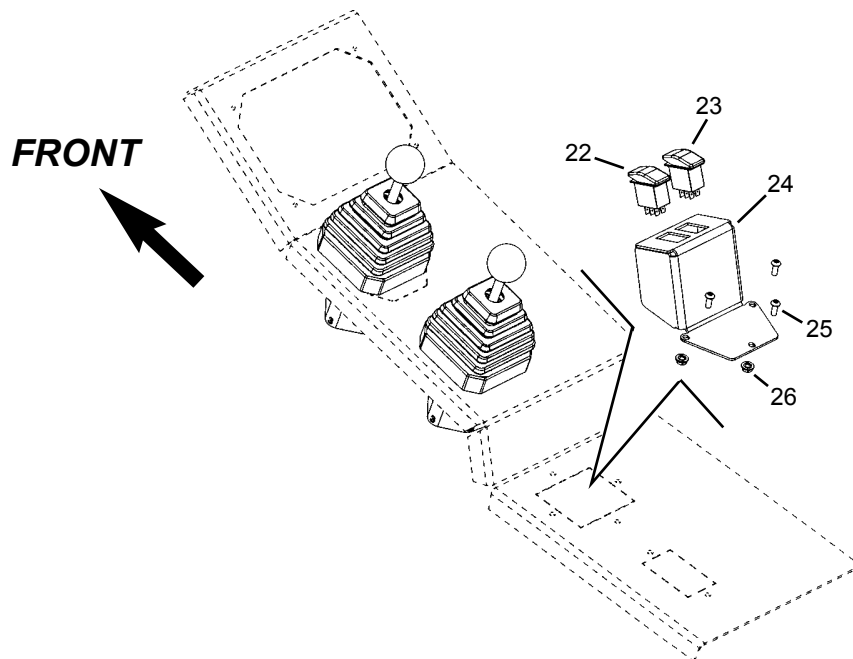
  
Outrigger  
valve and  
hoses shown  
on next page.

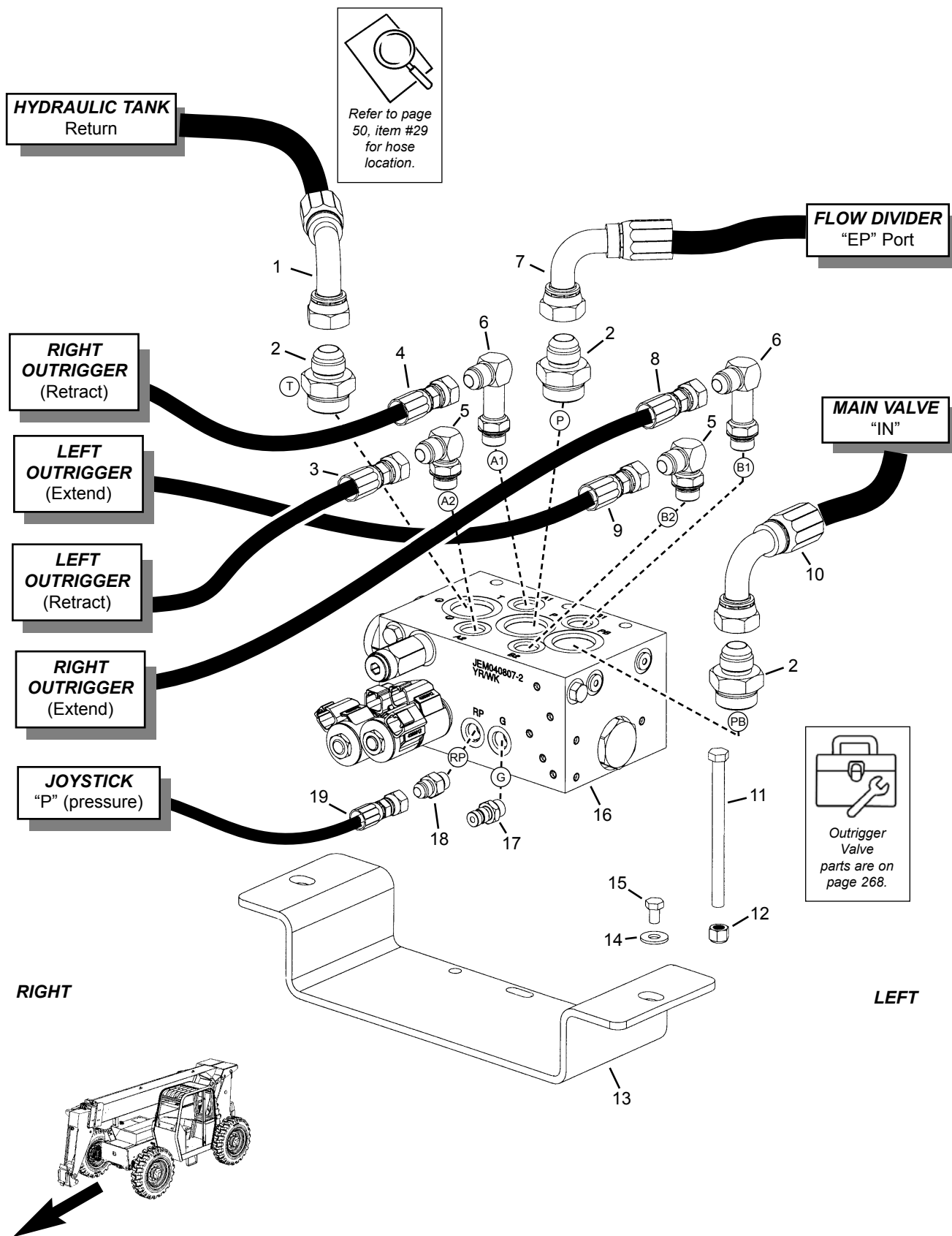
  
Outrigger  
Cylinder  
parts are on  
page 248.

# Telescopic Handler

# Chassis Outriggers - Option

Ref. No.	Part No.	Description	Qty. Req.	Ref. No.	Part No.	Description	Qty. Req.
01	650486	5/16"-18x3/4" BOLT . . . . .	16	17	L70614	BUSHING . . . . .	2
02	L69725	CAP, PIN LOCK . . . . .	4	18	L64963	PIN, PIVOT . . . . .	2
03	L70621	PIN, PIVOT . . . . .	4	19	L64914	WLDMNT, OUTRIGGER PAD . . . . .	2
04	L69138	BUSHING . . . . .	6	20	L520005	3/8"-16 CNTR LOCK NUT . . . . .	2
05	L69724	CAP, PIVOT PIN . . . . .	4	21	650818	3/8"-16X3" BOLT . . . . .	2
06	L50385	3/4"-10X3" BOLT GR8 . . . . .	8	22	L71072	SWITCH, LEFT OUTRIGGER . . . . .	1
07	L50084	3/4"-10 STOVER LOCK NUT "C" . . . . .	8	23	L71073	SWITCH, RIGHT OUTRIGGER . . . . .	1
08	102566	WLDMNT, OUTRIGGER MNT. . . . .	1	24	210761	MOUNT, OUTRIGGER SWITCH . . . . .	1
09	L68807	HOSE, -6 A8/DS8 54" (extend) . . . . .	1	25	L50202	1/4"X5/8" BUTTON HEAD BOLT . . . . .	3
10	L68807	HOSE, -6 A8/DS8 54" (retract) . . . . .	1	26	L50051	1/4" FLANGE LOCK NUT . . . . .	3
11	L68807	HOSE, -6 A8/DS8 54" (extend) . . . . .	1				
12	L68807	HOSE, -6 A8/DS8 54" (retract) . . . . .	1				
13	054626	ADAP., -8ORM -8JICM STR . . . . .	4	--	L10465	<b>-- ITEMS NOT SHOWN --</b> ZERK, GREASE 1/4"-28 STR . . . . .	AR
14	L70616	CYLINDER, OUTRIGGER . . . . .	2				
15	L70618	BUSHING . . . . .	2				
16	L70615	WLDMNT, OUTRIGGER LEG . . . . .	2	--	210723	<b>(Wire Harness)</b> WIRE HARNESS, OUTRIGGERS . . . . .	1



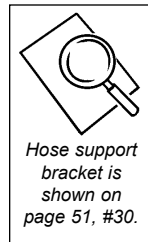


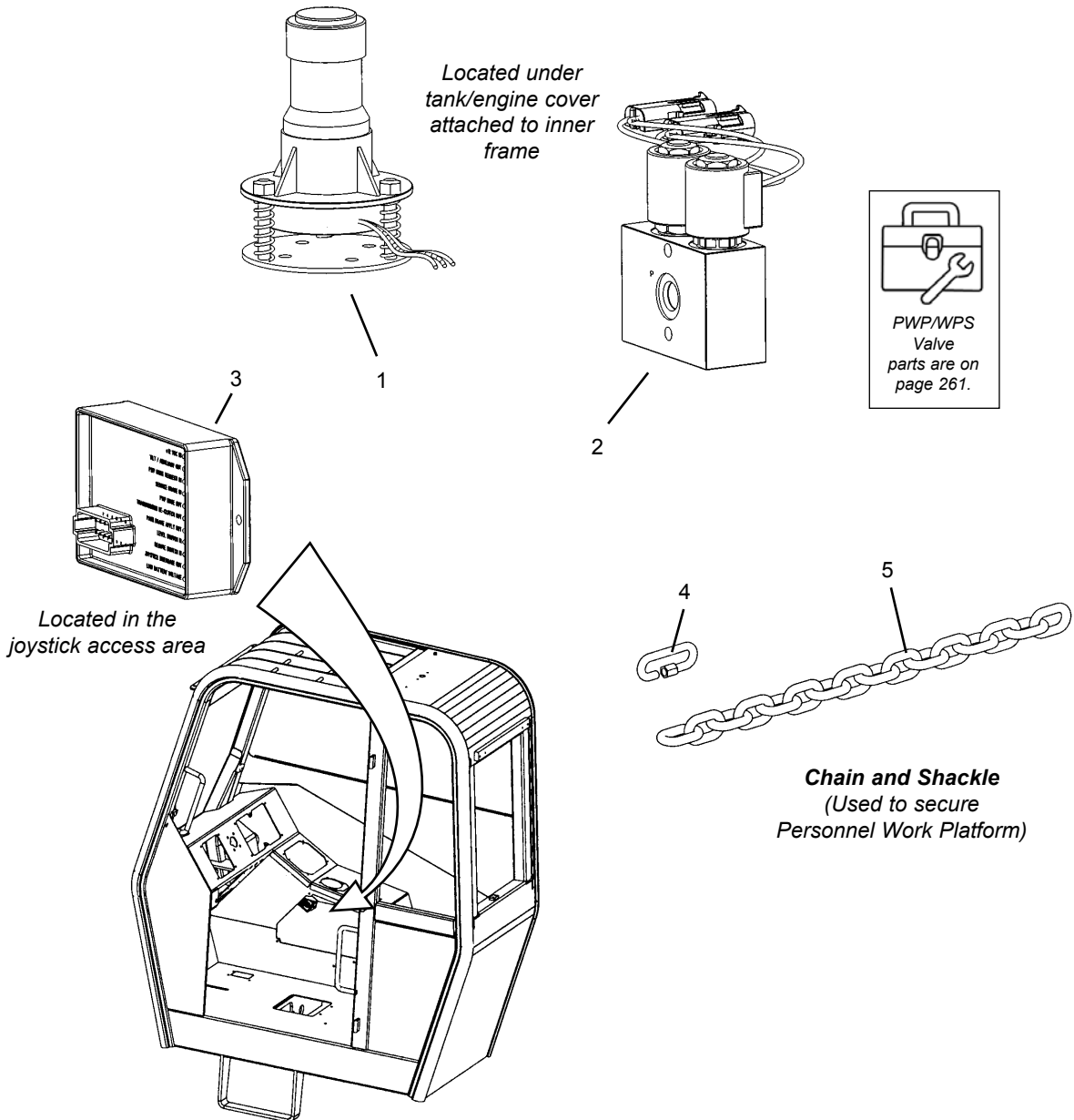


# Telescopic Handler

# Chassis Outrigger Valve - Option

Ref. No.	Part No.	Description	Qty. Req.	Ref. No.	Part No.	Description	Qty. Req.
01	104092	HOSE, -12 A12/DS12 23" . . . . .	1	13	210727	MOUNT, OUTRIGGER VALVE . . . . .	1
02	121774	ADAP., -16ORM -12JICM STR . . . . .	3	14	654004	5/16" FLAT WASHER . . . . .	2
03	L68807	HOSE, -6 A8/DS8 54" . . . . .	1	15	650484	5/16"-18X1/2" BOLT . . . . .	2
04	L68807	HOSE, -6 A8/DS8 54" . . . . .	1	16	210716	VALVE, OUTRIGGER . . . . .	1
05	054816	ADAP., -8ORM -8JICM 90° . . . . .	2	17	P471997	TEST PORT. . . . .	1
06	126862	ADAP., -8ORM -8JICM LONG 90° . . . . .	2	18	054994	ADAP., -6ORM -6JICM STR . . . . .	1
07	102814	HOSE, -12 A12/DS12 74" . . . . .	1	19	L68810	HOSE, -4 A6/A6 96" . . . . .	1
08	L68807	HOSE, -6 A8/DS8 54" . . . . .	1				
09	L68807	HOSE, -6 A8/DS8 54" . . . . .	1				
10 <sup>a</sup>	210799	HOSE, -12 H12/DS12 40" . . . . .	1				
11	650730	3/8"-16X5" BOLT . . . . .	3				
12	L520005	3/8"-16 LOCK NUT . . . . .	3				
						<b>-- (ITEMS NOT SHOWN) --</b>	
				25	210723	WIRE HARNESS, OUTRIGGERS. . . . .	1
				<i>a</i>		<i>Hose is supported near the hydraulic tank with bracket P/N 210960.</i>	





# Telescopic Handler

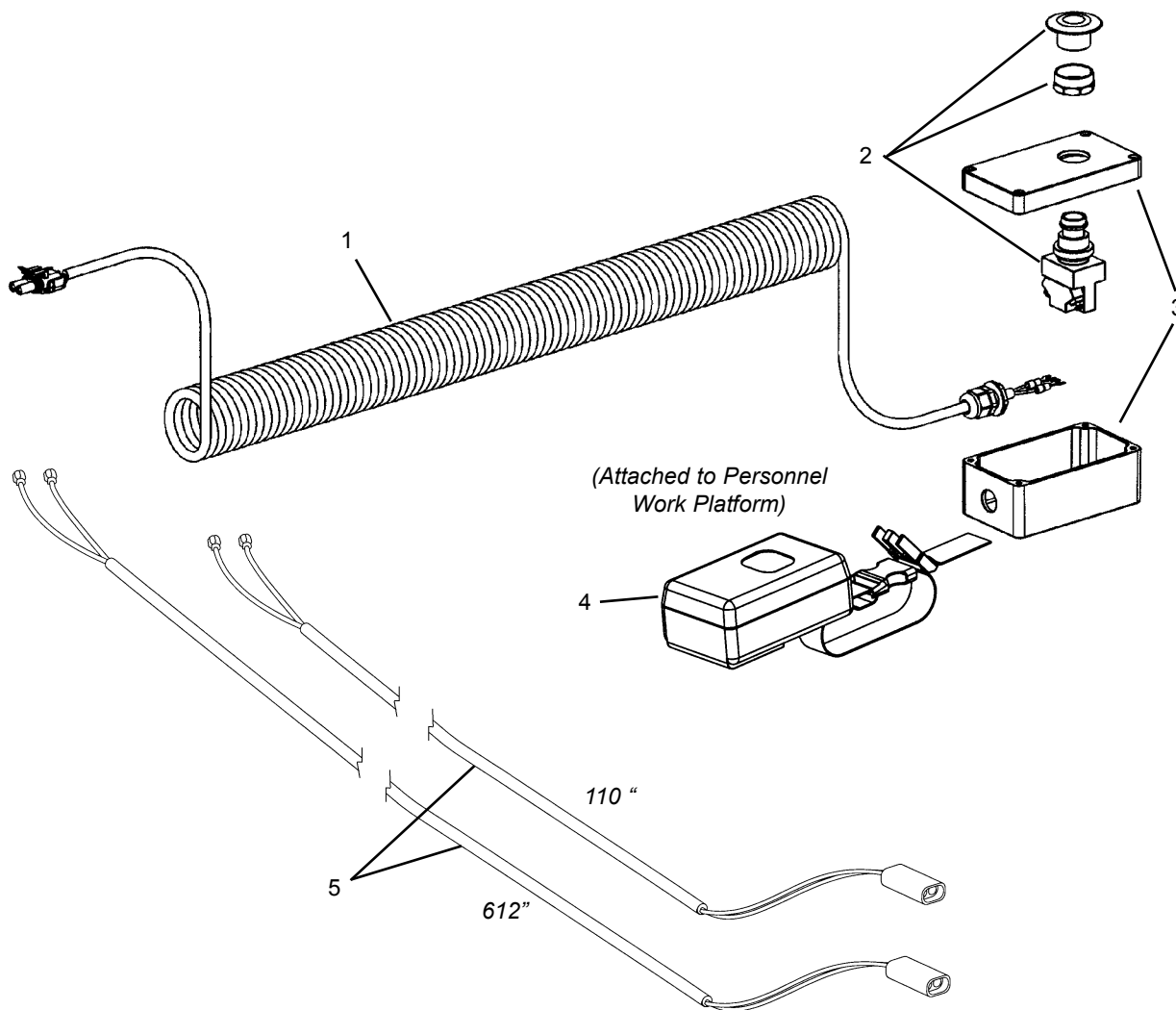
# PWP

## Chassis Components

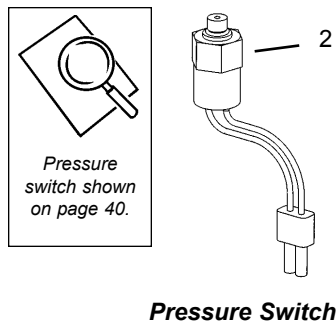
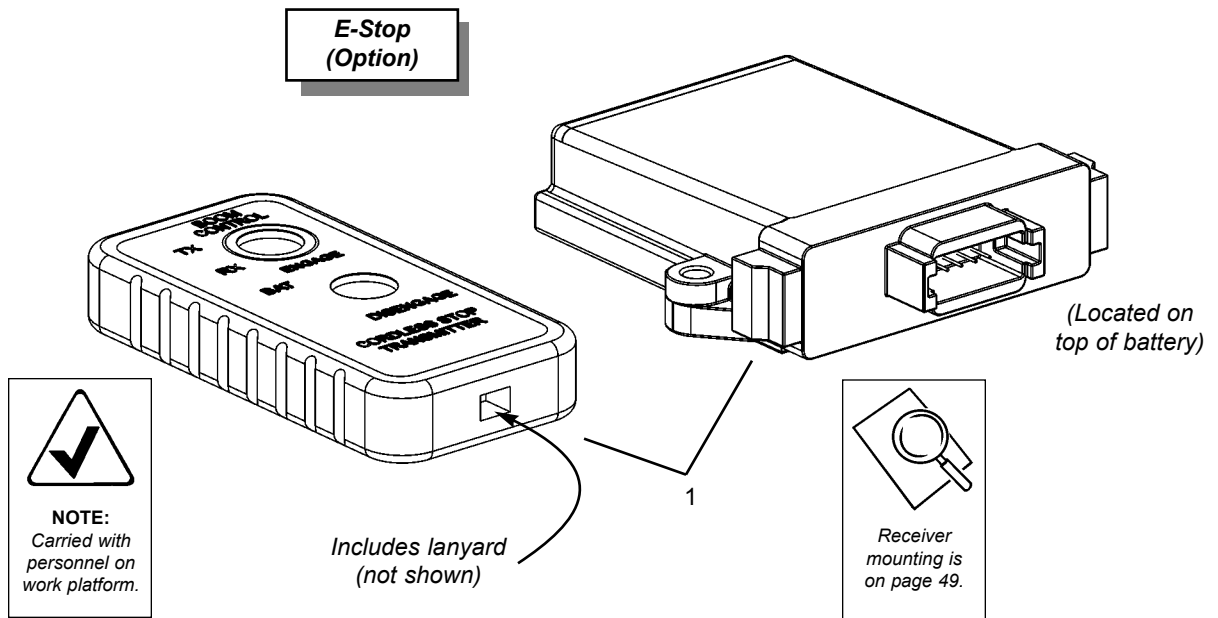
Ref. No.	Part No.	Description	Qty. Req.	Ref. No.	Part No.	Description	Qty. Req.
01	50381128	KIT, LEVEL SENSOR . . . . .	1			<b>-- ITEMS NOT SHOWN --</b>	
02	102321	PWP/WPS VALVE . . . . .	1	--	L71691	PWP/WPS SWITCH . . . . .	1
03	104078	PWP/WPS CONTROL MODULE . . .	1			<i>(located on dash)</i>	
04 <sup>a</sup>	L71752	5/16" CHAIN SHACKLE . . . . .	1	--	104064	PWP/WPS WIRE HARNESS . . . . .	1
05 <sup>a</sup>	L71751	5/16" CHAIN GR40 16 LINKS . . .	1			<i>(under dash and to level sensor)</i>	

*a Chain shackle and chain are used to secure the Personnel Work Platform.*

Components (Three-Section Boom)



Ref. No.	Part No.	Description	Qty. Req.	Ref. No.	Part No.	Description	Qty. Req.
--	L71729	REMOTE SWITCH W/CABLE . . . . .	1	03	L71725	REMOTE SWITCH ENCLOSURE . . .	1
		<i>(Includes item 1-3)</i>		04	L71750	REMOTE SWITCH POUCH . . . . .	1
01	102408	CABLE ASSEMBLY . . . . .	1	05	L71732	REMOTE SWITCH HARNESS . . . . .	1
02	L71726	REMOTE STOP SWITCH . . . . .	1			<i>(Consists of two cables)</i>	



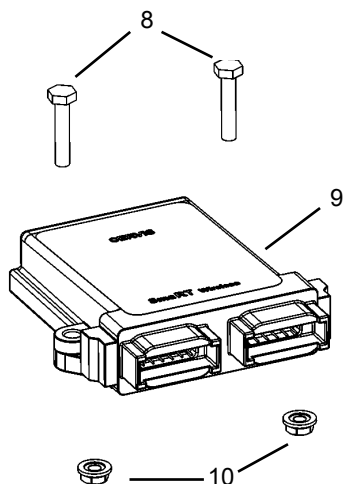
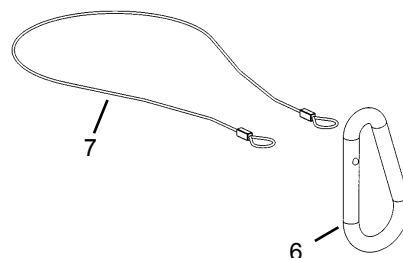
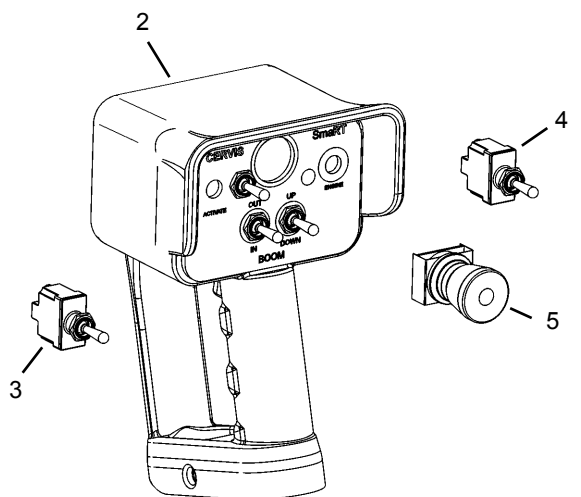
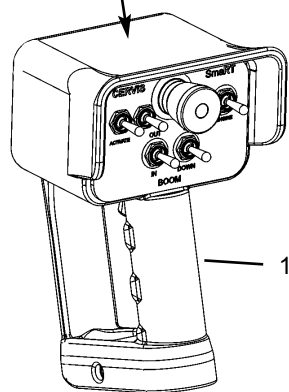
Ref. No.	Part No.	Description	Qty. Req.
01 <sup>a</sup>	50380625	SYSTEM/RADIO E-STOP . . . . . 1 (Transmitter and Receiver)	1
02	L70415	PRESSURE SWITCH . . . . . 1	1

- ITEMS NOT SHOWN --**
- 102655 RADIO REMOTE HARNESS . . . . . 1  
(E-Stop receiver)
  - a The transmitter and receiver are frequency-matched; therefore, it is required to purchase both as a set.
  - b Chain shackle and chain are used to secure the Personnel Work Platform to the carrier attachment.

# Personnel Work Platform

# RS Series

## Radio Remote (Option) - Transmitter and Receiver - (Late Style)



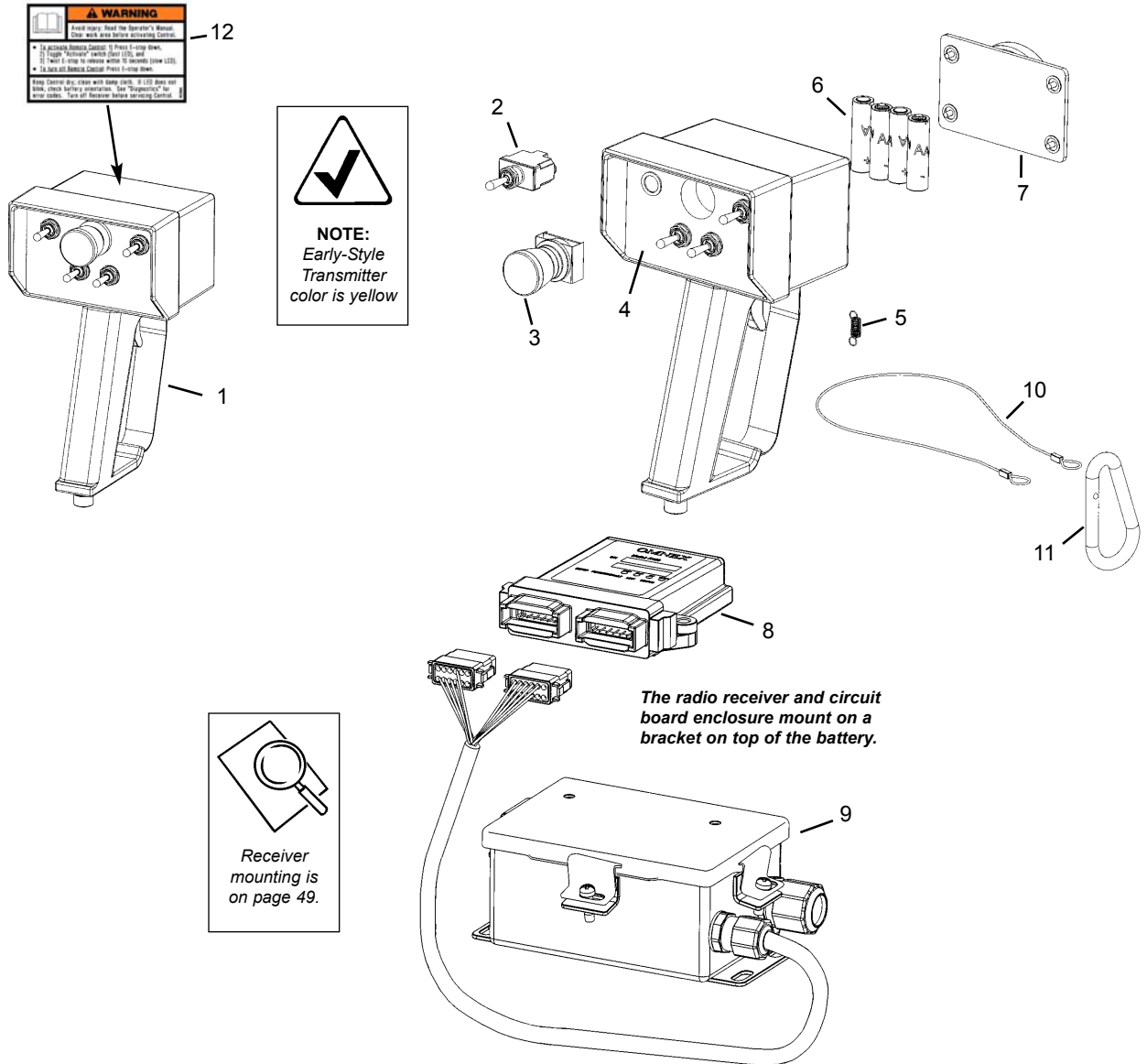
The radio receiver mounts on a bracket on top of the battery.

Item No.	Part No.	Description	Qty. Req.	Item No.	Part No.	Description	Qty. Req.
--	50380274	RADIO REMOTE, SYSTEM . . . . .	1	10	L50051	1/4" WHIZNUT . . . . .	2
		<i>(Includes all items shown)</i>		11	50380825	DECAL, REMOTE TRANSMITTER. 1	
01 <sup>a</sup>	50220629	REMOTE TRANSMITTER. . . . .	1			<i>(not included with item 1)</i>	
02	NSS	HOUSING . . . . .	1			<b>-- ITEMS NOT SHOWN --</b>	
03	50220628	SWITCH, TOGGLE 2-POS. . . . .	1	--	103099	FUSE, MINI 15 AMP . . . . .	1
04	50220627	SWITCH, TOGGLE 3-POS. . . . .	4	--	50380175	HARNESS, RADIO REMOTE . . . . .	1
05	50220626	BUTTON, RADIO E-STOP . . . . .	1	--	50380838	DECAL, REMOTE SYS. WARN. . . . .	1
06	103476	SNAP RING, LANYARD . . . . .	1				
07	103475	LANYARD (wire cable) . . . . .	1				
08	650426	1/4"X1-1/4" BOLT . . . . .	2	a		<i>Requires programming; refer to Radio Remote Operator's Manual and Parts Manual (50960060), included with the Radio Remote Control at the time of purchase, for more information.</i>	
09	50220630	RECEIVER, RADIO REMOTE . . . . .	1				

# Telescopic Handler

# Personnel Work Platform

## Radio Remote (Option) - Transmitter and Receiver - (Early Style)

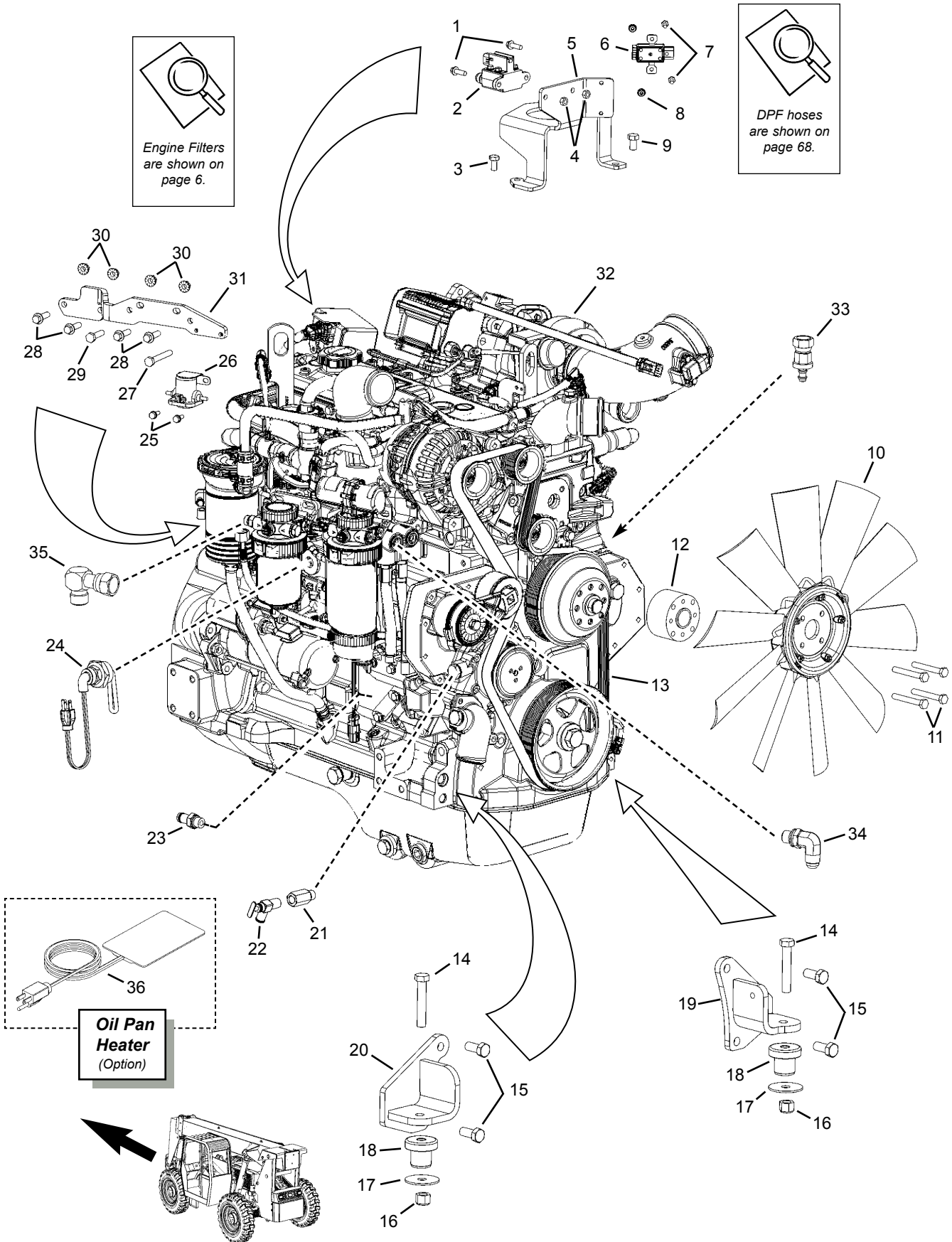


Item No.	Part No.	Description	Qty. Req.	Item No.	Part No.	Description	Qty. Req.
--	103744	RADIO REMOTE, COMPLETE . . . . .	1	12	102968	DECAL, REMOTE TRANSMITTER. 1 (not included with item 1)	
01 <sup>a</sup>	103479	REMOTE TRANSMITTER. . . . .	1	<b>-- ITEMS NOT SHOWN --</b>			
02	103482	SWITCH, TOGGLE 3 POS. MIL . . . . .	4	--	103099	FUSE, MINI 15 AMP . . . . .	1
03	210867	SWITCH, E-STOP (push-button) . . . . .	1	--	103424	HARNESS, RADIO REMOTE . . . . .	1
04	104675	LABEL (not shown-switch functions) . . . . .	1	(Connects to existing PWP wire harness.)			
05	106965	SPRING, TRIGGER. . . . .	1				
06	NSS	AA BATTERY. . . . .	4				
07	50220061	COVER w/MAGNET & SCREWS . . . . .	1				
08	103480	REMOTE RECEIVER . . . . .	1	a		Requires programming; refer to Radio Remote Operator's Manual and Parts Manual (913236), included with the Radio Remote Control at the time of purchase, for more information.	
09	210777	ENCLOSURE / CIRCUIT BOARD. . . . .	1				
		(includes wire harness)					
10	103475	LANYARD (wire cable) . . . . .	1				
11	103476	SNAP RING, LANYARD. . . . .	1				

# Engine

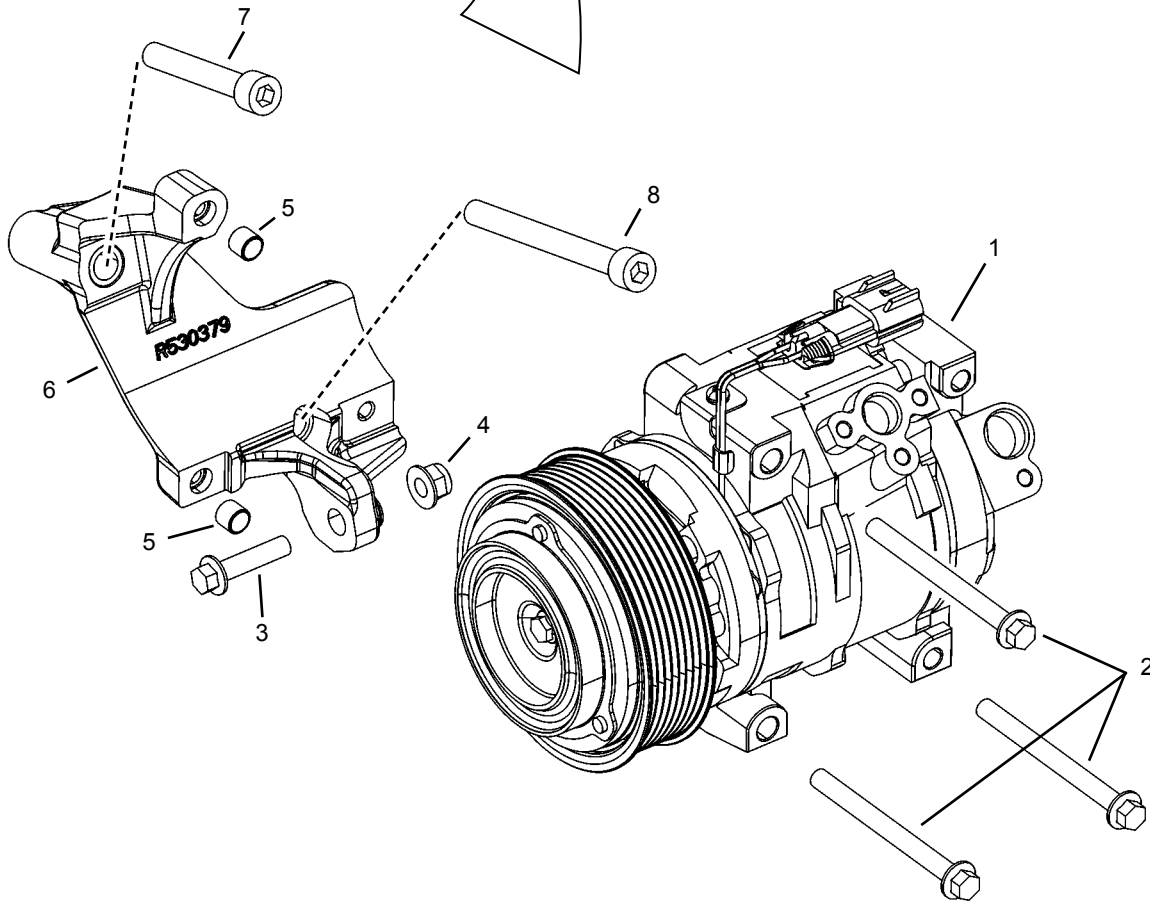
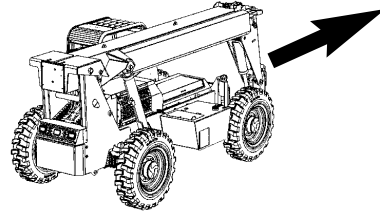
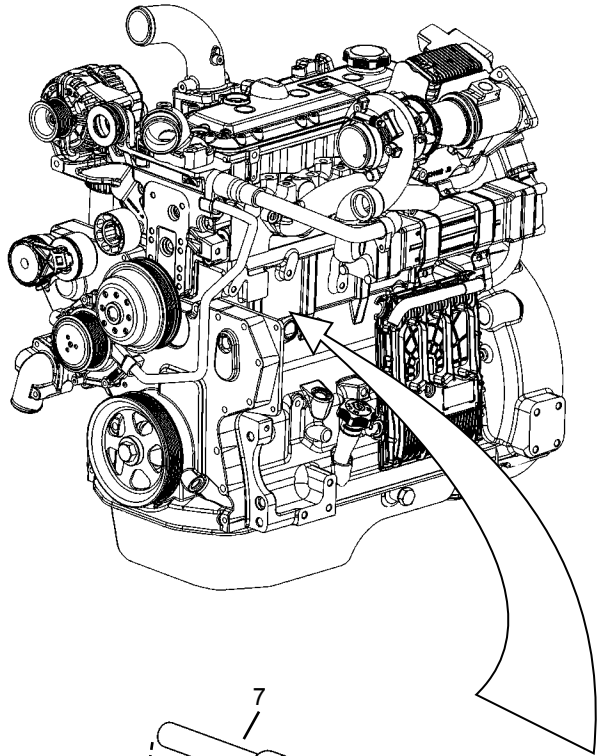
## External Components

# RS Series





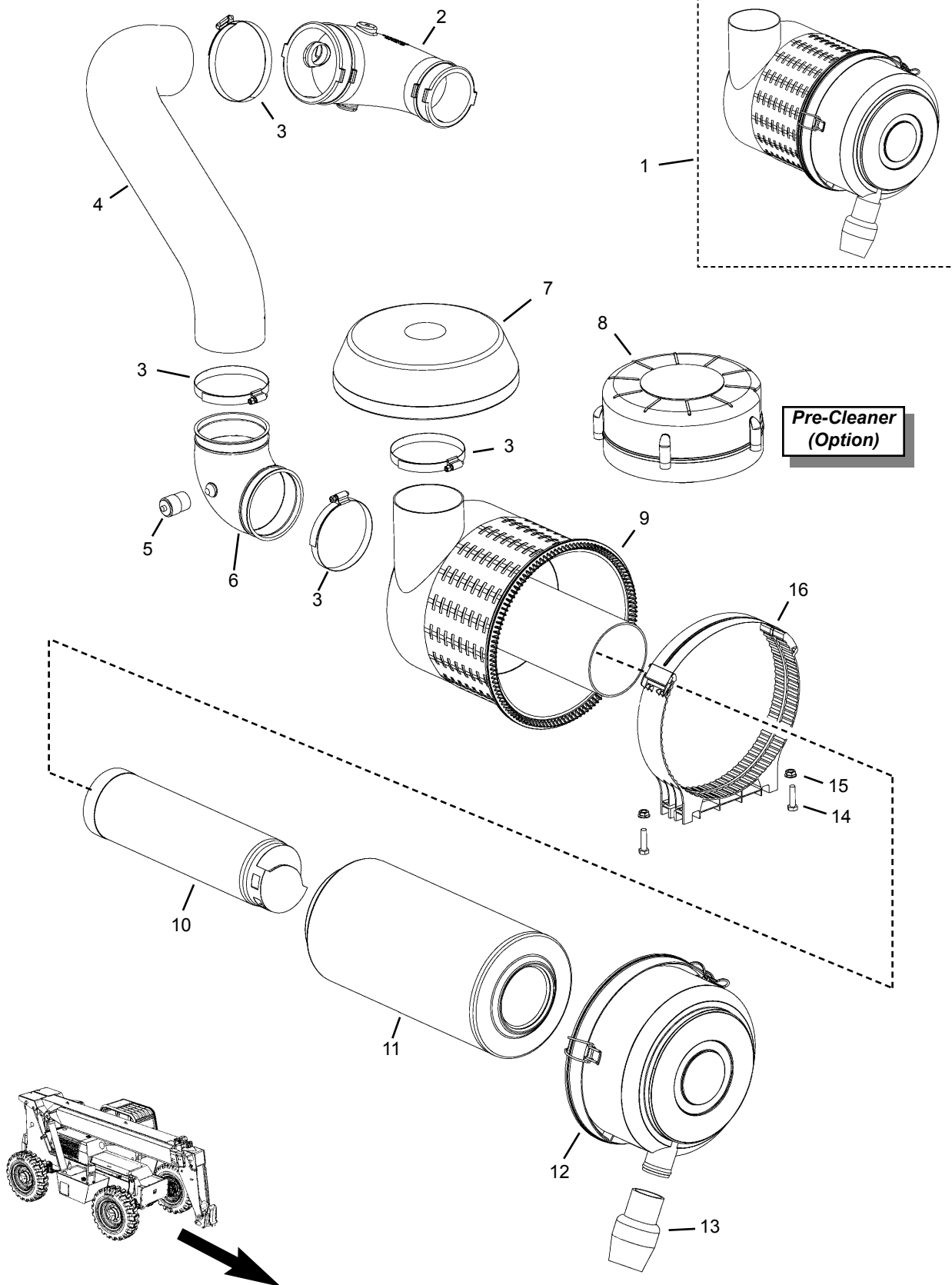




# Telescopic Handler

# Engine *A/C Compressor - (Option)*

Ref. No.	Part No.	Description	Qty. Req.	Ref. No.	Part No.	Description	Qty. Req.
01	50380423	A/C COMPRESSOR . . . . .	1	07	651789	SHCS M10-1.5x5 C12.9 OCG. . . . .	1
02	651697	CS FL M8-1.25x90 C8.8 ZY . . . . .	3	08	656150	SHCS M10-1.5x100 C12.9 OCG . . . . .	1
03	651720	CS FL M8-1.25x35 C8.8 ZY . . . . .	1				
04	651706	LN INST FL M8-1.25 C8 ZY . . . . .	1				
05	210213	BUSHING, COMPRESSOR PILOT . 2					
06	50380424	A/C COMPRESSOR MOUNT . . . . .	1				
						<b>-- ITEMS NOT SHOWN --</b>	
				00	50220188	FAN BELT (A/C equipped). . . . .	1

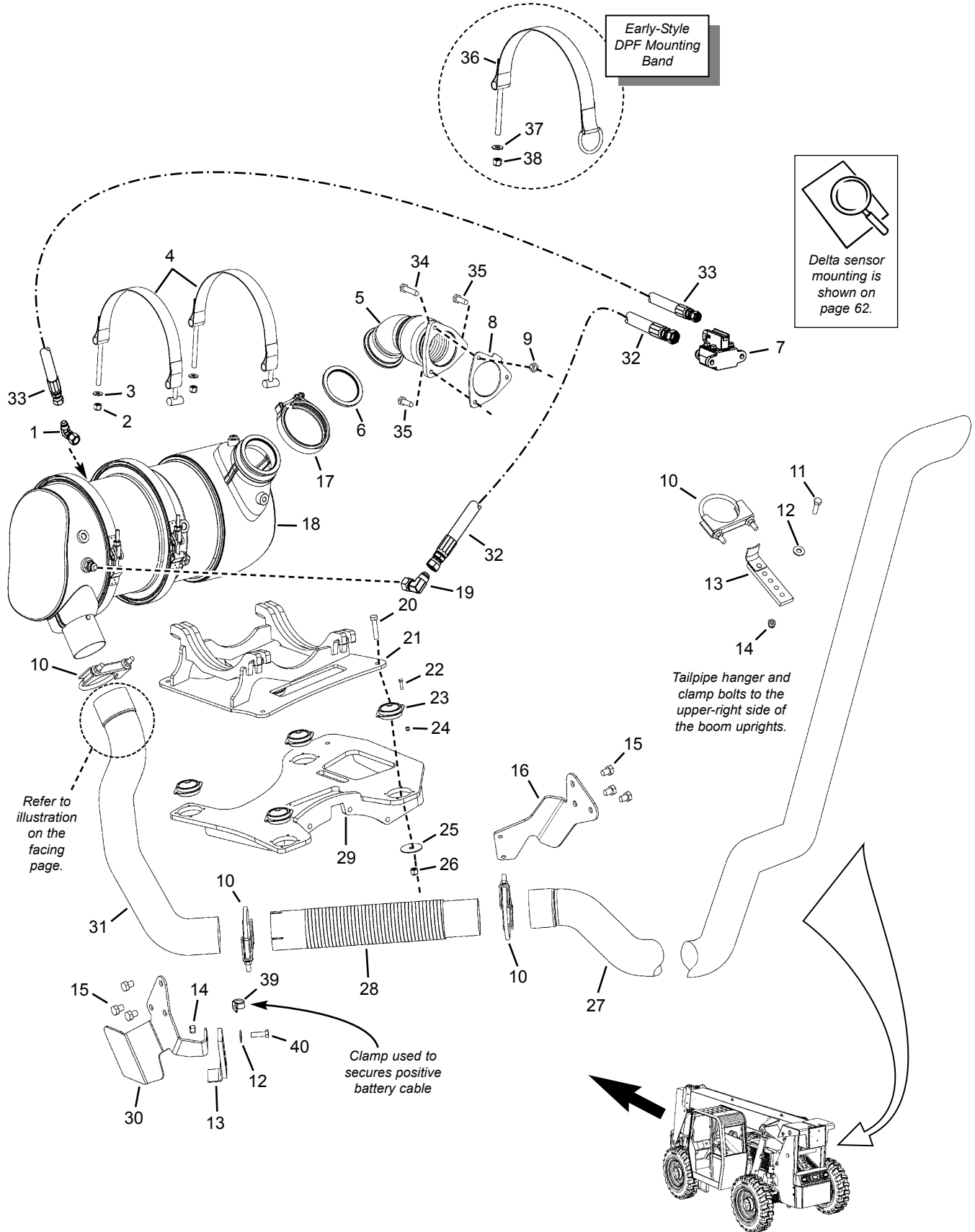


# Telescopic Handler

# Engine Air Intake

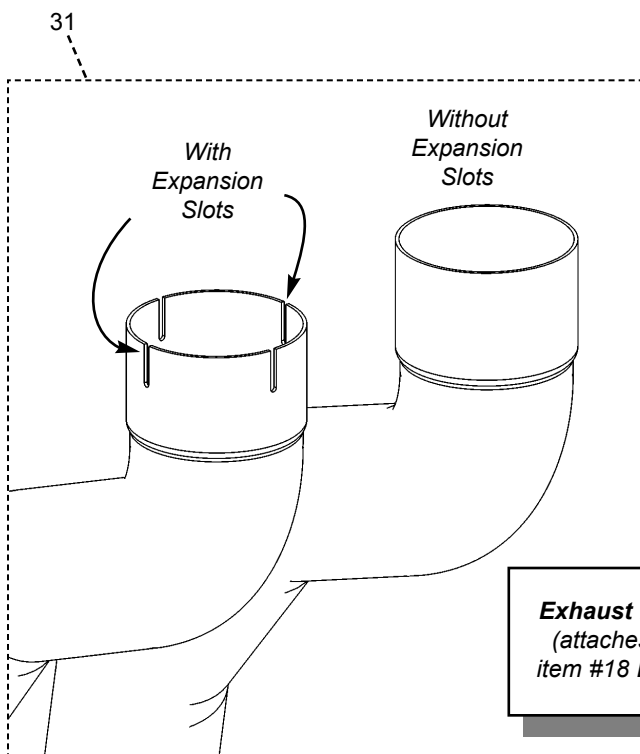
Ref. No.	Part No.	Description	Qty. Req.	Ref. No.	Part No.	Description	Qty. Req.
01	105073	AIR CLEANER ASSEMBLY. ....1 <i>(includes 9-13)</i>		10	105071	ELEMENT, SECONDARY .....1	
02 <sup>a</sup>	NSS	ELBOW, AIR INTAKE .....1		11	105070	ELEMENT, PRIMARY .....1	
03	079769	ADJUST. CLAMP, #72 .....AR		12	NSS	END CAP .....1	
04	50380001	AIR INTAKE TUBE .....1		13	137659	EJECTOR/DUST .....1	
05	183629	INDICATOR, RESTRICTION 30 in. .1		14	650545	5/6"X1-1/4" BOLT .....2	
06	105065	90° RUBBER ELBOW, 4" DIA. ....1		15	L50056	5/16" NUT .....2	
07	105075	INLET HOOD/CAP <i>(standard)</i> .....1		16	105059	CLAMP, AIR CLEANER MOUNT ..1	
08	192587	PRE-CLEANER <i>(option)</i> .....1					
09	NSS	HOUSING, AIR CLEANER .....1					

a Contact John Deere parts department to order a replacement part.



Ref. No.	Part No.	Description	Qty. Req.	Ref. No.	Part No.	Description	Qty. Req.
01	50300238	90 MJ06-FJS06 SS	1	29		BRACKET, DPF	1
02 <sup>e</sup>	656049	HN M10-1.5 C8 ZY DIN934	2		50380303	Note x	
03	656133	FW M10 ZY DIN125	2		50380302	Note y	
04	50380007	BAND, DPF MOUNTING	2	30	50380059	BRACKET, EXHAUST PIPE	1
05	211257	COUPLER, FLEX EXHAUST	1	31		EXHAUST PIPE	1
06	50220190	SEALING RING	1		50380064	Note x (without expansion slots)	
07 <sup>a</sup>	NSS	SENSOR, DELTA PRESSURE	1		50380502	Note x (with expansion slots)	
08	50220191	EXHAUST GASKET	1		50380077	Note y (without expansion slots)	
09	656049	HN M10-1.5 C8 ZY DIN934	1		50380494	Note y (with expansion slots)	
10	131951	CLAMP, MUFFLER 3"	4	32	50380300	HOSE, 0.50" A8/A8 15"	1
11	650491	CS 3/8x1-1/4" C5ZY	1	33	50380301	HOSE, 0.375" A6/A6 28"	1
12	654006	FW 3/8 AWZY	2	34	656010	CS M10-1.5x40 C8.8 ZY	1
13	L64764	HANGER, TAILPIPE	2	35	656008	CS M10-1.5x30 C8.8 ZY	2
14	L520005	CS INST 3/8"	2	36 <sup>d</sup>	NSS	BAND, DPF MOUNTING (early)	0
15	651668	CS M12-1.75x16 C8.8 ZY	6	37	654049	FW 3/8 ANZY	2
16	50380063	BRACKET, EXHAUST PIPE	1	38 <sup>f</sup>	L520005	HN INST 3/8"	2
17	50220192	CLAMP, EXHAUST	1	39	L41859	CLAMP, HOSE 0.56 x 0.41	1
18 <sup>a</sup>	NSS	DPF	1	40	650533	CS 3/8x1-1/2" C5ZY	1
19	50300240	90 MJ08-FJS08 SS	1				
20	650579	CS 3/8x1-3/4 C5ZY	4				
21		BRACKET, DPF MOUNTING	1				
	50380500	Note b					
	50380166	Note c					
22	651202	HHM USL #10-24x3/4 C2ZY	8				
23	211241	ISOLATION MOUNT	4				
24	084175	HLN INST #10-24 CZY	8				
25	50380017	FW 3/8" SNUBBING	4				
26	L520005	CS INST 3/8"	4				
27	211178	TAILPIPE	1				
28	105211	EXHAUST, FLEX PIPE	1				

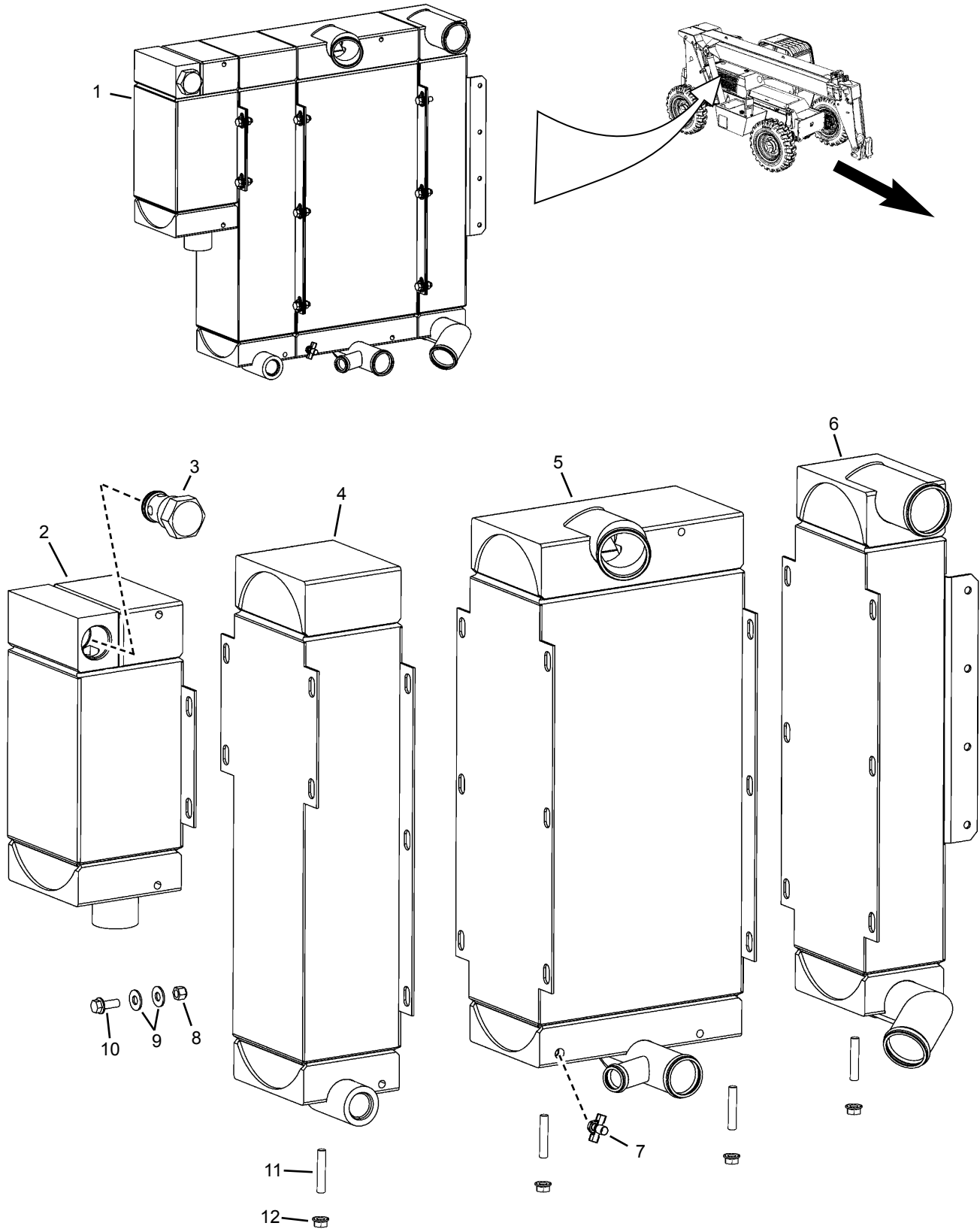
- a Contact John Deere parts department to order this component part.
- b Used with #2 size DPF; order this item if item #31 exhaust pipe has expansion slots (shown below).
- c Used with #3 size DPF; order this item if item #31 exhaust pipe does not have expansion slots (refer to illustration below).
- d Early-style mounting band is no longer available; order item #4, which is a direct replacement. Item #4 also includes a metric nut item #2.
- e Included with item #4; be aware this is a metric nut.
- f This is an SAE nut, do not use this with item #4.
- x Only RS6-42 and RS8-42/44
- y Only RS10-44/55 and RS12-42



**NOTE:** Early machines were equipped with a size #3 DPF; later machines are equipped with a size #2 DPF. Inspect the exhaust pipe where it attaches to the DPF. If the exhaust pipe has expansion slots similar to those shown in the illustration to the left, then the machine is equipped with a size #2 DPF—otherwise, the machine is equipped with a size #3 DPF.

# Engine Radiator, Coolers, and Surge Tank

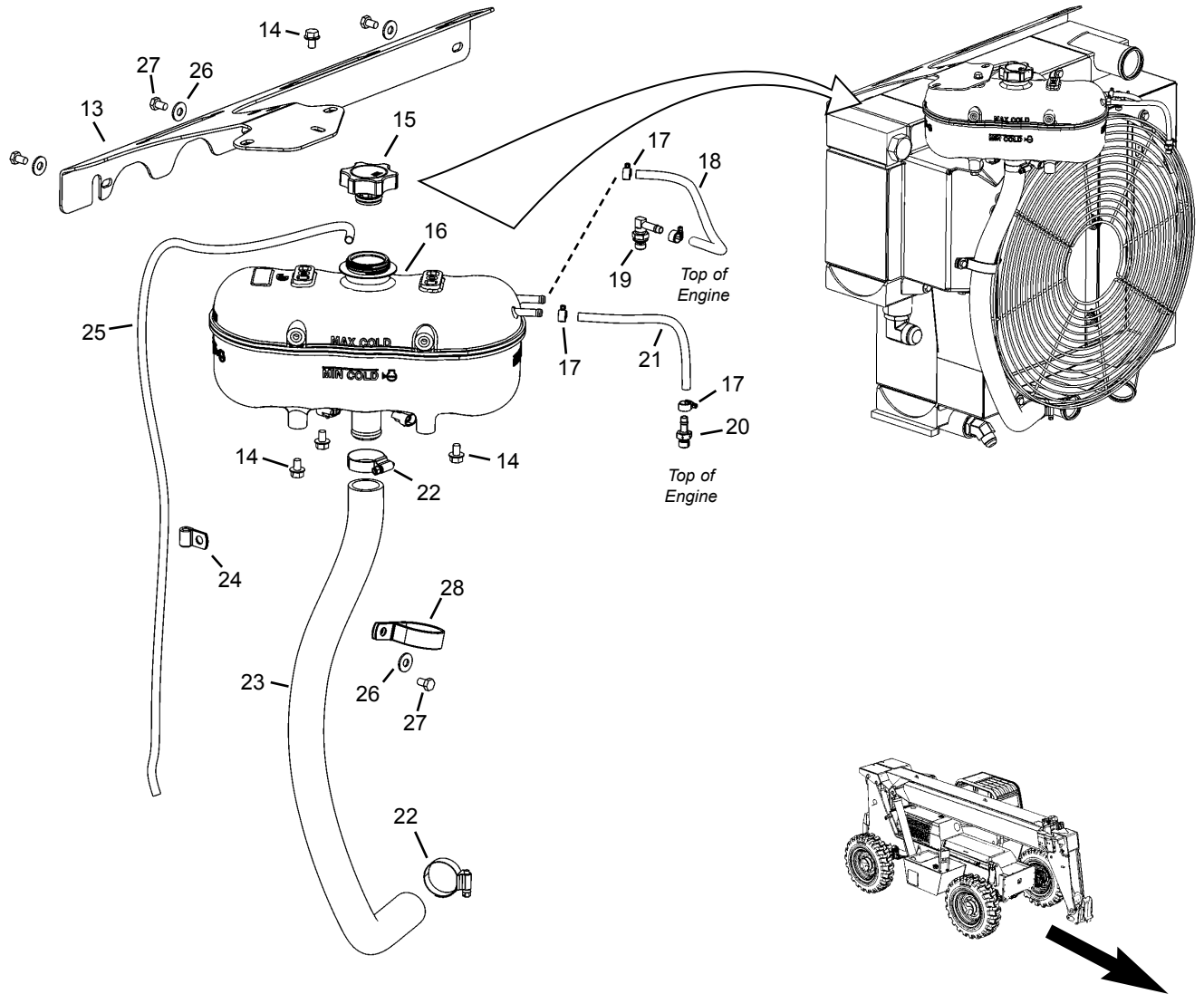
# RS Series





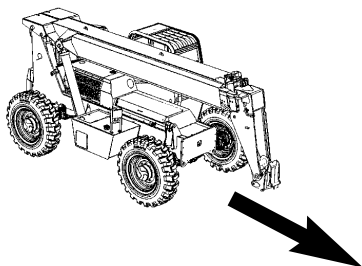
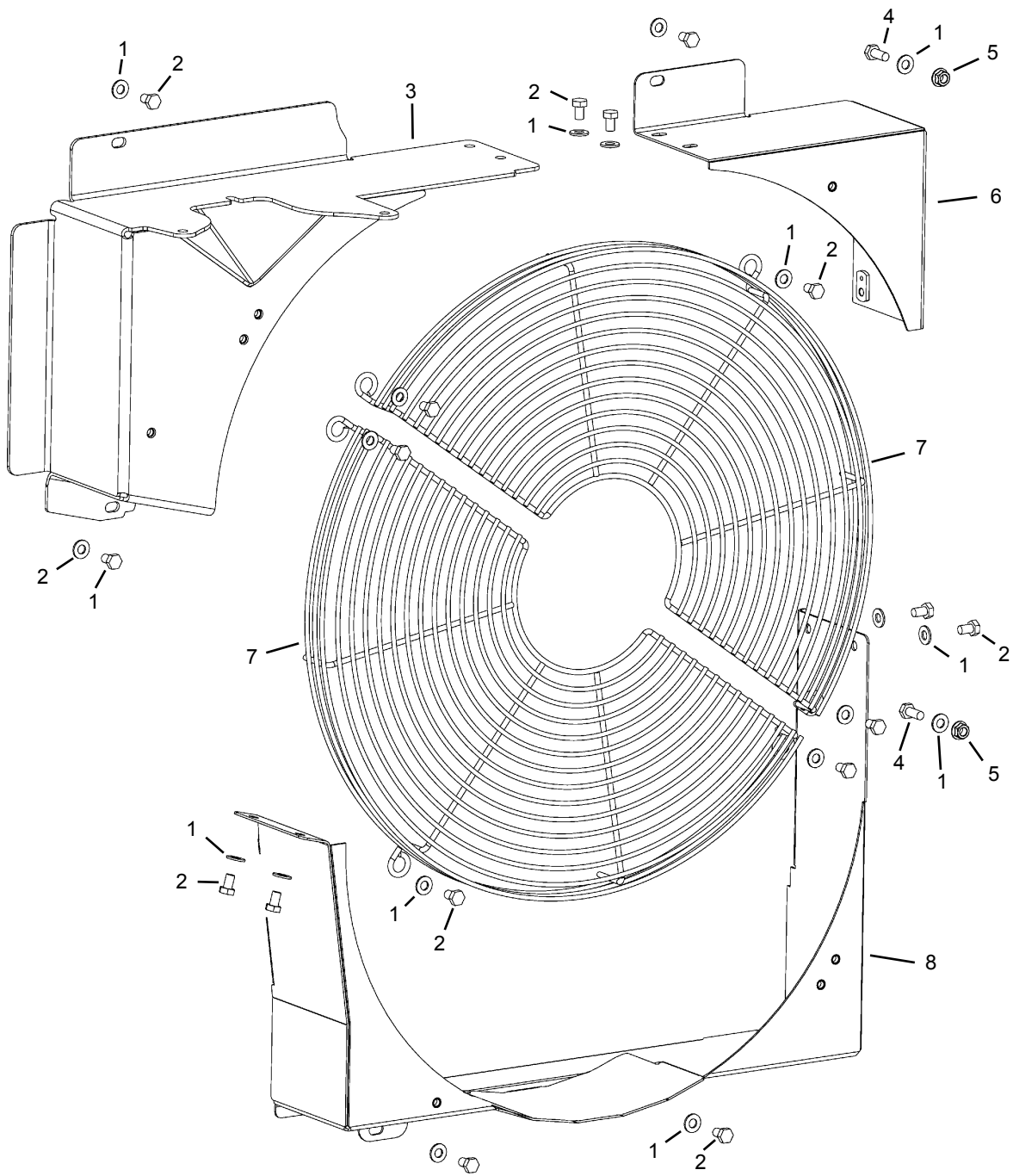
# Telescopic Handler

# Engine Radiator, Coolers, and Surge Tank



Ref. No.	Part No.	Description	Qty. Req.	Ref. No.	Part No.	Description	Qty. Req.
01	50380008	COOLER ASSEMBLY . . . . .	1	16	50380028	SURGE TANK (includes item #15)	.1
		(includes all items shown)		17	062023	CLAMP, HOSE #5	4
02	50220163	HYDRAULIC COOLER SECTION	.1	18	50380312	HOSE, OVERFLOW 8"	.1
03	50220164	CHECK VALVE 60 psi	.1	19	50380311	90 HB05-ISO6149-12 ORIFICE	.1
04	50220162	TRANS. COOLER SECTION	.1	20a	NSS	FITTING	.1
05	50220161	RADIATOR SECTION	.1	21	50380313	HOSE, OVERFLOW 14"	.1
06	50220160	CHARGE-AIR COOLER SECT.	.1	22	061946	CLAMP, HOSE #24	2
07	L40805	DRAIN VALVE	.1	23	50380293	HOSE, COOLANT FILL	.1
08	067847	HLN INST 3/8 CZY	.16	24	420-19671	CLAMP, VINYL 0.375" x 0.41"	.1
09	654006	FW 3/8 AWZY	.32	25	102262	HOSE, RADIATOR OVERFLOW	.1
10	076589	CS FL LOCK 3/8 x 1 C5ZY	.16	26	654004	FW 5/16 AWZY	.4
11	210148	STUD 3/8"-16x2"	.4	27	650484	CS 5/16 x 1/2 C5ZY	.4
12	090666	HN FL SLOC 3/8" CZY	.4	28	089001	CLAMP, VINYL 1.88" x 0.41"	.1
13	50380026	BRACKET, MOUNTING	.1				
14	176652	CS FLH M8-1.25X12 8.8 ZY	.4				
15	50220165	RADIATOR CAP, 18 PSI (JD)	.1				
		(included with item #16)					

a Contact John Deere parts department for part.



# Telescopic Handler

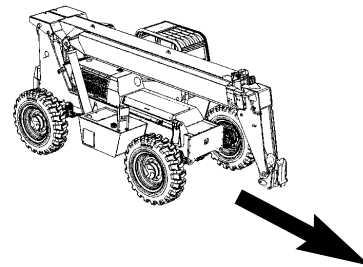
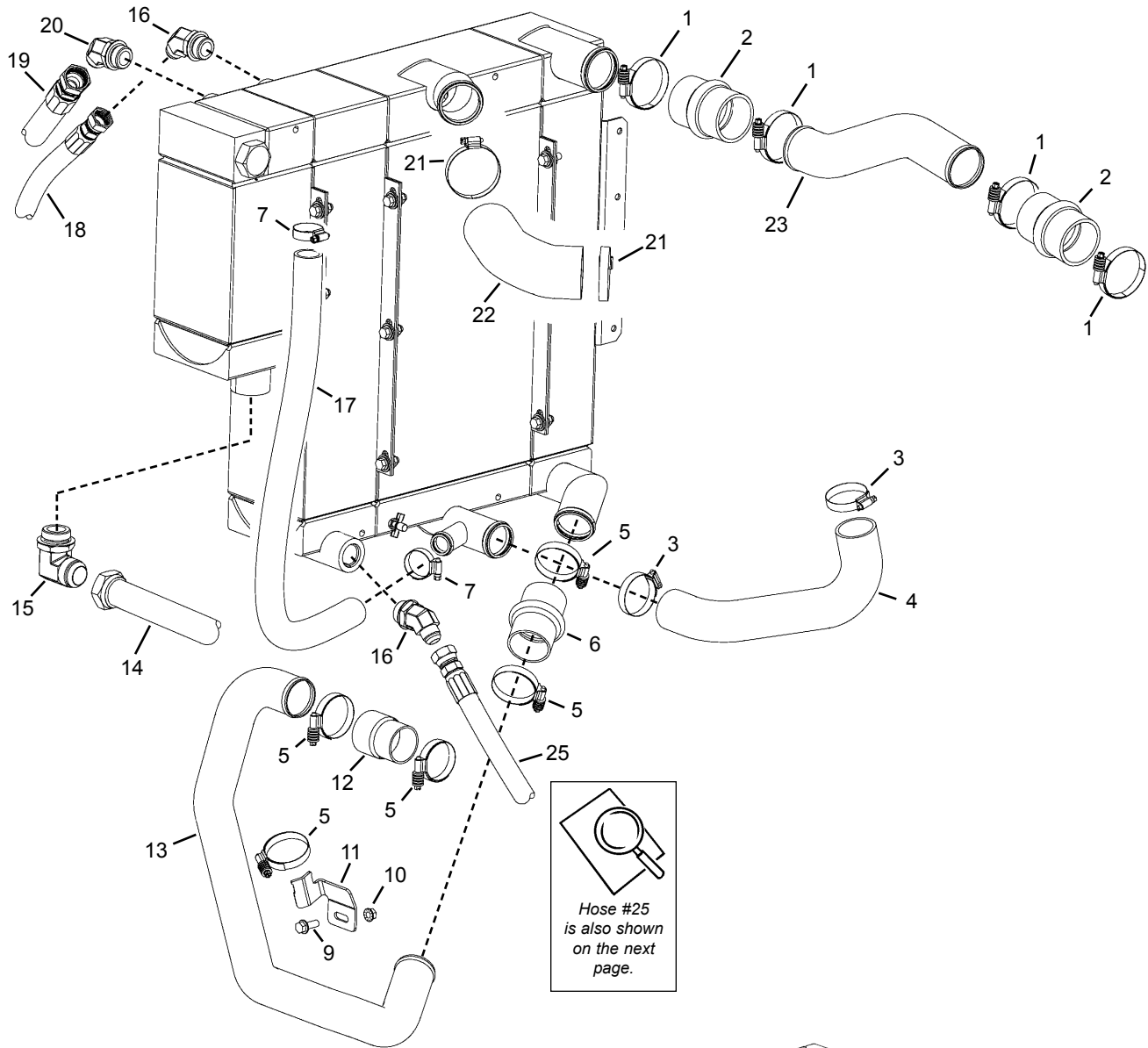
# Engine Radiator Shrouds and Guards

---

Ref. No.	Part No.	Description	Qty. Req.	Ref. No.	Part No.	Description	Qty. Req.
01	654004	FW 5/16 AWZY .....	AR	05	L50056	FLANGE LOCK NUT 5/16"-18 .....	2
02	650484	CS 5/16"x1/2" C5ZY .....	AR	06	50380279	SHROUD, LOWER LH .....	1
03	50380277	SHROUD, UPPER RH .....	1	07	104455	FAN GUARD .....	2
04	650486	CS 5/16"x3/4" c5zy .....	2	08	50380278	SHROUD, LOWER .....	1

# Engine Radiator/Cooler Hoses

# RS Series



# Telescopic Handler

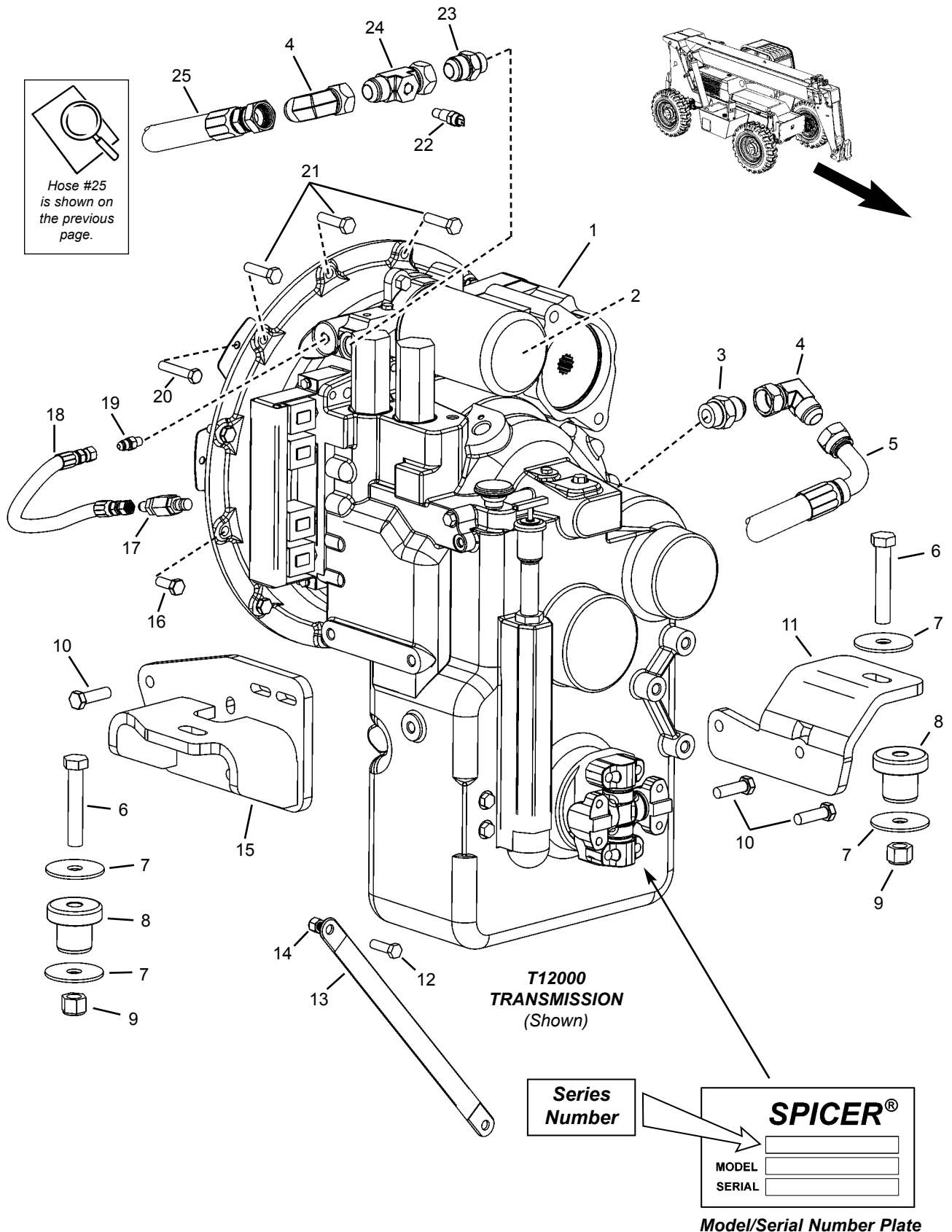
# Engine Radiator/Cooler Hoses

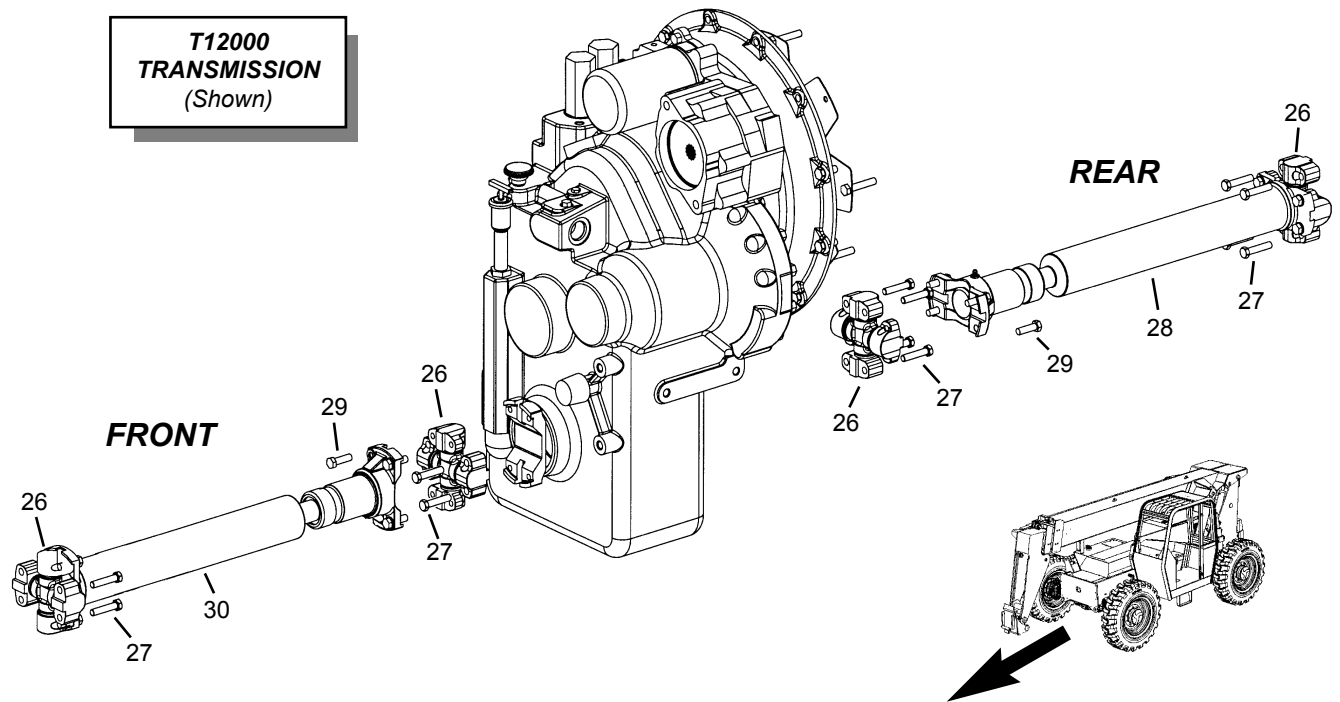
Ref. No.	Part No.	Description	Qty. Req.	Ref. No.	Part No.	Description	Qty. Req.
01	50300170	CLAMP, TENSION HOSE #40	4	15	127349	90 MJ20-MAORB20	1
02	211151	HOSE, SILICONE 2.50"	1	16	121773	45 MJ120MAORB16	2
03	L76020	CLAMP, HOSE #32	2	17	50380293	HOSE, COOLANT FILL	1
04	105763	HOSE, LOWER RADIATOR	1	18 <sup>a</sup>	L63406	HOSE, -12 A12/DS12 114" <i>(to transmission—left side)</i>	1
05	105175	CLAMP, TENSION HOSE #36	5	19	102849	HOSE, -16 A16/A16 42" <i>(to main hydraulic control valve)</i>	1
06	104452	HOSE, SILICONE 2.25"	1	20	079029	45 MJ16-MAORB16	1
07	061946	CLAMP, HOSE #24	2	21	087850	CLAMP, HOSE #40	2
09	076589	CS FL LOCK 3/8"x1" C5ZY	1	22	211307	HOSE, UPPER RADIATOR	1
10	090666	HN FL SLOC 3/8" CZY	1	23	211154	TUBE, UPPER CAC	1
11	50380071	BRACKET, CAC TUBE	1	25 <sup>a</sup>	271276	HOSE, MP -12 x50" <i>(to transmission—right side: refer to the next page for hose location on the transmission)</i>	1
12	104885	HOSE, SILICONE 2"—2-1/4"	1				
13	211176	TUBE, LOWER CAC	1				
14	50380024	TUBE, Hydraulic FILTER <i>(to hydraulic filter in hydraulic tank)</i>	1				

# Transmission

# RS Series

## External Components and Driveshafts

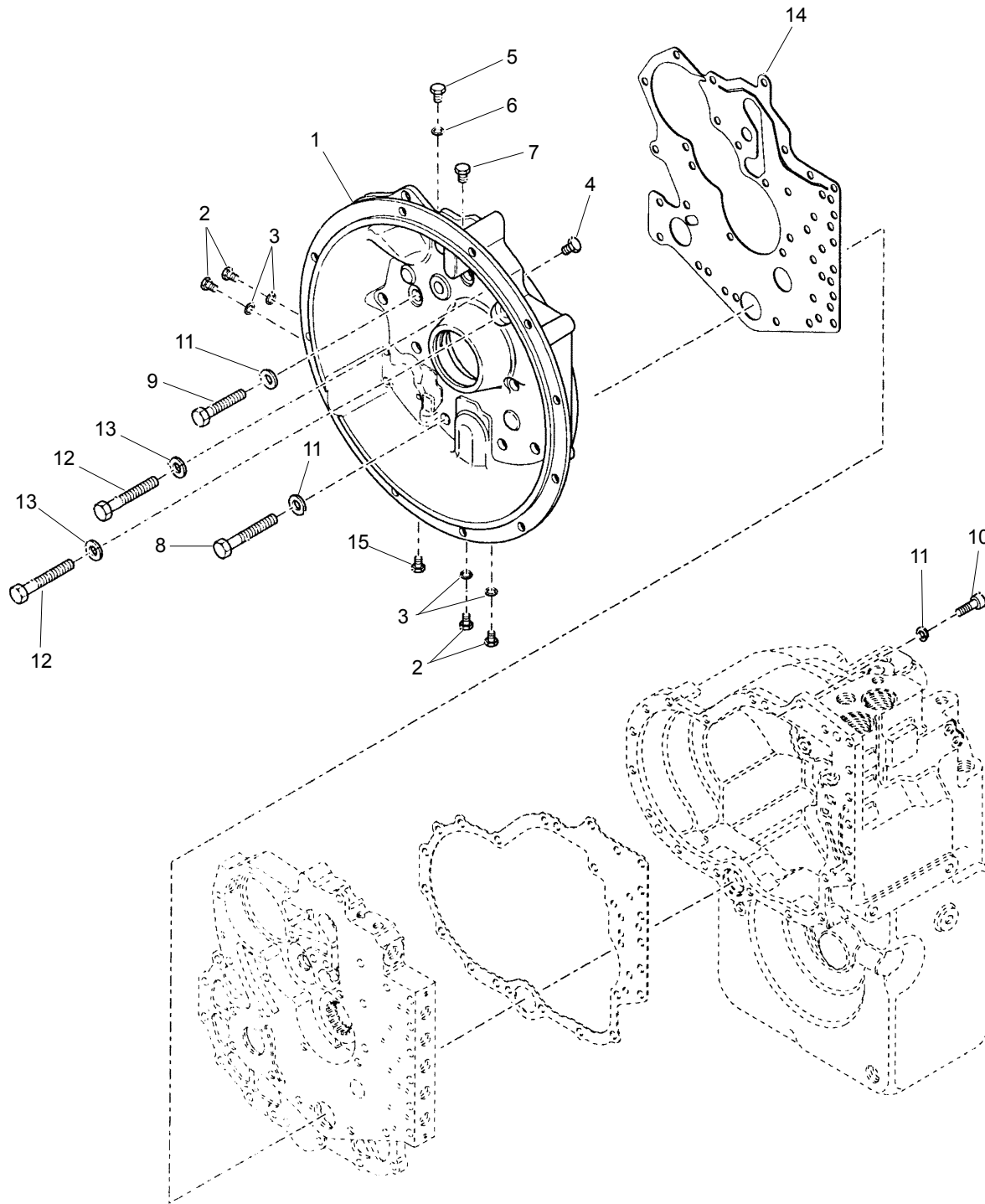




Ref. No.	Part No.	Description	Qty. Req.	Ref. No.	Part No.	Description	Qty. Req.
01		TRANSMISSION . . . . .	1	22	L66965	SENDER, TEMP 250° . . . . .	1
	102654	Note x (T12000)		23	054819	ST MJ12-MORB10 . . . . .	1
	210397	Note y (T13000)		24	50380387	TEE MJ12-FJS12-FP04 . . . . .	1
02	L99184	FILTER, TRANSMISSION OIL . . . . .	1	25 <sup>e</sup>	271276	HOSE, MP -12 x50" . . . . .	1
03	072587	ADAP., -12ORM -12JICM STR . . . . .	1			(to hyd. cooler—lower port)	
04	075235	ADAP., -12JICM -12JICFS 90° . . . . .	2	26	L99182	UNIVERSAL JOINT (incls. bolts) . . . . .	4
05 <sup>e</sup>	L63406	HOSE, -12 A12/DS12 114" . . . . .	1	27 <sup>a</sup>	L50468	3/8"-24X1-3/4" GR8 BOLT . . . . .	16
		(to hyd. cooler—upper port)		28		DRIVESHAFT, REAR . . . . .	1
06	650695	CS 5/8"-11 x 3-1/2" . . . . .	2		102212	(Note x) (includes u-joints)	
07	L64197	WASHER, ISOLATOR MOUNT . . . . .	4		L68549	(Note y) (includes u-joints)	
08	L64124	MOUNT, VIBRATION ISOLATOR . . . . .	2	29 <sup>b</sup>	650965	3/8"-24X1-1/4" GR 8 BOLT . . . . .	8
09	L520007	5/8"-11 NYLON INSERT NUT . . . . .	2		654026	3/8" LOCK WASHER . . . . .	8
10	L50704	M12X1.75X40mm BOLT . . . . .	5	30	102211	DRIVESHAFT, FRONT . . . . .	1
11	50380295	TRANS. MOUNT (LH) . . . . .	1			(Includes u-joints; all models use the same front driveshaft.)	
12	650491	CS 3/8" x1-1/4" C5ZY . . . . .	1				
13	L630004	GROUND STRAP . . . . .	1				
14	L520005	NIN 3/8"-16 . . . . .	1				
15	50380294	TRANS. MOUNT (RH) . . . . .	1				
16		BOLT . . . . .	9				
	L50952	Note x—CS M10-1.5x25 C8.8					
	656012	Note y—CS M10-1.5x50 C8.8					
17	L62834	TEST PORT FITTING . . . . .	1				
	L62840	DUST CAP (not shown) . . . . .	1				
18	104111	HOSE, -4 A4/A4 18" . . . . .	1				
19	230-20033	ST MJ04-MP02 . . . . .	1				
20 <sup>c</sup>	L50833	3/8"-24X2" GRADE 8 BOLT . . . . .	8	x		Only RS6-42 and RS8-42/44	
21		BOLT . . . . .	3	y		Only RS10-44/55 and RS12-42	
	651400	Note x—CS M10-1.5x40 C8.8					
	656013	Note y—CS M10-1.5x60 C8.8					

- a Used to fasten universal joint to transmission and to axle yokes.
- b Used to fasten universal joint to driveshaft.
- c Used to fasten flex plate to flywheel.
- d Used to fasten wire harness bracket to transmission.
- e Refer to previous page for hose location

## Torque Converter Housing - (RS6 and RS8 Models)



RS6 and RS8 Models Only



# Telescopic Handler

# Transmission

## Torque Converter Housing - (RS6 and RS8 Models)

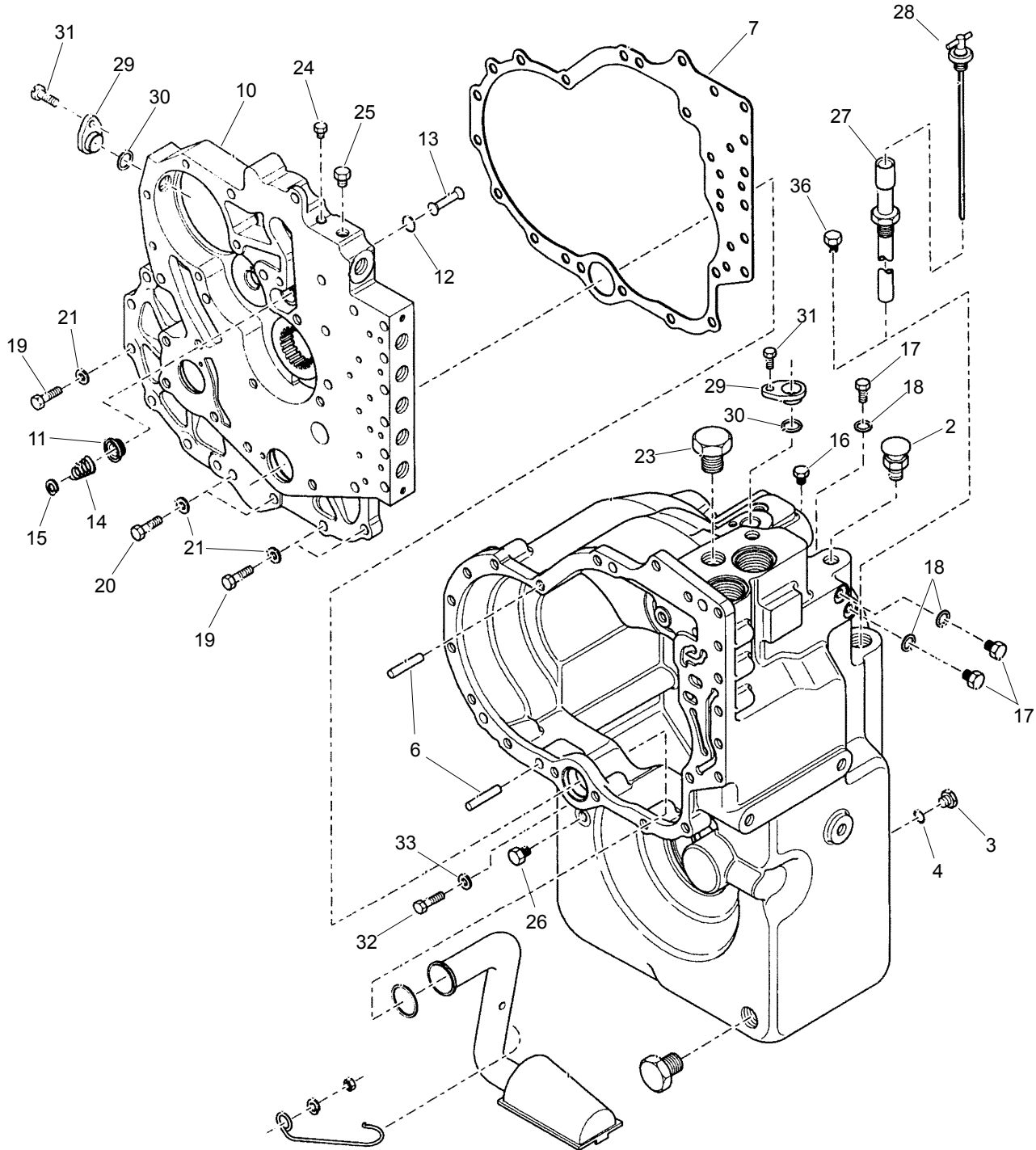
Ref. No.	Part No.	Description	Qty. Req.	Ref. No.	Part No.	Description	Qty. Req.
01	L99286	HOUSING/CONVERTER .....	1	09	L99260	SCREW .....	3
02	L99283	PLUG .....	4	10	L99261	SCREW .....	1
03	L99284	O-RING / PLUG .....	4	11	L99029	WASHER/LOCK .....	10
04	L99246	PLUG .....	1	12	L99260	SCREW .....	13
05	L99283	PLUG .....	1	13	L99029	WASHER/LOCK .....	13
06	L99284	O-RING / PLUG .....	1	14	L98938	GASKET/HSG. TO PLATE .....	1
07	L99262	PLUG .....	1	15	L99249	PLUG/TEMP PICKUP .....	1
08	L99285	SCREW .....	6				

RS6 and RS8 Models Only

# Transmission

# RS Series

## Case and Plate - (RS6 and RS8 Models)



RS6 and RS8 Models Only

# Telescopic Handler

# Transmission

## Case and Plate - (RS6 and RS8 Models)

Ref. No.	Part No.	Description	Qty. Req.	Ref. No.	Part No.	Description	Qty. Req.
01	NSS	CASE-TRANSMISSION .....	1	18	L99284	O-RING/PLUG .....	3
02	L94824	BREATHER/AIR .....	1	19	L99018	SCREW .....	7
03	L99251	PLUG .....	2	20	L99045	SCREW .....	2
		<i>(includes item 4)</i>		21	L99029	WASHER/LOCK .....	9
04	L99013	O-RING/PLUG .....	2	22	L98184	ASSY/TUBE & SCREEN .....	1
		<i>(part of item item 3)</i>		23	L99274	PLUG .....	1
05	L99253	PLUG/MAGNETIC DRAIN .....	1	24	L99246	PLUG .....	1
06	L98927	PIN/DOWEL PLATE TO CASE .....	2	25	L99262	PLUG .....	1
07	L98926	GASKET/PLATE TO CASE .....	1	26	106175	PLUG .....	1
08	L98185	RING/TUBE SEAL .....	1	27	L98734	TUBE/TRANS DIPSTICK .....	1
09	L98176	CLIP/OIL TUBE RETAINER .....	1	28	L98735	TRANS DIPSTICK TUBE .....	1
10	102949	PLATE, SPACER .....	1	29	L99287	PLUG .....	2
11	L98935	SEAT/SAFETY VALVE .....	1	30	L99312	O-RING .....	2
12	L98932	SNAP RING .....	1	31	L99288	SCREW .....	2
13	L98226	POPPET/SAFETY VALVE .....	1	32	L99285	SCREW .....	1
14	L98218	SPRING .....	1	33	L99294	WASHER/SEAL .....	1
15	L98217	WASHER/POPPET .....	1	34	L99295	WASHER/SCREW .....	1
16	L99246	PLUG .....	1	35	L99296	NUT .....	1
17	L99283	PLUG .....	3				

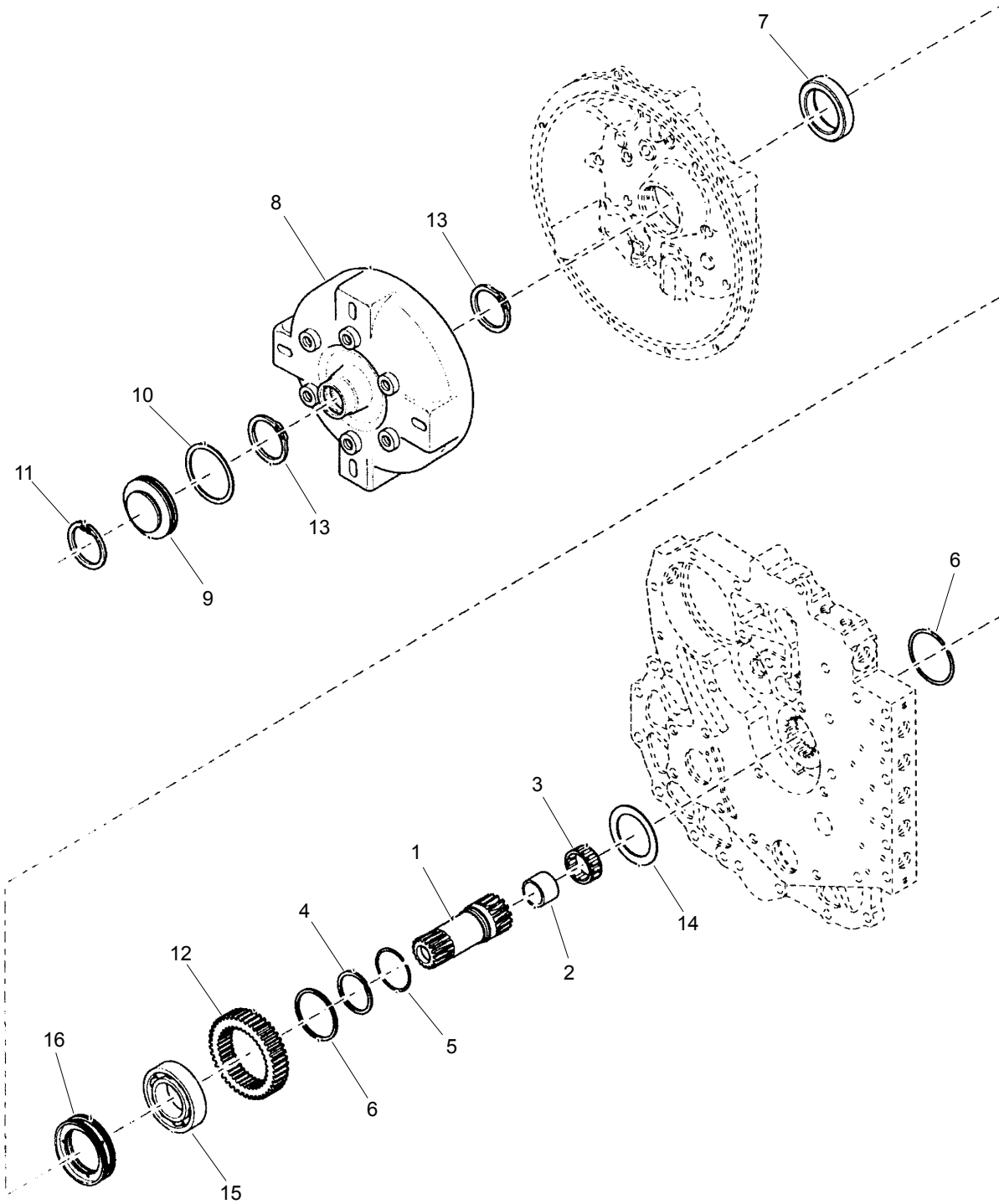
RS6 and RS8 Models Only

# Transmission

## Torque Converter - (RS6 and RS8 Models)

# RS Series

RS6 and RS8 Models Only



# Telescopic Handler

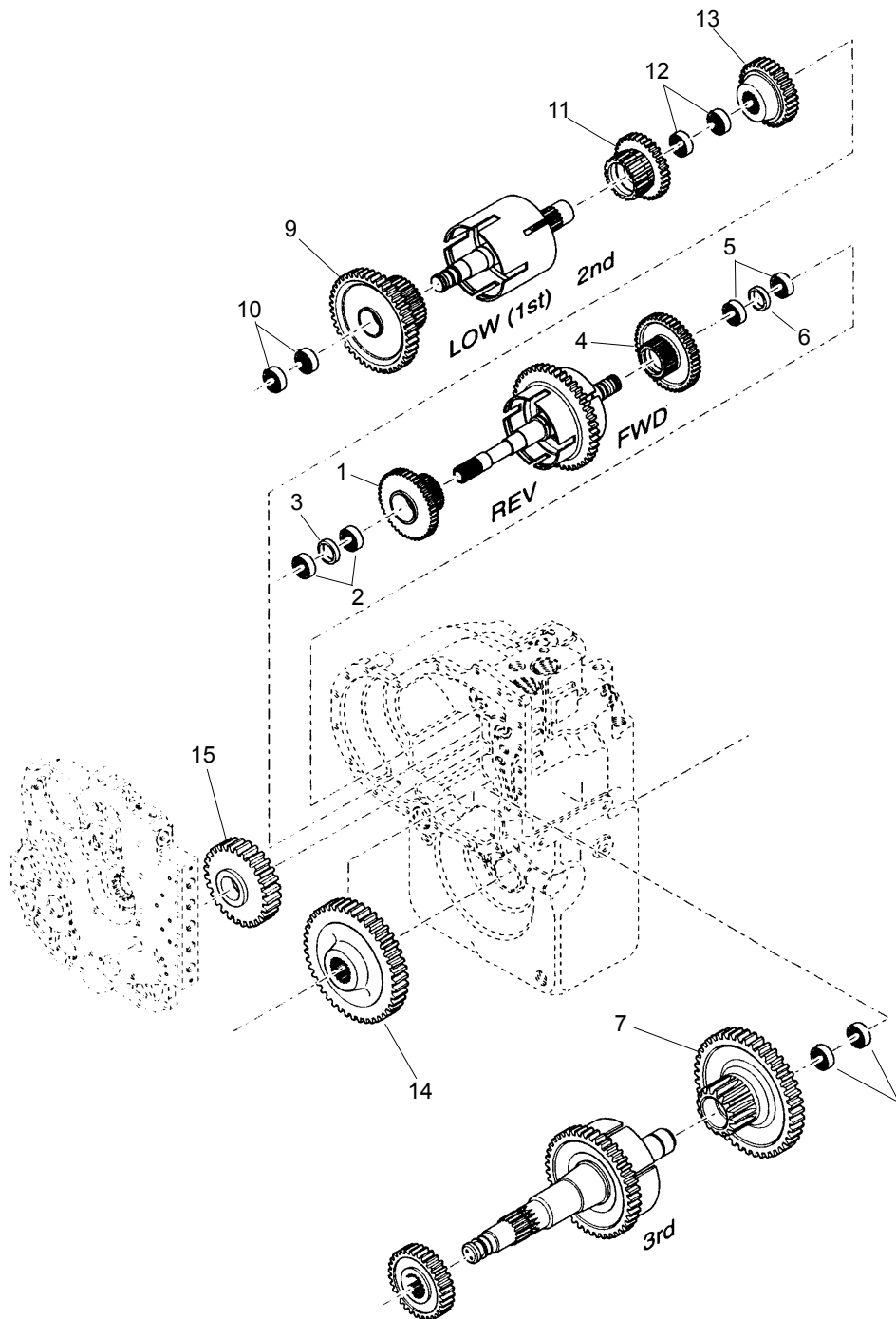
# Transmission

## Torque Converter - (RS6 and RS8 Models)

Ref. No.	Part No.	Description	Qty. Req.	Ref. No.	Part No.	Description	Qty. Req.
01	L98203	ASSY/STATOR SUPPORT . . . . .	1	09	L98189	PLUG/BORE . . . . .	1
02	L98204	BUSHING . . . . .	1	10	L97525	O-RING/BORE PLUG . . . . .	1
03	L98197	BEARING/FRONT . . . . .	1	11	L97526	RING/RET. BORE PLUG . . . . .	1
04	L98201	RING/PISTON . . . . .	1	12	L98199	IMPELLER/HUB GEAR . . . . .	1
05	L98202	EXPANDER/RING . . . . .	1	13	L98191	SNAP RING/IMPELLER HUB . . . . .	2
06	L98200	RING/SNAP . . . . .	2	14	L98205	WASHER/HUB GEAR . . . . .	1
07	L98194	SEAL/OIL CONV. HSG. . . . .	1	15	L98198	BEARING/TORQUE CONVERTER. 1	1
08	L99313	ASSY/TORQUE CONVERTER . . . . .	1	16	L98196	RING/OIL DISTRIBUTOR . . . . .	1

RS6 and RS8 Models Only

## Gear Assembly - (RS6 and RS8 Models)



RS6 and RS8 Models Only

# Telescopic Handler

# Transmission Gear Assembly - (RS6 and RS8 Models)

Ref. No.	Part No.	Description	Qty. Req.	Ref. No.	Part No.	Description	Qty. Req.
01	NSS	ASSY/REV. GEAR & BEARING . . . 1 <i>(includes items 2 and 3)</i>	1	09	L98968	1st CLUTCH GEAR/BRG. ASSY . . . 1 <i>(includes item 9)</i>	1
02	L98253	BEARING/NEEDLE . . . . . 2 <i>(part of item 1)</i>	2	10	L98253	BEARING/NEEDLE . . . . . 2 <i>(part of item 9)</i>	2
03	L98254	SPACER/CLUTCH GEAR . . . . . 1 <i>(part of item 1)</i>	1	11	L98276	2nd CLUTCH GEAR/BRG. ASSY . . 1 <i>(includes item 12)</i>	1
04	NSS	ASSY/FOR. GEAR & BEARING . . . 1 <i>(includes items 5 and 6)</i>	1	12	L98253	BEARING/NEEDLE . . . . . 2 <i>(part of item 11)</i>	2
05	L98253	BEARING/NEEDLE . . . . . 2 <i>(part of item 4)</i>	2	13	L98277	GEAR/THIRD DRIVEN - 18T . . . . . 1	1
06	L98254	SPACER/CLUTCH GEAR . . . . . 1 <i>(part of item 4)</i>	1	14 <sup>a</sup>	L98284	GEAR/OUTPUT SHAFT - 40T . . . . . 1	1
07	L500407	ASY. 3RD CLUTCH GEAR . . . . . 1 <i>(includes item 8)</i>	1	15 <sup>b</sup>	L98955	GEAR/REVERSE IDLER - 28T . . . . . 1	1
08	L500408	BEARING-3RD CLUTCH GEAR . . . 2 <i>(part of item 7)</i>	2	16	L500409	GEAR/FIRST DRIVEN - 27T . . . . . 1	1

a Refer to section "Output Shaft" for more information.  
b Refer to section "Reverse Idler" for more information.

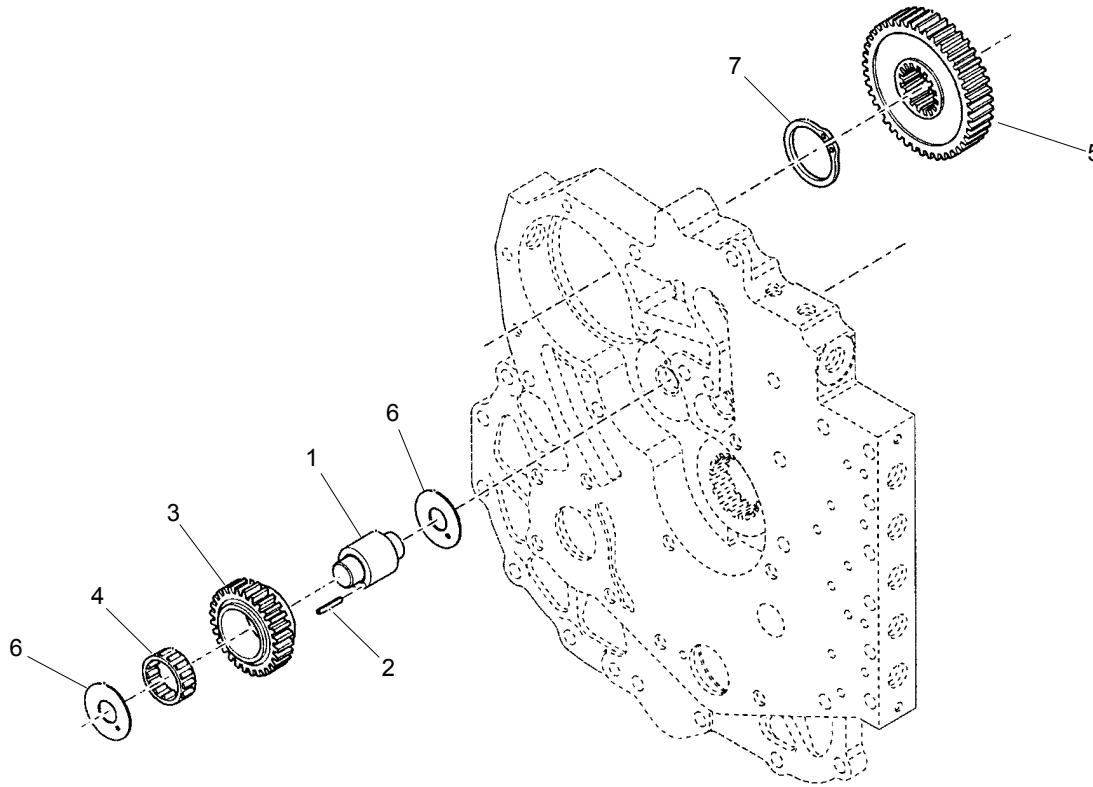
RS6 and RS8 Models Only

# Transmission

# RS Series

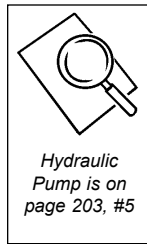
## Pump Drive - (RS6 and RS8 Models)

RS6 and RS8 Models Only

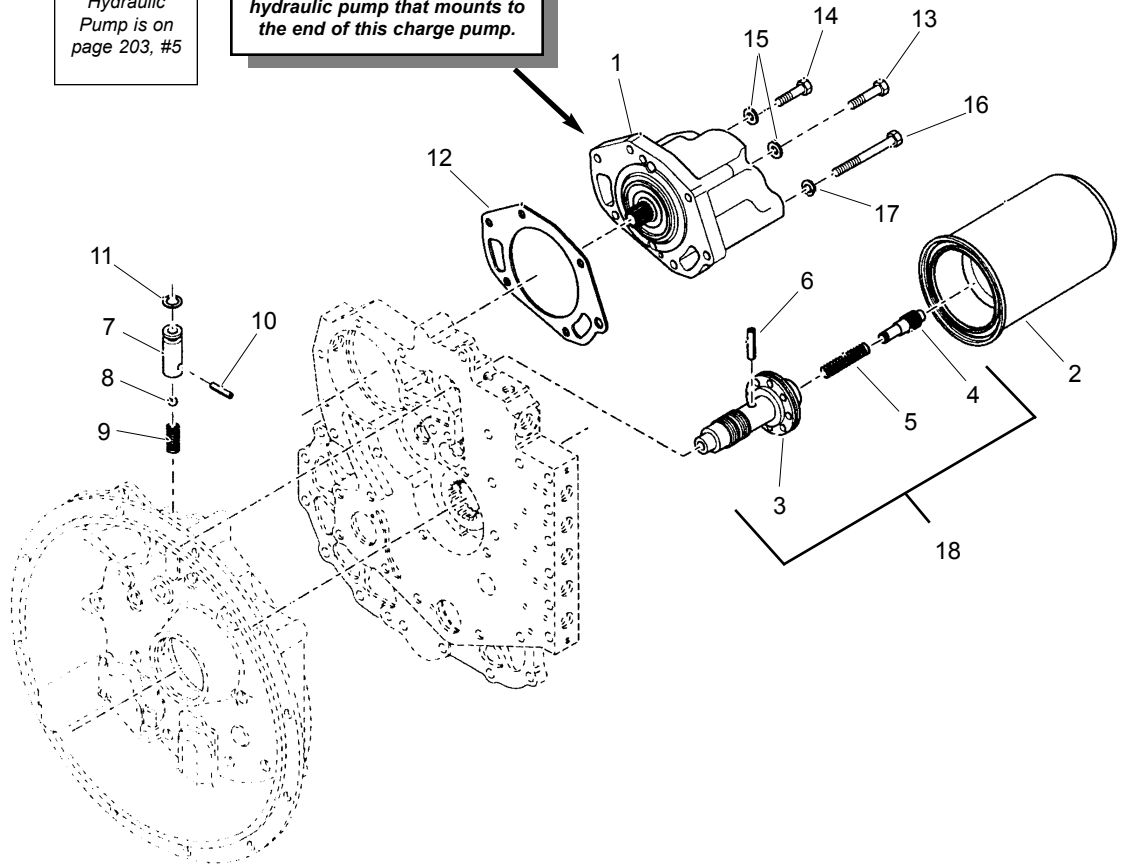


Ref. No.	Part No.	Description	Qty. Req.	Ref. No.	Part No.	Description	Qty. Req.
01	L98945	IDLER/SHAFT & PIN. .... 1 <i>(includes item 2)</i>	1	04	L98943	BEARING/IDLER GEAR. .... 1	1
02	L98947	ROLL PIN ..... 1 <i>(part of item 1)</i>	1	05	L98211	GEAR/DRIVE. .... 1	1
03	L98944	GEAR/IDLER,PUMP DRIVE. .... 1	1	06	L98942	WASHER/THRUST ..... 2	2
				07	L98212	RING/SNAP. .... 1	1





**CHARGE PUMP**  
Not to be confused with the hydraulic pump that mounts to the end of this charge pump.



RS6 and RS8 Models Only

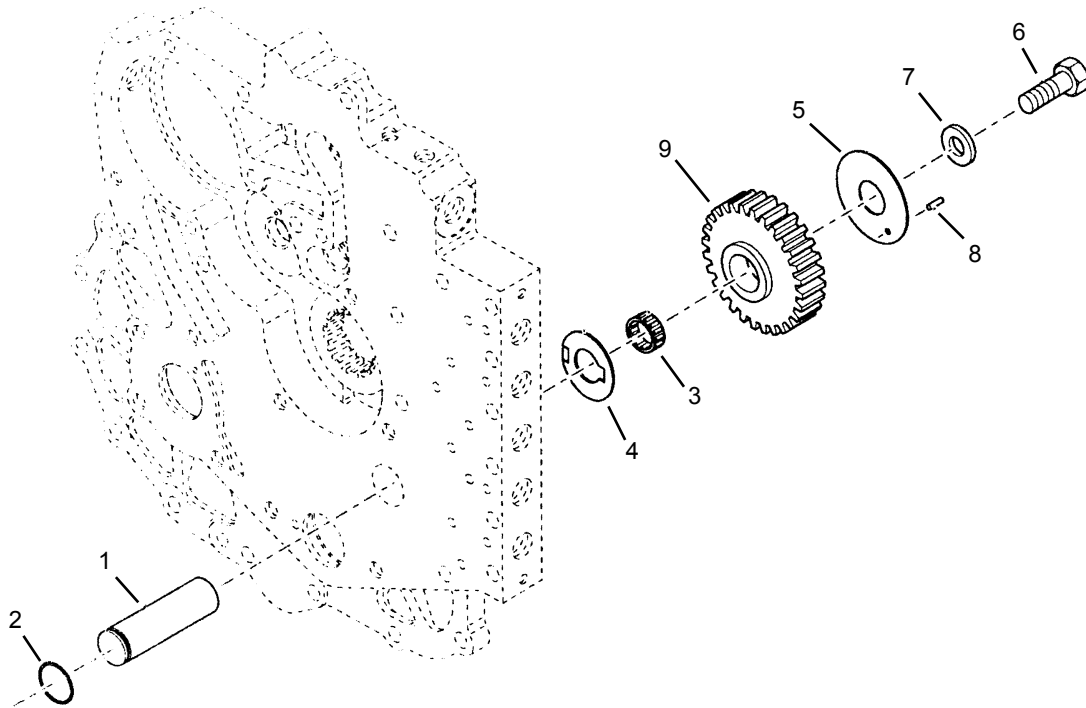
Ref. No.	Part No.	Description	Qty. Req.	Ref. No.	Part No.	Description	Qty. Req.
01	L98220	CHARGE PUMP / T12000	1	10	L98214	PIN	1
02	L99184	TRANSMISSION FILTER	1	11	L98948	O-RING	1
03	L98953	SLEEVE	1	12	L98219	GASKET/CHARGE PUMP	1
04	L98950	PISTON	1	13	L99025	SCREW	4
05	L98951	SPRING	1	14	L99023	SCREW	1
06	L98224	PIN/CLARK TRANS.	1	15	L99020	WASHER/LOCK	5
07	L98949	ASSY/BALL CHECK VALVE (includes items 8 thru 11)	1	16	L99027	SCREW	1
08	L98215	BALL	1	17	L99029	WASHER/LOCK	1
09	L98216	SPRING	1	18	L98954	ASY., REGULATOR VALVE (includes items 3-6)	1

# Transmission

## Reverse Idler - (RS6 and RS8 Models)

# RS Series

RS6 and RS8 Models Only



# Telescopic Handler

# Transmission

## *Reverse Idler - (RS6 and RS8 Models)*

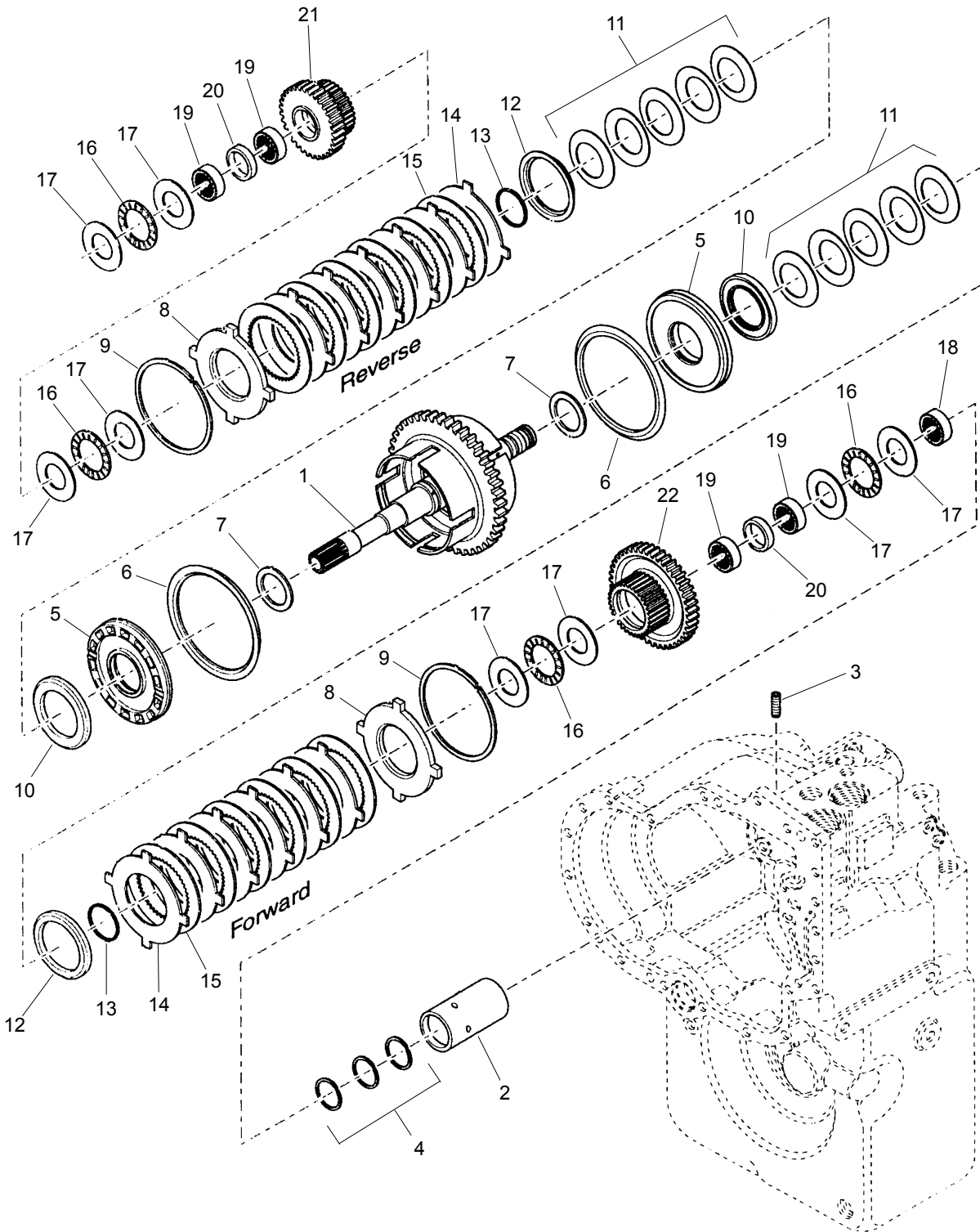
Ref. No.	Part No.	Description	Qty. Req.	Ref. No.	Part No.	Description	Qty. Req.
01	L98229	SHAFT IDLER & PILOT .....	1	06	L99031	CAPSCREW .....	1
02	L98228	RING/SNAP .....	1	07	L99032	WASHER .....	1
03	L98231	BEARING/REV IDLER GEAR .....	1	08	L98233	END PLATE .....	1
04	L98230	WASHER/THRUST .....	1	09	L98955	GEAR (24T) .....	1
05	L98232	END PLATE .....	1				

RS6 and RS8 Models Only

# Transmission

# RS Series

## Forward and Reverse - (RS6 and RS8 Models)



RS6 and RS8 Models Only

# Telescopic Handler

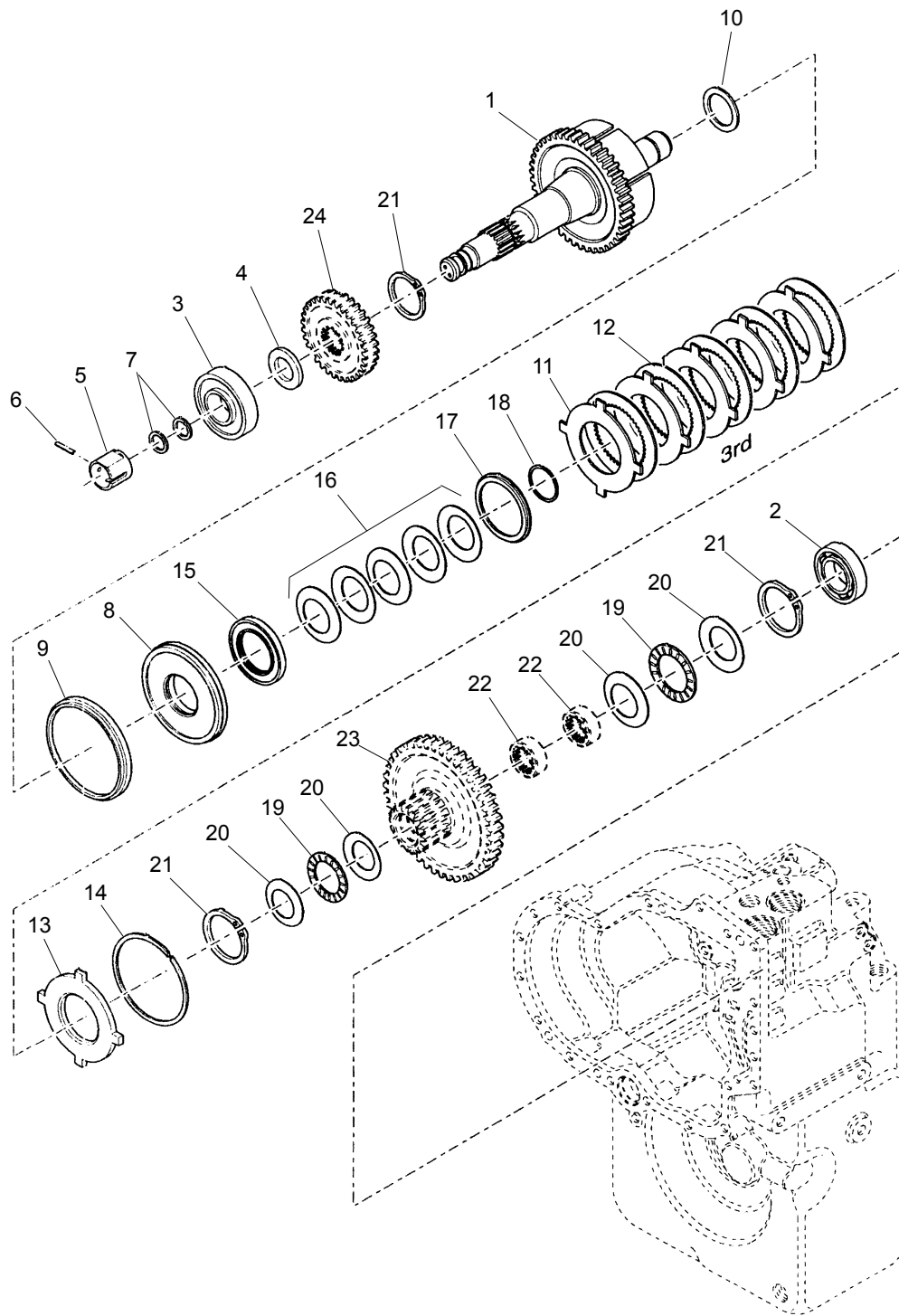
# Transmission

## Forward and Reverse - (RS6 and RS8 Models)

Ref. No.	Part No.	Description	Qty. Req.	Ref. No.	Part No.	Description	Qty. Req.
01	L98248	ASY/TURB SHFT DRUM & PLUG .	1	12	L98242	RETAINER.....	2
02	L98251	SLEEVE/OIL DISTRIBUTOR.....	1	13	L98241	RETAINER/SNAP RING .....	2
03	L98252	SCREW.....	1	14	L98240	CLUTCH/OUTER FWD.....	12
04	L98250	RING/PISTON.....	3	15	L98239	CLUTCH/INNER FWD.....	12
05	L99278	ASY/PISTON.....	2	16	L98236	BEARING.....	4
		<i>(includes items 6 and 7)</i>		17	L98235	WASHER/THRUST .....	8
06	L98246	SEAL/OUTER PISTON .....	2	18	L98249	BEARING/REAR .....	1
		<i>(part of item 5)</i>		19	L98253	BEARING/CLUTCH GEAR .....	4
07	L98247	SEAL/INNER PISTON.....	2	20	L98254	SPACER/CLUTCH GEAR.....	2
		<i>(part of item 5)</i>		21	L98962	ASSY/REV. AND BRG. ....	1
08	L98238	PLATE/END .....	2			<i>(includes items 19 and 20)</i>	
09	L98237	RING/SNAP .....	2	22	L98255	ASSY/FOR. GEAR AND BRG. ....	1
10	L98244	PLATE/WEAR .....	2			<i>(includes items 19 and 20)</i>	
11	L98961	ASY/DISC SPRING Pkg 5.....	2				

RS6 and RS8 Models Only

## Third Gear - (RS6 and RS8 Models)



RS6 and RS8 Models Only

# Telescopic Handler

# Transmission

## Third Gear - (RS6 and RS8 Models)

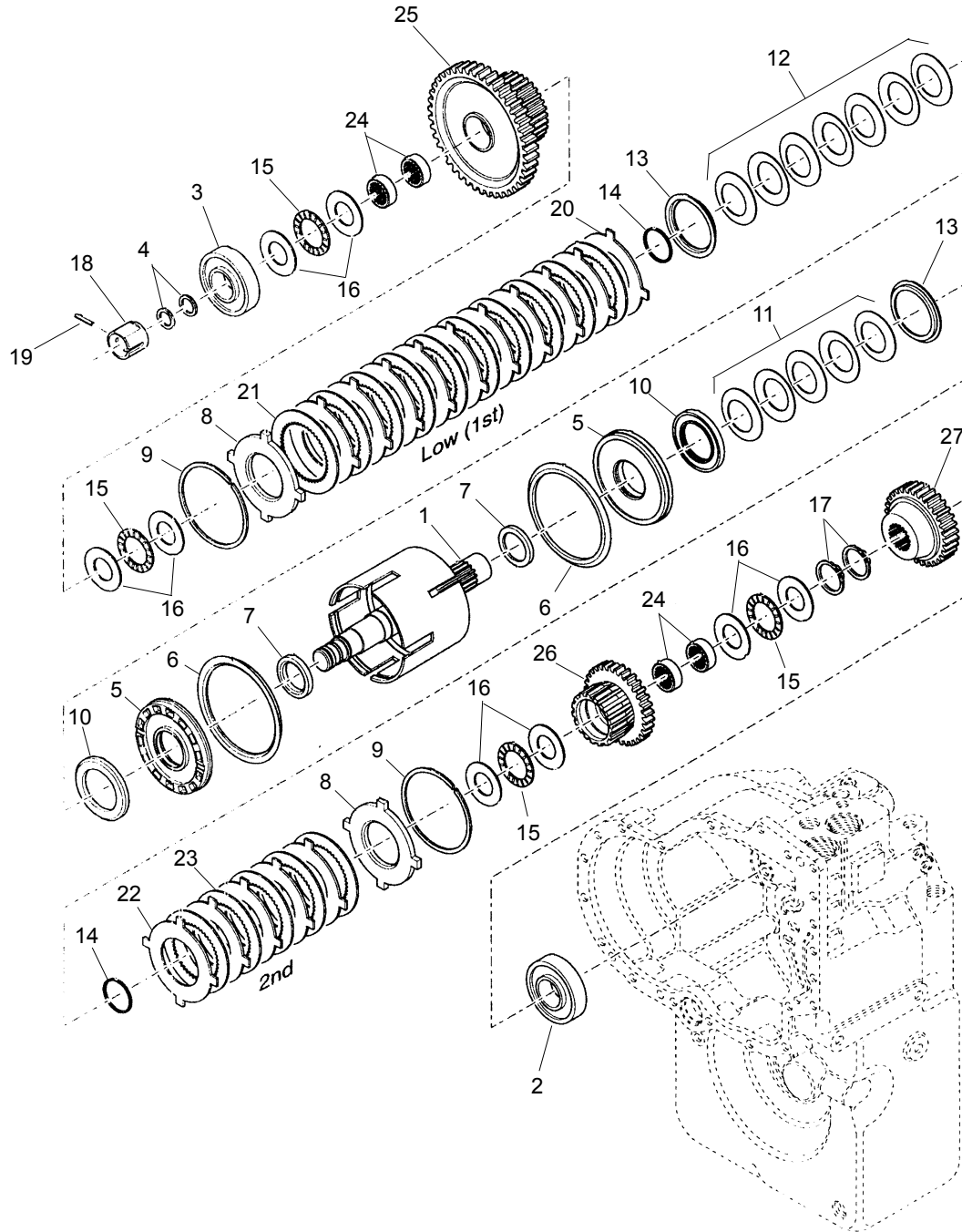
Ref. No.	Part No.	Description	Qty. Req.	Ref. No.	Part No.	Description	Qty. Req.
01	L500410	ASY-3RD SHAFT, DRUM & PLUG .	1	13	L98238	PLATE/END.....	1
02	L500411	BEARING-ROLLER.....	1	14	L98237	RING/SNAP.....	1
03	L500273	ASSY/BEARING & SEAL.....	1	15	L98244	RING/SNAP.....	1
04	L500412	WASHER-BEARING SUPPORT...	1	16	L98961	ASY/DISC SPRG PKG 5.....	1
05	L98258	SLEEVE/OIL DISTRIBUTOR.....	1	17	L98242	RETAINER.....	1
06	L98257	SCREW/SLEEVE LOCK.....	1	18	L98241	RETAINER/SNAP RING.....	1
07	L98250	RING/PISTON.....	2	19	L500413	BEARING-THRUST NEEDLE.....	2
08	L99279	ASSY/CLTCH PISTON & BALL...	1	20	L500414	WASHER/CLTCH GEAR THRUST.	4
09	L98246	SEAL/OUTER PISTON.....	1	21	L99696	RING/SNAP.....	3
10	L98247	SEAL/INNER PISTON.....	1	22	L500408	BEARING-3RD CLUTCH GEAR...	2
11	L98240	CLUTCH/OUTER FWD.....	5	23	L500407	ASY. 3RD CLUTCH GEAR.....	1
12	L98239	CLUTCH/INNER FWD.....	5	24	L500409	GEAR-FIRST DRIVEN.....	1

RS6 and RS8 Models Only

# Transmission

# RS Series

## First and Second Gear - (RS6 and RS8 Models)



RS6 and RS8 Models Only



# Telescopic Handler

# Transmission

## First and Second Gear - (RS6 and RS8 Models)

Ref. No.	Part No.	Description	Qty. Req.	Ref. No.	Part No.	Description	Qty. Req.
01	L98274	ASY-1ST 2ND SHAFT.....	1	16	L98235	WASHER/THRUST.....	8
02	L98275	BEARING/REAR.....	1	17	L98260	RING/SNAP.....	2
03	L500273	ASSY/BEARING & SEAL.....	1	18	L98272	SLEEVE/OIL DISTRIBUTOR.....	1
04	L98250	RING/PISTON.....	2	19	L98257	SCREW/SLEEVE LOCK.....	1
05	L99038	PISTON/CLUTCH & SEALS.....	2	20	L98240	CLUTCH/OUTER FWD.....	10
06	L98246	SEAL/OUTER PISTON.....	2	21	L98239	CLUTCH/INNER FWD.....	10
07	L98247	SEAL/INNER PISTON.....	2	22	L98240	CLUTCH/OUTER FWD.....	5
08	L98238	PLATE/END.....	2	23	L98239	CLUTCH/INNER FWD.....	5
09	L98237	RING/SNAP.....	2	24	L98253	BEARING/CLUTCH GEAR.....	4
10	L98244	PLATE/WEAR.....	2	25	L98968	1ST CLUTCH GEAR/BRG ASSY ..	1
11	L98961	ASSY/DISC SPRG PKG 5.....	1			<i>(includes item 24)</i>	
12	L500416	SPRING/DISC ASSY PKG (7).....	1	26	L98276	2ND CLUTCH GEAR/BRG ASSY ..	1
13	L98242	RETAINER.....	2			<i>(includes item 24)</i>	
14	L98241	RETAINER/SNAP RING.....	2	27	L98277	GEAR/3RD DRIVEN.....	1
15	L98236	BEARING.....	4				

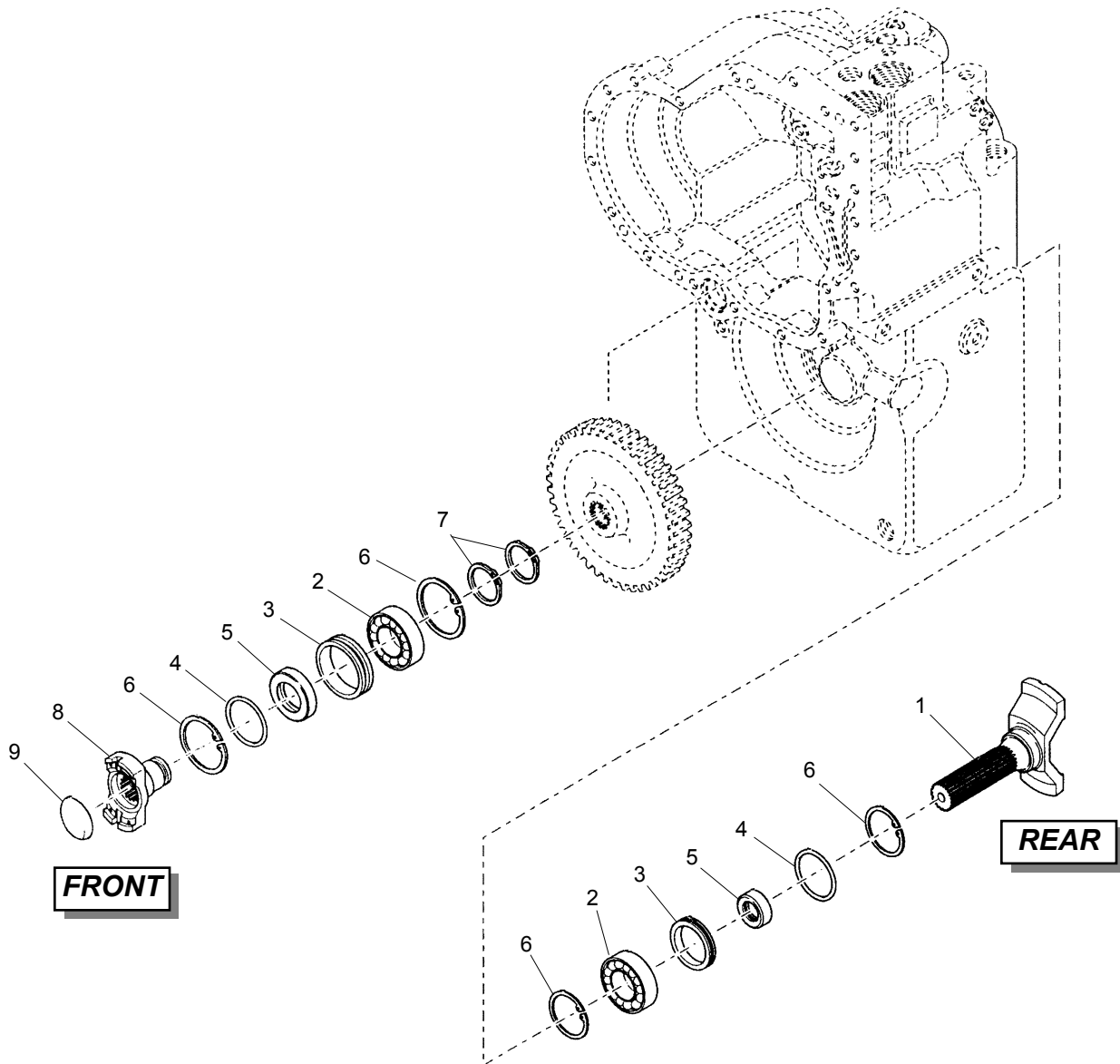
RS6 and RS8 Models Only

# Transmission

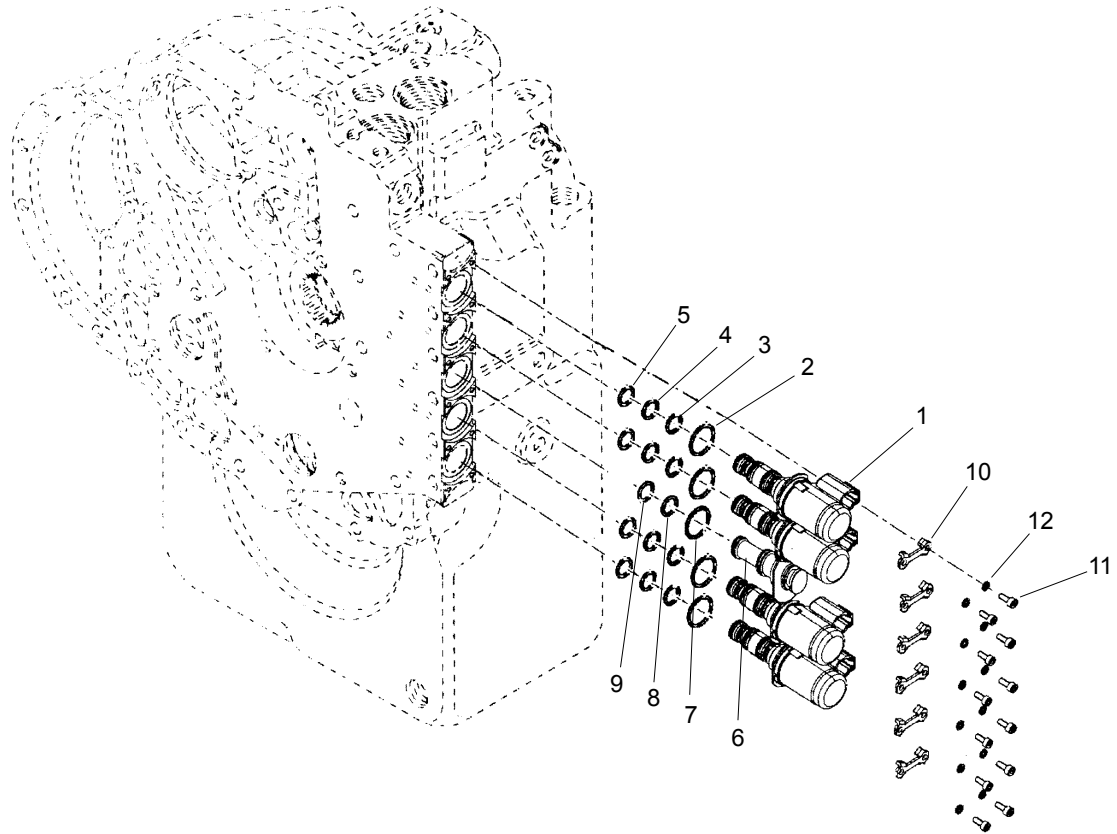
## Output Shaft - (RS6 and RS8 Models)

# RS Series

RS6 and RS8 Models Only



Ref. No.	Part No.	Description	Qty. Req.	Ref. No.	Part No.	Description	Qty. Req.
01	L500274	SHAFT/OUTPUT	1	06	L98264	RING/SNAP	4
02	L98282	BEARING/SHAFT	2	07	L98266	RING/SNAP	2
03	L98281	SLEEVE/OIL SEAL	2	08	L98279	FLANGE/OUTPUT & PLUG ASSY	1
04	L98268	O-RING/SLEEVE	2	09	L98278	PLUG/FLANGE	1
05	L96053	SEAL/OUTPUT SHAFT OIL	2				

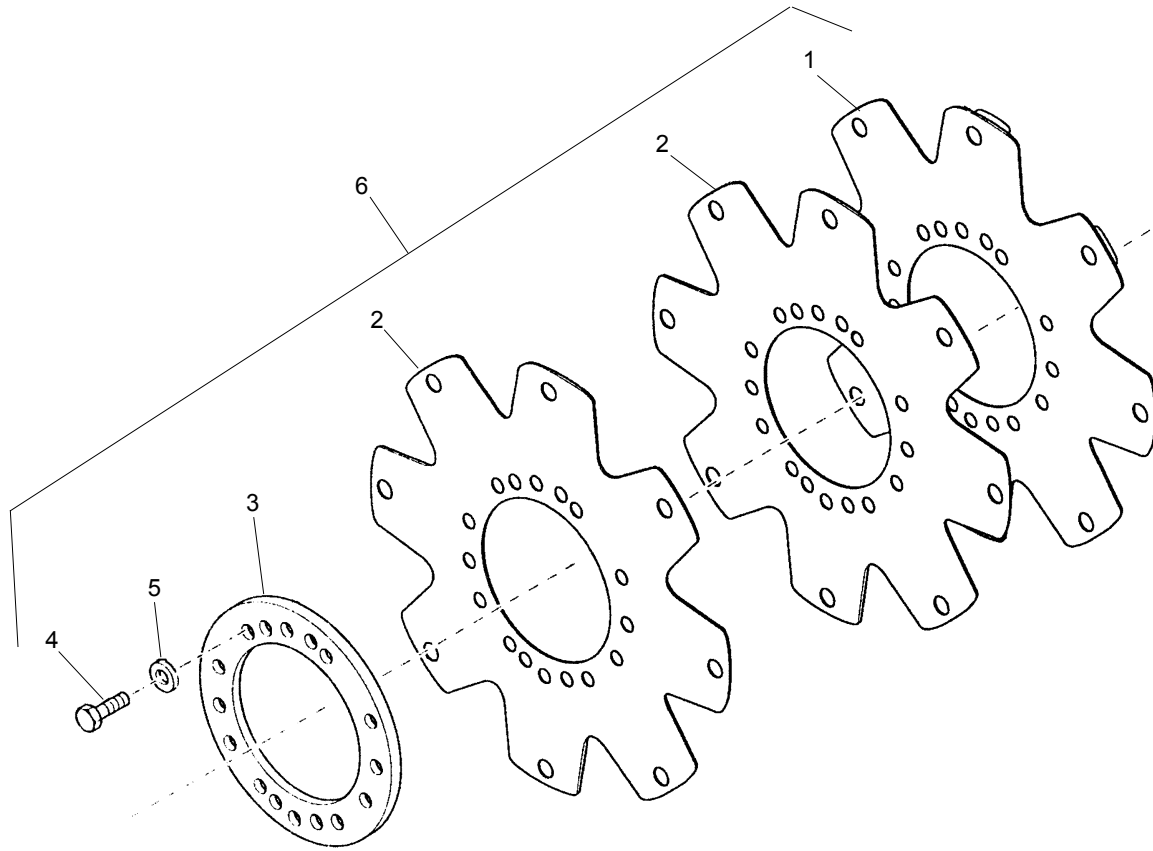


RS6 and RS8 Models Only

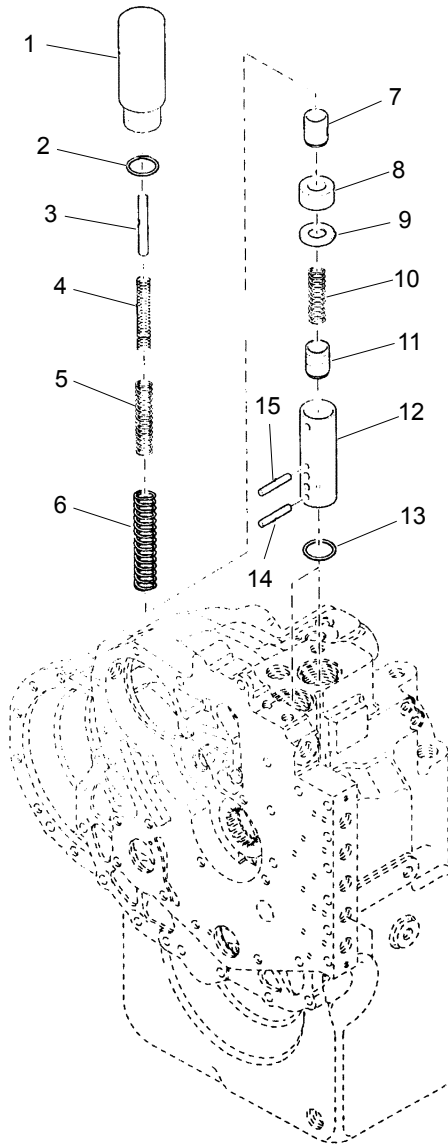
Ref. No.	Part No.	Description	Qty. Req.	Ref. No.	Part No.	Description	Qty. Req.
01	102950	SOLENOID, W / DEUTSCH CON. . . . .	4	07	102956	O-RING, 18.0 X 2.20MM . . . . .	1
		<i>(includes items 2 thru 5)</i>				<i>(included with item 6)</i>	
02	102951	O-RING, 21.5 X 1.5MM . . . . .	4	08	102952	O-RING, 15.1 X 1.60MM . . . . .	1
		<i>(included with item 1)</i>				<i>(included with item 6)</i>	
03	102952	O-RING, 15.1 X 1.60MM . . . . .	4	09	102954	O-RING, 12.1 X 1.60MM . . . . .	1
		<i>(included with item 1)</i>				<i>(included with item 6)</i>	
04	102953	O-RING, 14.1 X 1.60MM . . . . .	4	10	102957	CLAMP, SOLENOID . . . . .	6
		<i>(included with item 1)</i>		11	106259	CAPSCREW . . . . .	12
05	102954	O-RING, 12.1 X 1.60MM . . . . .	4	12	102959	WASHER, PLAIN. . . . .	12
		<i>(included with item 1)</i>					
06	102955	PLUG, SOLENOID BORE . . . . .	1				
		<i>(includes items 7, 8 and 9)</i>					

## Drive Plate - (RS6 and RS8 Models)

RS6 and RS8 Models Only



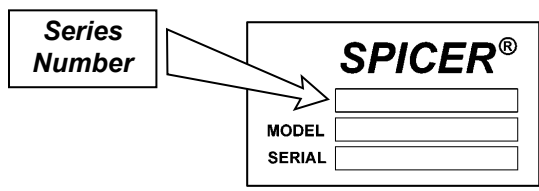
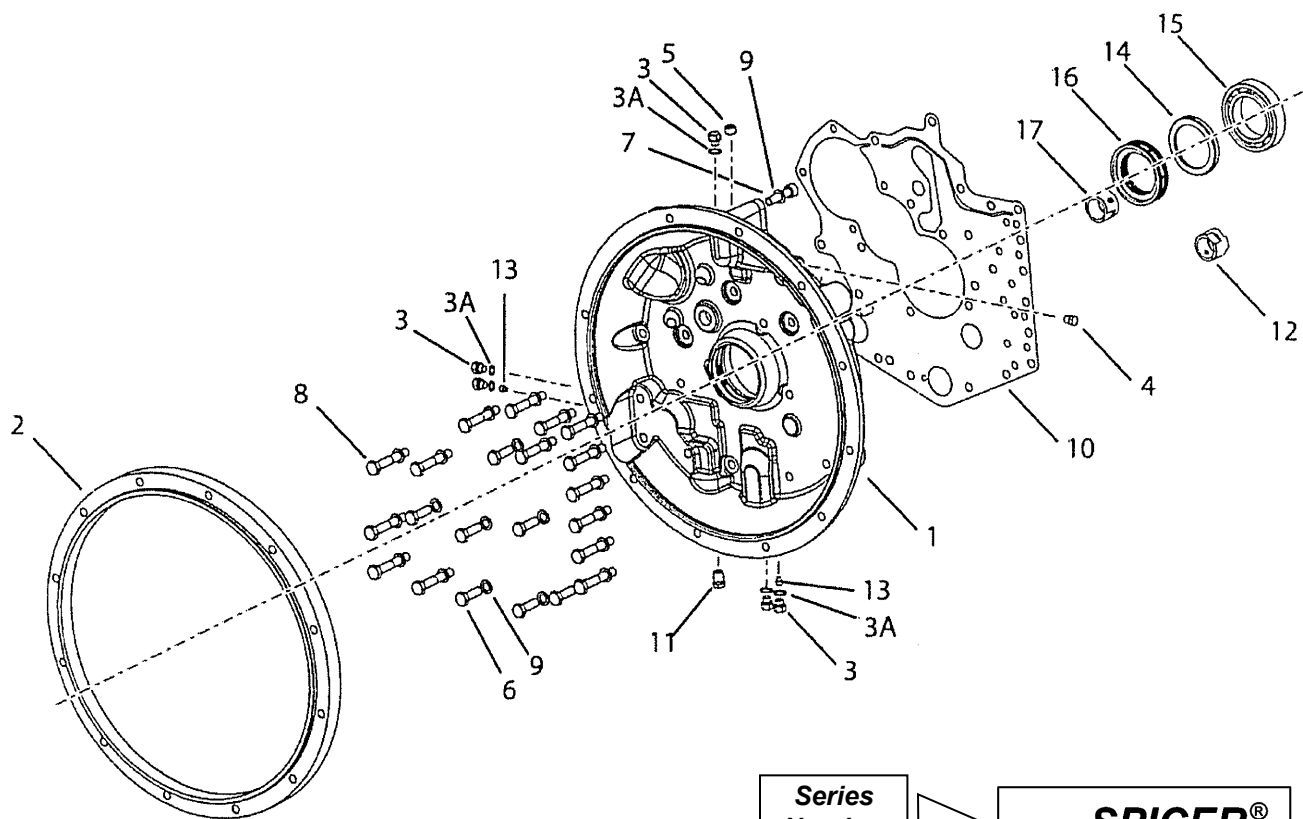
Ref. No.	Part No.	Description	Qty. Req.	Ref. No.	Part No.	Description	Qty. Req.
01	NSS	ASSY/DRIVE PLATE..... 1 <i>(included in item 6)</i>	1	04	L99785	SCREW/DRIVE PLATE MNTG .... 6	6
02	NSS	DRIVE PLATE ..... 2 <i>(included in item 6)</i>	2	05	L99030	LOCKWASHER/DRIVEPLATE .... 6	6
03	L98316	RING/DRIVE PLATE BACKING ... 1	1	06	L98317	KIT/DRIVE PLATE ASSY ..... 1 <i>(includes items 1 thru 5)</i>	1



RS6 and RS8 Models Only

Ref. No.	Part No.	Description	Qty. Req.	Ref. No.	Part No.	Description	Qty. Req.
01	L98291	HOUSING MODULATOR VALVE	2	09	L98301	SPACER	2
02	L98292	O-RING	2	10	L98300	SPRING	2
03	L98293	PIN STOP	2	11	L98958	SPOOL	2
04	L98294	SPRING INNER	2	12	L98298	SLEEVE-MODULATION VALVE	2
05	L98295	SPRING MIDDLE	2	13	L98307	O-RING	2
06	L98304	SPRING OUTER	2	14	L98957	PIN-LOWER	2
07	L98303	SPOOL ACCUMULATOR	2	15	L98956	PIN-UPPER	2
08	L98302	RETAINER	2				

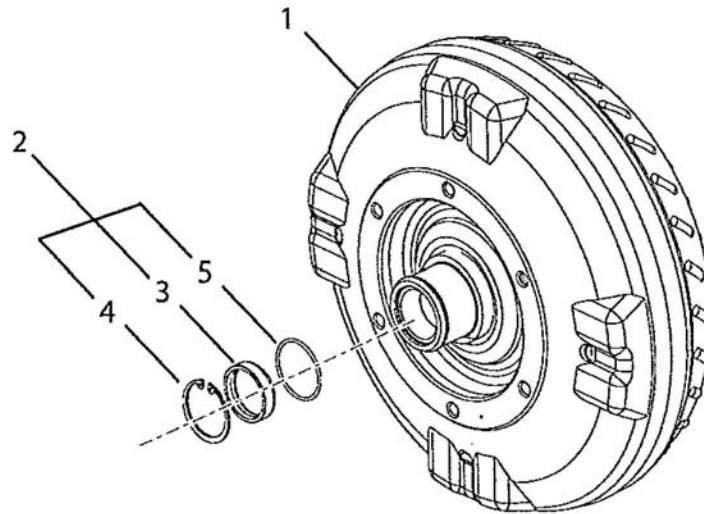
## Torque Converter Housing - (RS10 and RS12 Models)



The model/serial number plate is located on the front of transmission case—see page 76.

RS10 and RS12 Models Only

Ref. No.	Part No.	Description	Qty. Req.	Ref. No.	Part No.	Description	Qty. Req.
01		CONVERTER HOUSING	1	07	L99261	SCREW	1
	106163	Series Number: 863/54		08	L99260	SCREW	16
	50220019	Series Number: 863/57		09	L99029	LOCK WASHER	23
02		SPACER	1	10	L98938	GASKET	1
	106164	Series Number: 863/54		11	L99249	PLUG	1
	NA	Series Number: 863/57		12	106171	SLEEVE, OIL	1
03	L99283	PLUG	5	13	L98257	SCREW	2
	L99284	O-RING	5	14	L98194	SEAL	1
04	L99246	PLUG, REGULATOR PRESS SIDE	1	15	L98198	BALL BEARING	1
05	L99262	PLUG, CHECK VALVE	1	16	L98196	RING	1
06	L99285	SCREW	6	17	L98272	SLEEVE, OIL	1



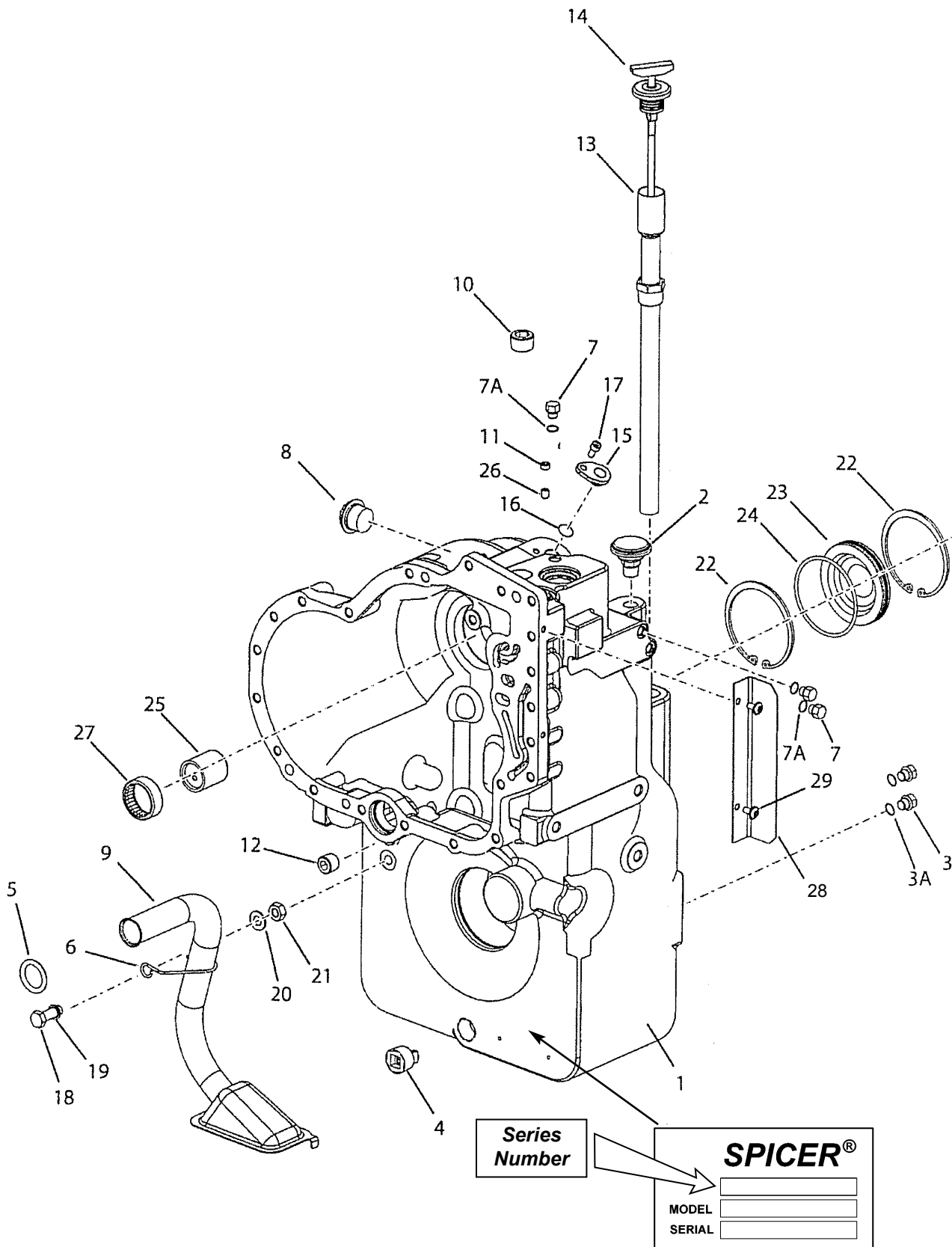
Ref. No.	Part No.	Description	Qty. Req.	Ref. No.	Part No.	Description	Qty. Req.
01	106190	TORQUE CONVERTER . . . . .	1	03	106192	PLUG . . . . .	1
02	50220012	KIT, TORQUE CONVERTER PLUG 1 (includes items 3, 4 and 5)		04	106194	SNAP RING . . . . .	1
				05	106193	O-RING . . . . .	1

RS10 and RS12 Models Only

# Transmission

## Case - (RS10 and RS12 Models)

# RS Series



RS10 and RS12 Models Only

Series  
Number

**SPICER®**

MODEL \_\_\_\_\_

SERIAL \_\_\_\_\_

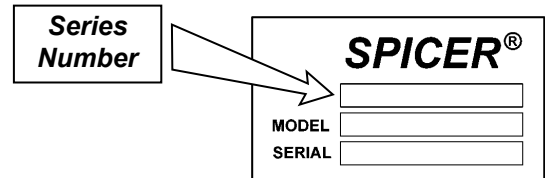
The model/serial number plate is located on the front of transmission case—see page 76.



# Telescopic Handler

# Transmission Case - (RS10 and RS12 Models)

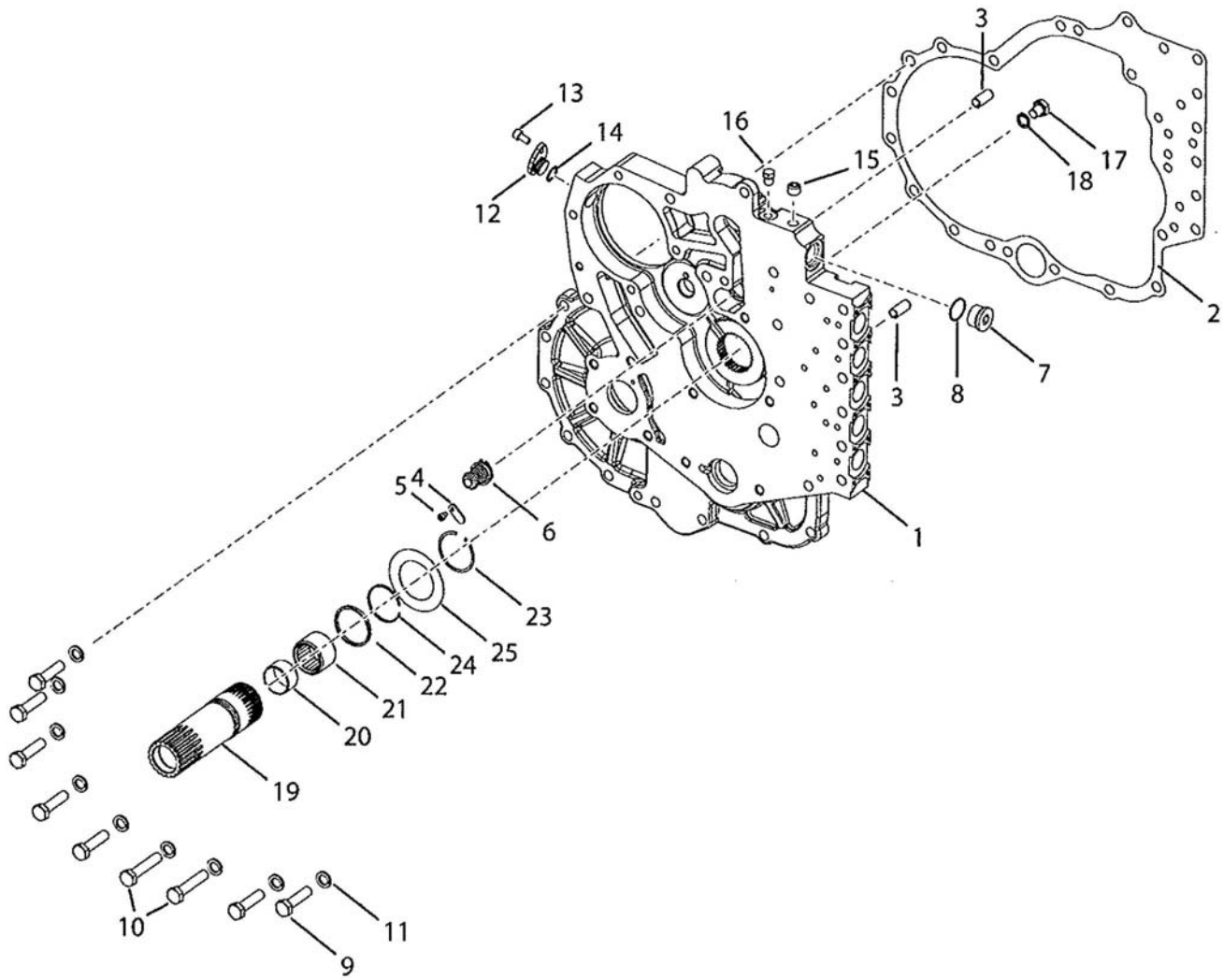
Ref. No.	Part No.	Description	Qty. Req.	Ref. No.	Part No.	Description	Qty. Req.
01		CASE-TRANSMISSION .....	1	14	L98735	DIPSTICK ASSEMBLY .....	1
	106172	Series Number: 863/54		15	106176	PLUG, SPEED SENSOR.....	1
	50220010	Series Number: 863/57		16	106177	O-RING, SPEED SENSOR .....	1
02	L94824	AIR BREATHER, VENT.....	1	17	L99288	SCREW .....	1
03	L99251	PLUG .....	2	18	L99285	BOLT .....	1
	L99013	O-RING .....	2	19	L99294	SEALING WASHER .....	1
04	L99253	PLUG, MAGNETIC .....	1	20	L99295	WASHER.....	1
05	L98185	RING, OIL SUPPLY TUBE.....	1	21	L99296	NUT .....	1
06	L98176	CLIP, OIL SUPPLY TUBE .....	1	22	106180	SNAP RING.....	2
07	L99283	PLUG .....	3	23	L99280	PLUG .....	1
	L99284	O-RING .....	3	24	L98268	O-RING .....	1
09	L98184	TUBE, SCREEN ASSEMBLY .....	1	25	L98251	SLEEVE.....	1
10	L99274	PLUG.....	1	26	L98252	SET SCREW .....	1
11		PLUG .....	1	27		BEARING.....	1
	L99770	Series Number: 863/54			L98249	Series Number: 863/54	
	L99246	Series Number: 863/57			50220011	Series Number: 863/57	
12	106175	PLUG.....	1	28	106181	PLATE .....	1
13	L98734	TUBE, DIPSTICK .....	1	29	106182	BOLT, SOCKET HEAD M6 .....	2



The model/serial number plate is located on the front of transmission case—see page 76.

RS10 and RS12 Models Only

## Spacer Plate - (RS10 and RS12 Models)



RS10 and RS12 Models Only

# Telescopic Handler

# Transmission

## Spacer Plate - (RS10 and RS12 Models)

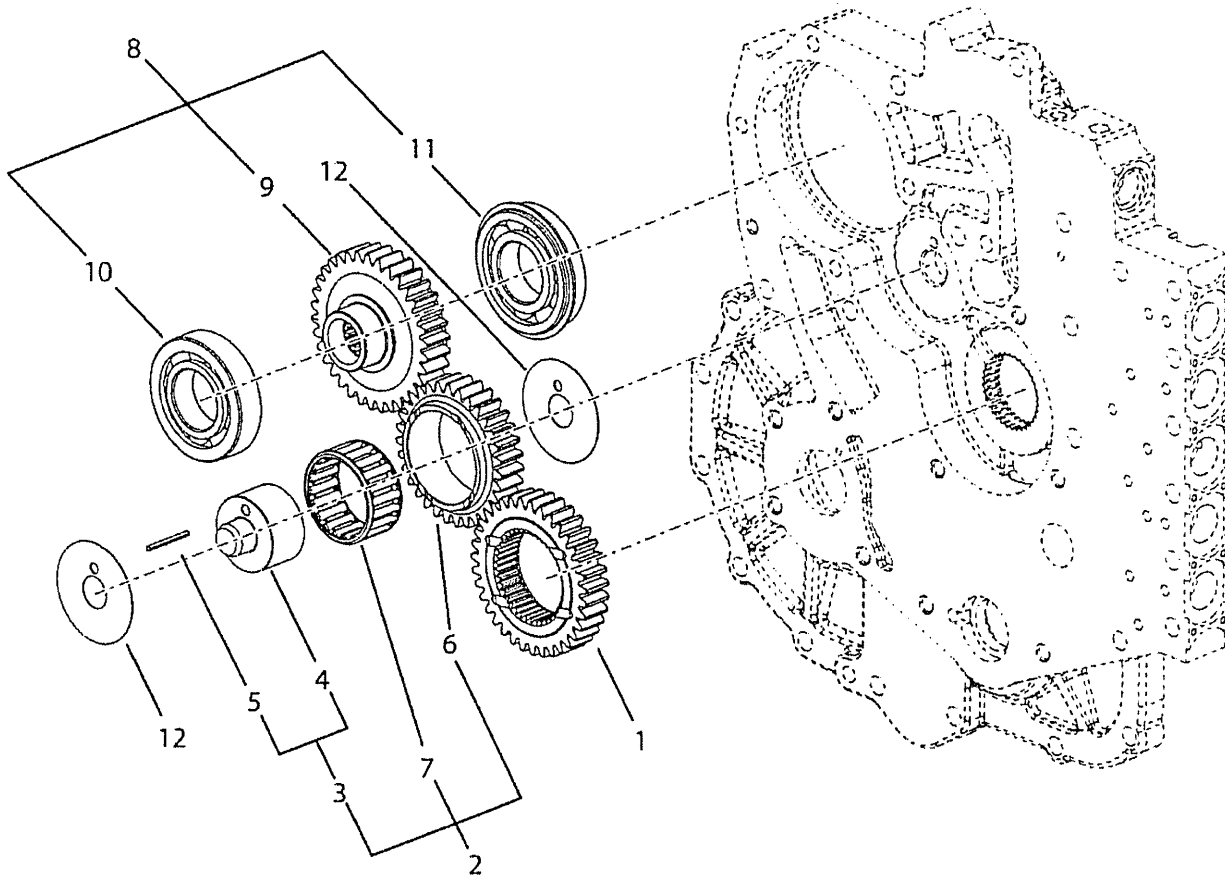
Ref. No.	Part No.	Description	Qty. Req.	Ref. No.	Part No.	Description	Qty. Req.
01	106183	PLATE, SPACER.....	1	14	106177	O-RING, SPEED SENSOR.....	1
02	L98926	GASKET.....	1	15	L99246	PIPE PLUG.....	1
03	L98927	PIN, ROLL.....	2	16	L99262	PLUG.....	1
04	106184	PLATE, LOCK.....	1	17	106189	BOLT.....	1
05	106185	BOLT.....	1	18	L99294	WASHER.....	1
06	106186	SAFETY VALVE ASSEMBLY.....	1	19	106190	STATOR SUPPORT ASSEMBLY ..	1
07	106187	PLUG <i>(includes item 8)</i> .....	1			<i>(includes items 3 and 4)</i>	
08	106188	O-RING.....	1	20	L98204	BUSHING.....	1
09	L99018	BOLT.....	7	21	L98197	BEARING, NEEDLE.....	1
10	L99045	BOLT.....	2	22	L98201	RING, PISTON.....	1
11	L99029	LOCK WASHER.....	9	23	L98200	SNAP RING.....	1
12	106176	PLUG, SPEED SENSOR.....	1	24	L98202	EXPANDER SPRING.....	1
13	L99288	BOLT.....	1	25	L98205	WASHER, THRUST.....	1

RS10 and RS12 Models Only

# Transmission

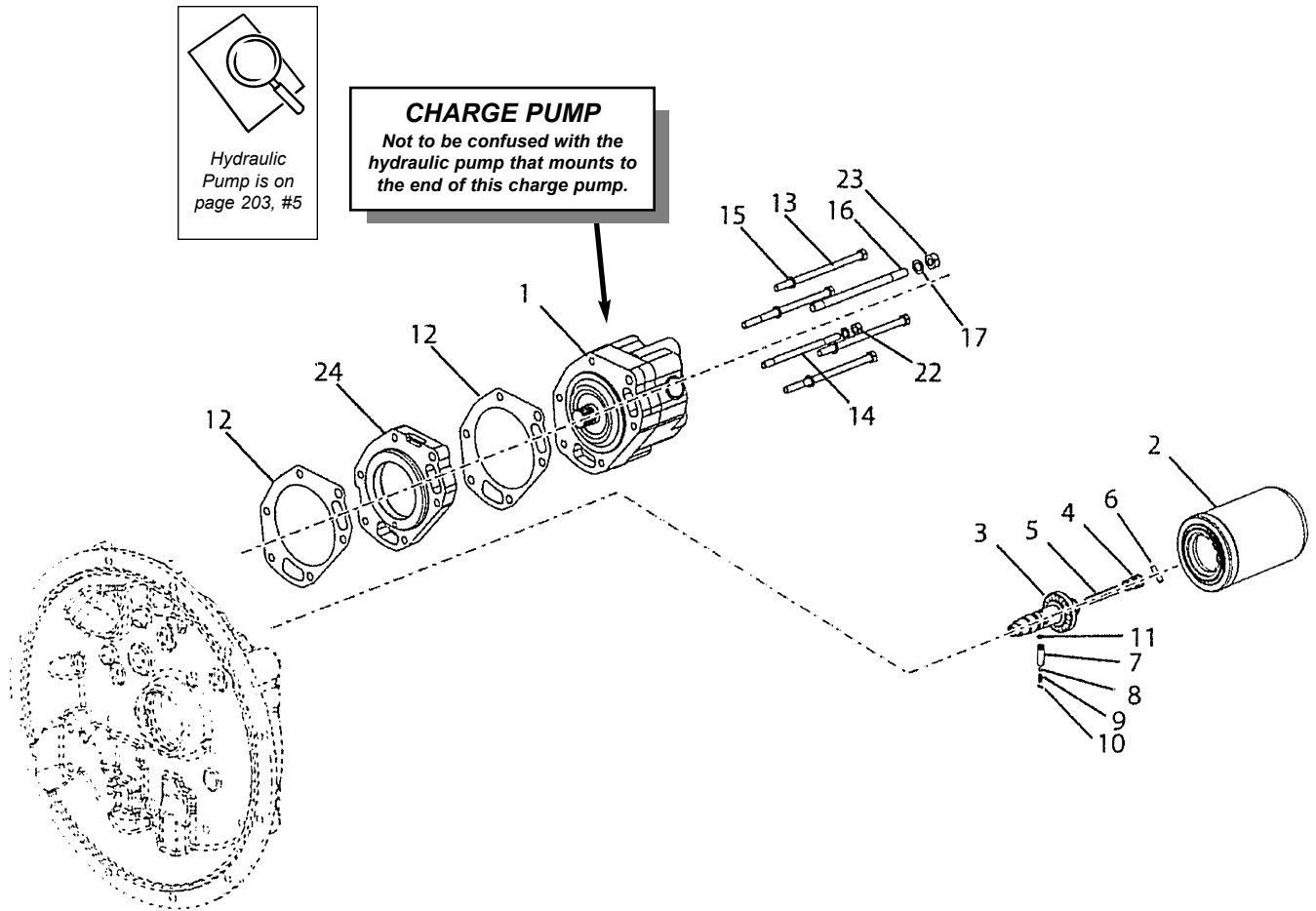
# RS Series

## Pump Drive - (RS10 and RS12 Models)



Ref. No.	Part No.	Description	Qty. Req.	Ref. No.	Part No.	Description	Qty. Req.
01	L98954	GEAR, IMPELLER . . . . .	1	07	L98943	BEARING , NEEDLE . . . . .	1
02	106196	PUMP DRIVE IDLER . . . . .	1	08	106201	PUMP DRIVE GEAR . . . . .	1
		<i>(includes items 3, 6 and 7)</i>				<i>(includes items 9, 10 and 11)</i>	
03	106197	PUMP DRIVE SHAFT . . . . .	1	09	106202	GEAR, PUMP DRIVE . . . . .	1
		<i>(includes items 4 and 5)</i>		10	106203	BEARING, BALL . . . . .	1
04	106198	SHAFT, PUMP DRIVE IDLER . . . . .	1	11	106213	BEARING, BALL . . . . .	1
05	106199	PIN, ROLL . . . . .	1	12	L98942	WASHER, THRUST . . . . .	2
06	106200	GEAR, PUMP DRIVE (31T) . . . . .	1				

RS10 and RS12 Models Only



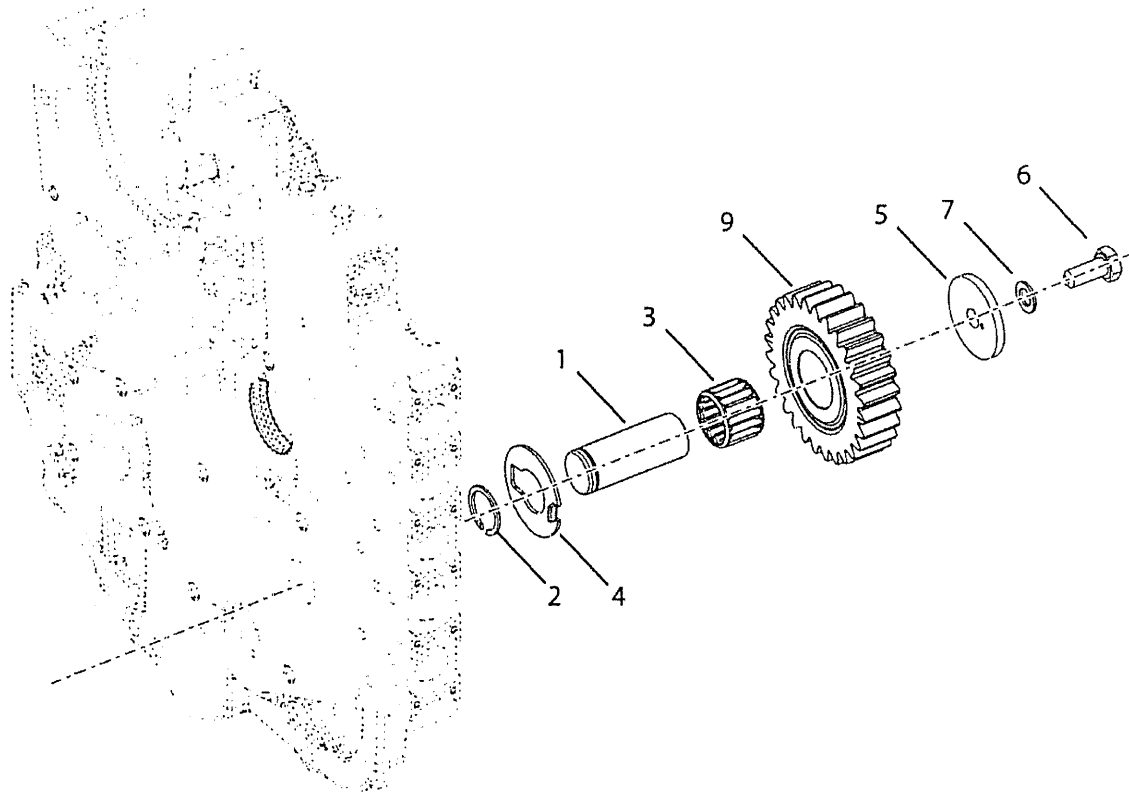
Ref. No.	Part No.	Description	Qty. Req.	Ref. No.	Part No.	Description	Qty. Req.
01 <sup>a</sup>	L98220	CHARGE PUMP	1	12	L98219	GASKET, CHARGE PUMP	1
02	L99184	TRANSMISSION FILTER	1	13	106209	BOLT	4
03	106206	REGULATOR VALVE	1	14	106210	STUD	1
		<i>(includes items 4-6)</i>		15	L99020	LOCK WASHER	5
04	106207	PISTON, REGULATOR VALVE	1	16	106212	STUD	1
05	L98951	SPRING	1	17	L99029	LOCK WASHER	1
06	L98224	NEEDLE, ROLLER	1	22	106216	NUT	1
07	L98949	BALL CHECK VALVE	1	23	L99296	NUT	1
		<i>(includes items 8-11)</i>		24	106217	ADAPTER, PUMP TO PLATE	1
08	L98215	BALL	1				
09	L98216	SPRING	1				
10	L98214	PIN, ROLL	1				
11	L98948	O-RING	1				

<sup>a</sup> **NOTE:** This is the charge pump for the transmission, not the hydraulic pump for the hydraulic system; refer to the Hydraulic section for information regarding the hydraulic pump.

# Transmission

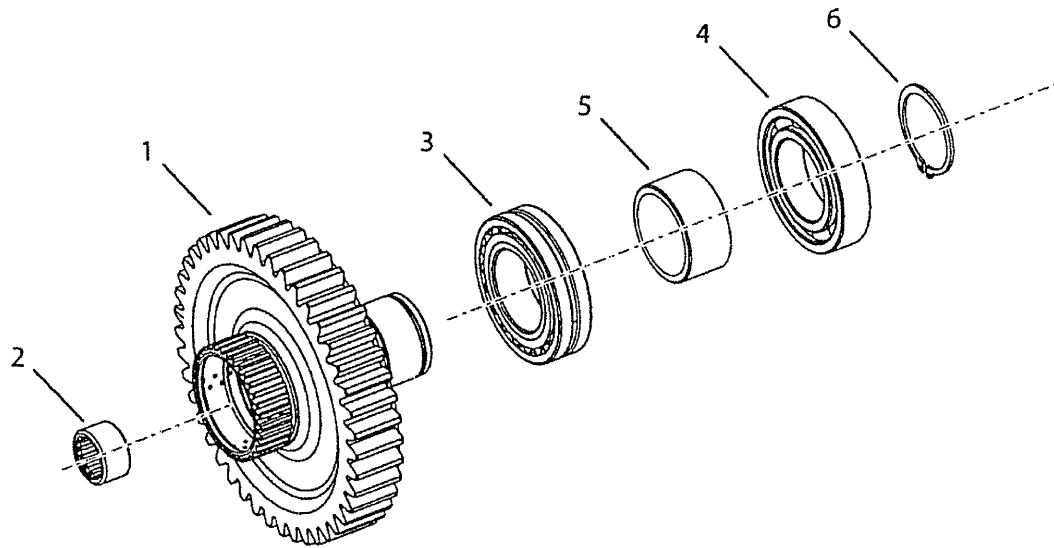
# RS Series

## Reverse Idler - (RS10 and RS12 Models)



RS10 and RS12 Models Only

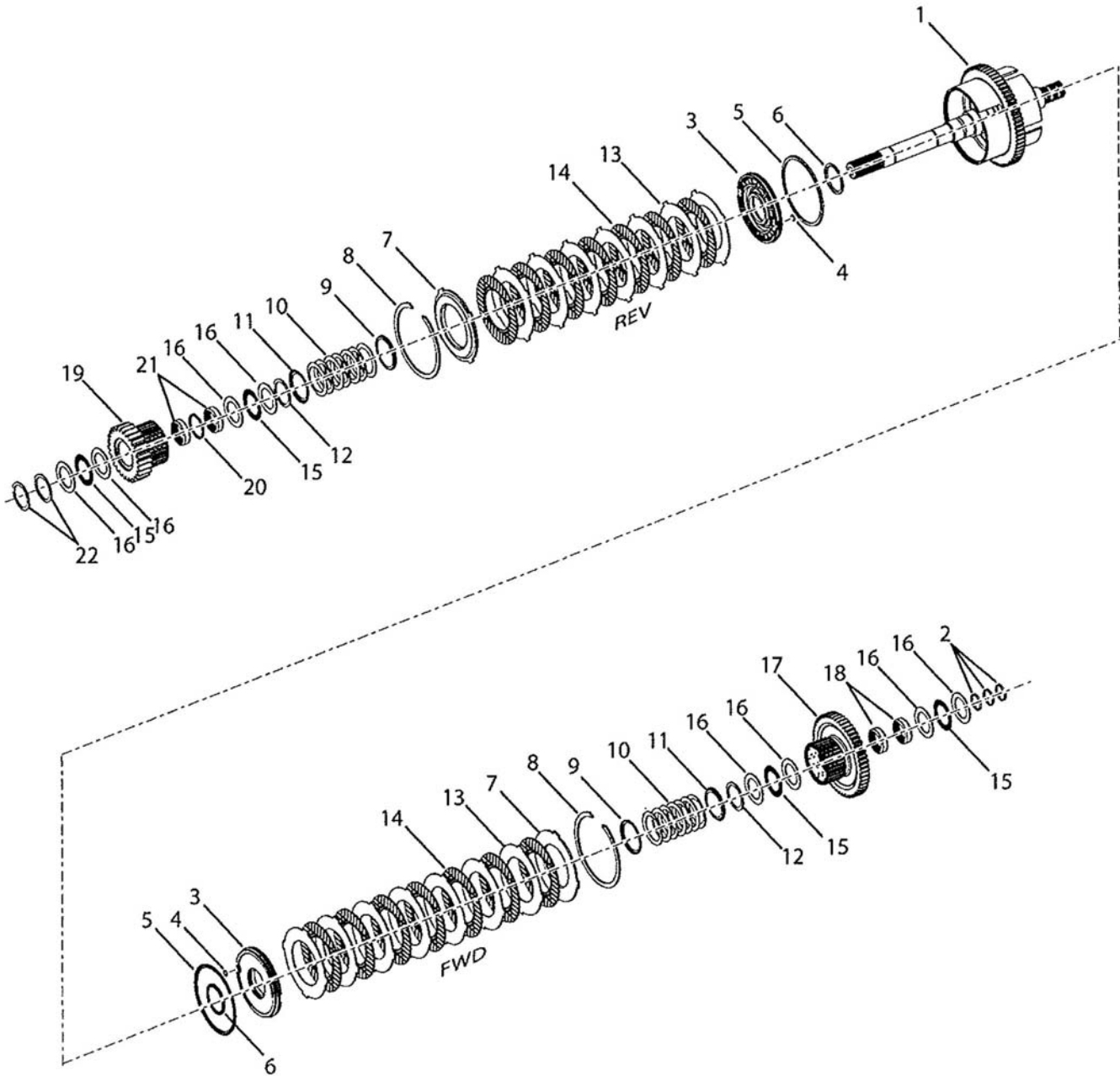
Ref. No.	Part No.	Description	Qty. Req.	Ref. No.	Part No.	Description	Qty. Req.
01	L98229	SHAFT IDLER & PILOT	1	06	L99031	CAPSCREW	1
02	L98228	RING/SNAP	1	07	L99032	WASHER	1
03	L98231	BEARING/REV IDLER GEAR	1	09	106220	GEAR, REVERSE IDLER (28T)	1
04	L98230	WASHER/THRUST	1				
05	L98232	END PLATE	1				



Ref. No.	Part No.	Description	Qty. Req.	Ref. No.	Part No.	Description	Qty. Req.
01	106237	GEAR, 3RD CLUTCH (43T) . . . . .	1	04	106239	BEARING. . . . .	1
02	L98263	BEARING, NEEDLE . . . . .	1	05	106240	SPACER, BEARING . . . . .	1
03	106238	SPHERICAL BEARING. . . . .	1	06	L98266	SNAP RING. . . . .	1

RS10 and RS12 Models Only

Forward and Reverse Shaft - (RS10 and RS12 Models)



RS10 and RS12 Models Only

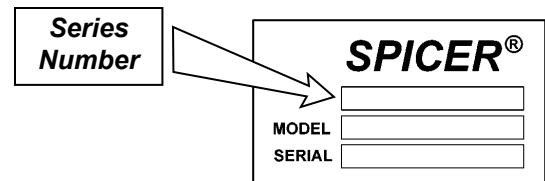


# Telescopic Handler

# Transmission

## Forward and Reverse Shaft - (RS10 and RS12 Models)

Ref. No.	Part No.	Description	Qty. Req.	Ref. No.	Part No.	Description	Qty. Req.
01	106221	TURBO SHFT DRUM & PLUG . . . . 1	1	14		DISC, INNER. . . . . 14	
	50220013	<i>Series Number: 863/54</i>				<i>(Seven discs in forward clutch and seven discs in reverse clutch)</i>	
		<i>Series Number: 863/57</i>					
02	L98250	RING, PISTON. . . . . 3	3		L98239	<i>Series Number: 863/54</i>	
03	L99278	CLUTCH PISTON . . . . . 2	2		50220014	<i>Series Number: 863/57</i>	
		<i>(includes items 4 -6)</i>		15	L98236	BEARING, THRUST . . . . . 4	4
04	NSS	SCREEN . . . . . 1	1	16	L98235	WASHER, THRUST . . . . . 8	8
05	L98246	SEAL . . . . . 1	1	17		CLUTCH FWD GEAR & BEARING. 1	1
06	L98247	SEAL . . . . . 1	1			<i>(includes item 18)</i>	
07	106223	PLATE, END . . . . . 2	2		106225	<i>Series Number: 863/54</i>	
08	L98237	INTERNAL SNAP RING . . . . . 2	2		50220015	<i>Series Number: 863/57</i>	
09	L98244	PLATE, CLUTCH PISTON WEAR. . 2	2	18	L98253	BEARING, NEEDLE . . . . . 2	2
10	L500416	DISC SPRING (7 springs) . . . . . 2	2	19	106226	REVERSE GEAR ASSY. . . . . 1	1
11	L98242	RETAINER, SNAP RING. . . . . 2	2			<i>(includes items 20 and 21)</i>	
12	L98241	SNAP RING, RETAINER. . . . . 2	2	20	106227	SPACER . . . . . 1	1
13	106224	DISC, OUTER . . . . . 14	14	21	L98253	BEARING, NEEDLE . . . . . 2	2
		<i>(Seven discs in forward clutch and seven discs in reverse clutch)</i>		22	106195	SNAP RING. . . . . 2	2



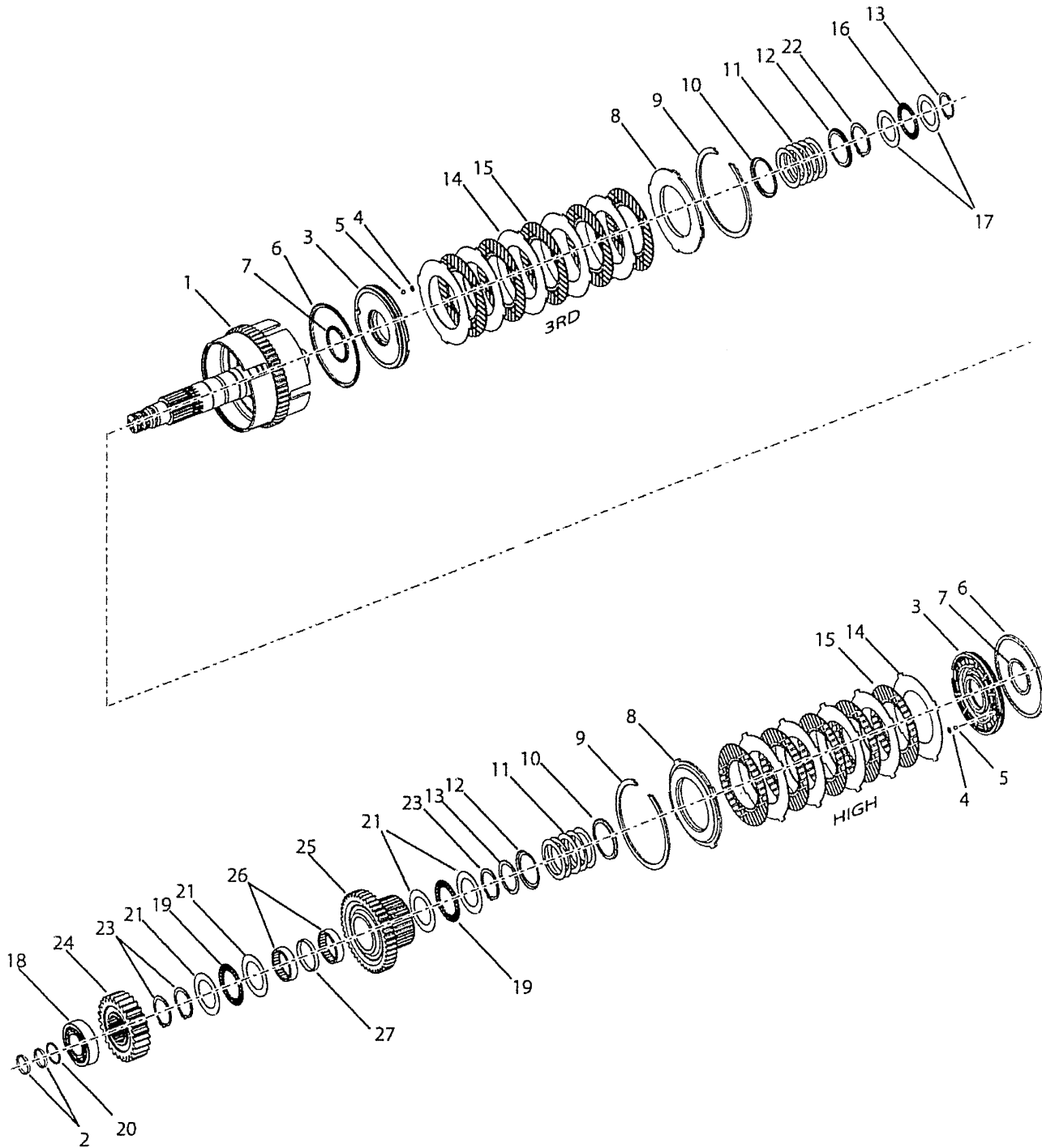
The model/serial number plate is located on the front of transmission case—see page 76.

RS10 and RS12 Models Only

# Transmission

# RS Series

## High and Third Gear Shaft - (RS10 and RS12 Models)



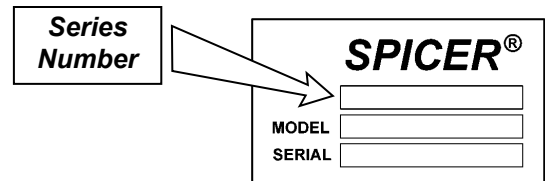
RS10 and RS12 Models Only

# Telescopic Handler

# Transmission

## High and Third Gear Shaft - (RS10 and RS12 Models)

Ref. No.	Part No.	Description	Qty. Req.	Ref. No.	Part No.	Description	Qty. Req.
01	106228	HIGH AND THIRD SHAFT . . . . .	1	15		DISC, INNER. . . . .	10
02	L98250	RING, PISTON. . . . .	2			(Five inner discs in high and five inner discs in third)	
03	L99279	CLUTCH PISTON . . . . .	2			Series Number: 863/54	
		(includes items 4-7)			L98239	Series Number: 863/57	
04	NSS	SEAT, BALL . . . . .	1	16	50220014	BEARING, THRUST . . . . .	1
05	NSS	BALL . . . . .	1	17	L98236	WASHER, THRUST . . . . .	2
06	L98246	SEAL . . . . .	1	18	L98235	BEARING, ROLLER . . . . .	1
07	L98247	SEAL . . . . .	1	19	106230	BEARING, THRUST . . . . .	2
08	106223	PLATE, END . . . . .	2	20	L500413	RING, PISTON. . . . .	1
09	L98237	INTERNAL SNAP RING . . . . .	2	21	106231	WASHER, CLUTCH GEAR. . . . .	4
10	L98244	PLATE, CLUTCH PISTON . . . . .	2	22	L500414	SNAP RING. . . . .	1
11	L98961	DISC SPRING . . . . .	2	23	106232	SNAP RING, EXTERNAL . . . . .	3
		(includes 5 disc-springs)		24	L99696	GEAR, FIRST DRIVE (27T) . . . . .	1
12	L98242	RETAINER, SNAP RING. . . . .	2	25	106233	HIGH GEAR . . . . .	1
13	L98241	SNAP RING, RETAINER. . . . .	2			(includes items 26 and 27)	
14	106224	DISC, OUTER . . . . .	10	26	106235	BEARING, NEEDLE . . . . .	2
		(Five outer discs in high and five outer discs in third)		27	106236	SPACER . . . . .	1



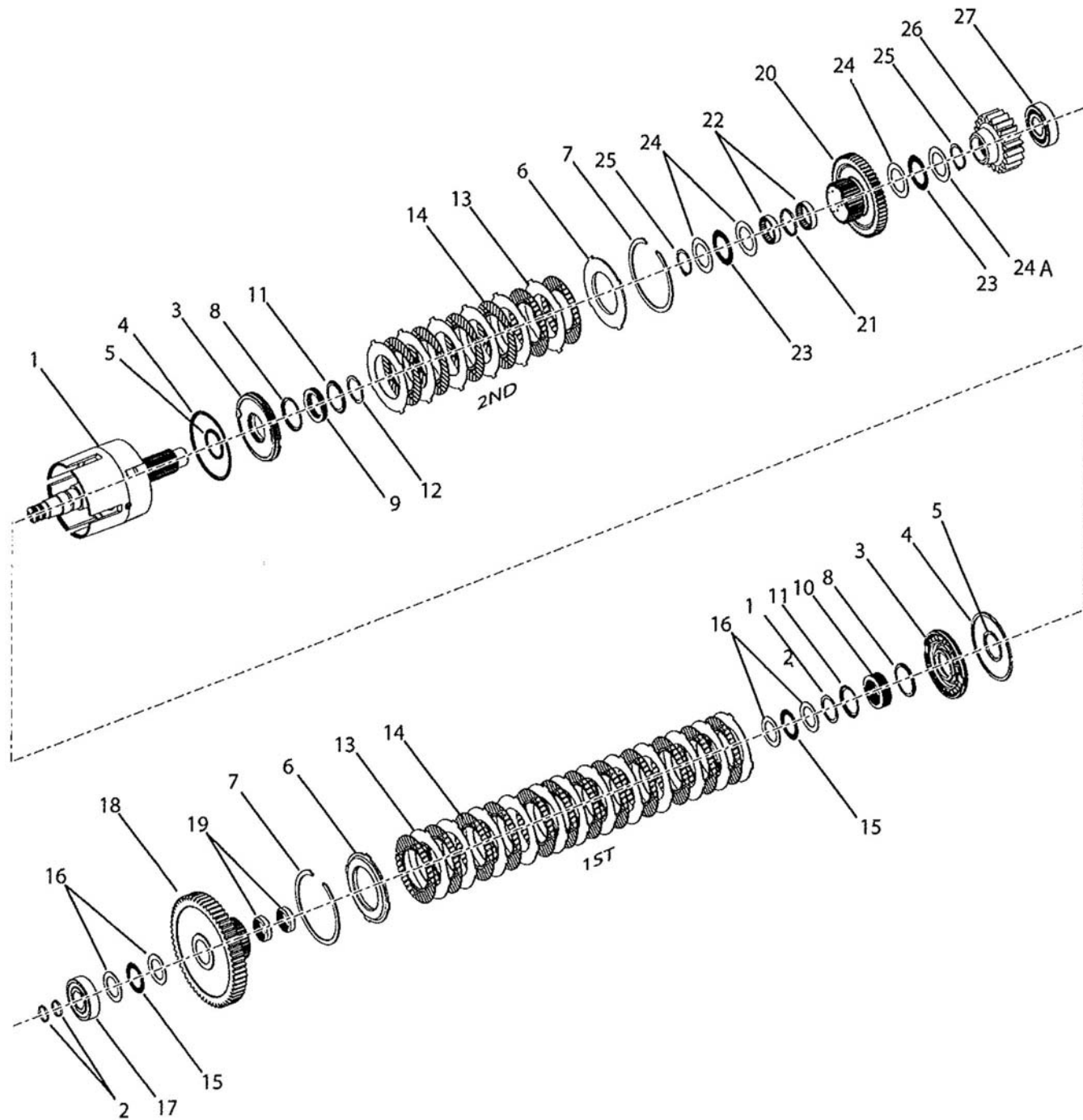
The model/serial number plate is located on the front of transmission case—see page 76.

RS10 and RS12 Models Only

# Transmission

# RS Series

## First and Second Gear - (RS10 and RS12 Models)



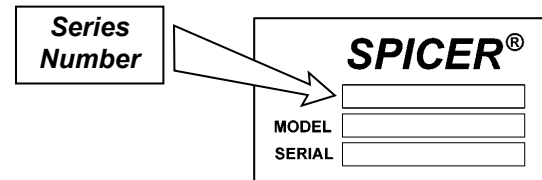
RS10 and RS12 Models Only

# Telescopic Handler

# Transmission

## First and Second Gear - (RS10 and RS12 Models)

Ref. No.	Part No.	Description	Qty. Req.	Ref. No.	Part No.	Description	Qty. Req.
01	106242	1ST-2ND SHAFT . . . . .	1	17	L500273	BEARING AND SEAL . . . . .	1
	50220016	<i>Series Number: 863/54</i>		18	106244	1ST CLUTCH GEAR . . . . .	1
		<i>Series Number: 863/57</i>				<i>(includes item 18)</i>	
02	L98250	RING, PISTON . . . . .	2	19	L98253	BEARING , NEEDLE . . . . .	1
03	L99038	CLUTCH PISTON . . . . .	2	20	106245	2ND CLUTCH GEAR. . . . .	1
04	L98246	SEAL, CLUTCH PISTON OUTER. .	1			<i>(includes items 21 and 22)</i>	
05	L98247	SEAL, CLUTCH PISTON INNER . .	1	21	106246	SPACER . . . . .	1
06	106223	PLATE, END . . . . .	2	22	106235	BEARING, NEEDLE . . . . .	2
07	L98237	INTERNAL SNAP RING . . . . .	2	23	L500413	BEARING, THRUST . . . . .	2
08	L98244	PLATE, CLUTCH PISTON . . . . .	2	24	L500414	WASHER, CLUTCH GEAR	
09	L98961	DISC SPRING . . . . .	1			<i>Series Number: 863/54 . . . . .</i>	<i>4</i>
10	106243	DISC SPRING . . . . .	1			<i>Series Number: 863/57 . . . . .</i>	<i>3</i>
11	L98242	RETAINER, SNAP RING. . . . .	1	24A	50220017	WASHER, CLUTCH GEAR	
12	L98241	SNAP RING, RETAINER. . . . .	1			<i>Series Number: 863/57 . . . . .</i>	<i>1</i>
13	106224	DISC, OUTER . . . . .	18	25	L99696	SNAP RING EXTERNAL. . . . .	2
14		DISC, INNER. . . . .	18	26		GEAR, 3RD DRIVEN (21T). . . . .	1
	L98239	<i>Series Number: 863/54</i>			106247	<i>Series Number: 863/54</i>	
	50220014	<i>Series Number: 863/57</i>			50220018	<i>Series Number: 863/57</i>	
15	L98236	BEARING, THRUST . . . . .	2	27	L98275	BEARING, ROLLER . . . . .	1
16	L98235	WASHER, THRUST . . . . .	2				



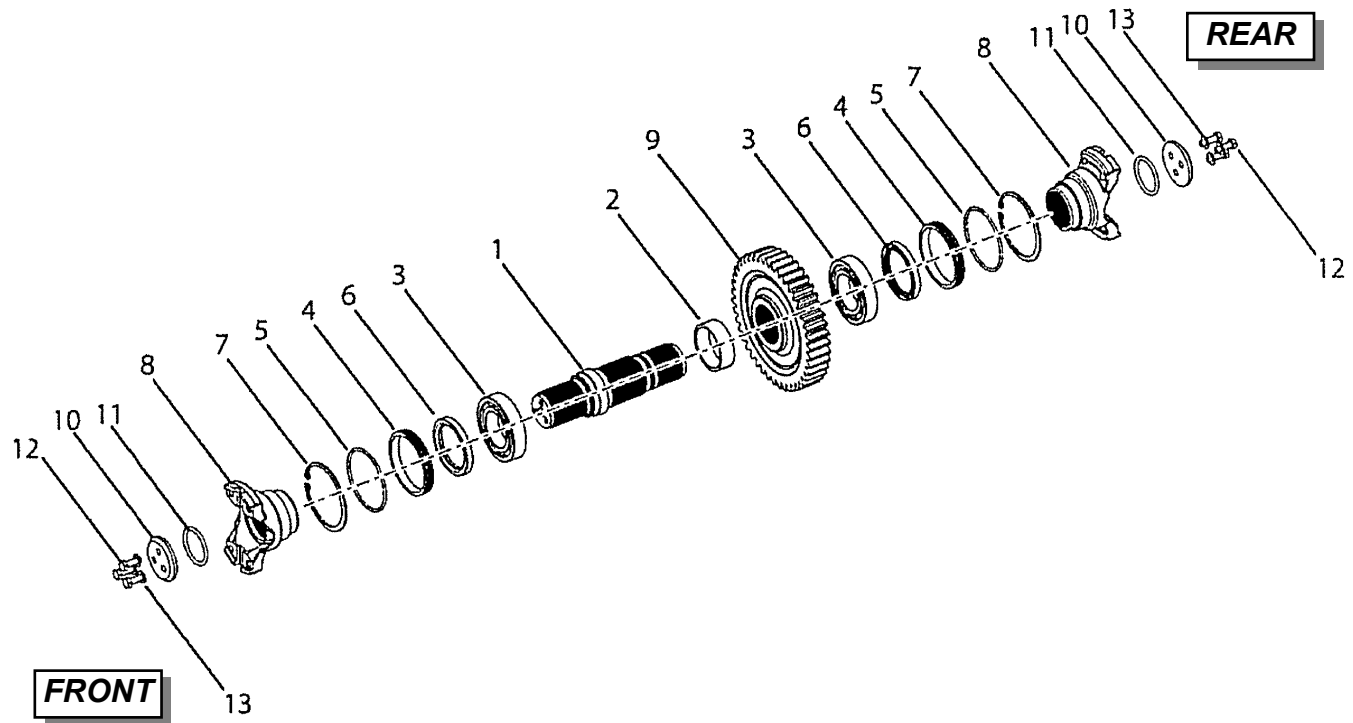
The model/serial number plate is located on the front of transmission case—see page 76.

RS10 and RS12 Models Only

# Transmission

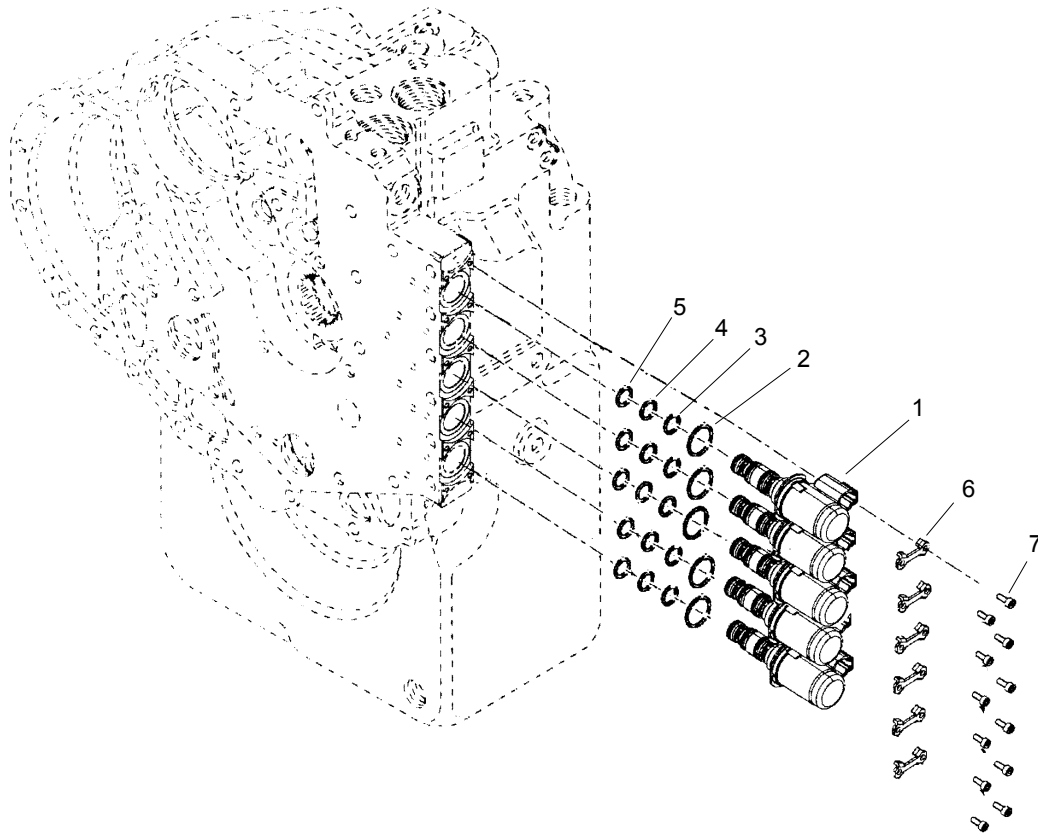
# RS Series

## Output Shaft - (RS10 and RS12 Models)



RS10 and RS12 Models Only

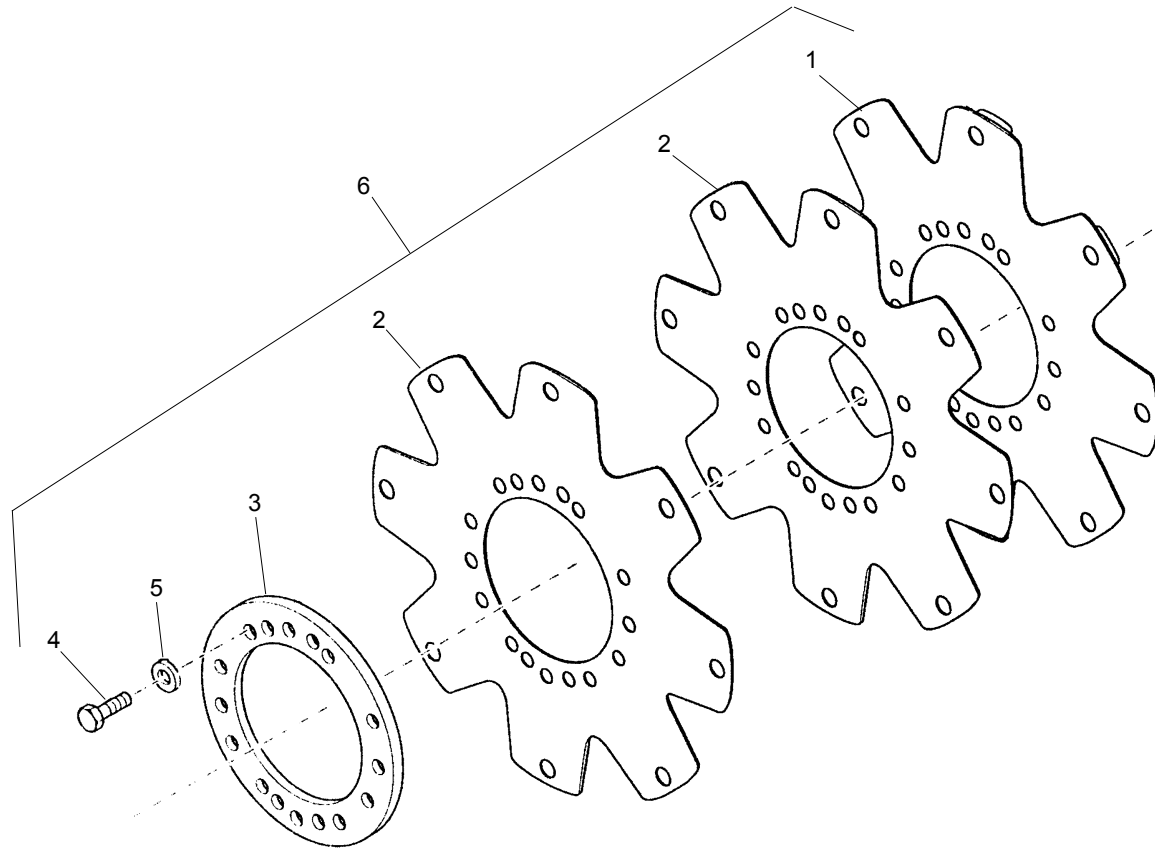
Ref. No.	Part No.	Description	Qty. Req.	Ref. No.	Part No.	Description	Qty. Req.
01	106248	SHAFT, OUTPUT .....	1	08	106250	FLANGE, OUTPUT SHAFT. ....	2
02	106249	SPACER, GEAR TO SHAFT .....	1	09	106251	GEAR, OUTPUT SHAFT (43T)....	1
03	106239	BEARING .....	2	10	106252	PLATE, OUTPUT FLANGE .....	2
04	L98281	SLEEVE, OIL SEAL .....	2	11	106253	O-RING OUTPUT SHAFT .....	2
05	L98268	O-RING .....	2	12	106254	BOLT .....	6
06	L96053	SEAL, OIL .....	2	13	106255	WASHER .....	6
07	106180	SNAP RING .....	2				



Ref. No.	Part No.	Description	Qty. Req.	Ref. No.	Part No.	Description	Qty. Req.
01	102950	SOLENOID, W / DEUTSCH CON. . . . . 5 <i>(includes items 2 thru 5)</i>		04	102953	O-RING, 14.1 X 1.60MM . . . . . 5 <i>(included with item 1)</i>	
02	102951	O-RING, 21.5 X 1.5MM . . . . . 5 <i>(included with item 1)</i>		05	102954	O-RING, 12.1 X 1.60MM . . . . . 5 <i>(included with item 1)</i>	
03	102952	O-RING, 15.1 X 1.60MM . . . . . 5 <i>(included with item 1)</i>		06	102957	CLAMP, SOLENOID . . . . . 6	
				07	106256	BOLT, FLANGED . . . . . 12	

RS10 and RS12 Models Only

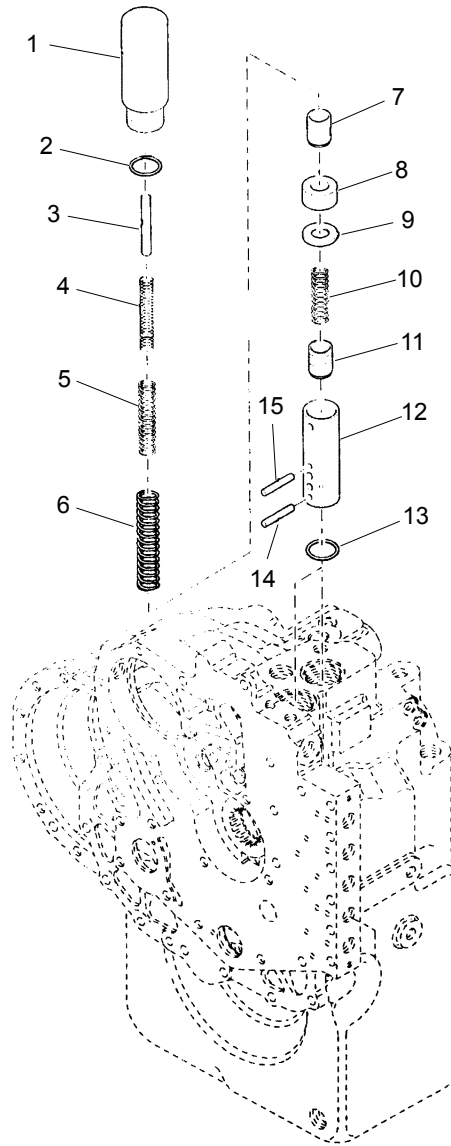
## Drive Plate - (RS10 and RS12 Models)



RS10 and RS12 Models Only

Ref. No.	Part No.	Description	Qty. Req.	Ref. No.	Part No.	Description	Qty. Req.
01	NSS	DRIVE PLATE ASSEMBLY . . . . . 1 <i>(included in item 6)</i>	1	04	L99785	SCREW, DRIVE PLATE MNTG. . . . 6	6
02	NSS	DRIVE PLATE . . . . . 2 <i>(included in item 6)</i>	2	05	L99030	LOCKWASHER/DRIVEPLATE . . . . 6	6
03	L98316	RING, DRIVE PLATE BACKING . . . 1	1	06	L98317	KIT, DRIVE PLATE ASSEMBLY . . . 1 <i>(includes items 1 thru 5)</i>	1





Ref. No.	Part No.	Description	Qty. Req.	Ref. No.	Part No.	Description	Qty. Req.
01	L98291	HOUSING MODULATOR VALVE	2	09	L98301	SPACER	2
02	L98292	O-RING	2	10	L98300	SPRING	2
03	L98293	PIN STOP	2	11	L98958	SPOOL	2
04	L98294	SPRING INNER	2	12	L98298	SLEEVE-MODULATION VALVE	2
05	L98295	SPRING MIDDLE	2	13	L98297	O-RING, SLEEVE	2
06	L98304	SPRING OUTER	2	14	L98957	PIN-LOWER	2
07	L98303	SPOOL ACCUMULATOR	2	15	L98956	PIN-UPPER	2
08	L98302	RETAINER	2				

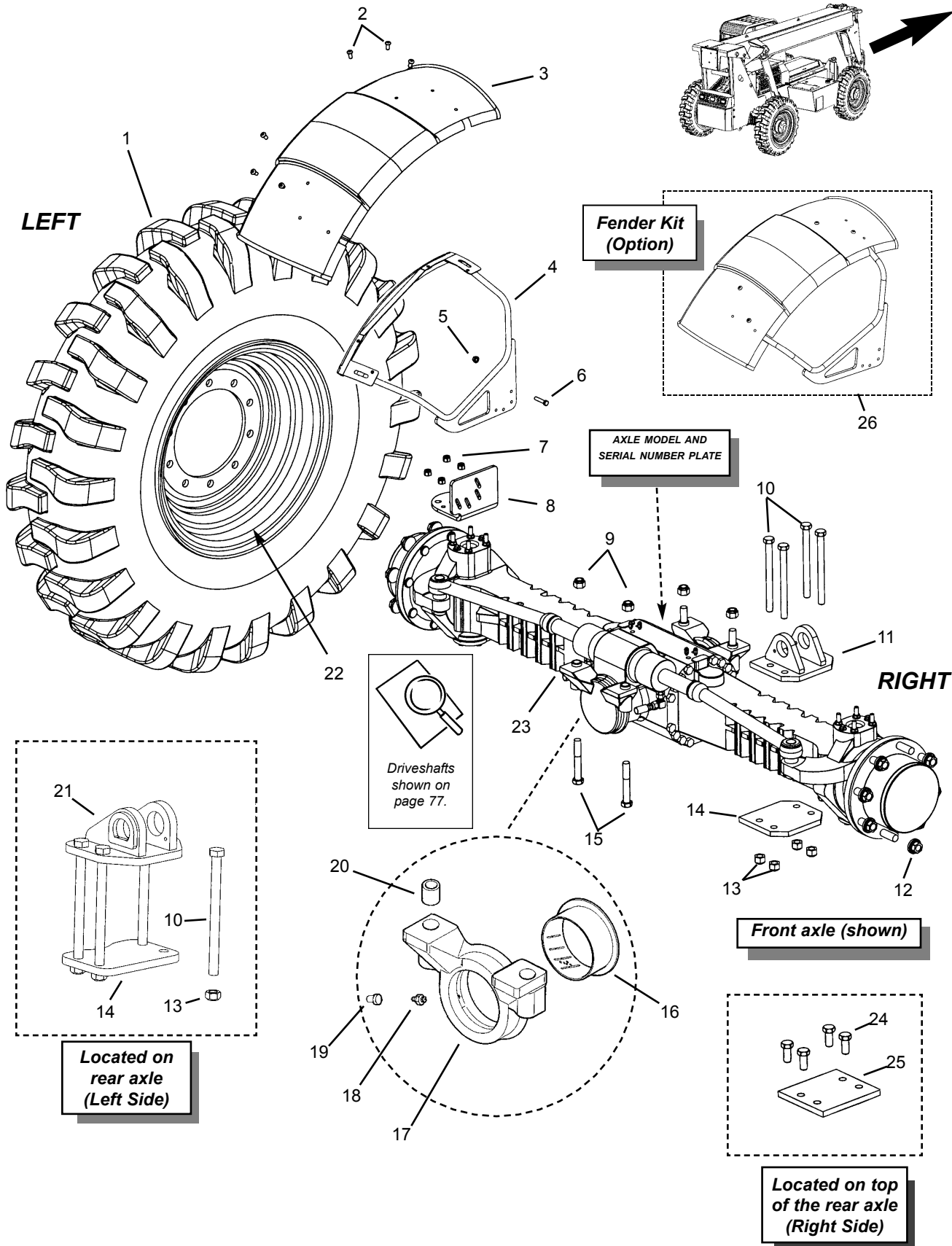
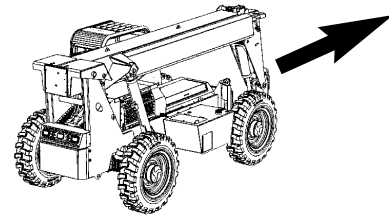
RS10 and RS12 Models Only

# Axles

# RS6-42/RS8-42/RS8-44

## Mounts, Tires, and Fenders - (RS6 and RS8 Models Only)

RS6 and RS8 Models Only



# Telescopic Handler

# Axles

## Mounts, Tires, and Fenders - (RS6 and RS8 Models Only)

Ref. No.	Part No.	Description	Qty. Req.	Ref. No.	Part No.	Description	Qty. Req.
01		TIRE.....	4	20	L500542	REDUCTION BUSING .....	4
	L47270	13.00X24		21	210168	STABILIZER MOUNT ( <i>rear axle</i> )...	1
	L71758	13.00X24 ( <i>Rock</i> )		22	L69114	WHEEL RIM 24X9.00 .....	4
01 <sup>a</sup>	210133	13X24 SOLID TIRE/WHEEL SET ..	4	23 <sup>b</sup>		AXLE ASSEMBLY, 212 HY .....	
02	L50253	3/8"-16 BUTTON HD BOLT .....	6		102122	FRONT ( <i>with internal park brake</i> ) ..	1
03	L99951	FENDER .....	1		102123	REAR. ....	1
04	105202	FENDER MOUNT (LF/RR) .....	1	24	656035	M16-20x20 8.8 BOLT .....	4
05	090666	3/8"-16 FLANGE LOCK NUT .....	4	25	210167	SPACER, AXLE STOP .....	1
06	L50836	3/8"-16X1-3/4" BOLT .....	4	26 <sup>c</sup>	820530	FENDER KIT ( <i>option</i> ) .....	1
07	102587	NUT .....	4				
08	102569	MOUNT (LF/RR) ( <i>LF is standard</i> ) ..	1				
	102570	MOUNT (LR/RF - <i>optional</i> ) .....	AR				
09	L50201	M20-2.5 CLASS 10 LOCK NUT ..	4				
10	L50712	3/4"-10X9" GR8 BOLT .....	8				
11	210558	FRAME LEVEL MNT ( <i>front axle</i> ) ..	1				
12	L69734	M22-1.5 WHEEL NUT .....	AR				
13	L50084	3/4"-10 GR8 LOCK NUT .....	8				
14	210572	PLATE, MOUNT .....	2				
15	651543	M20-2.50X130 C10.9 BOLT .....	4				
16	L500543	THRUST BUSHING .....	2				
17	L500544	SUPPORT .....	2				
18	L98355	GREASE FITTING. ....	2				
19	L500496	PLUG .....	2				

**-- ITEMS NOT SHOWN --**

-- L63222 VALVE STEM .....

*a When ordering, specify right or left side.*

*b Axle only; does not include any of the other items shown in the illustration.*

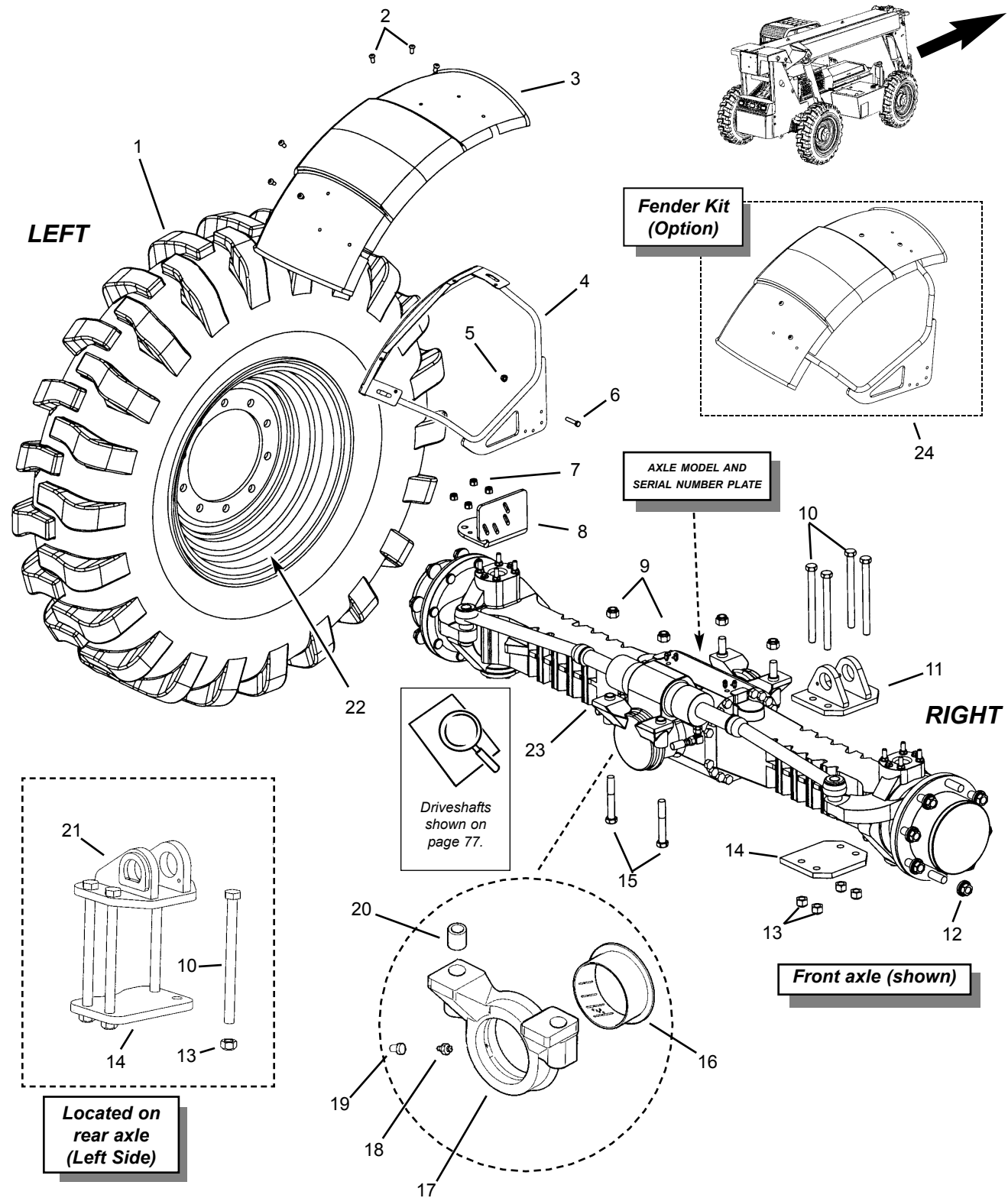
*c Includes three fender assemblies, mounts, and hardware to install two fenders on the rear axle and one fender on the front axle; the machines comes factory equipped with a fender on the left-side front axle. Must be ordered through the Whole Goods Department.*

RS6 and RS8 Models Only

# Axles

# RS10-44 / RS10-55 / RS12-42

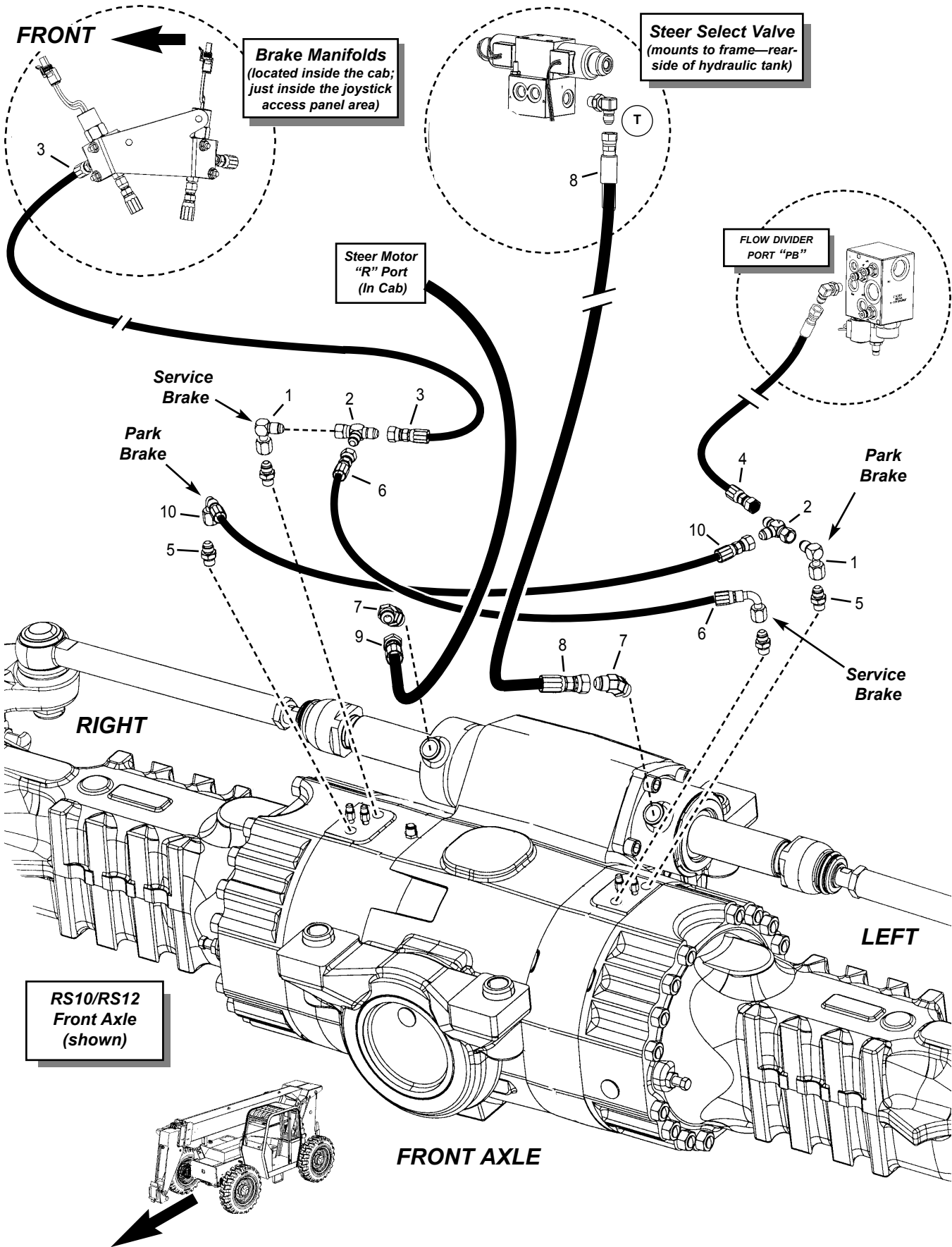
## Mounts, Tires, and Fenders - (RS10 and RS12 Models Only)



RS10 and RS12 Models Only



**Front Axle - Brake and Steering Circuit**



# Telescopic Handler

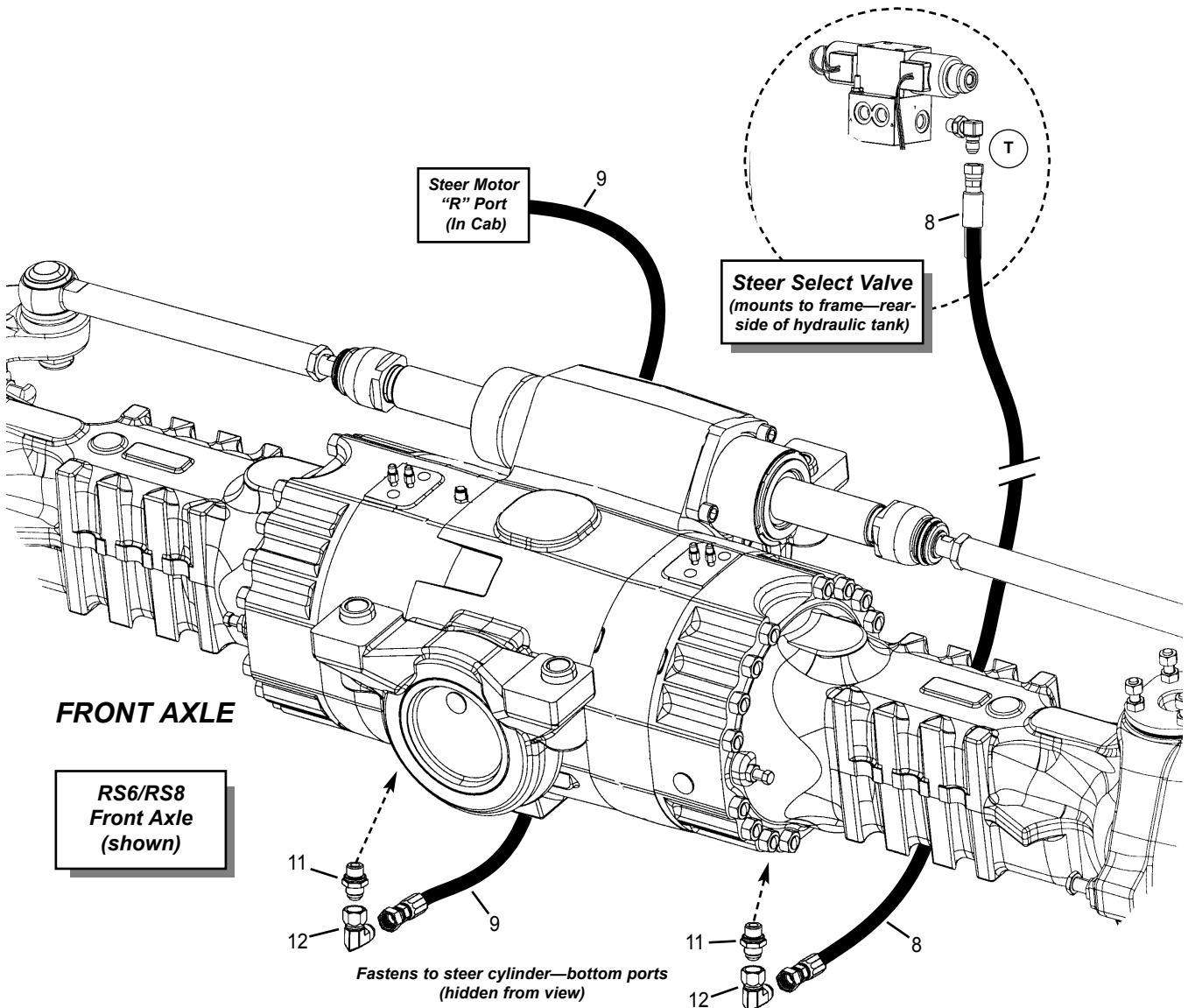
# Axles

## Front Axle - Brake and Steering Circuit

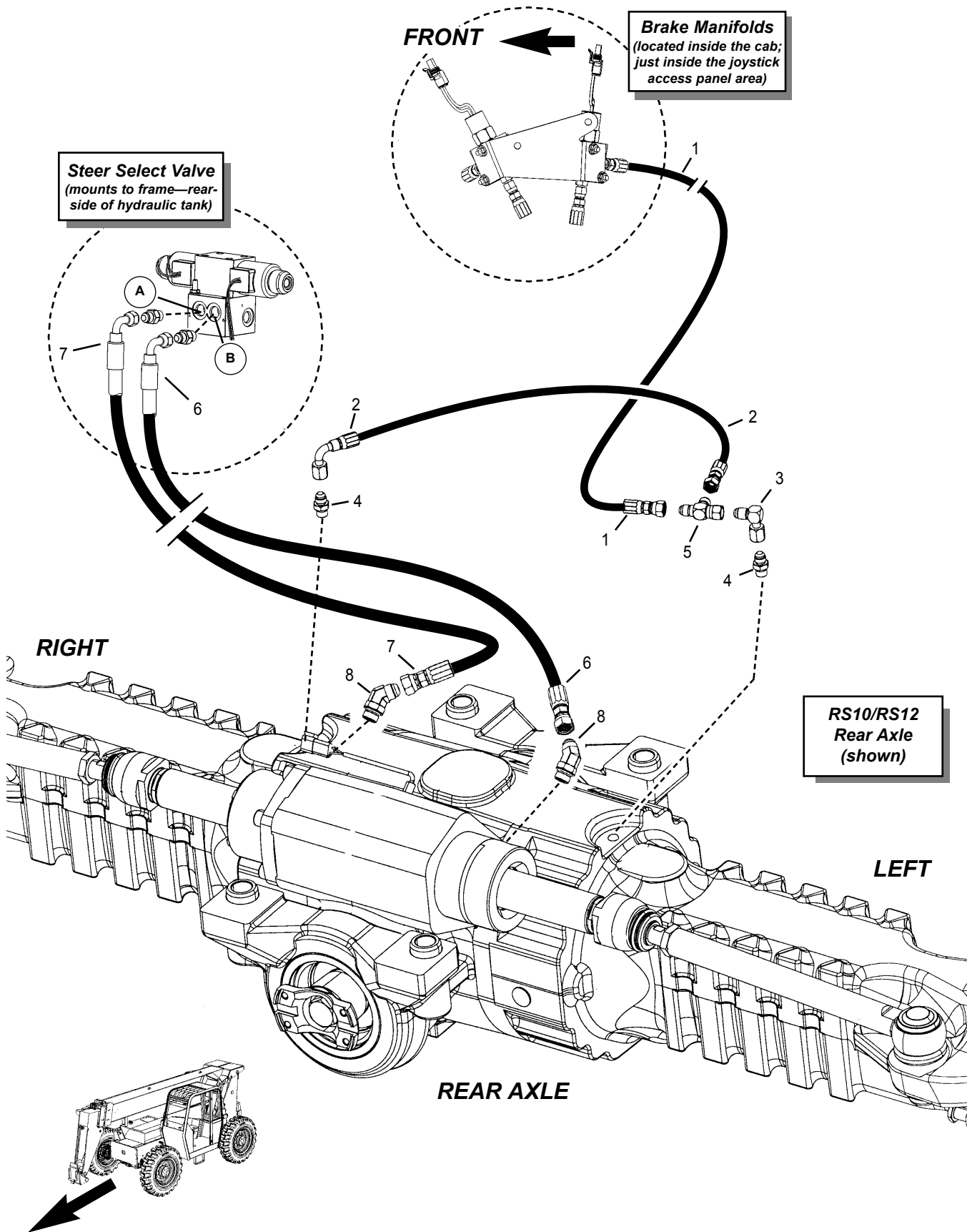
Ref. No.	Part No.	Description	Qty. Req.	Ref. No.	Part No.	Description	Qty. Req.
01	091039	ADAP., -6JICFS -6JICM 90°	2	10	L69903	HOSE, -4 A6/DS6 17"	1
02	072806	ADAP., -6 SWIVEL RUN TEE	2	11 <sup>x</sup>	100011	ADAP., M18ORM 8JICM STR	2
03 <sup>a</sup>	102842	HOSE, -4 A4/A6 66"	1	12 <sup>x</sup>	088442	ADAP., 08JICFS 08JICM90°	2
04	102839	HOSE, -6 A6/A6 57"	1				
05	L66139	ADAP., M14X1.5 -6-JICM	4	a		Hose attaches to the front brake manifold, located in the cab, just inside of the joystick access panel.	
06	L69903	HOSE, -4 A6/DS6 17"	1	x		Only RS6-42 and RS8-42/44	
07 <sup>y</sup>	076880	ADAP., -8ORM -8JICM 45°	2	y		Only RS10-44/55 and RS12-42	
08		HOSE, -6 A6/A8	1				
	102848	(Note x)—48" long					
	L69933	(Note y)—56" long					
09		HOSE, -6 A8/DS8	1				
	102847	(Note x)—82" long					
	210460	(Note y)—98" long					



**NOTE:** The brake manifold and brake hoses—shown on facing page—are used on all models; however, the steering hoses and steering hose fittings are different between the various models.



**Rear Axle - Brake and Steering Circuit**





## Rear Axle - Brake and Steering Circuit

Ref. No.	Part No.	Description	Qty. Req.	Ref. No.	Part No.	Description	Qty. Req.
01 <sup>a</sup>	102840	HOSE, -4 A4/A6 90" . . . . .	1	07	L69936	HOSE, -6 A6/A8 100" . . . . .	1
02	L69904	HOSE, -4 A6/DS6 20" . . . . .	1	08 <sup>y</sup>	076880	ADAP., -8ORM -8JICM 45° . . . . .	2
03	091039	ADAP., -6JICFS -6JICM 90° . . . . .	1	09 <sup>x</sup>	100011	ADAP., M18ORM 8JICM STR. . . . .	2
04	L66139	ADAP., M14X1.5 -6-JICM . . . . .	2	10 <sup>x</sup>	088442	ADAP., 08JICFS 08JICM90° . . . . .	2
05	072806	ADAP., -6 SWIVEL RUN TEE . . . . .	1				
06	L69936	HOSE, -6 A6/A8 100" . . . . .	1				

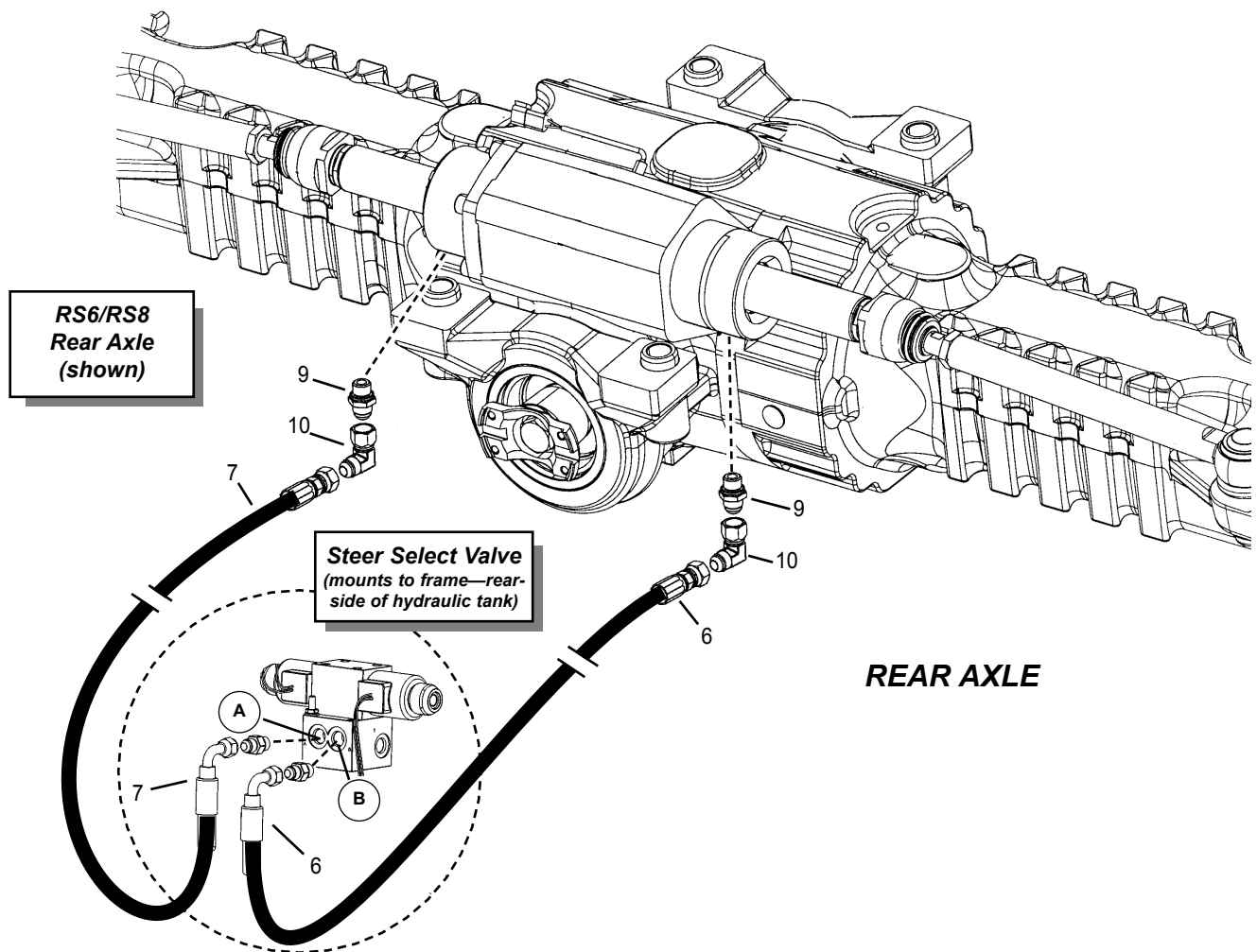
*a* Hose attaches to the front brake manifold, located in the cab, just inside of the joystick access panel.

*x* Only RS6-42 and RS8-42/44

*y* Only RS10-44/55 and RS12-42



**NOTE:** The brake manifold and brake hoses—shown on facing page—are used on all models; however, the steering hoses and steering hose fittings are different between the various models.

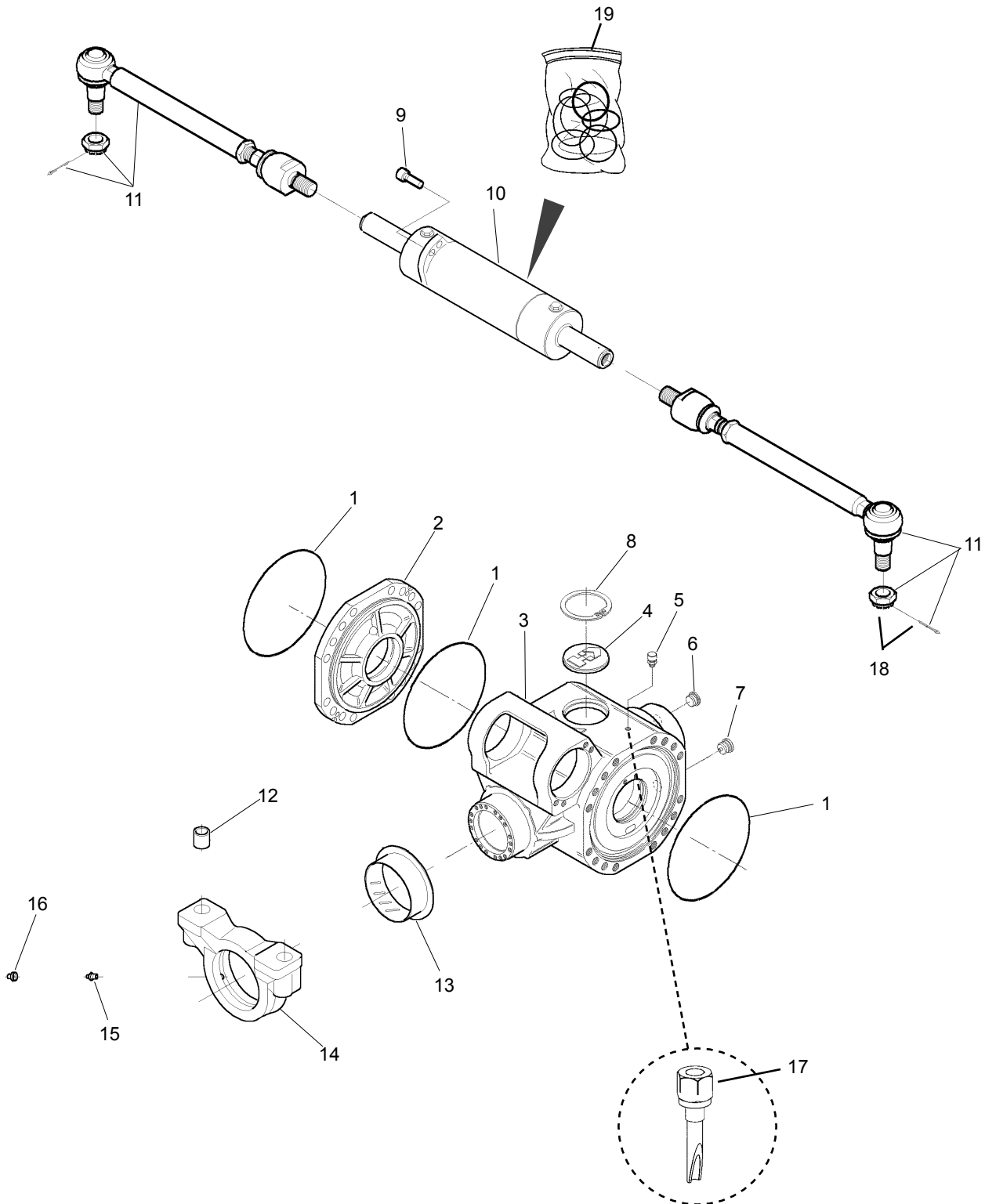


# Axles

# RS Series

## Tie Rods, Steer Cylinder, and Center Housing - Front and Rear

(RS6 and RS8 Models)



RS6 and RS8 Models Only

# Telescopic Handler

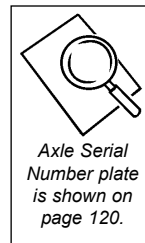
# Axles

## Tie Rods, Steer Cylinder, and Center Housing - Front and Rear

Ref. No.	Part No.	Description	Qty. Req.	Ref. No.	Part No.	Description	Qty. Req.
01	104485	O-RING .....	3	12	L500542	REDUCTION BUSHING .....	4
02		INTERMEDIATE COVER .....	1	13	L500543	THRUST BUSHING.....	2
	50220246	<i>Front Axle SN: P-ITA-771550 and up</i>		14	L500544	SUPPORT .....	2
	L500451	<i>Front Axle SN: P-ITA-771549 and before</i>		15	L98355	GREASE FITTING.....	2
	L500451	<i>Rear Axle</i>		16	L500496	PLUG .....	2
03	102573	HOUSING .....	1	17	103788	BREATHER TUBE.....	1
04	104518	PLUG.....	1	18	104431	NUT AND COTTER PIN KIT .... AR	
05	50220030	VENT .....	1			<i>(included with item # 11)</i>	
06	102575	PLUG.....	1	19		SEAL KIT, STEER CYLINDER .... 2	
07	102576	MAGNETIC PLUG.....	1			<i>(one for the front; one for the rear)</i>	
08	L98373	SNAP RING .....	1		50220267	<i>Note a</i>	
09	L500539	CYLINDER BOLT .....	4		103118	<i>Note b</i>	
10		CYLINDER, STEER .....	1				
	50220264	<i>Note a</i>		a		<i>Front Axle SN R-ITA-776153 and up</i>	
	102577	<i>Note b</i>				<i>Rear Axle SN R-ITA-775513 and up</i>	
11	102578	ARTICULATED TIE ROD .....	2	b		<i>Front Axle SN R-ITA-776152 and before</i>	
						<i>Rear Axle SN R-ITA-775512 and before</i>	



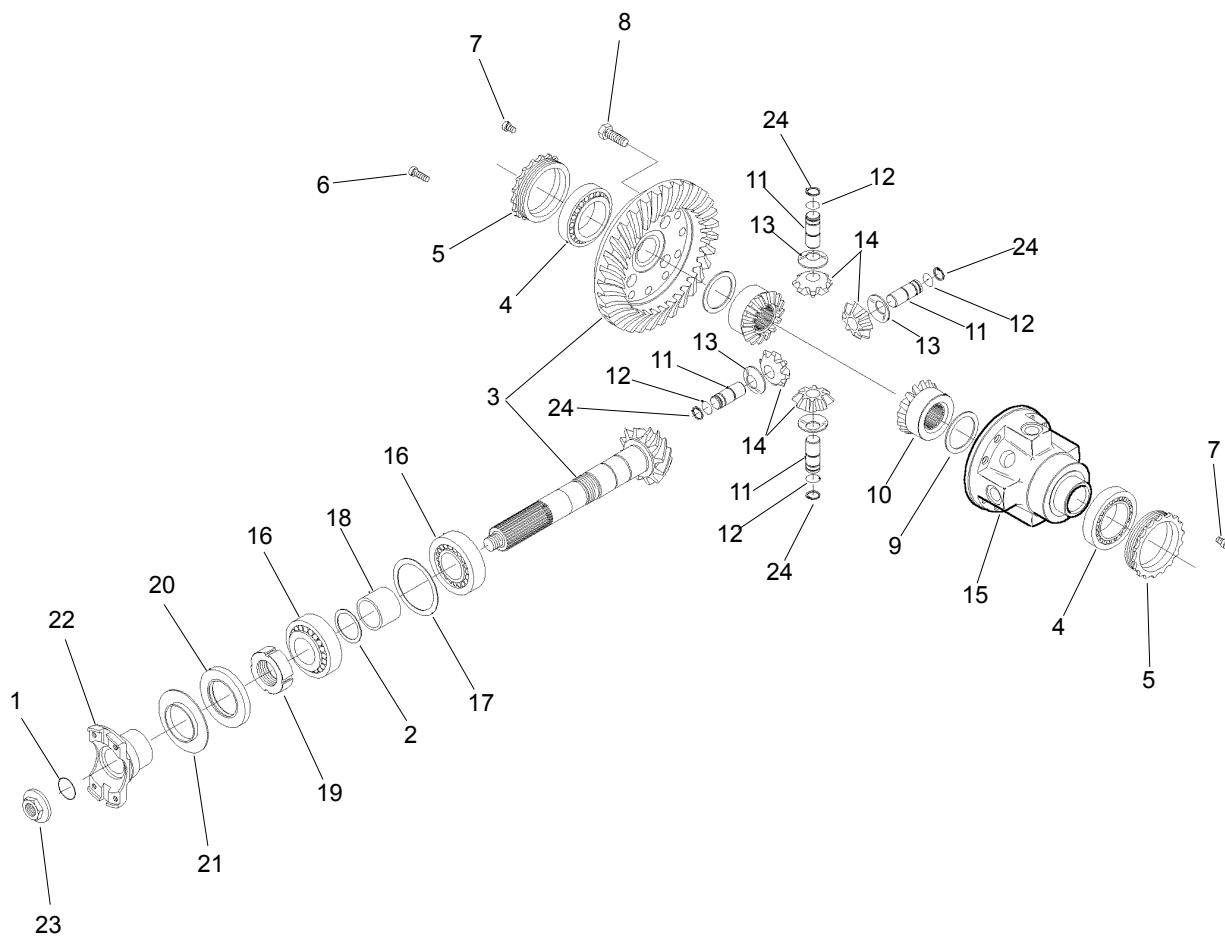
**NOTE:** Quantities shown are for one axle.



RS6 and RS8 Models Only

## Differential - Front and Rear - (RS6 and RS8 Models)

RS6 and RS8 Models Only



# Telescopic Handler

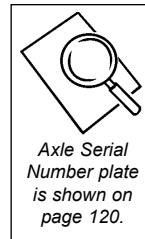
# Axles

## Differential - Front and Rear - (RS6 and RS8 Models)

Ref. No.	Part No.	Description	Qty. Req.	Ref. No.	Part No.	Description	Qty. Req.
01	L500457	O-RING .....	1	12	L500471	SNAP RING.....	4
02	L500459	SHIM .....	1	13	L500472	FRICTION WASHER.....	4
	L500460	SHIM .....	1	14	L500473	DIFFERENTIAL PINION .....	4
	L500461	SHIM .....	1	15	L500474	DIFFERENTIAL CARRIER .....	1
	L98414	SHIM .....	1	16	L500771	TAPER ROLLER BEARING .....	2
	50220247	SHIM .....	1	17	L98404	SHIM .....	1
	50220248	SHIM .....	1		L98406	SHIM .....	1
03		BEVEL GEAR SET .....	1		L500476	SHIM .....	1
	102579	(Front Axle) .....	1		L500477	SHIM .....	1
	102580	(Rear Axle).....	1	18	L500478	SPACER .....	1
04	L98380	TAPER ROLLER BEARING .....	2	19	L98396	RING NUT.....	1
05	L500464	RING NUT.....	2	20		SEAL .....	1
06	L500465	CYLINDER BOLT .....	4		L98395	Front Axle SN: P-ITA-771549 and before	
07	L500466	CYLINDER BOLT .....	2			Rear Axle SN: P-ITA-771563 and before	
08	L500467	BOLT .....	12		50220249	Front Axle SN: P-ITA-771550 and up	
09	L500468	FRICTION WASHER.....	2			Rear Axle SN: P-ITA-771564 and up	
10	L500469	DIFFERENTIAL SIDE GEAR .....	2	21	L98394	COVER PLATE .....	1
11		PIN .....	AR	22	102863	FLANGE .....	1
		(includes item #12)		23	L500480	NUT .....	1
	L500470	(front axle).....	2	24	L500481	SNAP RING.....	4
	103402	(rear axle) .....	2				

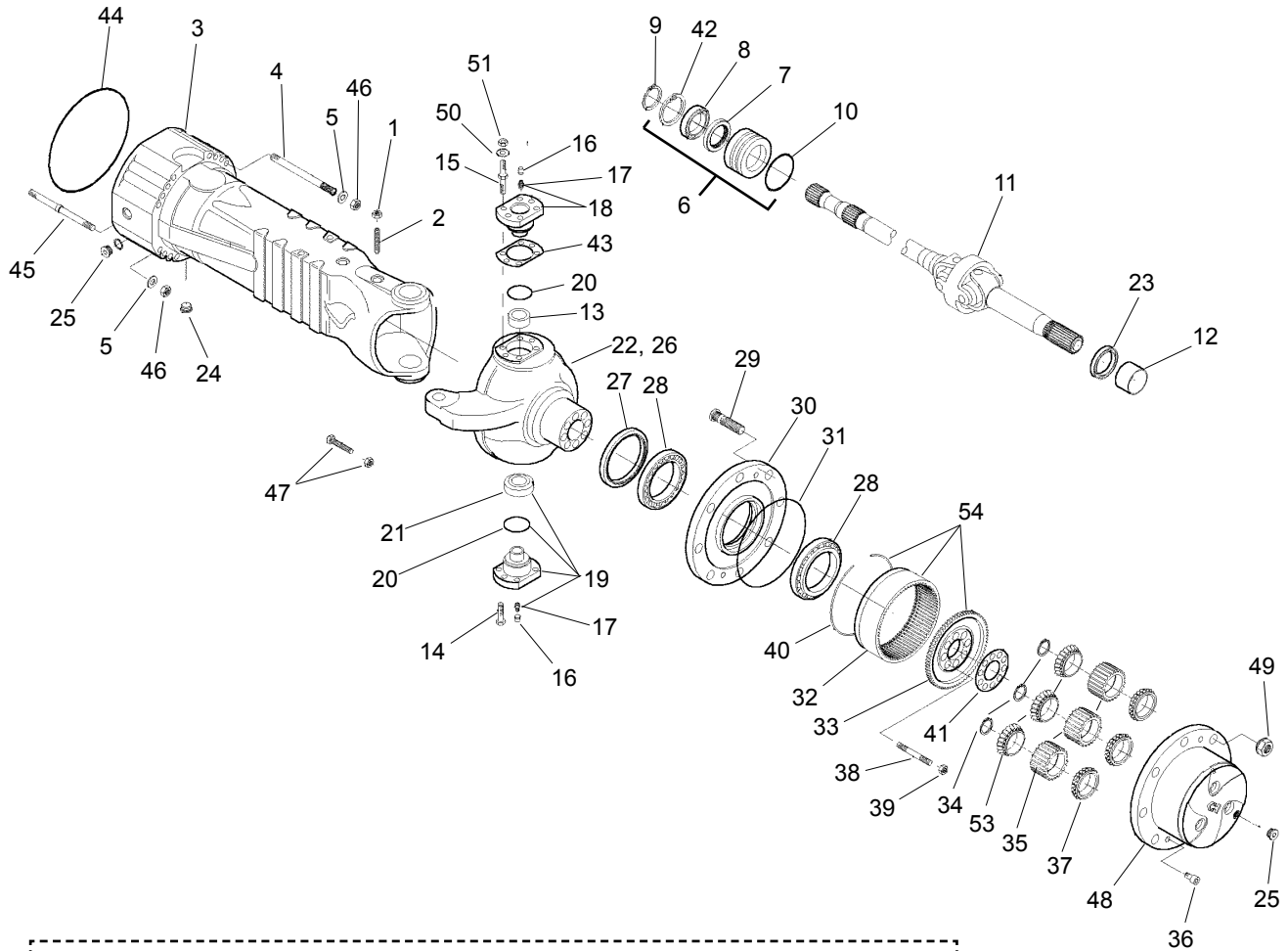


**NOTE:** Quantities shown are for one axle.

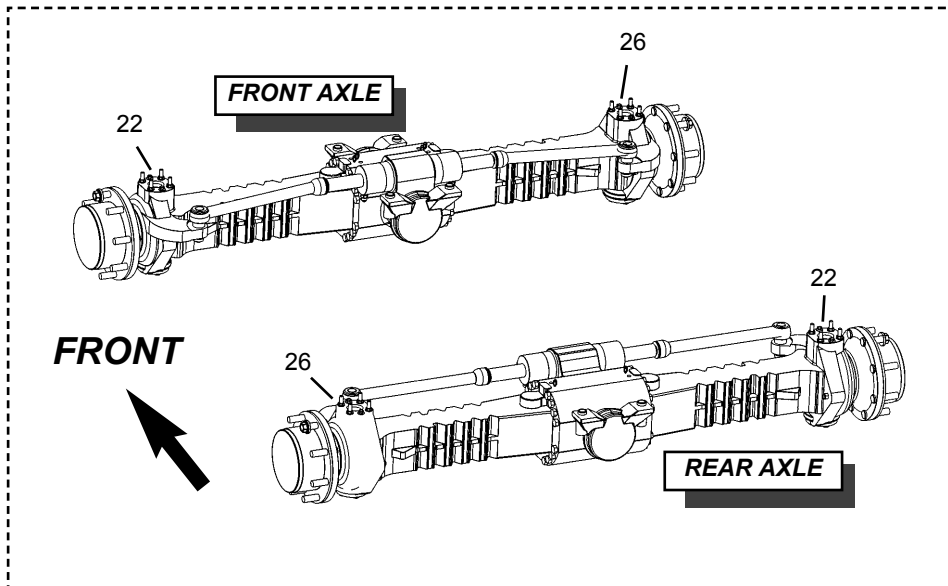


RS6 and RS8 Models Only

## Outer End - Front and Rear - (RS6 and RS8 Models)



RS6 and RS8 Models Only



# Telescopic Handler

# Axles

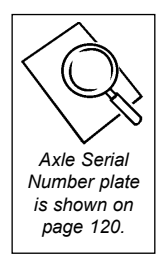
## Outer End - Front and Rear - (RS6 and RS8 Models)

Ref. No.	Part No.	Description	Qty. Req.	Ref. No.	Part No.	Description	Qty. Req.
<b>NOTE: All quantities are per axle</b>				28	102600	BEARING.....	4
01	L500483	NUT.....	2	29	102601	WHEEL STUD.....	20
02	102581	BOLT.....	2	30	102602	WHEEL HUB.....	2
03		AXLE CASE.....	2	31	102603	O-RING.....	2
	102582	Front Axle SN		32		RING GEAR.....	2
	50220252	Rear Axle SN: P-ITA-771564 and up			102604	Front Axle	
	102582	Rear Axle SN:P-ITA-771563 and before			50220057	Rear Axle SN: P-ITA-771564 and up	
04		STUD			102604	Rear Axle SN: P-ITA-771563 and before	
	102584	Front Axle SN.....	24	33	102605	RING GEAR SUPPORT.....	2
	102584	Rear Axle SN:P-ITA-771563 and before	24	34	102606	SNAP RING.....	6
	50220253	Rear Axle SN: P-ITA-771564 and up ..	32	35	102607	DIFFERENTIAL PINION.....	6
05	L500487	WASHER.....	32	36	104504	COUNTERSUNK BOLT.....	4
06	L500488	REDUCTION BUSHING.....	2	37	102900	BEARING.....	6
		(incl. 7, 8, 10 and 42)		38	L500517	STUD.....	20
07	L500489	SEAL.....	2	39	L500518	NUT.....	20
08	L98371	BALL BEARING.....	2	40	102608	SNAP RING.....	2
09	L98372	SNAP RING.....	2	41	102609	LOCKING PLATE.....	2
10	L500490	O-RING.....	2	42	L98373	SNAP RING.....	2
11		SHAFT ASSEMBLY.....	2	43	102610	SHIM.....	2
	50220751	Front Axle SN: S-ITA-776599 and up			102611	SHIM.....	2
	102586	Front Axle SN: S-ITA-776598 and before			102612	SHIM.....	2
	50220751	Rear Axle SN: S-ITA-776265 and up		44	104485	O-RING.....	2
	50220254	Rear Axle SN: P-ITA-771564 through S-ITA-776264		45	102614	STUD	
	102586	Rear Axle SN: P-ITA-771563 and before				Front Axle.....	8
12	102588	THRUST BUSHING.....	2			Rear Axle SN: P-ITA-771564 and up ..	0
13	102589	BUSHING.....	2			Rear Axle SN: P-ITA-771563 and before	8
14	L500467	BOLT.....	12	46	102615	NUT.....	32
15	50220056	STUD.....	8	47	104546	STEERING ADJUST BOLT ASY...	4
16	L500496	PLUG.....	4	48	102616	PLANET GEAR CARRIER.....	2
17	L98355	GREASE FITTING.....	4	49	L69734	WHEEL NUT.....	20
18	102590	PIVOT PIN.....	2	50	102583	WASHER.....	8
19	102591	PIVOT PIN.....	2	51	102587	NUT.....	8
20	102592	DUST EXCLUDER.....	4	53	102899	BEARING.....	6
21	102593	BEARING.....	2	54	50220251	RING GEAR SUPPORT.....	2
22	102594	STEERING CASE.....	2			(includes 32, 33, and 40)	
		(includes item 12)				Front Axle SN: P-ITA-771550 and up	
23	102595	SEAL.....	2			Rear Axle SN: P-ITA-771564 and up	
24	102576	MAGNET PLUG.....	2				
25	102575	PLUG.....	4				
26	102598	STEERING CASE.....	2				
		(includes item 12)					
27	102599	SEAL.....	2				

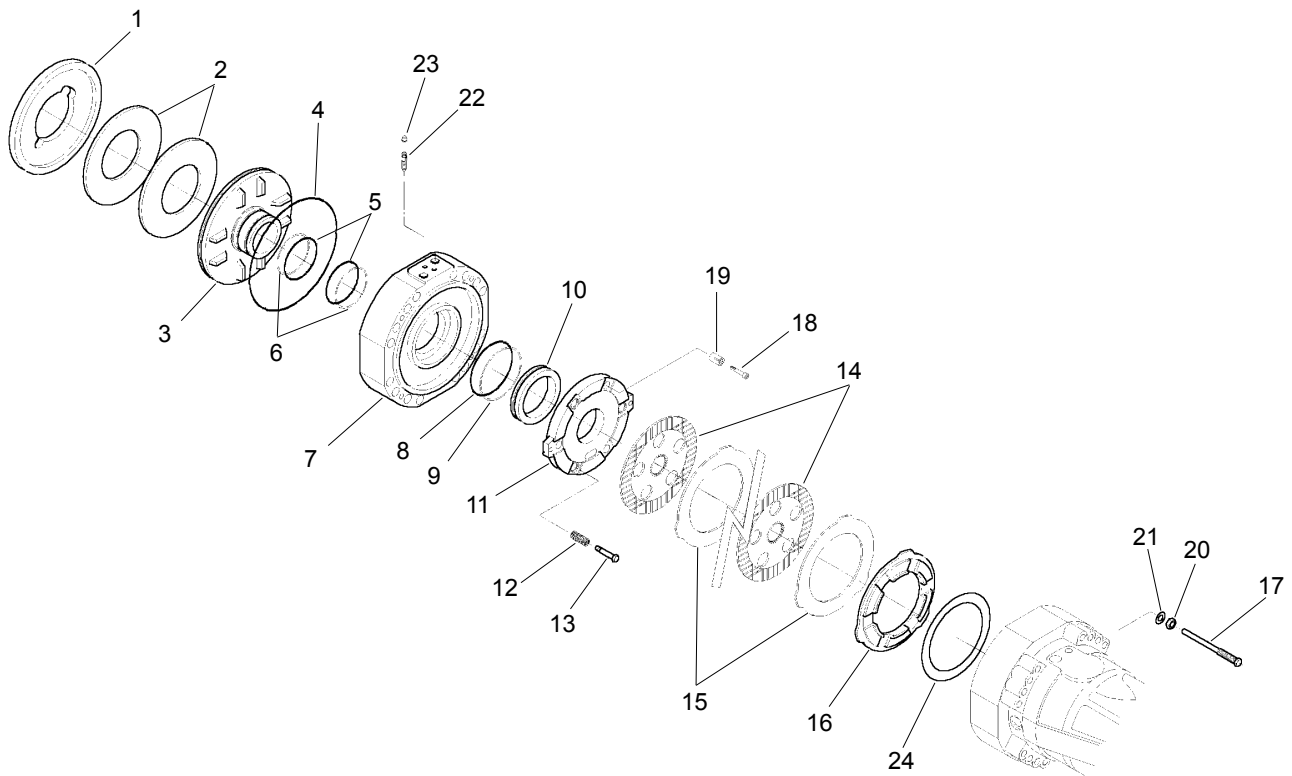
RS6 and RS8 Models Only



**NOTE:** Quantities shown are for one axle.



## Brakes - Front - (RS6 and RS8 Models)



RS6 and RS8 Models Only



# Telescopic Handler

# Axles

## Brakes - Front - (RS6 and RS8 Models)

Ref. No.	Part No.	Description	Qty. Req.	Ref. No.	Part No.	Description	Qty. Req.
01	102617	SPACER .....	2	14	L500527	BRAKE DISC .....	8
02	102618	SPRING .....	4	15	L500536	INTERMEDIATE BRAKE DISC .....	8
03	102619	PISTON .....	2	16	102629	SPACER .....	2
04	102620	O-RING .....	2	17	102630	BOLT .....	4
05	102621	O-RING .....	4	18	102631	ADJUSTING BOLT .....	6
06	102622	BACKUP RING .....	4	19	102632	SPRING .....	6
07	102623	COVER .....	2	20	102633	NUT .....	4
08	L98368	O-RING .....	2	21	102634	LOCK WASHER .....	4
09	102624	BACKUP RING .....	2	22	104655	BLEEDING BOLT .....	4
10	102625	PISTON .....	2	23	L500496	PLUG .....	4
11	102626	INTERMEDIATE BRAKE DISC .....	2	24	102635	SHIM (20mm) .....	2
12	102627	SPRING .....	6		102636	SHIM (30mm) .....	2
13	102628	ADJUSTING BOLT .....	6		102637	SHIM (50mm) .....	2



**NOTE:** Quantities shown are for one axle.

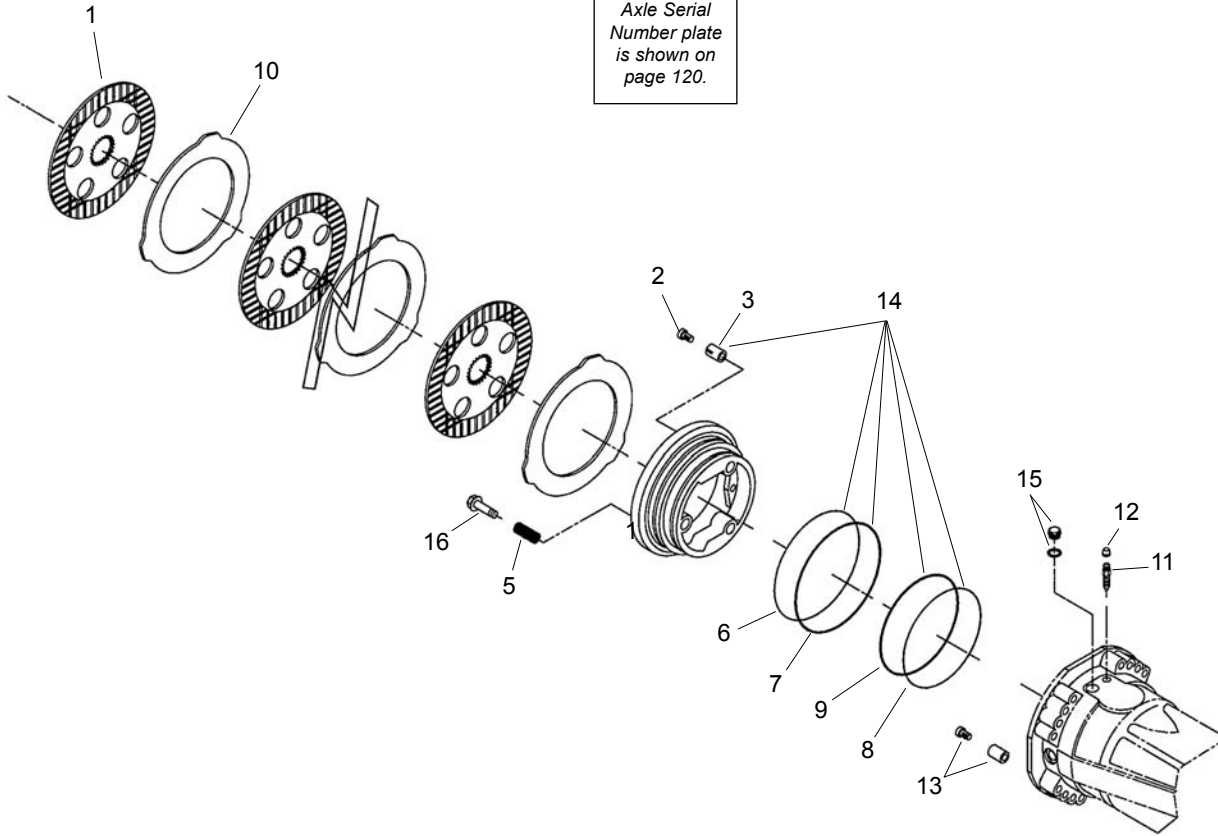
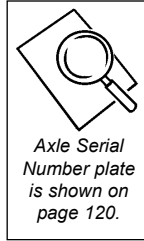
RS6 and RS8 Models Only

# Axles

# RS Series

## Brakes - Rear - (RS6 and RS8 Models)

Rear Axle SN P-ITA-771564 and up



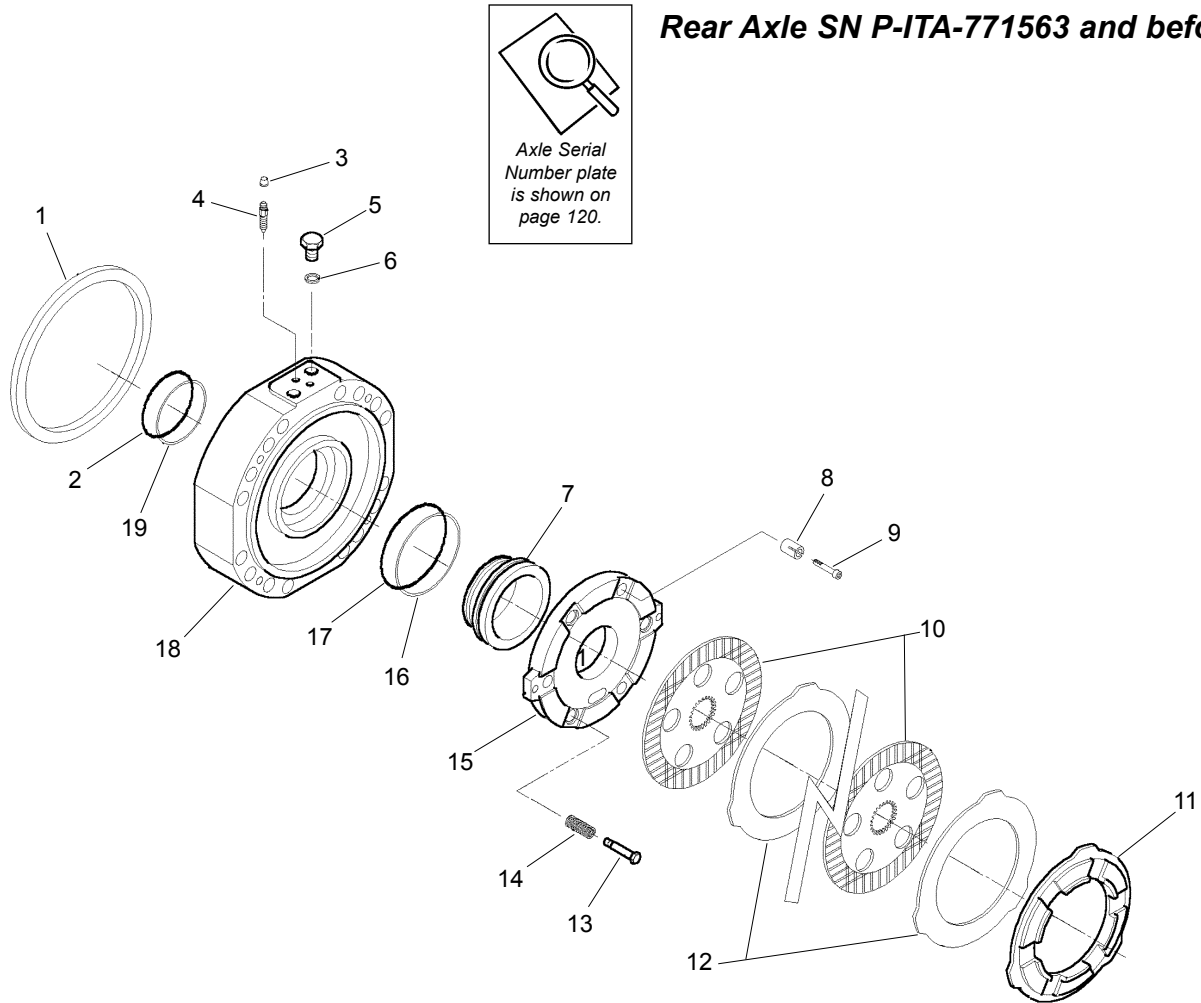
RS6 and RS8 Models Only


Ref. No.	Part No.	Description	Qty. Req.	Ref. No.	Part No.	Description	Qty. Req.
01	L500527	BRAKE DISC	8	11	104655	BLEEDING BOLT	2
02	102897	ADJUSTING BOLT	6	12	L500496	PLUG	2
03	102632	SPRING	6	13	106097	PILOT BOLT	2
04	NSS	PISTON (included with item 14)	2	14	50220256	PISTON (includes items, 3, 4, and 6-9)	2
05	102627	SPRING	6	15	50220068	PLUG and WASHER	2
06	L500532	BACK-UP RING	2	16	102628	ADJUSTING BOLT	6
07	L500533	O-RING	2				
08	L500534	BACK-UP RING	2				
09	L500535	O-RING	2				
10	L500536	INTERMEDIATE BRAKE DISC	10				



**NOTE:** Quantities shown are for one axle.

Rear Axle SN P-ITA-771563 and before



  
Axle Serial  
Number plate  
is shown on  
page 120.

Ref. No.	Part No.	Description	Qty. Req.	Ref. No.	Part No.	Description	Qty. Req.
01	102644	SPACER .....	2	11	102629	SPACER .....	2
02	102622	BACK-UP RING.....	2	12	L500536	INTERMEDIATE BRAKE DISC....	8
03	L500496	PLUG.....	2	13	102628	ADJUSTING BOLT .....	6
04	104655	BLEEDING BOLT .....	2	14	102627	SPRING.....	6
05	50220068	PLUG ASSEMBLY: .....	2	15	102626	INTERMEDIATE BRAKE DISC....	2
		(includes item 6)		16	102624	BACKUP RING .....	2
06	NSS	SEAL WASHER.....	2	17	L98368	O-RING .....	2
		(included with item 5)		18	102898	COVER .....	2
07	102642	PISTON.....	2	19	102621	O-RING .....	2
08	102632	SPRING.....	6				
09	102897	ADJUSTING BOLT .....	6				
10	L500527	BRAKE DISC.....	8				



NOTE: Quantities shown are for one axle.

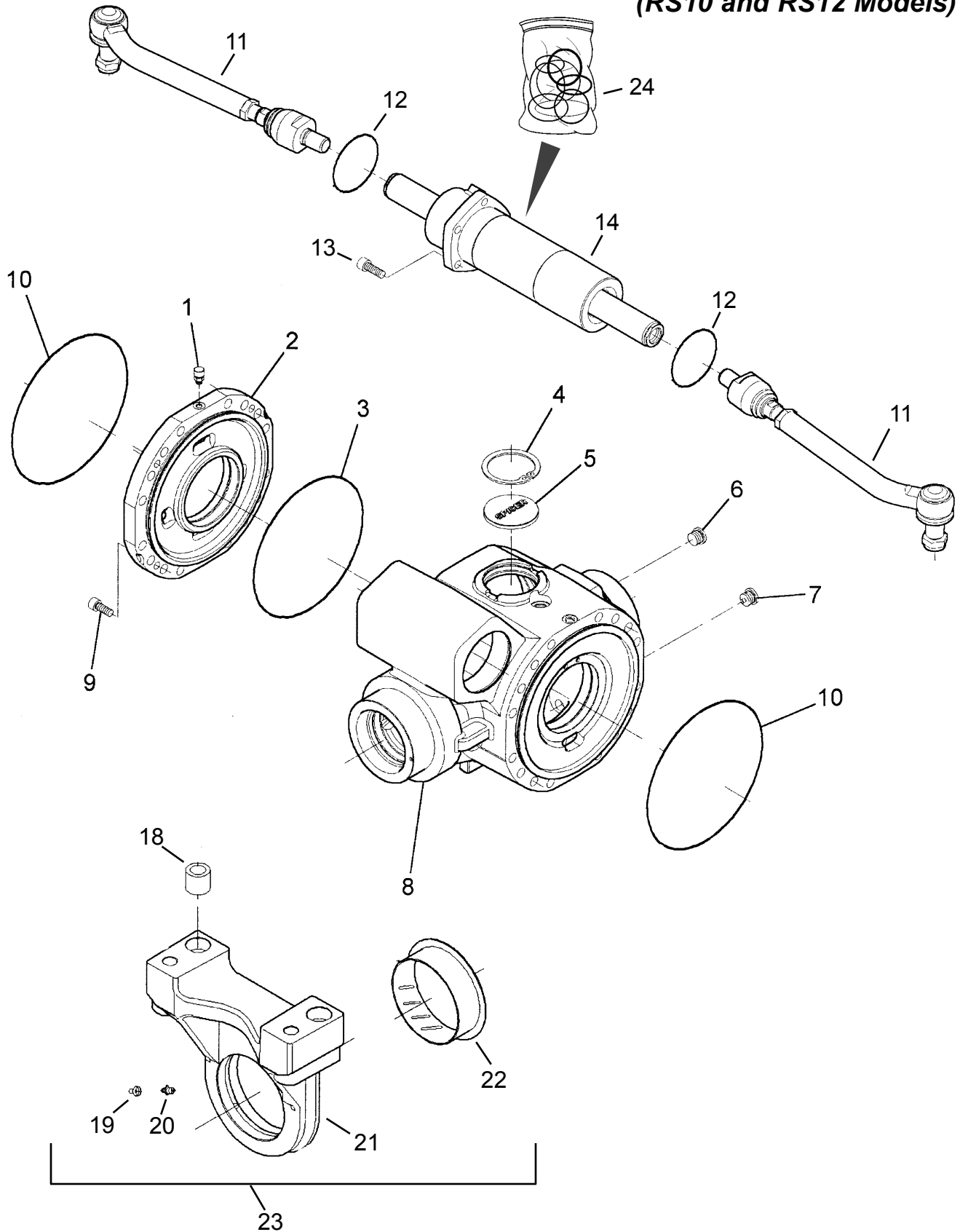
RS6 and RS8 Models Only

# Axle

# RS Series

## Front and Rear Axle - Steer Cylinder, Central Housing, and Trunion

(RS10 and RS12 Models)



RS10 and RS12 Models Only

# Telescopic Handler

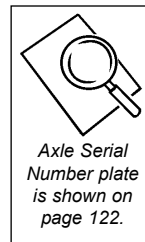
# Axle

## Front and Rear Axle - Steer Cylinder, Central Housing, and Trunion

Ref. No.	Part No.	Description	Qty. Req.	Ref. No.	Part No.	Description	Qty. Req.
01		VENT/ PLUG . . . . .	1	19	L500496	PLUG . . . . .	2
	50220030	<i>Note a - Vent (shown)</i>		20	L98355	GREASE FITTING . . . . .	2
	50220030	<i>Note b - Vent (shown)</i>		21	106080	SUPPORT, AXLE . . . . .	2
	L98419	<i>Note c - Plug (not shown)</i>		22	106079	THRUST BUSHING . . . . .	2
02	106002	INTERMEDIATE COVER . . . . .	1	23	106081	SUPPORT ASSEMBLY . . . . .	2
03	106003	O-RING . . . . .	1			<i>(includes items 18-22)</i>	
04	L98373	SNAP RING . . . . .	1	24	106124	SEAL KIT, STEER CYLINDER . . . . .	1
05		PLUG . . . . .	1				
	104518	<i>(Front Axle)</i>					
	L98424	<i>(Rear Axle)</i>					
06	104568	PLUG . . . . .	1				
07	104569	MAGNETIC PLUG . . . . .	1				
08	106115	HOUSING . . . . .	1				
09	106005	BOLT . . . . .	4				
10	106006	O-RING . . . . .	2				
11	106076	TIE ROD . . . . .	2				
	106871	NUT <i>(sold separately)</i> . . . . .	AR				
12	106075	O-RING . . . . .	2				
13	106077	BOLT . . . . .	5				
14	106074	STEER CYLINDER . . . . .	1				
18	106078	BUSHING . . . . .	4				



**NOTE:** Quantities shown are for one axle.



# Axle

# RS Series

## Front Axle - Differential - (RS10 and RS12 Models)

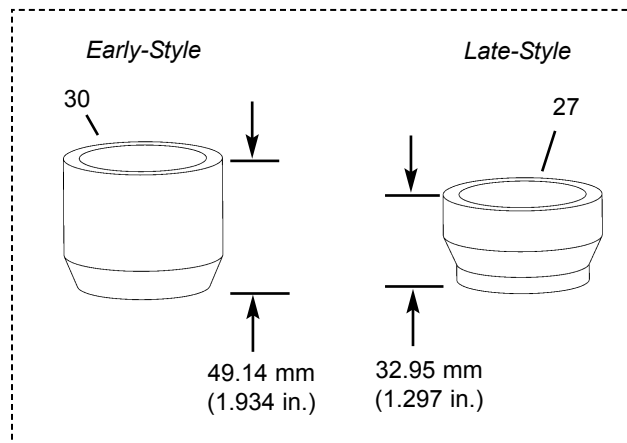
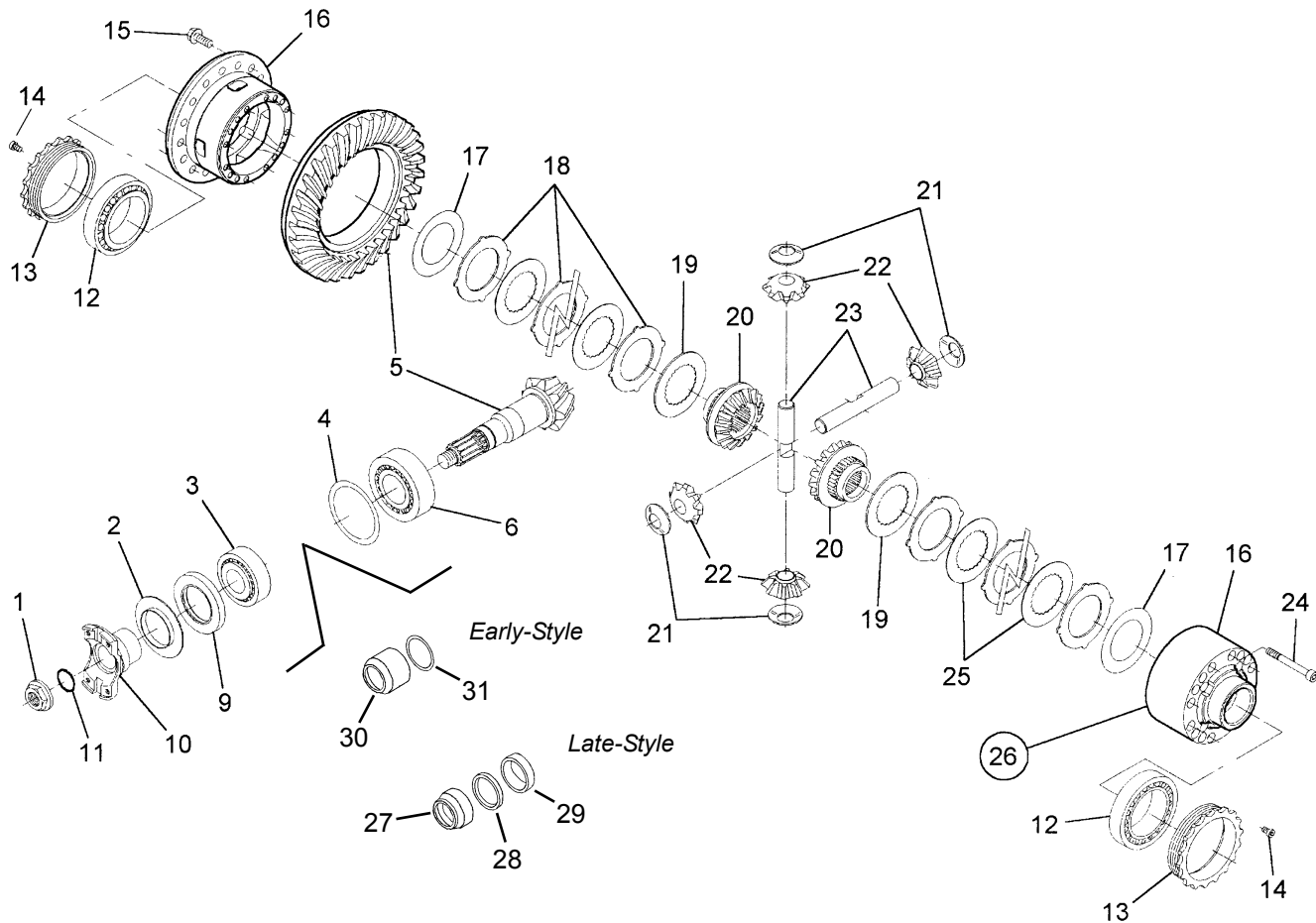


Figure 1.

# Telescopic Handler

# Axle

## Front Axle - Differential - (RS10 and RS12 Models)

Ref. No.	Part No.	Description	Qty. Req.	Ref. No.	Part No.	Description	Qty. Req.
01	106007	NUT . . . . .	1	27 <sup>a</sup>	50220045	PINION BEARING SPACER . . . . . 1 (32.95 mm—length)	
02	106008	COVER PLATE . . . . .	1				
03	106009	TAPER ROLLER BEARING . . . . .	1	28 <sup>ac</sup>		SPACER . . . . .	AR
04		SHIM . . . . .	AR		50220041	SPACER, 60 x 50 x 5.0 mm	
	106010	SHIM			50220042	SPACER, 60 x 50 x 5.025 mm	
	106011	SHIM			50220043	SPACER, 60 x 50 x 5.05 mm	
	106012	SHIM			50220044	SPACER, 60 x 50 x 5.075 mm	
	106013	SHIM		29 <sup>ac</sup>		SPACER . . . . .	AR
05	106116	BEVEL GEAR SET . . . . .	1		50220031	SPACER, 60 x 50 x 11.8 mm	
06	106015	TAPER ROLLER BEARING . . . . .	1		50220032	SPACER, 60 x 50 x 11.9 mm	
09	106102	SEAL . . . . .	1		50220033	SPACER, 60 x 50 x 12.0 mm	
10	106023	FLANGE . . . . .	1		50220034	SPACER, 60 x 50 x 12.1 mm	
11	106024	O-RING . . . . .	1		50220035	SPACER, 60 x 50 x 12.2 mm	
12	106025	TAPER ROLLER BEARING . . . . .	2		50220036	SPACER, 60 x 50 x 12.3 mm	
13	106026	RING NUT . . . . .	2		50220037	SPACER, 60 x 50 x 12.4 mm	
14	L500466	BOLT . . . . .	2		50220038	SPACER, 60 x 50 x 12.5 mm	
15	L500467	BOLT . . . . .	16		50220039	SPACER, 60 x 50 x 12.6 mm	
16		DIFFERENTIAL CARRIER . . . . .	1		50220040	SPACER, 60 x 50 x 12.7 mm	
	50220049	Note a		30 <sup>be</sup>	NA	PINION BEARING SPACER . . . . . 0 (49.14 mm—length)	
	106027	Note b					
17 <sup>a</sup>	50220046	CLUTCH DISC . . . . .	2	31 <sup>bd</sup>		SHIM . . . . .	AR
17 <sup>b</sup>		SHIM . . . . .	2		106016	SHIM, 60 x 50 x 0.15 mm	
	106028	SHIM			106017	SHIM, 60 x 50 x 0.20 mm	
	106029	SHIM			106018	SHIM, 60 x 50 x 0.30 mm	
	106030	SHIM			106019	SHIM, 60 x 50 x 0.40 mm	
18	106031	DISC . . . . .	10		106020	SHIM, 60 x 50 x 0.50 mm	
19	106032	DISC . . . . .	2				
20	106033	DIFFERENTIAL SIDE GEAR . . . . .	2				
21		FRICTION WASHER . . . . .	4				
	50220054	Note a					
	106034	Note b		a		Axle SN N-ITA-749223 and up *	
22	106035	DIFFERENTIAL PINON . . . . .	4	b		Axle SN N-ITA-749222 and before *	
23		DIFFERENTIAL SHAFT/PIN . . . . .	2				
	50220055	Note a		c		Use only with pinion bearing spacer item 27.	
	106036	Note b					
24	106037	BOLT . . . . .	16	d		Use only with pinion bearing spacer item 30.	
25	106038	DISC . . . . .	8				
26		DIFFERENTIAL . . . . . (includes items 16-25)	1	e		Early-style pinion bearing spacer—no longer available, replaced by item 27. If ordering item 27, it will also be necessary to order items 28 and 29 as needed to achieve proper spacing and bearing preload; refer to axle service manual for more information.	
	50220051	Note a					
	106039	Note b					



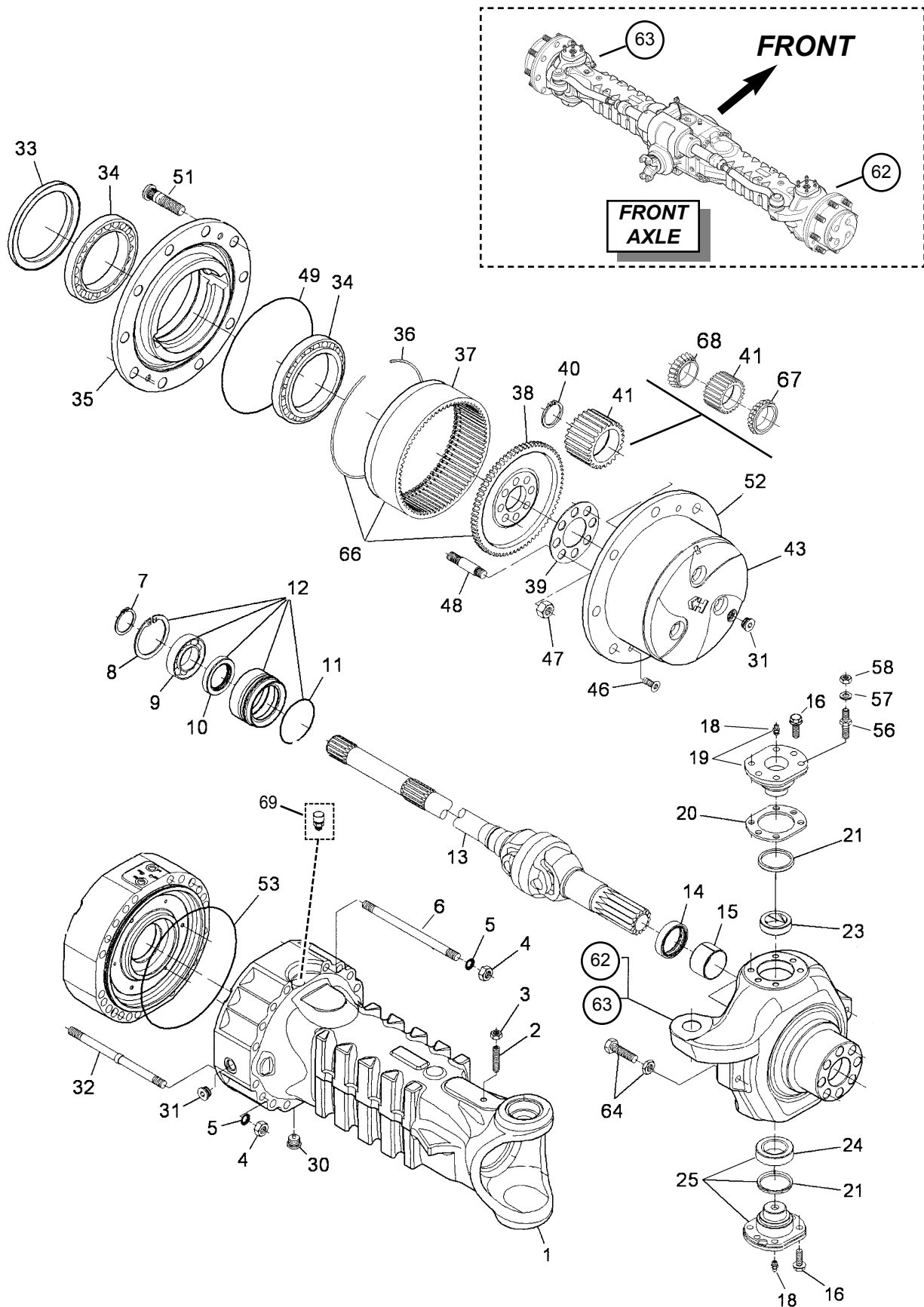
**\* IMPORTANT:** Before ordering replacement spacers or shims (items 27-31) be sure to measure the length of the pinion bearing spacer; refer to the measurements shown in Figure 1 on the facing page. The shims and spacers for the pinion bearing spacers are not interchangeable.

RS10 and RS12 Models Only

# Axle

# RS Series

## Front Axle - Hub Reduction - (RS10 and RS12 Models)



RS10 and RS12 Models Only



# Telescopic Handler

# Axle

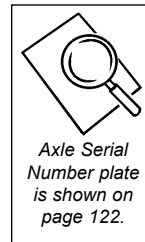
## Front Axle - Hub Reduction - (RS10 and RS12 Models)

Ref. No.	Part No.	Description	Qty. Req.	Ref. No.	Part No.	Description	Qty. Req.
01		AXLE CASE . . . . .	2	43	106053	PLANET GEAR CARRIER . . . . .	2
	50220624	<i>Note c</i>		46	104504	COUNTER-SUNK BOLT . . . . .	4
	106117	<i>Note d</i>		47	106121	NUT . . . . .	16
02	102581	BOLT . . . . .	2	48	106055	STUD . . . . .	16
03	L500483	NUT . . . . .	2	49	102603	O-RING . . . . .	2
04	102615	NUT . . . . .	32	51	102601	WHEEL STUD . . . . .	20
05	L500487	WASHER . . . . .	32	52	106122	PLANET GEAR CARRIER . . . . .	2
06	106118	STUD . . . . .	8			<i>(includes items 36-38 &amp; 40-43)</i>	
07	L98372	SNAP RING . . . . .	2	53	106006	O-RING . . . . .	2
08	L98373	SNAP RING . . . . .	2	56	50220056	STUD . . . . .	8
09	L98371	BALL BEARING . . . . .	2	57	102583	WASHER . . . . .	8
10	L500489	SEAL . . . . .	2	58	102587	NUT . . . . .	8
11	L500490	O-RING . . . . .	2	62 <sup>a</sup>	106110	STEERING CASE . . . . .	1
12	L500488	REDUCTION BUSHING . . . . .	2			<i>(includes item 15)</i>	
13	106119	DOUBLE UNIVERSAL JOINT . . . . .	2	63 <sup>a</sup>	106111	STEERING CASE . . . . .	1
14	102595	SEAL . . . . .	2			<i>(includes item 15)</i>	
15	102588	THRUST BUSHING . . . . .	1	64	104546	STEERING BOLT & NUT . . . . .	4
16	L500467	BOLT . . . . .	8	66	106112	RING GEAR SUPPORT . . . . .	2
18	L98355	GREASE FITTING . . . . .	4			<i>(includes items 36-38)</i>	
19	102590	PIVOT PIN . . . . .	2	67	106113	TAPER ROLLER BEARING . . . . .	8
20		SHIM . . . . .	2	68	106114	ROLLER BEARING . . . . .	8
	102610	SHIM		69 <sup>b</sup>	50220030	VENT . . . . .	1
	102611	SHIM					
	102612	SHIM					
21	106043	DUST EXCLUDER . . . . .	2				
23	102589	BUSHING . . . . .	2				
24	102593	BEARING . . . . .	2				
25	102591	PIVOT PIN . . . . .	2				
30	104569	MAGNETIC PLUG . . . . .	2				
31	104568	PLUG . . . . .	3				
32	106120	STUD . . . . .	24				
33	104517	SEAL . . . . .	2				
34	106045	TAPER ROLLER BEARING . . . . .	4				
35	106046	WHEEL HUB . . . . .	2				
36	102608	SNAP RING . . . . .	2				
37	106105	RING GEAR . . . . .	2				
38	106106	RING GEAR SUPPORT . . . . .	2				
39	106049	LOCKING PLATE . . . . .	2				
40	106107	SNAP RING . . . . .	8				
41	106108	PLANET GEAR . . . . .	8				

*a When ordering, refer to inset illustration "Front Axle" on facing page to determine correct steering case (e.g., left-side or right-side).*

*b Used in only one axle case (as shown), and only on axles in the axle S/N range S-ITA-703391 and up; the other side (axle case) uses a plug (PN L98419) in place of this vent.*

*c Axle SN S-ITA-703391 and up*  
*d Axle SN S-ITA-703390 and before*



RS10 and RS12 Models Only

## Rear Axle - Differential - (RS10 and RS12 Models)

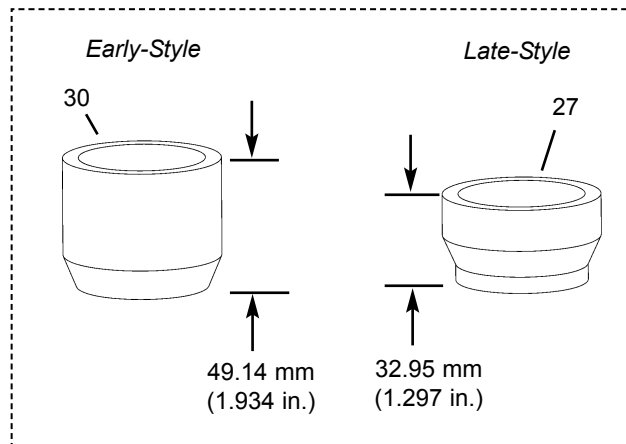
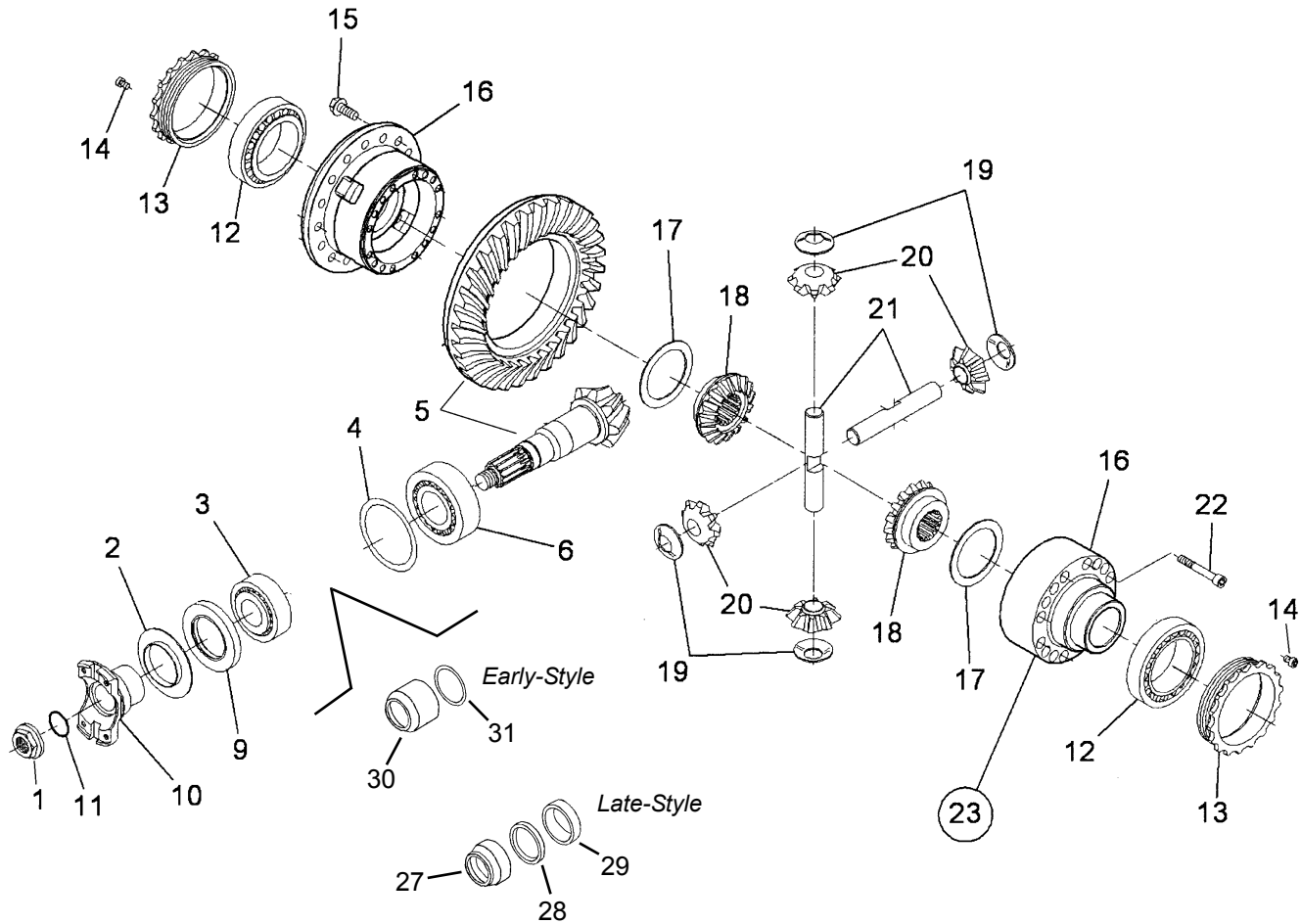


Figure 2.

# Telescopic Handler

# Axle

## Rear Axle - Differential - (RS10 and RS12 Models)

Ref. No.	Part No.	Description	Qty. Req.	Ref. No.	Part No.	Description	Qty. Req.
01	106007	NUT . . . . .	1	27 <sup>a</sup>	50220045	PINION BEARING SPACER . . . . . 1 (32.95 mm—length)	
02	106008	COVER PLATE . . . . .	1				
03	106009	TAPER ROLLER BEARING . . . . .	1	28 <sup>ac</sup>		SPACER . . . . .	AR
04		SHIM . . . . .	AR		50220041	SPACER, 60 x 50 x 5.0 mm	
	106010	SHIM			50220042	SPACER, 60 x 50 x 5.025 mm	
	106011	SHIM			50220043	SPACER, 60 x 50 x 5.05 mm	
	106012	SHIM			50220044	SPACER, 60 x 50 x 5.075 mm	
	106013	SHIM		29 <sup>ac</sup>		SPACER . . . . .	AR
05	106259	BEVEL GEAR SET . . . . .	1		50220031	SPACER, 60 x 50 x 11.8 mm	
06	106015	TAPER ROLLER BEARING . . . . .	1		50220032	SPACER, 60 x 50 x 11.9 mm	
09	106102	SEAL . . . . .	1		50220033	SPACER, 60 x 50 x 12.0 mm	
10	106023	FLANGE . . . . .	1		50220034	SPACER, 60 x 50 x 12.1 mm	
11	106024	O-RING . . . . .	1		50220035	SPACER, 60 x 50 x 12.2 mm	
12	106025	TAPER ROLLER BEARING . . . . .	2		50220036	SPACER, 60 x 50 x 12.3 mm	
13	106026	RING NUT . . . . .	2		50220037	SPACER, 60 x 50 x 12.4 mm	
14	L500466	BOLT . . . . .	2		50220038	SPACER, 60 x 50 x 12.5 mm	
15	L500467	BOLT . . . . .	16		50220039	SPACER, 60 x 50 x 12.6 mm	
16		DIFFERENTIAL CARRIER . . . . .	1		50220040	SPACER, 60 x 50 x 12.7 mm	
	50220048	Note a		30 <sup>be</sup>	NA	PINION BEARING SPACER . . . . . 0 (49.14 mm—length)	
	106083	Note b					
17		FRICTION WASHER . . . . .	2				
	50220052	Note a		31 <sup>bd</sup>		SHIM . . . . .	AR
	106084	Note b			106016	SHIM, 60 x 50 x 0.15 mm	
18		DIFFERENTIAL SIDE GEAR . . . . .	2		106017	SHIM, 60 x 50 x 0.20 mm	
	50220053	Note a			106018	SHIM, 60 x 50 x 0.30 mm	
	106085	Note b			106019	SHIM, 60 x 50 x 0.40 mm	
19		FRICTION WASHER . . . . .	4		106020	SHIM, 60 x 50 x 0.50 mm	
	50220054	Note a					
	106034	Note b					
20	106035	DIFFERENTIAL PINON . . . . .	4	a			
21		PIN . . . . .	2	b			
	50220055	Note a					
	106036	Note b					
22		BOLT . . . . .	15	c			
	50220029	Note a					
	106086	Note b		d			
23		DIFFERENTIAL . . . . .	1	e			
		(includes items 16-22)					
	50220050	Note a					
	106087	Note b					



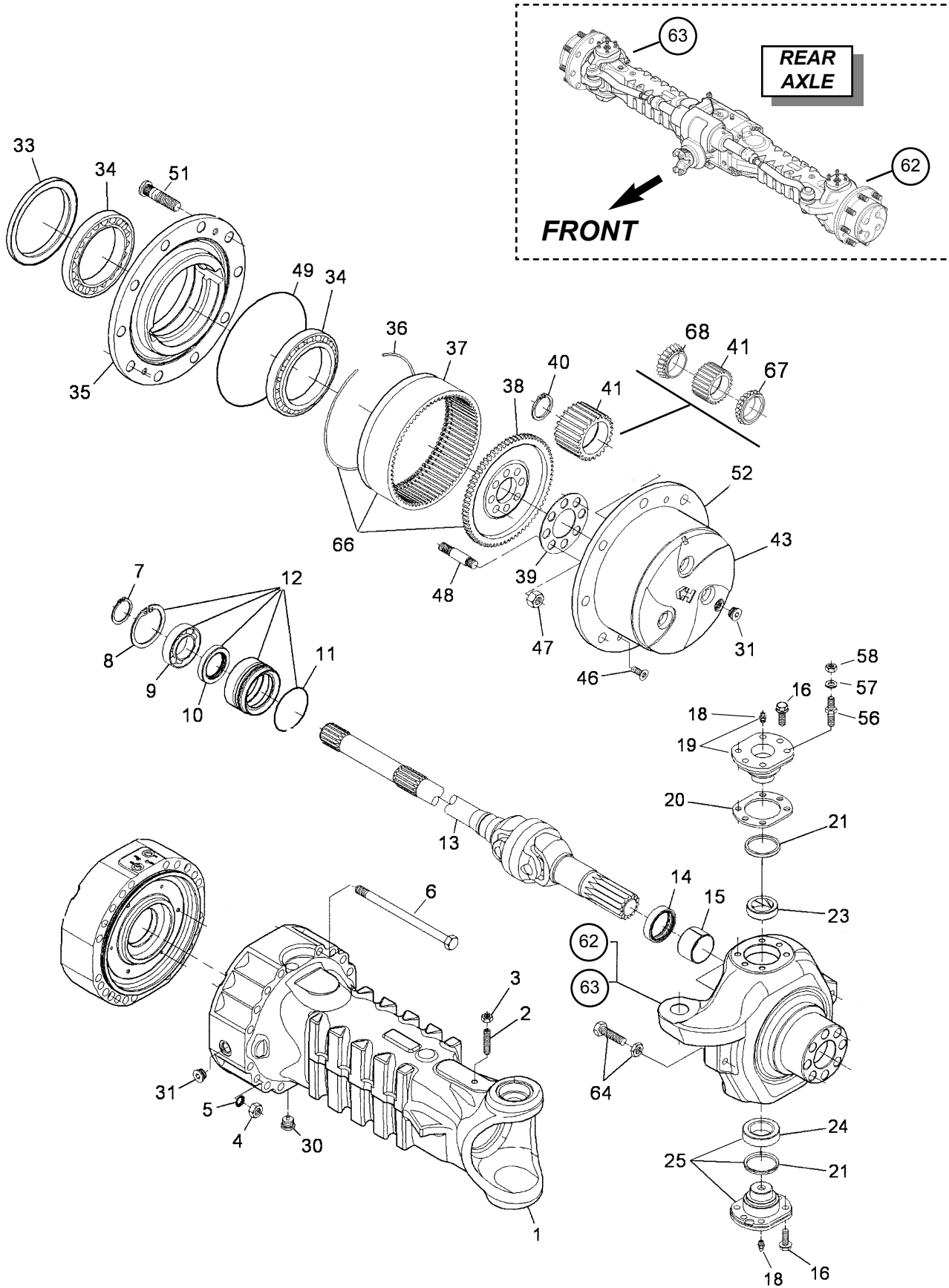
**\* IMPORTANT:** Before ordering replacement spacers or shims (items 27-31) be sure to measure the length of the pinion bearing spacer; refer to the measurements shown in Figure 2 on the facing page. The shims and spacers for the pinion bearing spacers are not interchangeable.

RS10 and RS12 Models Only

# Axle

# RS Series

## Rear Axle - Hub Reduction - (RS10 and RS12 Models)



RS10 and RS12 Models Only

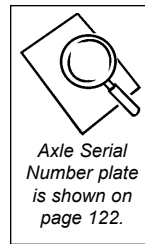
# Telescopic Handler

# Axle

## Rear Axle - Hub Reduction - (RS10 and RS12 Models)

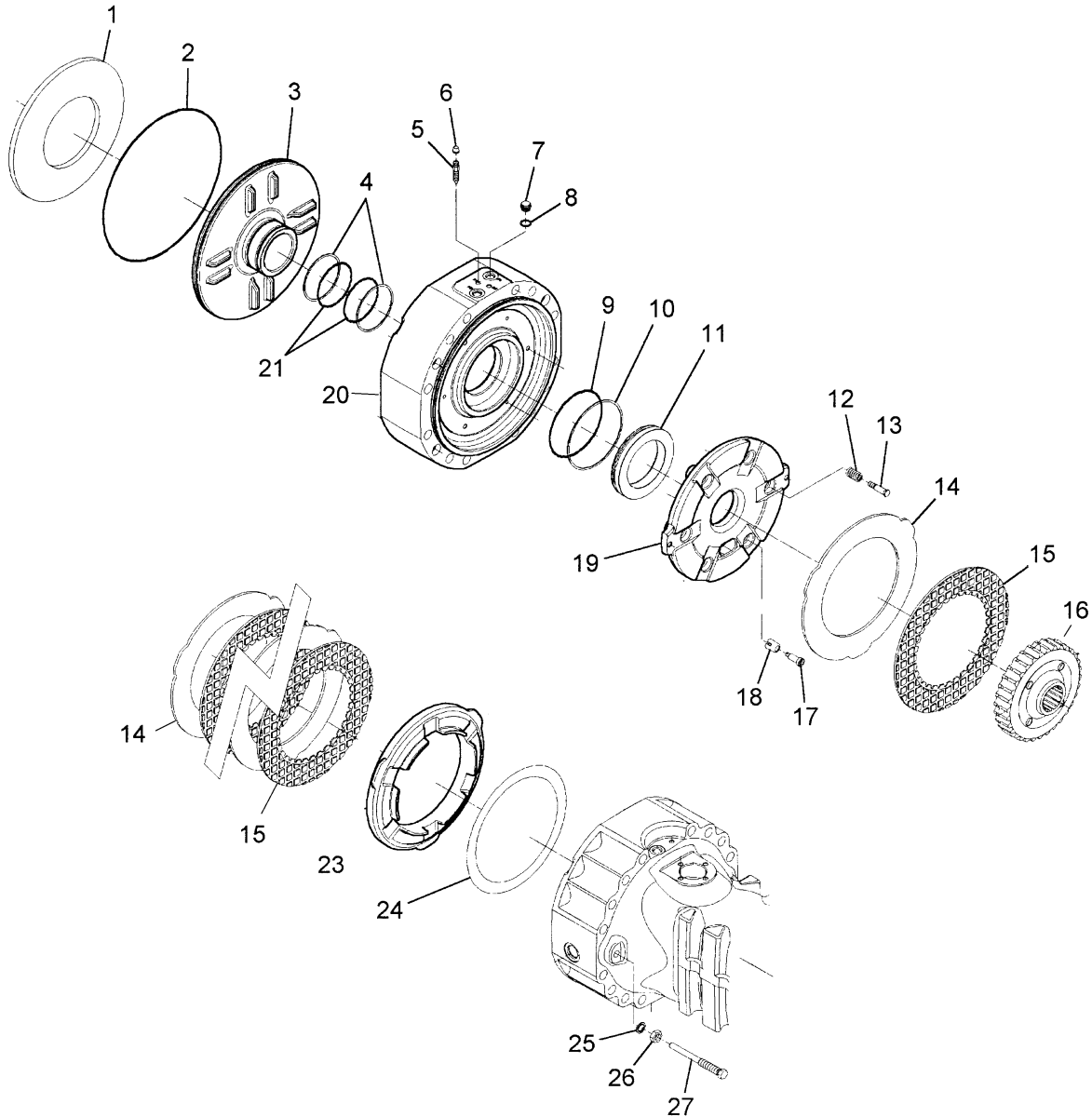
Ref. No.	Part No.	Description	Qty. Req.	Ref. No.	Part No.	Description	Qty. Req.
01	106103	AXLE CASE . . . . .	2	37	106105	RING GEAR . . . . .	2
02	102581	BOLT . . . . .	2	38	106106	RING GEAR SUPPORT . . . . .	2
03	L500483	NUT . . . . .	2	39	106049	LOCKING PLATE . . . . .	2
06	106089	BOLT . . . . .	32	40	106107	SNAP RING . . . . .	8
07	L98372	SNAP RING . . . . .	2	41	106108	PLANET GEAR . . . . .	8
08	L98373	SNAP RING . . . . .	2	43	106109	PLANET GEAR CARRIER . . . . .	2
09	L98371	BALL BEARING . . . . .	2	46	104504	COUNTER-SUNK BOLT . . . . .	4
10	L500489	SEAL . . . . .	2	47	106054	NUT . . . . .	16
11	L500490	O-RING . . . . .	2	48	106055	STUD . . . . .	16
12	L500488	REDUCTION BUSHING . . . . .	2	49	102603	O-RING . . . . .	2
13	106104	DOUBLE UNIVERSAL JOINT . . . . .	2	51	102601	WHEEL STUD . . . . .	20
14	102595	SEAL . . . . .	2	52	106056	PLANET GEAR CARRIER . . . . .	2
15	102588	THRUST BUSHING . . . . .	1			<i>(includes items 36-38 &amp; 40-43)</i>	
16	L500467	BOLT . . . . .	8	56	50220056	STUD . . . . .	8
18	L98355	GREASE FITTING . . . . .	4	57	102583	WASHER . . . . .	8
19	102590	PIVOT PIN . . . . .	2	58	102587	NUT . . . . .	8
20		SHIM . . . . .	2	62 <sup>a</sup>	106110	STEERING CASE . . . . .	1
	102610	SHIM				<i>(includes item 15)</i>	
	102611	SHIM		63 <sup>a</sup>	106111	STEERING CASE . . . . .	1
	102612	SHIM				<i>(includes item 15)</i>	
21	106043	DUST EXCLUDER . . . . .	2	64	104546	STEERING BOLT & NUT . . . . .	4
23	102589	BUSHING . . . . .	2	66	106112	RING GEAR SUPPORT . . . . .	2
24	102593	BEARING . . . . .	2			<i>(includes items 36-38)</i>	
25	102591	PIVOT PIN . . . . .	2	67	106113	TAPER ROLLER BEARING . . . . .	8
30	104569	MAGNETIC PLUG . . . . .	2	68	106114	ROLLER BEARING . . . . .	8
31	104568	PLUG . . . . .	3				
33	104517	SEAL . . . . .	2				
34	106045	TAPER ROLLER BEARING . . . . .	4				
35	106046	WHEEL HUB . . . . .	2				
36	102608	SNAP RING . . . . .	2				

a When ordering, refer to inset illustration "Rear Axle" on facing page to determine correct steering case (e.g., left-side or right-side).



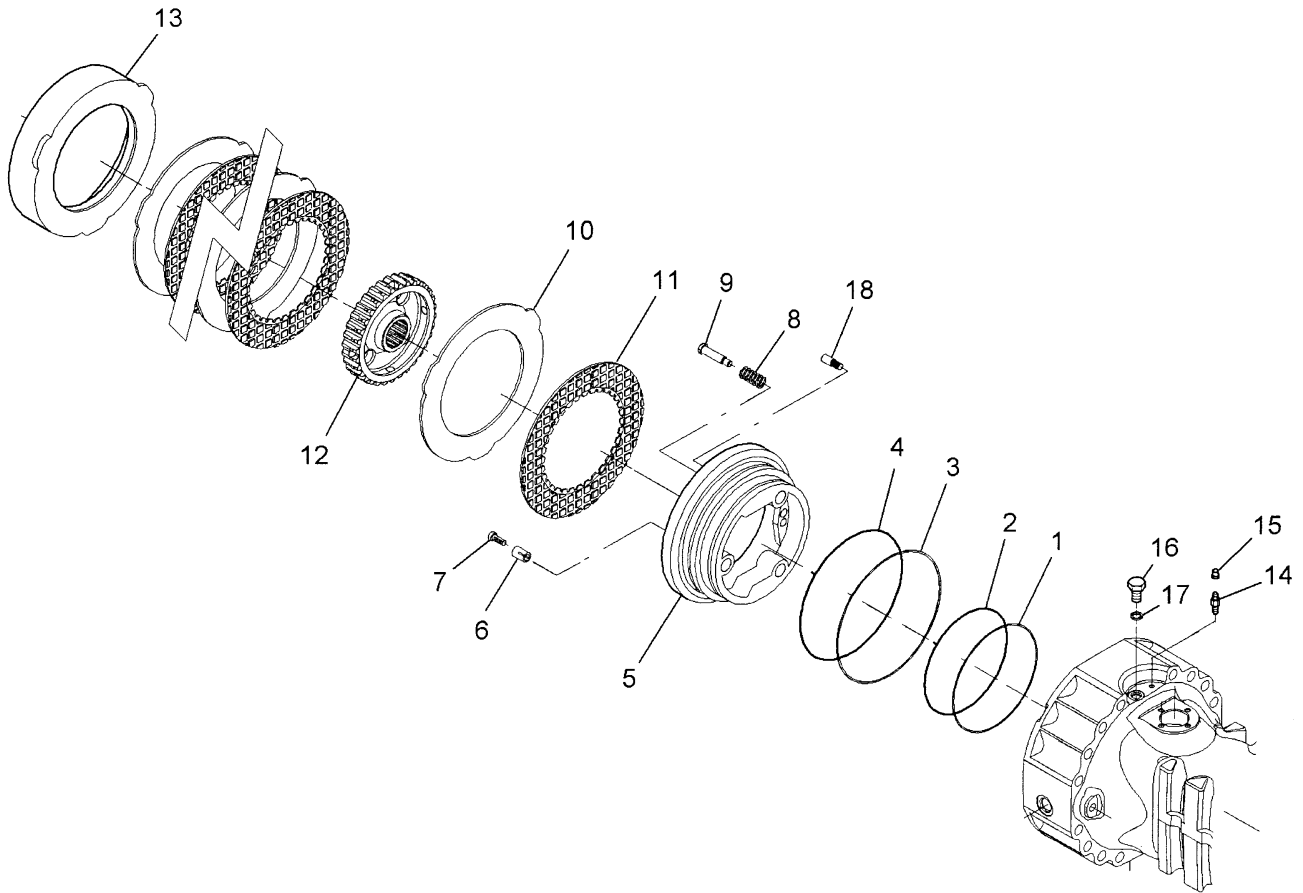
RS10 and RS12 Models Only

## Front Axle - Brakes - (RS10 and RS12 Models)



RS10 and RS12 Models Only

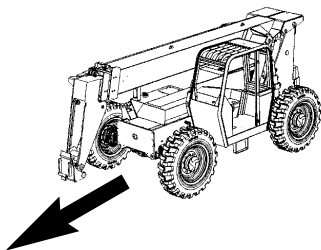
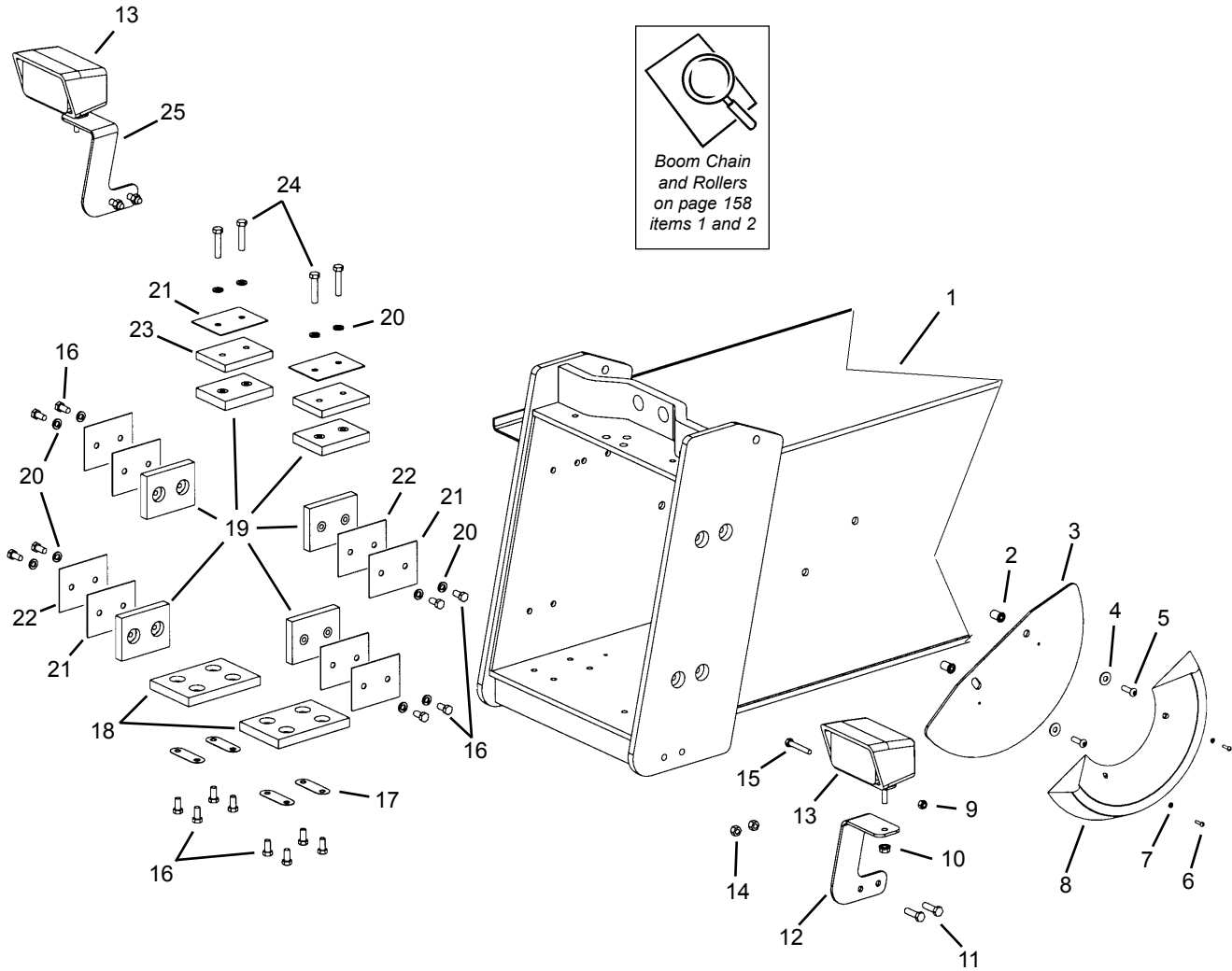
Ref. No.	Part No.	Description	Qty. Req.	Ref. No.	Part No.	Description	Qty. Req.
01	106061	SPRING.....	2	16	106066	REDUCTION BUSHING .....	2
02	106006	O-RING .....	2	17	102631	ADJUSTING BOLT .....	6
03	106062	PISTON .....	2	18	102632	SPRING .....	6
04	102622	BACK-UP RING.....	4	19	106067	INTERMEDIATE BRAKE DISC .....	2
05	104655	BLEED SCREW .....	4	20	106123	INTERMEDIATE COVER .....	2
06	L500496	PLUG.....	4	21	102621	O-RING .....	4
07	50220068	PLUG ASSEMBLY (includes #8)...	2	23	106070	SPACER .....	2
08	NSS	SEAL WASHER (included w/ #7) ..	2	24		SHIM .....	2
09	104657	O-RING .....	2		106071	SHIM	
10	104658	BACK-UP RING.....	2		106072	SHIM	
11	106063	PISTON .....	2		106073	SHIM	
12	102627	SPRING.....	6	25	102634	LOCK WASHER .....	4
13	102628	ADJUSTING BOLT .....	6	26	102633	NUT .....	4
14	106064	INTERMEDIATE BRAKE DISC.....	6	27	103391	BOLT .....	4
15	106065	BRAKE DISC.....	6				



Ref. No.	Part No.	Description	Qty. Req.	Ref. No.	Part No.	Description	Qty. Req.
01	106091	BACK-UP RING.....	2	10	106064	INTERMEDIATE BRAKE DISC.....	6
02	106092	O-RING.....	2	11	106065	BRAKE DISC.....	6
03	106093	BACK-UP RING.....	2	12	106066	REDUCTION BUSHING.....	2
04	106094	O-RING.....	2	13	106096	SPACER.....	2
05	106095	PISTON.....	2	14	104655	BLEED SCREW.....	2
06	102632	SPRING.....	6	15	L500496	PLUG.....	2
07	102897	ADJUSTING BOLT.....	6	16	50220068	PLUG ASSEMBLY (includes #17) ..	2
08	102627	SPRING.....	6	17	NSS	SEAL WASHER (included w/ #16) ..	2
09	102628	ADJUSTING BOLT.....	6	18	106097	PILOT BOLT.....	2

RS10 and RS12 Models Only

## 3-Section Boom - Outer - Front





# Telescopic Handler

# Boom

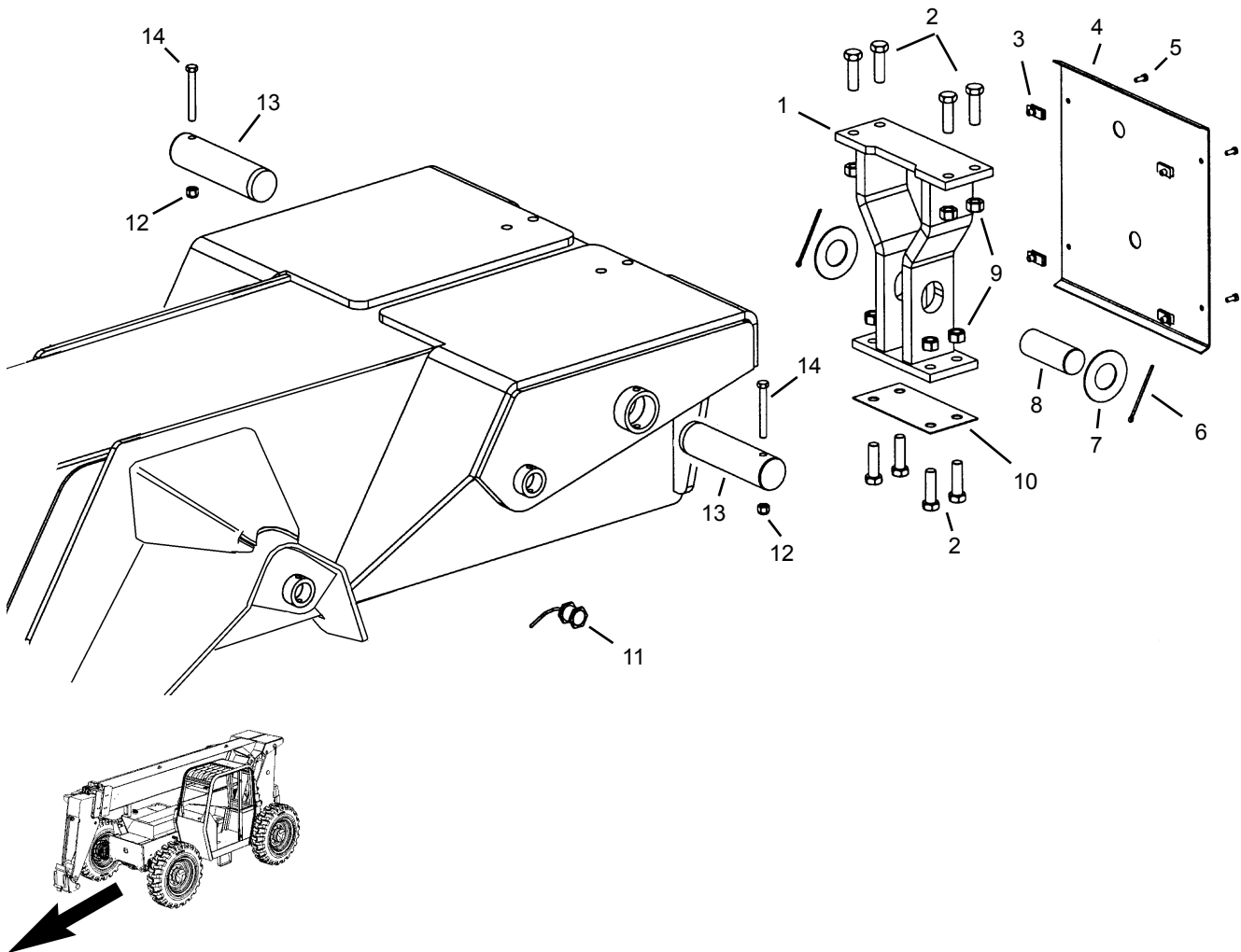
## 3-Section Boom - Outer - Front

Ref. No.	Part No.	Description	Qty. Req.	Ref. No.	Part No.	Description	Qty. Req.
01		OUTER BOOM WELDMENT . . . . .	1	13	L70040	WORK LIGHT . . . . .	2
	210434	3-section 42' boom			L70462	LIGHT HARNESS ( <i>not shown</i> )	
	210123	3-section 44' boom		14	L520005	3/8"-16 NYLON INSERT NUT . . . . .	4
02	L70242	5/16"-18 NUT INSERT. . . . .	2	15	L50835	5/16"-18X2" BOLT . . . . .	2
03	L65640	BOOM ANGLE IND. PLATE . . . . .	1	16	650488	3/8"-16X3/4" BOLT . . . . .	16
04	650810	5/16" FLAT WASHER . . . . .	2	17	L62715	FLAT-BOLT LOCK . . . . .	4
05	L52048	5/16"-18X1" BUTTON HD BOLT . . . . .	2	18	L71020	SLIDE PAD 4" x 6" . . . . .	2
06	651271	#8X3/8" RND HD MACH SCREW. . . . .	2	19	L61709	SLIDE PAD . . . . .	6
07	L50136	#10 LOCK WASHER . . . . .	2	20	654026	3/8" LOCK WASHER. . . . .	12
08	L65638	INCLINOMETER - ANGLE IND. . . . .	1	21	L62733	1/16"X3"X4" SHIM . . . . .	6
09	L520004	5/16"-18 NYLON INSERT NUT . . . . .	2	22	L62734	1/8"X3"X4" SHIM . . . . .	4
10	090666	3/8"-16 FLARE NUT . . . . .	2	23	L64132	3/8" PAD SPACER. . . . .	2
11	651625	3/8"-16X1-1/4" BOLT . . . . .	4	24	650491	3/8"-16X1-1/4" BOLT . . . . .	4
12	L70639	BOOM LIGHT BRACKET ( <i>left</i> ) . . . . .	1	25	L70635	BOOM LIGHT BRACKET ( <i>right</i> ) . . . . .	1

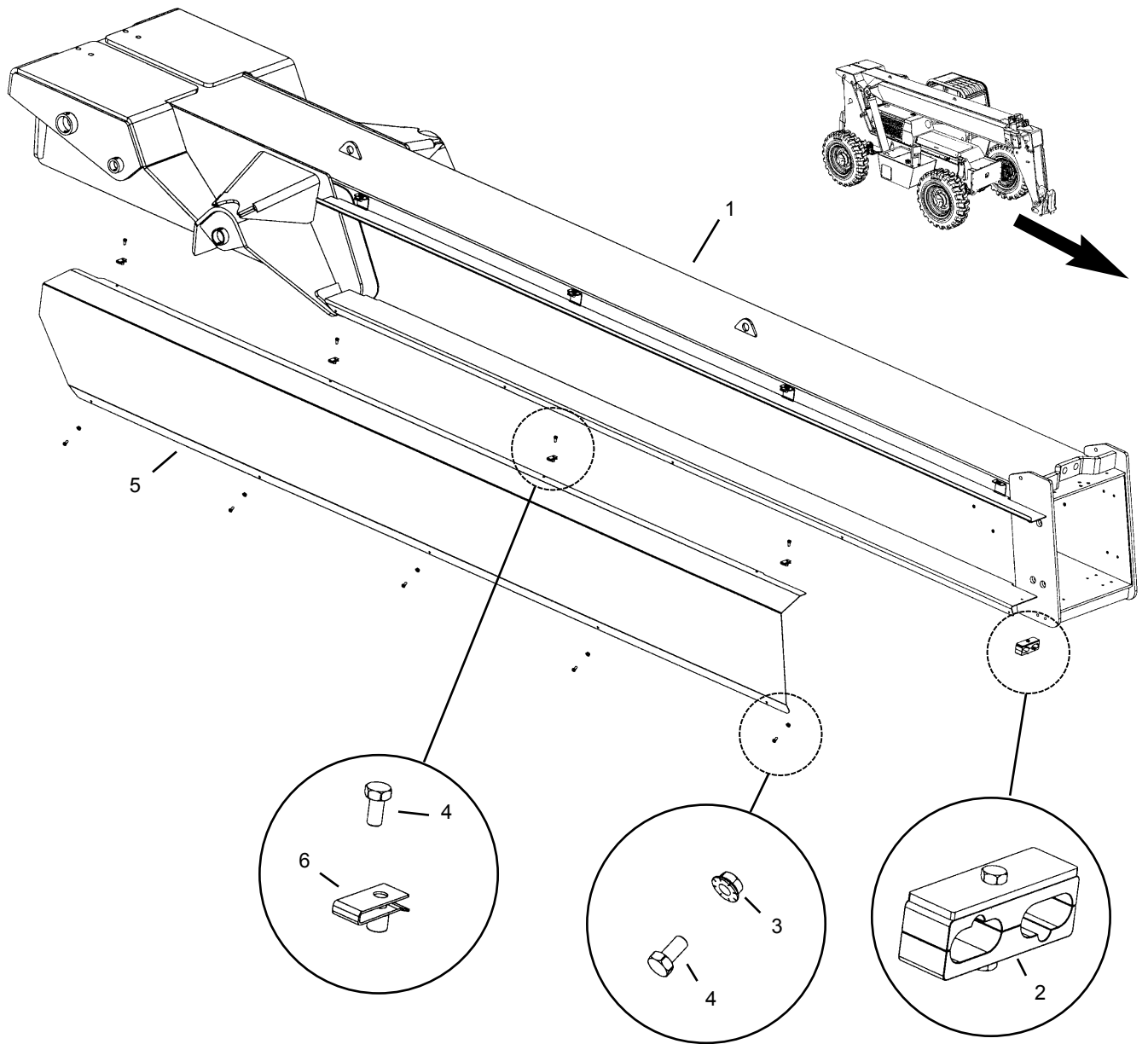
# Boom

# RS Series

## 3-Section Boom - Outer - Rear



Ref. No.	Part No.	Description	Qty. Req.	Ref. No.	Part No.	Description	Qty. Req.
01	102335	EXTEND CYLINDER, WELDMENT	1	10	L70420	SHIM, TRUNNION.....	1
02	650711	3/4"-10X3" BOLT GR8.....	8	11	L71165	SWITCH, PROXIMITY.....	1
03	L530004	5/16" FASTENER, RETAINED ....	4	12	L520019	1/2"-13 NYLON INSERT NUT ....	2
04	102710	COVER, REAR BOOM .....	1	13	210291	PIN, BOOM .....	2
05	650486	5/16"-18x3/4" BOLT .....	4	14	650744	1/2"-13X4" BOLT .....	2
06	L50608	PIN, COTTER 3/16"X4".....	2				
07	L400207	WASHER, THRUST .....	2				
08	L69994	PIN, ROD END .....	1				
09	L50519	3/4"-10 NYLON INSERT NUTS....	8				
						<b>-- ITEMS NOT SHOWN --</b>	
				--	270192	CLIP, SMALL WIRE.....	4
						(used with proximity switch wire)	




Ref. No.	Part No.	Description	Qty. Req.	Ref. No.	Part No.	Description	Qty. Req.
01	210434	OUTER BOOM WELDMENT . . . . . 1		05	105230	COVER, BOOM SIDE . . . . . 1	
	210123	3-section 42' boom			210459	3-section 44' boom	
		3-section 44' boom				3-section 42' boom	
02	L79167	CLAMP ASSEMBLY . . . . . 1		06	L530004	5/16" FASTENER, RETAINED . . . . 4	
03	L50056	5/16"-18 WHIZ LOCK NUT . . . . . 5					
04	650485	5/16"-18X5/8" BOLT . . . . . 9					

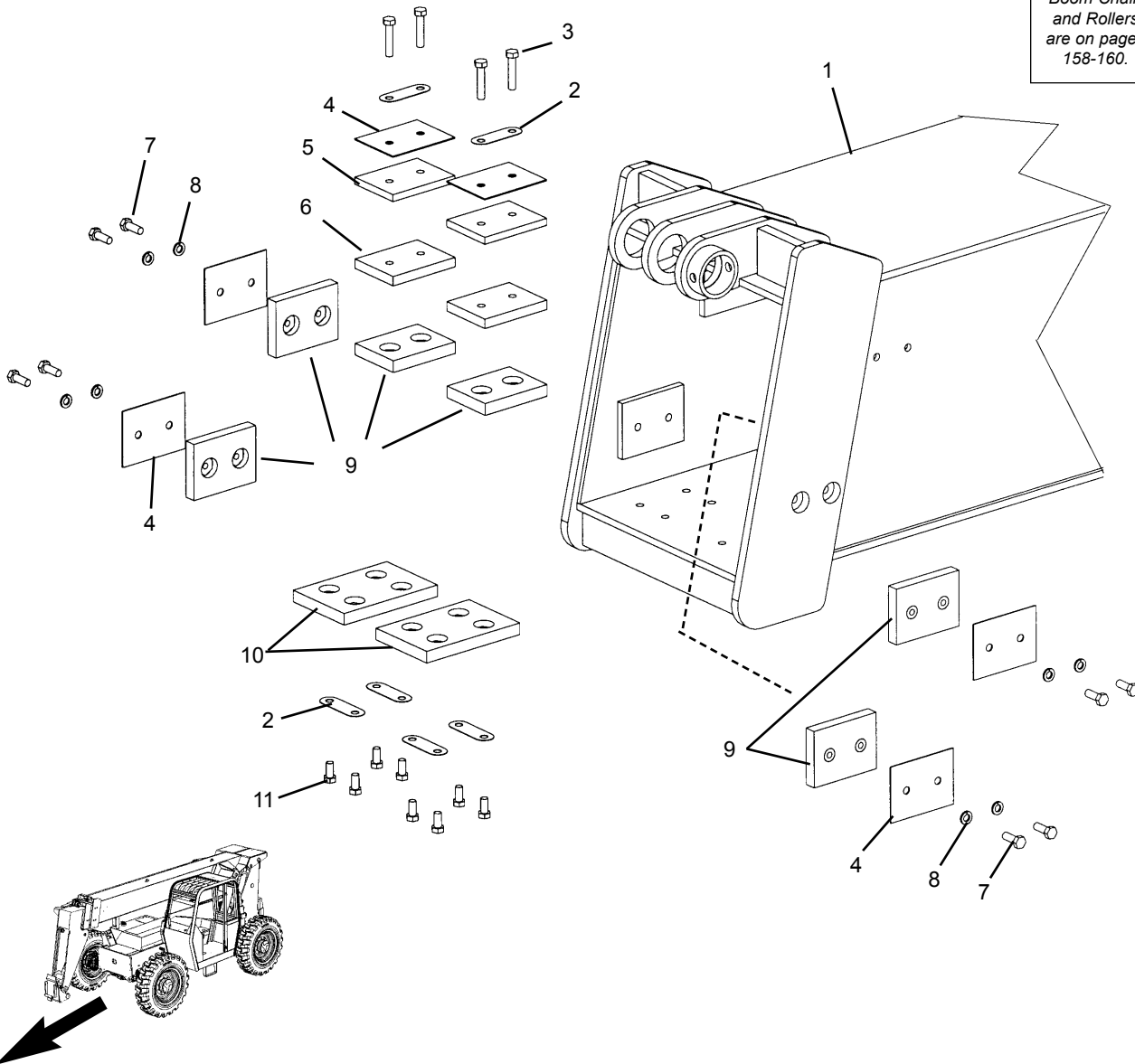
# Boom

# RS Series

## 3-Section Boom - Intermediate - Front

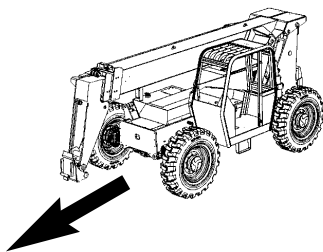
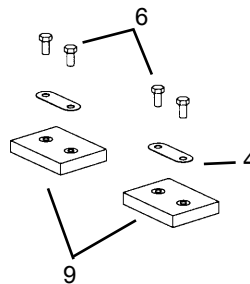
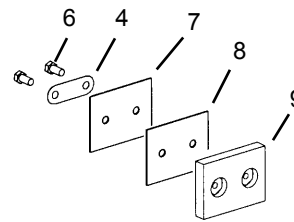
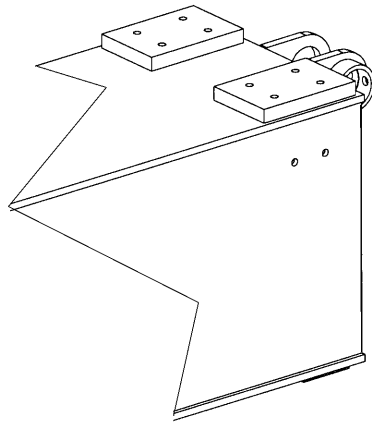
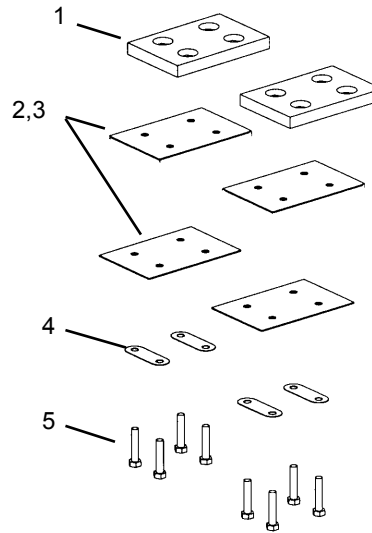
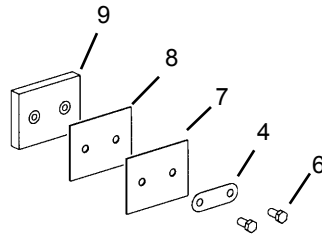
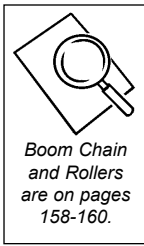


Boom Chain  
and Rollers  
are on pages  
158-160.



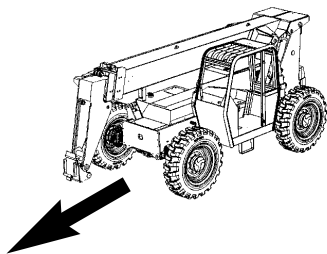
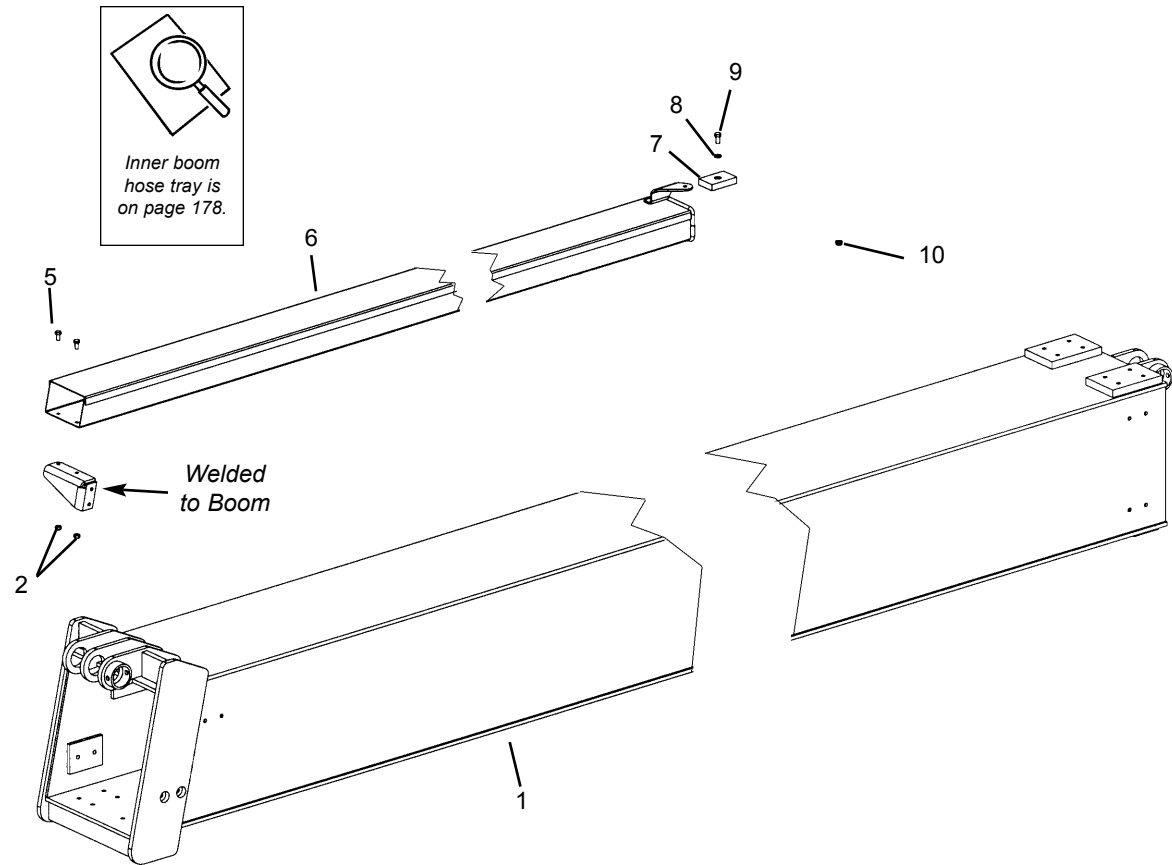
Ref. No.	Part No.	Description	Qty. Req.	Ref. No.	Part No.	Description	Qty. Req.
01		INTERMEDIATE BOOM.....	1	06	L64143	1/2"X3"X4" SHIM.....	2
	102282	3-section 42' boom		07	650490	3/8"-16X1" BOLT.....	8
	102285	3-section 44' boom		08	654026	3/8" LOCK WASHER.....	8
02	L62715	FLAT-BOLT LOCK.....	6	09	L61709	SLIDE PAD.....	6
03	650488	3/8"-16X1-1/2" BOLT.....	4	10	L71020	SLIDE PAD 4" x 6".....	2
04	L62733	1/16"X3"X4" SHIM.....	6	11	650488	3/8"-16X3/4" BOLT.....	8
05	L62734	1/8"X3"X4" SHIM.....	2				

## 3-Section Boom - Intermediate - Rear



Ref. No.	Part No.	Description	Qty. Req.	Ref. No.	Part No.	Description	Qty. Req.
01	L71020	SLIDE PAD 4" x 6" .....	2	06	650488	3/8"-16X3/4" BOLT .....	8
02	L62731	1/16"X4"X6" SHIM .....	AR	07	L62733	1/16"X3"X4" SHIM .....	2
03	L62732	1/8"X4"X6" SHIM .....	AR	08	L62734	1/8"X3"X4" SHIM .....	2
04	L62715	FLAT-BOLT LOCK .....	10	09	L61709	SLIDE PAD .....	4
05	650491	3/8"-16X1-1/4" BOLT .....	8				

## 3-Section Boom - Intermediate Hose Tray



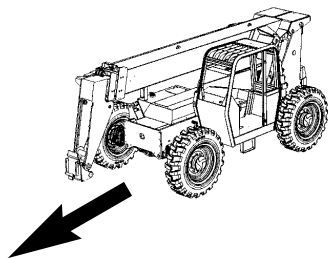
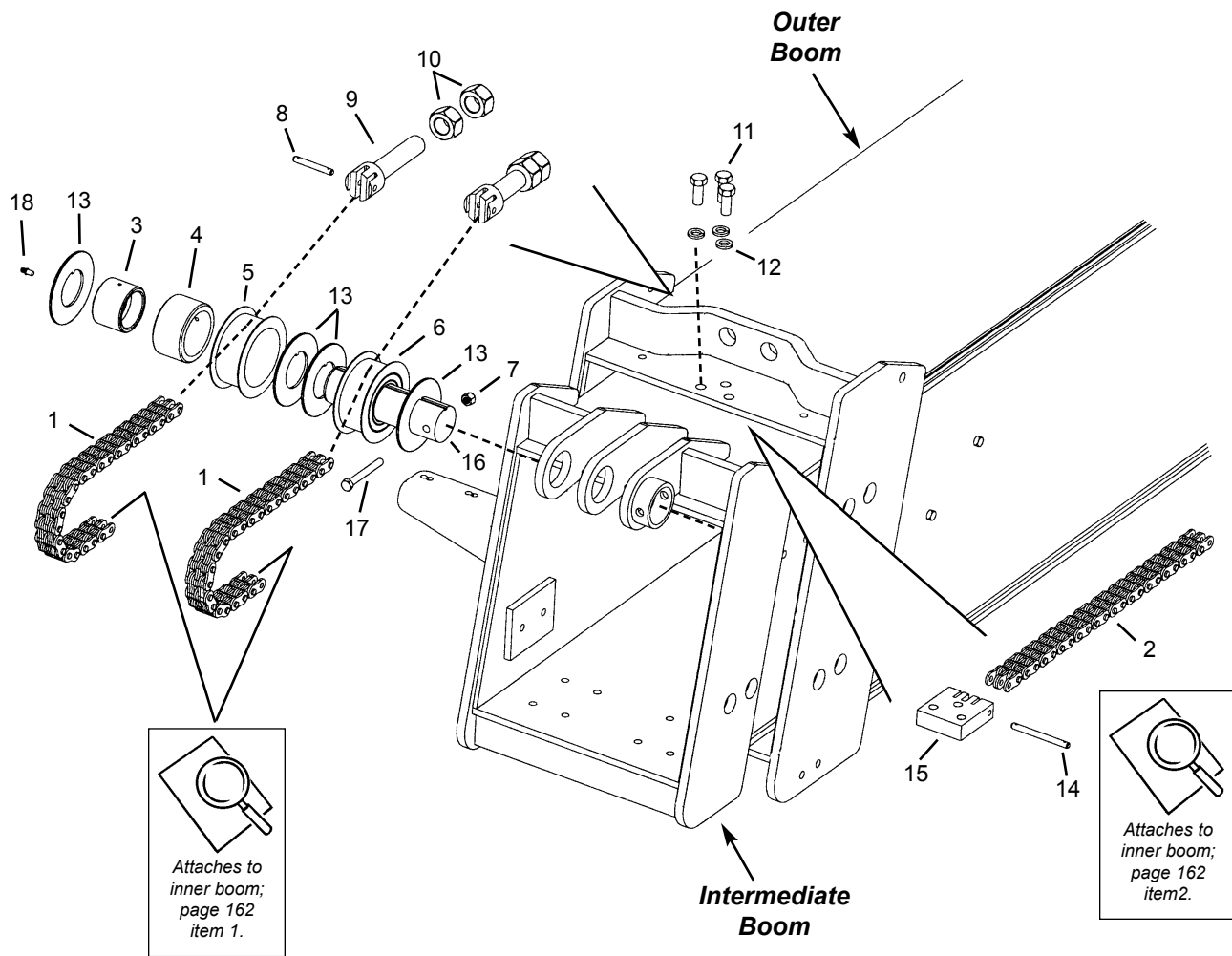
# Telescopic Handler

# Boom

## 3-Section Boom - Intermediate Hose Tray

Ref. No.	Part No.	Description	Qty. Req.	Ref. No.	Part No.	Description	Qty. Req.
01		INTERMEDIATE BOOM.....	1	07	L61699	2"X3"X1" SLIDE PAD.....	1
	102282	3-section 42' boom		08	654026	3/8" LOCK WASHER.....	1
	102285	3-section 44' boom		09	650488	3/8"-16X3/4" BOLT .....	1
02	L520004	5/16"-18 NYLON INSERT NUT....	2	10	L50056	5/16"-18 FLARE NUT .....	1
05	650485	5/16"-18X5/8" BOLT .....	4				
06		TRAY WELDMENT .....	1				
	210435	3-section 42' boom					
	105227	3-section 44' boom					

## 3-Section Boom - Chain and Rollers - Front





# Telescopic Handler

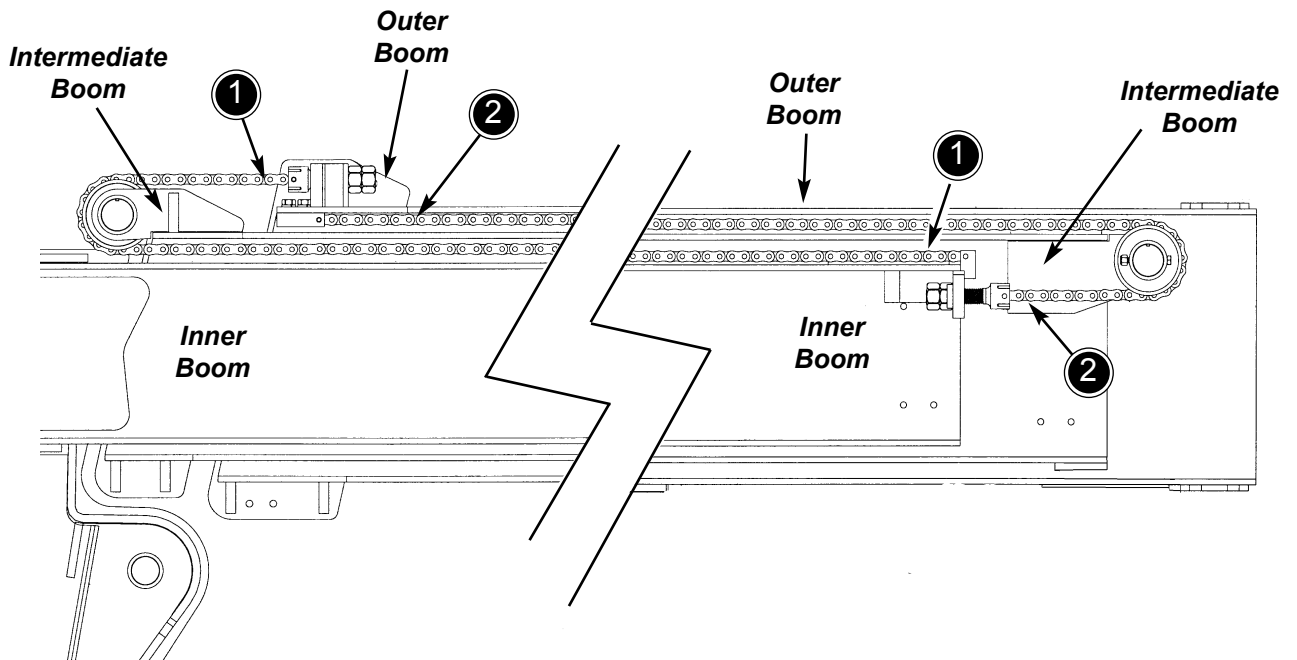
# Boom

## 3-Section Boom - Chain and Rollers - Front

Ref. No.	Part No.	Description	Qty. Req.	Ref. No.	Part No.	Description	Qty. Req.
01 <sup>a</sup>		LEAF CHAIN, BOOM . . . . .	2	10	L50092	1" NUT . . . . .	4
	102245	3-section 42' boom		11	L50380	1/2" X 1-1/4" BOLT GR8 . . . . .	3
	102246	3-section 44' boom		12	L50152	1/2" LOCK WASHER . . . . .	3
02 <sup>a</sup>		LEAF CHAIN, BOOM . . . . .	1	13	L71205	CHAIN SHEAVE WASHER . . . . .	4
	102245	3-section 42' boom		14	L64468	PIN, LEAF CHAIN . . . . .	1
	102246	3-section 44' boom			L560003	3/32"X1-1/4" COTTER PIN . . . . .	2
03	L49619	INNER RING . . . . .	2	15	L64384	CLEVIS, REMOVABLE . . . . .	1
04	L49618	ROLLER BEARING . . . . .	2	16	L71204	PIN, CHAIN SHEAVE . . . . .	1
05	L64360	CHAIN SHEAVE . . . . .	2	17	650818	3/8" X 3" BOLT . . . . .	1
06	NSS	CHAIN SHEAVE ASSEMBLY . . . . .	NA	18	L10465	GREASE ZERK . . . . .	1
		(order one of each: items 3-5)					
07	L520005	3/8" NYLON INSERT NUT . . . . .	1				
08	L64466	PIN, ADJUSTABLE CLEVIS . . . . .	2				
	L560003	3/32"X1-1/4" COTTER PIN . . . . .	4				
09	L64359	CLEVIS, ADJUSTABLE . . . . .	2				

a The three-section boom uses a total of three chains; for illustrative purposes the same chains are shown on this page and the next page. When ordering, be careful not to order duplicate quantities.

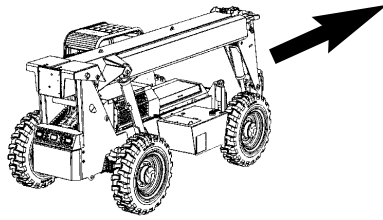
**Three-Section Boom**




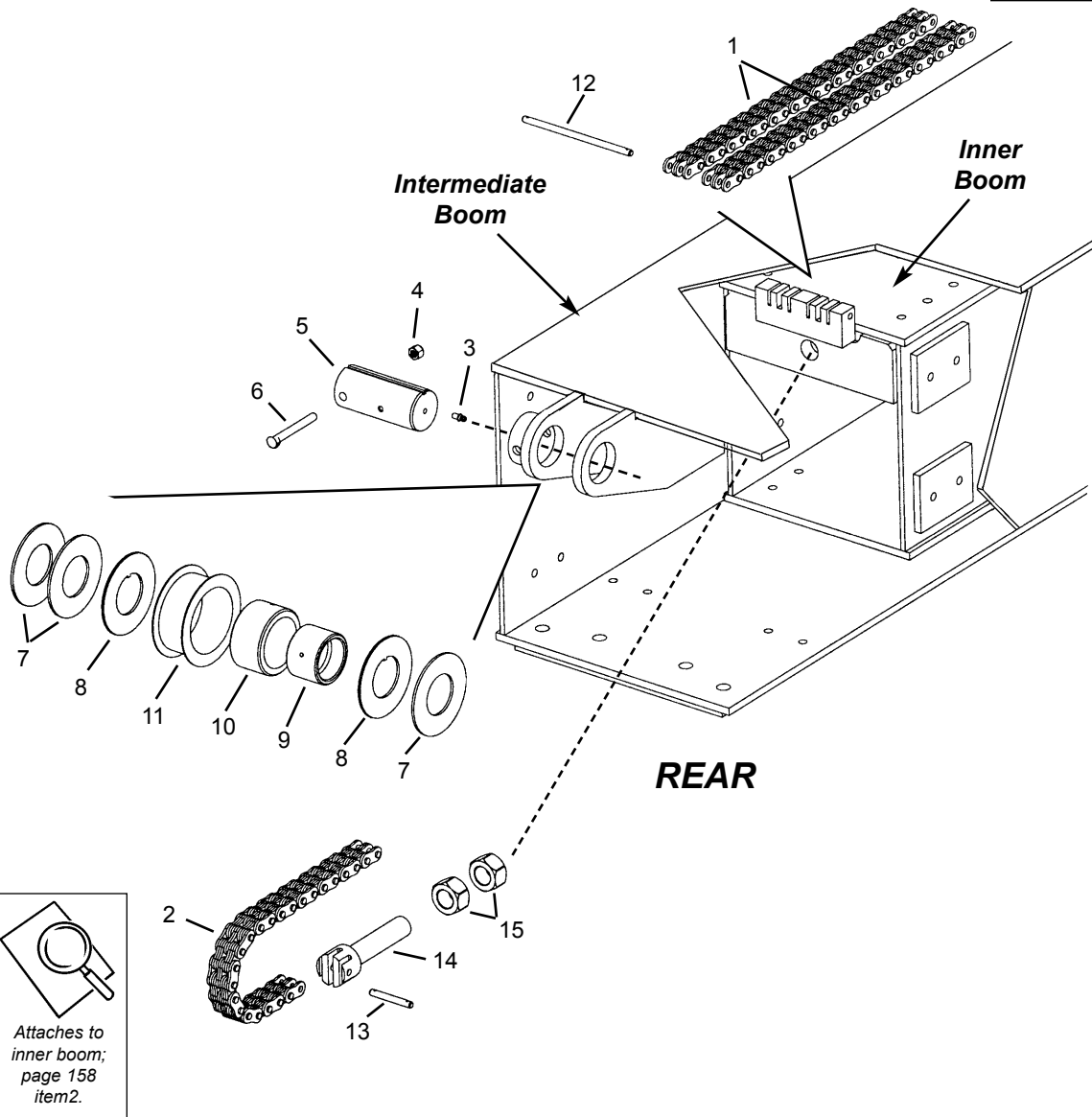
# Boom

# RS Series

## 3-Section Boom - Chain and Rollers - Rear



  
Attaches to  
inner boom;  
page 158  
item1.

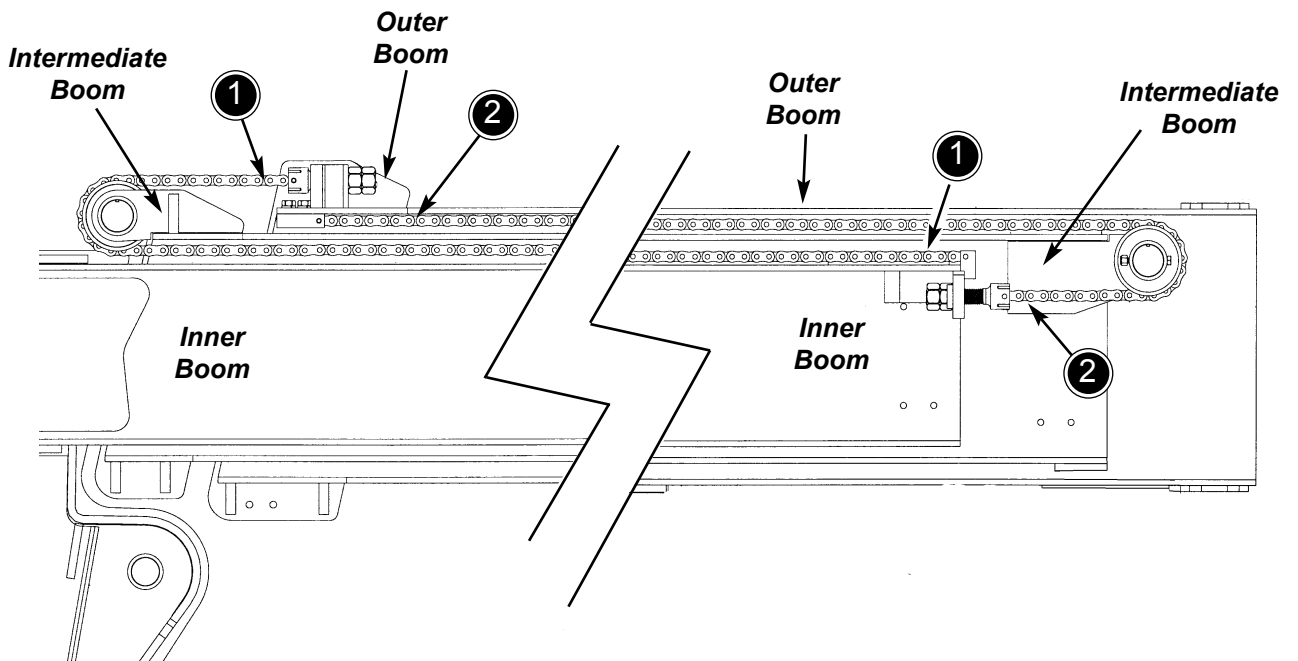


## 3-Section Boom - Chain and Rollers - Rear

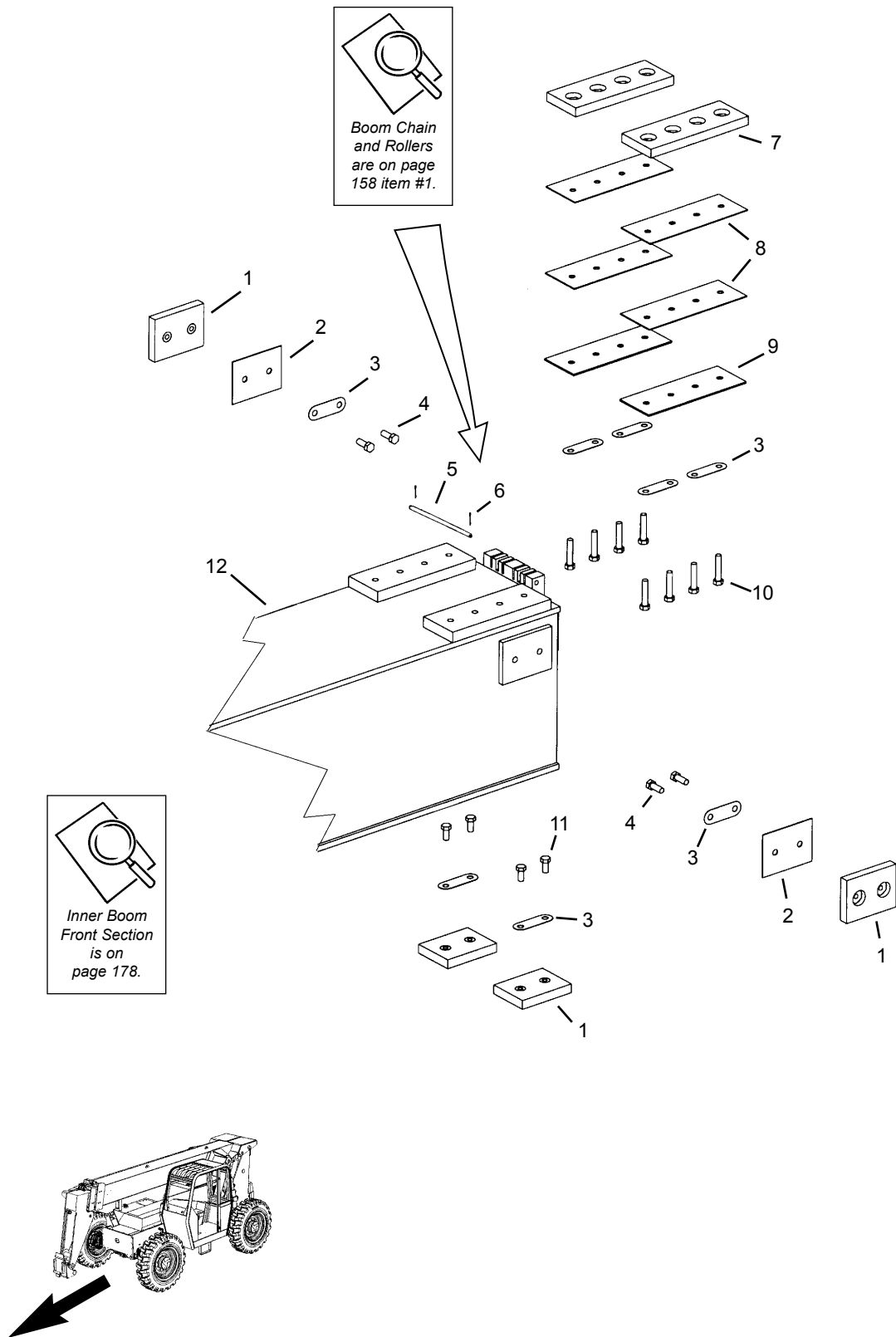
Ref. No.	Part No.	Description	Qty. Req.	Ref. No.	Part No.	Description	Qty. Req.
01 <sup>a</sup>		LEAF CHAIN, BOOM . . . . .	2	09	L49619	INNER RING . . . . .	1
	102245	3-section 42' boom		10	L49618	ROLLER BEARING . . . . .	1
	102246	3-section 44' boom		11	L64360	CHAIN SHEAVE . . . . .	1
02 <sup>a</sup>		LEAF CHAIN, BOOM . . . . .	1	12	L64467	PIN, FIXED CLEVIS . . . . .	1
	102245	3-section 42' boom			L560003	3/32X1-1/4 COTTER PIN . . . . .	2
	102246	3-section 44' boom		13	L64466	CLEVIS PIN . . . . .	1
03	L10465	1/4-28 ZERK, STR. . . . .	1	14	L64359	ADJUSTABLE CLEVIS . . . . .	1
04	L520005	3/8"-16 NYLON INSERT NUT . . . . .	1	15	L50092	1"-8 NUT . . . . .	2
05	L71206	PIN, SHEAVE . . . . .	1				
06	650818	3/8"-16X3 BOLT . . . . .	1				
07	L400207	THRUST WASHER . . . . .	3				
08	L71205	CHAIN SHEAVE WASHER . . . . .	2				

a The three-section boom uses a total of three chains; for illustrative purposes the same chains are shown on this page and the previous page. When ordering, be careful not to order duplicate quantities.

**Three-Section Boom**



## 3-Section Inner Boom - Rear



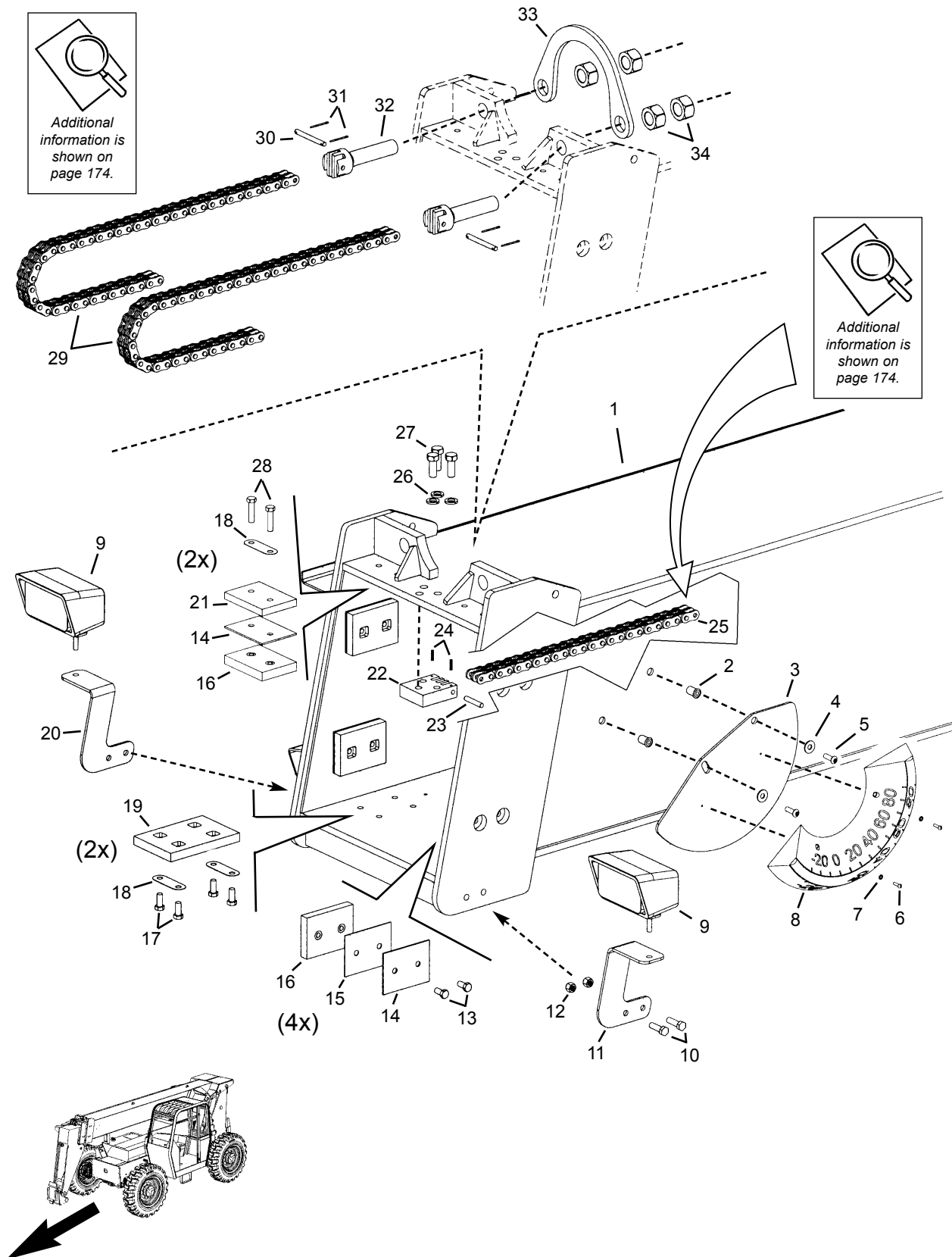
# Telescopic Handler

# Boom

## 3-Section Inner Boom - Rear

Ref. No.	Part No.	Description	Qty. Req.	Ref. No.	Part No.	Description	Qty. Req.
01	L61709	SLIDE PAD .....	4	07	L66780	SLIDE PAD .....	2
02	L62733	0.06"X3X4" SHIM .....	2	08	L66782	0.06"X3"X8" SHIM.....	4
03	L62715	FLAT-BOLT LOCK.....	8	09	L66783	0.105"X3"X8" SHIM.....	2
04	L50367	3/8"X1" BOLT.....	4	10	L50261	3/8"X1-1/2" BOLT .....	8
05	L64467	PIN, CHAIN REAR LOW INNER... 1		11	L50251	3/8"X3/4" BOLT .....	4
06	L560003	3/32"X1-1/4" COTTER PIN .....	2	12		INNER BOOM WELDMENT .....	1
					102283	3-section 42' boom	
					102286	3-section 44' boom	

## 4-Section Boom - Outer - Front

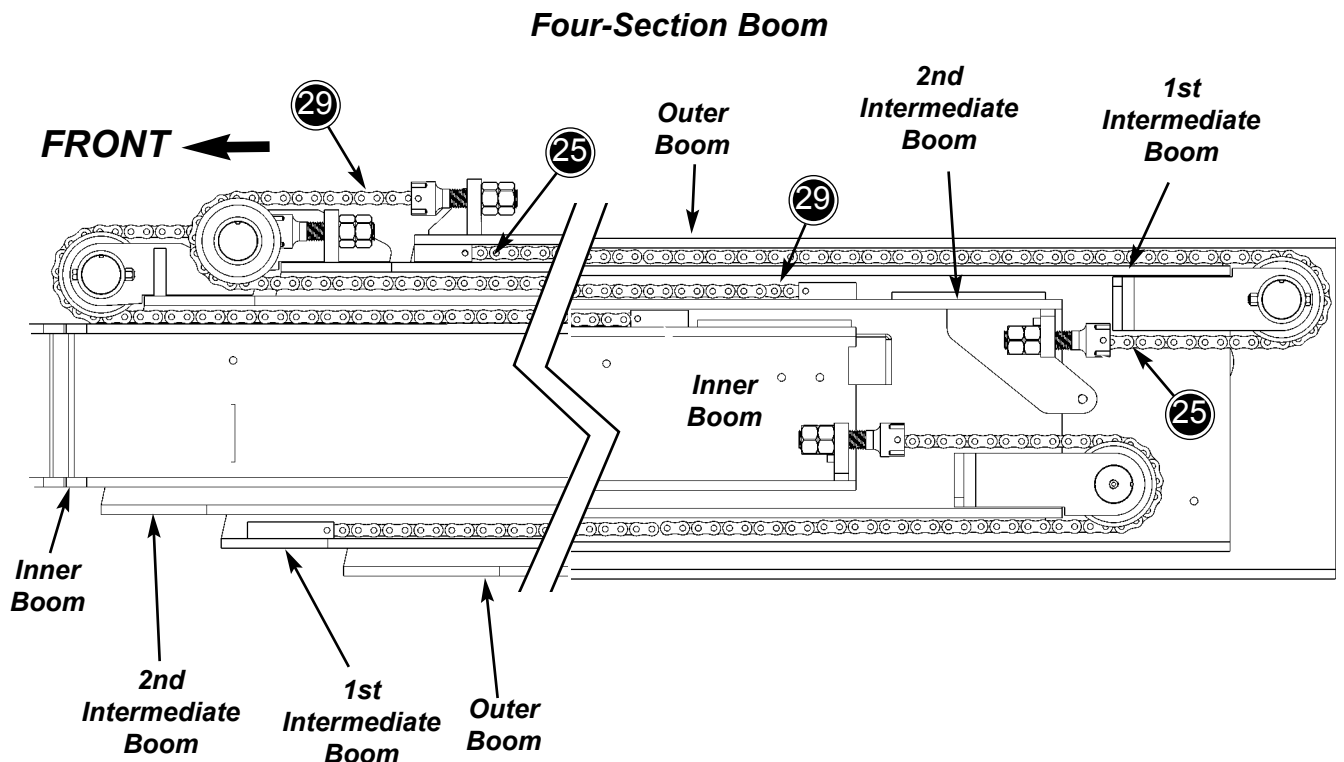


## 4-Section Boom - Outer - Front

Ref. No.	Part No.	Description	Qty. Req.	Ref. No.	Part No.	Description	Qty. Req.
01	210522	OUTER BOOM WELDMENT . . . . .	1	20	L70635	BOOM LIGHT BRACKET ( <i>right</i> ) . . .	1
02	L70242	5/16"-18 NUT INSERT . . . . .	2	21	L64143	SPACER, 1/2"X3"X4" . . . . .	2
03	L65640	BOOM ANGLE IND. PLATE . . . . .	1	22	L71004	CLEVIS, FIXED . . . . .	1
04	650810	5/16" FLAT WASHER . . . . .	2	23	L71005	PIN, FIXED CLEVIS CHAIN . . . . .	1
05	L52048	5/16"-18X1" BUTTON HD BOLT . . .	2	24	L71021	#10-24X3/4" SET SCREW . . . . .	2
06	651271	#8X3/8" RND HD MACH SCREW . . .	2	25 <sup>a</sup>	L71001	CHAIN, LEAF ( <i>retract</i> ) . . . . .	1
07	L50136	#10 LOCK WASHER . . . . .	2	26	654030	1/2" LOCK WASHER . . . . .	3
08	L65638	INCLINOMETER - ANGLE IND. . . . .	1	27	L50380	1/2-20X1-1/4" GRD 8 BOLT . . . . .	3
09	L70040	WORK LIGHT . . . . .	2	28	650533	3/8"X1-1/2" BOLT . . . . .	4
10	650491	3/8"-16X1-1/4" BOLT . . . . .	4	29 <sup>a</sup>	L71000	CHAIN, LEAF ( <i>extend</i> ) . . . . .	2
11	L70639	BOOM LIGHT BRACKET ( <i>left</i> ) . . . .	1	30	L71007	PIN, ADJUSTABLE CLEVIS . . . . .	2
12	L520005	3/8"-16 NYLON INSERT NUT . . . . .	4	31	L560003	3/32X1-1/4" COTTER PIN . . . . .	2
13	650488	3/8"-16X3/4" BOLT . . . . .	16	32	L71006	CLEVIS, ADJUSTABLE . . . . .	2
14	L62734	1/8"X3"X4" SHIM . . . . .	6	33	L70972	RETAINER, EXTEND CYL . . . . .	1
15	L62733	1/16"X3"X4" SHIM . . . . .	4	34	L50092	NUT, ADJUSTABLE CLEVIS . . . . .	AR
16	L61709	SLIDE PAD, 3"X4" . . . . .	6				
17	L510007	3/8"X7/8" BOLT . . . . .	8				
18	L62715	FLAT-BOLT LOCK . . . . .	6				
19	L71020	SLIDE PAD, 4"X6" . . . . .	2				



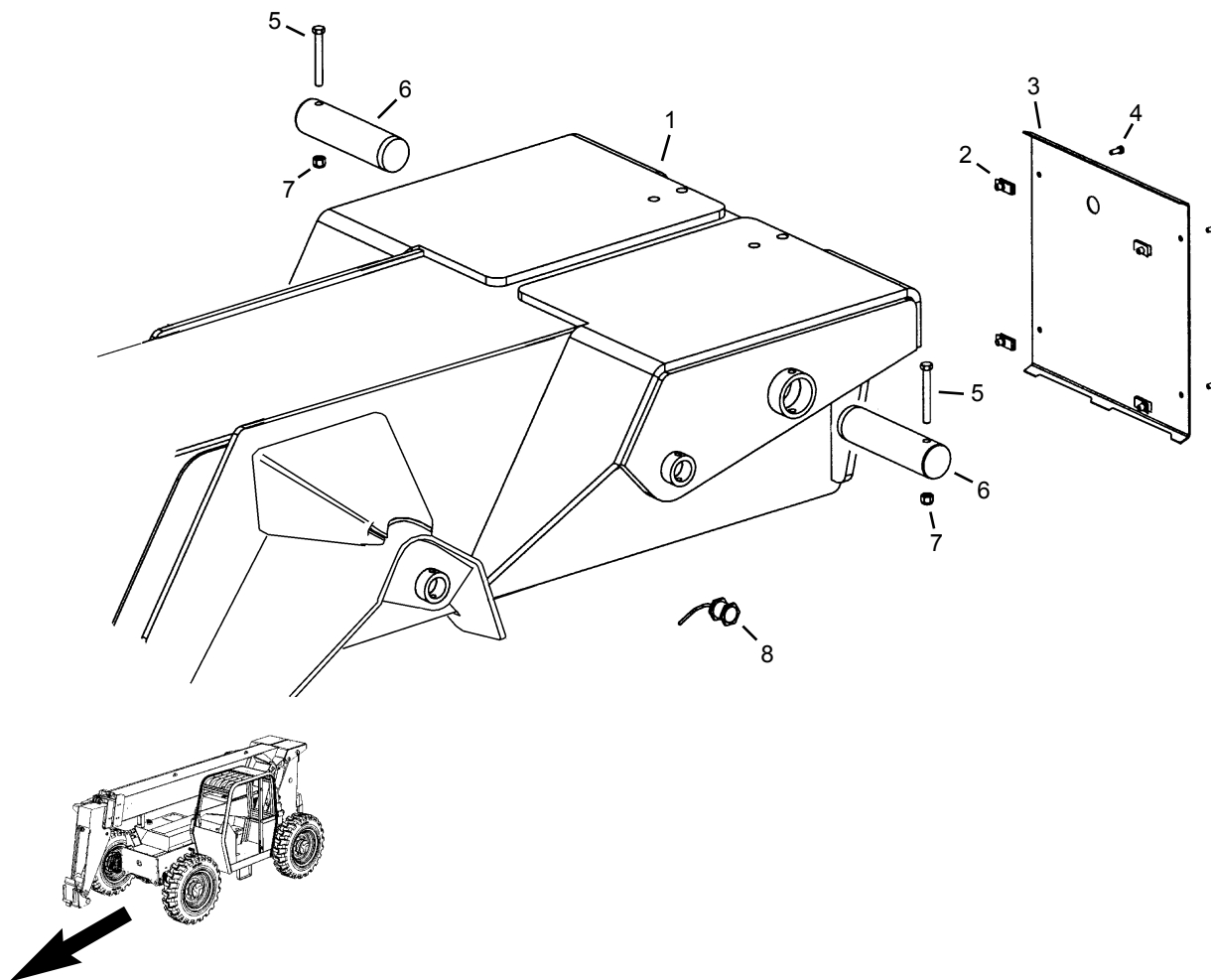
**NOTE:** This parts manual shows the same chain(s) on multiple pages. Before ordering chains, refer to the illustration below to avoid ordering the incorrect chain(s) or the incorrect quantities.



# Boom

# RS Series

## 4-Section Boom - Outer - Rear



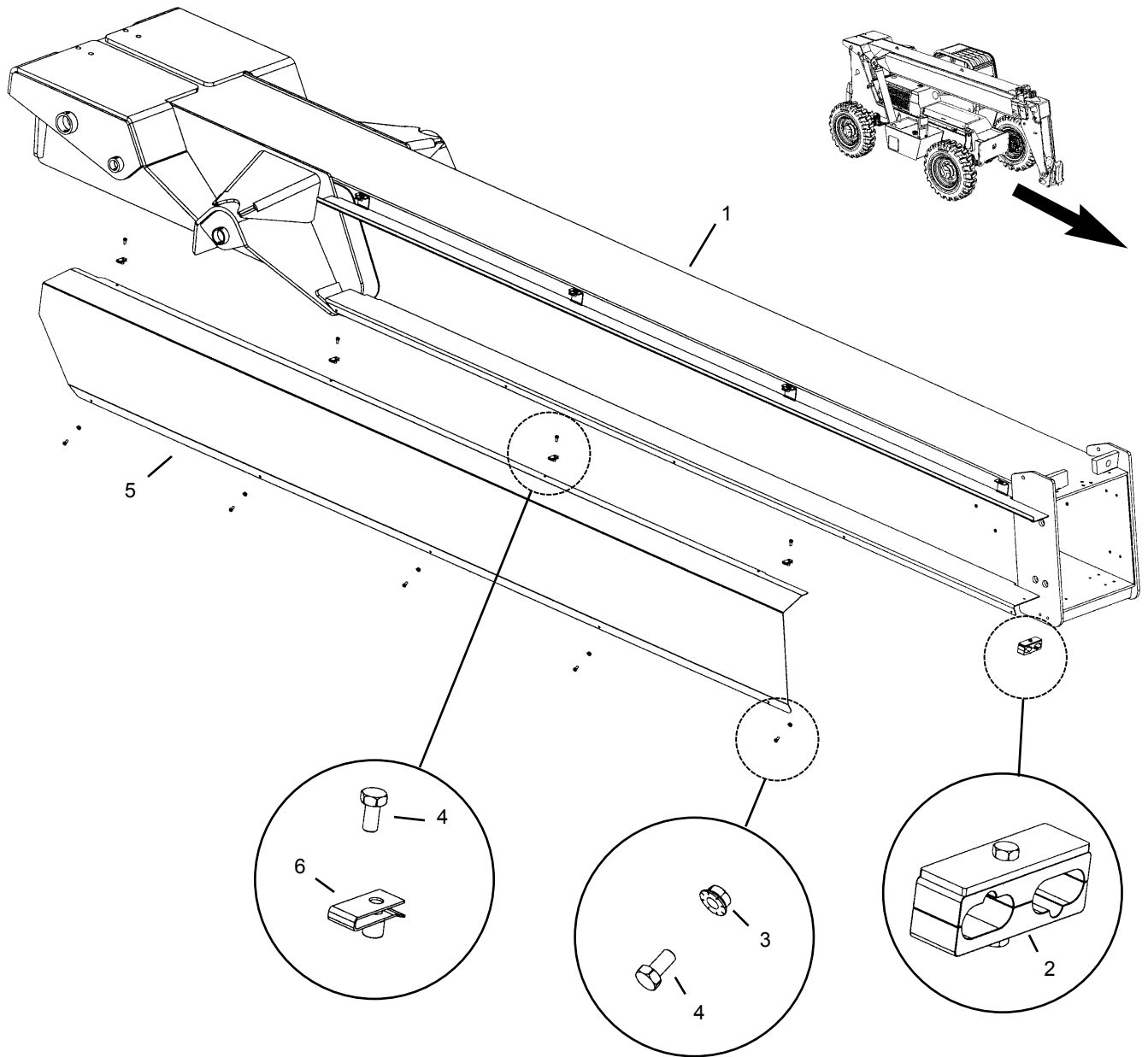
Ref. No.	Part No.	Description	Qty. Req.	Ref. No.	Part No.	Description	Qty. Req.
01	210522	OUTER BOOM .....	1	05	650744	1/2"-13X4" BOLT .....	2
02	L530004	5/16" RETAINER CLIP .....	4	06	210291	PIN, BOOM .....	2
03	210352	COVER, REAR BOOM .....	1	07	L520019	1/2"-13 NYLON INSERT NUT .....	2
04	650486	5/16"-18x3/4" BOLT .....	4	08	L71165	SWITCH, PROXIMITY .....	1



# Telescopic Handler

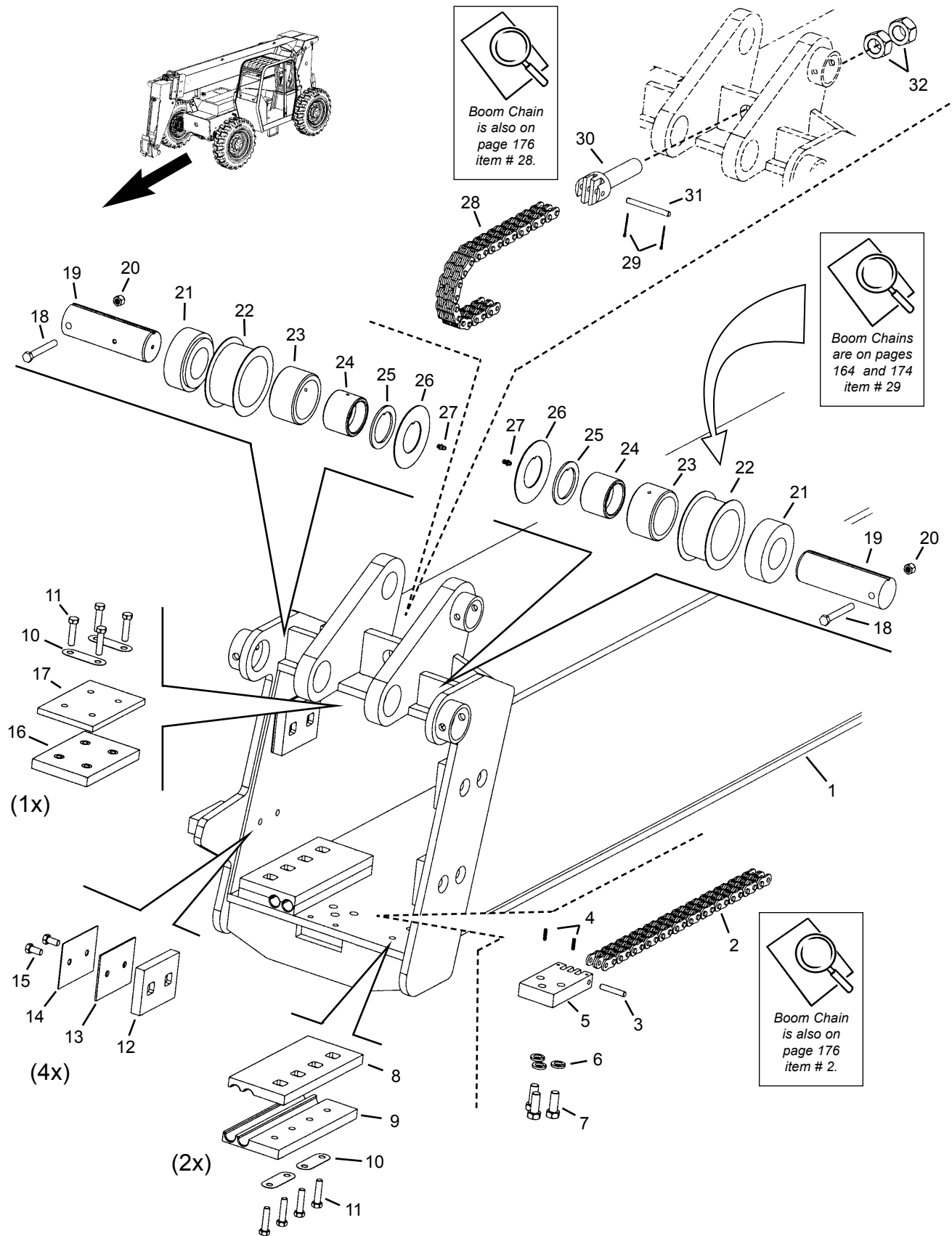
# Boom

## 4-Section Boom - Outer Side Cover



Ref. No.	Part No.	Description	Qty. Req.	Ref. No.	Part No.	Description	Qty. Req.
01	210522	OUTER BOOM WELDMENT	1	04	650485	5/16"-18X5/8" BOLT	8
02	L79167	CLAMP ASSEMBLY	1	05	105230	COVER, BOOM SIDE	1
03	L50056	5/16"-18 WHIZ LOCK NUT	4	06	L530004	5/16" FASTENER, RETAINED	4


## 4-Section Boom - 1st Intermediate - Front



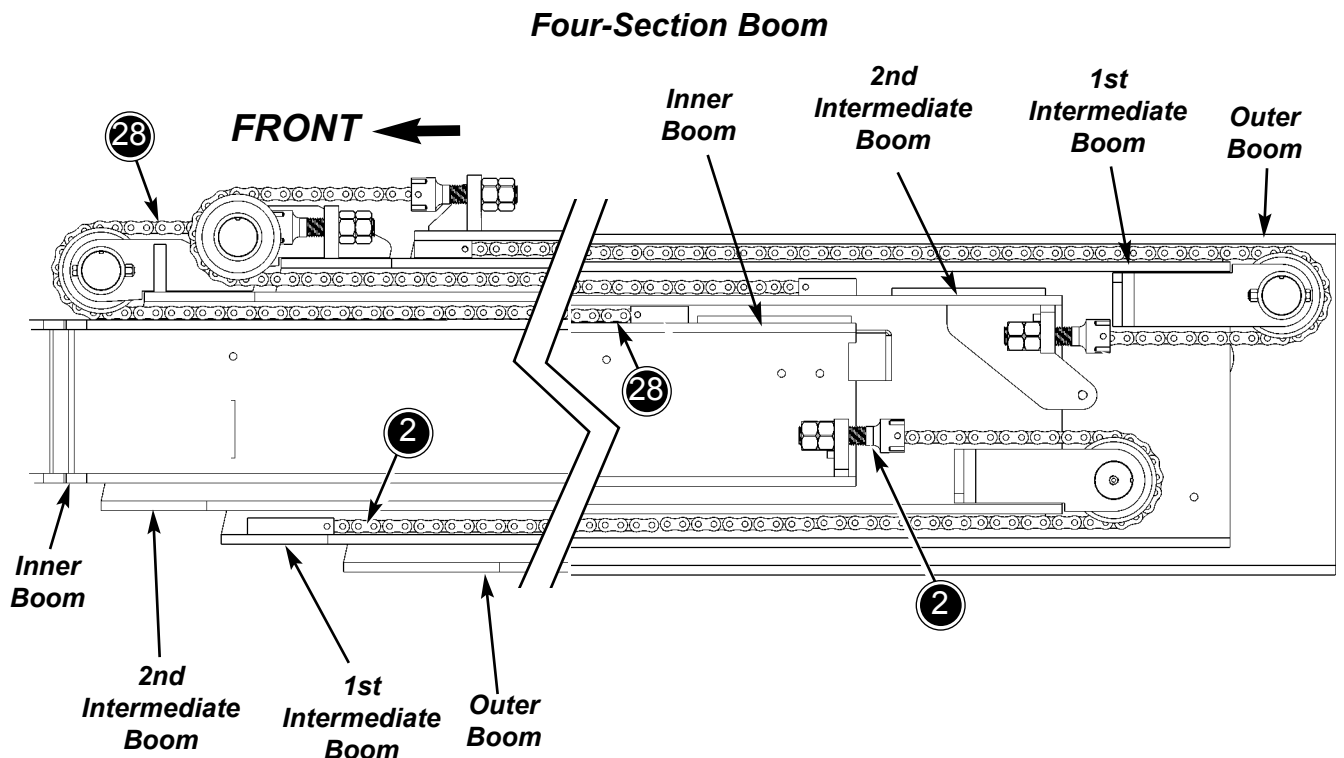
## 4-Section Boom - 1st Intermediate - Front

Ref. No.	Part No.	Description	Qty. Req.	Ref. No.	Part No.	Description	Qty. Req.
01	L70895	1ST-INTERMEDIATE BOOM. ....	1	20	L520005	3/8" NYLON INSERT NUT .....	2
02 <sup>ab</sup>	L71001	LEAF CHAIN ( <i>retract</i> ) .....	1	21	L71017	SHEAVE SPACER.....	2
03	L71005	FIXED CHAIN PIN. ....	1	22	L71008	CHAIN SHEAVE .....	2
04	L71021	#10-24X3/4" SET SCREW .....	2	23	L49618	ROLLER BEARING.....	2
05	101028	FIXED CLEVIS .....	1	24	L49619	INNER RING .....	2
06	654030	1/2" LOCK WASHER. ....	3	25	L71245	SPACER .....	2
07	L50380	1/2"-20X1-1/4" BOLT GR8.....	3	26	L71214	THRUST WASHER.....	2
08	210760	SLIDE PAD W/CLAMP .....	2	27	570019	GREASE ZERK, STR. 1/4"-28 ....	2
09	210759	SPACER PAD W/CLAMP .....	2	28 <sup>a</sup>	101212	LEAF CHAIN ( <i>extend</i> ).....	1
10	L62715	BOLT FLAT LOCK .....	6	29	L560003	3/32"X1-1/4" COTTER PIN .....	2
11	650533	3/8"-16X1"-1/2 BOLT .....	12	30	L71006	ADJUSTABLE CLEVIS .....	1
12	L61709	SLIDE PAD 3"X4" .....	4	31	L71007	CHAIN PIN .....	1
13	L62734	SHIM 0.105"X3"X4" .....	4	32	L50092	HEX NUT 1"-8 .....	2
14	L62733	SHIM 0.06"X3"X4" .....	4				
15	650488	3/8"X3/4" BOLT .....	8				
16	L71020	TOP SLIDE PAD 4X6 .....	1				
17	L64133	SPACER 3/8"X4"X6" .....	1				
18	650818	3/8"-16X3" BOLT .....	2				
19	L71212	SHEAVE PIN .....	2				

**a**



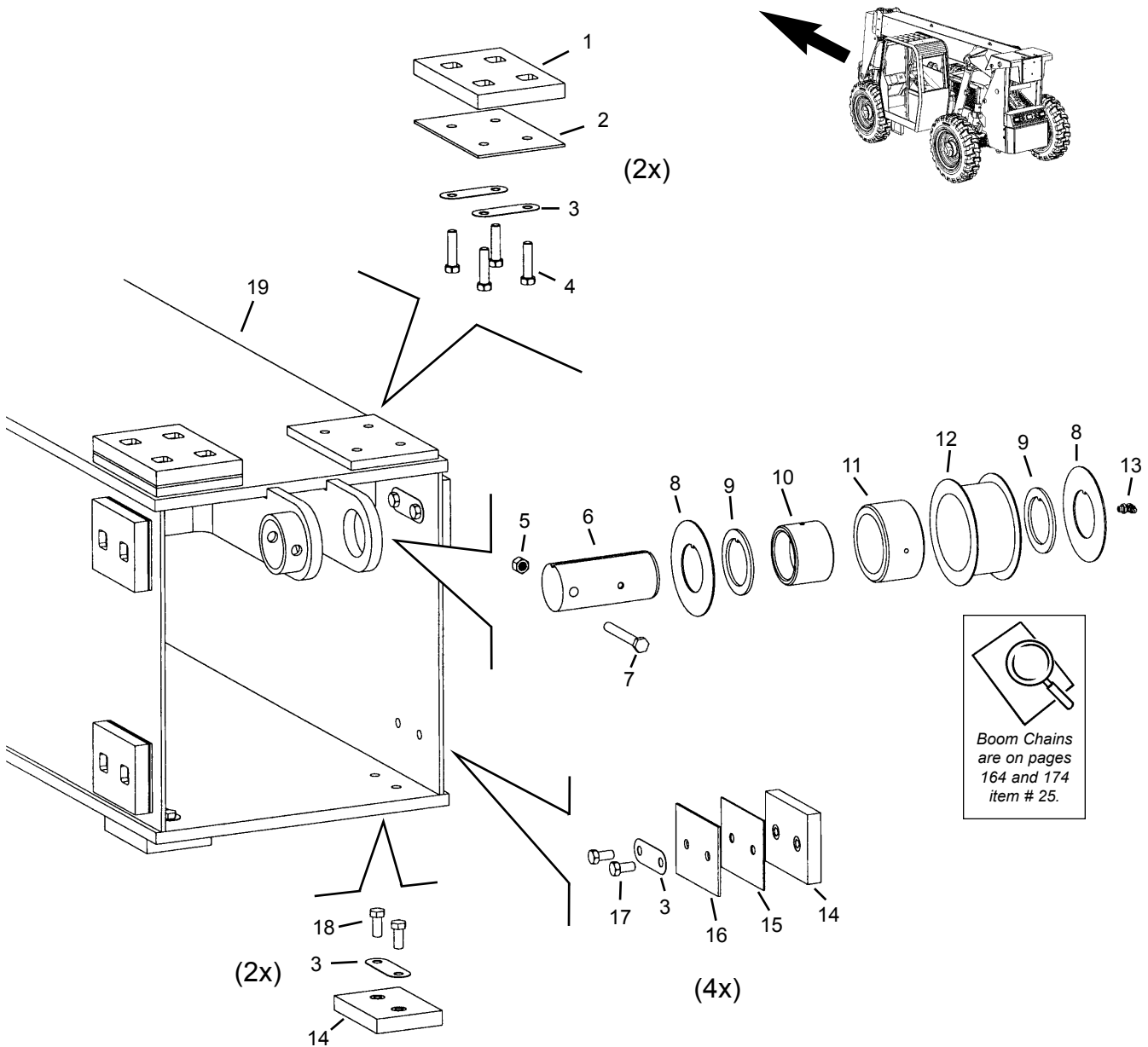
**NOTE:** This parts manual shows the same chain(s) on multiple pages. Before ordering chains, refer to the illustration below to avoid ordering the incorrect chain(s) or the incorrect quantities.



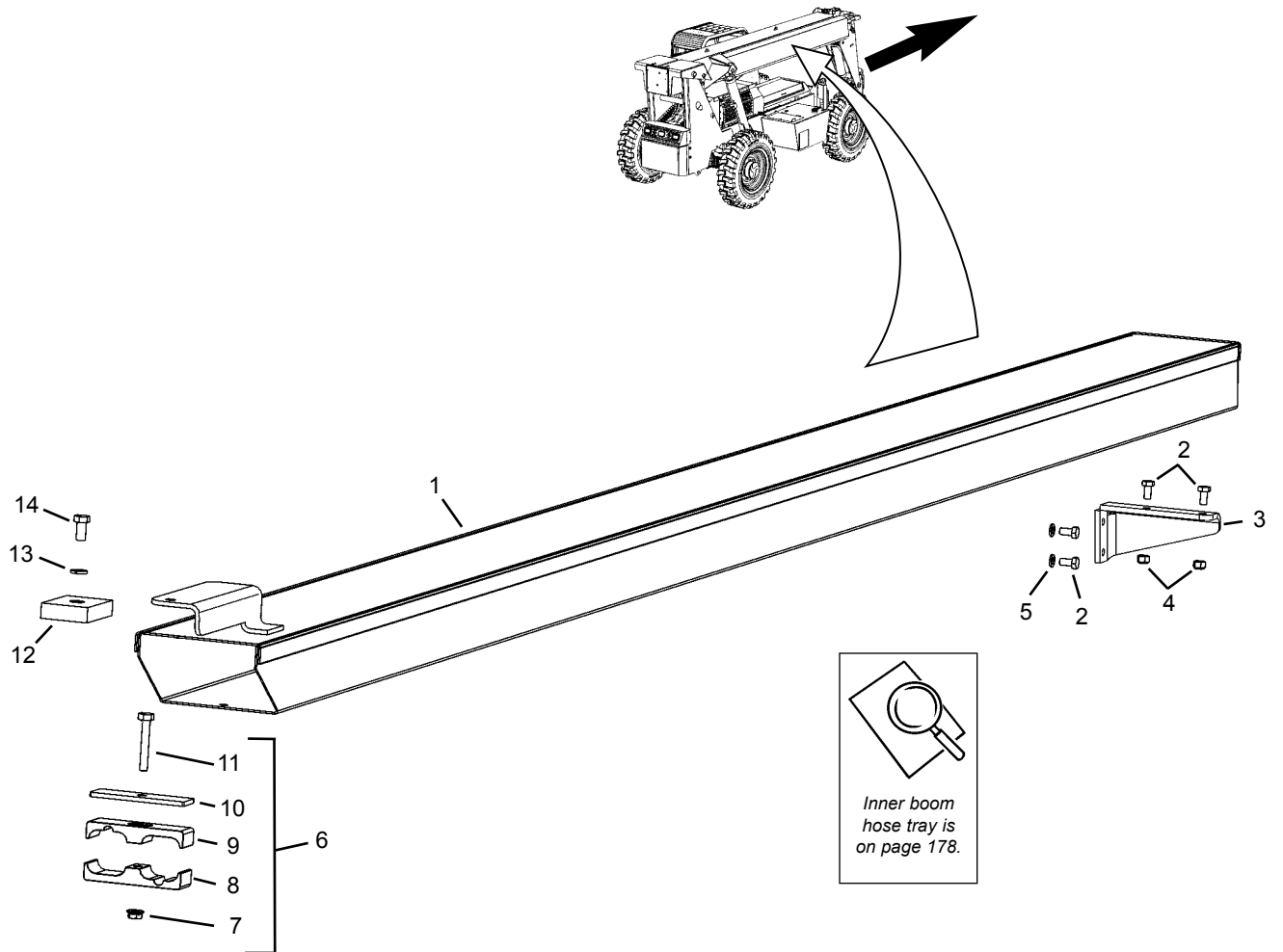
# Boom

# RS Series

## 4-Section Boom - 1st Intermediate - Rear




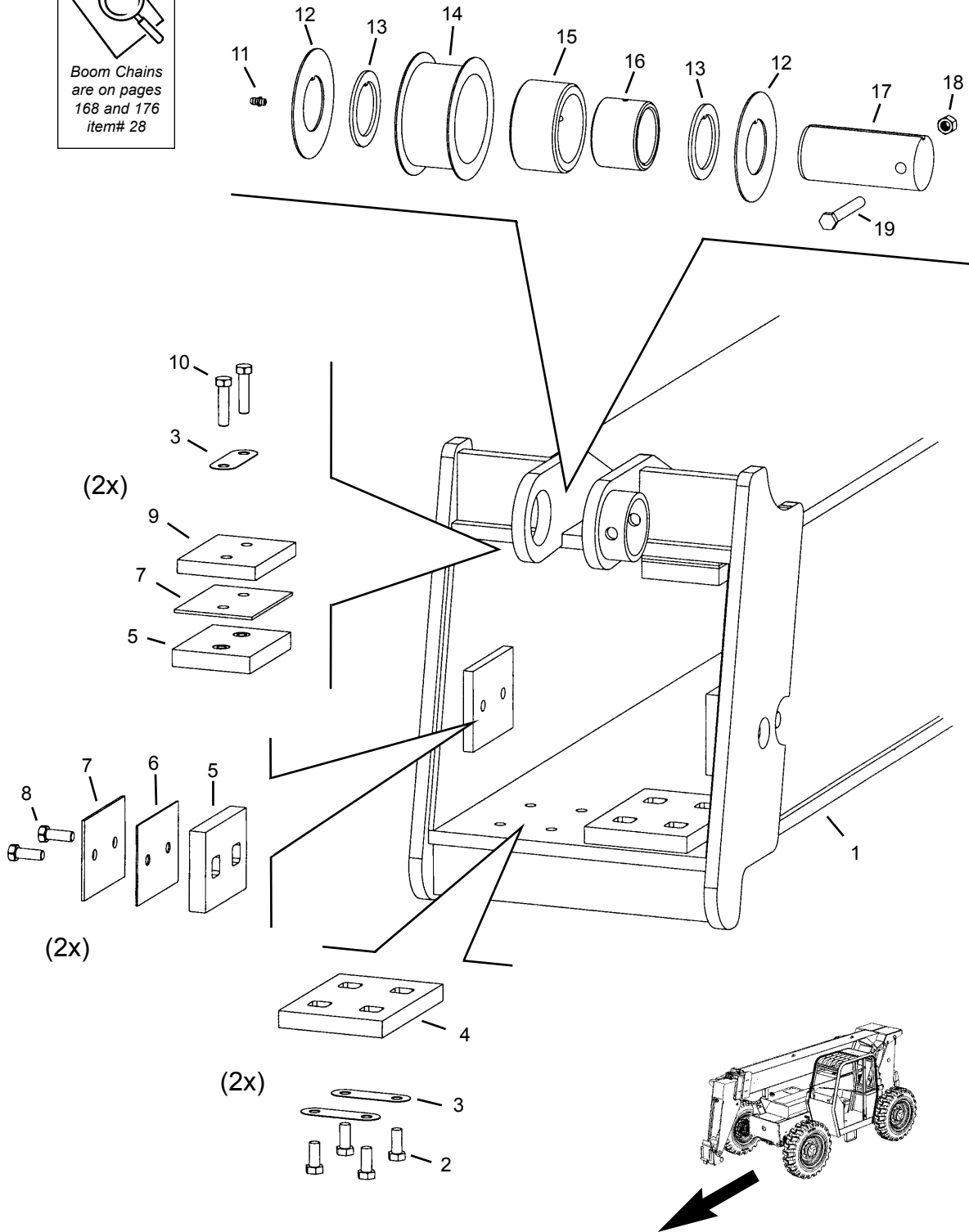
Ref. No.	Part No.	Description	Qty. Req.	Ref. No.	Part No.	Description	Qty. Req.
01	L71020	TOP SLIDE PAD 4"X6" . . . . .	1	11	L49618	ROLLER BEARING . . . . .	1
02	L62732	SHIM 1/8"X4"X6" . . . . .	1	12	L71008	CHAIN SHEAVE . . . . .	1
03	L62715	BOLT FLAT LOCK . . . . .	10	13	076002	GREASE ZERK 90° . . . . .	1
04	650533	3/8"-16X1"-1/2 BOLT . . . . .	8	14	L61709	SLIDE PAD 3"X4" . . . . .	6
05	L520005	3/8" NYLON INSERT NUT . . . . .	2	15	L62733	SHIM 0.06"X3"X4" . . . . .	4
06	L71206	SHEAVE PIN, REAR . . . . .	1	16	L62734	SHIM 0.105"X3"X4" . . . . .	4
07	650818	3/8"-16X3" BOLT . . . . .	2	17	650488	3/8"X3/4" BOLT . . . . .	8
08	L71214	THRUST WASHER . . . . .	2	18	L510007	3/8"X7/8" BOLT . . . . .	4
09	L71245	SPACER . . . . .	2	19	L70895	1ST-INTERMEDIATE BOOM. . . . .	1
10	L49619	INNER RING . . . . .	1				



Ref. No.	Part No.	Description	Qty. Req.	Ref. No.	Part No.	Description	Qty. Req.
01	L70963	HOSE TRAY, INTERMEDIATE . . . .	1	08	L71747	CLAMP W/INSERT . . . . .	1
02	650485	CS 5/16x5/8" C5ZY . . . . .	4	09	L71705	CLAMP . . . . .	1
03	L69524	BRACKET, INTERMEDIATE TRAY .	1	10	L71748	PLATE, CLAMP TOP. . . . .	1
04	L520004	LN INST 5/16-18 . . . . .	2	11	L51035	CS 5/16"-18x2" C5ZY . . . . .	1
05	654024	LW 5/16" . . . . .	2	12	L61699	PAD, SLIDE. . . . .	1
06	L79167	HOSE RETAINER ASSEMBLY . . . .	1	13	654026	LW 3/8" RZY . . . . .	1
		(includes items 7-11)		14	650488	CS 3/8"x3/4" C5ZY . . . . .	1
07	L50056	FL LN 5/16"-18 . . . . .	1				

## 4-Section Boom - 2nd Intermediate - Front

  
Boom Chains  
are on pages  
168 and 176  
item# 28



# Telescopic Handler

# Boom

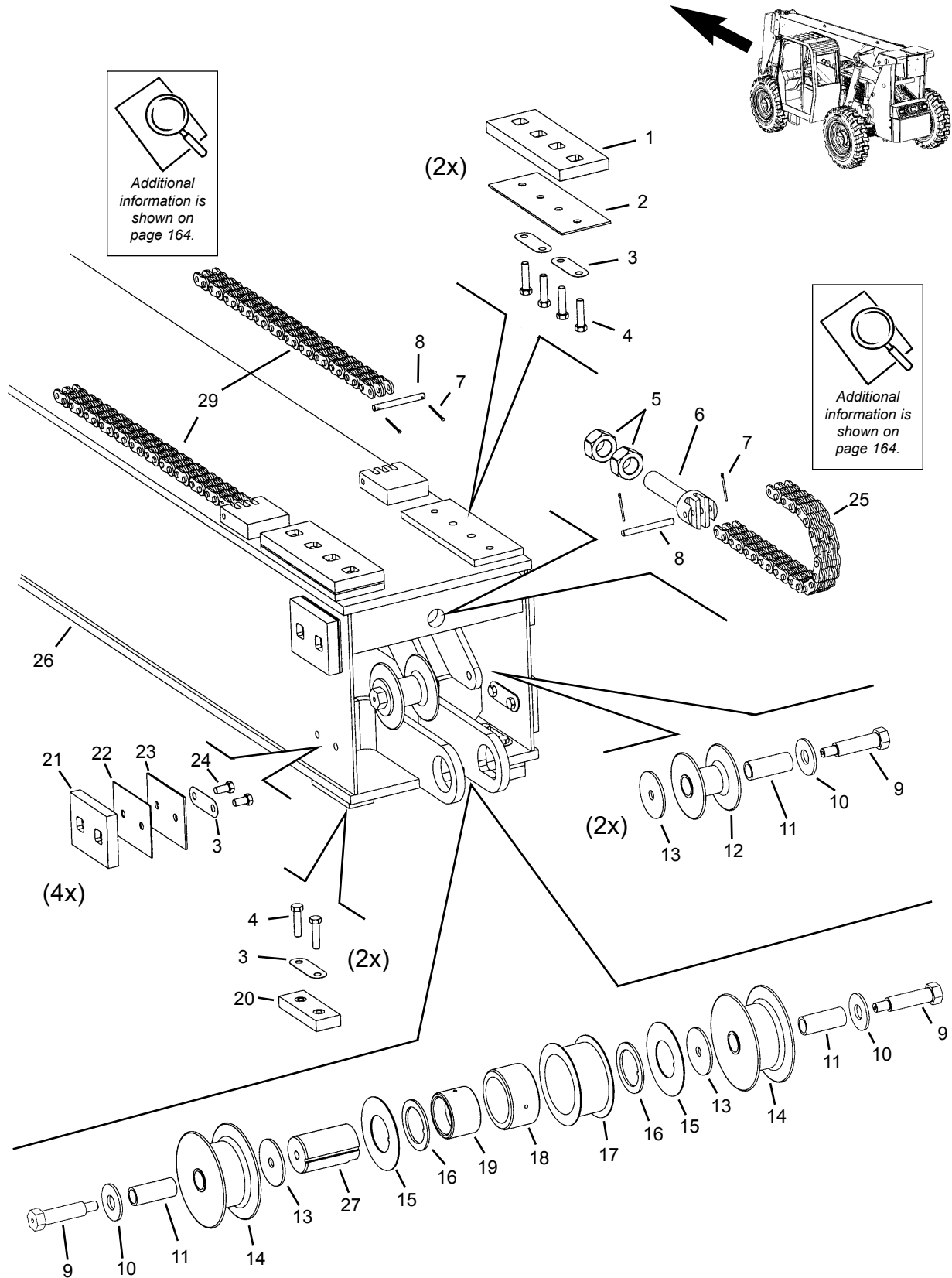
## 4-Section Boom - 2nd Intermediate - Front

Ref. No.	Part No.	Description	Qty. Req.	Ref. No.	Part No.	Description	Qty. Req.
01	L70912	2ND-INTERMEDIATE BOOM.....	1	11	570019	GREASE ZERK.....	1
02	L510007	3/8"X7/8" BOLT.....	4	12	L71214	THRUST WASHER.....	2
03	L62715	BOLT FLAT LOCK.....	6	13	L71245	SPACER.....	2
04	L71020	SLIDE PAD 4"X6".....	2	14	L71008	CHAIN SHEAVE.....	1
05	L61709	SLIDE PAD 3"X4".....	6	15	L49618	ROLLER BEARING.....	1
06	L62733	SHIM 0.06"X3"X4".....	4	16	L49619	INNER RING.....	1
07	L62734	SHIM 0.105"X3"X4".....	6	17	L71206	SHEAVE PIN, REAR.....	1
08	650490	3/8"X1" BOLT.....	4	18	L520005	3/8" NYLON INSERT NUT.....	1
09	L64143	SPACER 1/2"X3"X4.....	2	19	650818	3/8"-16X3" BOLT.....	1
10	650533	3/8"-16X1"-1/2 BOLT.....	4				

# Boom

# RS Series

## 4-Section Boom - 2nd Intermediate - Rear



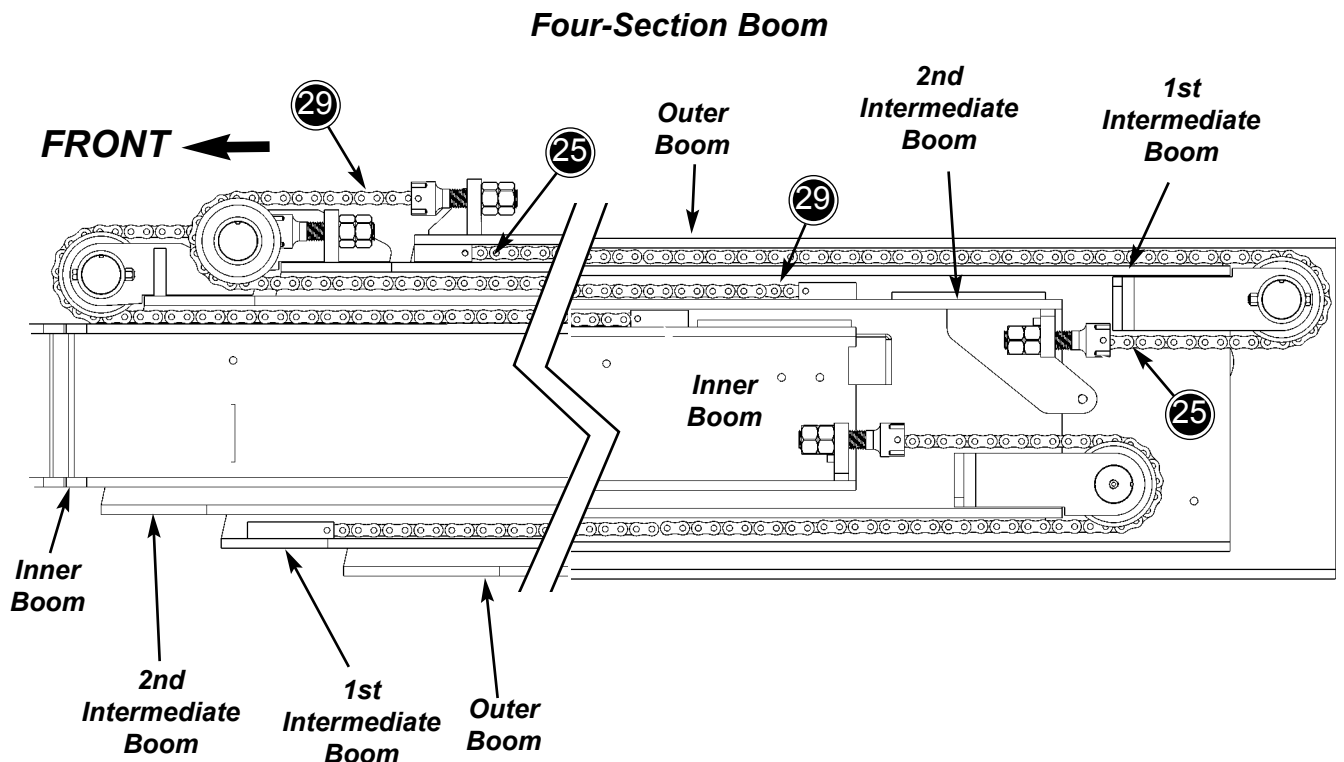


## 4-Section Boom - 2nd Intermediate - Rear

Ref. No.	Part No.	Description	Qty. Req.	Ref. No.	Part No.	Description	Qty. Req.
01	L71011	SLIDE PAD 3"X8" . . . . .	2	18	L49618	ROLLER BEARING . . . . .	1
02	L66783	SHIM 0.125"X3"X8" . . . . .	2	19	L49619	INNER RING . . . . .	1
03	L62715	BOLT FLAT LOCK . . . . .	10	20	L71003	SLIDE PAD 1-1/2"x4" . . . . .	2
04	650533	3/8"X1-1/2" BOLT . . . . .	12	21	L61709	SLIDE PAD 3"X4" . . . . .	4
05	L50092	NUT, ADJUSTABLE CLEVIS . . . . .	AR	22	L62733	SHIM 0.06"X3"X4" . . . . .	4
06	L71006	CLEVIS, ADJUSTABLE . . . . .	2	23	L62734	SHIM 0.105"X3"X4" . . . . .	4
07	L560003	3/32"X1-1/4" COTTER PIN . . . . .	4	24	650488	3/8"X1" BOLT . . . . .	8
08	L71007	PIN, ADJUSTABLE CLEVIS . . . . .	4	25 <sup>a</sup>	L71001	CHAIN, LEAF ( <i>retract</i> ) . . . . .	1
09	L71016	BOLT, HOSE RETAINER . . . . .	4	26	L70912	2ND-INTERMEDIATE BOOM . . . . .	1
10	654014	3/4" WASHER . . . . .	4	27	L71213	PIN, SHEAVE . . . . .	1
11	L71389	SPACER . . . . .	4	29 <sup>a</sup>	L71000	CHAIN, LEAF ( <i>extend</i> ) . . . . .	2
12	L71010	HOSE GUIDE ( <i>upper</i> ) . . . . .	2				
13	L71014	WASHER, SHEAVE PIN . . . . .	4				
14	L71347	HOSE GUIDE ( <i>lower</i> ) . . . . .	2				
15	L71214	THRUST WASHER . . . . .	2				
16	L71245	SPACER . . . . .	2				
17	L71008	CHAIN SHEAVE . . . . .	1				



**NOTE:** This parts manual shows the same chain(s) on multiple pages. Before ordering chains, refer to the illustration below to avoid ordering the incorrect chain(s) or the incorrect quantities.



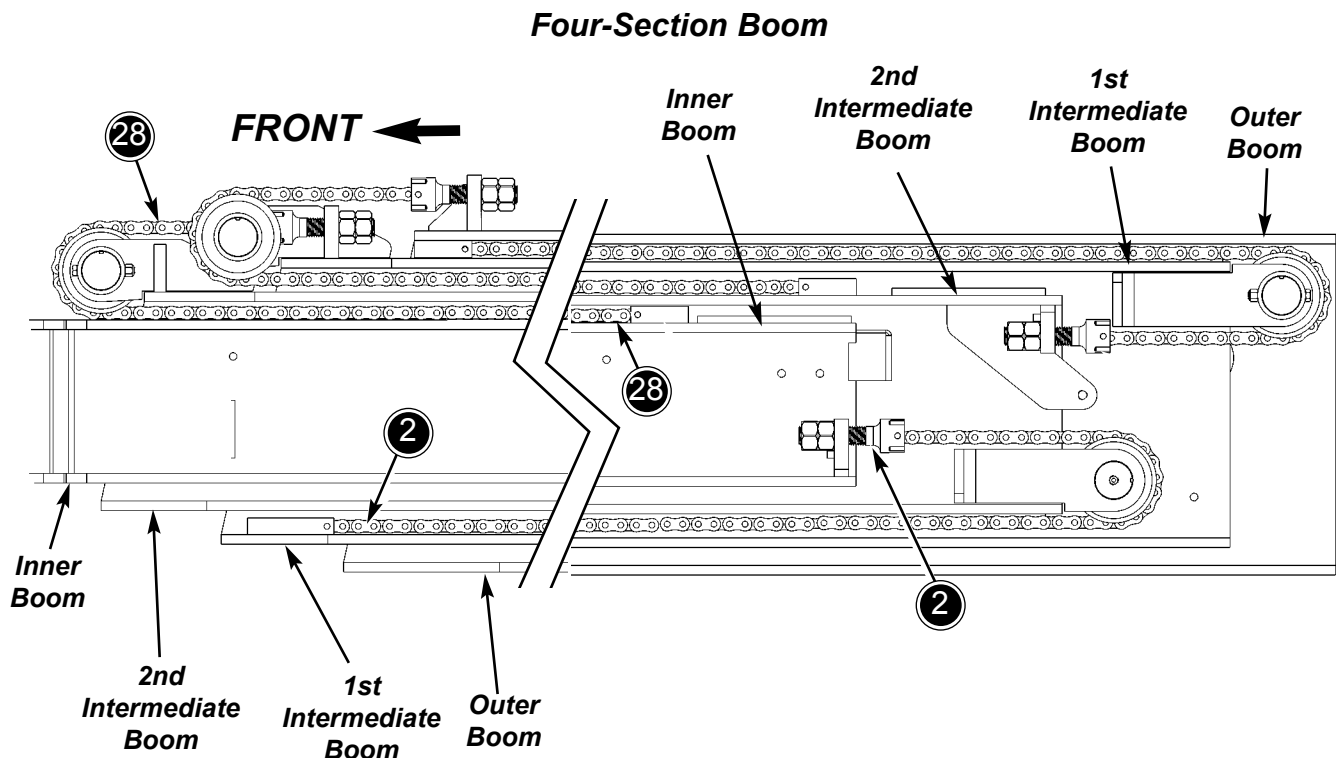


## 4-Section Boom - Inner - Rear

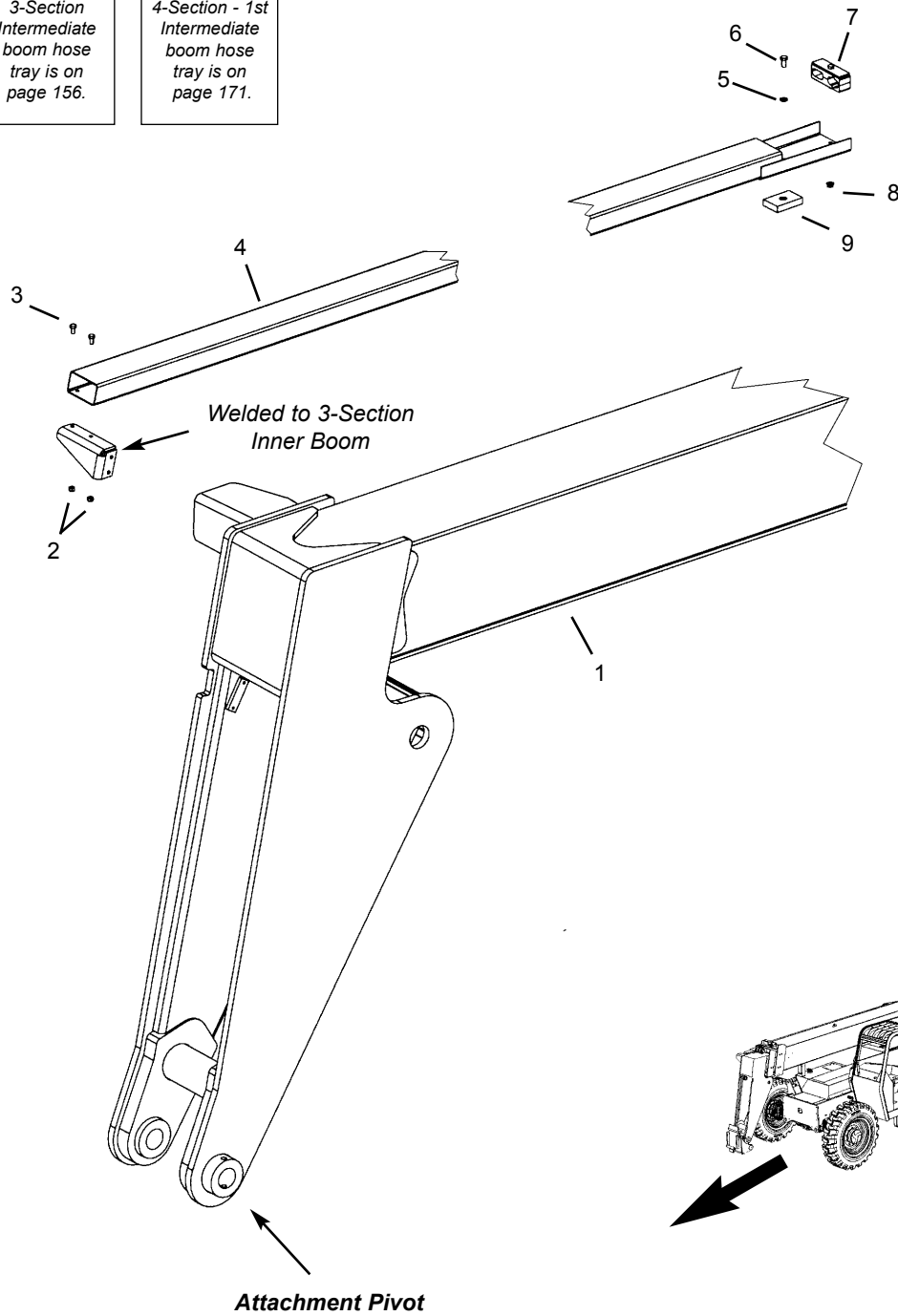
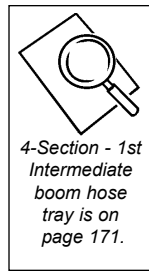
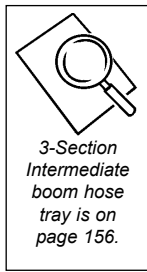
Ref. No.	Part No.	Description	Qty. Req.	Ref. No.	Part No.	Description	Qty. Req.
01	L71011	SLIDE PAD 3"X8" . . . . .	2	13	L62733	SHIM 0.06"X3"X4" . . . . .	4
02 <sup>a</sup>	L71001	LEAF CHAIN ( <i>retract</i> ) . . . . .	1	14	L62734	SHIM 0.105"X3"X4" . . . . .	4
03	L66783	SHIM 0.125"X3"X8" . . . . .	2	15	L61709	SLIDE PAD 3"X4" . . . . .	4
04	L62715	BOLT FLAT LOCK . . . . .	8	16	100119	INNER BOOM. . . . .	1
05	650533	3/8"-16X1"-1/2 BOLT . . . . .	8	28 <sup>a</sup>	101212	LEAF CHAIN ( <i>extend</i> ) . . . . .	1
06	L510007	3/8"-16X7/8" BOLT . . . . .	4				
07	L71003	SLIDE PAD 1-1/2"X4" . . . . .	2				
08	L560003	3/32"X1-1/4" COTTER PIN . . . . .	2				
09	L71007	CHAIN PIN . . . . .	1				
10	L71006	ADJUSTABLE CLEVIS . . . . .	1				
11	L50092	HEX NUT 1"-8 . . . . .	2				
12	650490	3/8"-16X1" BOLT . . . . .	4				



**NOTE:** This parts manual shows the same chain(s) on multiple pages. Before ordering chains, refer to the illustration below to avoid ordering the incorrect chain(s) or the incorrect quantities.



## 3- and 4-Section Boom - Inner - Front



# Telescopic Handler

# Boom

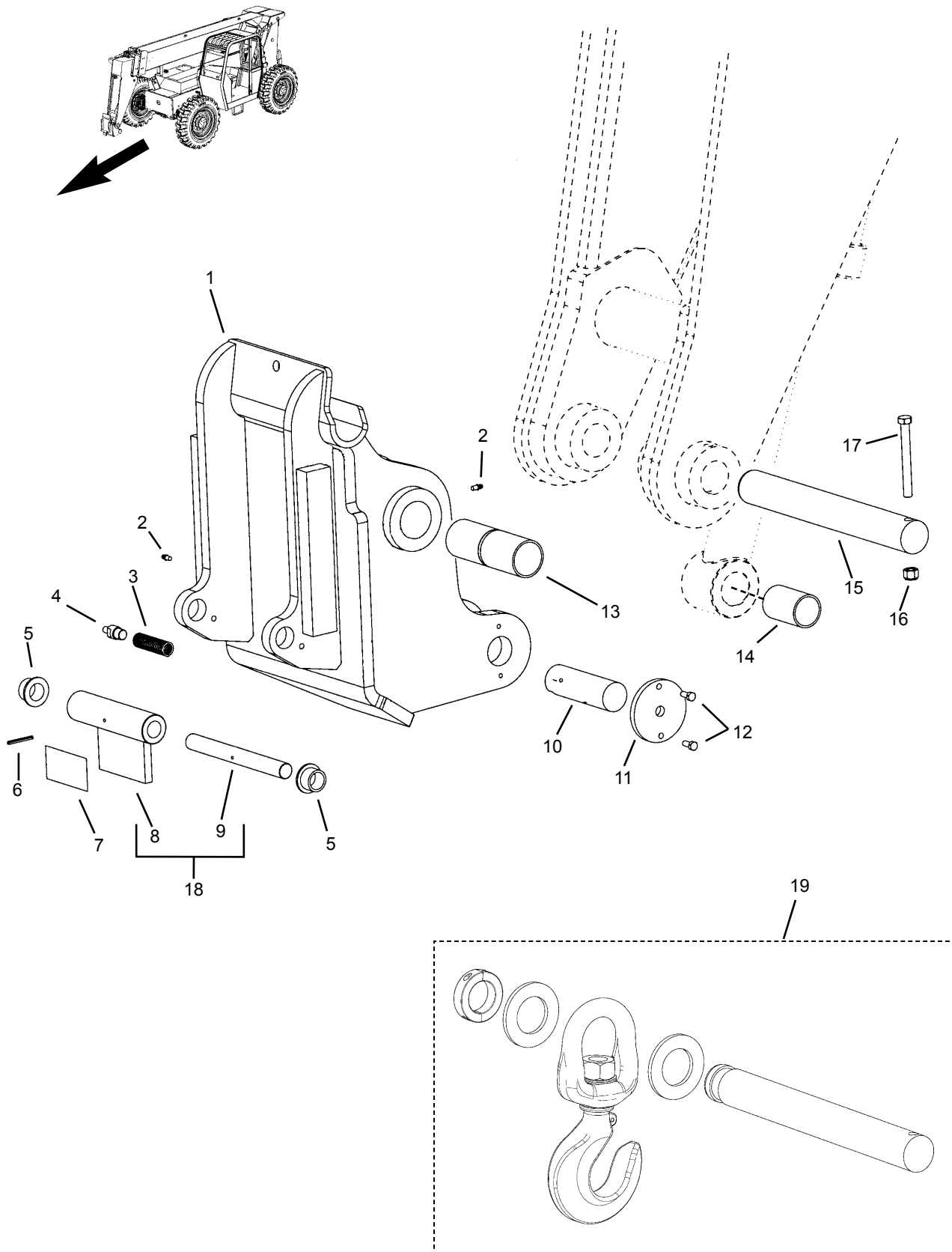
## 3- and 4-Section Boom - Inner - Front

Ref. No.	Part No.	Description	Qty. Req.	Ref. No.	Part No.	Description	Qty. Req.
01		INNER BOOM WELDMENT . . . . .	1	04 <sup>a</sup>		INNER BOOM HOSE TRAY . . . . .	1
	102283	3-Section 42' boom			210438	3-Section 42' boom	
	102286	3-Section 44' boom			105229	3-Section 44' boom	
	100119	4-Section 55' boom		05	654026	3/8" LOCK WASHER . . . . .	1
02	L520004	5/16"-18 NYLON INSERT NUT . . . . .	2	06	650488	3/8"-16X3/4" BOLT . . . . .	1
03	650485	5/16"-18X5/8" BOLT . . . . .	4	07	L79167	HOSE CLAMP ASSEMBLY . . . . .	1
				08	L50056	5/16"-18 FLARE NUT . . . . .	1
				09	L61699	SLIDE PAD, 1"X2"X3" . . . . .	1

a The 4-section boom does not have an inner boom hose tray.

# Boom Dynattach® Assembly

# RS Series

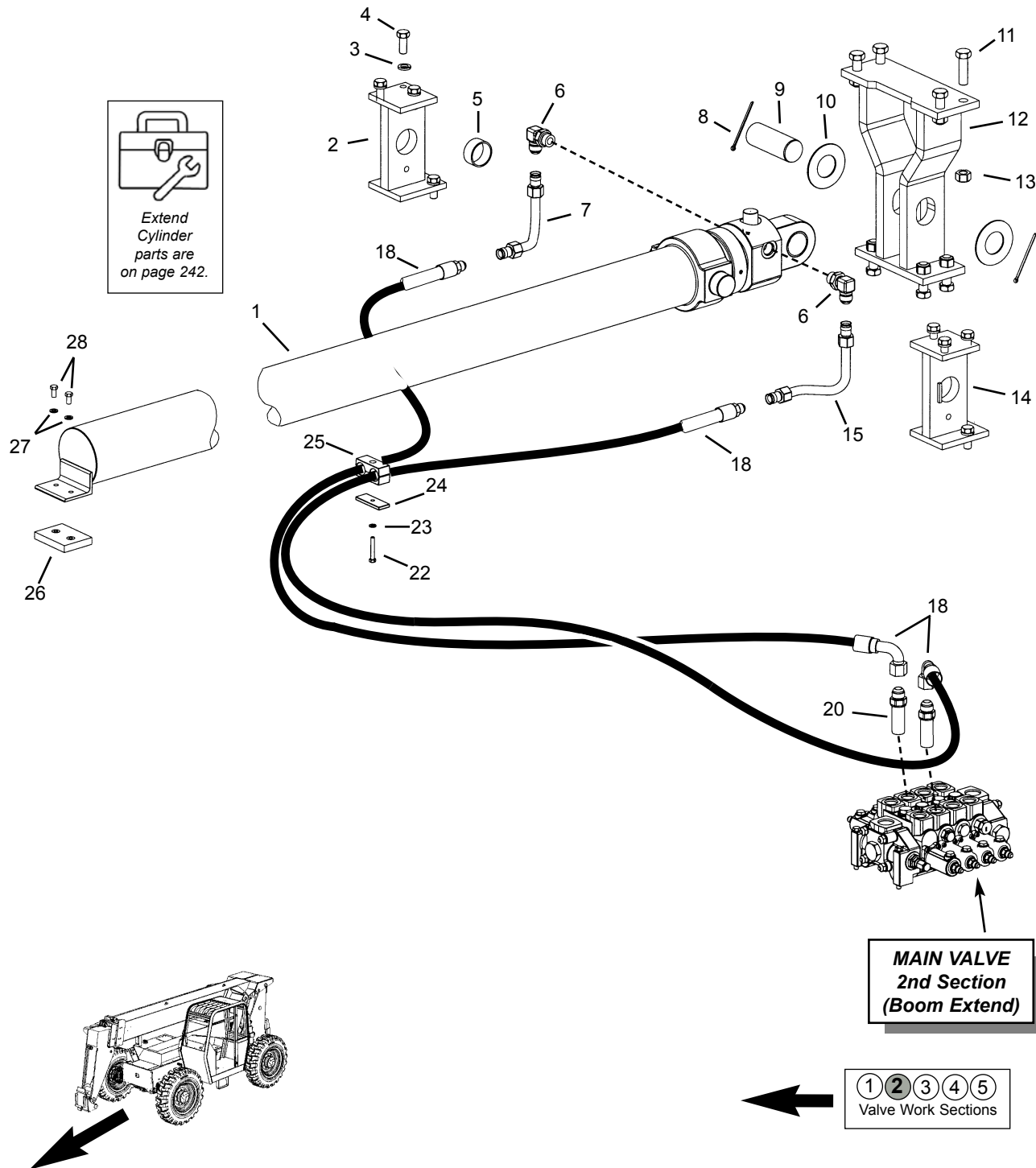


# Telescopic Handler

# Boom Dynattach® Assembly

Ref. No.	Part No.	Description	Qty. Req.	Ref. No.	Part No.	Description	Qty. Req.
01	101055	DYNATTACH® WELDMENT . . . . . 1 <i>(includes item 5 and 13)</i>		15		PIN, DYNATTACH PIVOT . . . . . 1 <i>For 42' and 44' Booms</i>	
02	L10465	1/4" -28 STR GREASE ZERK . . . . . 2			102371	<i>For 42' and 44' Booms</i>	
03	L65097	LOCK SPRING . . . . . 1			100118	<i>For 55' Boom</i>	
04	L65098	SPRING MOUNT. . . . . 1		16	L520019	1/2"-13 NYLON INSERT NUT . . . . . 1	
05	L66456	BUSHING . . . . . 2		17	L50986	1/2"-13X4-1/2" BOLT GR8. . . . . 1	
06	L50646	3/16"X1-3/4" ROLL PIN . . . . . 1		18	L66453	LOCK AND PIN ASSEMBLY . . . . . 1 <i>(includes items 8 and 9)</i>	
07	L66613	DECAL, DYNATTACH UNLOCKED 1					
08 <sup>a</sup>	NSS	LOCK WELDMENT . . . . . 1		19		KIT, LIFTING HOOK <i>(option)</i> . . . . . 1	
09 <sup>a</sup>	NSS	PIN. . . . . 1			50381196	<i>For 42' and 44' booms</i>	
10	L69727	PIN, TILT CYLINDER . . . . . 1			50381154	<i>For 55' boom</i>	
11	L69724	PIN CAP . . . . . 1					
12	650486	5/16"X3/4" BOLT . . . . . 2					
13	101351	BUSHING . . . . . 1		a		<i>Not sold separately; order item #18</i>	
14	L99889	BUSHING, TILT CYL. <i>(rod end)</i> . . . . . 1				<i>P/N L66453 Lock and Pin Assembly.</i>	

## 3-Section Boom - Boom Extend/Retract





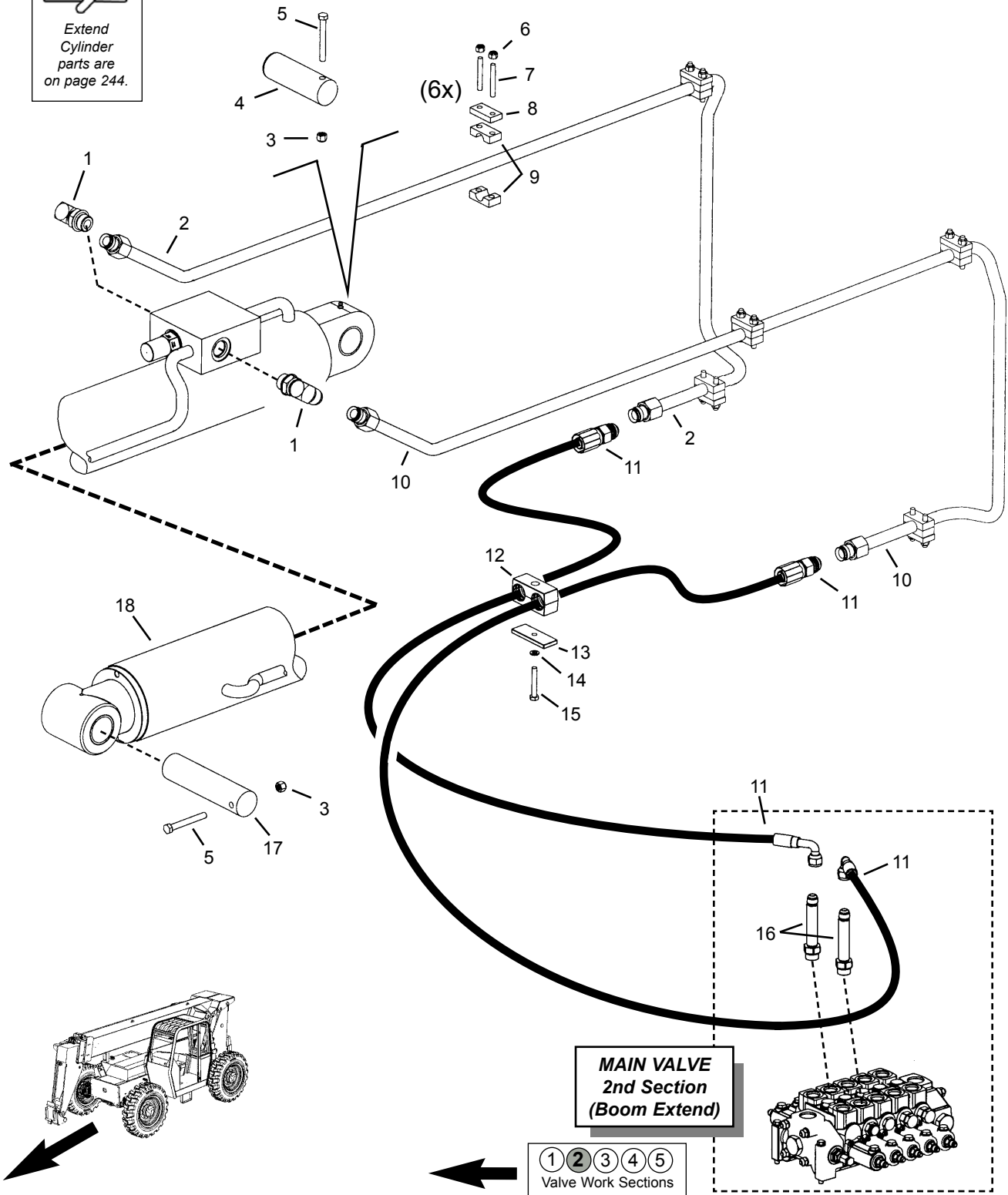
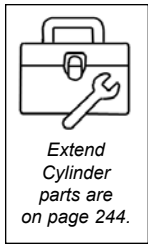
# Telescopic Handler

# Boom Hydraulics

## 3-Section Boom - Boom Extend/Retract

Ref. No.	Part No.	Description	Qty. Req.	Ref. No.	Part No.	Description	Qty. Req.
01		EXTEND CYLINDER..... 1		12	102335	WELDMENT, EXTEND CYL MNT.. 1	
	102543	3-Section 42' boom			L70420	TRUNNION SHIM ( <i>not shown</i> )... 1	
	102544	3-Section 44' boom		13	L50519	3/4-10 NYLON INSERT NUT ..... 8	
02	L64661	TRUNNION MOUNT (RH)..... 1		14	L64443	TRUNNION MOUNT (LH)..... 1	
		( <i>includes item 5</i> )				( <i>includes item 5</i> )	
03	L50156	5/8" LOCK WASHER..... 10		15	102540	EXTEND CYLINDER TUBE (LH) .. 1	
04	L50313	5/8-11x1-1/2" BOLT ..... 10		18	210429	HOSE, -12 H12/DS12 50"..... 2	
05	L48805	BUSHING 2.0" ID X 1.0" LENGTH. 2		20	188973	ADAP., -12ORM -12JICM STR LNG.2	
06	055005	ADAP., -12ORM -12JICM 90° ..... 2		22	L50835	5/16"-18X2 GR5 BOLT ..... 1	
07	102541	EXTEND CYLINDER TUBE (RH) .. 1		23	654024	5/16" FLAT WASHER ..... 1	
08	L50608	3/16X4" COTTER PIN..... 2		24	102517	PLATE, TOP CLAMP..... 1	
09	L69994	EXTEND CYLINDER PIN ..... 1		25	102516	CLAMP BODY TWIN CUSHION... 1	
10	L400207	THRUST WASHER ..... 2		26	L61709	SLIDE PAD ..... 1	
11	650711	3/4-10X3" BOLT..... 8		27	654026	3/8" LOCK WASHER..... 2	
				28	650488	3/8"-16X3/4" BOLT ..... 2	

## 4-Section Boom - Boom Extend/Retract

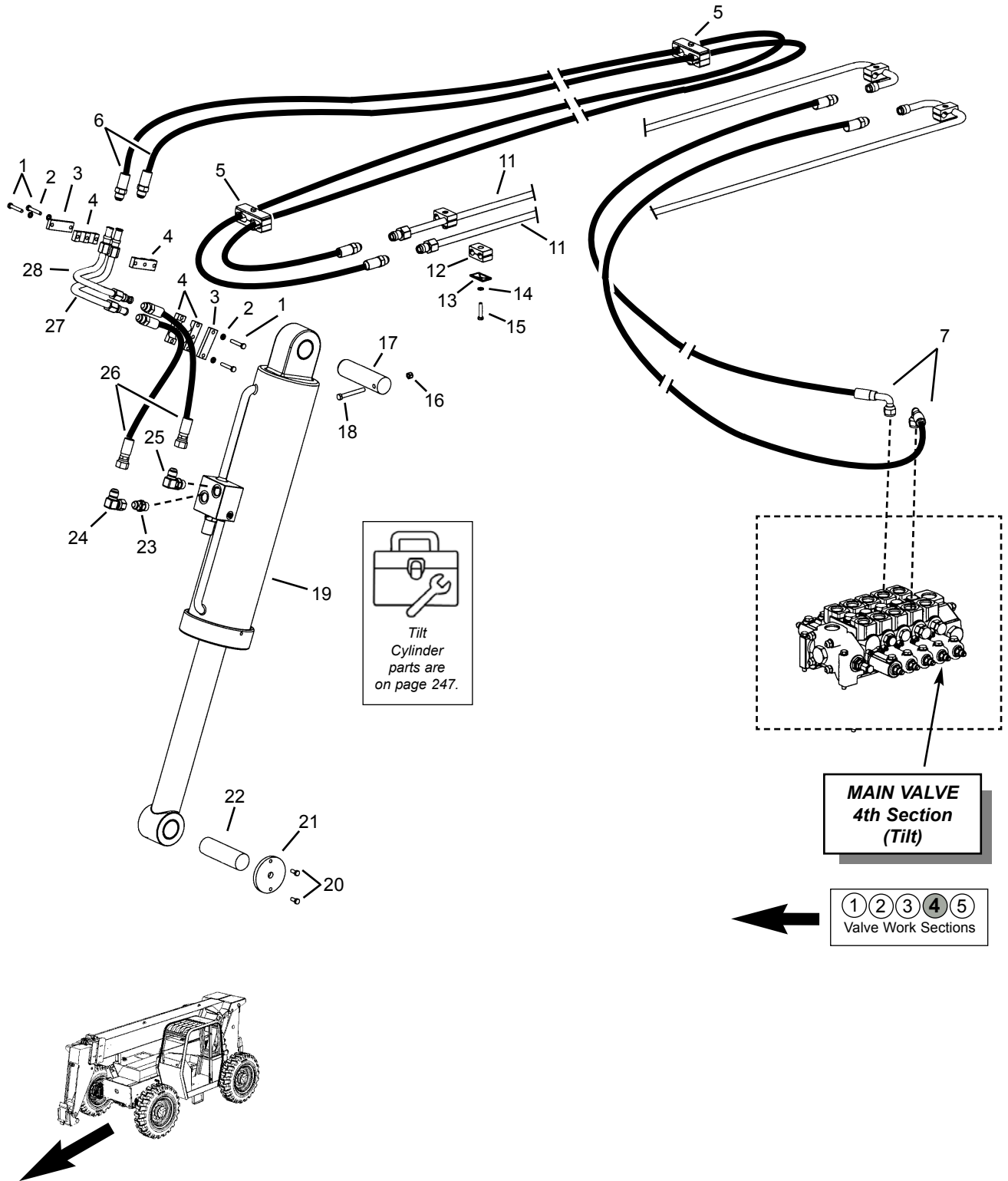


# Telescopic Handler

# Boom Hydraulics

## 4-Section Boom - Boom Extend/Retract

Ref. No.	Part No.	Description	Qty. Req.	Ref. No.	Part No.	Description	Qty. Req.
01	055005	ADAP., -12ORM -12JICM 90° . . . . .	2	10	210348	EXTEND CYLINDER TUBE ( <i>left</i> ) . . .	1
02	210327	EXTEND CYLINDER TUBE ( <i>right</i> ) . . .	1	11	210429	HOSE, -12 H12/DS12 50" . . . . .	2
03	L520005	3/8" NYLON INSERT NUT . . . . .	2	12	102516	CLAMP BODY TWIN CUSHION . . . . .	1
04	L70964	PIN, EXTEND CYL. ( <i>base end</i> ) . . . . .	1	13	102517	PLATE, TOP CLAMP . . . . .	1
05	650818	3/8"X3" BOLT . . . . .	2	14	654024	5/16" FLAT WASHER . . . . .	1
06	L520004	5/16" NYLON INSERT NUT . . . . .	12	15	L50835	5/16"-18X2 GR5 BOLT . . . . .	1
07	L50877	5/16"X2-1/4" STUD . . . . .	12	16	188973	ADAP., -12ORM -12JICM STR LNG.2	
08	L67446	PLATE . . . . .	6	17	L64559	PIN, EXTEND CYL. ( <i>rod end</i> ) . . . . .	1
09	L70270	TUBE CUSHION . . . . .	6	18	L71024	EXTEND CYLINDER ( <i>RS10-55</i> ) . . . . .	1



# Telescopic Handler

# Boom Hydraulics

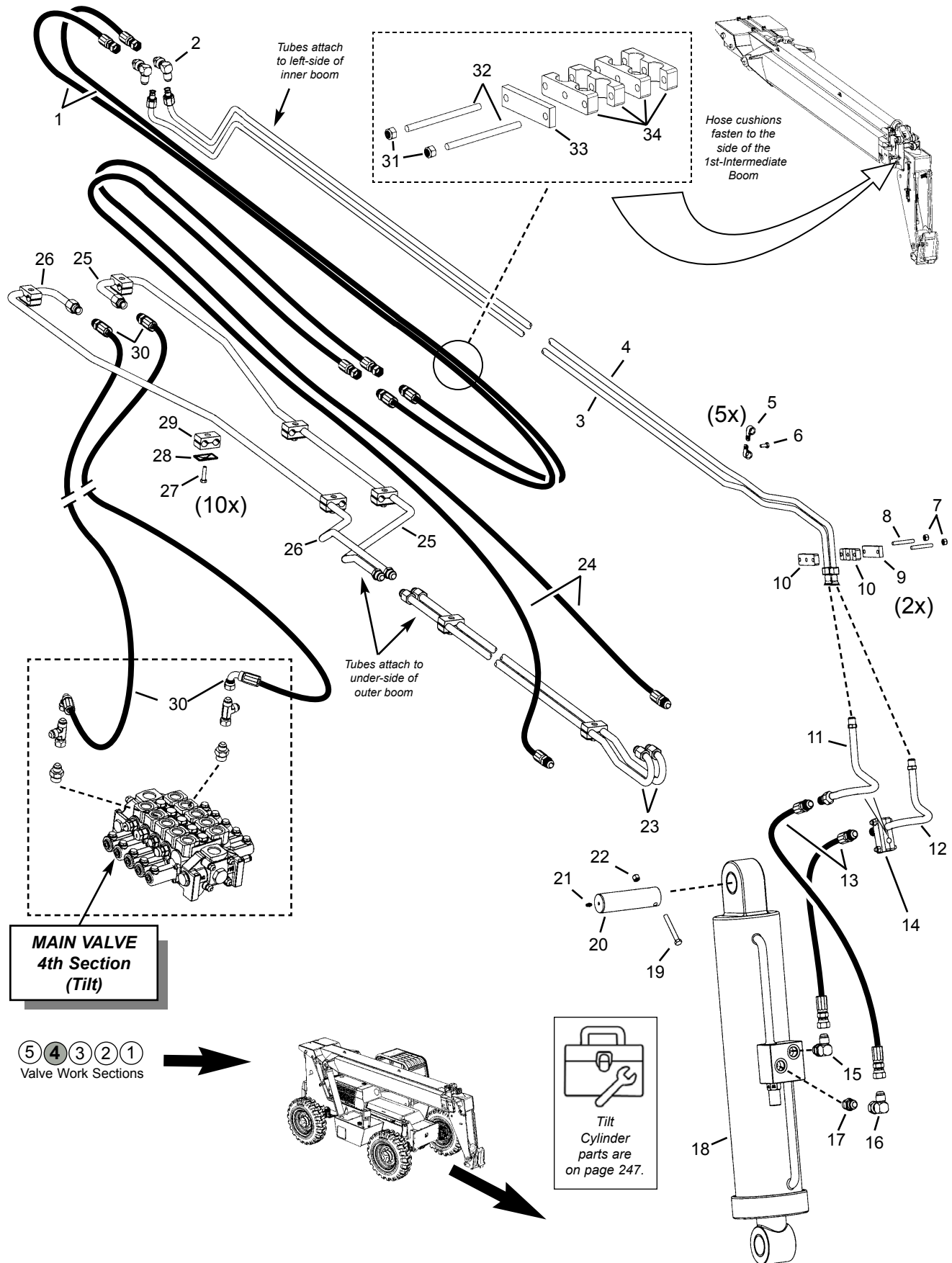
## 3-Section Boom - Tilt

Ref. No.	Part No.	Description	Qty. Req.	Ref. No.	Part No.	Description	Qty. Req.
01	L50561	5/16"-18X1-3/4" BOLT	AR	21	L69724	PIVOT PIN CAP	1
02	654024	5/16" FLAT WASHER	AR	22	L69727	PIN, TILT CYL ROD END	1
03	L63715	HOSE CUSHION TOP PLATE	2	23	072580	ADAP., -10ORM -10JICM STR.	1
04	L68039	TUBE CUSHION DBL 5/8"	4	24	065415	ADAP., -10JICFS -10JICM 90°	1
05	L79167	HOSE CLAMP ASSEMBLY	2	25	067761	ADAP., -10ORM -10JICM 90°	1
06	<i>Note a</i>	BOOM HOSES... ( <i>see note for qty.</i> )		26	L70088	HOSE, -8 A10/H10 20"	2
07	210428	HOSE, -10 H10/DS10 52"	2	27	L69449	TILT CYLINDER TUBE	1
11 <sup>b</sup>	210292	TILT CYLINDER TUBE	2	28	L69450	TILT CYLINDER TUBE	1
12	L69832	CLAMP, DBL TUBE .62"	6				
13	L69833	PLATE, TOP DBL CUSHION.	6				
14	654024	5/16" FLAT WASHER	6				
15	L50842	3/8"-16X1-1/2" BOLT	6				
16	L520005	3/8" NYLON INSERT NUT	1				
17	L69601	PIN, TILT CYL BASE END	1				
18	650818	3/8"-16X3" BOLT	1				
19	L69144	TILT CYLINDER	1				
20	650486	5/16"-18X3/4" BOLT	2				
						<i>a (42' boom);</i>	
						<i>Uses (1) L500784 protective sleeve and</i>	
						<i>(2) 210502 Hose, -8 H10/H10 350".</i>	
						<i>a (44' boom);</i>	
						<i>Uses (1) L500784 protective sleeve and</i>	
						<i>(2) 210503 Hose, -8 H10/H10 370".</i>	
						<i>b Located on the bottom side of the boom.</i>	

# Boom Hydraulics

## 4-Section Boom -Tilt

# RS Series



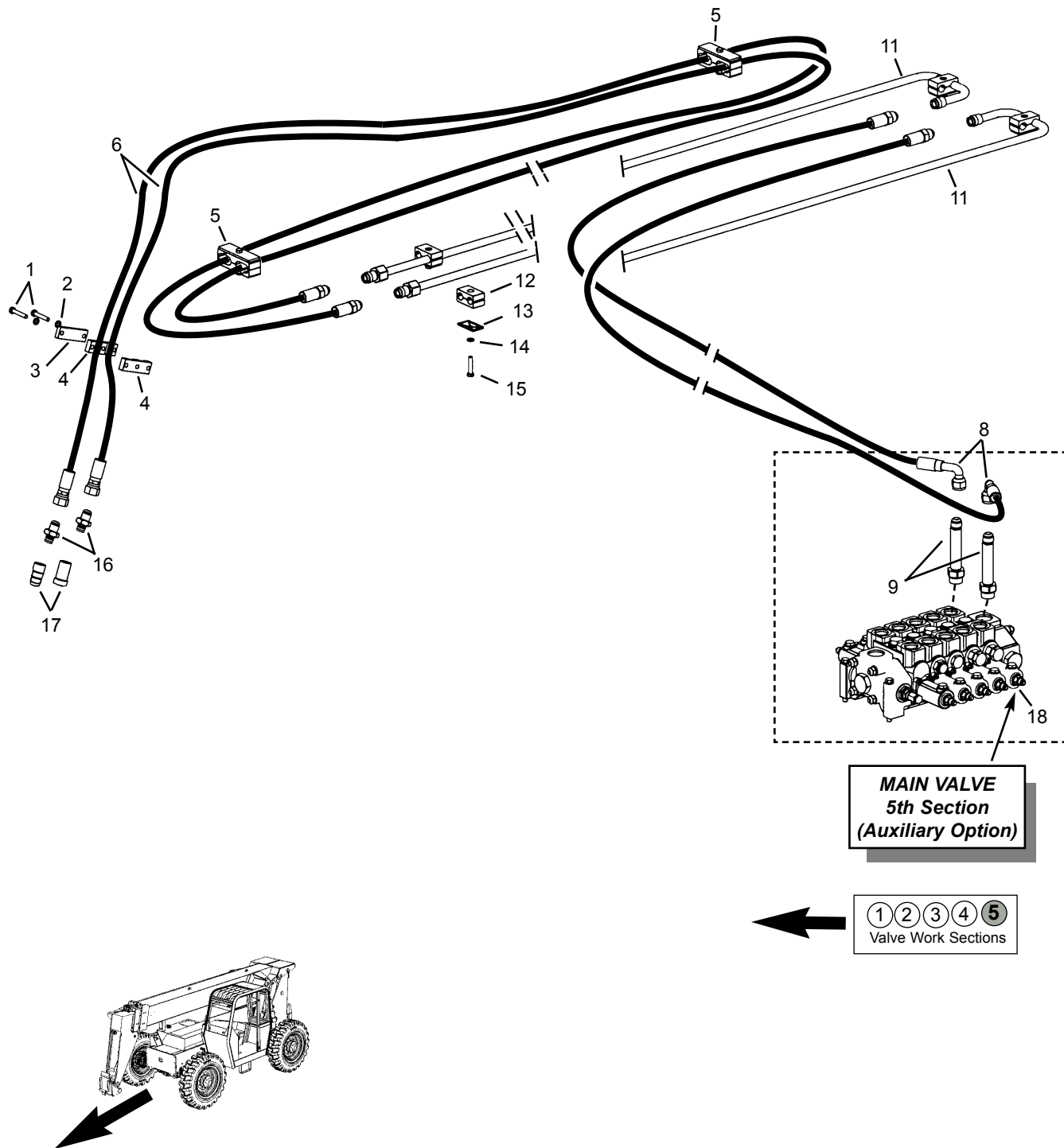
# Telescopic Handler

# Boom Hydraulics

## 4-Section Boom - Tilt

Ref. No.	Part No.	Description	Qty. Req.	Ref. No.	Part No.	Description	Qty. Req.
01	210888	HOSE, -8 A10/H10 254" ( <i>twin line</i> ) .	1	18	L69144	CYLINDER, TILT . . . . .	1
02	230-21555	ADAP., -8ORB -8JICM 90° BLKHD .	2	19	650818	3/8"X3" BOLT . . . . .	1
03	L71037	TUBE, TILT CYLINDER . . . . .	1	20	L69601	PIN, TILT CYLINDER ( <i>base end</i> ) . .	1
04	L71036	TUBE, TILT CYLINDER . . . . .	1	21	570019	1/4" GREASE ZERK . . . . .	1
05	L71042	CLAMP, VINYL . . . . .	10	22	L520005	3/8" NYLON INSERT NUT . . . . .	1
06	650663	1/4"X5/8" BOLT . . . . .	5	23	210330	TUBE, BOOM TILT/AUX. . . . .	2
07	L520004	5/16" NYLON INSERT NUT . . . . .	4	24	L71055	HOSE, -8 A10/H10 268" . . . . .	2
08	L50877	5/16"X2-1/4" STUD . . . . .	4		L99134	HOSE SLEEVE ( <i>not shown</i> ) . . . . .	1
09	L63715	PLATE, CUSHION . . . . .	2	25	210337	TUBE, TILT CYLINDER . . . . .	1
10	L63717	CLAMP, DBL. TUBE . . . . .	4	26	210332	TUBE, TILT CYLINDER . . . . .	1
11	L71038	TUBE, TILT CYLINDER . . . . .	1	27	650545	5/16"X1-1/4" BOLT . . . . .	10
12	L71039	TUBE, TILT CYLINDER . . . . .	1	28	L69833	PLATE, CUSHION . . . . .	10
13	L71043	HOSE, -8 A10/H8 20" . . . . .	2	29	L69832	CLAMP, DBL. TUBE 5/8" . . . . .	10
14	NSS	TUBE CLAMP ASSEMBLY . . . . . ( <i>includes items 7-10</i> )	1	30	210428	HOSE, -10 H10/DS10 52" . . . . .	2
15	067761	ADAP., -10ORM -10JICM 90° . . . . .	1	31	L520004	NIN 5/16" . . . . .	2
16	065415	ADAP., -10JICFS -10JICM 90° . . . . .	1	32	L71104	STUD 1/4" x 2-1/4" . . . . .	2
17	072580	ADAP., -10ORM -10JICM . . . . .	1	33	L63719	PLATE, HOSE CUSHION . . . . .	1
				34	L63720	CUSHION, HOSE . . . . .	4

## 3-Section Boom - Auxiliary Hydraulics Circuit





# Telescopic Handler

# Boom Hydraulics

## 3-Section Boom - Auxiliary Hydraulics Circuit

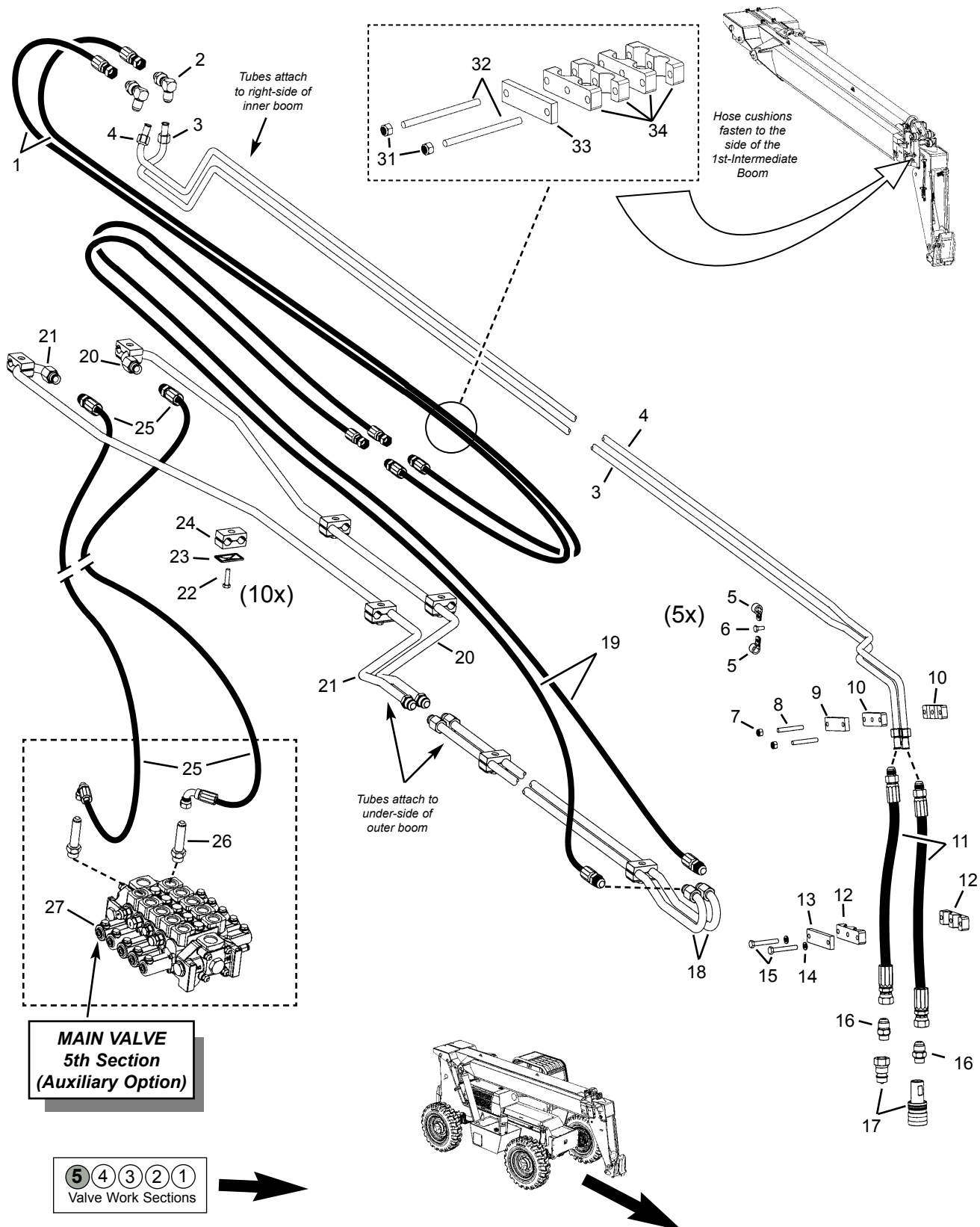
Ref. No.	Part No.	Description	Qty. Req.	Ref. No.	Part No.	Description	Qty. Req.
01	L50884	5/16"-18X2-1/4" BOLT .....	2	16	137542	ADAP., -8ORM -10JICM STR .....	2
02	654024	5/16" FLAT WASHER .....	2	17	L65273	QUICK COUPLER SET .....	1
03	L63719	HOSE CUSHION TOP PLATE .....	2	18	105165	KIT, AUX. HYD. SECTION .....	1
04	L63720	TUBE CUSHION DBL .88" .....	4			<i>(Does not include tie bolt kits 102807;</i>	
05	L79167	HOSE CLAMP ASSEMBLY .....	2			<i>order separately, requires four kits.)</i>	
06	Note a	AUXILIARY HYD. HOSES			102807	KIT, FIVE SECTION TIE BOLT .....	4
08	210428	HOSE, -10 H10/DS10 52" .....	2			<i>(Each kit contains one bolt, two</i>	
09	210385	ADAP., -12ORM -10JICM LONG. ...	2			<i>washers and two nuts.)</i>	
11	210297	AUX. HYD. TUBE .....	2				
12	L69832	CLAMP, DBL TUBE .62" .....	6				
13	L69833	PLATE, TOP DBL CUSHION. ....	6				
14	654024	5/16" FLAT WASHER .....	6	--	102718	DECAL, AUXILIARY CONTROL ..	1
15	L50842	3/8"-16X1-1/2" BOLT .....	6				

**-- ITEMS NOT SHOWN --**

a (42' boom);  
Use (1) L500784 protective sleeve and  
(2) 210504 Hose, -8 A10/H10 370".

(44' boom);  
Use (1) L500784 protective sleeve and  
(2) 210505 Hose, -8 A10/H10 390".

## 4-Section Boom - Auxiliary Hydraulics Circuit



# Telescopic Handler

# Boom Hydraulics

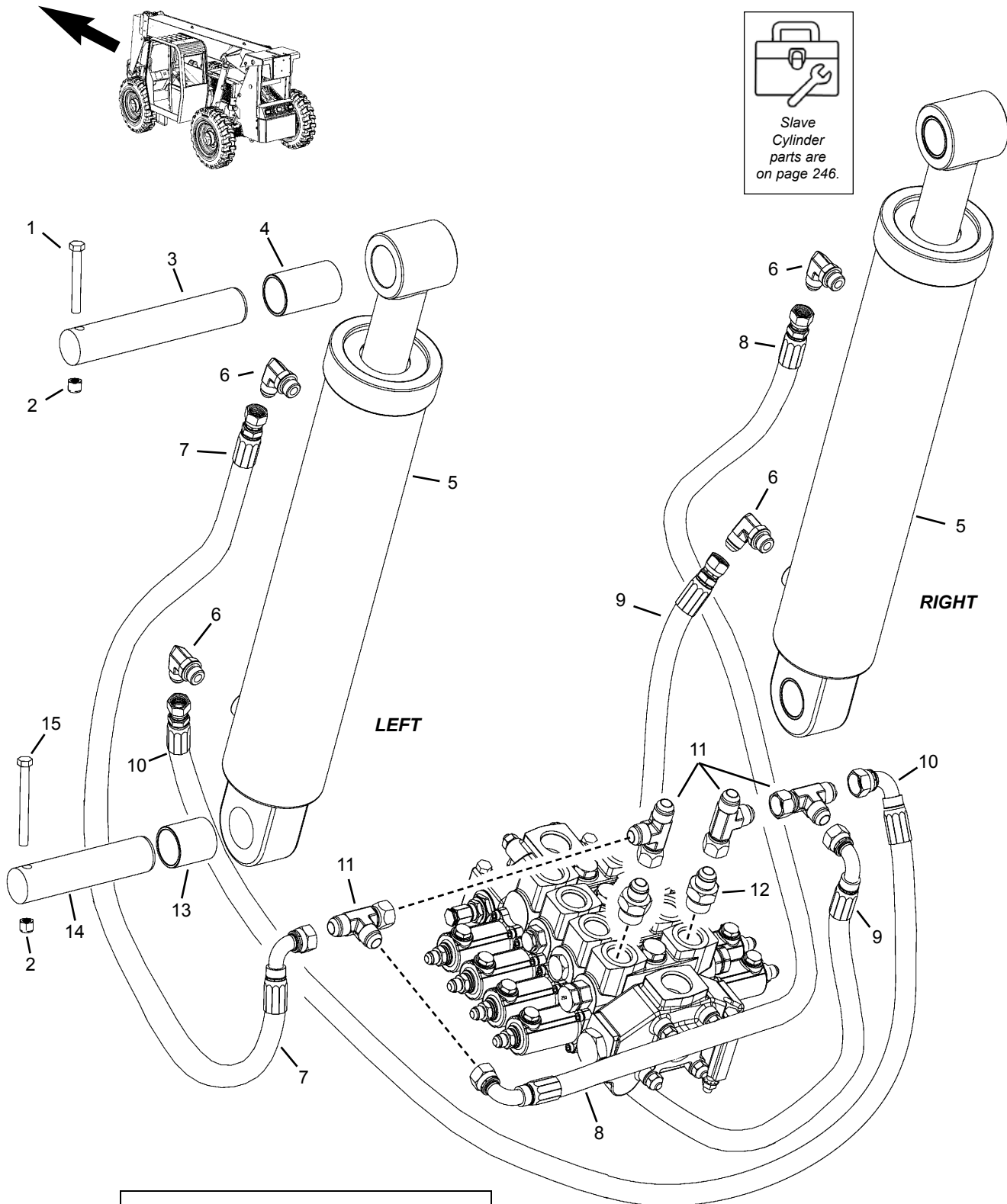
## 4-Section Boom - Auxiliary Hydraulics Circuit

Ref. No.	Part No.	Description	Qty. Req.	Ref. No.	Part No.	Description	Qty. Req.
01	210887	HOSE, -8 A10/H10 248" ( <i>twin line</i> ) .	1	21	210331	TUBE, AUXILIARY . . . . .	1
02	230-21555	ADAP., -8ORB -8JICM 90° BLKHD .	2	22	650545	5/16"X1-1/4" BOLT . . . . .	10
03	L71041	TUBE, AUXILIARY . . . . .	1	23	L69833	PLATE, CUSHION. . . . .	10
04	L71040	TUBE, AUXILIARY . . . . .	1	24	L69832	CLAMP, DBL. TUBE 5/8" . . . . .	10
05	L71042	CLAMP, VINYL . . . . .	10	25	210428	HOSE, -10 H10/DS10 52" . . . . .	2
06	650663	1/4"X5/8" BOLT . . . . .	5	26	210385	ADAP., -12ORM -10JICM LONG. . . . .	2
07	L520004	5/16" NYLON INSERT NUT . . . . .	2	27	105165	KIT, AUX. HYD. SECTION . . . . .	1
08	L50877	5/16"X2-1/4" STUD . . . . .	2			( <i>Does not include tie bolt kits 102807;</i>	
09	L63715	PLATE, CUSHION. . . . .	1			<i>order separately, requires four kits.)</i>	
10	L63717	CLAMP, DBL. TUBE . . . . .	2		102807	KIT, FIVE SECTION TIE BOLT . . . . .	4
11	L71043	HOSE, -8 A10/H8 20" . . . . .	2			( <i>Each kit contains one bolt, two</i>	
12	L63720	CLAMP, DBL. TUBE . . . . .	2			<i>washers and two nuts.)</i>	
13	L63719	PLATE, DBL. TUBE . . . . .	1	31	L520004	NIN 5/16" . . . . .	2
14	654024	5/16" LOCK WASHER. . . . .	2	32	L71104	STUD 1/4" x 2-1/4" . . . . .	2
15	650725	5/16"X2-1/4" BOLT . . . . .	2	33	L63719	PLATE, HOSE CUSHION . . . . .	1
16	137542	ADAP., -8ORM -10JICM . . . . .	2	34	L63720	CUSHION, HOSE . . . . .	4
17	L65273	QUICK COUPLER SET. . . . .	1				
18	210330	TUBE, BOOM TILT/AUX. . . . .	2			<b>-- ITEMS NOT SHOWN --</b>	
19	L71055	HOSE, -8 A10/H10 268" . . . . .	2	--	102718	DECAL, AUXILIARY CONTROL . . . . .	1
	L99134	HOSE SLEEVE ( <i>not shown</i> ) . . . . .	1				
20	210335	TUBE, AUXILIARY . . . . .	1				

# Boom Hydraulics

## Slave Cylinder Circuit

# RS Series

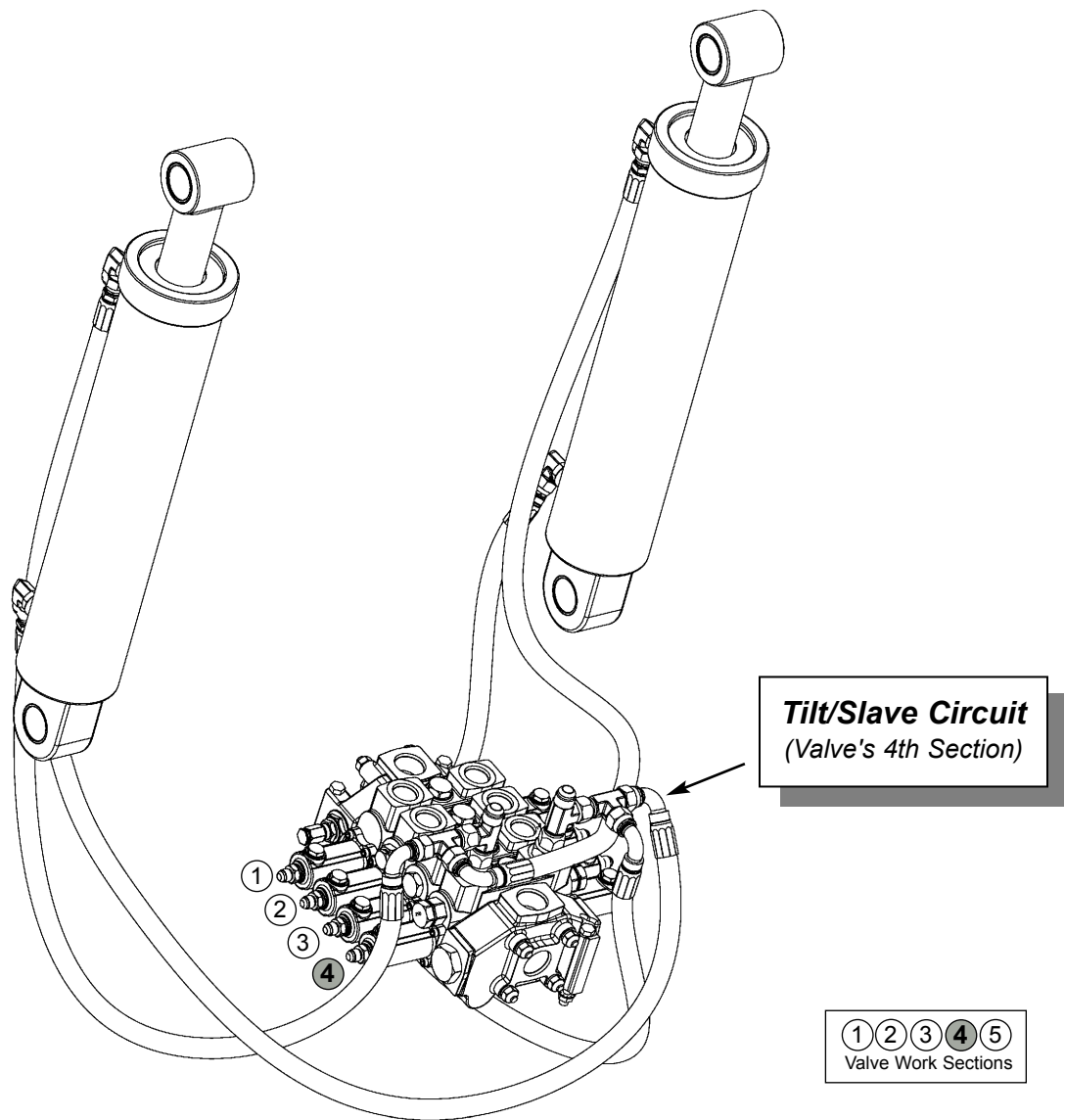


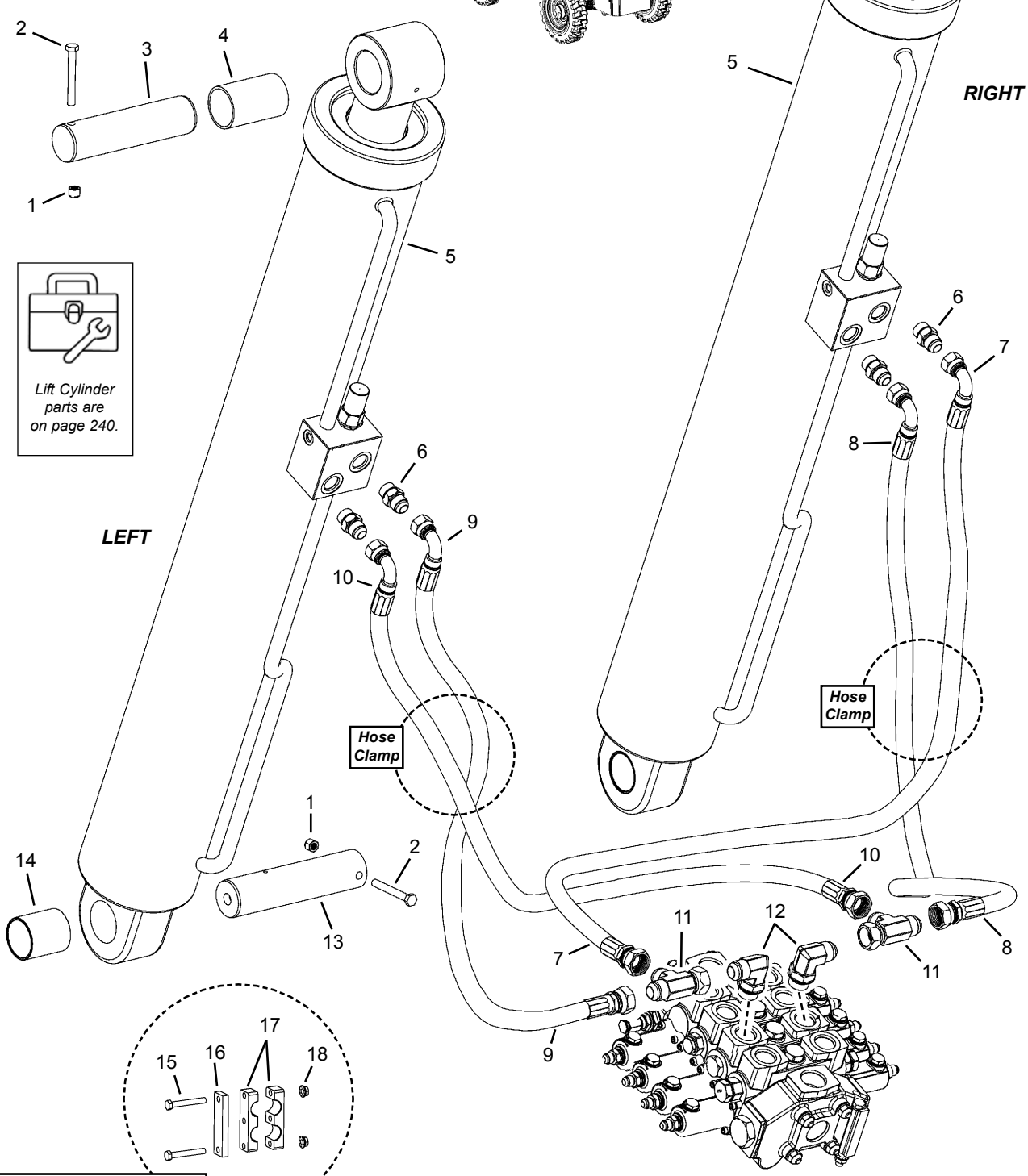
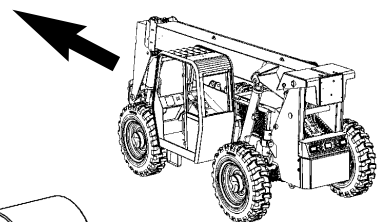
**Standard Four-Section Valve**  
(Does not include auxiliary hydraulics section)


# Telescopic Handler

# Boom Hydraulics Slave Cylinder Circuit

Ref. No.	Part No.	Description	Qty. Req.	Ref. No.	Part No.	Description	Qty. Req.
01	650493	3/8"X2-3/4" BOLT	2	09	187351	HOSE, -8 A8/DS10 62"	1
02	L520005	3/8" NYLON LOCK NUT	4	10	187351	HOSE, -8 A8/DS10 62"	1
03	102445	PIN, SLAVE CYL. ROD END	2	11	058610	ADAP., -10 SWVL RUN TEE	4
04	L63018	BUSHING (included with item #5)	2	12	072602	ADAP., -12ORM -10JICM	2
05	L69149	CYLINDER (inclds. items 4 & 13)	2	13	L63017	BUSHING (included with item #5)	2
06	054816	ADAP., -8ORM -8JICM 90°	4	14	210293	PIN, SLAVE CYL. BASE END	2
07	187351	HOSE, -8 A8/DS10 62"	1	15	650731	3/8"X3-1/2" BOLT	2
08	187351	HOSE, -8 A8/DS10 62"	1				





  
 Lift Cylinder  
 parts are  
 on page 240.

**Hose Clamp**

**Hose Clamp**

**Boom Lift Cylinder  
 Hose Clamps**  
 (attaches to the sides  
 of the rear hood)

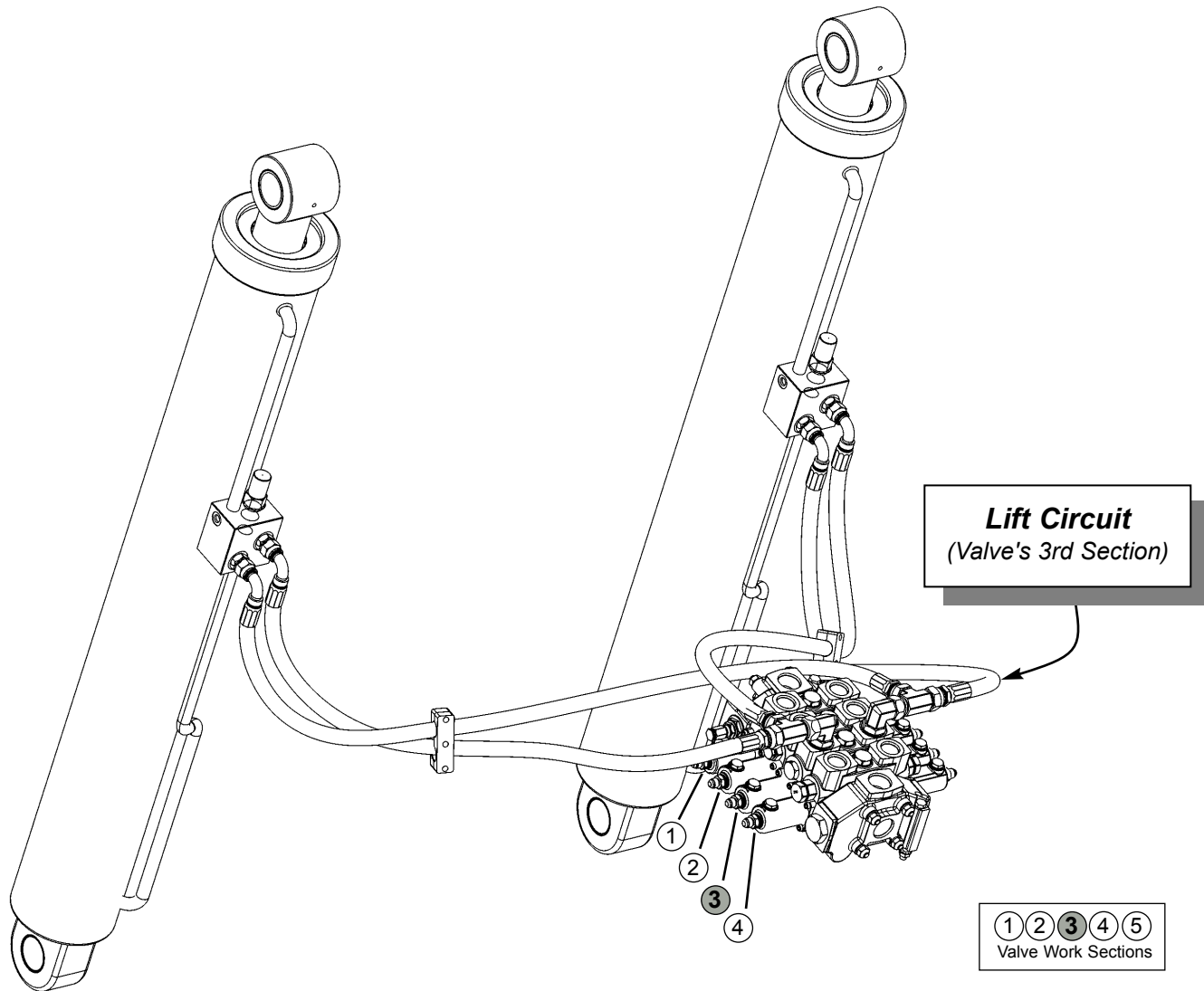
**Standard Four-Section Valve**  
 (Does not include auxiliary hydraulics section)


# Telescopic Handler

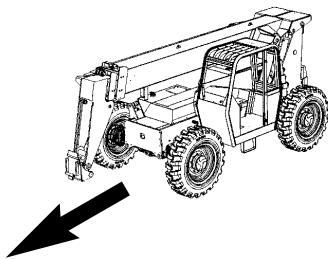
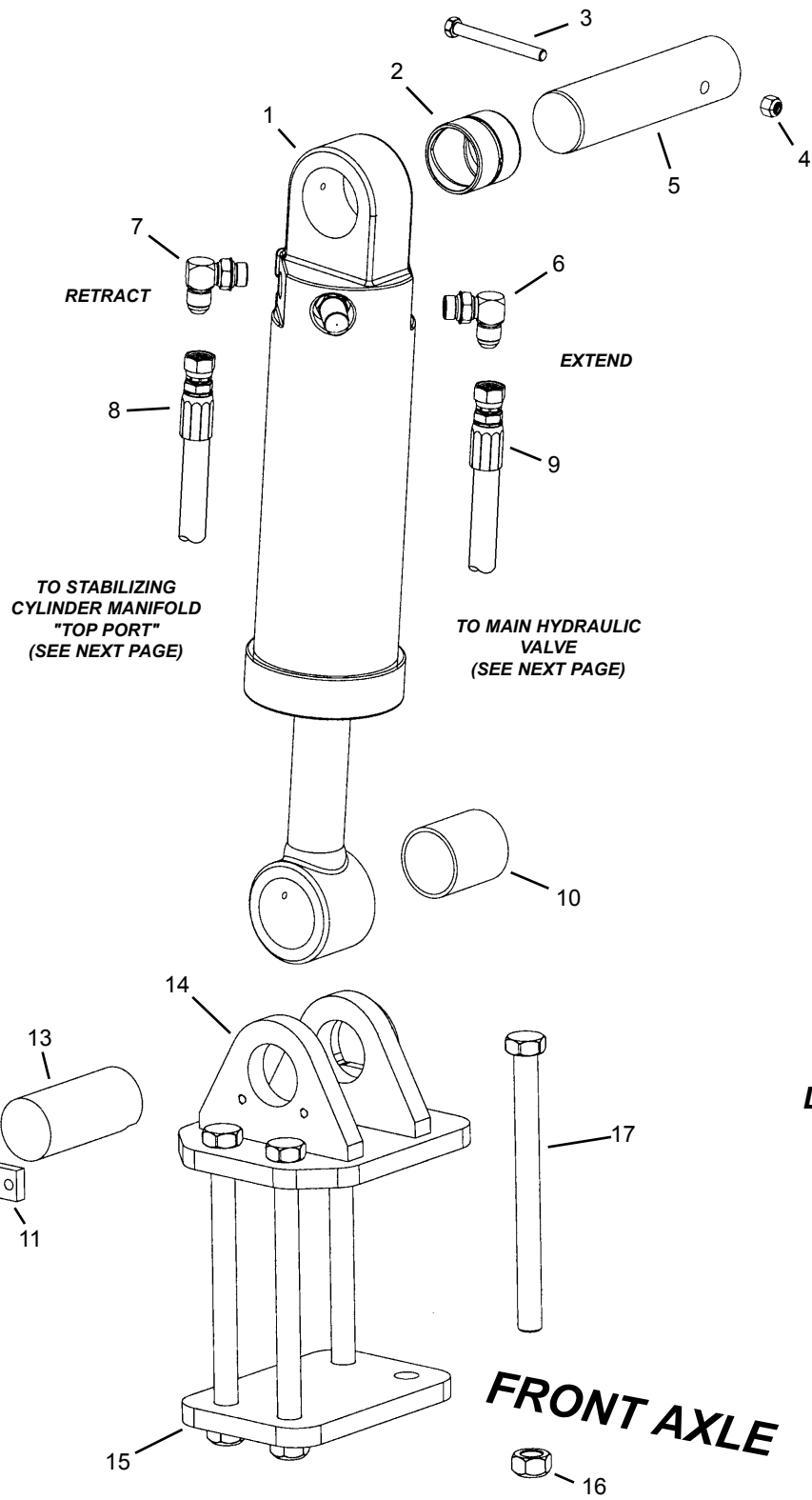
# Boom Hydraulics Boom Lift Circuit

Ref. No.	Part No.	Description	Qty. Req.	Ref. No.	Part No.	Description	Qty. Req.
01	L520005	3/8" NYLON LOCK NUT . . . . .	4	14	L69138	BUSHING (included with item 14) . . . 2	
02	650818	3/8"X3" BOLT . . . . .	4	15	650725	CS 5/16" x 2-1/4" C5ZY . . . . .	4
03	L69600	PIN, LIFT CYLINDER ROD END . . . 2		16 <sup>b</sup>	L63719	PLATE, TWIN-WIDE TOP . . . . .	2
04	L69142	BUSHING (included with item 5) . . . 2		17 <sup>b</sup>	L63720	CUSHION, HOSE 7/8" TWIN . . . . .	4
05 <sup>a</sup>	L69135	CYLINDER, LIFT . . . . .	2	18	L50056	5/16" FLANGE LOCK NUT . . . . .	AR
06	072580	ADAP., -10ORM -10JICM ST. . . . .	4				
07	50380310	HOSE, -10 A12/DS10 60" . . . . .	1				
08	50380310	HOSE, -10 A12/DS10 60" . . . . .	1				
09	50380310	HOSE, -10 A12/DS10 60" . . . . .	1				
10	50380310	HOSE, -10 A12/DS10 60" . . . . .	1				
11	056089	TEE MJ12-FJS12-MJ12 . . . . .	2				
12	055005	90 MJ12-MAORB12 . . . . .	2				
13	L69599	PIN, LIFT CYL. BASE END . . . . .	2				

- a Bushings are included with the lift cylinder.
- b Refer to page 46; items 13, 18-20 for lift cylinder hose clamp locations on the chassis cover.



  
 Frame Level  
 Cylinder  
 parts are  
 on page 238.



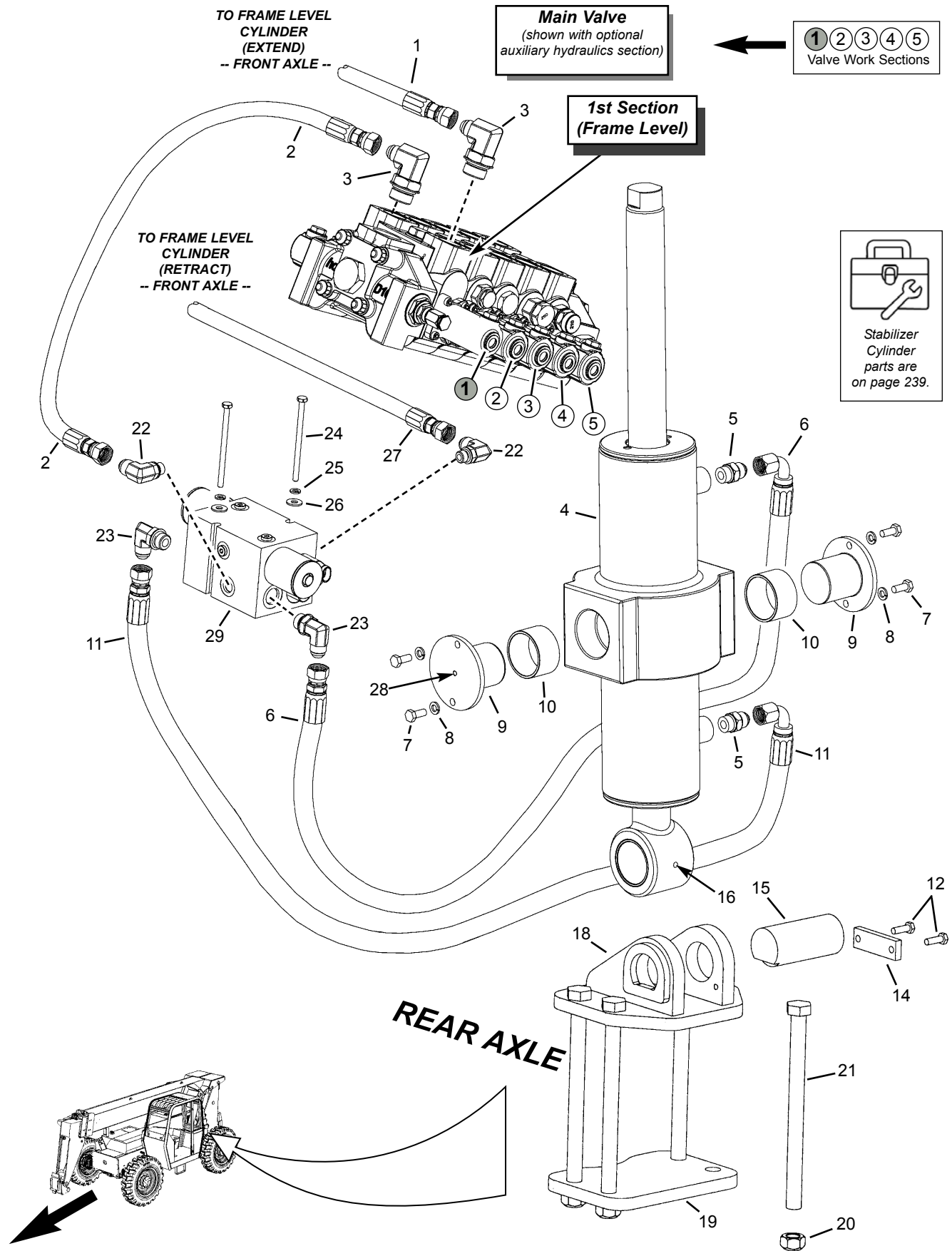


# Telescopic Handler

# Chassis Hydraulics

## Frame Level

Ref. No.	Part No.	Description	Qty. Req.	Ref. No.	Part No.	Description	Qty. Req.
01	102876	LEVEL CYLINDER .....	1	12	650487	5/16" X 1-1/4" BOLT .....	2
02	L64367	BRONZE BEARING .....	1	13	210447	PIVOT PIN ( <i>rod end</i> ) .....	1
03	L50277	3/8"-16X3-1/2" BOLT .....	1	14		FRAME LEVEL MNT ( <i>front axle</i> )...	1
04	L520005	3/8"-16 NYLON INSERT NUT .....	1		210558	<i>Note x</i>	
05	L63276	PIN, CYLINDER ( <i>base end</i> ) .....	1		210173	<i>Note y</i>	
06	L66017	ADAP., W/ORIFICE -8ORM -8JICM	1	15		PLATE, MOUNT .....	1
07	054816	ADAP., -8ORM -8JICM 90° .....	1		210572	<i>Note x</i>	
08		HOSE, -8 A8/A8 .....	1		210421	<i>Note y</i>	
	102860	<i>Note x (168" long)</i>		16	L50084	3/4"-10 STOVER NUT .....	4
	102873	<i>Note y (190" long)</i>		17		BOLT .....	4
09	102873	HOSE, -8 A8/A8 190" .....	1		L50712	( <i>Note x</i> )—3/4"-10X9" GR8	
10	L63016	BRONZE BEARING .....	1		651567	( <i>Note y</i> )—3/4"-10X10" GR8	
11	L63715	PLATE .....	1				
				x		<i>Only RS6-42 and RS8-42/44</i>	
				y		<i>Only RS10-44/55 and RS12-42</i>	

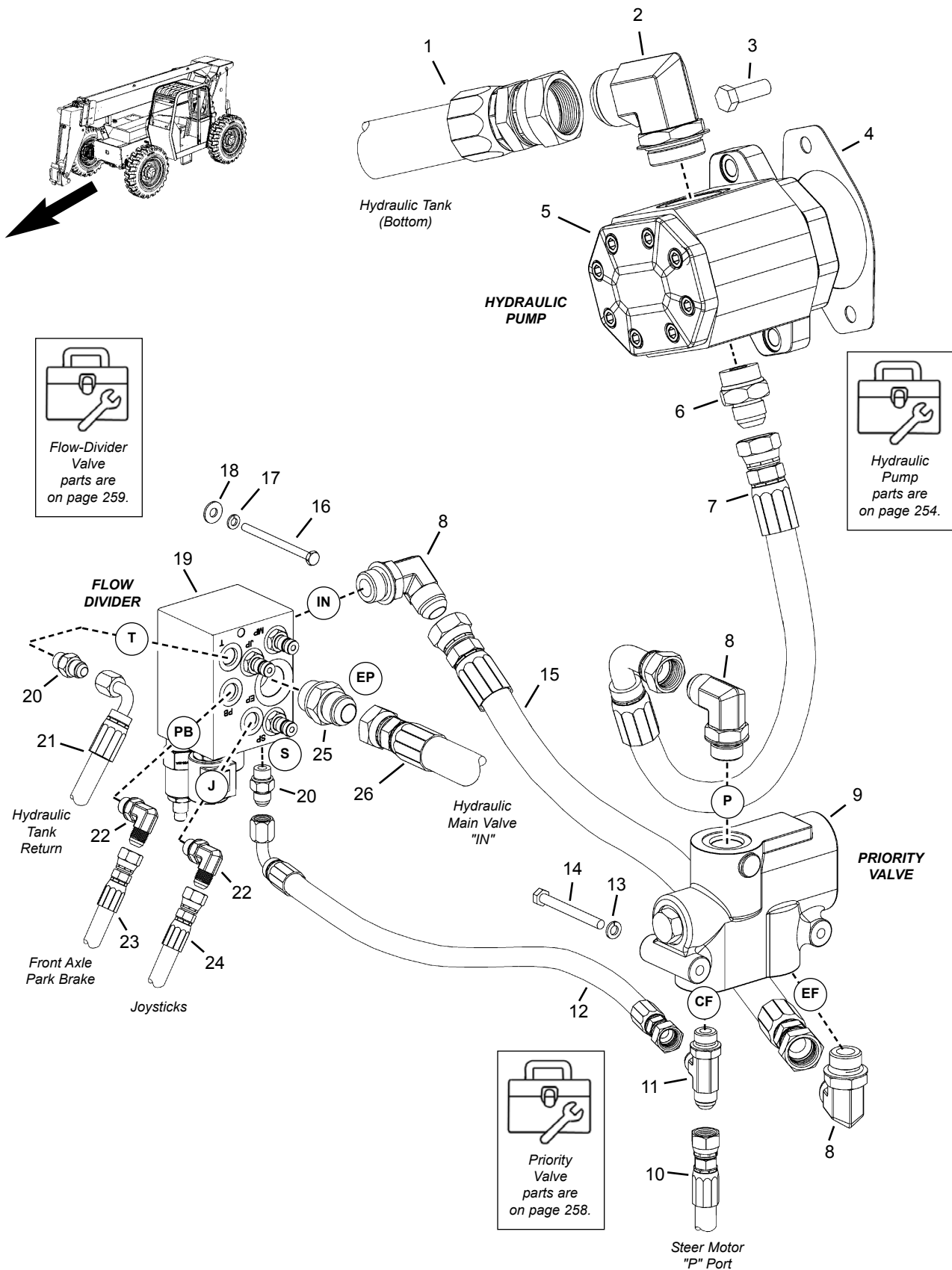


# Telescopic Handler

# Chassis Hydraulics Frame Stabilizing

Ref. No.	Part No.	Description	Qty. Req.	Ref. No.	Part No.	Description	Qty. Req.
01	102873	HOSE, -8 A8/A8 190" . . . . .	1	19		PLATE, MOUNT . . . . .	1
02	L68817	HOSE, -6 A8/A8 28" . . . . .	1		210572	<i>Note x</i>	
03	121775	ADAP., -12ORM -8JICM 90° . . . . .	2		210421	<i>Note y</i>	
04	102247	FRAME STABILIZING CYLINDER . . . . .	1	20	L50084	3/4"-10 NUT GR8 . . . . .	4
05	054626	ADAP., -8ORM -8JICM STR . . . . .	2	21		BOLT . . . . .	4
06	102858	HOSE, -8 A8/DS8 46" . . . . .	1		L50712	<i>(Note x)</i> —3/4"-10X9" GR8	
07	650486	5/16"-18X3/4" BOLT . . . . .	4		651567	<i>(Note y)</i> —3/4"-10X10" GR8	
08	654024	5/16" LOCK WASHER . . . . .	4	22	114824	ADAP., -6ORM -8JICM 90° . . . . .	2
09	L69776	TRUNNION PIVOT PIN . . . . .	2	23	054816	ADAP., -8ORM -8JICM 90° . . . . .	2
10	L69774	BUSHING . . . . .	2	24	102774	1/4"-20X4" BOLT GR5 . . . . .	2
11	102858	HOSE, -8 A8/DS8 46" . . . . .	1	25	L50139	1/4" LOCK WASHER . . . . .	2
12	650487	5/16" X 1-1/4" BOLT . . . . .	2	26	654002	FW 1/4" AWZY . . . . .	2
14	L63715	LOCK, PIVOT PIN . . . . .	1	27		HOSE, -8 A8/A8 . . . . .	1
15	210447	LEVEL CYL. PIN ( <i>rod end</i> ) . . . . .	1		102860	<i>Note x (168" long)</i>	
16	L10057	1/4"-28 ZERK 90° ( <i>not shown</i> ) . . . . .	1		102873	<i>Note y (190" long)</i>	
17	L69138	BUSHING ( <i>rod end</i> ) . . . . .	1	28	L10465	1/4"-28 ZERK STR ( <i>not shown</i> ) . . . . .	1
18		STABILIZING MOUNT ( <i>rear axle</i> ) . . . . .	1	29	102877	MANIFOLD, STABILIZING CYL. . . . .	1
	210168	<i>Note x</i>			50380318	WIRE HARNESS, STABILIZER . . . . .	1
	210198	<i>Note y</i>				<i>(not shown)</i>	
				x		<i>Only RS6-42 and RS8-42/44</i>	
				y		<i>Only RS10-44/55 and RS12-42</i>	

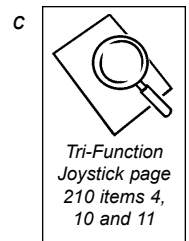
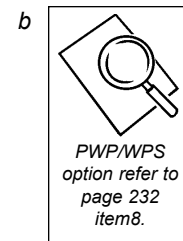
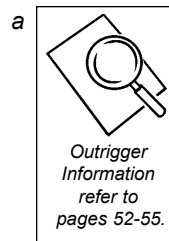
## Hydraulic Pump and Flow Divider Circuit



## Hydraulic Pump and Flow Divider Circuit

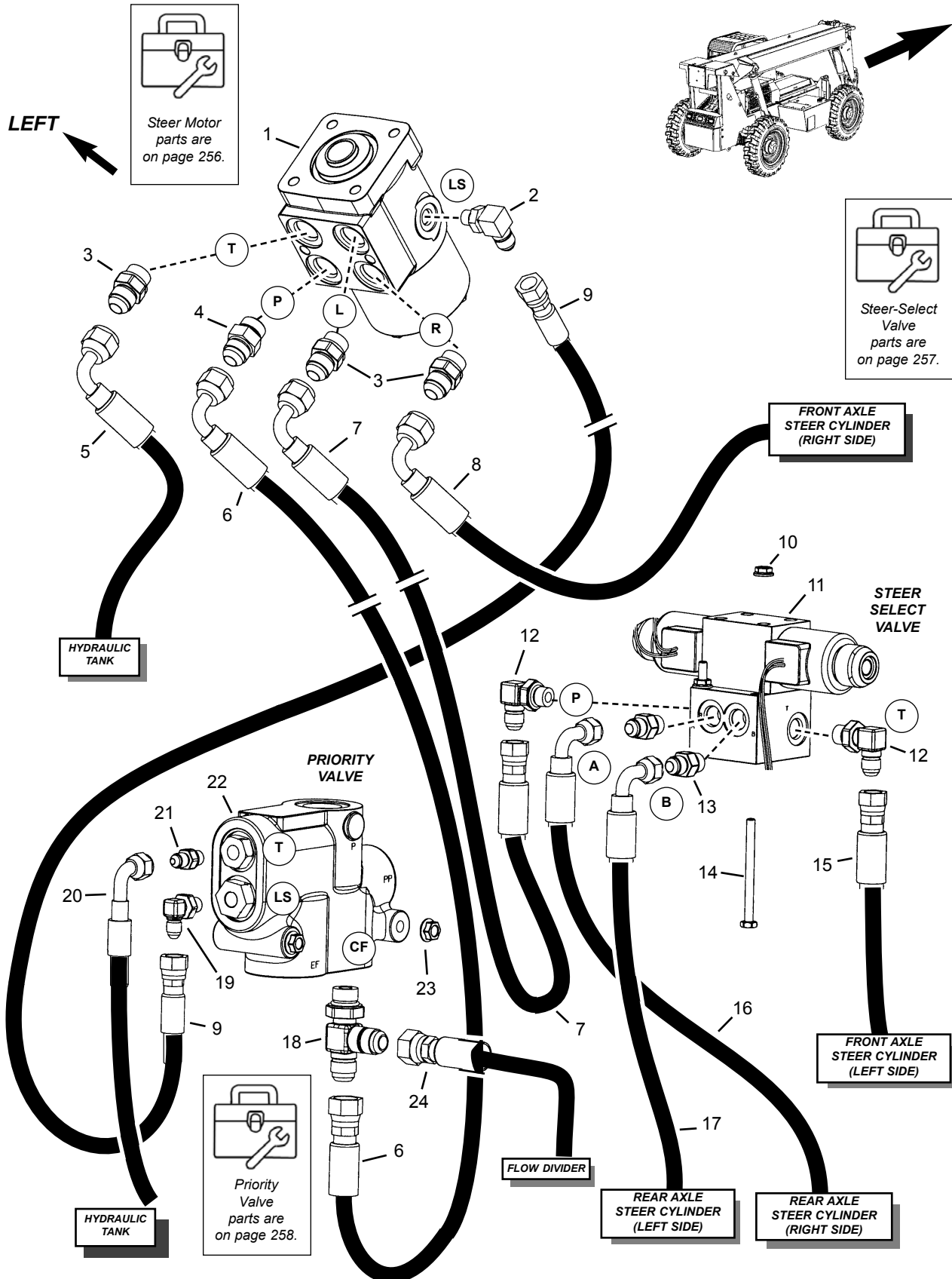
Ref. No.	Part No.	Description	Qty. Req.	Ref. No.	Part No.	Description	Qty. Req.
01	L63309	HOSE, -24 A24/A24 35" . . . . .	1	22	068938	90 MJ06-MAORB06 . . . . .	2
02	L445010	ADAP., -24ORM -24JICM 90° . . . . .	1	23	102839	HOSE, -6 A6/A6 57" . . . . .	1
03	650453	CS 1/2"x1-1/2" C5ZY . . . . .	2	24 <sup>b</sup>		HOSE, -4 A6/A6 . . . . .	1
04	L46865	GASKET . . . . .	1		102786	Standard Equipped—54" long	
05	102498	HYDRAULIC PUMP . . . . .	1		L63381	PWP/WPS Equipped—15" long	
06	121774	ST MJ12-MORB16 . . . . .	1	25 <sup>a</sup>	072587	ADAP., -12ORM -12JICM . . . . .	1
07	104092	HOSE, -12 A12/DM12 23" . . . . .	1	26 <sup>a</sup>	L63406	HOSE, -12 A12/DS12 114" . . . . .	1
08	055005	ADAP., -12ORM -12JICM . . . . .	3				
09	104132	PRIORITY VALVE . . . . .	1				
10	102835	HOSE, -6 A8/DS8 50" . . . . .	1	a			
11	114742	ADAP., -8ORM -8JICM TEE . . . . .	1				
12	102836	HOSE, -6 A8/DS6 19" . . . . .	1				
13	654024	LW 5/16 RZY . . . . .	2				
14	650833	CS 5/16"x3" C5ZY . . . . .	2				
15	L64311	HOSE, -12 A12/A12 21" . . . . .	1				
16	L50217	CS 1/4-20x3-1/2" C5ZY . . . . .	2				
17	L50139	LW 1/4" . . . . .	2				
18	654002	FW 1/4" AWZY . . . . .	2	b			
19	102313	FLOW DIVIDER VALVE . . . . .	1				
20	054994	ADAP., -6ORM -6JICM . . . . .	2				
21 <sup>c</sup>	102946	HOSE, -6 A6/DS6 18" . . . . .	1				

- a If the unit is equipped with the outrigger option, there will be two additional hoses: hose P/N 102814 (-12 A12/DS12 74" ) attaches to fitting (item #10) and the outrigger valve; hose P/N 210799 (-12 H12/A12 41") returns from the outrigger valve and connects to the existing hose—item 11. For more outrigger information refer to pages 52-55.
- b If the unit is equipped with the PWP/WPS option, use hose L63381 (15" long) to connect to the "P" port on the PWP/WPS valve. Also, units with the single (Tri-Function) joystick have a tee fitting between the 90° fitting and the hose, refer to page 232; item 8.
- c Units with the single (Tri-Function) joystick will have tee fitting between this hose and the straight fitting shown here. Refer to page 210 items 4, 10, and 11 for more information.



### HOSE LOCATOR

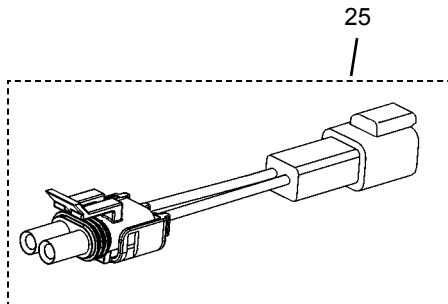
01	HYDRAULIC PUMP "IN"	HYDRAULIC TANK "BOTTOM - OUT"
07	HYDRAULIC PUMP "OUT"	PRIORITY VALVE "P" (top of valve)
10	PRIORITY VALVE "CF" (bottom of valve - tee)	STEER MOTOR "P"
12	PRIORITY VALVE "CF" (bottom of valve - tee)	FLOW DIVIDER "S" (bottom of valve)
15	PRIORITY VALVE "EF" (bottom of valve)	FLOW DIVIDER "IN" (side)
21	FLOW DIVIDER "T" (front of valve)	HYDRAULIC TANK RETURN (return manifold)
23	FLOW DIVIDER "PB" (front of valve)	FRONT AXLE (park brake port)
24 <sup>b</sup>	FLOW DIVIDER "J" (front of valve)	JOYSTICK POWER ("P" on joystick)
24 <sup>b</sup>	FLOW DIVIDER "J" (front of valve)	PWP/WPS VALVE ("P")
26 <sup>a</sup>	FLOW DIVIDER "EP" (front of valve) (STANDARD)	MAIN VALVE "IN"
26 <sup>a</sup>	OUTRIGGER VALVE/HOSE (OUTRIGGER OPTION)	MAIN VALVE "IN"




# Telescopic Handler

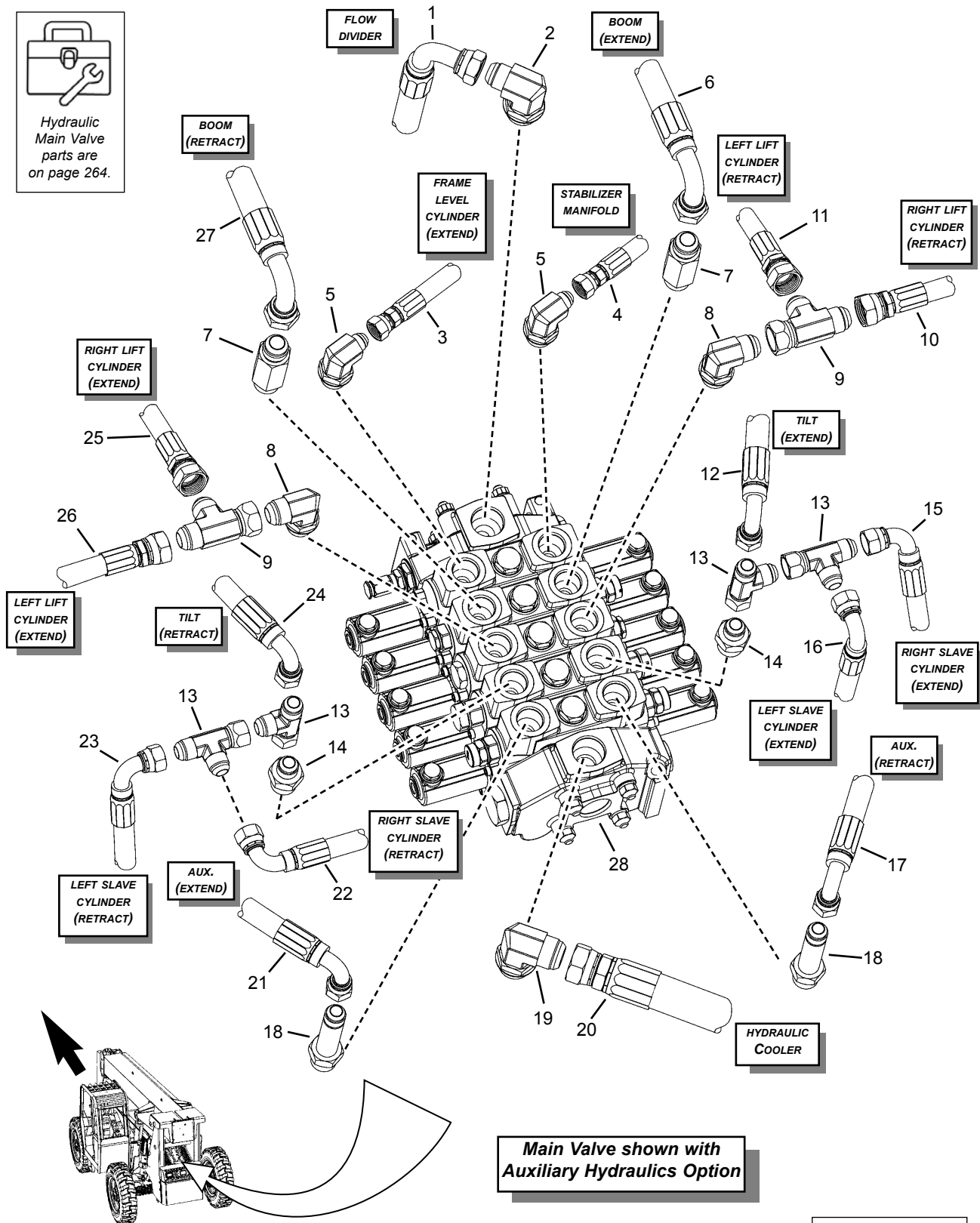
# Hydraulics Steering

Ref. No.	Part No.	Description	Qty. Req.	Ref. No.	Part No.	Description	Qty. Req.
01	101880	STEER MOTOR	1	15		HOSE, -6 A6/A8.	1
02	095601	ADAP., -4ORM -4JICM 90°	1		102848	(Note x)—48" long	
03	054626	ADAP., -8ORM -8JICM STR	3		L69933	(Note y)—56" long	
04	L64524	VALVE, CHECK	1	16	L69936	HOSE, -6 A6/A8 100"	1
05	L63383	HOSE, -6 A6/DS8 52"	1	17	L69936	HOSE, -6 A6/A8 100"	1
06	102835	HOSE, -6 A8/DS8 50"	1	18	114742	ADAP., -8ORM -8JICM TEE	1
07	102846	HOSE, -6 A6/DS8 58"	1	19	095601	ADAP., -4ORM -4JICM 90°	1
08		HOSE, -6 A8/DS8	1	20	L69904	HOSE, -4 A6/DS6 20"	1
	102847	(Note x)—82" long		21	129124	ADAP., -6ORM -4JICM STR	1
	210460	(Note y)—98" long		22	104132	PRIORITY VALVE	1
09	102837	HOSE, -4 A4/A4 52"	1	23	L50056	5/16"-18 WHIZ LOCK NUT	2
10	L50051	1/4"-20 WHIZ LOCK NUT	2	24	102836	HOSE, -6 A8/DS6 19"	1
11	L69747	VALVE, STEER SELECT	1	25	50380338	WIRE HARNESS, JUMPER (steer select valve)	2
12	068938	ADAP., -6ORM -6JICM 90°	2				
13	054994	ADAP., -6ORM -6JICM STR	2				
14	L50535	1/4"-20X3" BOLT	2	x		Only RS6-42 and RS8-42/44	
				y		Only RS10-44/55 and RS12-42	



STEER SELECT VALVE JUMPER WIRE

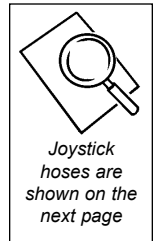
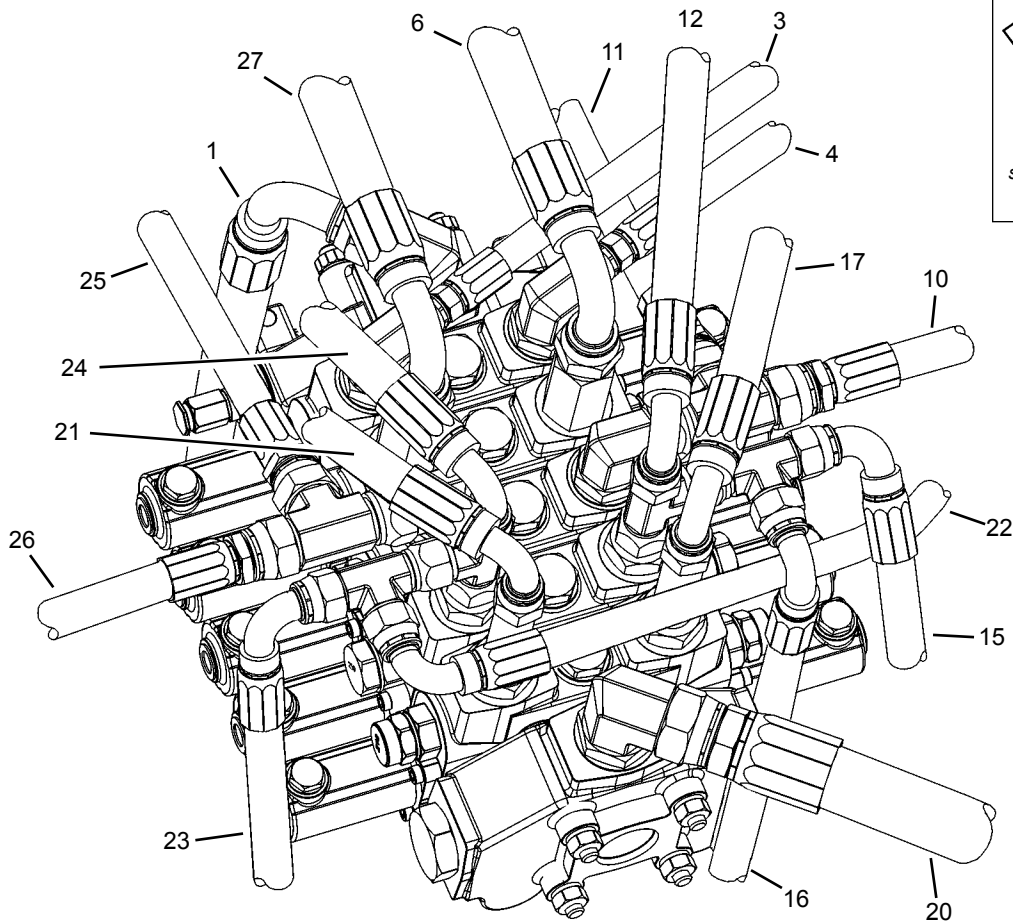
  
Hydraulic Main Valve parts are on page 264.



**1 2 3 4 5**  
Valve Work Sections



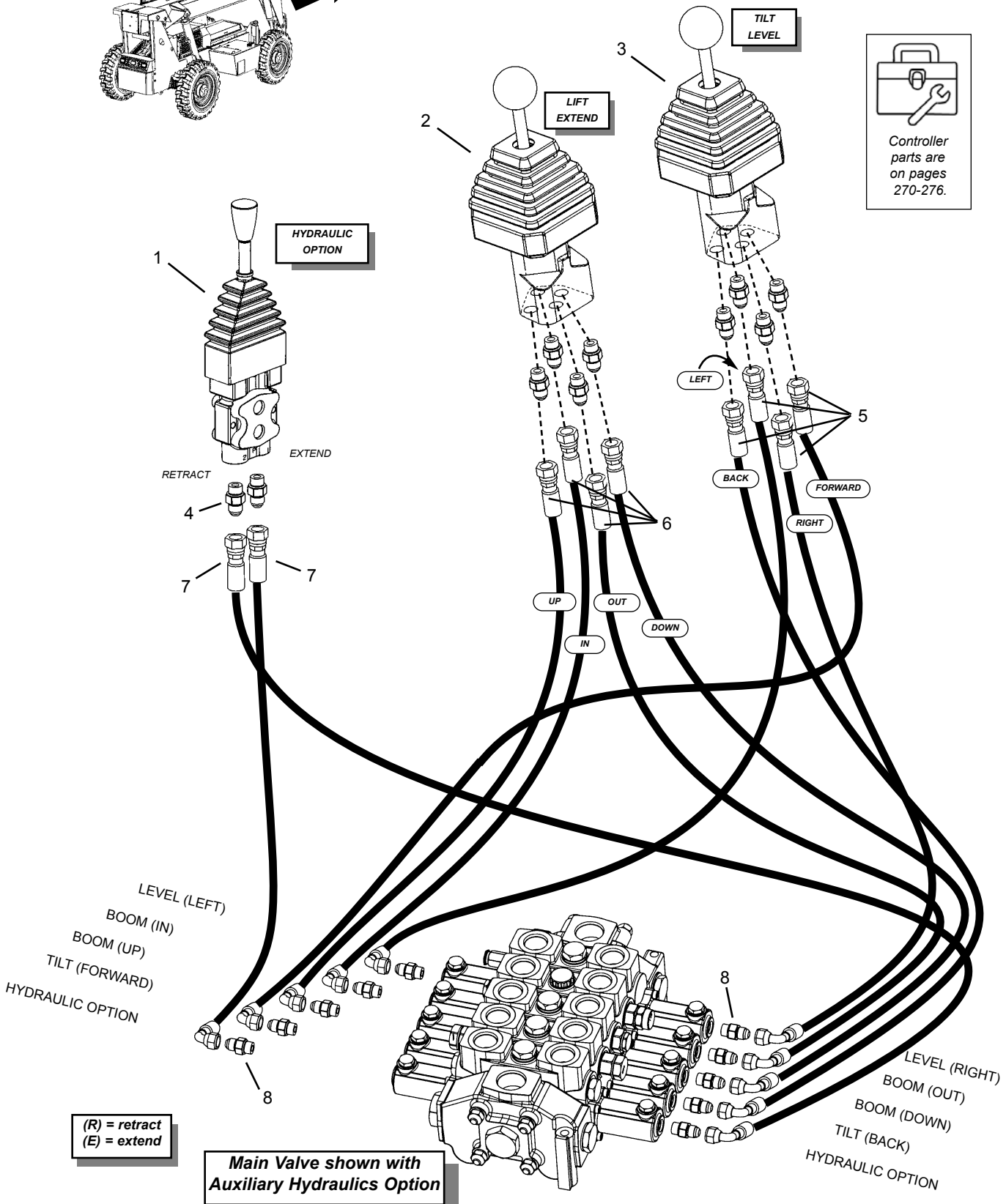
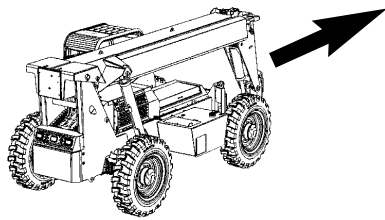
Ref. No.	Part No.	Description	Qty. Req.	Ref. No.	Part No.	Description	Qty. Req.
01	L63406	HOSE, -12 A12//DS12 114" . . . . .	1	16	187351	HOSE, -8 A8/DS10 62" . . . . .	1
02	121684	ADAP., -16ORM -12JICM 90° . . . . .	1	17	210428	HOSE, -10 H10/DS10 52" . . . . .	1
03	102873	HOSE, -8 A8/A8 190" . . . . .	1	18	210385	ADAP., -12ORM -10JICM LNG . . . . .	2
04	L68817	HOSE, -8 A8/A8 28" . . . . .	1	19	077965	ADAP., -16ORM -16JICM . . . . .	1
05	121775	ADAP., -12ORM -8JICM 90° . . . . .	2	20	102849	HOSE, -16 A16/A16 42" . . . . .	1
06	210429	HOSE, -12 H12/DS12 50" . . . . .	1	21	210428	HOSE, -10 H10/DS10 52" . . . . .	1
07	188973	ADAP., -12ORM -12JICM LNG . . . . .	2	22	187351	HOSE, -8 A8/DS10 62" . . . . .	1
08	055005	ADAP., -12ORM -12JICM . . . . .	2	23	187351	HOSE, -8 A8/DS10 62" . . . . .	1
09	056089	ADAP., -12 SWVL RUN TEE . . . . .	2	24	210428	HOSE, -10 H10/DS10 52" . . . . .	1
10	50380310	HOSE, -10 A12/DS10 60" . . . . .	1	25	50380310	HOSE, -10 A12/DS10 60" . . . . .	1
11	50380310	HOSE, -10 A12/DS10 60" . . . . .	1	26	50380310	HOSE, -10 A12/DS10 60" . . . . .	1
12	210428	HOSE, -10 H10/DS10 52" . . . . .	1	27	210429	HOSE, -12 H12/DS12 50" . . . . .	1
13	058610	ADAP., -10 SWVL RUN TEE . . . . .	4	28		MAIN VALVE . . . . .	1
14	072602	ADAP., -12ORM -10JICM . . . . .	2		102356	<i>Without Aux. Hydraulics (4-sections)</i>	
15	187351	HOSE, -8 A8/DS10 62" . . . . .	1		210320	<i>With Aux. Hydraulics (5-sections)</i>	



# Hydraulics

## Main Valve - Dual Controllers

RS Series



# Telescopic Handler

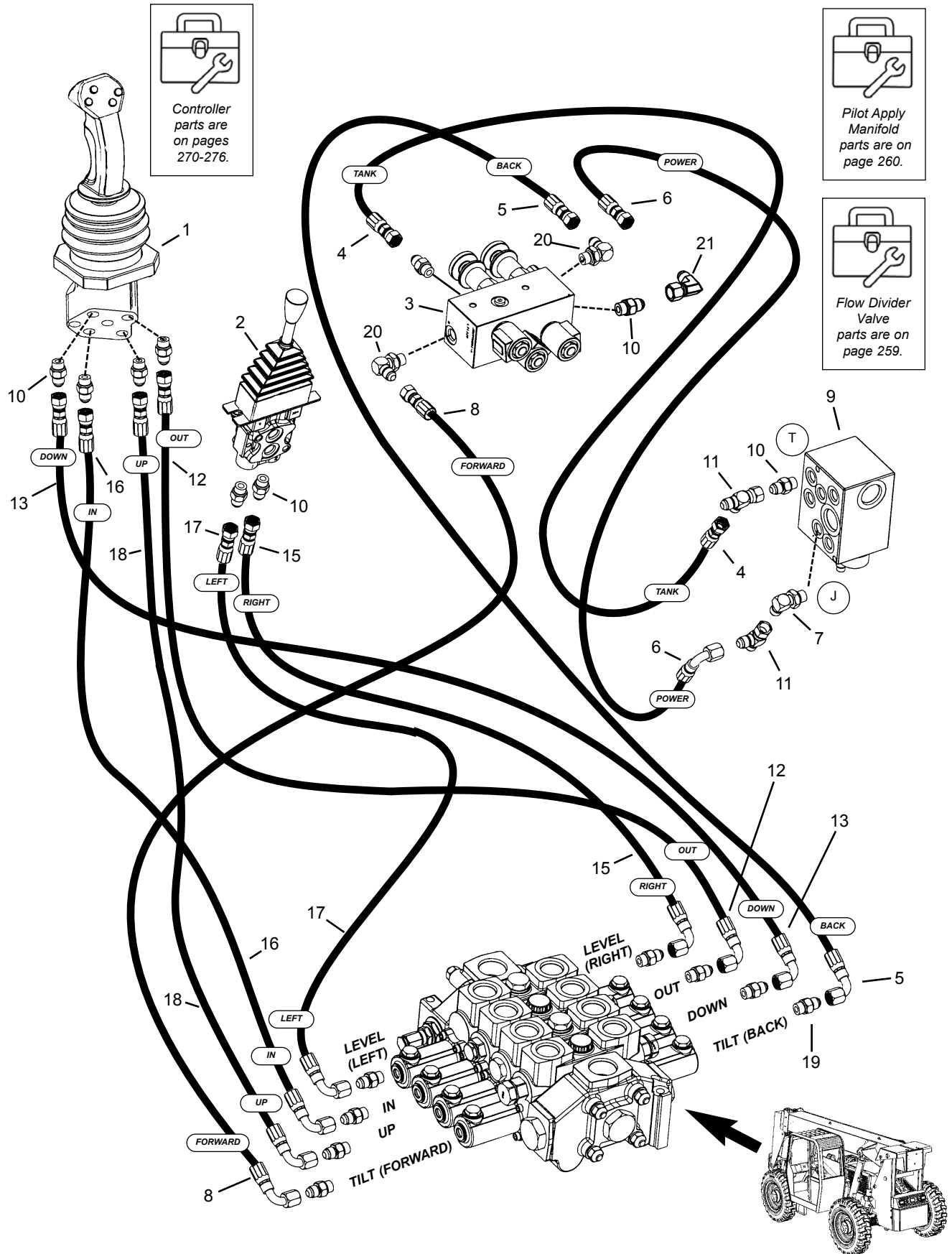
# Hydraulics

## *Main Valve - Dual Controllers*

---

Ref. No.	Part No.	Description	Qty. Req.	Ref. No.	Part No.	Description	Qty. Req.
01	102435	CONTROLLER, AUX. HYD . . . . .	1	05	102845	HOSE, -4 A6/DS6 120" . . . . .	4
02	102434	CONTROLLER, LIFT/EXTEND . . . . .	1	06	102844	HOSE, -4 A6/DS6 108" . . . . .	4
03	102784	CONTROLLER, TILT/LEVEL . . . . .	1	07	102831	HOSE, -4 A6/DS6 102" . . . . .	2
04	054994	ADAP., -6ORM -6JICM STR. . . . .	AR	08	103194	ADAP., 1/4BSP -6JICM STR. . . . .	AR

## Main Valve - Tri-Function Controller



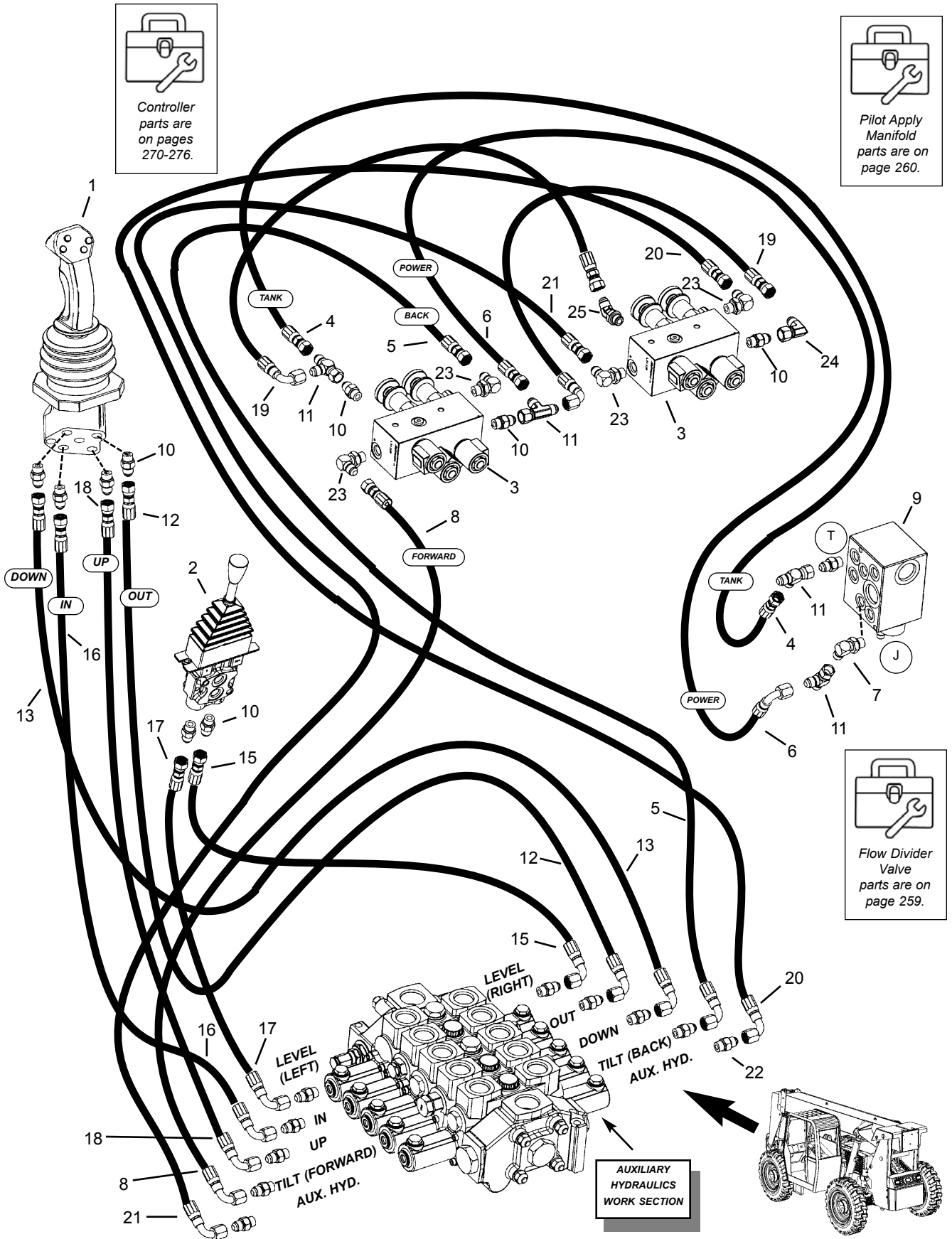
# Telescopic Handler

# Hydraulics

## Main Valve - Tri-Function Controller

Ref. No.	Part No.	Description	Qty. Req.	Ref. No.	Part No.	Description	Qty. Req.
01	104083	CONTROLLER, TRI-FUNCTION ..	1	13	102845	HOSE, -4 A6/DS6 120" .....	1
02	102435	CONTROLLER .....	1	15	102844	HOSE, -4 A6/DS6 108" .....	1
03	106898	PILOT APPLY MANIFOLD.....	1	16	102845	HOSE, -4 A6/DS6 120" .....	1
04	102786	HOSE, -4 A6/A6 54" .....	1	17	102844	HOSE, -4 A6/DS6 108" .....	1
05	L68809	HOSE, -4 A6/DS6 136" .....	1	18	102845	HOSE, -4 A6/DS6 120" .....	1
06	103318	HOSE, -4 A6/DS6 52" .....	1	19	103194	ADAP., 1/4BSP -6JICM STR....	AR
07	068938	ADAP., -6ORM -6JICM 90° .....	1	20	068938	ADAP., -6ORM -6JICM 90° .....	2
08	102845	HOSE, -4 A6/DS6 120" .....	1	21	091039	ADAP., 90 MJ06-FJS06.....	1
09	102313	FLOW DIVIDER VALVE .....	1				
10	054994	ADAP., -6ORM -6JICM STR.....	AR				
11	072806	ADAP., -6JIC SWIVEL .....	AR				
12	102845	HOSE, -4 A6/DS6 120" .....	1				
						<b>-- ITEMS NOT SHOWN--</b>	
				--	104216	HARNES, TRI-FUNCTION CTRL .	1

## Main Valve - Tri-Function Controller - w/Auxiliary Hydraulics



# Telescopic Handler

# Hydraulics

## Main Valve - Tri-Function Controller - w/Auxiliary Hydraulics

Ref. No.	Part No.	Description	Qty. Req.	Ref. No.	Part No.	Description	Qty. Req.
01	104083	CONTROLLER, TRI-FUNCTION ..	1	16	102845	HOSE, -4 A6/DS6 120" .....	1
02	102435	CONTROLLER .....	1	17	102844	HOSE, -4 A6/DS6 108" .....	1
03	106898	PILOT APPLY MANIFOLD. ....	2	18	102845	HOSE, -4 A6/DS6 120" .....	1
04	102786	HOSE, -4 A6/A6 54" .....	1	19	L69903	HOSE, -4 A6/DS6 17" .....	2
05	L68809	HOSE, -4 A6/DS6 136" .....	1	20	104221	HOSE, -4 A6/DS6 165" .....	1
06	103318	HOSE, -4 A6/DS6 52" .....	1	21	104220	HOSE, -4 A6/DS6 156" .....	1
07	068938	ADAP., -6ORM -6JICM 90° .....	AR	22	103194	ADAP., 1/4BSP -6JICM STR. ....	AR
08	102845	HOSE, -4 A6/DS6 120" .....	1	23	068938	ADAP., -6ORM -6JICM 90° .....	4
09	102313	FLOW DIVIDER VALVE .....	1	24	091039	ADAP., 90 MJ06-FJS06 .....	1
10	054994	ADAP., -6ORM -6JICM STR. ....	AR	25	079026	ADAP., 45 MJ06-MAORB06 .....	1
11	072806	ADAP., -6JIC SWIVEL .....	AR				
12	102845	HOSE, -4 A6/DS6 120" .....	1	--	104216	<b>-- ITEMS NOT SHOWN--</b> HARNESS, TRI-FUNCTION CNTL. 1	
13	102845	HOSE, -4 A6/DS6 120" .....	1				
15	102844	HOSE, -4 A6/DS6 108" .....	1				



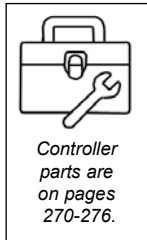
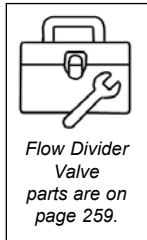
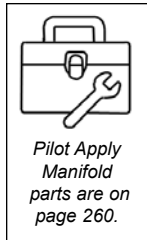


# Telescopic Handler

# Hydraulics

## Main Valve - Tri-Function Controller - w/PWP

Ref. No.	Part No.	Description	Qty. Req.	Ref. No.	Part No.	Description	Qty. Req.
01	104083	CONTROLLER, TRI-FUNCTION ..	1	13	102845	HOSE, -4 A6/DS6 120" .....	1
02	102435	CONTROLLER .....	1	15	102844	HOSE, -4 A6/DS6 108" .....	1
03	106898	PILOT APPLY MANIFOLD. ....	1	16	102845	HOSE, -4 A6/DS6 120" .....	1
04	102786	HOSE, -4 A6/A6 54" .....	1	17	102844	HOSE, -4 A6/DS6 108" .....	1
05	L68809	HOSE, -4 A6/DS6 136" .....	1	18	102845	HOSE, -4 A6/DS6 120" .....	1
06	103318	HOSE, -4 A6/DS6 52" .....	1	19	103194	ADAP., 1/4BSP -6JICM STR....	AR
07	091039	ADAP., 90 MJ06-FJS06.....	1	20	102321	PWP/WPS VALVE .....	1
08	102845	HOSE, -4 A6/DS6 120" .....	1	21	068938	ADAP., -6ORM -6JICM 90° .....	2
09	102313	FLOW DIVIDER VALVE .....	1				
10	054994	ADAP., -6ORM -6JICM STR....	AR				
11	072806	ADAP., -6JIC SWIVEL .....	AR				
12	102845	HOSE, -4 A6/DS6 120" .....	1				
				--	104216	-- <b>ITEMS NOT SHOWN</b> -- HARNESS, TRI-FUNCTION CTRL.	1



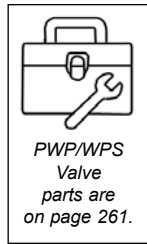
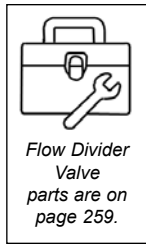
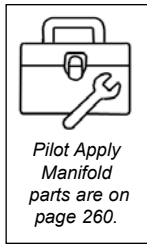
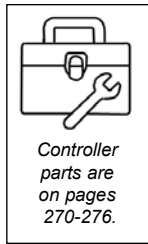


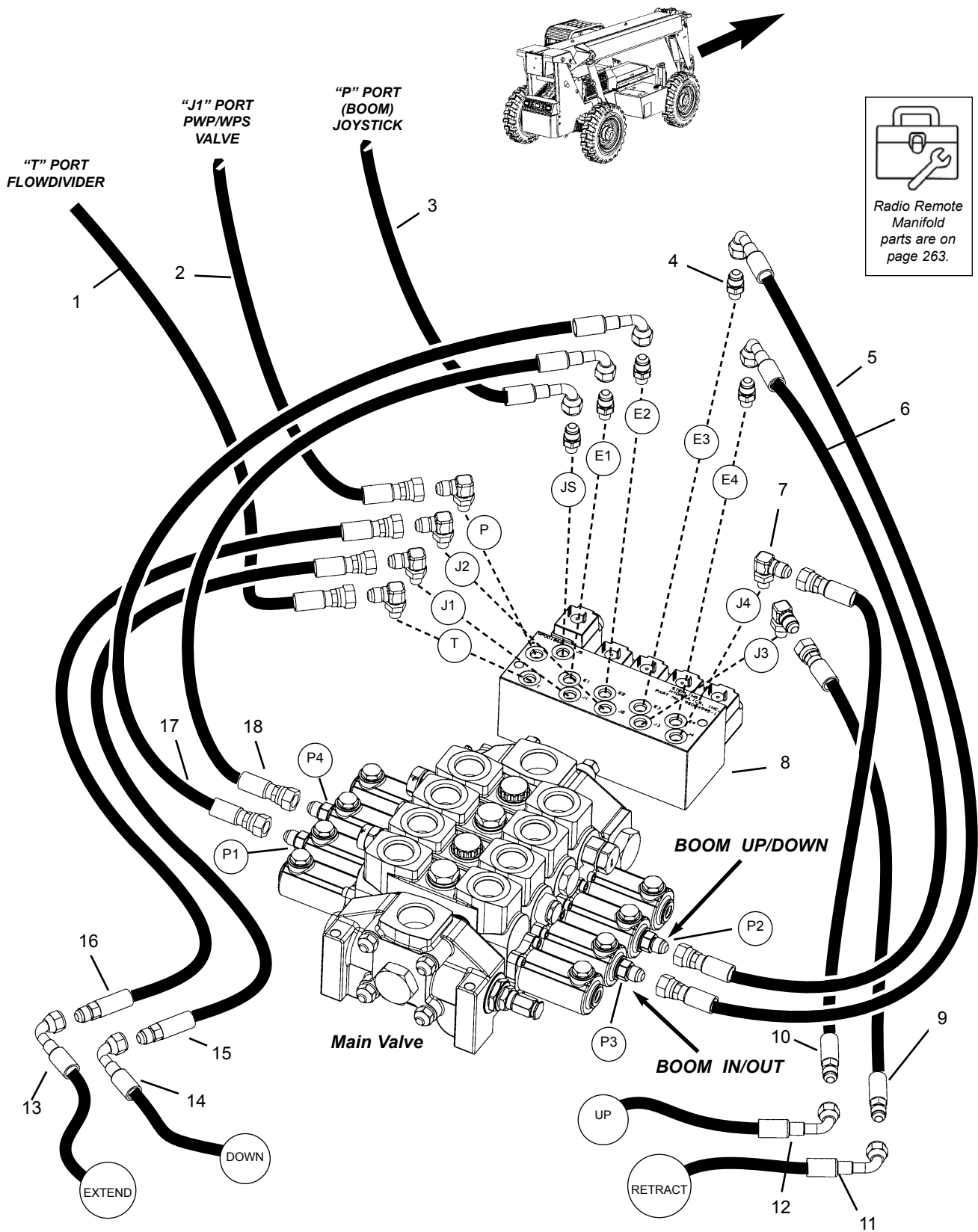
# Telescopic Handler

# Hydraulics

## Main Valve - Tri-Function Controller - w/PWP and Auxiliary Hydraulics

Ref. No.	Part No.	Description	Qty. Req.	Ref. No.	Part No.	Description	Qty. Req.
01	104083	CONTROL, TRI-FUNCTION	1	16	102845	HOSE, -4 A6/DS6 120"	1
02	102435	CONTROLLER	1	17	102844	HOSE, -4 A6/DS6 108"	1
03	106898	PILOT APPLY MANIFOLD.	2	18	102845	HOSE, -4 A6/DS6 120"	1
04	102786	HOSE, -4 A6/A6 54"	1	19	L69903	HOSE, -4 A6/DS6 17"	2
05	L68809	HOSE, -4 A6/DS6 136"	1	20	104221	HOSE, -4 A6/DS6 165"	1
06	103318	HOSE, -4 A6/DS6 52"	1	21	104220	HOSE, -4 A6/DS6 156"	1
07	079026	ADAP., 45 MJ06-MAORB06	1	22	103194	ADAP., 1/4BSP -6JICM STR.... AR	1
08	102845	HOSE, -4 A6/DS6 120"	1	23	102321	MANIFOLD, PWP/WPS	1
09	102313	FLOW DIVIDER VALVE	1	24	068938	ADAP., -6ORM -6JICM 90°	4
10	054994	ADAP., -6ORM -6JICM STR.... AR	1	25	091039	ADAP., 90 MJ06-FJS06.	1
11	072806	ADAP., -6JIC SWIVEL	AR				
12	102845	HOSE, -4 A6/DS6 120"	1				
13	102845	HOSE, -4 A6/DS6 120"	1				
15	102844	HOSE, -4 A6/DS6 108"	1				
						<b>-- ITEMS NOT SHOWN--</b>	
				--	104216	WIRE HARNESS, TRI-FUNCTION.	1





# Telescopic Handler

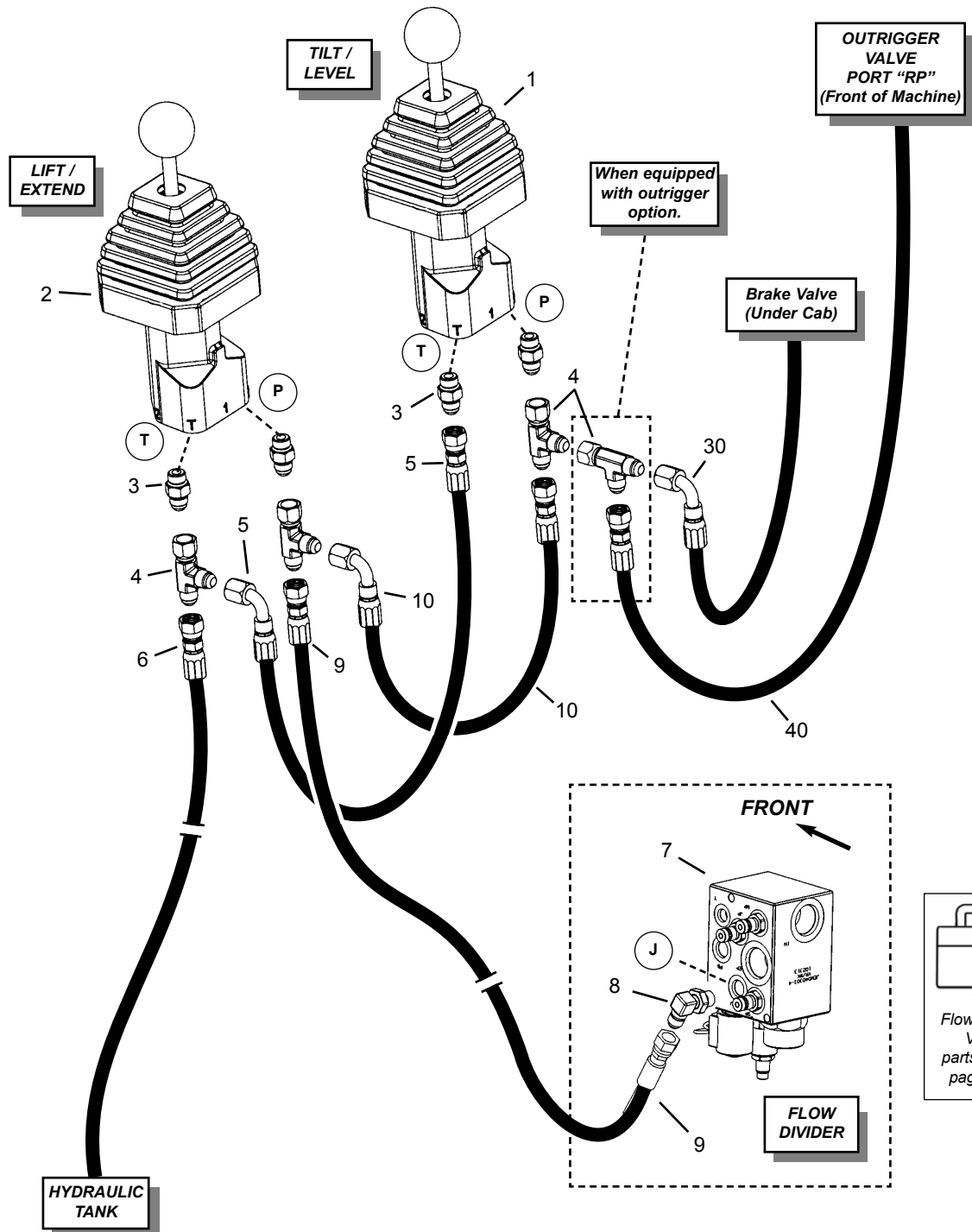
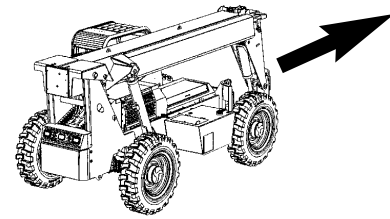
# Hydraulics

## Main Valve - Radio Remote Option

Ref. No.	Part No.	Description	Qty. Req.	Ref. No.	Part No.	Description	Qty. Req.
01	L69905	HOSE, -6 A6/A6 130" . . . . .	1	10	L69902	HOSE, -6 A6/H6 20" . . . . .	1
02	L69906	HOSE, -6 A6/A6 110" . . . . .	1	11	102844	HOSE, -4 A6/DS6 108" . . . . .	4
03	103505	HOSE, -4 H6/A6 109" . . . . .	1	12	102844	HOSE, -4 A6/DS6 108" . . . . .	4
04	129124	ADAP., -4ORM -6JICM STR . . . . .	5	13	102844	HOSE, -4 A6/DS6 108" . . . . .	4
05	L68804	HOSE, -4 A6/DS6 26" . . . . .	1	14	102844	HOSE, -4 A6/DS6 108" . . . . .	4
06	L68804	HOSE, -4 A6/DS6 26" . . . . .	1	15	L69902	HOSE, -6 A6/H6 20" . . . . .	1
07	137784	ADAP., -4ORM -6JICM 90° . . . . .	6	16	L69902	HOSE, -6 A6/H6 20" . . . . .	1
08	103413	MANIFOLD, RADIO REMOTE . . . . .	1	17	L68804	HOSE, -4 A6/DS6 26" . . . . .	1
09	L69902	HOSE, -6 A6/H6 20" . . . . .	1	18	L68804	HOSE, -4 A6/DS6 26" . . . . .	1



Controller parts are on pages 270-276.



Flow Divider Valve parts are on page 259.

# Telescopic Handler

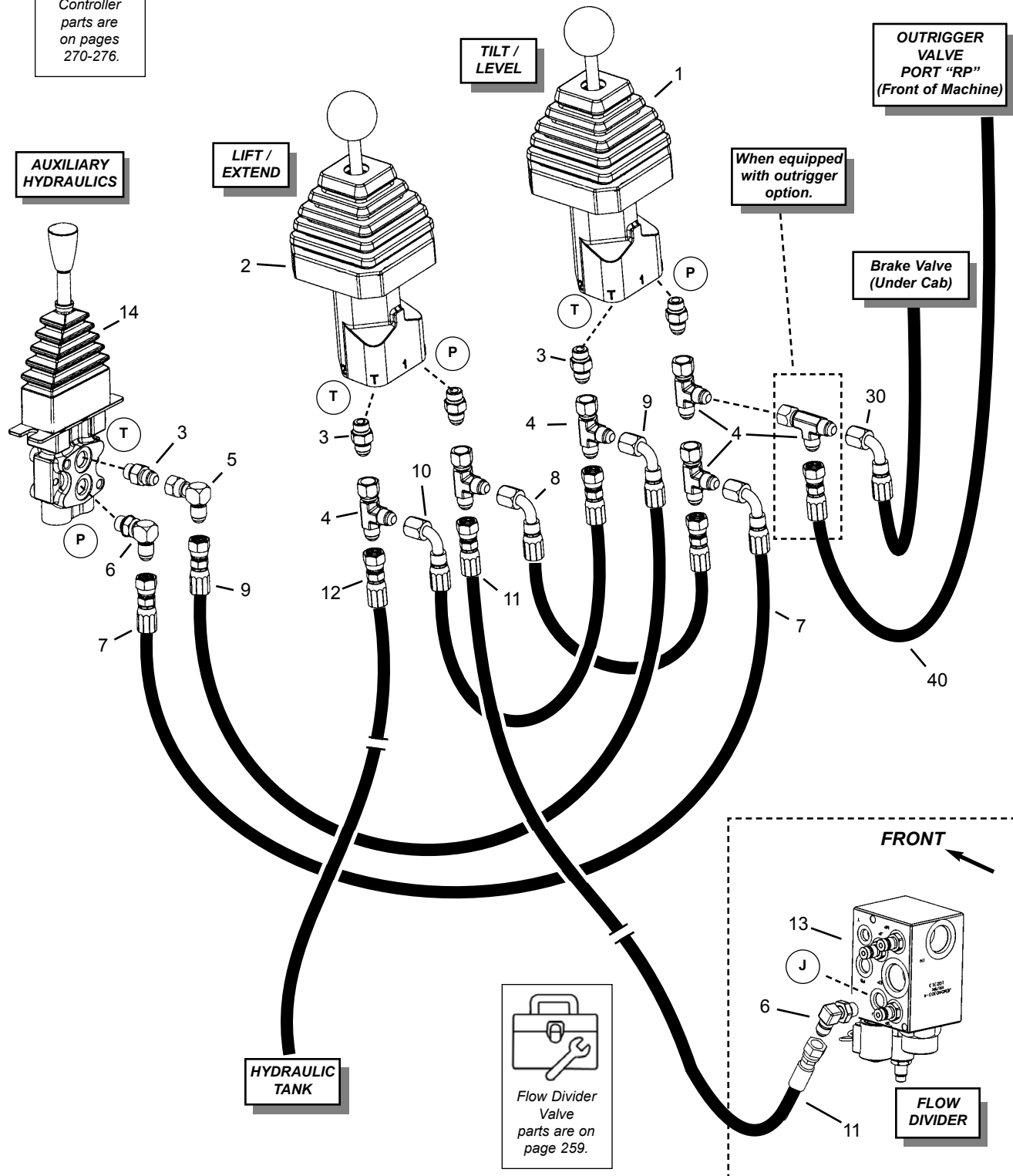
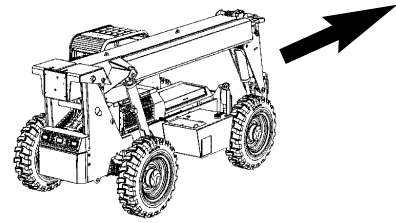
# Hydraulics Dual Controllers

Ref. No.	Part No.	Description	Qty. Req.	Ref. No.	Part No.	Description	Qty. Req.
01	102784	CONTROLLER, TILT/LEVEL . . . . .	1	07	102313	FLOW DIVIDER VALVE . . . . .	1
02	102434	CONTROLLER, LIFT/EXTEND . . . . .	1	08	068938	ADAP., -6ORM -6JICM 90° . . . . .	1
03	054994	ADAP., -6ORM -6JICM STR . . . . .	4	09	102786	HOSE, -4 A6/A6 54" . . . . .	1
04	072806	ADAP., -6 SWIVEL RUN TEE . . . . .	AR	10	L69903	HOSE, -4 A6/DS6 17" . . . . .	1
05	L69903	HOSE, -4 A6/DS6 17" . . . . .	1	30	102843	HOSE, -4 A6/DS6 35" . . . . .	1
06	102843	HOSE, -4 A6/DS6 35" . . . . .	1	40 <sup>a</sup>	L68810	HOSE, -4 A6/A6 96" . . . . .	1

*a When equipped with outrigger option.*



Controller parts are on pages 270-276.





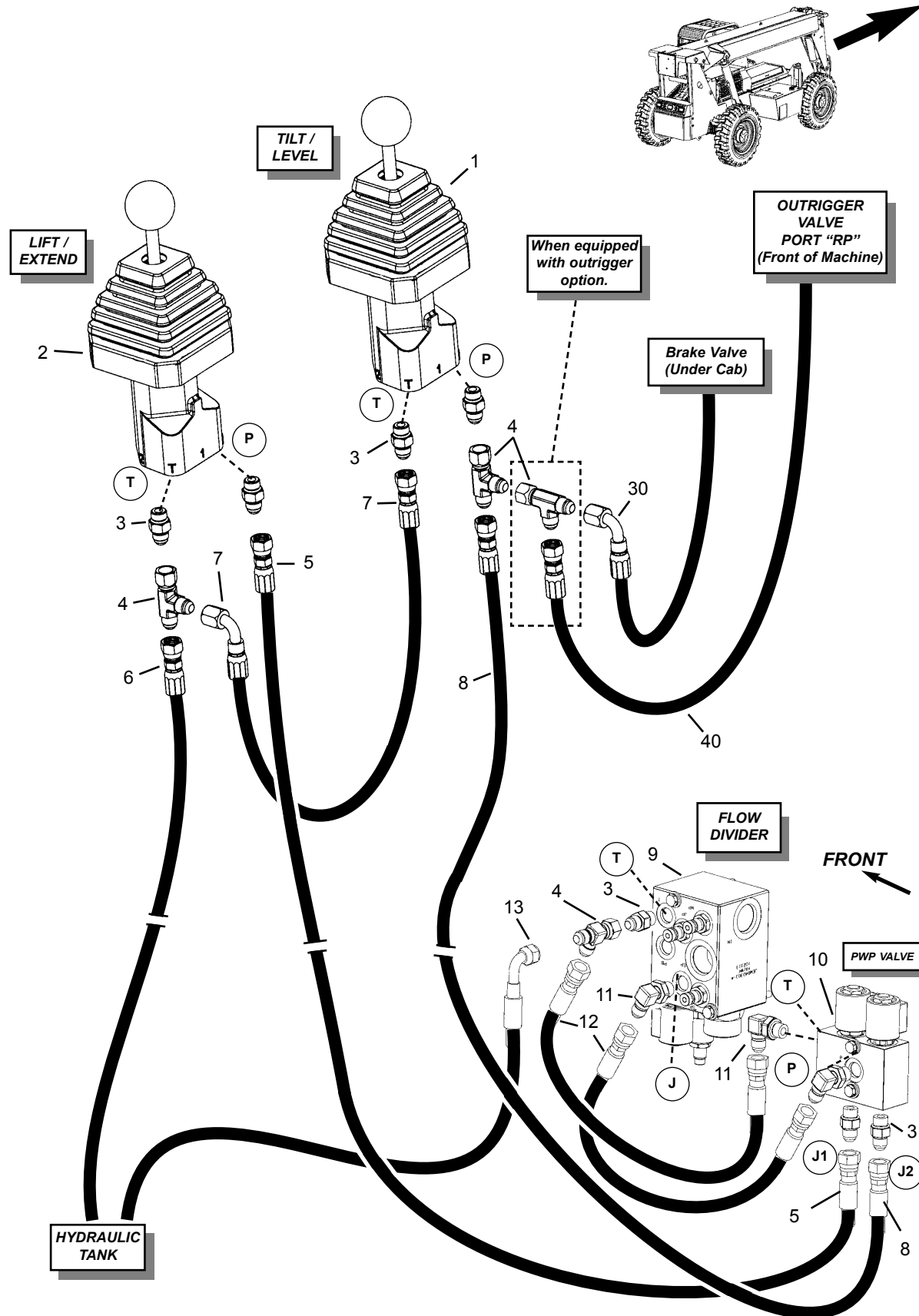
# Telescopic Handler

# Hydraulics

## Dual Controllers - with Auxiliary Hydraulics

Ref. No.	Part No.	Description	Qty. Req.	Ref. No.	Part No.	Description	Qty. Req.
01	102784	CONTROLLER, TILT/LEVEL . . . . .	1	09	L68804	HOSE, -4 A6/DS6 26" . . . . .	1
02	102434	CONTROLLER, LIFT/EXTEND . . . . .	1	10	L69903	HOSE, -4 A6/DS6 17" . . . . .	1
03	054994	ADAP, -6ORM -6JICM STR . . . . .	AR	11	102786	HOSE, -4 A6/A6 54" . . . . .	1
04	072806	ADAP, -6 SWIVEL RUN TEE . . . . .	AR	12	102843	HOSE, -4 A6/DS6 35" . . . . .	1
05	091039	ADAP, -6JICM -6JICFS 90° . . . . .	AR	13	102313	FLOW DIVIDER VALVE . . . . .	1
06	068938	ADAP, -6ORM -6JICM 90° . . . . .	AR	14	102435	CONTROLLER, AUX. HYD. . . . .	1
07	L68804	HOSE, -4 A6/DS6 26" . . . . .	1	30	102843	HOSE, -4 A6/DS6 35" . . . . .	1
08	L69903	HOSE, -4 A6/DS6 17" . . . . .	1	40 <sup>a</sup>	L68810	HOSE, -4 A6/A6 96" . . . . .	1

a When equipped with outrigger option.



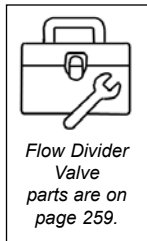
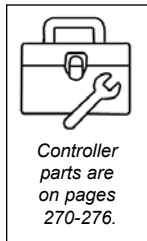
# Telescopic Handler

# Hydraulics

## Dual Controllers - with PWP

Ref. No.	Part No.	Description	Qty. Req.	Ref. No.	Part No.	Description	Qty. Req.
01	102784	CONTROLLER, TILT/LEVEL . . . . .	1	09	102313	FLOW DIVIDER VALVE . . . . .	1
02	102434	CONTROLLER, LIFT/EXTEND . . . . .	1	10	102321	PWP/WPS VALVE . . . . .	1
03	054994	ADAP, -6ORM -6JICM STR . . . . .	AR	11	068938	ADAP, -6ORM -6JICM 90° . . . . .	2
04	072806	ADAP, -6 SWIVEL RUN TEE . . . . .	AR	12	L63381	HOSE, -4 A6/A6 15" . . . . .	2
05	102786	HOSE, -4 A6/A6 54" . . . . .	1	13	102946	HOSE, -6AS/DS6 18" . . . . .	1
06	102843	HOSE, -4 A6/DS6 35" . . . . .	1	30	102843	HOSE, -4 A6/DS6 35" . . . . .	1
07	L69903	HOSE, -4 A6/DS6 17" . . . . .	1	40 <sup>a</sup>	L68810	HOSE, -4 A6/A6 96" . . . . .	1
08	102786	HOSE, -4 A6/A6 54" . . . . .	1				

a When equipped with outrigger option.








# Telescopic Handler

# Hydraulics

## Dual Controllers - with PWP/Auxiliary Hydraulics

Ref. No.	Part No.	Description	Qty. Req.	Ref. No.	Part No.	Description	Qty. Req.
01	102784	CONTROLLER, TILT/LEVEL . . . . .	1	12	102843	HOSE, -4 A6/DS6 35" . . . . .	1
02	102434	CONTROLLER, LIFT/EXTEND . . . . .	1	13	102313	FLOW DIVIDER VALVE . . . . .	1
03	054994	ADAP, -6ORM -6JICM STR . . . . .	AR	14	102321	PWP/WPS VALVE . . . . .	1
04	072806	ADAP, -6 SWIVEL RUN TEE . . . . .	AR	15	L63381	HOSE, -4 A6/A6 15" . . . . .	1
05	091039	ADAP, -6JICM -6JICFS 90° . . . . .	AR	16	102435	CONTROLLER, AUX. HYD. . . . .	1
06	068938	ADAP, -6ORM -6JICM 90° . . . . .	AR	17	102946	HOSE, -6 A6/DS6 18" . . . . .	1
07	L68804	HOSE, -4 A6/DS6 26" . . . . .	1	30	102843	HOSE, -4 A6/DS6 35" . . . . .	1
08	102786	HOSE, -4 A6/A6 54" . . . . .	1	40 <sup>a</sup>	L68810	HOSE, -4 A6/A6 96" . . . . .	1
09	L68804	HOSE, -4 A6/DS6 26" . . . . .	1				
10	L69903	HOSE, -4 A6/DS6 17" . . . . .	1				
11	102786	HOSE, -4 A6/A6 54" . . . . .	1				

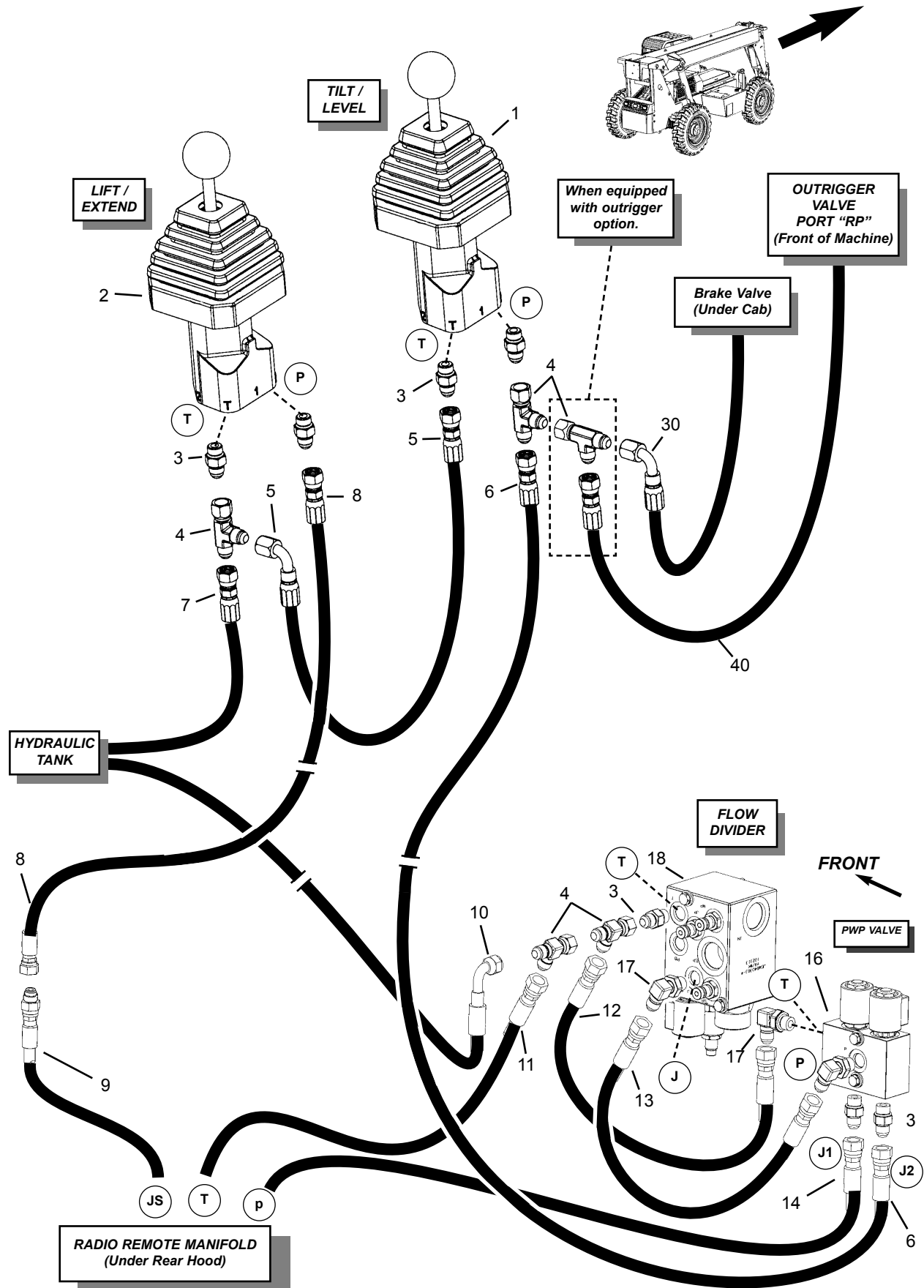
*a When equipped with outrigger option.*

 <p>Controller parts are on pages 270-276.</p>	 <p>Flow Divider Valve parts are on page 259.</p>	 <p>PWP/WPS Valve parts are on page 261.</p>
---	--	---

# Hydraulics

## Dual Controllers - Radio Remote

# RS Series



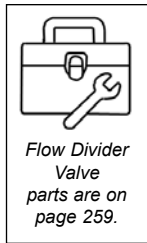
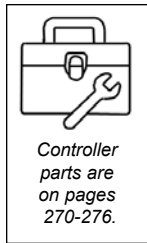
# Telescopic Handler

# Hydraulics

## Dual Controllers - Radio Remote

Ref. No.	Part No.	Description	Qty. Req.	Ref. No.	Part No.	Description	Qty. Req.
01	102784	CONTROLLER, TILT/LEVEL.....	1	11	L69905	HOSE, -6 A6/A6 130" .....	1
02	102434	CONTROLLER, LIFT/EXTEND....	1	12	L63381	HOSE, -4 A6/A6 15" .....	1
03	054994	ADAP, -6ORM -6JICM STR.....	AR	13	L63381	HOSE, -4 A6/A6 15" .....	1
04	072806	ADAP, -6 SWIVEL RUN TEE....	AR	14	L69906	HOSE, -6 A6/A6 110" .....	1
05	L69903	HOSE, -4 A6/DS6 17" .....	1	16	102321	PWP/WPS VALVE .....	1
06	102786	HOSE, -4 A6/A6 54" .....	1	17	068938	ADAP, -6ORM -6JICM 90° .....	AR
07	102843	HOSE, -4 A6/D6 35" .....	1	18	102313	FLOW DIVIDER VALVE .....	1
08	102786	HOSE, -4 A6/A6 54" .....	1	30	102843	HOSE, -4 A6/DS6 35" .....	1
09	103505	HOSE, -4 H6/A6 109" .....	1	40 <sup>a</sup>	L68810	HOSE, -4 A6/A6 96" .....	1
10	102946	HOSE, -6 A6/DS6 18" .....	1				

a When equipped with outrigger option.



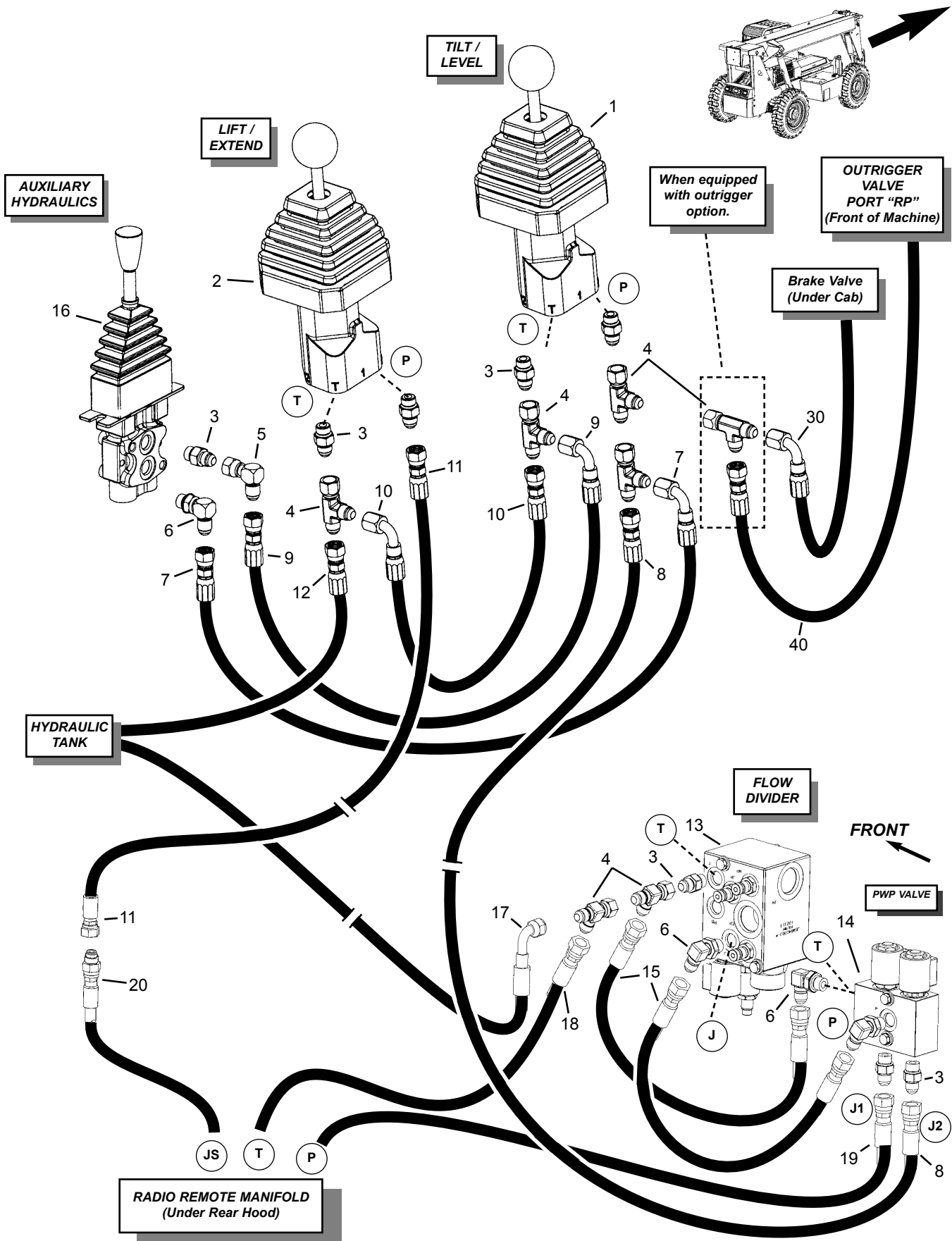
### HOSE LOCATOR

09	CONNECTS TO LIFT/EXTEND "P" HOSE	RADIO REMOTE MANIFOLD "JS" PORT
11	TEE ON FLOW DIVER "T" PORT	RADIO REMOTE MANIFOLD "T" PORT
14	PWP/WPS VALVE "JI" PORT	RADIO REMOTE MANIFOLD "P" PORT

# Hydraulics

# RS Series

## Dual Controllers - Radio Remote - with Auxiliary Hydraulics





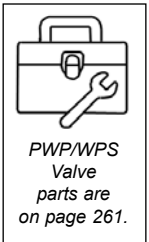
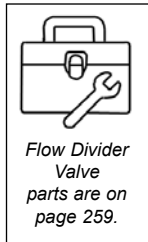
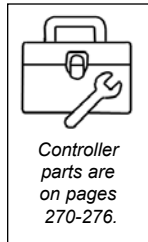
# Telescopic Handler

# Hydraulics

## Dual Controllers - Radio Remote - with Auxiliary Hydraulics

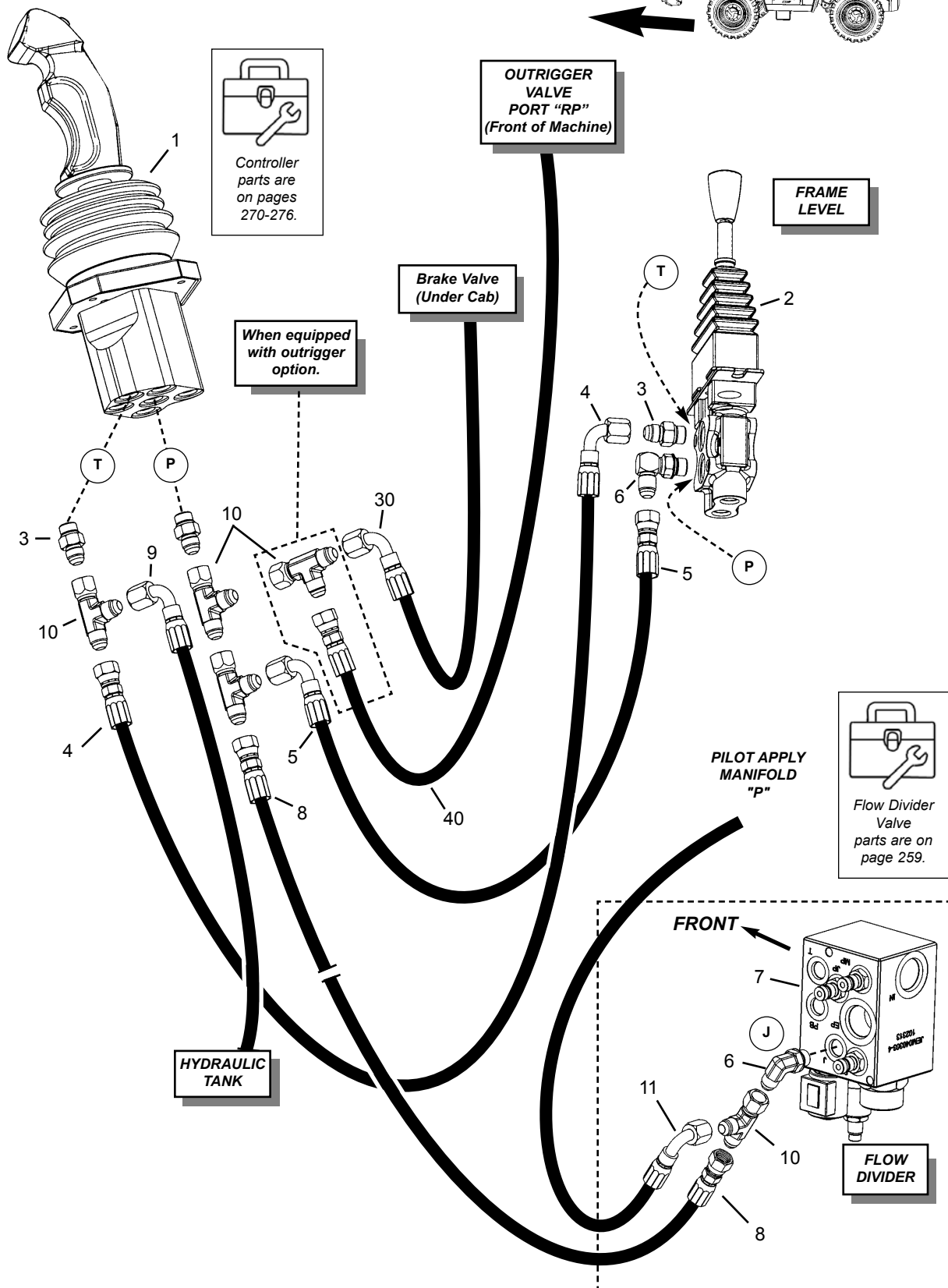
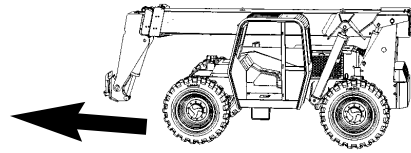
Ref. No.	Part No.	Description	Qty. Req.	Ref. No.	Part No.	Description	Qty. Req.
01	102784	CONTROLLER, TILT/LEVEL.....	1	13	102313	FLOW DIVIDER VALVE .....	1
02	102434	CONTROLLER, LIFT/EXTEND.....	1	14	102321	PWP/WPS VALVE .....	1
03	054994	ADAP., -6ORM -6JICM STR.....	AR	15	L63381	HOSE, -4 A6/A6 15" .....	1
04	072806	ADAP., -6 SWIVEL RUN TEE....	AR	16	102435	CONTROLLER, AUX. HYD.....	1
05	091039	ADAP., -6JICM -6JICFS 90°.....	AR	17	102946	HOSE, -6 A6/DS6 18" .....	1
06	068938	ADAP., -6ORM -6JICM 90°.....	AR	18	L69905	HOSE, -6 A6/A6 130" .....	1
07	L68804	HOSE, -4 A6/DS6 26" .....	1	19	L69906	HOSE, -6 A6/A6 110" .....	1
08	102786	HOSE, -4 A6/A6 54" .....	1	20	103505	HOSE, -4 H6/A6 109" .....	1
09	L68804	HOSE, -4 A6/DS6 26" .....	1	30	102843	HOSE, -4 A6/DS6 35" .....	1
10	L69903	HOSE, -4 A6/DS6 17" .....	1	40 <sup>a</sup>	L68810	HOSE, -4 A6/A6 96" .....	1
11	102786	HOSE, -4 A6/A6 54" .....	1				
12	102843	HOSE, -4 A6/DS6 35" .....	1				

a When equipped with outrigger option.



### HOSE LOCATOR

18	TEE ON FLOW DIVER "T" PORT	RADIO REMOTE MANIFOLD "T" PORT
19	PWP/WPS VALVE "JI" PORT	RADIO REMOTE MANIFOLD "P" PORT
20	CONNECTS TO LIFT/EXTEND "P" HOSE	RADIO REMOTE MANIFOLD "JS" PORT



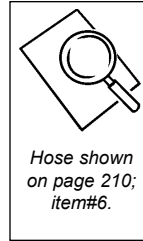
# Telescopic Handler

# Hydraulics Tri-Function Controller

Ref. No.	Part No.	Description	Qty. Req.	Ref. No.	Part No.	Description	Qty. Req.
01	104083	CONTROLLER, TRI-FUNCTION	1	08	102786	HOSE, -4 A6/A6 54"	1
02	102435	CONTROLLER	1	09	102843	HOSE, -4 A6/DS6 35"	1
03	054994	ADAP., -6ORM -6JICM STR	3	10	072806	ADAP., -6JIC SWIVEL	3
04	L69903	HOSE, -4 A6/DS6 17"	1	11 <sup>b</sup>	103318	HOSE, -4 A6/DS6 52"	1
05	L69903	HOSE, -4 A6/DS6 17"	1	30	102843	HOSE, -4 A6/DS6 35"	1
06	068938	ADAP., -6ORM -6JICM 90°	2	40 <sup>a</sup>	L68810	HOSE, -4 A6/A6 96"	1
07	102313	FLOW DIVIDER VALVE	1				

a When equipped with outrigger option.

b








# Telescopic Handler

# Hydraulics

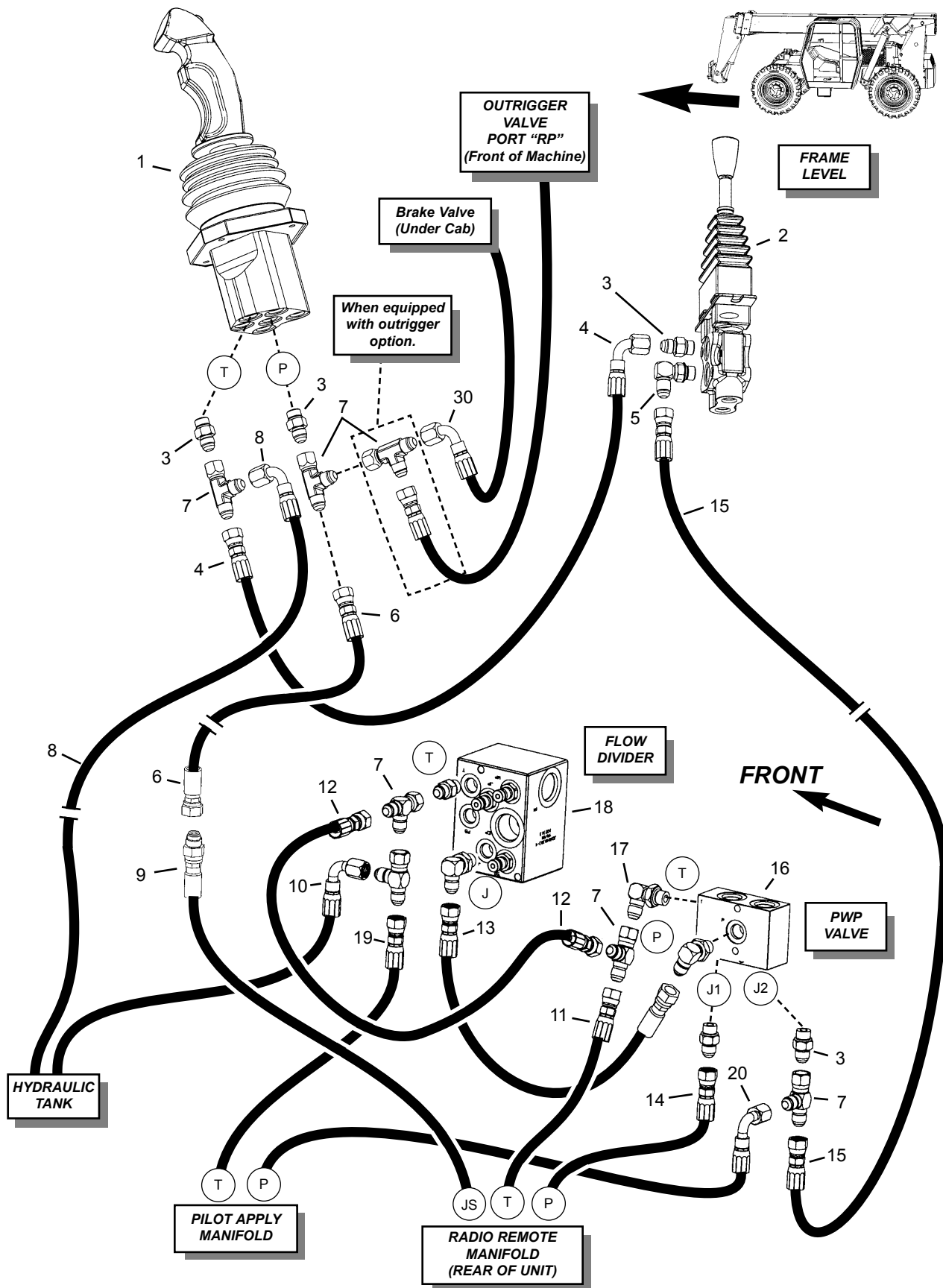
## Tri-Function Controller - with PWP

Ref. No.	Part No.	Description	Qty. Req.	Ref. No.	Part No.	Description	Qty. Req.
01	104083	CONTROL, TRI-FUNCTION	1	12	072806	ADAP., -6JIC SWIVEL	AR
02	102435	CONTROLLER	1	13	102843	HOSE, -4 A6/DS6 35"	1
03	054994	ADAP., -6ORM -6JICM STR.	AR	14 <sup>b</sup>	103318	HOSE, -4 A6/DS6 52"	1
04	L69903	HOSE, -4 A6/DS6 17"	1	30	102843	HOSE, -4 A6/DS6 35"	1
05	068938	ADAP., -6ORM -6JICM 90°	AR	40 <sup>a</sup>	L68810	HOSE, -4 A6/A6 96"	1
06	102786	HOSE, -4 A6/A6 54"	1				
07	102313	FLOW DIVIDER VALVE	1				
08	102321	MANIFOLD, PWP	1				
09	102786	HOSE, -4 A6/A6 54"	1				
10	L63381	HOSE, -4 A6/A6 15"	3				
11	102946	HOSE, -6 A6/DS6 18"	1				

*a* When equipped with outrigger option.  
*b* Attaches to "P" (power) on the pilot apply manifold; refer to page 210; item 6.

 Controller parts are on pages 270-276.	 Flow Divider Valve parts are on page 259.	 PWP/WPS Valve parts are on page 261.
---	--	---

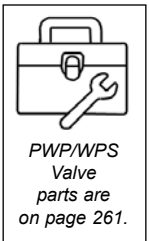
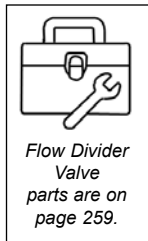
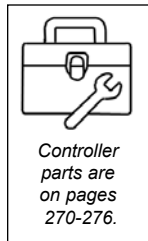
## Tri-Function Controller - Radio Remote



## Tri-Function Controller - Radio Remote

Ref. No.	Part No.	Description	Qty. Req.	Ref. No.	Part No.	Description	Qty. Req.
01	104083	CONTROLLER, TRI-FUNCTION . . .	1	13	L63381	HOSE, -4 A6/A6 15" . . . . .	1
02	102435	CONTROLLER . . . . .	1	14	L69906	HOSE, -6 A6/A6 110" . . . . .	1
03	054994	ADAP., -6ORM -6JICM STR. . . . .	AR	15	102786	HOSE, -4 A6/A6 54" . . . . .	1
04	L69903	HOSE, -4 A6/DS6 17" . . . . .	1	16	102321	PWP/WPS VALVE . . . . .	1
05	068938	ADAP., -6ORM -6JICM 90°. . . . .	AR	17	068938	ADAP., -6ORM -6JICM 90°. . . . .	2
06	102786	HOSE, -4 A6/A6 54" . . . . .	1	18	102313	FLOW DIVIDER VALVE . . . . .	1
07	072806	ADAP., -6 SWIVEL RUN TEE. . . . .	AR	19	102786	HOSE, -4 A6/A6 54" . . . . .	1
08	102843	HOSE, -4 A6/D6 35" . . . . .	1	20	103318	HOSE, -4 A6/DS6 52" . . . . .	1
09	103505	HOSE, -4 H6/A6 109" . . . . .	1	30	102843	HOSE, -4 A6/DS6 35" . . . . .	1
10	102946	HOSE, -6 A6/DS6 18" . . . . .	1	40 <sup>a</sup>	L68810	HOSE, -4 A6/A6 96" . . . . .	1
11	L69905	HOSE, -6 A6/A6 130" . . . . .	1				
12	L63381	HOSE, -4 A6/A6 15" . . . . .	1				

*a When equipped with outrigger option.*



### HOSE LOCATOR

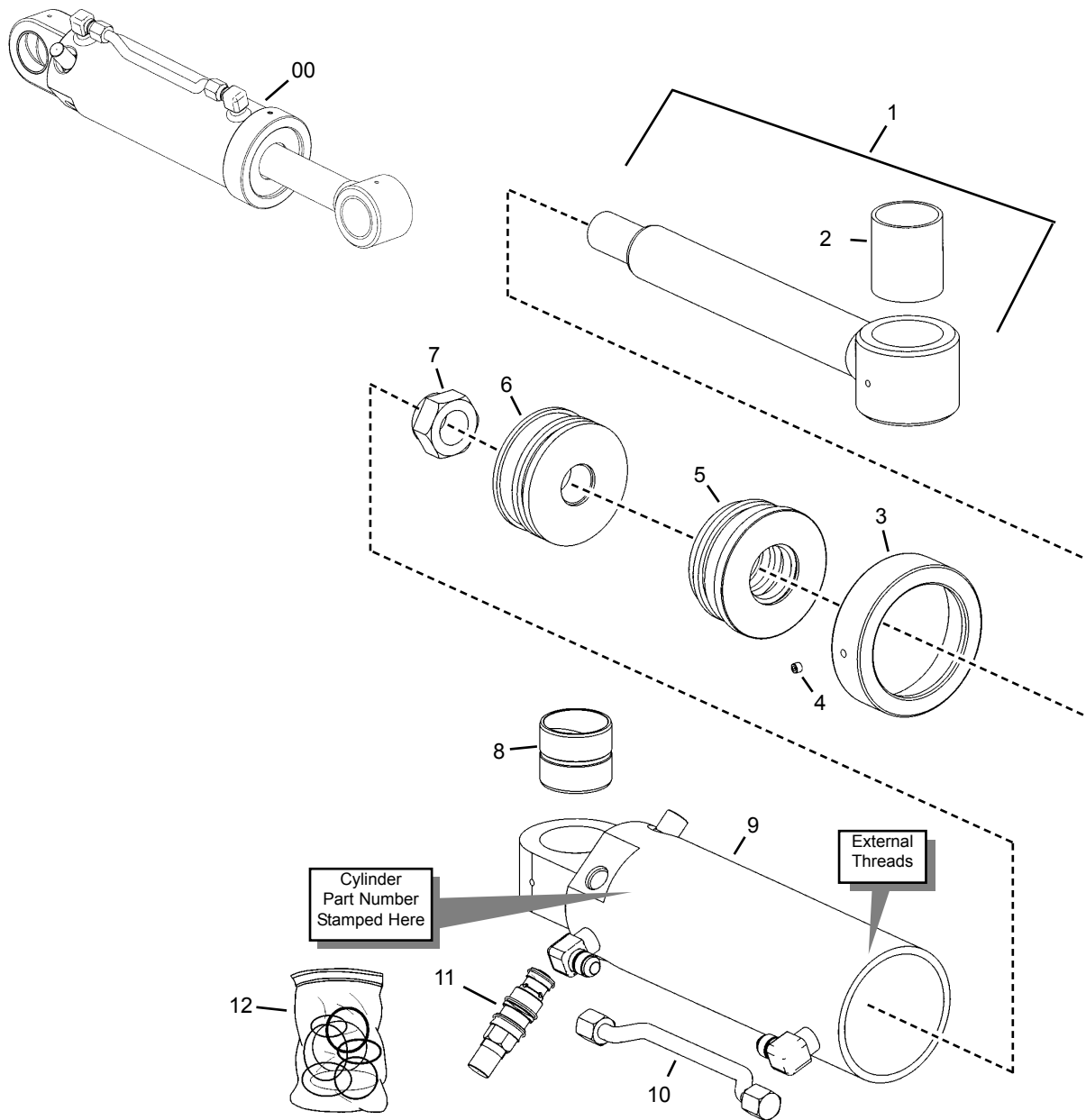
09	CONNECTS TO "P" HOSE	RADIO REMOTE MANIFOLD "JS" PORT
11	TEE ON PWP/WPS "T" PORT	RADIO REMOTE MANIFOLD "T" PORT
14	PWP/WPS VALVE "J1" PORT	RADIO REMOTE MANIFOLD "P" PORT
19	TEE ON FLOWDIVIDER "T" PORT	PILOT APPLY MANIFOLD "T" PORT
20	TEE ON PWP/WPS "J2" PORT	PILOT APPLY MANIFOLD "P" PORT

**NOTE:** Refer to the section Main Valve - Radio Remote Option for more information.

# Hydraulic Cylinders

## Frame Level

# RS Series

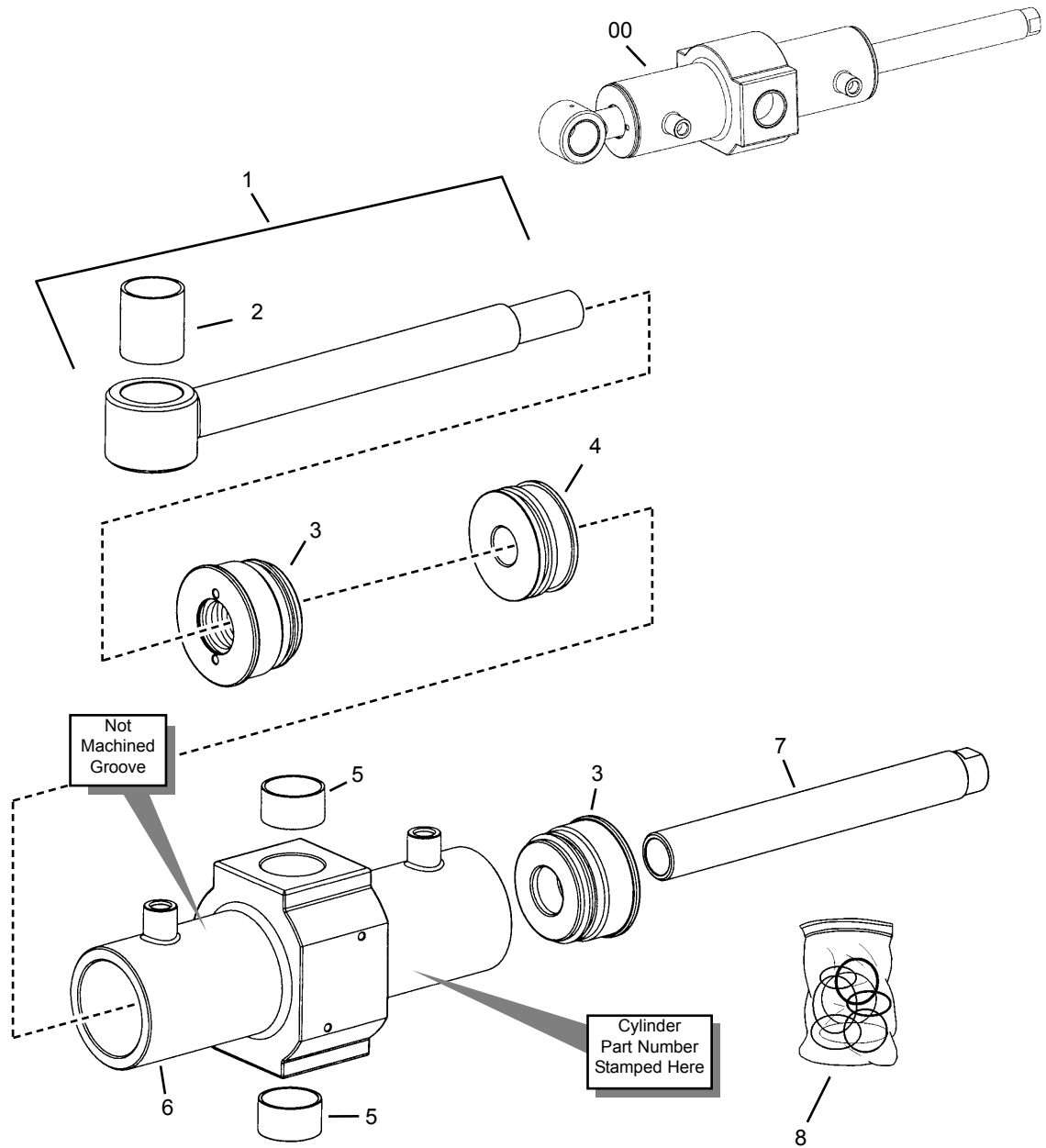


Ref. No.	Part No.	Description	Qty. Req.	Ref. No.	Part No.	Description	Qty. Req.
00	102876	FRAME LEVEL CYLINDER	1	09	NSS	TUBE WELDMENT	1
01	L98503	ROD (includes item #2)	1	10	L98509	OIL LINE TUBE ASSEMBLY	1
02	L63016	BUSHING	1	11	102878	COUNTER BALANCE VALVE	2
03	L98547	HEAD GLAND CAP	1		104820	SEAL KIT (CBV)	1
04	L99857	5/16"-18x1/4" SET SCREW	1	12 <sup>a</sup>	L98506	CYLINDER SEAL KIT	1
05	L98507	HEAD GLAND	1				
06	L98550	PISTON	1				
07	L99405	1-1/4"-12 UNF LOCKNUT	1				
08	L64367	BUSHING 2.0X2.25X2.0"	1				

<sup>a</sup> Items included with seal kit are not shown.

**IMPORTANT:** Before ordering any replacement parts, verify the part number stamped on the cylinder.



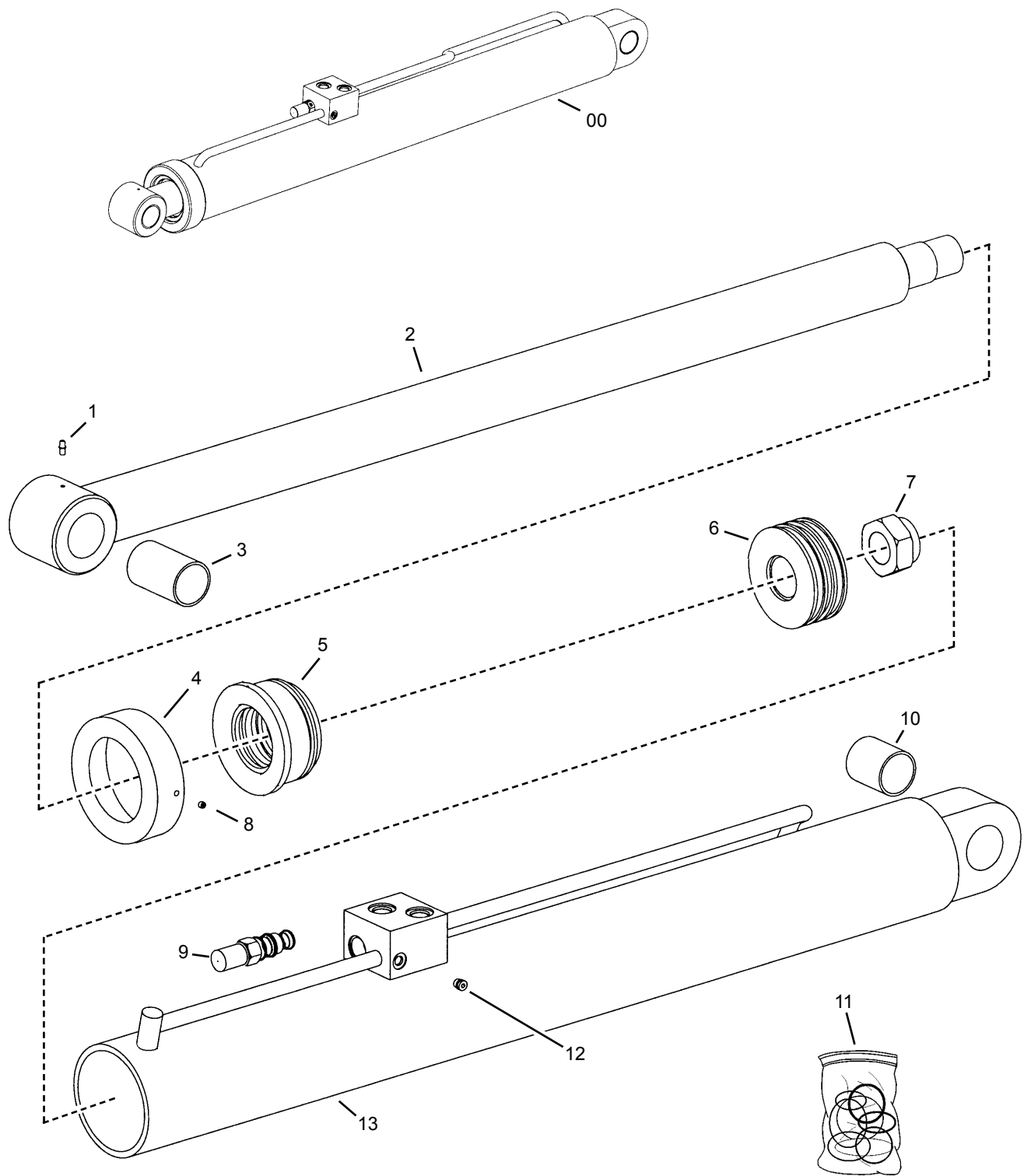


Ref. No.	Part No.	Description	Qty. Req.
00	102247	STABILIZING CYLINDER . . . . .	1
01	103011	ROD WELDMENT . . . . . (includes item #2)	1
02	L69138	BUSHING . . . . .	1
03	L99937	HEAD GLAND . . . . .	2
04	L99938	PISTON . . . . .	1
05	L69774	BUSHING . . . . .	2

Ref. No.	Part No.	Description	Qty. Req.
06	NSS	TUBE WELDMENT . . . . .	1
07	L99935	CYLINDER ROD . . . . .	1
08 <sup>a</sup>	L99942	SEAL KIT . . . . .	1

<sup>a</sup> Items included with seal kit are not shown.

**IMPORTANT:** Before ordering any replacement parts, verify the part number stamped on the cylinder.



# Telescopic Handler

# Hydraulic Cylinders Boom Lift

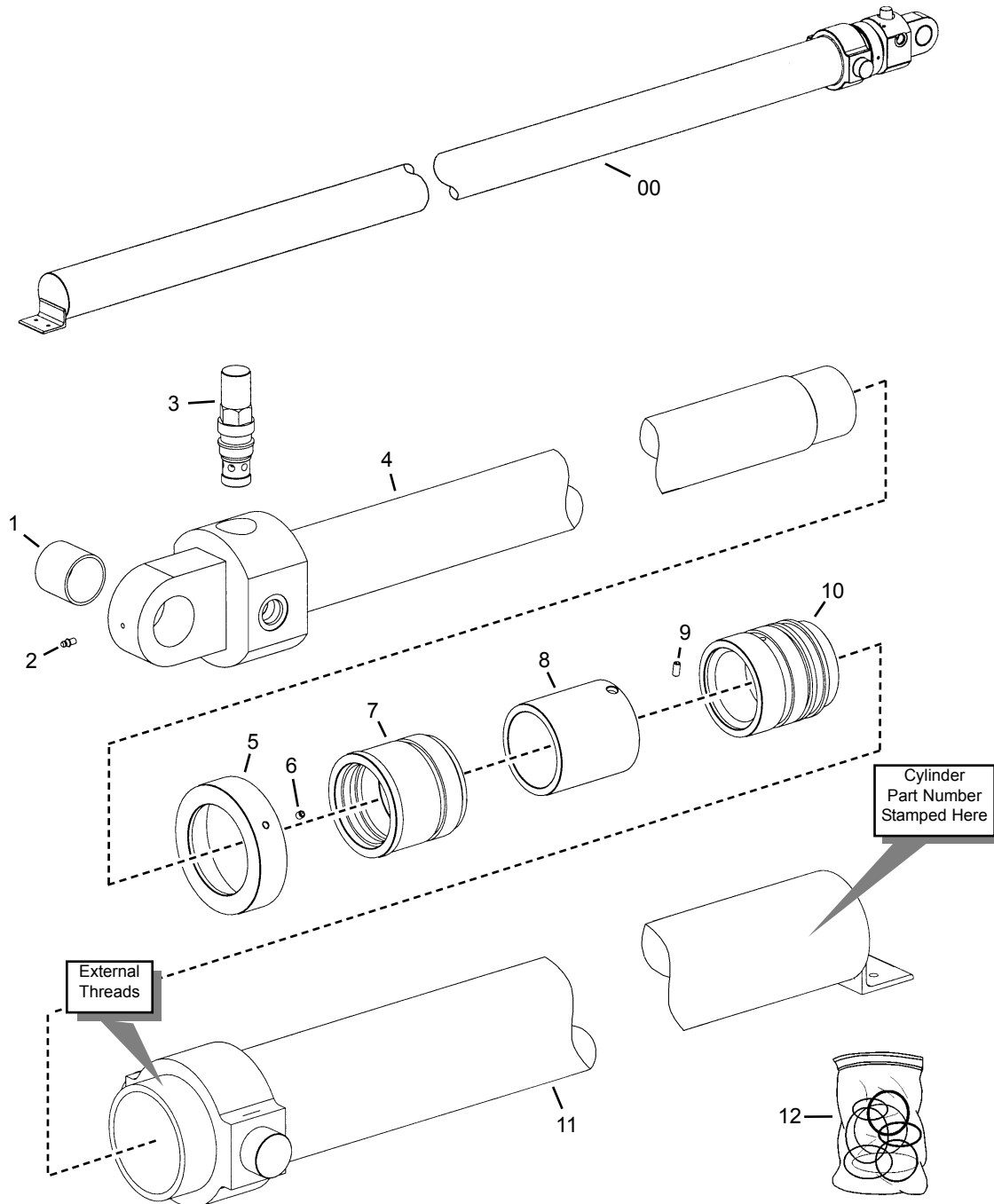
Ref. No.	Part No.	Description	Qty. Req.	Ref. No.	Part No.	Description	Qty. Req.
00	L69135	BOOM LIFT CYLINDER . . . . .	2	09	L70502	CBAL VALVE . . . . .	1
01	L10465	1/4"-28 GREASE ZERK. . . . .	1		L96838	CB VALVE SEAL KIT. . . . .	1
02	L99853	ROD WELDMENT ( <i>incls. item #3</i> )	1	10	L69138	BUSHING ( <i>base end</i> ) . . . . .	1
03	L69142	BUSHING ( <i>rod end</i> ). . . . .	1	11 <sup>a</sup>	L99849	CYLINDER SEAL KIT . . . . .	1
04	L99856	HEAD GLAND CAP. . . . .		12	L99917	PLUG -4 . . . . .	1
05	L99854	HEAD GLAND . . . . .	1	13	NSS	CYLINDER TUBE WELDMENT . . .	1
06	L99851	PISTON . . . . .	1				
07	L99122	1-3/4"-12 UNF LOCKNUT . . . . .	1				
08	L99857	5/16"-18X1/4" SET SCREW . . . . .	1				
				<i>a</i>		<i>Items included in the seal kit are not shown.</i>	

# Hydraulic Cylinders

## Boom Extend - 3-Section Boom

# RS Series

(Cylinder is stamped with P/N 102543 or 102544)




# Telescopic Handler

# Hydraulic Cylinders Boom Extend - 3-Section Boom

Ref. No.	Part No.	Description	Qty. Req.	Ref. No.	Part No.	Description	Qty. Req.
00		BOOM EXTEND CYLINDER . . . . .	1	08	102890	ROD SPACER . . . . .	1
	102543	42' 3-Section Boom		09	L99875	5/16"-18X5/8" SET SCREW . . . . .	1
	102544	44' 3-Section Boom		10	L99874	PISTON . . . . .	1
01	L64367	BUSHING (rod end) . . . . .	1	11	NSS	CYLINDER TUBE WELDMENT . . . . .	1
02	L10465	1/4"-28 GREASE ZERK . . . . .	1	12 <sup>a</sup>	L99873	CYLINDER SEAL KIT . . . . .	1
03	L70274	COUNTER BALANCE VALVE . . . . .	1				
	L99943	CBAL VALVE SEAL KIT . . . . .	1				
04		ROD WELDMENT . . . . .	1				
		(includes item #1)					
	L99881	42' 3-Section Boom					
	102889	44' 3-Section Boom					
05	L500582	HEAD GLAND CAP . . . . .	1				
06	137220	5/16"-18X5/16" SET SCREW . . . . .	1				
07	L99053	HEAD GLAND . . . . .	1				

a Items included in the seal kit are not shown.

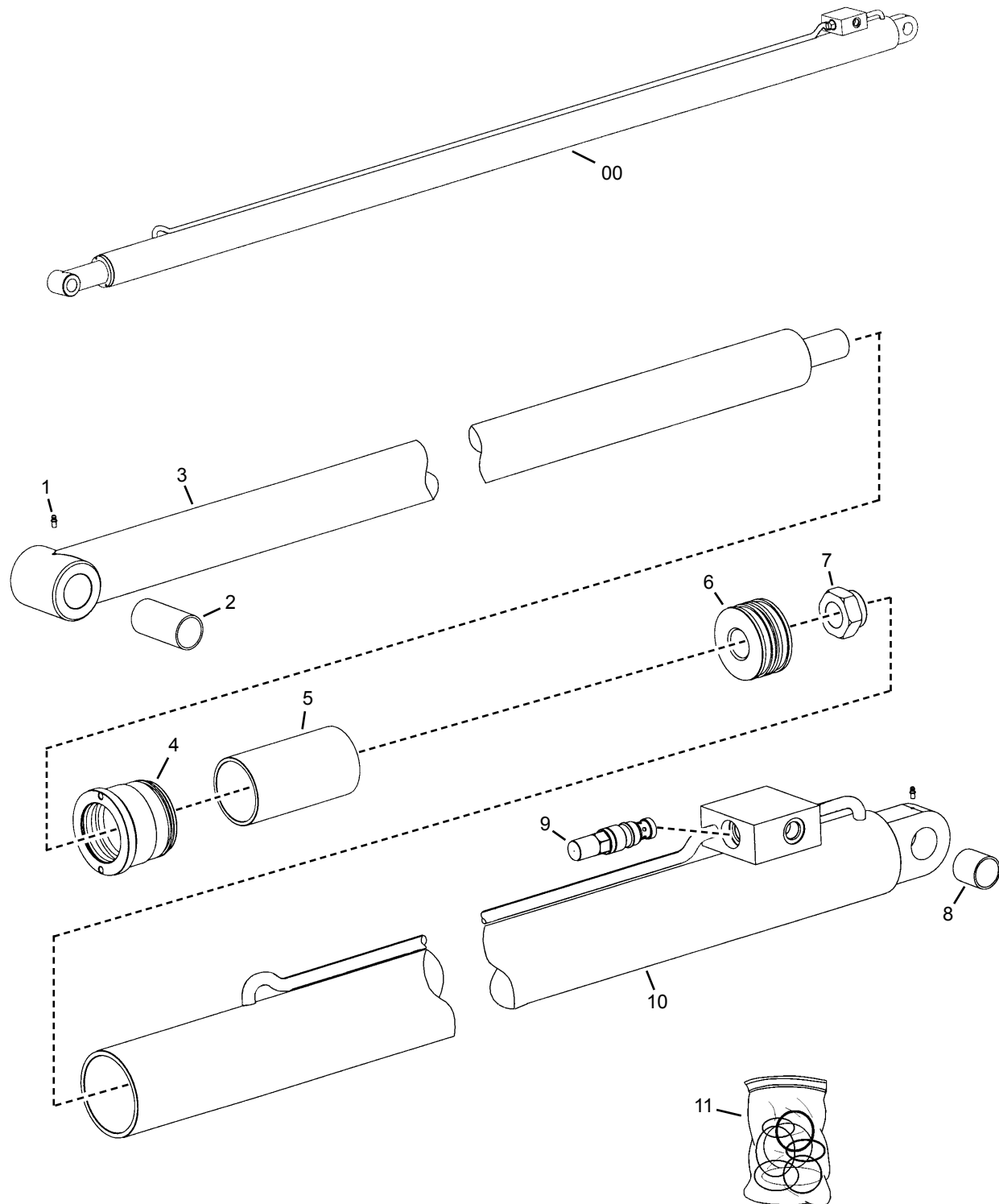
 **IMPORTANT:** Before ordering any replacement parts, verify the part number stamped on the cylinder.

# Hydraulic Cylinders

## Boom Extend - 4-Section Boom

# RS Series

(Cylinder is stamped with P/N L71024)



# Telescopic Handler

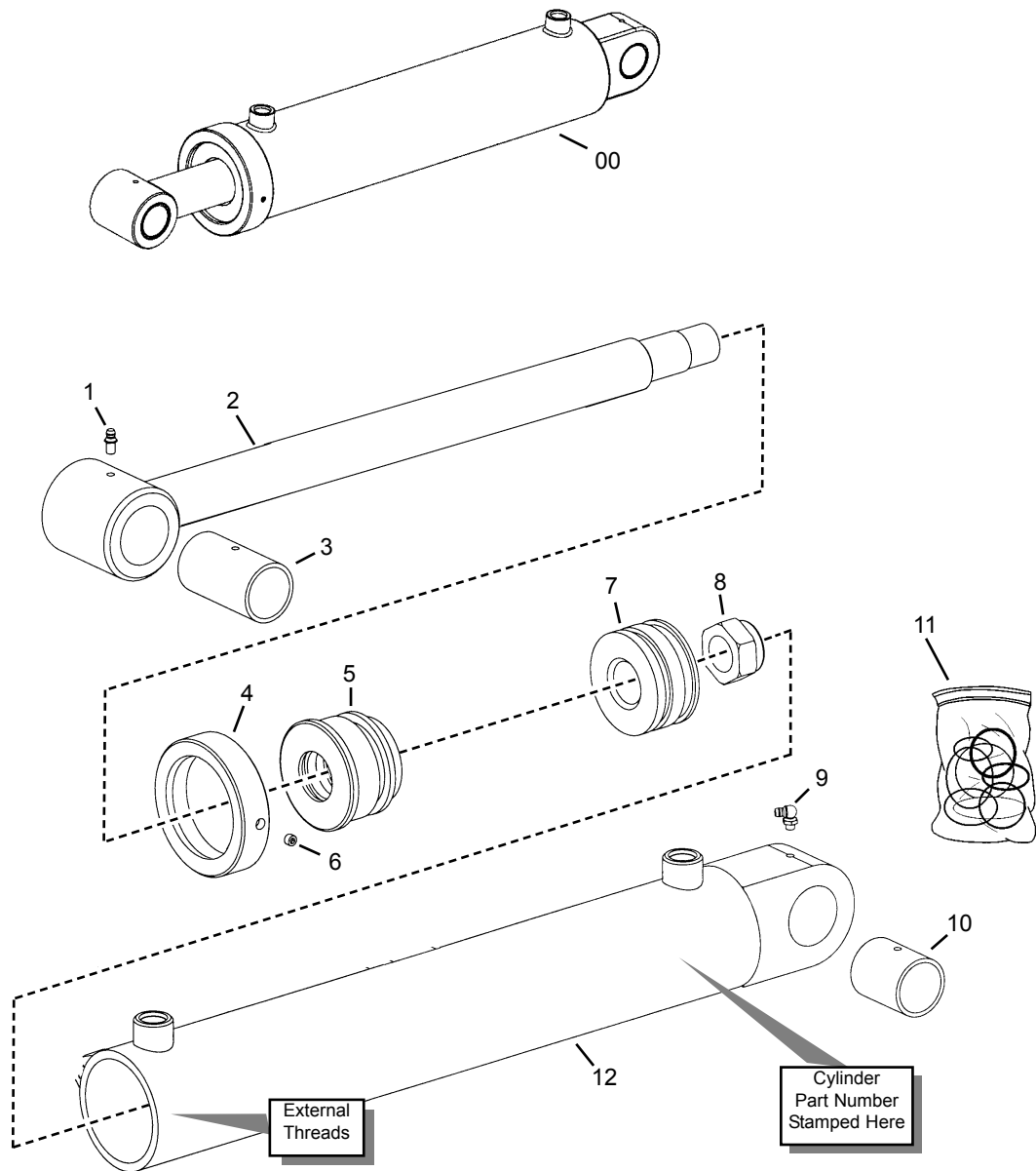
# Hydraulic Cylinders Boom Extend - 4-Section Boom

Ref. No.	Part No.	Description	Qty. Req.	Ref. No.	Part No.	Description	Qty. Req.
00	L71024	BOOM EXTEND CYLINDER.....	1	08	L67120	BUSHING ( <i>base end</i> ) .....	1
01	L10465	1/4"-28 GREASE ZERK.....	2	09	L70274	COUNTER BALANCE VALVE.....	1
02	L67119	BUSHING ( <i>rod end</i> ).....	1		L99943	CBAL VALVE SEAL KIT.....	1
03	L500753	ROD WELDMENT ( <i>incls. item 2</i> ) .	1	10	NSS	CYLINDER TUBE WELDMENT ...	1
04	L500758	HEAD GLAND .....	1	11 <sup>a</sup>	L500262	CYLINDER SEAL KIT .....	1
05	L500755	ROD SPACER.....	1				
06	L500757	PISTON.....	1				
07	L99122	1-3/4"-12 UNF LOCKNUT.....	1				
				<i>a</i>		<i>Items included in the seal kit are not shown.</i>	

# Hydraulic Cylinders

## Slave — (Compensation)

# RS Series

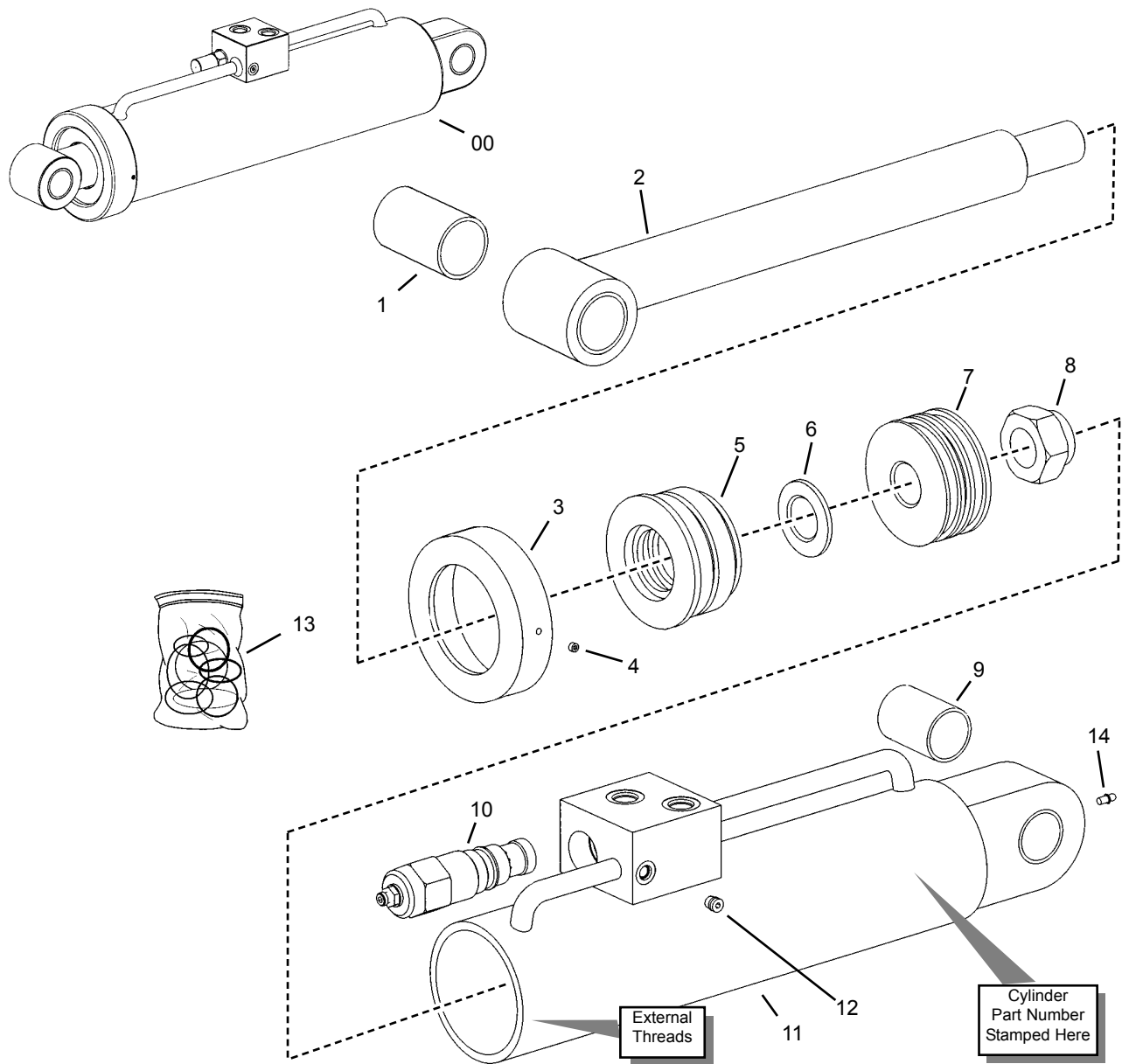


Ref. No.	Part No.	Description	Qty. Req.	Ref. No.	Part No.	Description	Qty. Req.
00	L69149	SLAVE CYLINDER .....	1	09	L10057	1/4"-28 GREASE ZERK 90° .....	1
01	L10465	1/4"-28 GREASE ZERK STR .....	1	10	L68003	BUSHING (BASE END) .....	1
02	L99865	ROD WELDMENT .....	1	11 <sup>a</sup>	L99868	CYLINDER SEAL KIT .....	1
		(includes item #2)		12	NSS	CYLINDER TUBE WELDMENT ...	1
03	L63018	BUSHING (ROD END) .....	1				
04	L98547	HEAD GLAND CAP .....	1				
05	L99866	HEAD GLAND .....	1				
06	L99857	5/16"-18X1/4" SET SCREW .....	1				
07	L99864	PISTON .....	1				
08	137221	1-3/8"-12 UNF LOCKNUT .....	1				

<sup>a</sup> Items included in the seal kit are not shown.

**⚠ IMPORTANT:** Before ordering any replacement parts, verify the part number stamped on the cylinder.

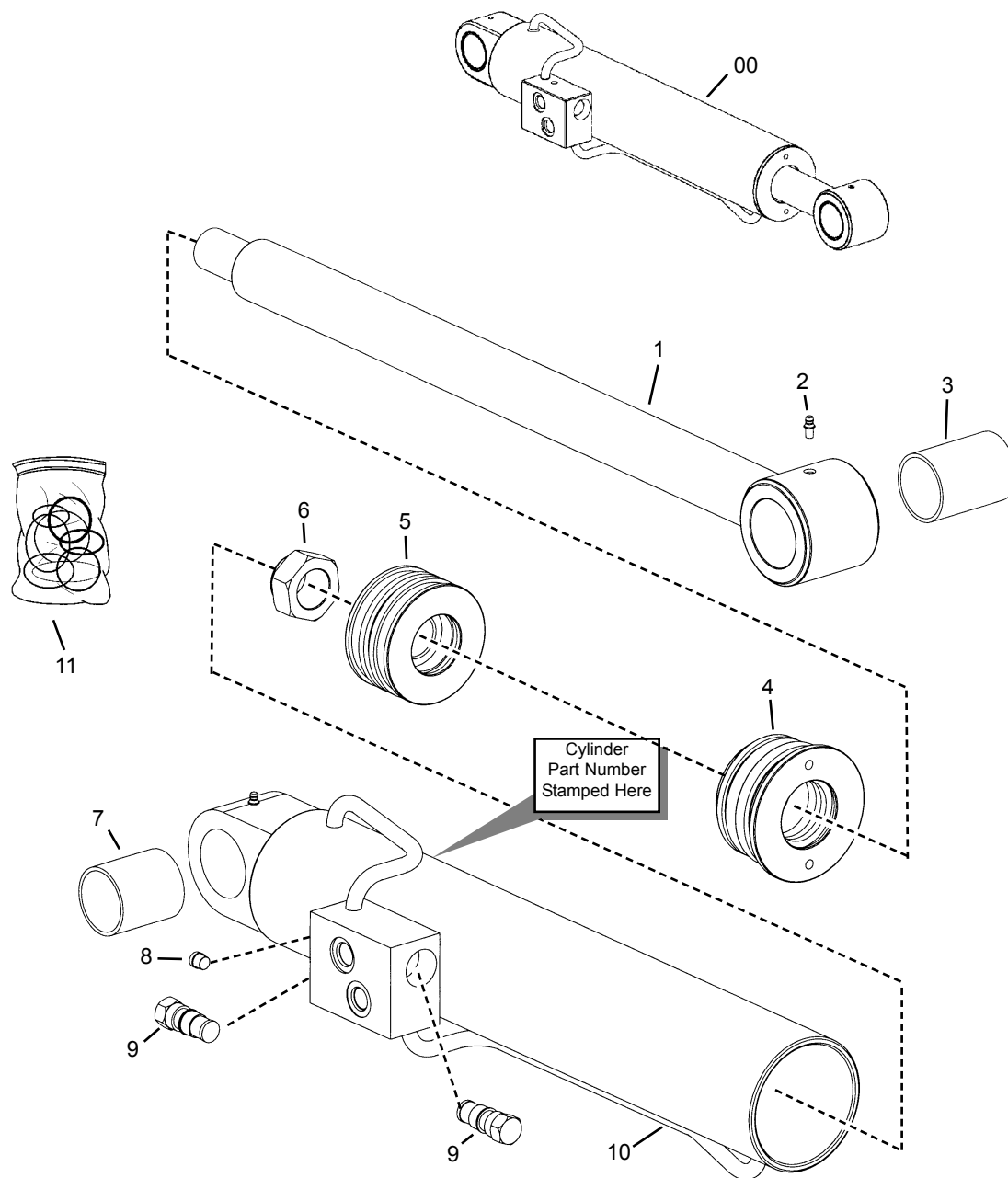




Ref. No.	Part No.	Description	Qty. Req.	Ref. No.	Part No.	Description	Qty. Req.
00	L69144	TILT CYLINDER .....	1	10	L70502	COUNTER BALANCE VALVE .....	1
01	L99889	BUSHING .....	1		L96838	CB VALVE SEAL KIT .....	1
02	L99886	ROD WELDMENT .....	1	11	NSS	CYLINDER TUBE WELDMENT ...	1
		<i>(includes item #1)</i>		12	L99917	PLUG -4. ....	1
03	L99856	HEAD GLAND CAP .....	1	13 <sup>a</sup>	L99883	CYLINDER SEAL KIT .....	1
04	137220	5/16"-18X5/16" SET SCREW .....	1	14	L10465	1/4"-28 GREASE ZERK STR .....	1
05	L99888	HEAD GLAND .....	1				
06	L99852	THRUST WASHER .....	1				
07	L99885	PISTON .....	1				
08	L99122	1-3/4" UNF LOCKNUT. ....	1				
09	L69127	BUSHING (BASE END) .....	1				

*a* Items included in the seal kit are not shown.

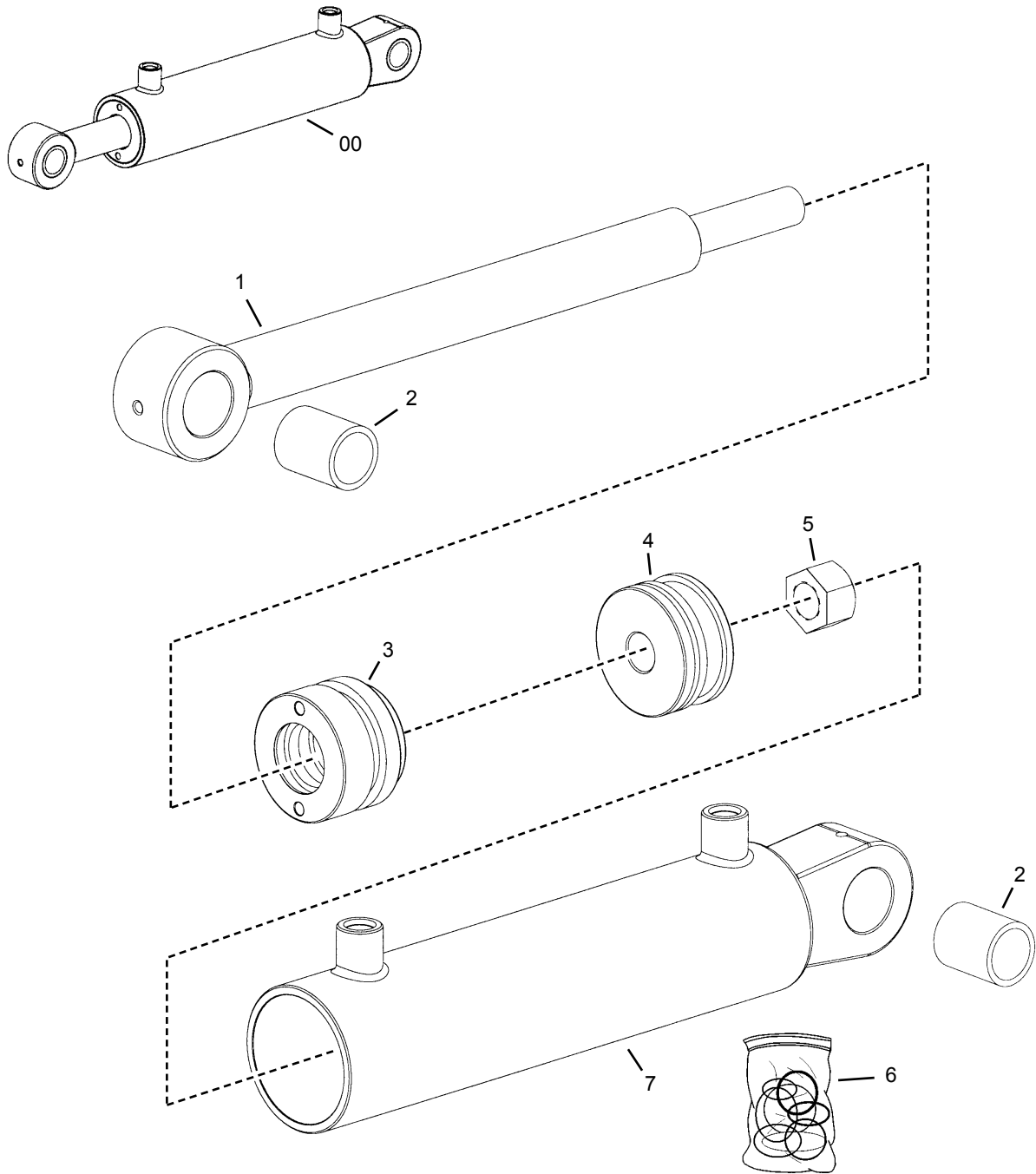
**⚠ IMPORTANT:** Before ordering any replacement parts, verify the part number stamped on the cylinder.



Ref. No.	Part No.	Description	Qty. Req.	Ref. No.	Part No.	Description	Qty. Req.
00	L70616	OUTRIGGER CYLINDER	1	08	L99917	PLUG, -40RM	1
01	L99989	ROD WELDMENT (includes item 3)	1	09	L99987	PO CHECK VALVE	2
02	L10465	1/4"-28 GREASE ZERK	2	10	NSS	CYLINDER TUBE WELDMENT	1
03	L70618	BUSHING (ROD END)	1	11 <sup>a</sup>	L99988	CYLINDER SEAL KIT	1
04	L99991	HEAD GLAND	1				
05	L99864	PISTON	1				
06	137221	1-3/8"-12 UNF LOCKNUT	1				
07	L69138	BUSHING (BASE END)	1				

<sup>a</sup> Items included in the seal kit are not shown.

**⚠ IMPORTANT:** Before ordering any replacement parts, verify the part number stamped on the cylinder.



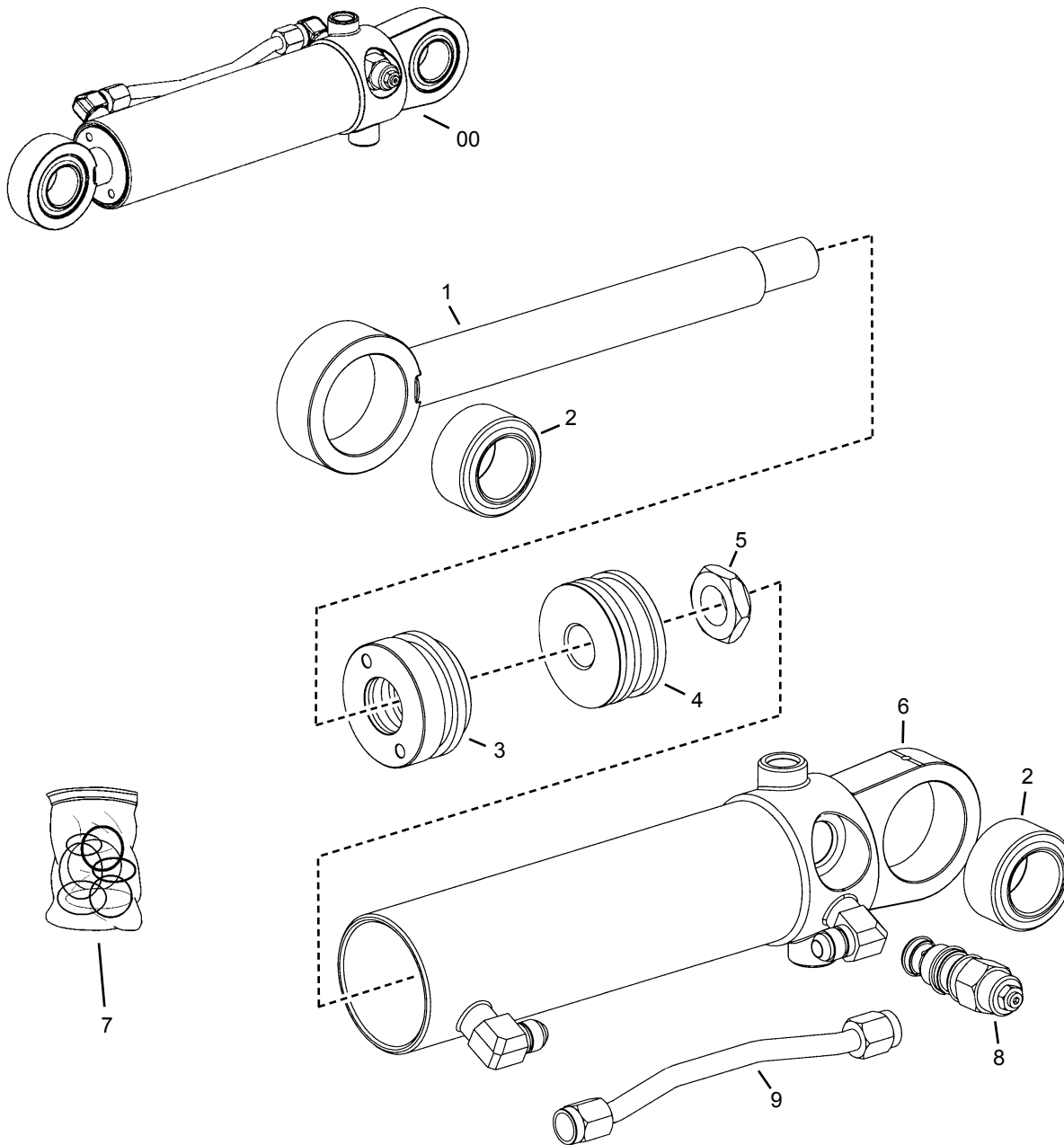
Ref. No.	Part No.	Description	Qty. Req.	Ref. No.	Part No.	Description	Qty. Req.
00	L67248	GRAPPLE CYL. (complete).....	1	04	121552	PISTON .....	1
01	L98923	ROD WELDMENT .....	1	05	080319	3/4"-16 UNF LOCKNUT .....	1
02	L63593	BUSHING 1" x 1.25" x 1.5" .....	2	06	L98922	SEAL KIT (not all items shown)....	1
03	L98919	HEAD GLAND .....	1	07	NSS	CYLINDER TUBE WELDMENT ...	1

**⚠ IMPORTANT:** Before ordering any replacement parts, verify the part number stamped on the cylinder.

# Hydraulic Cylinders

## Rotating-Carriage

# RS Series

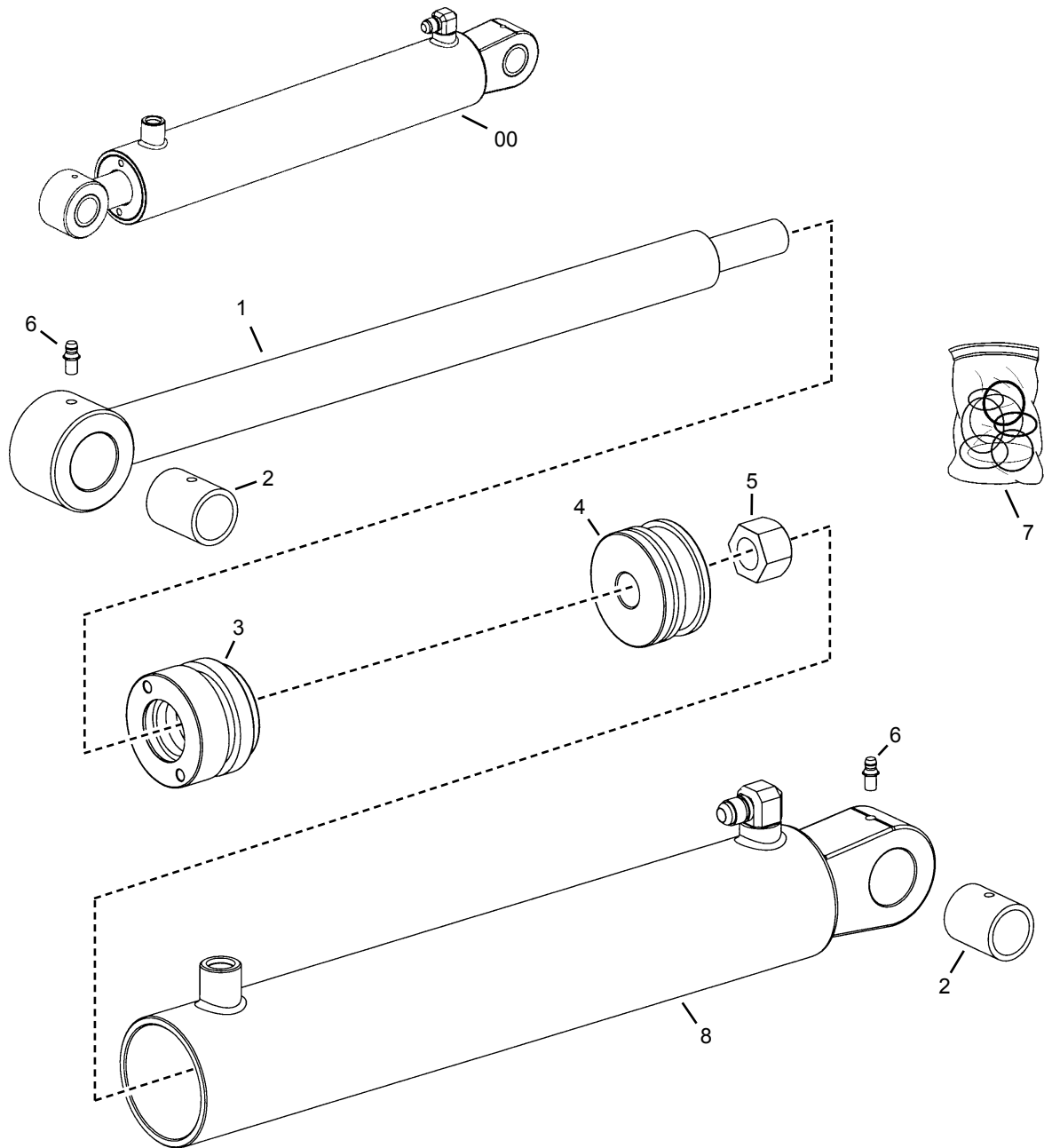


Ref. No.	Part No.	Description	Qty. Req.	Ref. No.	Part No.	Description	Qty. Req.
00	L70655	ROTATING-CARRIAGE CYL. ....	1	08	L48868A	CB VALVE (3000 psi) .....	2
01	L500242	ROD WELDMENT .....	1		L96838	CB VALVE SEAL KIT .....	1
02	L64122	SPHERICAL BEARING .....	2	09	L500241	HYDRAULIC LINE ASSEMBLY ....	1
03	L99074	HEAD GLAND .....	1				
04	L97839	PISTON .....	1				
05	080313	1"-14 UNS THIN COL. LOCKNUT .	1				
06	NSS	TUBE WELDMENT .....	1				
07 <sup>a</sup>	L97769	SEAL KIT .....	1				

*a* Items included in the seal kit are not shown.



**IMPORTANT:** Before ordering any replacement parts, verify the part number stamped on the cylinder.



Ref. No.	Part No.	Description	Qty. Req.
00	L63970	SWING-CARRIAGE CYLINDER...	1
01	L500364	ROD WELDMENT.....	1
02	L63593	BUSHING.....	2
03	L500365	HEAD GLAND.....	1
04	L98662	PISTON.....	1
05	080319	3/4"-16 LOCKNUT.....	1
06	L10465	1/4"-28 GREASE ZERK.....	2

Ref. No.	Part No.	Description	Qty. Req.
07 <sup>a</sup>	L99944	SEAL KIT.....	1
08	NSS	TUBE WELDMENT.....	1

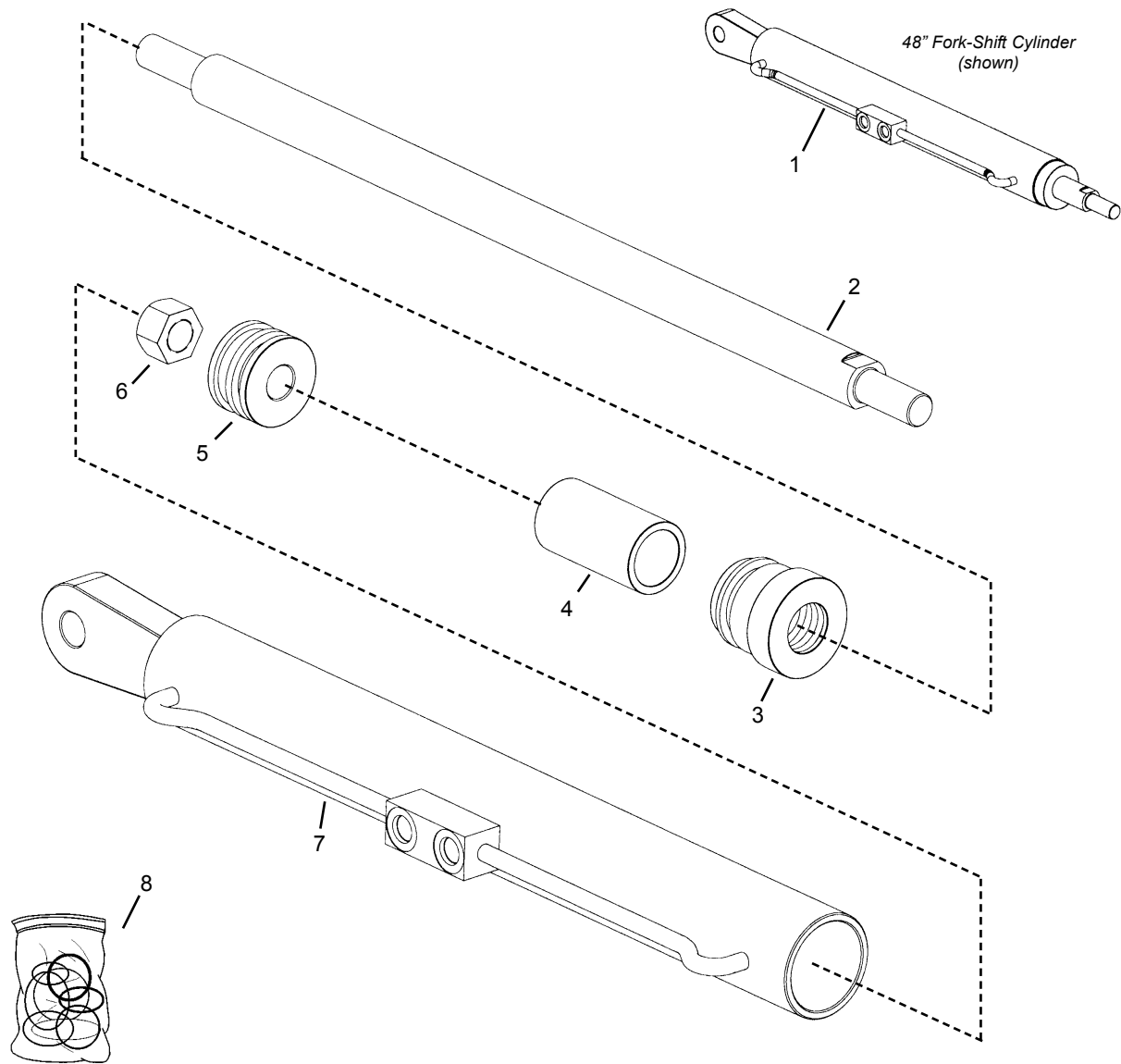
<sup>a</sup> Items included in the seal kit are not shown.

**IMPORTANT:** Before ordering any replacement parts, verify the part number stamped on the cylinder.

# Hydraulic Cylinders

## 48" and 72" Fork-Shift

# RS Series



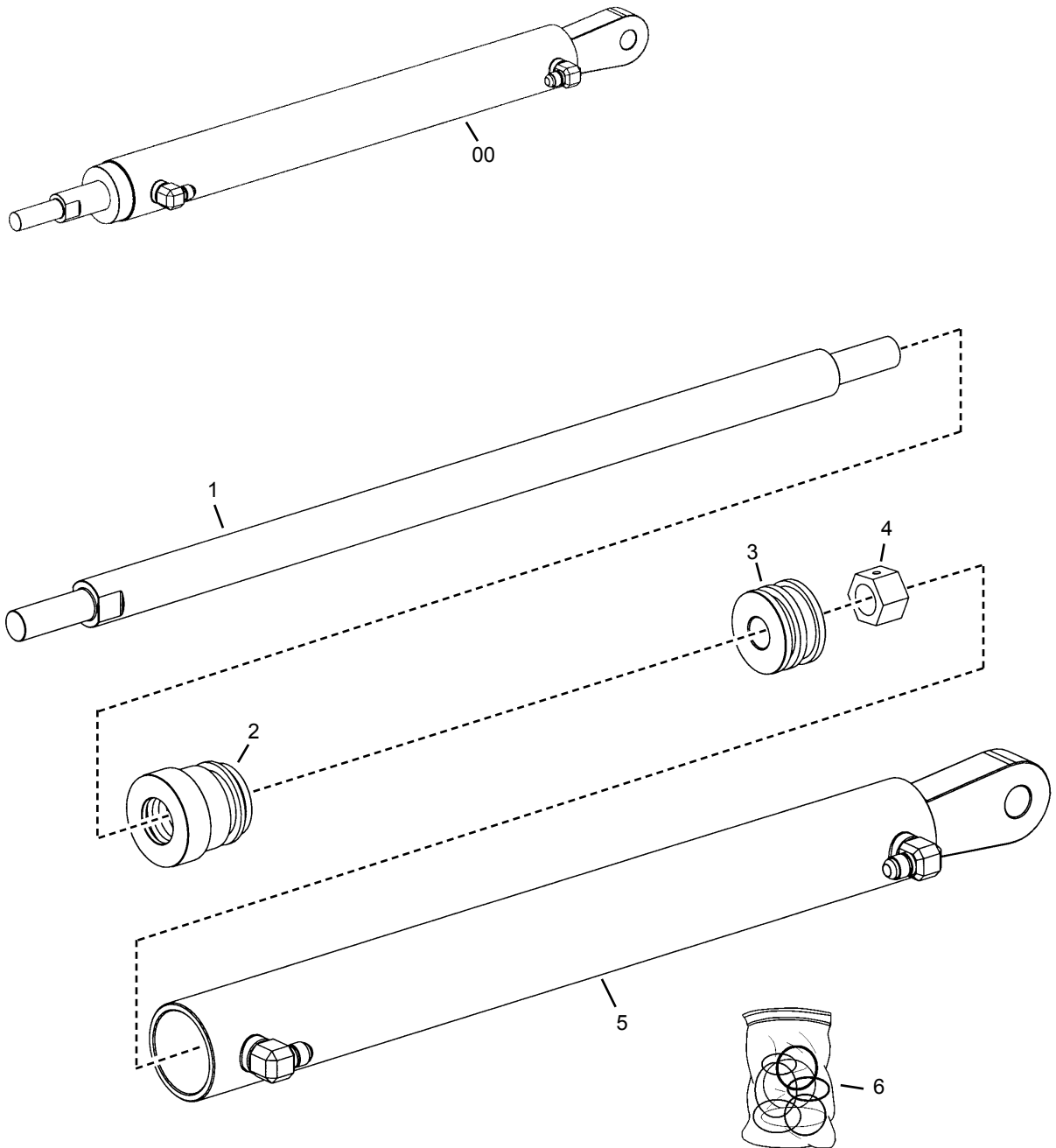
Ref. No.	Part No.	Description	Qty. Req.	Ref. No.	Part No.	Description	Qty. Req.
01	210932	FORK-SHIFT CYLINDER . . . . . 1		07	NSS	TUBE WELDMENT . . . . . 1	
	210901	48" Fork-Shift Carriage		08		SEAL KIT . . . . . 1	
02		72" Fork-Shift Carriage			L500370	Note a	
	106959	CYLINDER ROD . . . . . 1			106962	Note b	
	106961	Note a					
03		Note b		a		Used with 48" fork-shift carriage cylinder (210932)	
	L500762	HEAD GLAND . . . . . 1		b		Used with 72" fork-shift carriage cylinder (210901)	
	121565	Note a		c		Rod spacer is only used with the 72" fork-shift cylinder (210901).	
		Note b					
04 <sup>c</sup>	106960	ROD SPACER (72" cylinder only) . . 1					
05	L500761	PISTON . . . . . 1					
06	080319	LN 0.75"-16 UNF . . . . . 1					



**NOTE:** Items in seal kits are not shown.



**IMPORTANT:** Before ordering any replacement parts, verify the part number stamped on the cylinder.

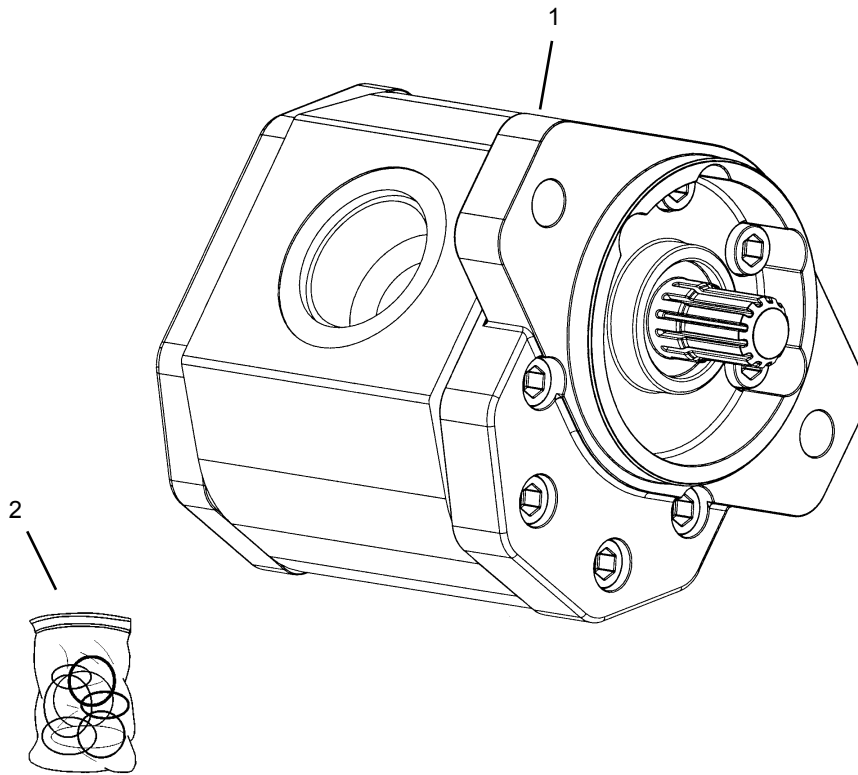


Ref. No.	Part No.	Description	Qty. Req.
00	L68337	FORK-SHIFT CYLINDER .....	1
01	L500763	ROD WELDMENT .....	1
02	L500762	HEAD GLAND .....	1
03	L500761	PISTON .....	1
04	080319	3/4"-16 UNF LOCKNUT .....	1

Ref. No.	Part No.	Description	Qty. Req.
05	NSS	TUBE WELDMENT .....	1
06 <sup>a</sup>	L500370	SEAL KIT .....	1

<sup>a</sup> Items included in the seal kit are not shown.

**⚠ IMPORTANT:** Before ordering any replacement parts, verify the part number stamped on the cylinder.

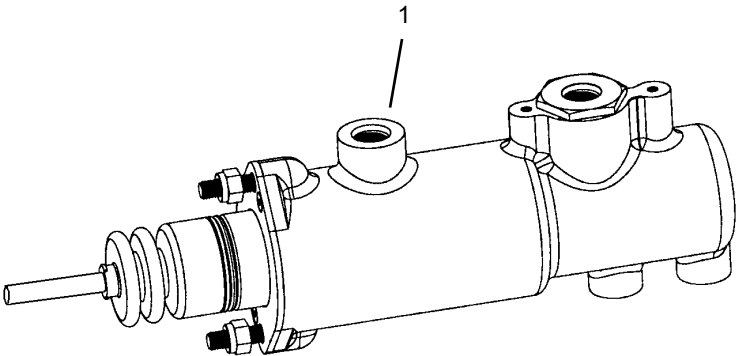


Ref. No.	Part No.	Description	Qty. Req.	Ref. No.	Part No.	Description	Qty. Req.
01	102498	HYDRAULIC PUMP .....	1	02 <sup>a</sup>	103018	SEAL KIT .....	1
	L46865	GASKET, PUMP .....	1				
		(between pump and transmission)					

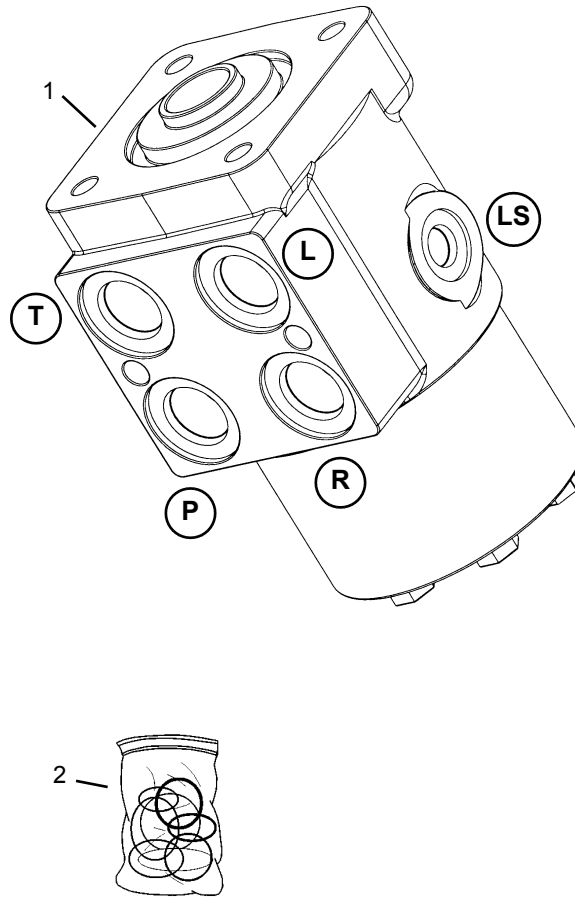


**NOTE:** Field service is limited to the replacement of seals only.





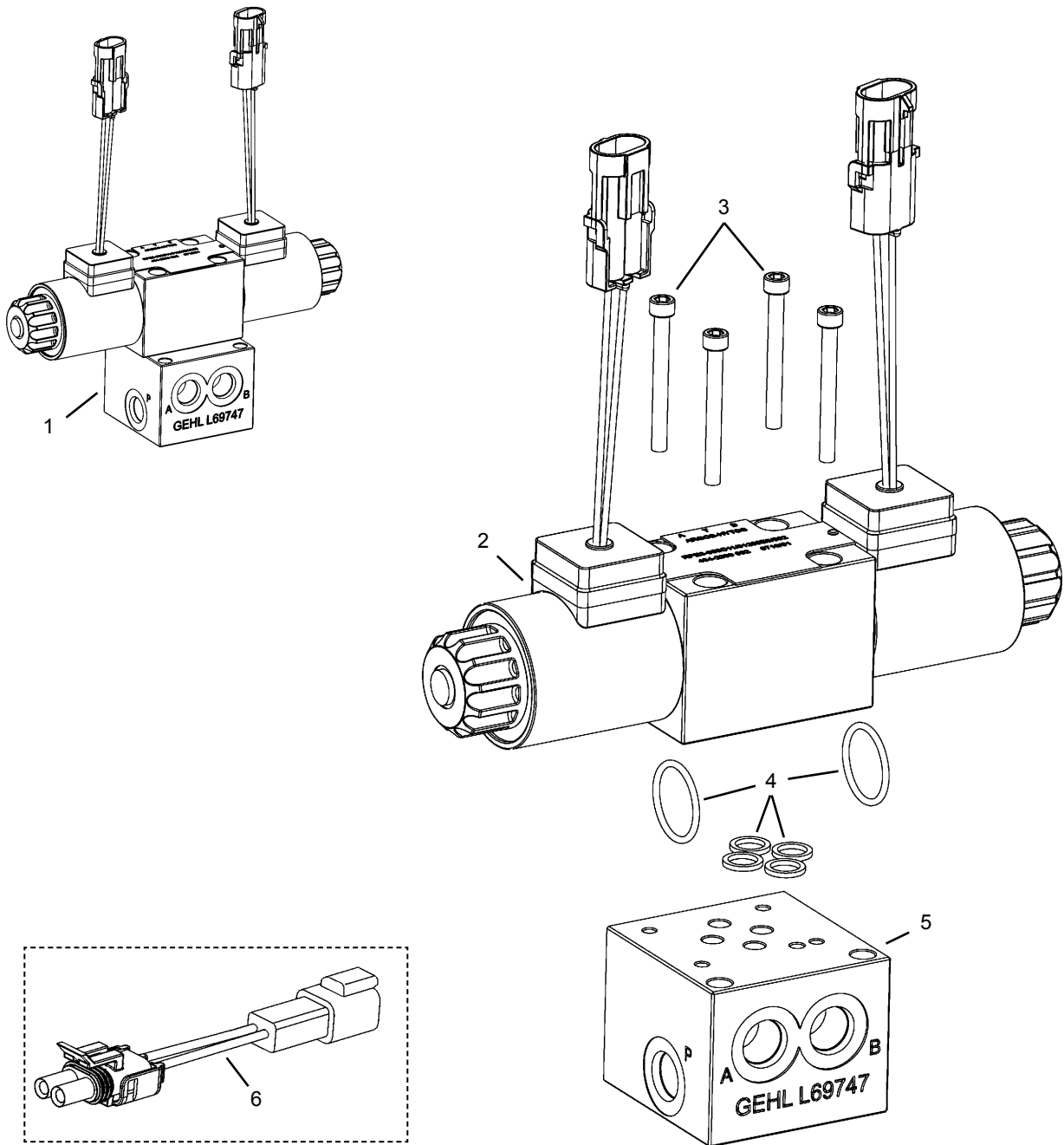
Ref. No.	Part No.	Description	Qty. Req.
01	210253	BRAKE CYLINDER, BOOSTER . . .	1



Ref. No.	Part No.	Description	Qty. Req.	Ref. No.	Part No.	Description	Qty. Req.
01	101880	STEERING CONTROL UNIT	1	02	L500968	SEAL KIT <i>(Items included are not shown.)</i>	1



**NOTE:** Field service is limited to the replacement of seals only.

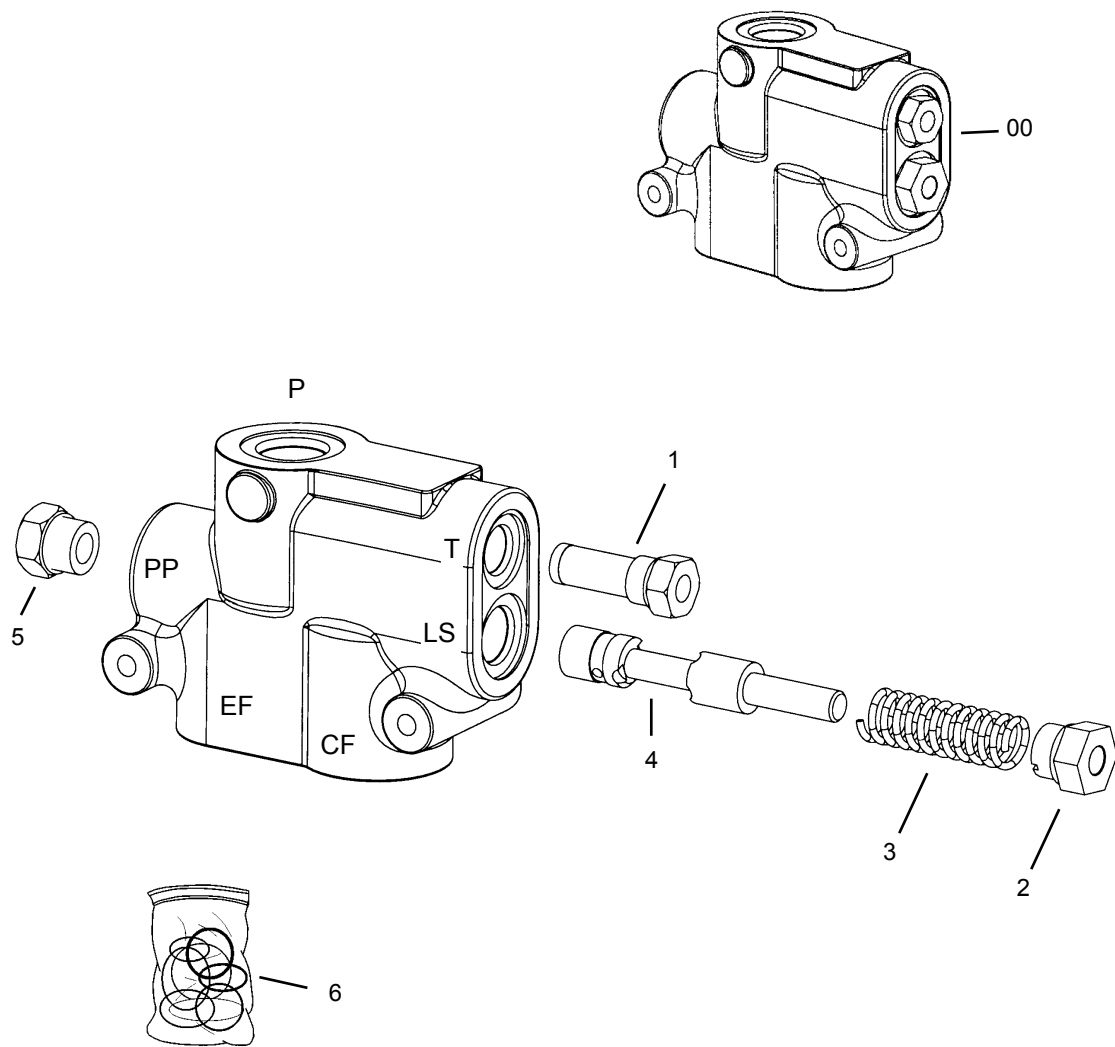


Item No.	Part No.	Description	Qty. Req.
01	L69747	STEER SELECT VALVE..... 1 <i>(Includes items 1-5)</i>	
02	210018	WEATHER PAK VALVE..... 1	
03	NSS	SHCS #10-24 x 1-3/4"..... 4 <i>(included with item #1)</i>	
04	107000	SEAL KIT ..... 1 <i>(consists of the o-rings shown)</i>	

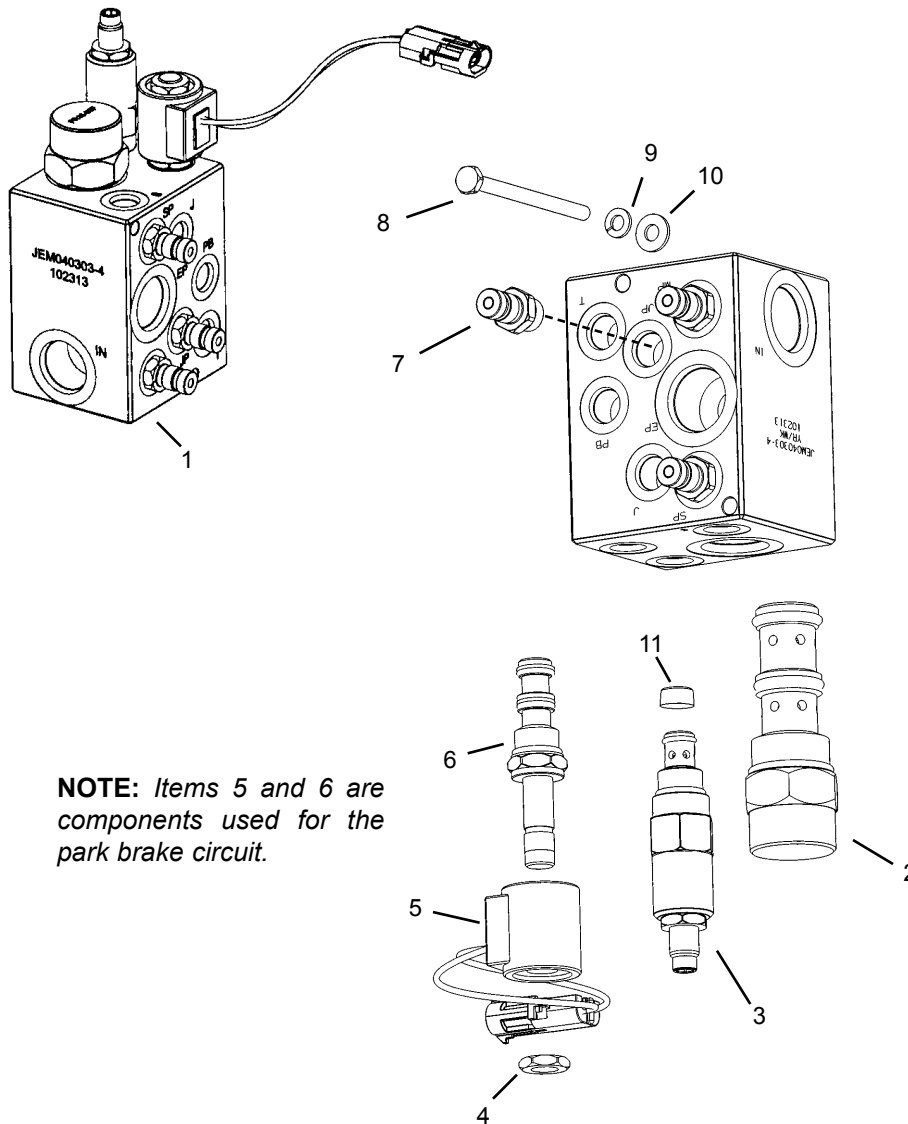
Item No.	Part No.	Description	Qty. Req.
05	NSS	MANIFOLD ..... 1	
06	50380338	WIRE HARNESS, JUMPER ..... 2	

-- ITEMS NOT SHOWN --

00	L68711	WIRE HARNESS ..... 2 <i>(Connects wire leads to frame wiring.)</i>	
----	--------	---	--



Ref. No.	Part No.	Description	Qty. Req.	Ref. No.	Part No.	Description	Qty. Req.
00	104132	PRIORITY VALVE .....1 <i>(includes all items shown)</i>		04	NSS	SPOOL .....1	
01	104133	RELIEF CARTRIDGE ASY. ....1		05	NSS	PLUG .....1	
02	NSS	PLUG ASY .....1		06 <sup>a</sup>	L97655	SEAL KIT .....1	
03	NSS	SPRING .....1		<i>a Items in seal kit are not shown.</i>			



**NOTE:** Items 5 and 6 are components used for the park brake circuit.

Ref. No.	Part No.	Description	Qty. Req.	Ref. No.	Part No.	Description	Qty. Req.
01	102313	FLOW DIVIDER VALVE . . . . .	1	07	P471997	TEST PORT . . . . .	3
		<i>(includes items 1-7)</i>			L62840	CAP, DUST COVER <i>(not shown)</i> . . .	3
02	103017	PILOTED SPOOL LOGIC ELEM. . . . .	1		L62933	FEMALE COUPLER <i>(optional)</i>	
03	L99927	RELIEF VALVE . . . . .	1	08	L50217	1/4"-20X3-1/2" BOLT . . . . .	2
	L99925	SEAL KIT . . . . .	1	09	L50139	1/4" LOCK WASHER . . . . .	2
04	NSS	NUT, SOLENOID VALVE . . . . .	1	10	L50137	1/4" FLAT WASHER . . . . .	2
		<i>(included with item 5)</i>		11	105087	SCREEN . . . . .	1
05	L99908	12 VDC WEATHER PACK COIL . . . . .	1				
		<i>(includes item 4)</i>					
06	L99910	SOLENOID VALVE . . . . .	1				
	L99911	SEAL KIT . . . . .	1				

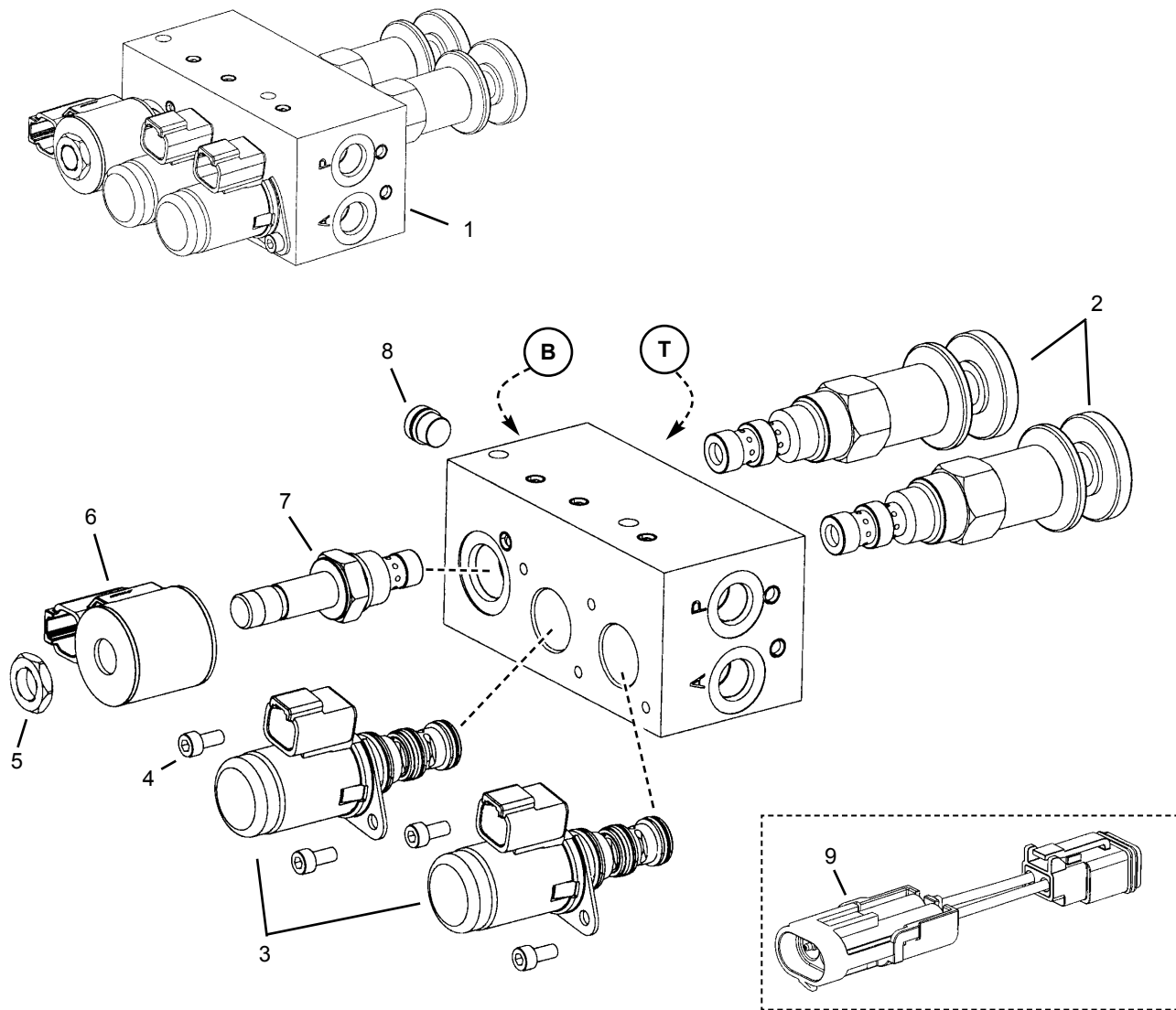


**NOTE:** Individual items included in the seal kits are not shown.

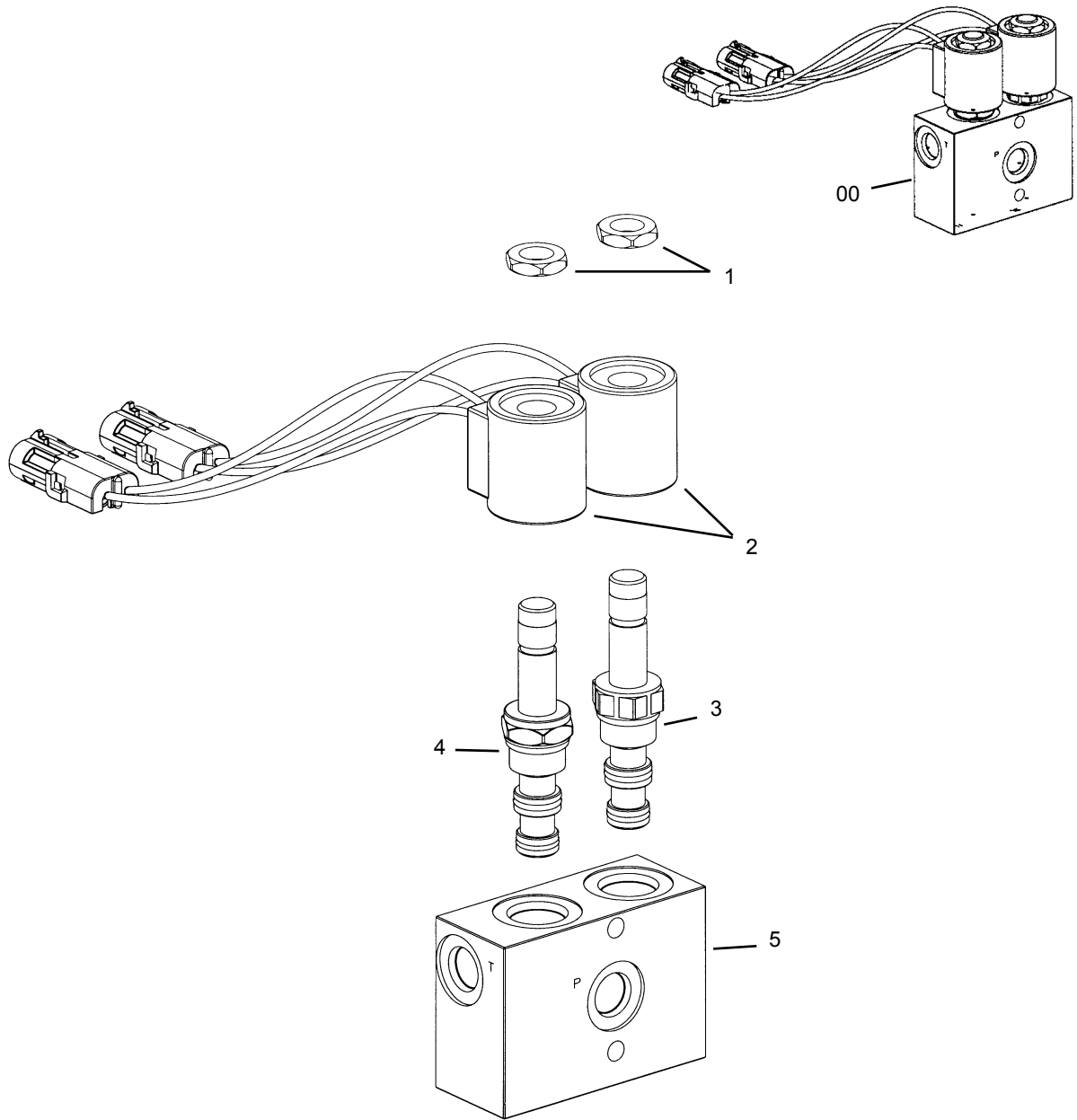
# Hydraulic Components

## Pilot Apply Valve - Tri-Function Controller

# RS Series



Ref. No.	Part No.	Description	Qty. Req.	Ref. No.	Part No.	Description	Qty. Req.
01 <sup>a</sup>	106898	PILOT APPLY MANIFOLD..... <sup>a</sup> (includes all items except item 9)		07	L500746	VALVE, 2-WAY ..... 1 (includes item 5)	
02	L500745	PRESSURE CONTROL ..... 2			L99924	SEAL KIT, 2-WAY VALVE ..... 1	
	L99911	SEAL KIT ..... 2		08	L99917	PLUG -4 NWD STYLE ..... 1	
03	244655	CARTRIDGE, 3-WAY/2-POSITION . 2		09	211161	WIRE HARNESS, TILT CONTROL. 1	
	240202	SEAL KIT (for one cartridge) . . . . AR					
04	240197	SCHS M5-0.08X10MM ..... 4					
05	NSS	COIL NUT (included with item 7)... 1					
06	104736	COIL, 12VDC..... 1					
				<sup>a</sup>		Units equipped with Auxiliary Hydraulics use (2) 106898 Pilot Apply Manifolds.	

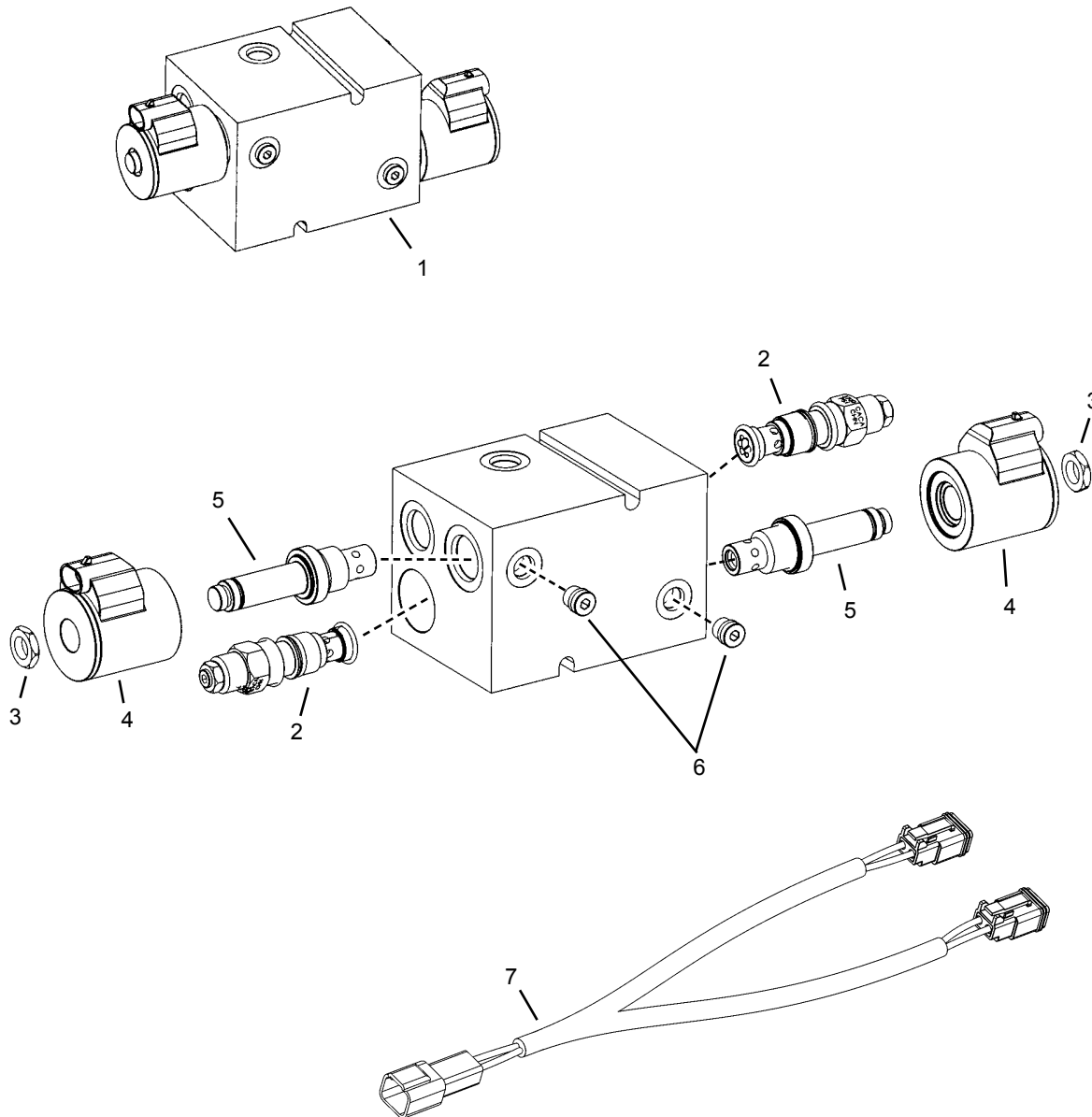


Ref. No.	Part No.	Description	Qty. Req.	Ref. No.	Part No.	Description	Qty. Req.
00	102321	PWP/WPS VALVE .....	1	04	L99910	SOLENOID VALVE .....	1
01	NSS	NUT, SOLENOID VALVE .....	2		L99911	SEAL KIT .....	1
		<i>(included with item 3 and 4)</i>				<i>(Items included are not shown.)</i>	
02	L99908	12 VDC WEATHER PACK COIL ...	2	05	NSS	MANIFOLD .....	1
03	L99909	SOLENOID VALVE .....	1				
	L99911	SEAL KIT .....	1				
		<i>(Items included are not shown.)</i>					

# Hydraulic Components

## Frame Stabilizing Valve

# RS Series



Ref. No.	Part No.	Description	Qty. Req.	Ref. No.	Part No.	Description	Qty. Req.
01	102877	FRAME STABILIZING VALVE . . . . .	1	05	103152	CARTRIDGE (only) . . . . .	2
		<i>(includes all items shown)</i>			L99916	SEAL KIT <i>(included with cartridge)</i>	2
02	102878	COUNTER BAL. VALVE 3700PSI . . . . .	2	06	L99917	PLUG -4ORM . . . . .	2
	104820	CBV SEAL KIT . . . . .	2	07	50380318	WIRE HARNESS, STABILIZER . . . . .	1
03	NSS	NUT <i>(included with item 5)</i> . . . . .	2				
04	103151	E-COIL 12VDC . . . . .	2				

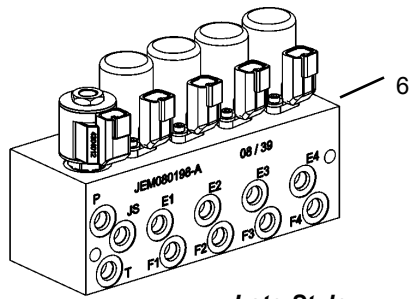


**NOTE:** Individual items included in the seal kits are not shown.



# Telescopic Handler

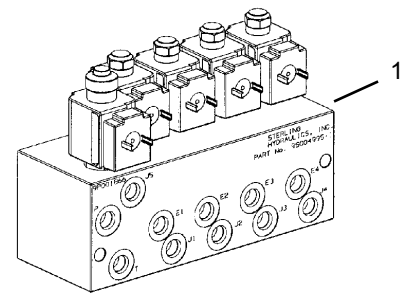
# Hydraulic Components Radio Remote Valve



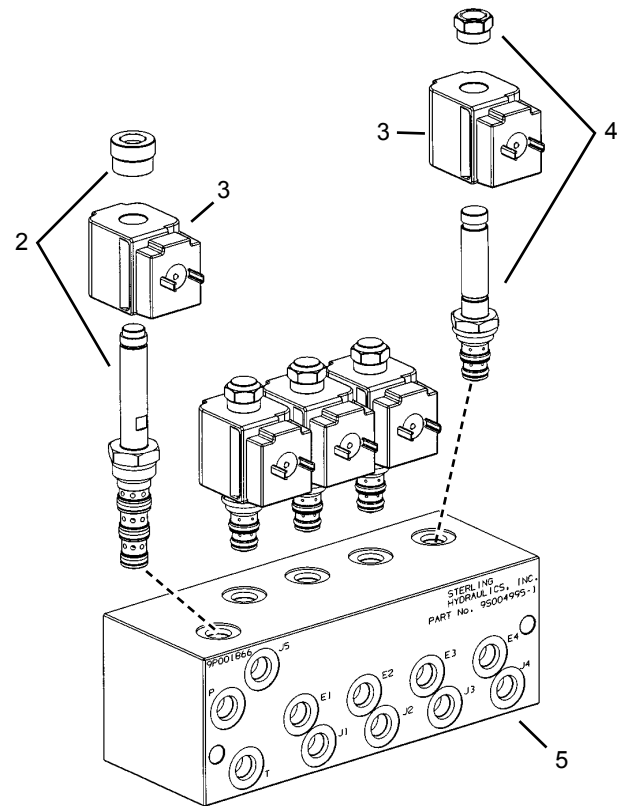
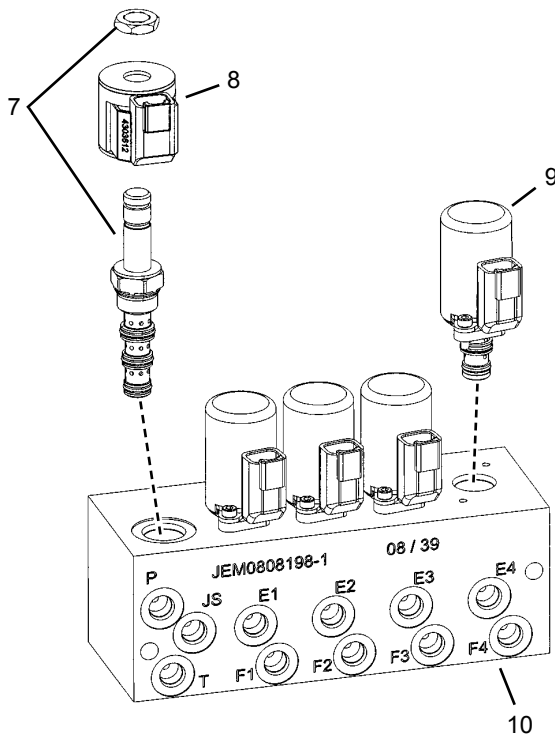
Late-Style



**NOTE:** Before ordering, verify the manifold on the machine matches with the one in the illustration.



Early-Style

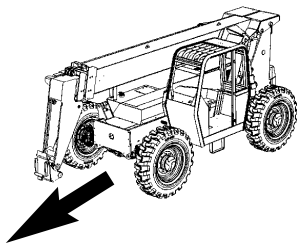
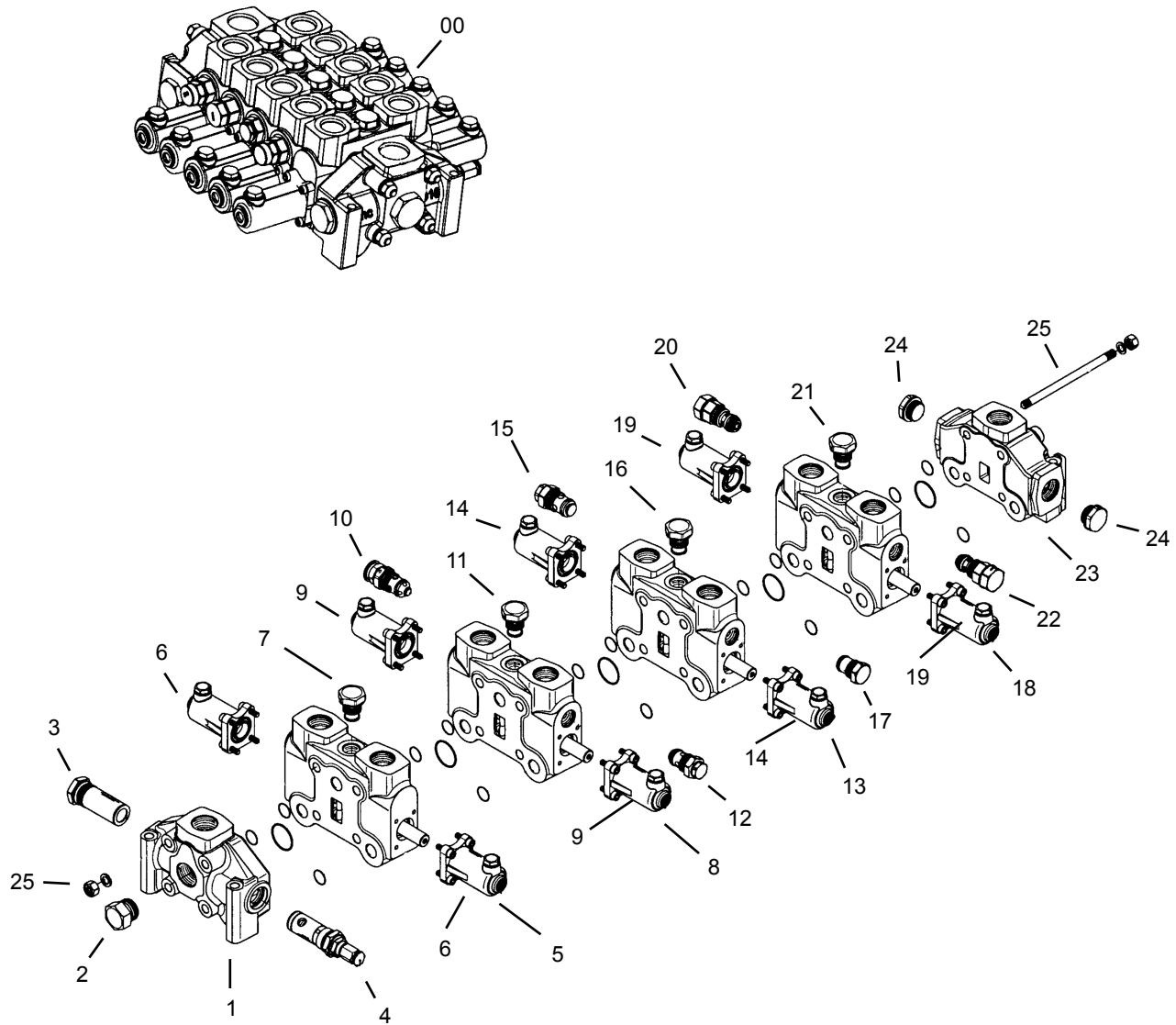


Item No.	Part No.	Description	Qty. Req.
06	50380273	COMPLETE VALVE . . . . .	1
		<i>(includes all items shown and listed)</i>	
07	50220634	2/4 WAY SOLENOID VALVE . . . . .	1
	50220635	SEAL KIT FOR VALVE . . . . .	1
08	104736	12 VDC COIL (WEATHERPAK) . . . . .	1
09	50220631	PROPORTIONAL PRESS. VALVE . . . . .	4
	50220632	SEAL KIT ( <i>one per valve</i> ) . . . . .	4
	50220633	SCREWS, M4-0.7x12mm . . . . .	8
		<i>(not shown)</i>	
10	NSS	MANIFOLD . . . . .	1

Item No.	Part No.	Description	Qty. Req.
01	103413	RADIO REMOTE MANIFOLD . . . . .	1
		<i>(includes all items shown and listed)</i>	
02	103508	2/4 WAY SOLENOID VALVE . . . . .	1
	103511	SEAL KIT FOR VALVE . . . . .	1
03	103510	12 VDC COIL (DIN CONN.) . . . . .	5
04	103509	PROPORTIONAL PRESS. VALVE . . . . .	4
	103512	SEAL KIT FOR VALVE . . . . .	AR
05	NSS	MANIFOLD . . . . .	1

**-- ITEMS NOT SHOWN --**

--	103514	SHUTTLE VALVE . . . . .	4
--	103513	SEAL KIT FOR VALVE . . . . .	AR

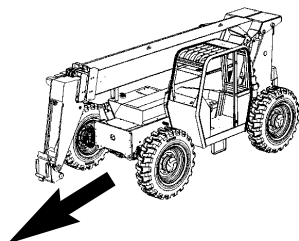
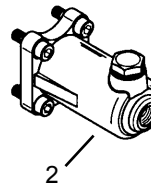
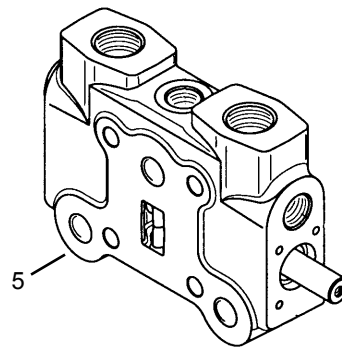
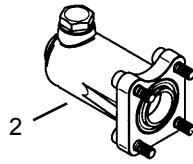
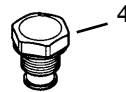
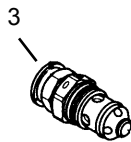
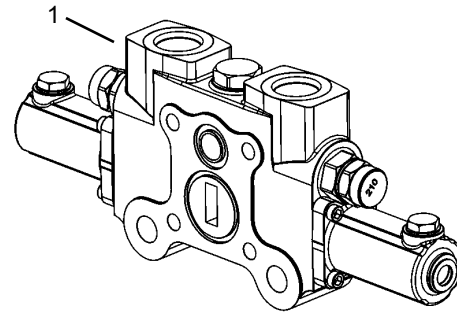


# Telescopic Handler

# Hydraulic Components

## Main Valve

Ref. No.	Part No.	Description	Qty. Req.	Ref. No.	Part No.	Description	Qty. Req.
00		MAIN HYDRAULIC VALVE . . . . .	1	24 <sup>h</sup>	103068	PLUG . . . . .	AR
	102356	<i>Note x - (4-section valve)</i>		25 <sup>i</sup>		TIE ROD KIT . . . . .	4
	210320	<i>Note y - (5-section valve—shown)</i>				<i>(includes 1 bolt, 2 nuts &amp; 2 washers)</i>	
01 <sup>a</sup>	103054	INLET SECTION . . . . .	1		103059	FOUR-SECTION VALVE	
		<i>(includes items 1-4)</i>			102807	FIVE-SECTION VALVE	
02 <sup>h</sup>	103051	PLUG KIT 1-5/16" UNF . . . . .	1	26 <sup>f</sup>	103062	SEAL KIT . . . . .	1
03 <sup>h</sup>	103050	PLUG KIT . . . . .	1				
04	103049	PILOT OPERATED RELIEF VLV . . .	1				
		<i>(with copper washer—seal)</i>		a		<i>Use seal kit #103063 for all related seals.</i>	
05 <sup>b</sup>	103055	WORK SECTION (Frame Level) . . .	1	b		<i>Use seal kit #103075 for all related seals.</i>	
		<i>(includes items 5-7)</i>		c		<i>Use seal kit #103065 for all related seals.</i>	
06 <sup>g</sup>	103053	HYD. CONTROL KIT (actuator) . . .	1	d		<i>Use seal kit #103066 for all related seals.</i>	
07 <sup>h</sup>	103052	CHECK VALVE . . . . .	1	e		<i>Use seal kit #103067 for all related seals.</i>	
08 <sup>c</sup>	103056	WORK SECTION (Boom In/out) . . .	1	f		<i>Items included with seal kit are not shown in detail.</i>	
		<i>(includes items 8-12)</i>				<i>For five-section valves, order seal kits:</i>	
09 <sup>g</sup>	103053	HYD. CONTROL KIT (actuator) . . .	1			<i>(1)103062 main valve seal kit and (1) 103087</i>	
10 <sup>h</sup>	103048	ANTI-SHOCK VALVE (140 BAR) . . .	1			<i>auxiliary section seal kit.</i>	
11 <sup>h</sup>	103052	CHECK VALVE . . . . .	1	g		<i>Includes outer caps, o-rings, bolts, plug and</i>	
12 <sup>h</sup>	103046	ANTI-CAVITATION VALVE . . . . .	1			<i>internal spool spring for this work section; does</i>	
13 <sup>d</sup>	103057	WORK SECTION (Boom Up/Down) 1	1			<i>not include o-rings for valves/plugs or the spool.</i>	
		<i>(includes items 13-17)</i>		h		<i>Includes required seals/o-rings for this valve/plug.</i>	
14 <sup>g</sup>	103053	HYD. CONTROL KIT (actuator) . . .	1			<i>Seals/o-rings for this valve are not sold individually,</i>	
15 <sup>h</sup>	103046	ANTI-CAVITATION VALVE . . . . .	1			<i>however they are included with the work section</i>	
16 <sup>h</sup>	103052	CHECK VALVE . . . . .	1			<i>seal kit where this valve is used.</i>	
17 <sup>h</sup>	103047	KIT PLUG . . . . .	1	i		<i>Order four kits to replace all four studs, eight nuts</i>	
18 <sup>e</sup>	103058	WORK SECTION (Tilt) . . . . .	1			<i>and eight washers.</i>	
		<i>(includes items 18-22)</i>		x		<i>Does not include auxiliary hydraulics valve section.</i>	
19 <sup>g</sup>	103053	HYD. CONTROL KIT (actuator) . . .	1	y		<i>Includes auxiliary hydraulics valve section (not</i>	
20 <sup>h</sup>	50380891	VALVE/COMB-ANTI-CAV. . . . .	1			<i>shown) refer to next page for information regarding</i>	
21 <sup>h</sup>	103052	CHECK VALVE . . . . .	1			<i>auxiliary hydraulics work section.</i>	
22 <sup>h</sup>	50380891	VALVE/COMB-ANTI-CAV. . . . .	1				
23	103061	OUTLET SECTION . . . . .	1				
		<i>(includes item 24)</i>					



# Telescopic Handler

# Hydraulic Components

## Main Valve - Auxiliary Hydraulics Work Section

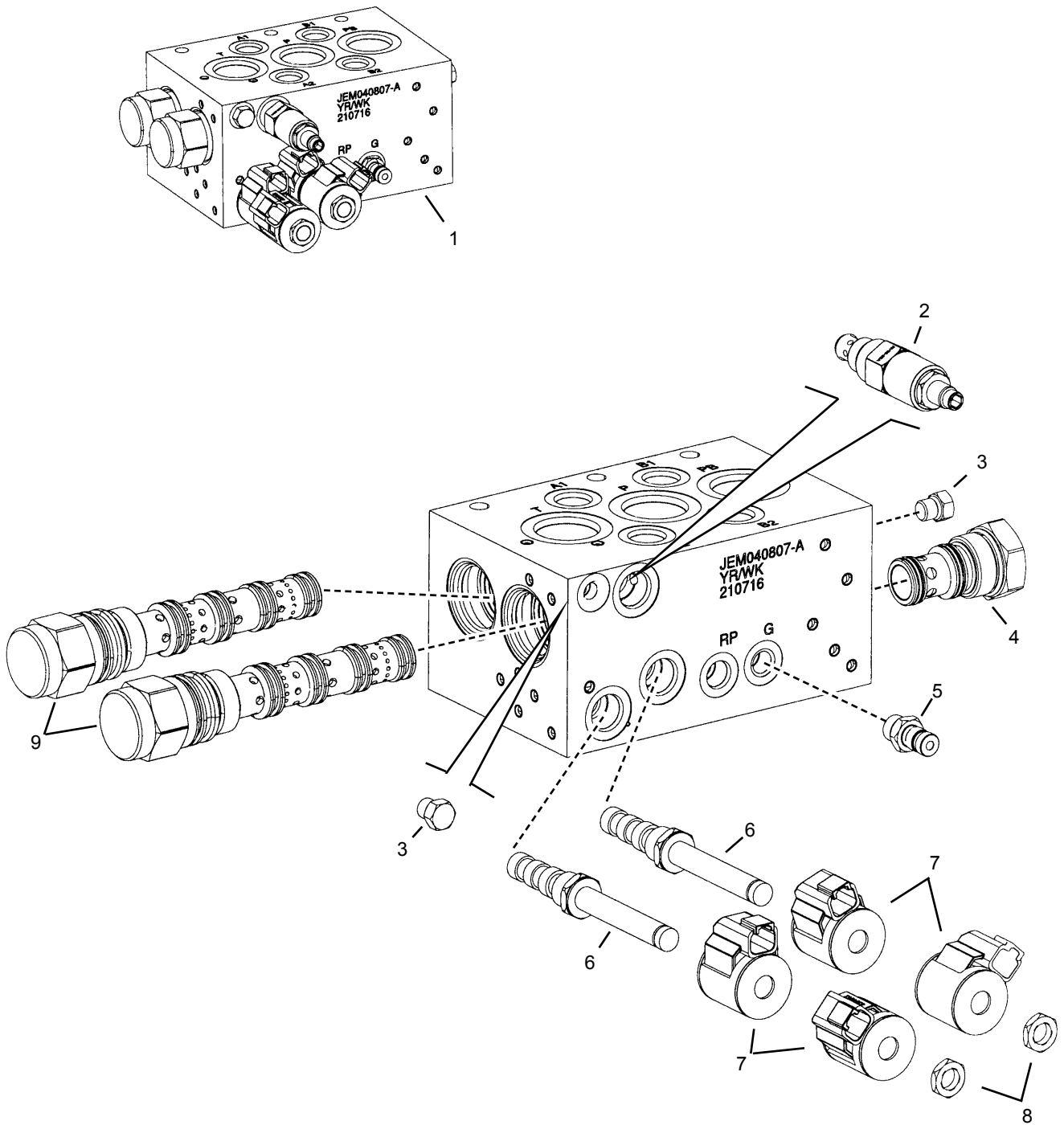
Ref. No.	Part No.	Description	Qty. Req.	Ref. No.	Part No.	Description	Qty. Req.
01	102420	AUXILIARY HYD WORK SECT. . . . .1 <i>(includes items 2-5)</i>		05	NSS	VALVE BODY . . . . .1	
02 <sup>a</sup>	103053	HYDRAULIC CONTROL KIT . . . . .1		06 <sup>b</sup>	103087	SEAL KIT . . . . .1	
03 <sup>c</sup>	103086	ANTI-SHOCK VALVE . . . . .1		<b>-- ITEMS NOT SHOWN --</b>			
04 <sup>c</sup>	103052	CHECK VALVE . . . . .1		00	102807	KIT, FIVE SECTION TIE BOLT . . . . .4 <i>(includes one bolt, two nuts, and two washers)</i>	

- a *Includes outer caps, o-rings, bolts, plug, and internal spool spring for this work section; does not include o-rings for valves, plugs, or the spool.*
- b *Items included with seal kit are not shown in detail.*
- c *Seals/O-rings for this valve are not sold individually; however, they are included with the work section seal kit where this valve is used.*
- d *Order four kits to replace all four studs: eight nuts and eight washers.*

# Hydraulic Components

## Outrigger Valve

# RS Series

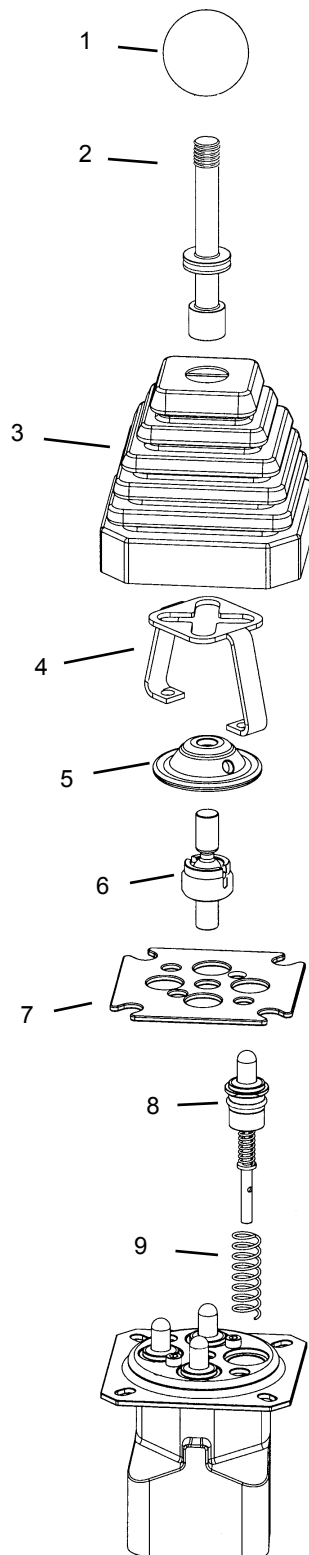
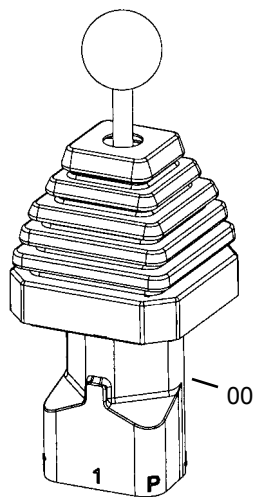


# Telescopic Handler

# Hydraulic Components

## Outrigger Valve

Ref. No.	Part No.	Description	Qty. Req.	Ref. No.	Part No.	Description	Qty. Req.
01	210716	OUTRIGGER VALVE . . . . .	1	07	104736	E-COIL . . . . .	4
02	L99927	DIFFERENTIAL RELIEF VALVE . . .	1	08	NSS	COIL NUT ( <i>included with item 6</i> ) . . .	2
	L99925	SEAL KIT . . . . .	1	09	106880	PROPORTIONAL VALVE . . . . .	2
03	230-32364	ADAP., -4 ORM SAE PLUG . . . . .	2				
04	106878	PILOTED SPOOL . . . . .	1				
	190-32851	SEAL KIT . . . . .	1				
05 <sup>a</sup>	P471997	TEST PORT . . . . .	1	25	210723	WIRE HARNESS, OUTRIGGERS. . .	1
06	50280198	4-WAY/3-POS. VALVE . . . . .	2				
	106883	SEAL KIT ( <i>1 per valve</i> ) . . . . .	AR				
						<b>-- (ITEMS NOT SHOWN) --</b>	
				a		<i>Optional parts (not included or shown):</i>	
					L62840	DUST CAP . . . . .	1
					L62933	FEMALE COUPLER . . . . .	1



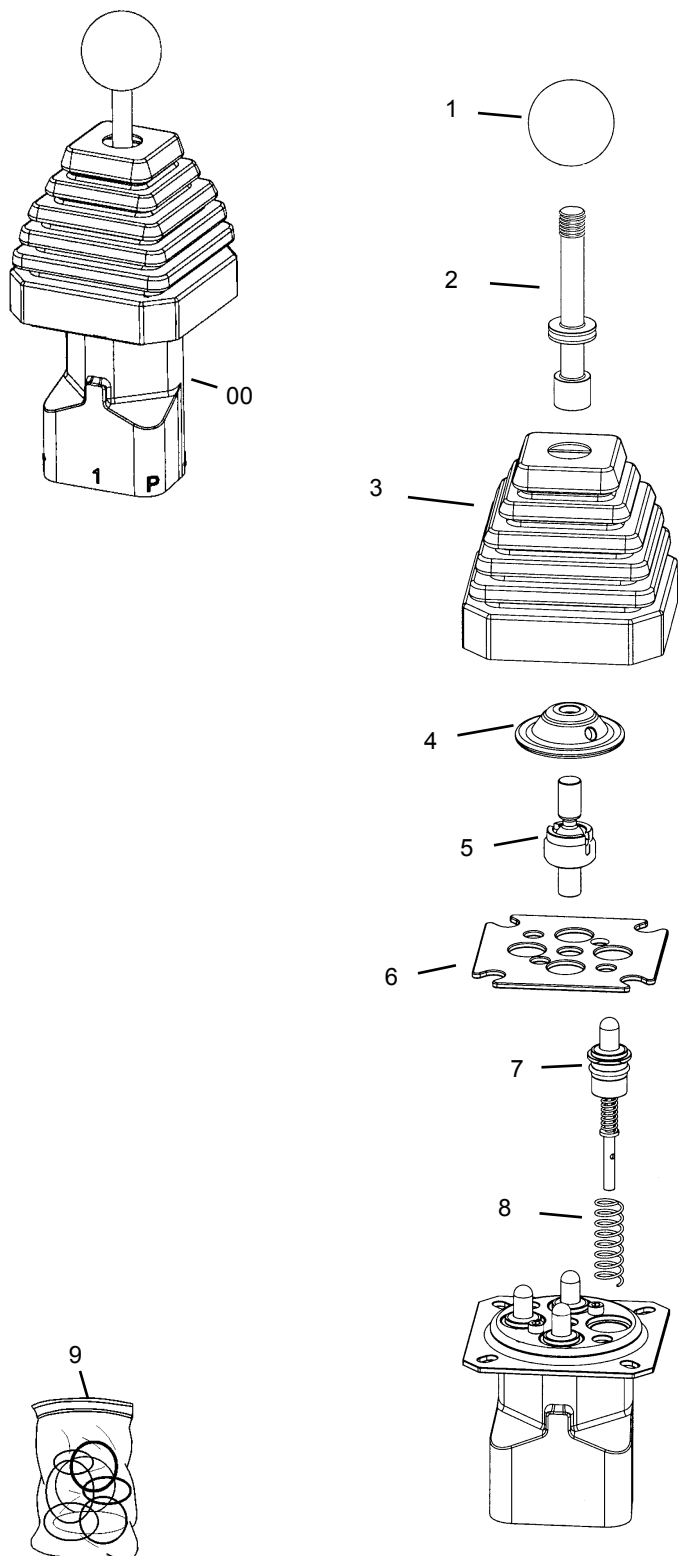


# Telescopic Handler

# Hydraulic Components Controller - Tilt/Frame Level

Ref. No.	Part No.	Description	Qty. Req.	Ref. No.	Part No.	Description	Qty. Req.
00	102784	HYDRAULIC CONTROLLER . . . . .	1	07	103116	PLATE, BOOT MOUNT . . . . .	1
01	103122	KNOB. . . . .	1	08	103079	METERING CURVE ( <i>as shown</i> ) . . . . .	4
02	103112	LEVER ROD ( <i>as shown</i> ). . . . .	1	09	103080	RETURN SPRING. . . . .	4
03	103113	BOOT. . . . .	1	10 <sup>a</sup>	103117	SEAL KIT. . . . .	1
04	102674	LOCK GATE . . . . .	1				
05	103114	SELECTOR DISC . . . . .	1				
06	103115	PIVOT, BALL JOINT . . . . .	1				

a *Items included in seal kit are not shown.*

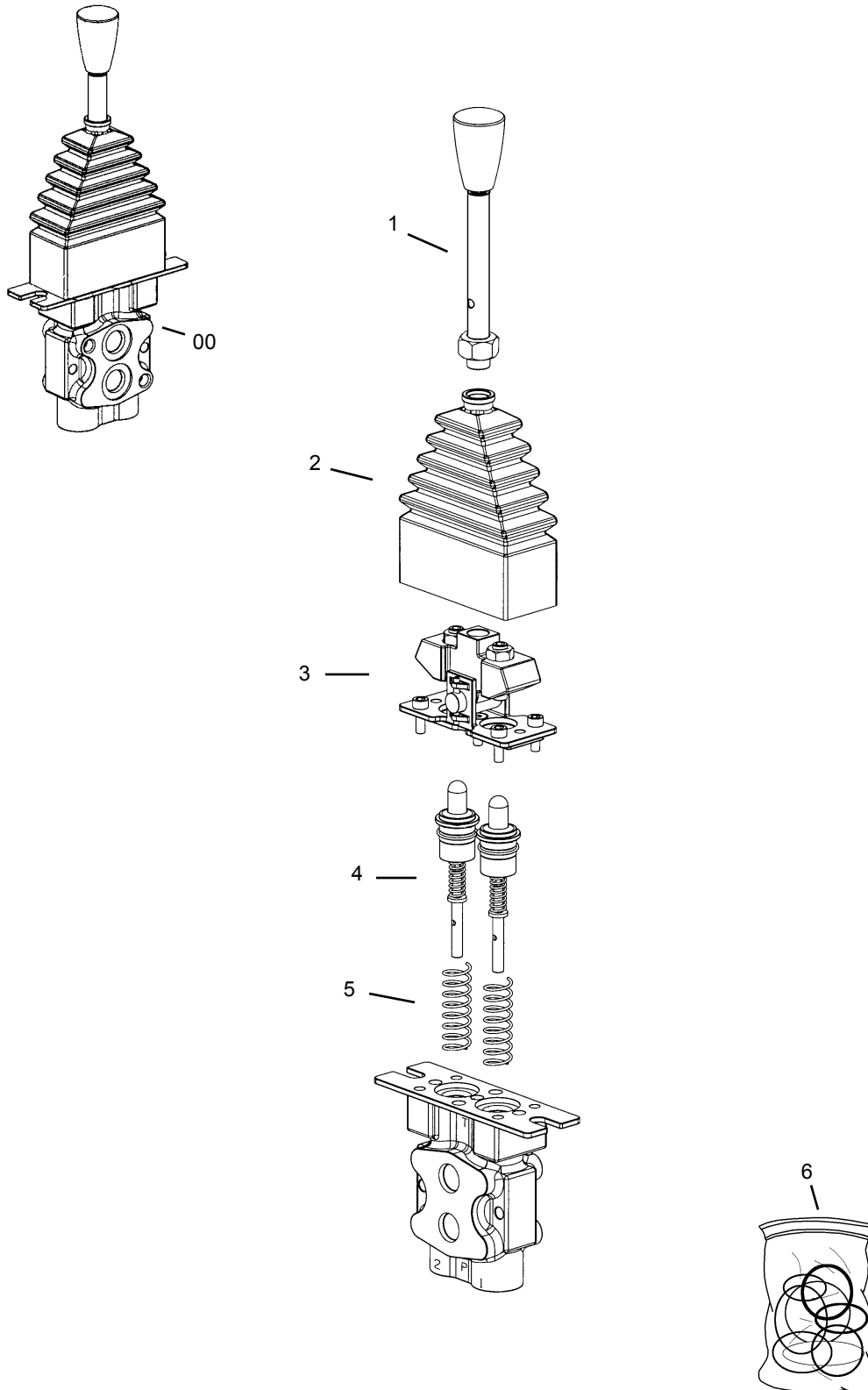


# Telescopic Handler

# Hydraulic Components Controller - Boom Lift/Extend

Ref. No.	Part No.	Description	Qty. Req.	Ref. No.	Part No.	Description	Qty. Req.
00	102434	HYDRAULIC CONTROLLER . . . . .	1	06	103116	PLATE /BOOT MOUNT . . . . .	1
01	103122	KNOB . . . . .	1	07	103079	METERING CURVE ( <i>as shown</i> ) . . . . .	4
02	103112	LEVER ROD ( <i>as shown</i> ) . . . . .	1	08	103080	RETURN SPRING . . . . .	4
03	103113	BOOT . . . . .	1	09 <sup>a</sup>	103117	SEAL KIT . . . . .	1
04	103114	SELECTOR DISC . . . . .	1				
05	103115	PIVOT, BALL JOINT . . . . .	1				

a Items included in seal kit are not shown.



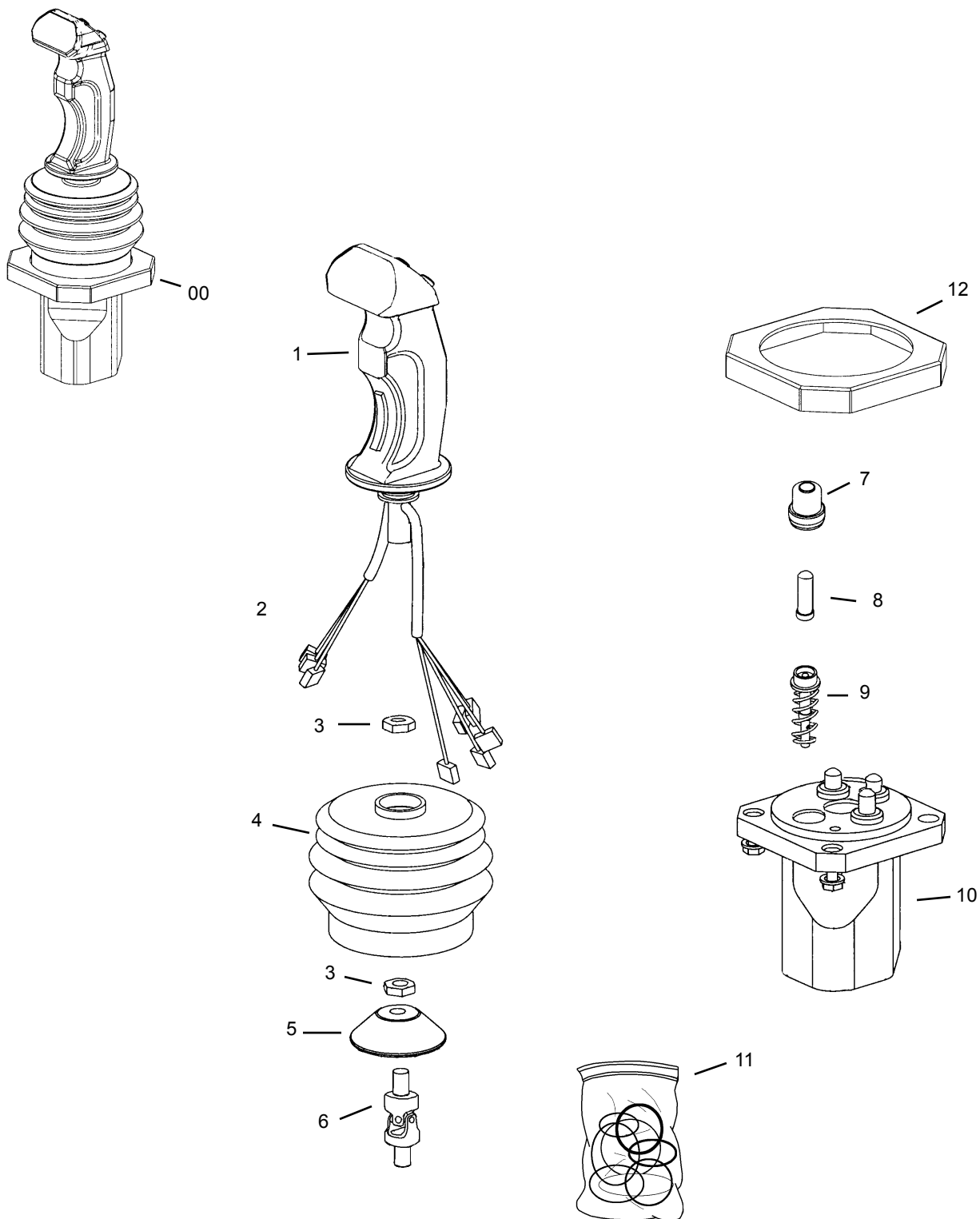
# Telescopic Handler

# Hydraulic Components

## Controller - Auxiliary Hydraulics (Standard) - Frame Level (Tri-Function)

Ref. No.	Part No.	Description	Qty. Req.	Ref. No.	Part No.	Description	Qty. Req.
00	102435	HYDRAULIC CONTROLLER . . . . .	1	04	103079	METERING CURVE ( <i>as shown</i> ) . . .	2
01	103077	LEVER ROD ( <i>as shown</i> ) . . . . .	1	05	103080	RETURN SPRING . . . . .	2
02	103084	BOOT ( <i>included with item 3</i> ) . . . . .	1	06 <sup>a</sup>	103083	SEAL KIT . . . . .	1
03	103078	CONTROL KIT . . . . . ( <i>includes item 2</i> )	1				

a Items included in seal kit are not shown.



# Telescopic Handler

# Hydraulic Components Controller - Tri-Function

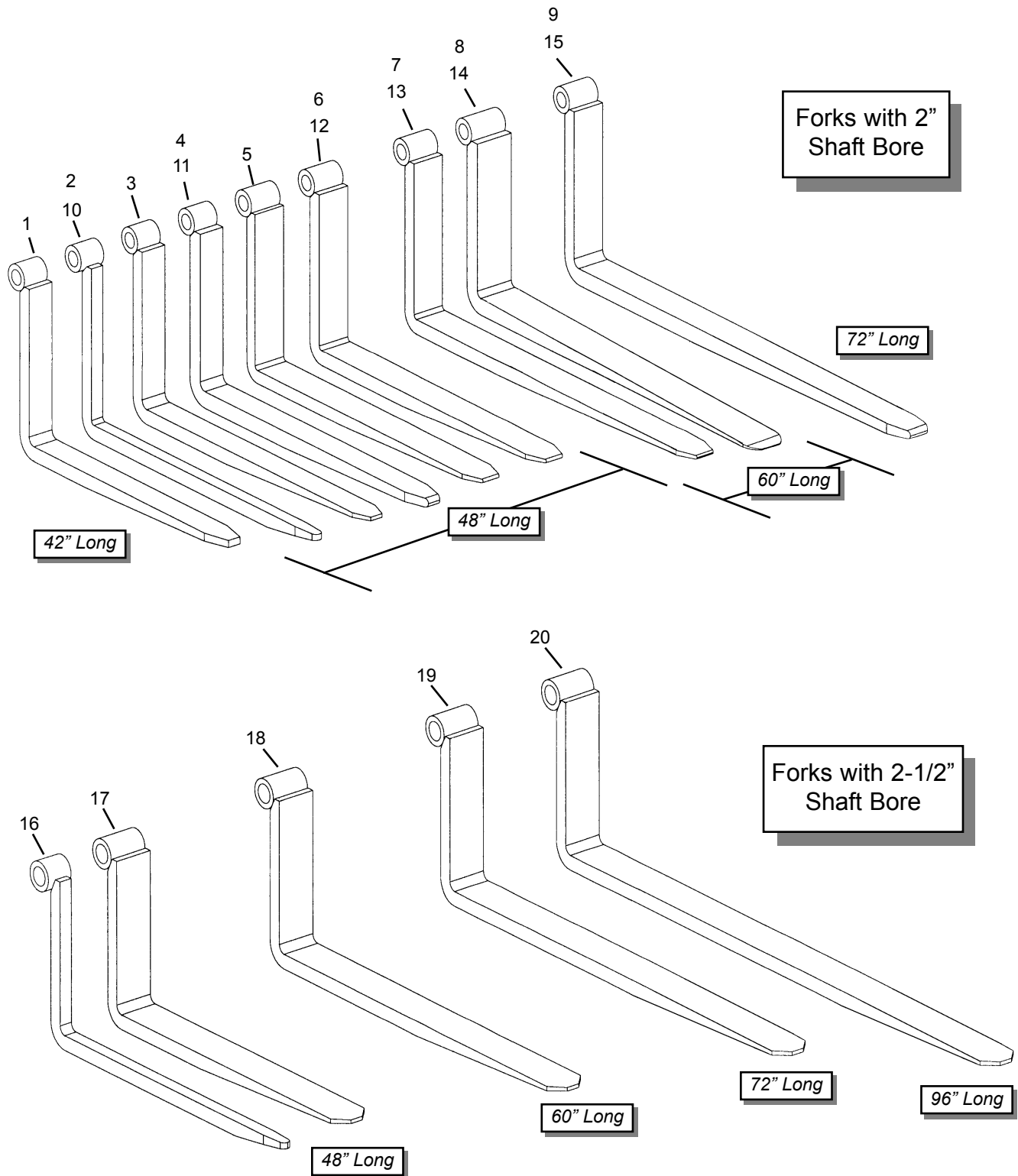
Ref. No.	Part No.	Description	Qty. Req.	Ref. No.	Part No.	Description	Qty. Req.
00	104083	JOYSTICK, 4-BUTTON/TRIGGER .	1	08	L500690	HPV SPINDLE 10mm . . . . .	4
01	L500371	HANDLE W/4-BUTTONS . . . . .	1	09	104223	PILOT SPRING PACK C059 . . . . .	4
02	L62761	WIRE CONNECTOR . . . . .	8	10	NSS	BODY ASSEMBLY . . . . .	1
03	L500688	NUT M10 UNI . . . . .	2	11 <sup>a</sup>	L500653	SEAL REPAIR KIT . . . . .	1
04	L500656	RUBBER BOOT . . . . .	1	12	104304	BEZEL, JOYSTICK . . . . .	1
05	L500689	SELECTOR DISC . . . . .	1				
06	L500652	UNIVERSAL JOINT . . . . .	1				
07	L500692	SPINDLE GUIDE ASSEMBLY . . . . .	4				

*a Items included in the seal kit are not shown.*

# Attachments

## Carriage Forks

# RS Series





## WARNING

When ordering forks, select forks with a rating capacity that meets or exceeds the lifting capacity of the machine; failure to use the correct forks could result in injury or death. For more information contact your dealer (or manufacturer).

### RS6 and RS8 Models Only

Ref. No.	Part No.	Description	Qty. Req.
<b>-- 2" FORK SHAFT DIAMETER --</b>			
<b>(42" long)</b>			
01	L71350	FORK, 42"X4"X2" (8,400 lbs.) . . . . .	2
<b>(48" long)</b>			
02 <sup>a</sup>	L61001	FORK, 48"X2"X2" (4,200 lbs.) . . . . .	4
03	L61017	FORK, 48"X4"X2" (8,400 lbs.) . . . . .	2
04	L66406	FORK, 48"X4"X2-1/4" (12,000 lbs.) . . . . .	2
05	L400929	FORK, 48"X5"X1-3/4" (8,500 lbs.) . . . . .	2
06	L47263	FORK, 48"X5"X2" (10,500 lbs.) . . . . .	2
<b>(60" long)</b>			
07	L47265	FORK, 60"X5"X2" (10,500 lbs.) . . . . .	2
08	L60961	FORK, 60"X6"X2-1/4" (12,500 lbs.) . . . . .	2
<b>(72" long)</b>			
09	L68331	FORK, 72"X5"X2" (10,500 lbs.) . . . . .	2

a Requires 2 sets (4 forks).



**NOTE:** Ratings for forks listed in the RS6 and RS8 Models Only column are based on two forks with a load center of 24"; except for item #2 where four forks are required.

### RS10 and RS12 Models Only

Ref. No.	Part No.	Description	Qty. Req.
<b>-- 2" FORK SHAFT DIAMETER --</b>			
<b>(48" long)</b>			
10 <sup>bc</sup>	L61001	FORK, 48"X2"X2" (4,200 lbs.) . . . . .	6
11	L66406	FORK, 48"X4"X2-1/4" (12,000 lbs.) . . . . .	2
12	L47263	FORK, 48"X5"X2" (10,500 lbs.) . . . . .	2
<b>(60" long)</b>			
13	L47265	FORK, 60"X5"X2" (10,500 lbs.) . . . . .	2
14	L60961	FORK, 60"X6"X2-1/4" (12,000 lbs.) . . . . .	2
<b>(72" long)</b>			
15	L68331	FORK, 72"X5"X2" (10,500 lbs.) . . . . .	2
<b>-- 2-1/2" FORK SHAFT DIAMETER --</b>			
<b>(48" long)</b>			
16 <sup>d</sup>	L61001	FORK, 48"X2"X2" (4,200 lbs.) . . . . .	6
17 <sup>d</sup>	L71159	FORK, 48"X6"X2" (12,600 lbs.) . . . . .	2
<b>(60" long)</b>			
18 <sup>d</sup>	L71160	FORK, 60"X6"X2" (12,600 lbs.) . . . . .	2
<b>(72" long)</b>			
19 <sup>d</sup>	L71161	FORK, 72"X6"X2" (12,600 lbs.) . . . . .	2
<b>(96" long)</b>			
20 <sup>d</sup>	210736	FORK, 96"X5"X2-1/4" (12,000 lbs.) . . . . .	2

b Requires three sets (6 forks).

c Used ONLY on RS10-44 and RS10-55 models.

d Used ONLY on RS12-42 model.

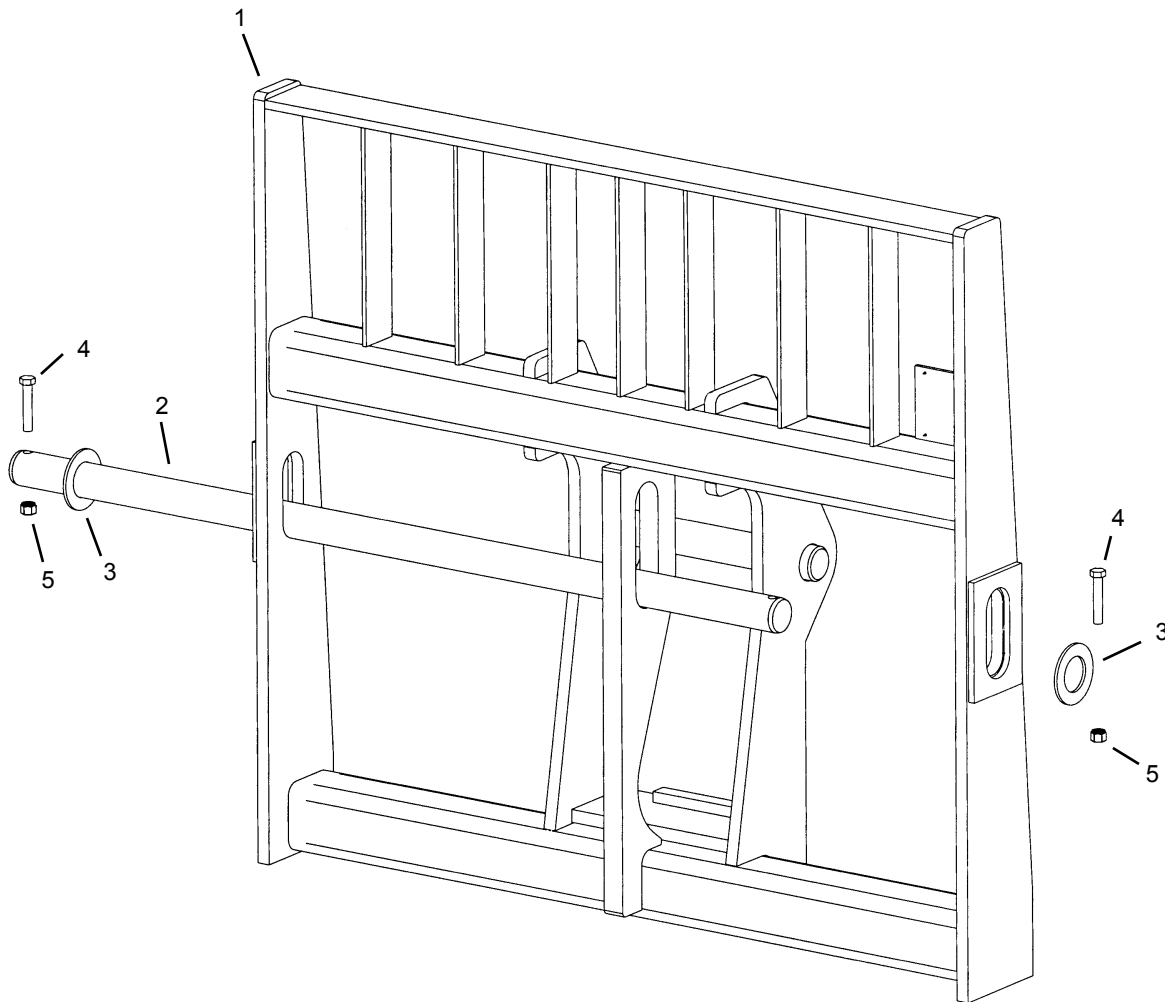


**NOTE:** Ratings for forks listed in the RS10 and RS12 Models Only column are based on two forks with a load center of 24"; except for items #10 and #16 where six forks are required.

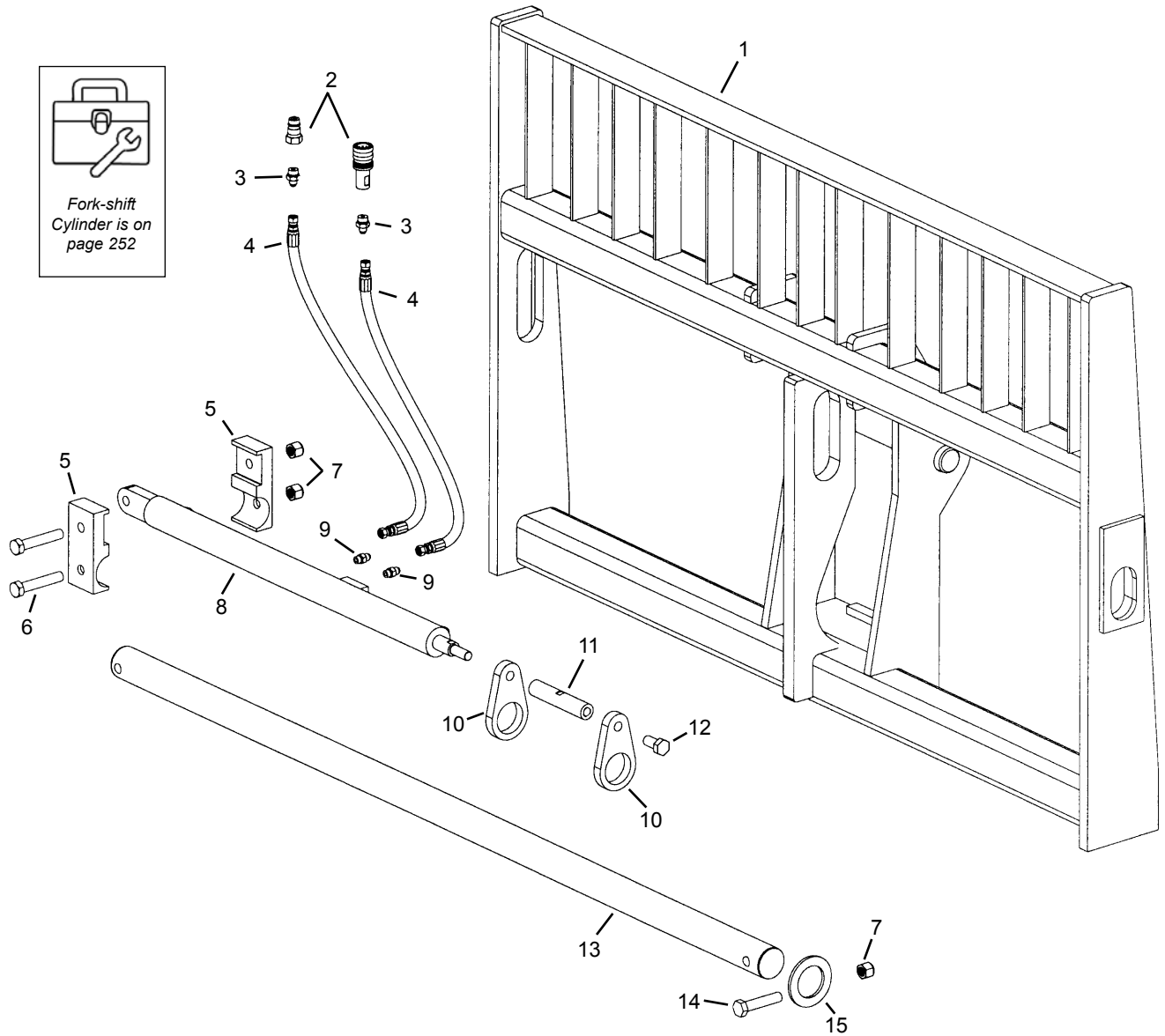
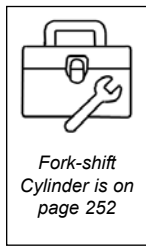
# Attachments

## Standard Carriage

# RS Series



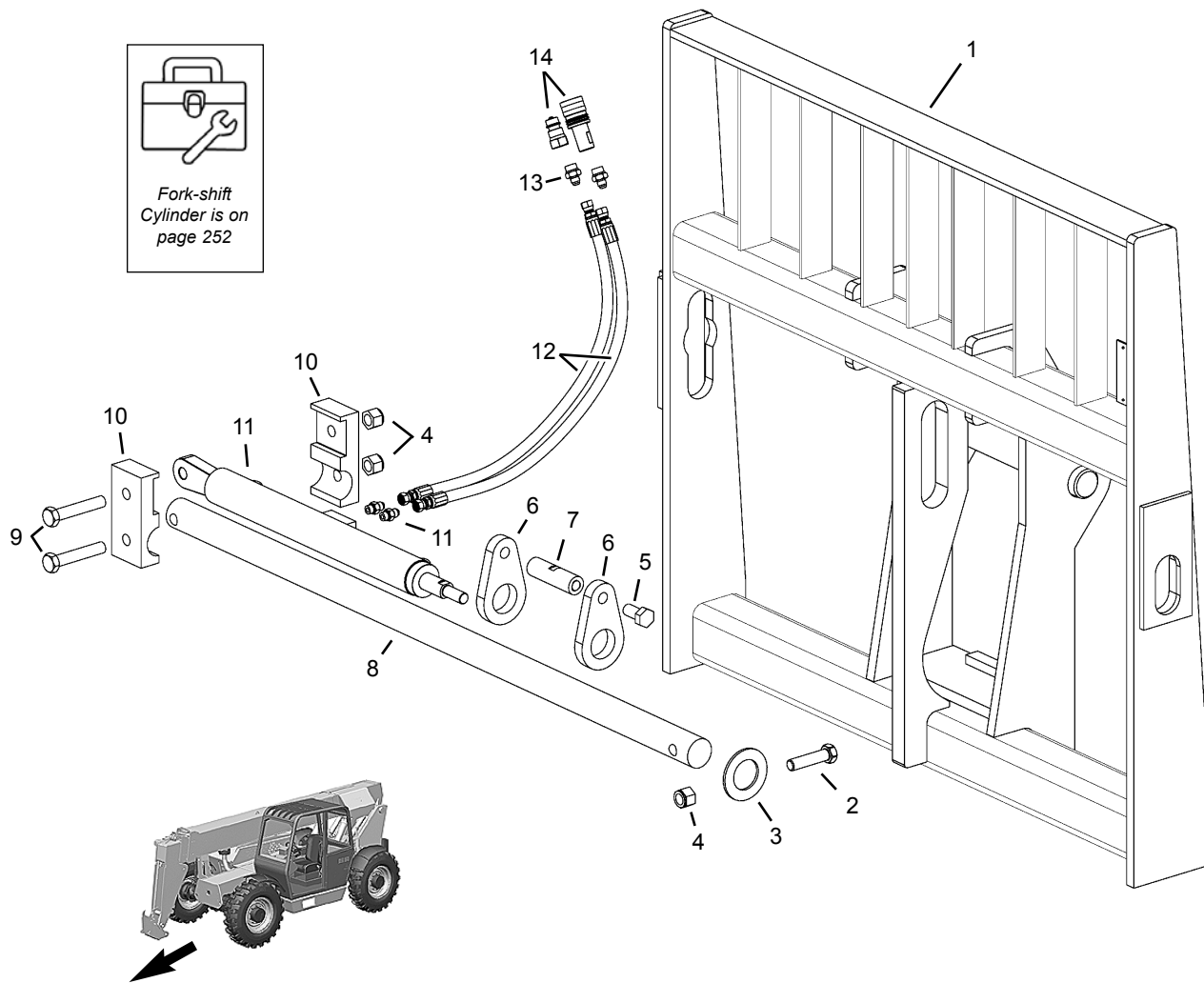
Ref. No.	Part No.	Description	Qty. Req.	Ref. No.	Part No.	Description	Qty. Req.
01		CARRIAGE WELDMENT . . . . .	1	03		FORK SHAFT WASHER . . . . .	2
	L99190	48" (uses 2" pin) . . . . .	1		L400425	Note a	
	430171	48" (uses 2-1/2" pin) . . . . .	1		100369	Note b	
	L99191	66" (uses 2" pin) . . . . .	1	04		BOLT . . . . .	2
	430173	66" (uses 2-1/2" pin) . . . . .	1		L510003	1/2"X2-3/4" - (Note a) . . . . .	2
	210407	72" (uses 2" pin) . . . . .	1		L50294	1/2"-13"X3-1/2" - (Note b) . . . . .	2
	104870	72" (uses 2-1/2" pin) . . . . .	1	05	L520019	1/2"-13 NYLON INSERT NUT . . . . .	2
02		FORK SHAFT BAR . . . . .	1				
	L65223	(2"X51-1/2") . . . . .	1	a		Used with 2" diameter fork shaft bar.	
	L64561	(2"X69-1/2") . . . . .	1	b		Used with 2-1/2" diameter fork shaft bar.	
	L68493	(2"X75-1/2") . . . . .	1				
	101625	(2-1/2"X51-1/2") . . . . .	1				
	101624	(2-1/2"X69-1/2") . . . . .	1				
	104844	(2-1/2"X74-3/4") . . . . .	1				



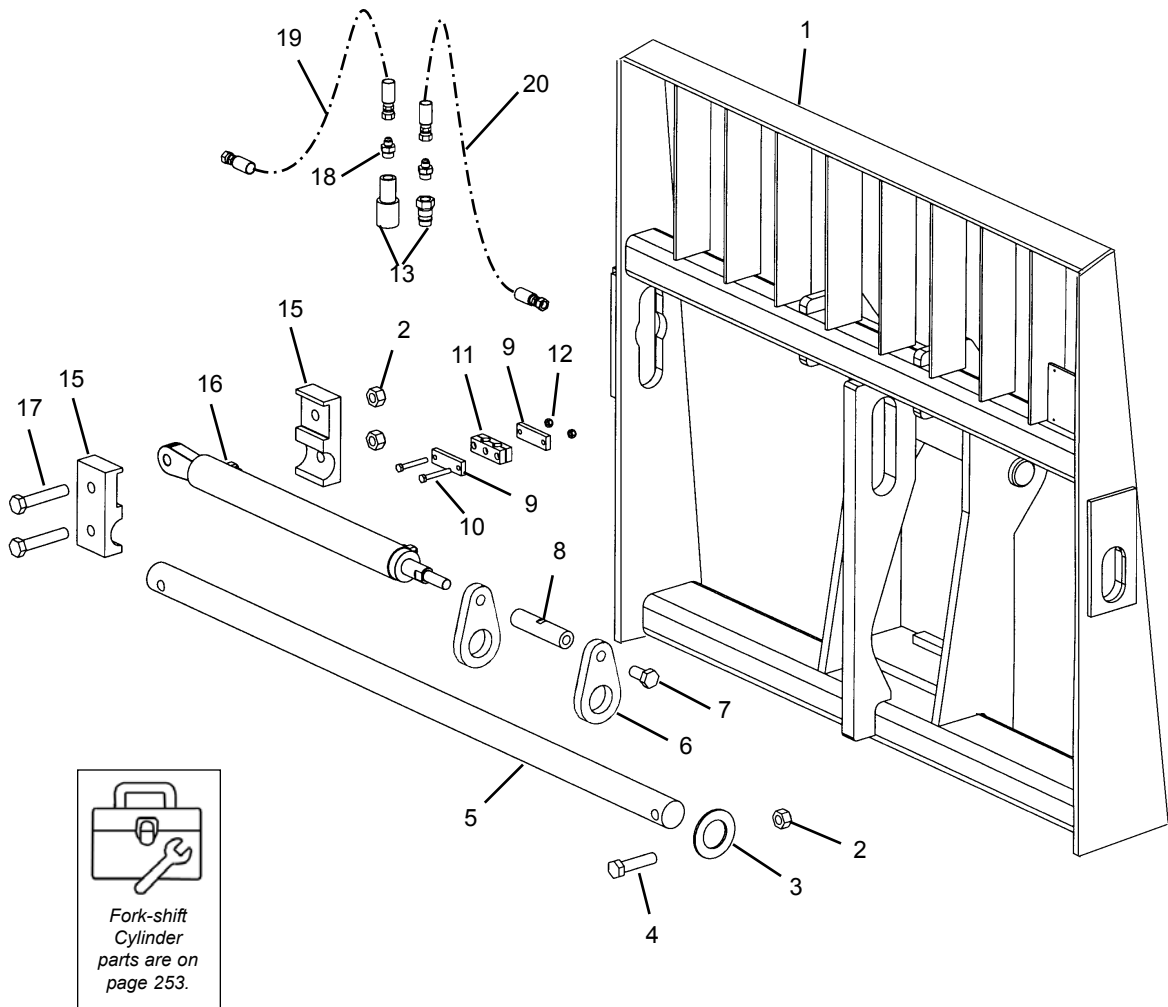
Ref. No.	Part No.	Description	Qty. Req.	Ref. No.	Part No.	Description	Qty. Req.
01 <sup>a</sup>	210926	72" FORK-SHIFT CARRIAGE . . . . . 1 (Dynattach® Carriage) (frame)	1	09	054994	ADAP, -6ORM -6JICM . . . . . 2	2
02	L65273	COUPLER SET . . . . . 1	1	10	210904	FORK SLIDE PLATE . . . . . 2	2
03	L63143	ADAP -8ORM -6JICM W/.06 ORF . 2	2	11	210905	COUPLER, 6" . . . . . 1	1
04	175720	HOSE -6 A6/A6 51" . . . . . 2	2	12	650500	3/4" x 1-1/2" BOLT . . . . . 1	1
05	210898	CLAMP, CYLINDER MOUNT . . . . . 2	2	13	210906	SHAFT, 2-1/2" x 77-5/8" . . . . . 1	1
06	L50562	3/4"-10 x 4" BOLT . . . . . 2	2	14	650173	3/4"-10 x 3-1/2" BOLT . . . . . 1	1
07	079209	3/4"-10 NYLON INSERT NUT . . . . . 3	3	15	100369	FORK SHAFT WASHER . . . . . 1	1
08	210901	FORK-SHIFT CYLINDER . . . . . 1	1				

<sup>a</sup> Fork-shift carriage weldment only; items 2-20 will need to be ordered separately.

## Dynattach® 48" Fork-Shift Carriage

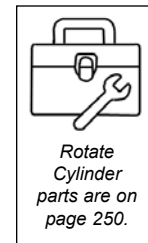


Ref. No.	Part No.	Description	Qty. Req.	Ref. No.	Part No.	Description	Qty. Req.
01 <sup>a</sup>	50220665	48" FORK-SHIFT FRAME . . . . .	1	09	L50562	3/4"-10x4" BOLT . . . . .	2
02	L50333	3/4"-10x3" BOLT . . . . .	1	10	L66918	CYLINDER MOUNT . . . . .	2
03	L400425	FORK SHAFT WASHER . . . . .	1	11	210932	FORK SHIFT CYLINDER . . . . .	1
04	079209	3/4"-10 NYLON INSERT NUT . . . . .	3	12	175720	HOSE, -6 A6/A6 51" . . . . .	2
05	650500	3/4"-10x1-1/2" BOLT . . . . .	1	13	L63143	ST MJ06-MORB08 ORIFICE . . . . .	2
06	L66931	FORK SLIDE PLATE . . . . .	2	14	L65273	COUPLER SET . . . . .	1
07		FORK SLIDE COUPLER . . . . .	1				
	L66921	4" wide forks		a		Fork-shift carriage weldment only; items 2-14 are	
	L66948	5" wide forks				separate parts and can be order individually.	
08	210934	FORK SHAFT (2" x 53-1/8") . . . . .	1				

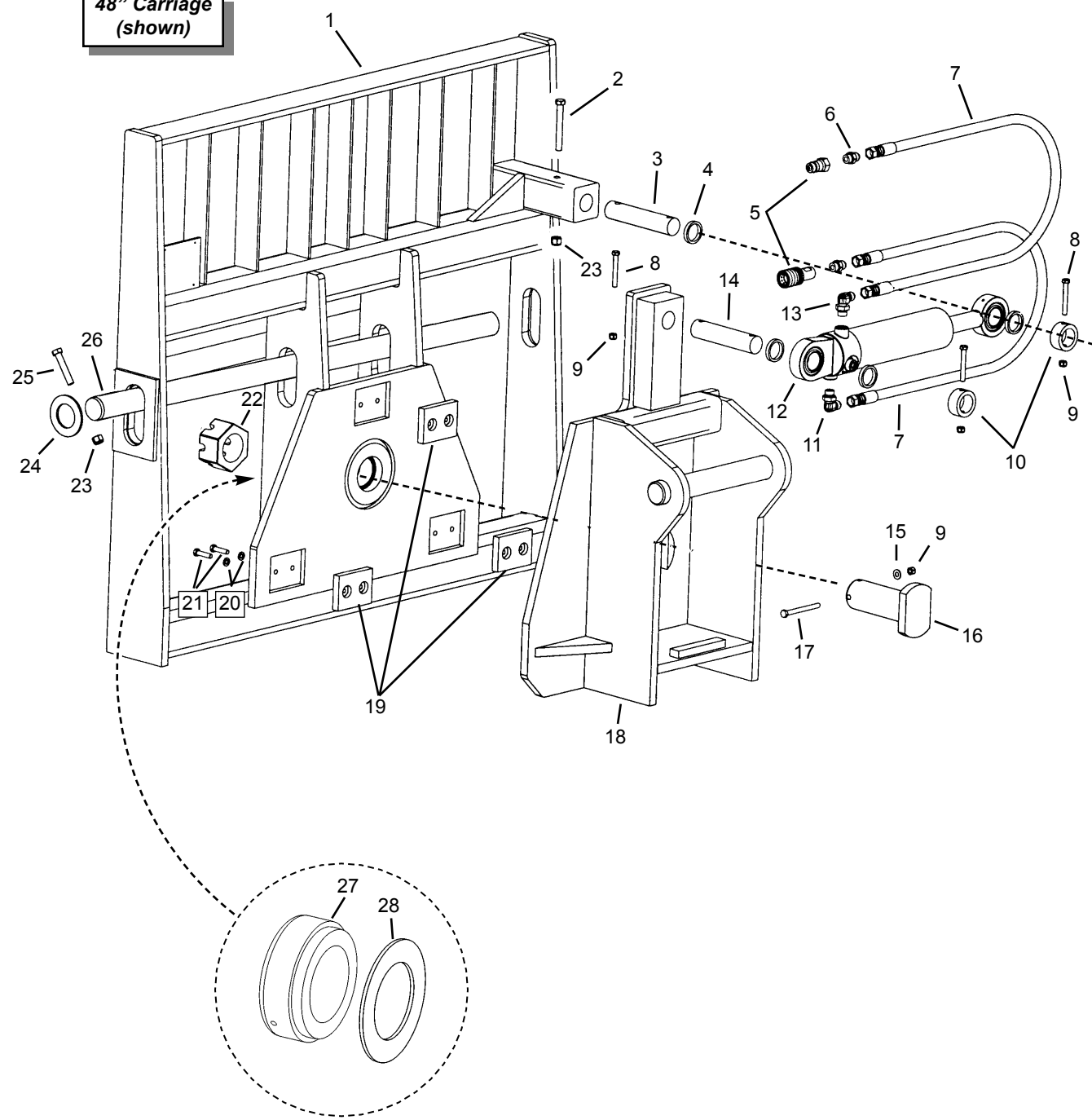


Ref. No.	Part No.	Description	Qty. Req.	Ref. No.	Part No.	Description	Qty. Req.
01	L500213	FORK-SHIFT CARRIAGE . . . . .	1	12	L520004	5/16"-18 NYLON INSERT NUT . . . . .	2
02	L50519	3/4"-10 NYLON INSERT NUT . . . . .	3	13	L65273	QUICK-COUPLER SET . . . . .	1
03	L400425	FORK SHAFT WASHER . . . . .	1	15	L66918	CYLINDER MOUNT . . . . .	2
04	L50333	3/4"-10X3" BOLT . . . . .	1	16	L68337	FORK-SHIFT CYLINDER . . . . .	1
05	L66919	FORK SHAFT, 50" . . . . .	1	17	L50562	3/4"-10X4" BOLT . . . . .	2
06	L66931	FORK SLIDE PLATE . . . . .	2	18	L63143	ADAP., -8ORM -6JICM W/.06 ORF. . . . .	2
07	650500	3/4"-10X1-1/2" BOLT . . . . .	1	19	L66950	HOSE, -6 A6/A6 59" . . . . .	1
08	Note a	FORK SLIDE COUPLER . . . . .	1	20	L66949	HOSE, -6 A6/A6 56" . . . . .	1
09	L63715	TWIN CUSHION TOP PLATE . . . . .	2				
10	L50242	5/16"-18X2-1/4" BOLT . . . . .	2				
11	L63716	TWIN HOSE CUSHION . . . . .	1				

a For 4" wide forks use P/N L66921.  
For 5" wide forks use P/N L66948.



**48" Carriage  
(shown)**



# Telescopic Handler

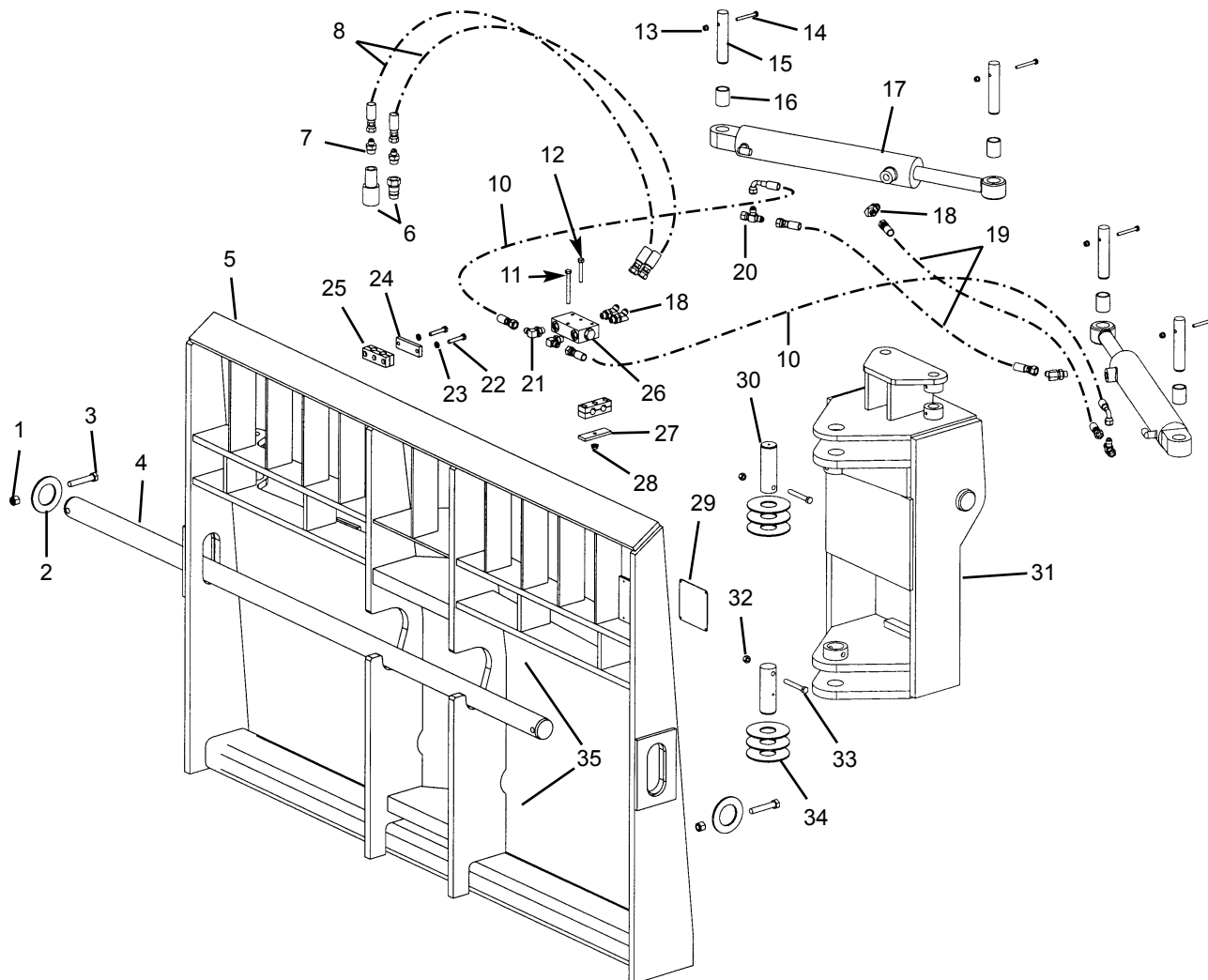
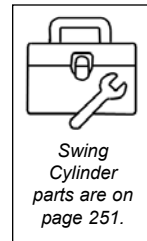
# Attachments Rotating Carriage

Ref. No.	Part No.	Description	Qty. Req.	Ref. No.	Part No.	Description	Qty. Req.
01		CARRIAGE, ROTATING . . . . .	1	18	101999	ROTATOR PLATE WELDMENT . . .	1
	103517	(48" Carriage) 2" dia. fork shaft		19	L61709	SLIDE PAD . . . . .	3
	103518	(66" Carriage) 2" dia. fork shaft		20	L50147	3/8" LOCK WASHER. . . . .	6
	103519	(48" Carriage) 2-1/2" dia. fork shaft		21	L50261	3/8"X1-1/2" BOLT . . . . .	6
	103520	(66" Carriage) 2-1/2" dia. fork shaft		22	L50718	2-1/2"-12 CASTLE NUT. . . . .	1
02	L50982	1/2"X4" BOLT. . . . .	1	23	L520019	1/2"-13 NYLON INSERT NUT . . . .	4
03	L65181	PIN, ROTATOR ROD END . . . . .	1	24		FORK SHAFT WASHER. . . . .	2
04	L61307	SPACER . . . . .	4		L400425	2" ID	
05	L65273	QUICK COUPLER SET. . . . .	1		100369	2-1/2" ID	
06	054626	ADAP., -8ORM -8JICM STR . . . . .	2	25		BOLT . . . . .	2
07	L64294	HOSE, -8 A8/A8 53" . . . . .	2		L510003	1/2"X2-3/4" BOLT (2" dia. shaft)	
08	L50273	3/8"X2-3/4" BOLT . . . . .	3		L50294	1/2"X2-3/4" BOLT (2-1/2" dia. shaft)	
09	L520005	3/8"-16 NYLON INSERT NUT . . . AR		26		FORK SHAFT BAR . . . . .	1
10	L62026	LOCK COLLAR 1.5" OD . . . . .	2		L65223	(48" Carriage) 2" dia. fork shaft	
11	L66017	ADAP., -8ORM -8JICM 90° w/ORF..	2		L64561	(66" Carriage) 2" dia. fork shaft	
12	L70655	ROTATE CYLINDER . . . . .	1		101625	(48" Carriage) 2-1/2" dia. fork shaft	
13	L66017	ADAP., -8ORM -8JICM 90° w/ORF..	2		101624	(66" Carriage) 2-1/2" dia. fork shaft	
14	L65180	PIN, ROTATOR BASE END . . . . .	1	27	100990	BEARING . . . . .	1
15	L50145	3/8" FLAT WASHER. . . . .	AR	28	L61287	WASHER (not shown) . . . . .	AR
16	101003	ROTATOR PIN. . . . .	1				
17	L50801	3/8"X4" BOLT. . . . .	1				

# Attachments

## 90° Swing Carriage

# RS Series





# Telescopic Handler

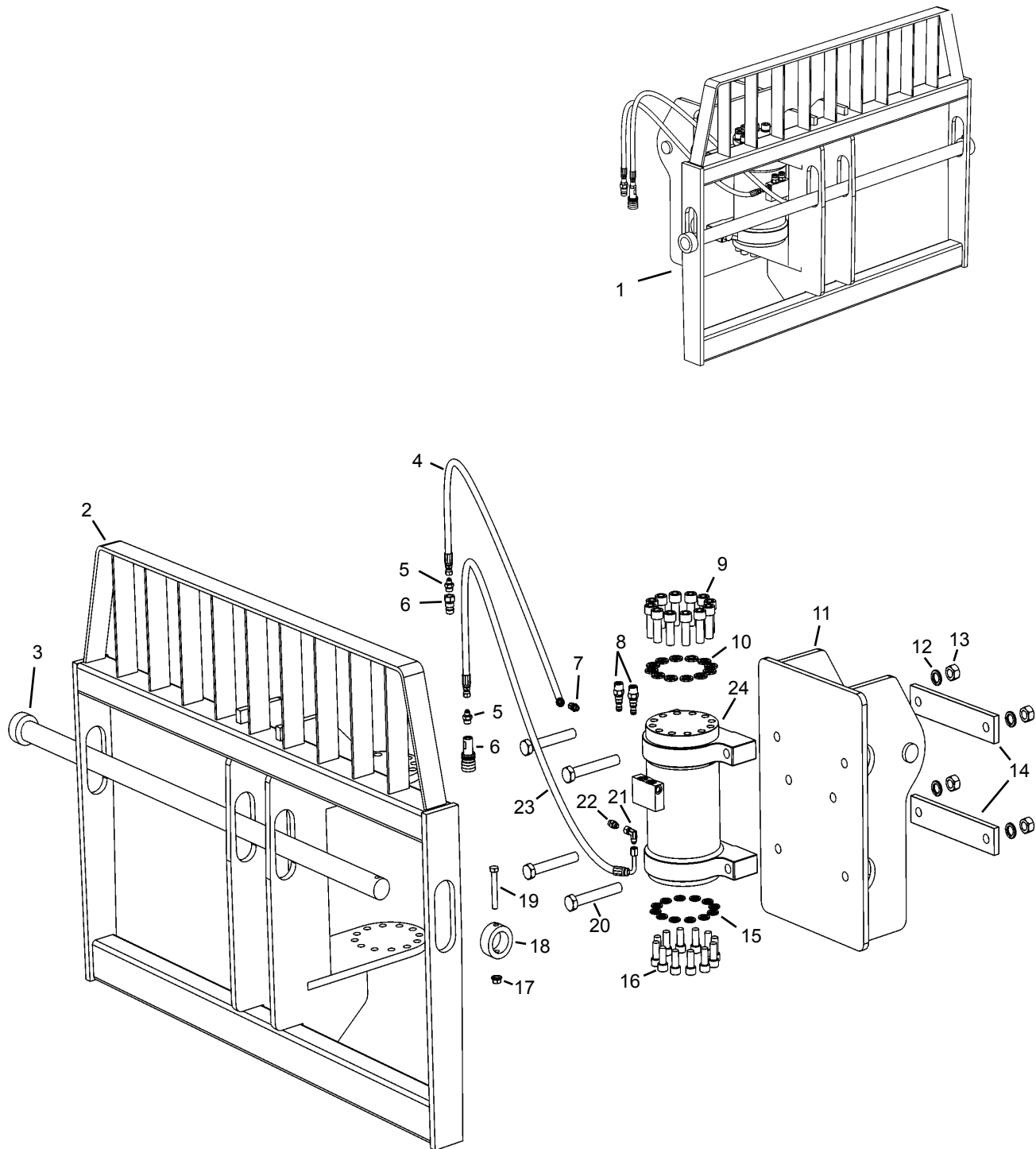
# Attachments 90° Swing Carriage

Ref. No.	Part No.	Description	Qty. Req.	Ref. No.	Part No.	Description	Qty. Req.
01	L520019	1/2"-13 NYLON INSERT NUT . . . . .	2	20	072806	ADAP., -6JICFS -6JICM TEE . . . . .	2
02	L400425	FORK SHAFT WASHER . . . . .	2	21	068938	ADAP., -6ORM -6JICM 90° . . . . .	2
03	L510003	1/2"X2-3/4" BOLT . . . . .	2	22	L50561	5/16"-18X1-3/4" BOLT . . . . .	2
04	L64561	FORK SHAFT BAR (66" Carriage) . . . . .	1	23	654024	5/16" LOCK WASHER . . . . .	2
05	L500216	66" CARRIAGE, SWING . . . . .	1	24	L63715	TWIN CUSH. TOP PLATE . . . . .	1
06	L65273	COUPLER, FEMALE . . . . .	1	25	L63716	TWIN HOSE CUSHION . . . . .	2
07	L63143	ADAP., -8ORM -6JICM STR W.06 . . . . .	2	26	L71651	VALVE, DUAL PO . . . . .	1
08	L66958	HOSE, -6 A6/A6 89" . . . . .	2	27	L63233	HOSE CUSH. TOP PLATE . . . . .	1
10	L63984	HOSE, -4 DS6/A6 22" . . . . .	2	28	L50056	5/16" FLARE NUT . . . . .	2
11	650833	5/16"X3" BOLT . . . . .	1	29	NSS	NAME PLATE . . . . .	1
12	L50835	5/16"X2" BOLT . . . . .	1	30	L63994	PIN, CARRIAGE PIVOT . . . . .	2
13	L520003	1/4" NYLON INSERT NUT . . . . .	4	31	L70719	SWING PIVOT WELDMENT . . . . .	1
14	L50452	1/4"X2-1/4" BOLT . . . . .	4	32	L520005	3/8"-16 NYLON INSERT NUT . . . . .	2
15	L63995	PIN, SWING CYLINDER . . . . .	4	33	650493	3/8"-16X2-3/4" BOLT . . . . .	2
16	L63593	BUSHING . . . . .	4	34	L63951	THRUST WASHER . . . . .	6
17	L63970	SWING CYLINDER . . . . .	2	35	L63468	BUSHING, CARRIAGE PIVOT . . . . .	2
18	L445004	ADAP., -6ORM -6JICM 45 . . . . .	4			(not shown)	
19	100631	HOSE, -4 A6/A6 36" . . . . .	2				

# Attachments

## 180° Swing Carriage

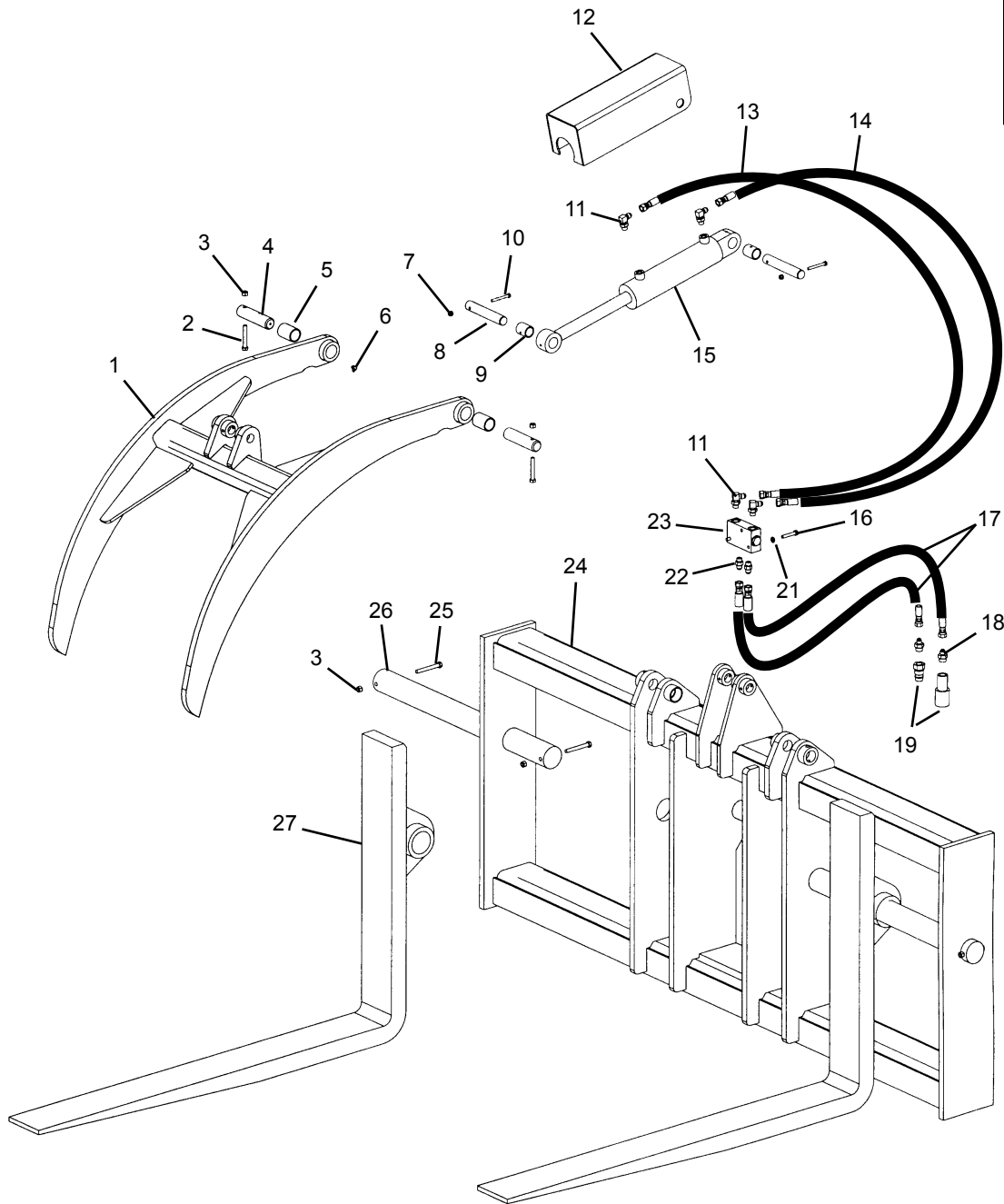
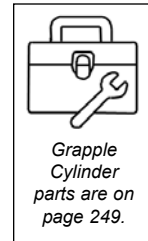
# RS Series



# Telescopic Handler

# Attachments 180° Swing Carriage

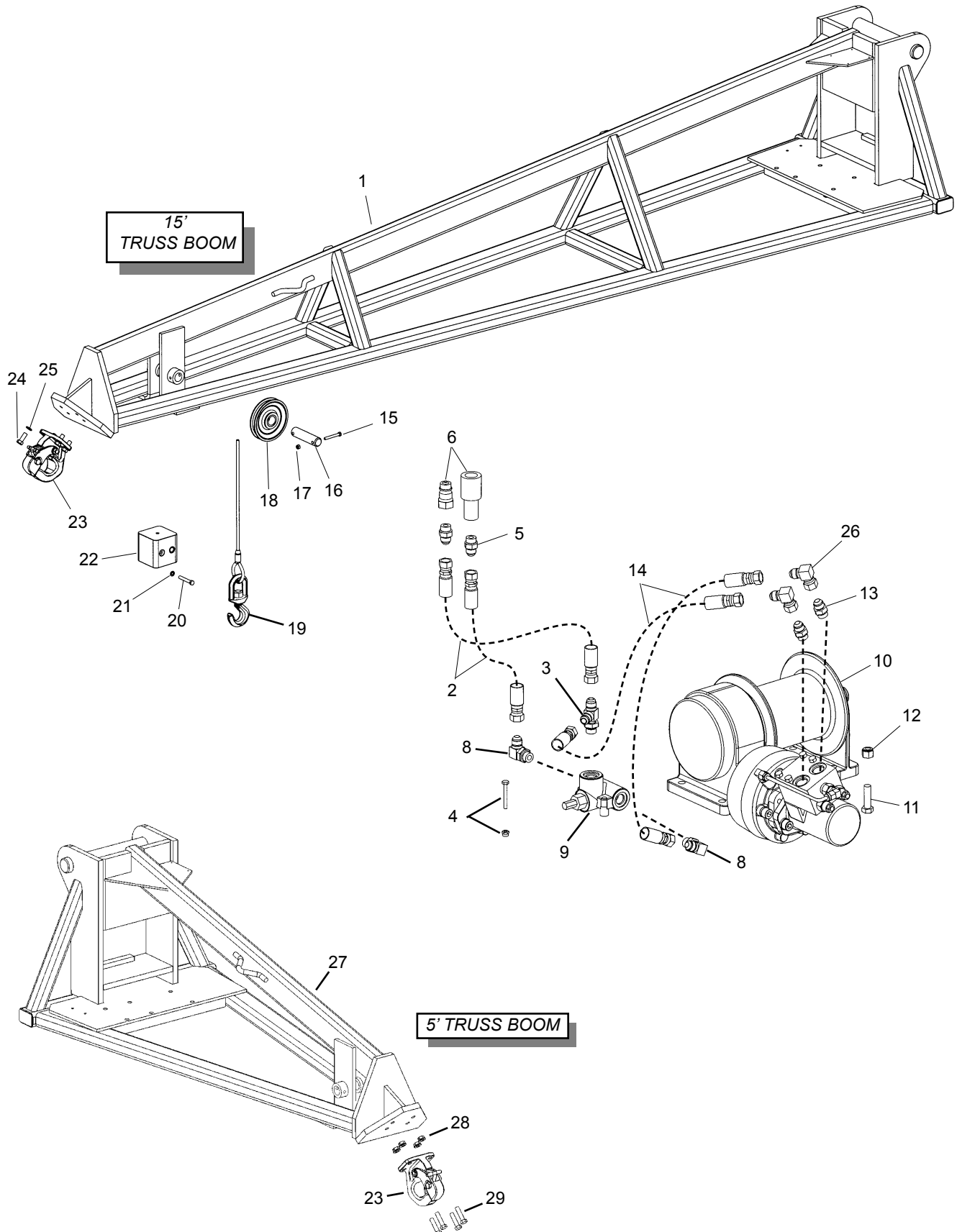
Ref. No.	Part No.	Description	Qty. Req.	Ref. No.	Part No.	Description	Qty. Req.
01	50860041	CARRIAGE, 180° SWING . . . . .	1	13	NSS	NUT 1"-8 GR8 . . . . .	4
02	50220297	CARRIAGE WELDMENT . . . . .	1	14	50220296	PLATE, CROSS SUPPORT . . . . .	2
03	50220305	FORK SHAFT BAR . . . . .	1	15	654034	LW 3/4" RZY . . . . .	12
04	L66950	HOSE, -6 A6/A6 59" . . . . .	1	16	NSS	SHCS 3/4" . . . . .	12
05	50380600	ST MJ06-MORB08 (w/orifice) . . . . .	2	17	081374	HN FL SLOC 1/2 CZY . . . . .	1
06	L65273	COUPLER SET . . . . .	1	18	50220306	COLLAR, FORK SHAFT BAR . . . . .	1
07	079026	45 MJ06-MAORB06 . . . . .	1	19	650650	CS 1/2" x 3-1/2" CZY . . . . .	1
08	105182	PILOT CHECK VALVE . . . . .	2	20	NSS	CS 1"-8 x 6-1/2" GR8 . . . . .	4
	105190	SEAL KIT . . . . .	AR	21	091039	90 MJ06-FJS06 . . . . .	1
09	NSS	SHCS 7/8" . . . . .	12	22	054994	ST MJ06-MORB06 . . . . .	1
10	650652	LW 7/8 RZY . . . . .	12	23	50380646	HOSE, -6 AS/DL6 64" . . . . .	1
11	50220290	DYNATTACH ATTACHMENT . . . . .	1	24	50220307	ACTUATOR . . . . .	1
12	NSS	LW 1" GR8 . . . . .	4				



# Telescopic Handler

# Attachments Log/Pipe Carriage

Ref. No.	Part No.	Description	Qty. Req.	Ref. No.	Part No.	Description	Qty. Req.
01	L67347	LOG GRAPPLE WELDMENT . . . . .	1	15	L67248	LOG GRAPPLE CYLINDER . . . . .	1
02	L50371	3/8"X2-1/2" BOLT . . . . .	2		L98922	SEAL KIT . . . . .	1
03	L520005	3/8"-16 NYLON INSERT NUT . . . . .	6	16	L50561	5/16"-18X1-3/4" BOLT . . . . .	2
04	L67246	LOG GRAPPLE PIVOT PIN . . . . .	2	17	L66831	HOSE, -6 A6/A6 52" . . . . .	2
05	L61866	BUSHING . . . . .	2	18	L63143	ADAP., -8ORM -6JICM w/ORF . . . . .	2
06	L10057	1/4-28 GREASE ZERK 90° . . . . .	2	19	L65273	QUICK-COUPLER, SET . . . . .	1
07	L520003	1/4" NYLON INSERT NUT . . . . .	2	21	654024	5/16" LOCKWASHER . . . . .	2
08	L66811	GRAPPLE CYLINDER PIN . . . . .	2	22	054994	ADAP., -6ORM -6JICM . . . . .	2
09	L63593	BUSHING . . . . .	2	23	L71651	VALVE, DOUBLE PORT CHECK . . . . .	1
10	L50452	1/4X2-1/4" BOLT . . . . .	2	24	L500220	LOG CARRIAGE WELDMENT . . . . .	1
11	068938	ADAP., -6ORM -6JICM 90° . . . . .	4	25	650818	3/8"-16X3" BOLT . . . . .	4
12	L67495	CYLINDER COVER . . . . .	1	26	L66809	LOG FORK SHAFT . . . . .	2
13	L67598	HOSE, -4 A6/A6 32" . . . . .	1	27		LOG FORK WELDMENT . . . . .	2
14	L67599	HOSE, -4 A6/A6 20" . . . . .	1		L66805	2"x5"x48"	
					100547	2"x5"x60"	



# Telescopic Handler

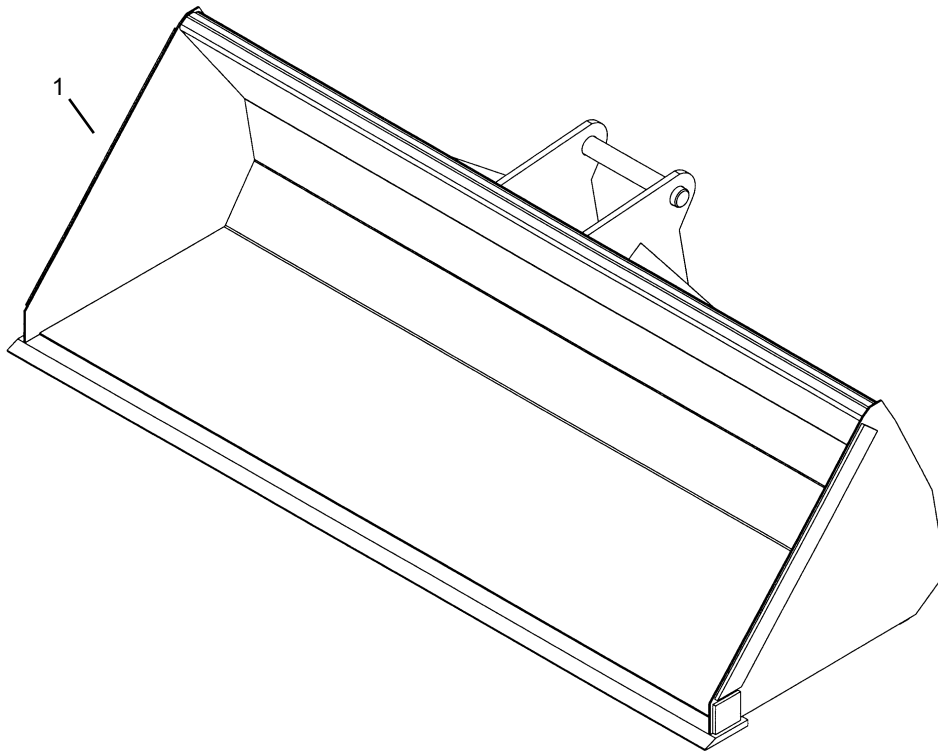
# Attachments

## Truss Booms and Winch

Ref. No.	Part No.	Description	Qty. Req.	Ref. No.	Part No.	Description	Qty. Req.
01	L99235	15' TRUSS WELDMENT . . . . .	1	21	654026	3/8" LOCK WASHER . . . . .	2
02	L64294	HOSE, -8 A8/A8 53" . . . . .	2	22	L60451	WINCH BALL . . . . .	1
03	114742	ADAP., -8ORM -8JICM RUN TEE . . . . .	1	23	L61411	PINTLE HOOK . . . . .	1
04	L50841	1/4-20"X2" BOLT . . . . .	2	24	L50380	1/2"-20X1-1/4" GR 8 BOLT . . . . .	4
	L520003	1/4"-20 NYLON INSERT NUT . . . . .	2	25	654030	1/2" LOCK WASHER . . . . .	4
05	054626	ADAP., -8ORM -8JICM STR . . . . .	2	26 <sup>c</sup>	088442	ADAP., -8JICFS -8JICM 90° . . . . .	2
06	L65273	QUICK-COUPLER SET . . . . .	1	27	430497	5' TRUSS W/PINTLE HOOK . . . . .	1
08	054816	ADAP., -8ORM -8JICM 90° . . . . .	2			<i>(includes items 23, 30, and 31)</i>	
09	L82358	RELIEF VALVE . . . . .	1	28	651358	CS 1/2" x 2" GR8Z . . . . .	4
10	100963	HYDRAULIC WINCH . . . . .	1	29	210-19532	HN FL CLOC 1/2" CZY . . . . .	4
11	L50286	1/2"-13X1-3/4" GR 8 BOLT . . . . .	6				
12	L520019	1/2-13 NYLON INSERT NUT . . . . .	6				
13	089099	ADAP., -10ORM -8JICM . . . . .	2				
14	L400398	HOSE, -6 A8/A8 18.5" . . . . .	2	--	L500223	PLATE, AUGER ADAPTER . . . . .	1
15	650733	5/16"X2-1/2" BOLT . . . . .	2			<i>(used with auger)</i>	
16	100076	PIN, TRUSS WINCH . . . . .	1				
17	L520004	5/16"-18 NYLON INSERT NUT . . . . .	2				
18	L65338	WINCH SHEAVE . . . . .	1	a		<i>Used with 15' truss booms with winch.</i>	
19 <sup>a</sup>	L71266	3/8"X100' WINCH CABLE . . . . .	1	b		<i>Used with 5' truss booms with winch.</i>	
		<i>(includes hook and swivel)</i>		c		<i>Not used on all attachments.</i>	
19 <sup>b</sup>	L66946	3/8"X60' WINCH CABLE . . . . .	1				
		<i>(includes hook and swivel)</i>					
20	L50371	3/8"X2-1/2" BOLT . . . . .	2				

**-- ITEMS NOT SHOWN--**

- L500223 PLATE, AUGER ADAPTER . . . . . 1  
*(used with auger)*
- a *Used with 15' truss booms with winch.*
- b *Used with 5' truss booms with winch.*
- c *Not used on all attachments.*



<b>Ref. No.</b>	<b>Part No.</b>	<b>Description</b>	<b>Qty. Req.</b>
01	L500374	1.3 CU. YD. BUCKET WELDMNT . 1	
	L68831	CUTTING EDGE 98" ( <i>weld-on</i> ) . . . 1	



### GENERAL INFORMATION



**ALWAYS** read and follow the safety precautions on decals. Replace decals if they are damaged, or if the unit is repainted. If repainting, **BE SURE** that all applicable decals are affixed in their proper locations.

Decal locations information is provided to assist in the proper selection and application of new decals, in the event the original decals become damaged or the machine is repainted.

For correct replacement of decals, compare the location illustrations to your machine before starting to refinish the unit. Check off each required decal using the illustration reference number to find the part number, description and quantity in the list. Refer to the appropriate illustrations for replacement locations.



***If there is a decal on a part that is to be replaced, be sure to order and affix the decal to the replacement part.***

### NEW DECAL APPLICATION

Before applying the new decals, surfaces must be free from dirt, dust, grease and other foreign material. To apply a solid-formed decal, remove the smaller portion of the decal backing paper and apply this part of the exposed adhesive backing to the clean surface while maintaining proper position and alignment. Slowly peel off the other portion of the backing paper while applying hand pressure to smooth out decal surface. To apply a masked decal, first remove the backing paper. Then, properly orient and position the decal onto the clean mounting surface. After the decal is firmly applied and smoothly pressed down, remove the front covering paper.

### PAINT FINISH

Use this list to order paint for refinishing:

167788	One Gallon Yellow
167789	6 (12 oz. Spray Cans) Yellow
167754	One Gallon Gun-Metal Gray
167755	6 (12 oz. Spray Cans) Gun-Metal Gray

### Decal Kits

50220194	RS6-42 Telescopic Handler without PWP
50220195	RS6-42 Telescopic Handler with PWP
50220196	RS8-42 Telescopic Handler without PWP
50220197	RS8-42 Telescopic Handler with PWP
50220198	RS8-44 Telescopic Handler without PWP
50220199	RS8-44 Telescopic Handler with PWP
50220200	RS10-44 Telescopic Handler without PWP
50220201	RS10-44 Telescopic Handler with PWP
50220202	RS10-55 Telescopic Handler without PWP
50220203	RS10-55 Telescopic Handler with PWP
50220204	RS12-42 Telescopic Handler without PWP
50220205	RS12-42 Telescopic Handler with PWP

**NOTE:** Decals may be purchased in kits or individually.

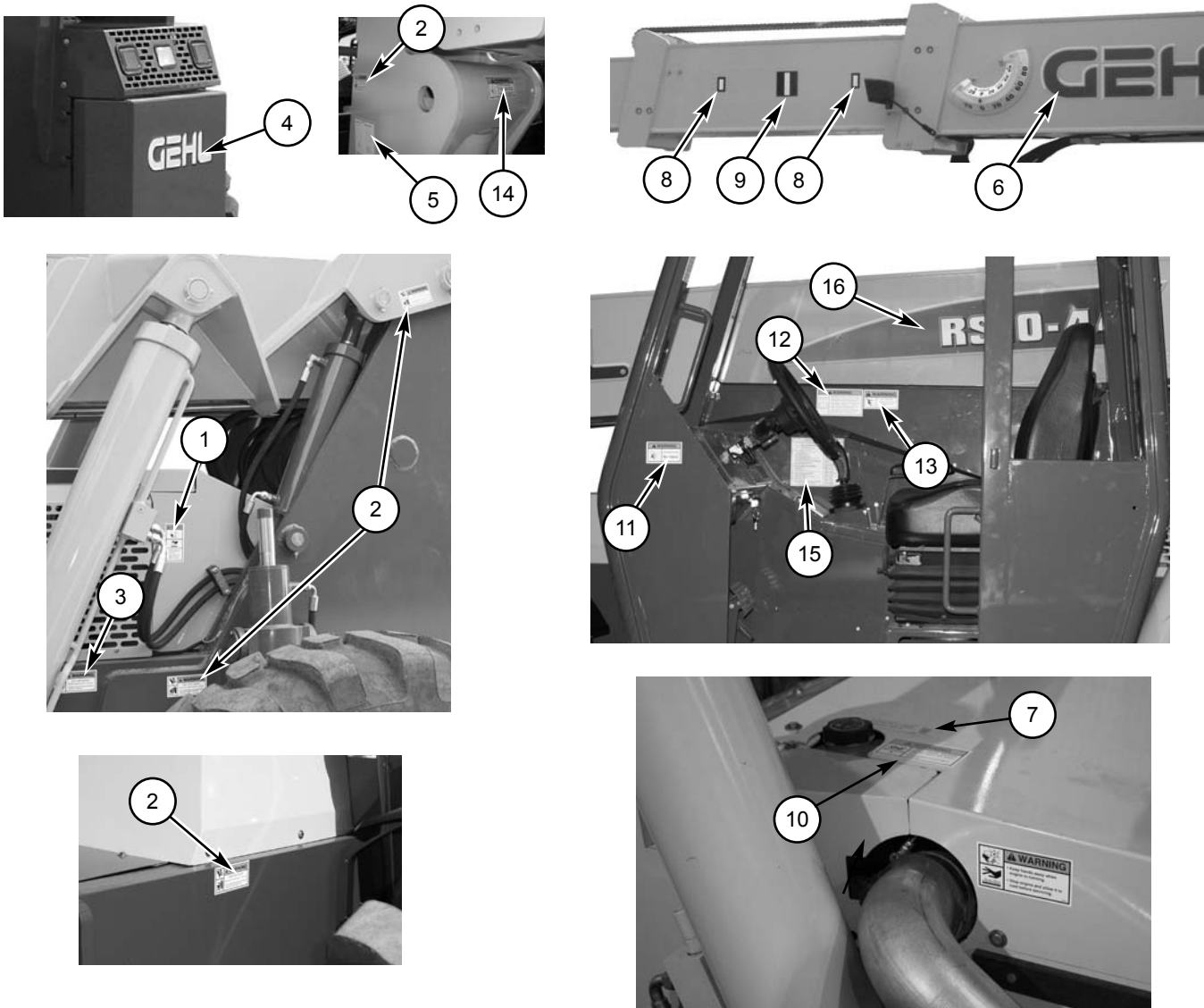
### Boom Attachment Decals

L65927	WARNING - PINCH POINT
L65348	WARNING - WINCH
L66042	WARNING - TRUSS BOOM TILT

# Decals

## Various Locations

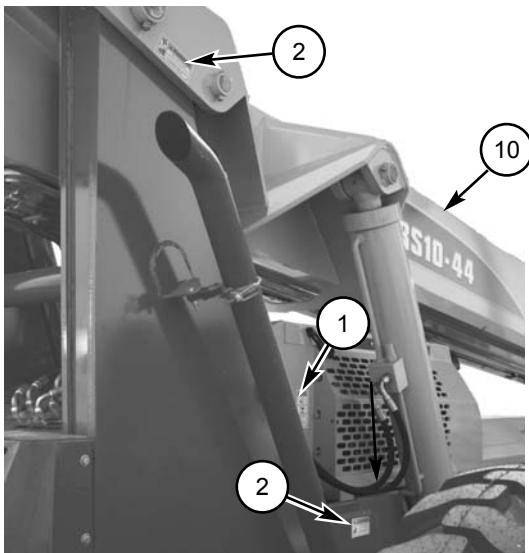
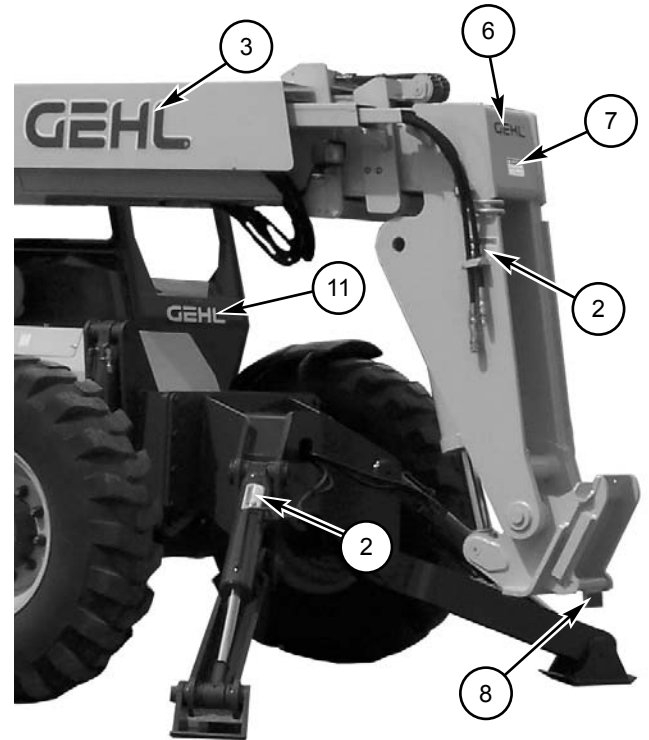
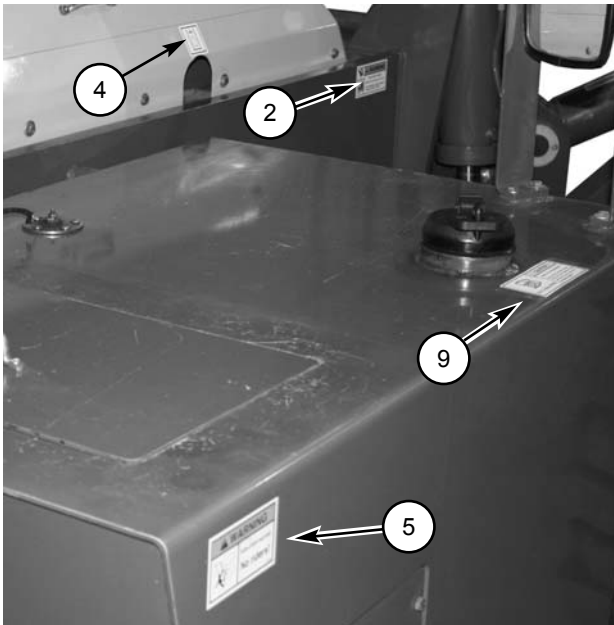
# RS Series



Ref. No.	Part No.	Description	Qty. Req.	Ref. No.	Part No.	Description	Qty. Req.
01	L70305	DANGER; HANDS OUT . . . . .	AR	11	L65932	WARNING; NO RIDERS . . . . .	1
02	L65927	WARNING; PINCH POINT . . . . .	AR	12	100359	WARNING; OPERATOR'S MAN. . . . .	1
03	L65933	WARNING; JUMP-START . . . . .	AR	13	L65928	DANGER; PERSONAL INJURY . . . . .	1
04	102027	GEHL, 5.00" . . . . .	AR			<i>(units without PWP)</i>	
05	L65937	QUICK-ATTACH DIAGRAM . . . . .	1	14	L65926	WARNING; CARRY LOAD LOW . . . . .	1
06	102025	GEHL, 8.00" . . . . .	AR	15	50380361	MAINTENANCE CHART . . . . .	1
07	056859	ANTI-FREEZE . . . . .	1	16		MODEL DESIGNATION DECAL	
08	L62583	HALF-ZONE MARKER (5 pieces) . . . . .	1		102802	RS6-42, LEFT SIDE . . . . .	1
09		EXTENSION MARKERS			102916	RS8-42, LEFT SIDE . . . . .	1
	L67719	NO. "1" EXTENSION MARKER . . . . .	1		102804	RS8-44, LEFT SIDE . . . . .	1
	L67720	NO. "2" EXTENSION MARKER . . . . .	1		210520	RS10-44, LEFT SIDE . . . . .	1
	L67721	NO. "3" EXTENSION MARKER . . . . .	1		210775	RS10-55, LEFT SIDE . . . . .	1
	L67722	NO. "4" EXTENSION MARKER . . . . .	1		210803	RS12-42, LEFT SIDE . . . . .	1
	L67723	NO. "5" EXTENSION MARKER . . . . .	1				
10	072798	COOLANT UNDER PRESSURE . . . . .	1				

# Telescopic Handler

# Decals Various Locations



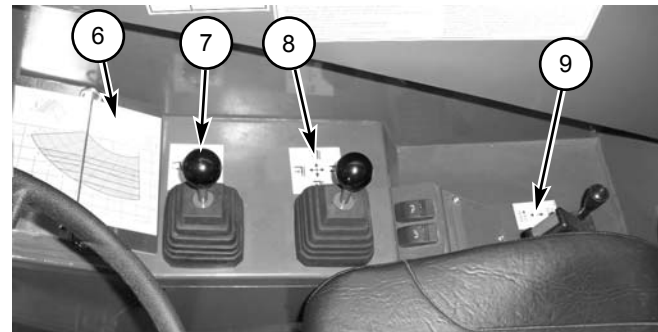
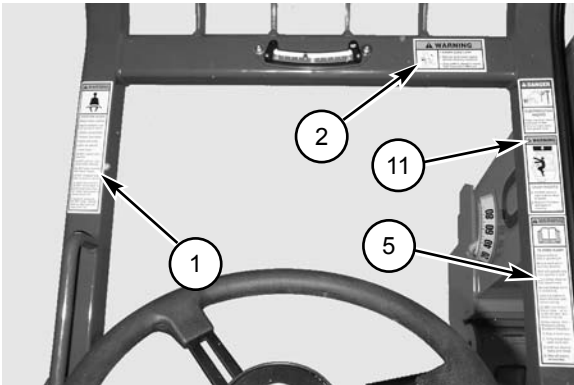
Ref. No.	Part No.	Description	Qty. Req.
01	L70305	DANGER; HANDS OUT . . . . .	AR
02	L65927	WARNING; PINCH POINT . . . . .	AR
03	102025	GEHL, 8.00" . . . . .	AR
04	137632	HYDRAULIC OIL FILL . . . . .	1
05	L65932	WARNING; NO RIDERS . . . . .	1
06	102026	GEHL, 2.00" . . . . .	1
07	L65928	DANGER; PERSONAL INJURY . . .	1
		<i>(units without PWP)</i>	
08	L66613	QUICK-ATTACH UNLOCKED . . . . .	1
09	50301416	DIESEL FUEL (ULSD). . . . .	1

Ref. No.	Part No.	Description	Qty. Req.
10		MODEL DESIGNATION DECAL	
	102803	RS6-42, RIGHT SIDE . . . . .	1
	102917	RS8-42, RIGHT SIDE . . . . .	1
	102805	RS8-44, RIGHT SIDE . . . . .	1
	210521	RS10-44, RIGHT SIDE . . . . .	1
	210773	RS10-55, RIGHT SIDE . . . . .	1
	210802	RS12-42, RIGHT SIDE . . . . .	1
11	184043	GEHL, 3.75" . . . . .	1

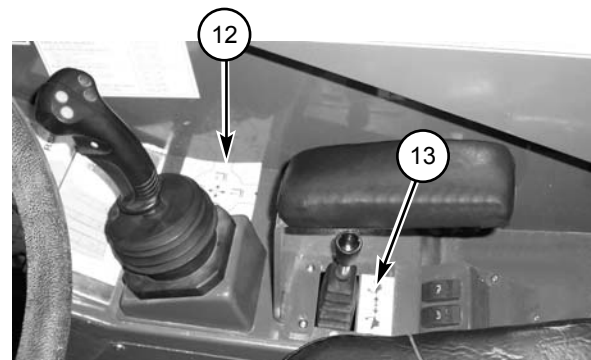
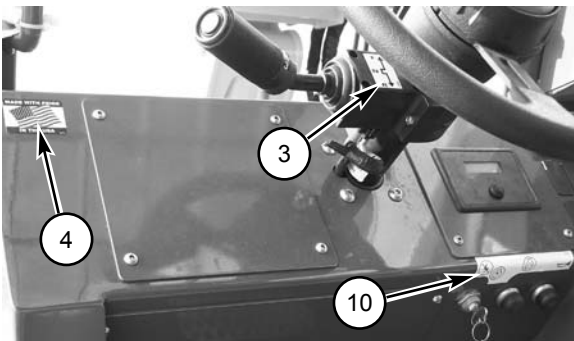
# Decals

## Various Locations

# RS Series



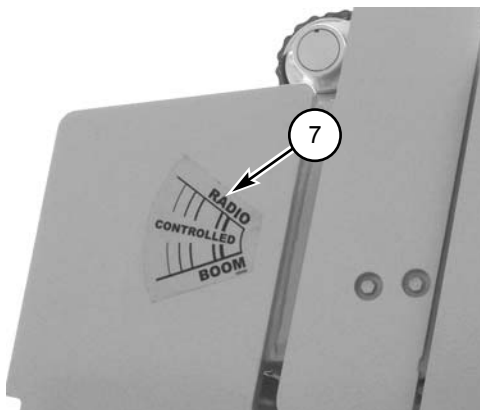
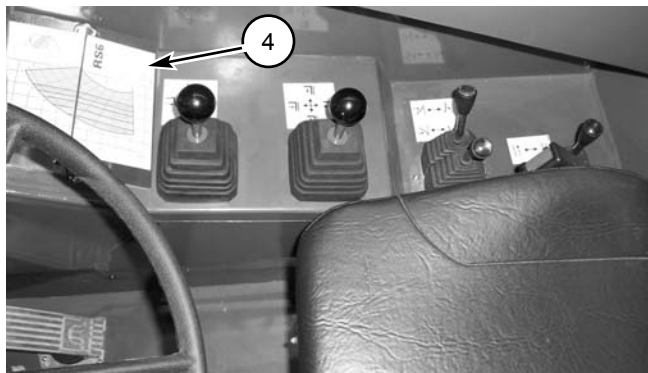
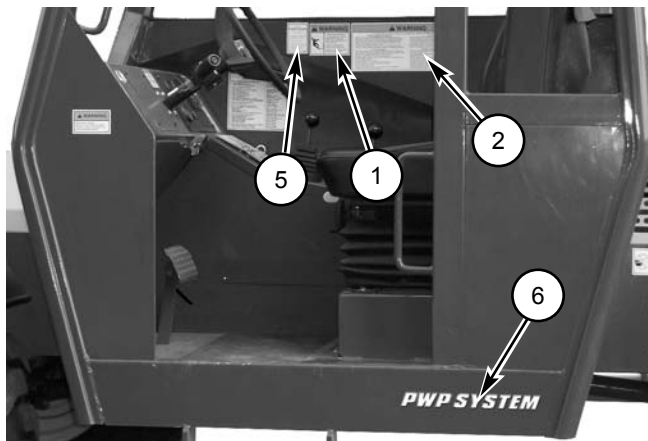
**Dual Joystick Control**



**Tri-function Joystick Control**

Ref. No.	Part No.	Description	Qty. Req.
01	L70306	WARNING; TILT HAZARD/GEN. . . AR	
02	L65926	WARNING; CARRY LOAD LOW . . AR	
03	L68295	F-N-R SHIFT . . . . . 1	
04	140516	MADE IN U.S.A. . . . . 1	
05	101506	WARNING; PARK BRAKE/SEAT . . 1	
06	<i>Note a</i>	LOAD ZONE CHARTS . . . . . AR	
07 <sup>b</sup>	L63632	ATTACHMENT TILT/FRAME LVL. . . 1	
08 <sup>b</sup>	L63631	BOOM CONTROL . . . . . 1	
09 <sup>b</sup>	102718	AUX. HYD. CONTROL OPTION . . . 1	
10	102717	IGNITION/START/HORN . . . . . 1	
11	L70307	DANGER; HIGH VOLTAGE/ MOVING PARTS . . . . . 1	

Ref. No.	Part No.	Description	Qty. Req.
12 <sup>c</sup>	104215	JOYSTICK CONTROL . . . . . 1	
13 <sup>c</sup>	L63311	FRAME LEVEL . . . . . 1	
<i>a</i>	<i>To order load charts, please refer to the Load Zone Charts section in the Operator's Manual (913328).</i>		
<i>b</i>	<i>Used exclusively on machines equipped with the dual-control joystick option (two joysticks).</i>		
<i>c</i>	<i>Used exclusively on machines equipped with the tri-function joystick option (one joystick).</i>		



### DECAL LOCATIONS - PWP EQUIPPED UNITS

Ref. No.	Part No.	Description	Qty. Req.	Ref. No.	Part No.	Description	Qty. Req.
01	L71554	WARNING; PERSONNEL LIFT . . . AR		06	103028	PWP SYSTEM. . . . .	1
02	L71555	WARNING; PLATFORM RULES . AR		07	103453	RADIO CONTROL. . . . .	1
03	L71700	RULES, PERSONNEL LIFT. . . . . AR				<i>(Only for units with remote boom control, not included in the decal kit.)</i>	
04	210597	PWP LOAD CHART . . . . .	1				
05	102969	PWP SWITCH DECAL . . . . .	1				

# Numerical Index

# RS Series

Part No.	Page No.	Ref. No.	Part No.	Page No.	Ref. No.	Part No.	Page No.	Ref. No.	Part No.	Page No.	Ref. No.
054626	201	05	077965	207	19	101055	181	01	102313	211	09
054626	205	03	079026	213	25	101212	169	28	102313	213	09
054816	195	06	079026	217	07	101212	177	28	102321	215	20
054816	199	07	079026	289	07	101278	19	14	102321	217	23
054816	201	23	079029	75	20	101351	181	13	102321	225	10
054816	293	08	079038	51	26	101436	17	22	102321	227	14
054816	55	05	079209	281	07	101463	49	27	102335	152	01
054819	77	23	079209	282	04	101495	13	24	102335	183	12
054994	203	20	079209	47	—	101506	298	05	102356	207	28
054994	221	03	079769	67	03	101550	09	21	102356	265	00
054994	223	03	080313	250	05	101550	09	24	102371	181	15
054994	225	03	080319	249	05	101567	49	02	102408	58	01
054994	231	03	080319	251	05	101624	280	02	102420	267	01
054994	281	09	080319	252	06	101624	285	26	102423	45	12
054994	289	22	080319	253	04	101625	280	02	102434	209	02
054994	291	22	081374	289	17	101625	285	26	102434	221	02
055005	183	06	081379	49	21	101667	43	05	102434	223	02
055005	185	01	084175	69	24	101712	23	04	102434	225	02
055005	197	12	087850	75	21	101717	13	11	102434	227	02
055005	203	08	088442	125	12	101719	17	19	102434	229	02
055005	207	08	088442	127	10	101727	11	13	102434	231	02
056089	197	11	088442	293	26	101746	17	32	102434	273	00
056089	207	09	089001	71	28	101792	17	20	102435	209	01
056859	296	07	089069	19	17	101877	20	13	102435	211	02
058610	195	11	089070	19	17	101877	21	02	102445	195	03
058610	207	13	089099	293	13	101877	33	10	102491	09	28
061946	71	22	089888	31	03	101879	51	24	102498	203	05
061946	75	07	090666	121	05	101880	205	01	102498	254	01
062023	71	17	090666	123	05	101880	256	01	102516	183	25
065415	187	24	090666	27	22	101880	33	09	102516	185	12
065415	189	16	090666	29	09	101954	49	22	102517	183	24
067761	187	25	090666	51	31	101960	49	23	102517	185	13
067761	189	15	090666	71	12	101961	49	22	102529	39	08
067823	63	16	090666	75	10	101962	49	22	102540	183	15
067847	17	14	091039	125	01	101963	49	23	102541	183	07
067847	71	08	091039	127	03	101999	285	18	102543	183	01
068938	203	22	091039	211	21	102025	296	06	102543	243	00
068938	223	06	091039	213	24	102025	297	03	102544	183	01
068938	227	06	091039	215	07	102026	297	06	102544	243	00
068938	231	06	091039	217	25	102027	296	04	102566	53	08
068938	235	05	091039	223	05	102122	121	23	102569	121	08
068938	237	05	091039	227	05	102123	121	23	102569	123	08
070648	31	13	091039	231	05	102173	07	01	102570	121	08
071043	63	30	091039	289	21	102211	77	30	102570	123	08
072580	187	23	095601	205	02	102212	77	28	102572	20	—
072580	189	17	095601	205	19	102245	159	01	102572	23	00
072580	197	06	095955	29	03	102245	159	02	102573	129	03
072587	203	25	100011	125	11	102245	161	01	102575	129	06
072587	77	03	100011	127	09	102245	161	02	102575	133	25
072602	195	12	100071	35	10	102246	159	01	102576	129	07
072602	207	14	100076	293	16	102246	159	02	102576	133	24
072798	296	10	100102	23	10	102246	161	01	102577	129	10
072806	125	02	100118	181	15	102246	161	02	102578	129	11
072806	221	04	100119	177	16	102247	201	04	102579	131	03
072806	223	04	100119	179	01	102247	239	00	102580	131	03
072806	225	04	100359	296	12	102262	71	25	102581	133	02
072806	231	04	100369	280	03	102282	154	01	102581	143	02
072806	287	20	100369	281	15	102282	157	01	102581	147	02
072916	63	25	100369	285	24	102283	163	12	102582	133	03
075235	77	04	100547	291	27	102283	179	01	102582	133	03
076002	170	13	100631	287	19	102285	154	01	102583	133	50
076589	71	10	100963	293	10	102285	157	01	102583	143	57
076589	75	09	100990	285	27	102286	163	12	102583	147	57
076880	125	07	101003	285	16	102286	179	01	102584	133	04
076880	127	08	101028	169	05	102313	203	19	102584	133	04

# Telescopic Handler

# Numerical Index

Part No.	Page No.	Ref. No.	Part No.	Page No.	Ref. No.	Part No.	Page No.	Ref. No.	Part No.	Page No.	Ref. No.
102586	133	11	102621	148	21	102778	09	20	102877	262	01
102586	133	11	102622	135	06	102779	123	15	102878	238	11
102587	121	07	102622	137	02	102779	43	01	102878	262	02
102587	123	07	102622	148	04	102781	123	09	102880	09	09
102587	133	51	102623	135	07	102781	43	04	102881	09	13
102587	143	58	102624	135	09	102783	33	05	102883	43	07
102587	147	58	102624	137	16	102784	209	03	102886	17	21
102588	133	12	102625	135	10	102784	221	01	102889	243	04
102588	143	15	102626	135	11	102786	203	24	102890	243	08
102588	147	15	102626	137	15	102786	211	04	102897	136	02
102589	133	13	102627	135	12	102786	235	06	102897	137	09
102589	143	23	102627	136	05	102786	235	09	102897	149	07
102589	147	23	102628	135	13	102786	237	06	102898	137	18
102590	133	18	102628	149	09	102786	237	15	102899	133	53
102590	143	19	102629	135	16	102786	237	19	102900	133	37
102590	147	19	102629	137	11	102802	296	16	102901	17	12
102591	133	19	102630	135	17	102803	297	10	102907	24	01
102591	143	25	102631	135	18	102804	296	16	102907	29	16
102591	147	25	102631	148	17	102805	297	10	102913	13	07
102592	133	20	102632	135	19	102807	191	18	102916	296	16
102593	133	21	102632	136	03	102807	193	27	102917	297	10
102593	143	24	102632	137	08	102807	265	25	102925	13	00
102593	147	24	102632	148	18	102807	267	00	102928	17	15
102594	133	22	102632	149	06	102814	55	07	102944	24	03
102595	133	23	102633	135	20	102831	209	07	102945	24	04
102595	143	14	102633	148	26	102835	203	10	102946	203	21
102595	147	14	102634	135	21	102835	205	06	102946	225	13
102598	133	26	102634	148	25	102836	203	12	102946	227	17
102599	133	27	102635	135	24	102836	205	24	102946	229	10
102600	133	28	102636	135	24	102837	205	09	102946	231	17
102601	133	29	102637	135	24	102839	125	04	102946	235	11
102601	143	51	102642	137	07	102839	203	23	102946	237	10
102601	147	51	102644	137	01	102840	127	01	102946	51	38
102602	133	30	102647	23	00	102840	41	12	102948	17	20
102603	133	31	102654	77	01	102842	125	03	102949	81	10
102603	143	49	102655	59	—	102842	41	07	102950	117	01
102603	147	49	102657	09	21	102843	221	06	102950	97	01
102604	133	32	102674	271	04	102843	221	30	102951	117	02
102604	133	32	102680	17	03	102844	209	06	102951	97	02
102605	133	33	102681	17	04	102844	211	15	102952	117	03
102606	133	34	102682	11	12	102844	211	17	102952	97	03
102607	133	35	102683	09	03	102845	209	05	102952	97	08
102608	133	40	102684	09	12	102845	211	08	102953	117	04
102608	143	36	102684	11	09	102845	211	12	102953	97	04
102608	147	36	102685	15	07	102846	205	07	102954	117	05
102609	133	41	102686	15	01	102847	125	09	102954	97	05
102610	133	43	102692	09	24	102847	205	08	102954	97	09
102610	143	20	102705	17	02	102848	125	08	102955	97	06
102610	147	20	102706	11	11	102848	205	15	102956	97	07
102611	133	43	102707	09	02	102849	207	20	102957	117	06
102611	143	20	102708	09	16	102849	75	19	102957	97	10
102611	147	20	102708	11	10	102858	201	06	102959	97	12
102612	133	43	102709	15	06	102858	201	11	102968	61	12
102612	143	20	102710	152	04	102860	199	08	102969	299	05
102612	147	20	102711	15	03	102860	201	27	103011	239	01
102614	133	45	102712	15	10	102863	131	22	103013	13	00
102615	133	46	102717	298	10	102873	199	08	103014	17	00
102615	143	04	102718	191	—	102873	199	09	103017	259	02
102616	133	48	102718	193	—	102873	201	01	103018	254	02
102617	135	01	102718	298	09	102873	201	27	103028	299	06
102618	135	02	102727	09	18	102873	207	03	103033	24	11
102619	135	03	102728	09	17	102874	17	01	103046	265	12
102620	135	04	102741	43	03	102876	199	01	103046	265	15
102621	135	05	102742	07	01	102876	238	00	103047	265	17
102621	137	19	102774	201	24	102877	201	29	103048	265	10

# Numerical Index

# RS Series

Part No.	Page No.	Ref. No.	Part No.	Page No.	Ref. No.	Part No.	Page No.	Ref. No.	Part No.	Page No.	Ref. No.
103049	265	04	103194	211	19	104114	63	—	105059	67	16
103050	265	03	103195	35	13	104132	203	09	105065	67	06
103051	265	02	103221	20	04	104132	205	22	105070	07	08
103052	265	07	103221	20	05	104132	258	00	105070	67	11
103052	265	11	103221	20	06	104133	258	01	105071	07	07
103052	265	16	103318	211	06	104214	37	06	105071	67	10
103052	265	21	103318	213	06	104215	298	12	105073	67	01
103052	267	04	103318	215	06	104216	211	—	105075	67	07
103053	265	06	103318	217	06	104216	213	—	105087	259	11
103053	265	09	103318	233	11	104216	215	—	105165	191	18
103053	265	14	103318	235	14	104216	217	—	105165	193	27
103053	265	19	103318	237	20	104219	37	08	105175	75	05
103053	267	02	103359	33	01	104220	213	21	105182	289	08
103054	265	01	103391	148	27	104220	217	21	105190	289	08
103055	265	05	103402	131	11	104221	213	20	105202	121	04
103056	265	08	103413	219	08	104221	217	20	105202	123	04
103057	265	13	103413	263	01	104222	45	06	105211	69	28
103058	265	18	103424	61	—	104223	277	09	105227	157	06
103059	265	25	103453	299	07	104225	47	10	105229	179	04
103061	265	23	103475	60	07	104304	277	12	105230	153	05
103062	265	26	103475	61	10	104304	37	02	105230	167	05
103068	265	24	103476	60	06	104341	63	—	105236	33	07
103077	275	01	103476	61	11	104431	129	18	105287	39	26
103078	275	03	103479	61	01	104452	75	06	105763	75	04
103079	271	08	103480	61	08	104454	63	10	105818	07	04
103079	273	07	103482	61	02	104455	73	07	105960	21	08
103079	275	04	103505	219	03	104485	129	01	106001	21	07
103080	271	09	103505	229	09	104485	133	44	106002	139	02
103080	273	08	103505	231	20	104504	133	36	106003	139	03
103080	275	05	103505	237	09	104504	143	46	106005	139	09
103083	275	06	103508	263	02	104504	147	46	106006	139	10
103084	275	02	103509	263	04	104517	143	33	106006	143	53
103086	267	03	103510	263	03	104517	147	33	106006	148	02
103087	267	06	103511	263	02	104518	129	04	106007	141	01
103099	20	01	103512	263	04	104518	139	05	106007	145	01
103099	20	03	103517	285	01	104546	133	47	106008	141	02
103099	60	—	103518	285	01	104546	143	64	106008	145	02
103099	61	—	103519	285	01	104546	147	64	106009	141	03
103100	20	07	103520	285	01	104568	139	06	106009	145	03
103100	20	08	103582	37	04	104568	143	31	106010	141	04
103100	20	09	103627	49	38	104568	147	31	106010	145	04
103100	20	10	103674	09	03	104569	139	07	106010	141	04
103101	23	00	103708	37	11	104569	143	30	106011	141	04
103112	271	02	103744	61	—	104569	147	30	106011	145	04
103112	273	02	103788	129	17	104655	135	22	106012	141	04
103113	271	03	103892	49	05	104655	136	11	106012	145	04
103113	273	03	103991	49	19	104655	137	04	106013	141	04
103114	271	05	104064	57	—	104655	137	04	106013	145	04
103114	273	04	104078	57	03	104655	148	05	106015	141	06
103115	271	06	104083	211	01	104655	149	14	106015	145	06
103115	273	05	104083	213	01	104657	148	09	106016	141	31
103116	271	07	104083	215	01	104658	148	10	106016	145	31
103116	273	06	104083	217	01	104675	61	04	106016	145	31
103117	271	10	104083	233	01	104675	61	04	106017	141	31
103117	273	09	104083	235	01	104688	09	00	106017	145	31
103118	129	19	104083	237	01	104736	260	06	106018	141	31
103122	271	01	104083	277	00	104736	263	08	106018	145	31
103122	273	01	104083	37	01	104736	269	07	106019	141	31
103151	262	04	104092	203	07	104769	20	02	106019	145	31
103152	262	05	104092	51	29	104820	238	11	106020	141	31
103179	13	00	104092	55	01	104820	262	02	106020	145	31
103180	13	00	104111	41	08	104844	280	02	106023	141	10
103188	09	29	104111	41	09	104846	11	15	106023	145	10
103192	23	00	104111	77	18	104870	280	01	106024	141	11
103194	209	08	104114	49	34	104885	75	12	106024	145	11
						104973	11	20	106025	141	12
						104974	11	19	106025	145	12



# Telescopic Handler

# Numerical Index

Part No.	Page No.	Ref. No.	Part No.	Page No.	Ref. No.	Part No.	Page No.	Ref. No.	Part No.	Page No.	Ref. No.
106026	141	13	106097	136	13	106200	106	06	106961	252	02
106026	145	13	106097	149	18	106201	106	08	106962	252	08
106027	141	16	106102	141	09	106202	106	09	106965	61	05
106028	141	17	106102	145	09	106203	106	10	107000	257	04
106029	141	17	106103	147	01	106206	107	03	107001	39	30
106030	141	17	106104	147	13	106207	107	04	110227	49	32
106031	141	18	106105	143	37	106209	107	13	114742	203	11
106032	141	19	106105	147	37	106210	107	14	114742	205	18
106033	141	20	106106	143	38	106212	107	16	114742	293	03
106034	141	21	106106	147	38	106213	106	11	114824	201	22
106034	145	19	106107	143	40	106216	107	22	121552	249	04
106035	141	22	106107	147	40	106217	107	24	121565	252	03
106035	145	20	106108	143	41	106220	108	09	121684	207	02
106036	141	23	106108	147	41	106221	111	01	121773	75	16
106036	145	21	106109	147	43	106223	111	07	121774	203	06
106037	141	24	106110	143	62	106223	113	08	121774	55	02
106038	141	25	106110	147	62	106223	115	06	121775	201	03
106039	141	26	106111	143	63	106224	111	13	121775	207	05
106043	143	21	106111	147	63	106224	113	14	126862	55	06
106043	147	21	106112	147	66	106224	115	13	127349	75	15
106045	143	34	106113	143	67	106225	111	17	129124	205	21
106045	147	34	106113	147	67	106226	111	19	129124	219	04
106046	143	35	106114	143	68	106227	111	20	131529	49	31
106046	147	35	106114	147	68	106228	113	01	131529	51	21
106049	143	39	106115	139	08	106230	113	18	131951	69	10
106049	147	39	106116	141	05	106231	113	20	134756	51	23
106053	143	43	106117	143	01	106232	113	22	136305	24	07
106054	147	47	106118	143	06	106233	113	24	136305	25	12
106055	143	48	106119	143	13	106234	113	25	136310	24	13
106055	147	48	106120	143	32	106235	113	26	137220	243	06
106056	147	52	106121	143	47	106235	115	22	137220	247	04
106061	148	01	106122	143	52	106236	113	27	137221	246	08
106062	148	03	106123	148	20	106237	109	01	137221	248	06
106063	148	11	106124	139	24	106238	109	03	137503	24	16
106064	148	14	106163	100	01	106239	109	04	137503	25	05
106064	149	10	106164	100	02	106239	116	03	137542	191	16
106065	148	15	106171	100	12	106240	109	05	137542	193	16
106065	149	11	106172	103	01	106242	115	01	137632	297	04
106066	148	16	106175	103	12	106243	115	10	137659	67	13
106066	149	12	106175	81	26	106244	115	18	137784	219	07
106067	148	19	106176	103	15	106245	115	20	138623	25	07
106070	148	23	106176	105	12	106246	115	21	138649	27	18
106071	148	24	106177	103	16	106247	115	26	138651	27	17
106072	148	24	106177	105	14	106248	116	01	138714	27	19
106073	148	24	106180	103	22	106249	116	02	138777	27	03
106074	139	14	106180	116	07	106250	116	08	138778	27	05
106075	139	12	106181	103	28	106251	116	09	138779	27	12
106076	139	11	106182	103	29	106252	116	10	139170	13	16
106077	139	13	106183	105	01	106253	116	11	139279	25	13
106078	139	18	106184	105	04	106254	116	12	140516	298	04
106079	139	22	106185	105	05	106255	116	13	167754	295	00
106080	139	21	106186	105	06	106256	117	07	167755	295	00
106081	139	23	106187	105	07	106259	145	05	167788	295	00
106083	145	16	106188	105	08	106259	97	11	167789	295	00
106084	145	17	106189	105	17	106871	139	11	175720	281	04
106085	145	18	106190	101	01	106878	269	04	175720	282	12
106086	145	22	106190	105	19	106880	269	09	176652	71	14
106087	145	23	106192	101	03	106883	269	06	183629	67	05
106089	147	06	106193	101	05	106898	211	03	184043	297	11
106091	149	01	106194	101	04	106898	213	03	186193	29	10
106092	149	02	106195	111	22	106898	215	03	186703	29	11
106093	149	03	106196	106	02	106898	217	03	187351	195	07
106094	149	04	106197	106	03	106898	260	01	187351	195	08
106095	149	05	106198	106	04	106959	252	02	187351	195	09
106096	149	13	106199	106	05	106960	252	04	187351	195	10

# Numerical Index

# RS Series

Part No.	Page No.	Ref. No.	Part No.	Page No.	Ref. No.	Part No.	Page No.	Ref. No.	Part No.	Page No.	Ref. No.
187351	207	15	210407	280	01	210775	296	16	242875	25	09
187351	207	16	210421	123	14	210777	61	09	244655	260	03
187351	207	22	210421	199	15	210782	49	06	270192	152	—
187351	207	23	210421	201	19	210796	25	01	271276	75	25
187841	24	05	210428	187	07	210796	27	13	271276	77	25
188973	183	20	210428	189	30	210797	21	03	272546	29	04
188973	185	16	210428	191	08	210798	41	10	272546	29	12
188973	207	07	210428	193	25	210799	55	10	272648	20	15
189033	25	14	210428	207	12	210802	297	10	273968	24	06
189049	25	11	210428	207	17	210803	296	16	420-19671	71	24
190-32851	269	04	210428	207	21	210828	41	01	420-35602	31	09
192587	67	08	210428	207	24	210833	31	14	420-36290	25	10
201179	25	18	210429	183	18	210867	61	03	430171	280	01
210018	257	02	210429	185	11	210887	193	01	430173	280	01
210047	63	35	210429	207	06	210888	189	01	430497	293	27
210049	29	01	210429	207	27	210898	281	05	50220010	103	01
210049	63	21	210434	151	01	210901	252	01	50220011	103	27
210093	123	23	210434	153	01	210901	281	08	50220012	101	02
210094	123	23	210435	157	06	210904	281	10	50220013	111	01
210123	151	01	210438	179	04	210905	281	11	50220014	111	14
210123	153	01	210442	23	13	210906	281	13	50220014	113	15
210133	121	01	210442	47	21	210926	281	01	50220014	115	14
210148	71	11	210447	199	13	210927	19	02	50220015	111	17
210152	123	01	210447	201	15	210932	252	01	50220016	115	01
210167	121	25	210449	41	14	210932	282	11	50220017	115	24A
210168	121	21	210450	41	18	210934	282	08	50220018	115	26
210168	201	18	210451	09	19	210960	51	30	50220019	100	01
210170	35	01	210459	153	05	210960	55	10	50220029	145	22
210173	123	11	210460	125	09	211009	27	14	50220030	129	05
210173	199	14	210460	205	08	211010	27	02	50220030	139	01
210-19532	293	29	210479	33	06	211023	25	17	50220030	139	01
210198	123	21	210502	187	06	211035	31	06	50220030	143	69
210198	201	18	210503	187	06	211039	31	02	50220031	141	29
210200	49	35	210504	191	06	211045	31	08	50220031	145	29
210205	49	23	210505	191	06	211052	31	01	50220032	141	29
210213	65	05	210520	296	16	211055	27	20	50220032	145	29
210253	255	01	210521	297	10	211055	29	07	50220033	141	29
210253	39	21	210522	165	01	211145	25	02	50220033	145	29
210253	41	15	210522	166	01	211146	07	12	50220034	141	29
210291	152	13	210522	167	01	211146	25	03	50220034	145	29
210291	166	06	210558	121	11	211147	25	01	50220035	141	29
210292	187	11	210558	199	14	211148	25	06	50220035	145	29
210293	195	14	210572	121	14	211149	25	04	50220036	141	29
210297	191	11	210572	199	15	211149	29	13	50220036	145	29
210317	39	05	210572	201	19	211151	75	02	50220037	141	29
210320	207	28	210583	09	01	211154	75	23	50220037	145	29
210320	265	00	210597	299	04	211161	260	09	50220038	141	29
210327	185	02	210608	39	07	211176	75	13	50220038	145	29
210328	39	13	210609	39	04	211178	69	27	50220039	141	29
210330	189	23	210614	21	05	211241	69	23	50220039	145	29
210330	193	18	210704	20	—	211257	69	05	50220040	141	29
210331	193	21	210716	269	01	211307	75	22	50220040	145	29
210332	189	26	210716	55	16	219274	09	38	50220041	141	28
210335	193	20	210722	49	17	230-20033	77	19	50220041	145	28
210337	189	25	210723	269	25	230208	29	06	50220042	141	28
210348	185	10	210723	53	—	230209	29	12	50220042	145	28
210352	166	03	210723	55	25	230210	29	04	50220043	141	28
210368	47	23	210727	55	13	230-21555	189	02	50220043	145	28
210375	47	24	210736	279	20	230-21555	193	02	50220044	141	28
210385	191	09	210759	169	09	230-32195	41	06	50220044	145	28
210385	207	18	210760	169	08	230-32364	269	03	50220045	141	27
210397	77	01	210761	53	24	230-32364	41	03	50220045	145	27
210403	35	14	210764	45	12	240197	260	04	50220046	141	17
210404	35	16	210765	31	12	240202	260	03	50220048	145	16
210405	35	15	210773	297	10	242145	25	08	50220049	141	16

# Telescopic Handler

# Numerical Index

Part No.	Page No.	Ref. No.	Part No.	Page No.	Ref. No.	Part No.	Page No.	Ref. No.	Part No.	Page No.	Ref. No.
50220050	145	23	50220624	143	01	50380293	71	23	50381128	57	01
50220051	141	26	50220626	60	05	50380293	75	17	50381154	181	19
50220052	145	17	50220627	60	04	50380294	77	15	50381156	51	45
50220053	145	18	50220628	60	03	50380295	77	11	50381157	63	36
50220054	141	21	50220629	60	01	50380300	69	32	50381167	49	40
50220054	145	19	50220630	60	09	50380301	69	33	50381196	181	19
50220055	141	23	50220631	263	09	50380302	69	29	50860041	289	01
50220055	145	21	50220632	263	09	50380303	69	29	570019	169	27
50220056	133	15	50220633	263	09	50380306	19	01	570019	173	11
50220056	143	56	50220634	263	07	50380309	39	—	570019	189	21
50220056	147	56	50220635	263	07	50380309	63	—	650173	281	14
50220057	133	32	50220665	282	01	50380310	197	07	650315	31	15
50220061	61	07	50220751	133	11	50380310	197	08	650387	45	04
50220068	136	15	50280198	269	06	50380310	197	09	650387	47	27
50220068	137	05	50300066	24	07	50380310	197	10	650387	49	08
50220068	148	07	50300066	25	12	50380310	207	10	650426	60	08
50220068	149	16	50300170	75	01	50380310	207	11	650449	51	05
50220160	71	06	50300238	69	01	50380310	207	25	650450	27	15
50220161	71	05	50300240	69	19	50380310	207	26	650453	203	03
50220162	71	04	50300778	63	34	50380311	71	19	650481	49	37
50220163	71	02	50301416	297	09	50380312	71	18	650484	45	10
50220164	71	03	50380001	67	04	50380313	71	21	650484	47	17
50220165	71	15	50380007	69	04	50380314	19	16	650484	55	15
50220168	07	13	50380008	71	01	50380315	20	—	650484	71	27
50220173	07	02	50380015	47	09	50380315	63	—	650484	73	02
50220174	07	03	50380017	69	25	50380316	49	33	650485	153	04
50220187	07	09	50380024	51	01	50380316	63	—	650485	171	02
50220187	63	13	50380024	75	14	50380318	201	29	650485	179	03
50220188	07	09	50380026	47	05	50380318	262	07	650486	166	04
50220188	63	13	50380026	71	13	50380338	205	25	650486	181	12
50220188	65	00	50380028	71	16	50380338	257	06	650486	41	11
50220189	21	09	50380059	69	30	50380361	296	15	650486	47	02
50220190	69	06	50380063	69	16	50380387	77	24	650486	53	01
50220191	69	08	50380064	69	31	50380423	27	07	650486	73	04
50220192	69	17	50380071	75	11	50380423	65	01	650487	199	12
50220194	295	00	50380077	69	31	50380424	65	06	650487	201	12
50220195	295	00	50380089	51	12	50380445	27	09	650487	35	11
50220196	295	00	50380094	63	31	50380446	27	11	650487	47	22
50220197	295	00	50380122	47	14	50380450	51	42	650488	154	03
50220198	295	00	50380126	47	16	50380458	27	04	650488	155	06
50220199	295	00	50380141	20	—	50380459	27	10	650488	169	15
50220200	295	00	50380143	47	25	50380460	27	06	650488	170	17
50220201	295	00	50380145	51	07	50380463	20	—	650488	171	14
50220202	295	00	50380146	51	06	50380463	63	—	650488	175	24
50220203	295	00	50380149	20	—	50380494	69	31	650488	179	06
50220204	295	00	50380149	63	—	50380500	69	21	650488	51	08
50220205	295	00	50380150	45	14	50380502	69	31	650488	51	33
50220246	129	02	50380166	69	21	50380518	63	33	650489	51	25
50220247	131	02	50380175	60	—	50380563	13	09	650490	154	07
50220248	131	02	50380239	63	05	50380576	13	02	650490	173	08
50220249	131	20	50380243	19	15	50380577	13	01	650490	177	12
50220251	133	54	50380260	63	20	50380579	13	03	650490	27	21
50220252	133	03	50380261	63	19	50380583	13	04	650490	29	08
50220253	133	04	50380272	07	06	50380585	13	09	650490	35	13
50220254	133	11	50380273	263	06	50380600	289	05	650491	155	05
50220256	136	14	50380274	60	—	50380625	59	01	650491	27	16
50220264	129	10	50380276	49	01	50380646	289	23	650491	39	16
50220267	129	19	50380277	73	03	50380682	13	02	650491	43	06
50220290	289	11	50380278	73	08	50380751	20	14	650491	69	11
50220296	289	14	50380279	73	06	50380825	60	11	650491	77	12
50220297	289	02	50380280	45	01	50380838	60	—	650493	195	01
50220305	289	03	50380281	45	13	50380847	24	10	650493	287	33
50220306	289	18	50380285	47	01	50380891	265	20	650500	281	12
50220307	289	24	50380287	45	02	50380891	265	22	650500	282	05
50220622	07	05	50380288	47	15	50381115	39	25	650533	170	04

# Numerical Index

# RS Series

Part No.	Page No.	Ref. No.	Part No.	Page No.	Ref. No.	Part No.	Page No.	Ref. No.	Part No.	Page No.	Ref. No.
650533	175	04	651636	17	21	656150	65	08	L500001	13	15
650533	177	05	651638	17	05	820530	121	26	L500004	13	17
650533	35	13	651639	11	02	820530	123	24	L500019	11	16
650533	51	18	651639	15	09	L10057	201	16	L500020	09	07
650533	69	40	651640	11	03	L10057	246	09	L500021	09	08
650545	189	27	651640	31	11	L10057	291	06	L500021	11	05
650545	193	22	651641	11	06	L10465	159	18	L500021	15	04
650545	67	14	651641	15	08	L10465	161	03	L500021	17	08
650569	49	03	651641	17	06	L10465	181	02	L500022	09	06
650579	69	20	651643	17	10	L10465	201	28	L500022	17	21
650588	17	17	651668	69	15	L10465	241	01	L500024	11	08
650630	35	03	651695	63	01	L10465	245	01	L500025	11	14
650642	49	39	651697	65	02	L10465	246	01	L500027	11	18
650650	289	19	651698	63	28	L10465	247	14	L500028	11	17
650652	289	10	651706	65	04	L10465	39	10	L500036	17	16
650663	189	06	651720	65	03	L10465	53	—	L500038	11	01
650663	193	06	651759	27	08	L400207	152	07	L500038	15	02
650663	63	07	651789	65	07	L400207	161	07	L500042	11	04
650695	63	14	653098	49	24	L400207	183	10	L500042	15	05
650695	77	06	654002	11	00	L400398	293	14	L500042	17	07
650706	41	04	654002	201	26	L400425	280	03	L500055	09	01
650711	152	02	654002	203	18	L400425	282	03	L500057	09	04
650711	183	11	654004	35	08	L400425	283	03	L500099	13	23
650711	47	—	654004	39	29	L400425	285	24	L500111	11	07
650725	193	15	654004	55	14	L400425	287	02	L500163	24	08
650725	197	15	654004	71	26	L400929	279	05	L500213	283	01
650725	47	20	654004	73	01	L40805	71	07	L500216	287	05
650730	17	11	654006	09	36	L41179	63	26	L500220	291	24
650730	55	11	654006	23	02	L41261	33	02	L500223	293	—
650731	195	15	654006	35	13	L41847	45	11	L500241	250	09
650733	293	15	654006	51	09	L41848	19	18	L500242	250	01
650744	152	14	654006	51	19	L41848	19	19	L500262	245	11
650744	166	05	654006	69	12	L41854	49	14	L500273	115	17
650810	151	04	654006	71	09	L41859	69	39	L500273	93	03
650810	47	03	654014	175	10	L442023	51	17	L500273	95	03
650818	159	17	654024	171	05	L445004	287	18	L500274	96	01
650818	161	06	654024	187	02	L445010	203	02	L500339	23	07
650818	185	05	654024	191	02	L446047	51	22	L500364	251	01
650818	187	18	654024	193	14	L447005	29	05	L500365	251	03
650818	189	19	654024	201	08	L447005	63	23	L500370	252	08
650818	197	02	654024	203	13	L44859	39	11	L500370	253	06
650818	53	21	654026	154	08	L45666	51	32	L500371	277	01
650833	203	14	654026	171	13	L46865	203	04	L500407	85	07
650833	287	11	654026	179	05	L46865	254	01	L500407	93	23
650835	45	15	654028	17	22	L47263	279	06	L500408	85	08
650835	47	07	654030	165	26	L47263	279	12	L500408	93	22
650863	11	00	654030	169	06	L47265	279	07	L500409	85	16
650863	51	44	654030	293	25	L47265	279	13	L500409	93	24
650965	77	29	654034	289	15	L47270	121	01	L500410	93	01
651151	43	02	654046	17	22	L48805	183	05	L500411	93	02
651201	51	04	654049	69	37	L48868A	250	08	L500412	93	04
651202	69	22	656006	63	03	L49327	07	14	L500413	113	19
651271	151	06	656008	69	35	L49327	51	15	L500413	115	23
651271	165	06	656010	63	29	L49618	159	04	L500413	93	19
651358	293	28	656010	69	34	L49618	161	10	L500414	113	21
651400	77	21	656012	77	16	L49618	169	23	L500414	115	24
651404	63	09	656013	77	21	L49618	170	11	L500414	93	20
651458	39	18	656035	121	24	L49618	173	15	L500416	111	10
651543	121	15	656048	63	04	L49618	175	18	L500416	95	12
651567	123	10	656049	39	14	L49619	159	03	L500451	129	02
651567	199	17	656049	69	02	L49619	161	09	L500451	129	02
651567	201	21	656049	69	09	L49619	169	24	L500457	131	01
651625	151	11	656117	63	11	L49619	170	10	L500459	131	02
651625	33	08	656131	63	27	L49619	173	16	L500460	131	02
651635	17	21	656133	69	03	L49619	175	19	L500461	131	02

# Telescopic Handler

# Numerical Index

Part No.	Page No.	Ref. No.	Part No.	Page No.	Ref. No.	Part No.	Page No.	Ref. No.	Part No.	Page No.	Ref. No.
L500464	131	05	L500534	136	08	L500762	252	03	L50371	293	20
L500465	131	06	L500535	136	09	L500762	253	02	L50380	159	11
L500466	131	07	L500536	135	15	L500763	253	01	L50380	165	27
L500466	141	14	L500536	136	10	L500771	131	16	L50380	169	07
L500466	145	14	L500536	137	12	L500784	187	06	L50380	293	24
L500467	131	08	L500539	129	09	L500784	191	06	L50385	53	06
L500467	133	14	L500542	121	20	L50084	121	13	L50417	09	22
L500468	131	09	L500542	123	20	L50084	123	13	L50452	287	14
L500469	131	10	L500542	129	12	L50084	199	16	L50452	291	10
L500470	131	11	L500543	121	16	L50084	201	20	L50468	77	27
L500471	131	12	L500543	123	16	L50084	47	—	L50491	21	01
L500472	131	13	L500543	129	13	L50084	53	07	L50491	33	10
L500473	131	14	L500544	121	17	L50092	159	10	L50517	35	05
L500474	131	15	L500544	123	17	L50092	161	15	L50519	152	09
L500476	131	17	L500544	129	14	L50092	165	34	L50519	183	13
L500477	131	17	L50056	09	33	L50092	169	32	L50519	283	02
L500478	131	18	L50056	153	03	L50092	175	05	L50535	205	14
L500480	131	23	L50056	171	07	L50092	177	11	L50538	21	04
L500481	131	24	L50056	179	08	L500968	256	02	L50538	33	10
L500483	133	01	L50056	197	18	L50101	33	04	L50561	187	01
L500483	143	03	L50056	287	28	L50136	151	07	L50561	291	16
L500483	147	03	L50056	35	09	L50136	165	07	L50562	281	06
L500487	133	05	L50056	39	03	L50137	259	10	L50562	282	09
L500487	143	05	L50056	47	13	L50139	09	14	L50562	283	17
L500488	133	06	L50056	67	15	L50139	201	25	L50607	39	12
L500488	143	12	L50056	73	05	L50139	203	17	L50608	152	06
L500488	147	12	L500582	243	05	L50139	259	09	L50608	183	08
L500489	133	07	L500594	31	10	L50145	285	15	L50628	39	09
L500489	143	10	L500595	27	01	L50147	285	20	L50646	181	06
L500489	147	10	L500595	31	07	L50151	39	06	L50655	47	11
L500490	133	10	L500596	31	05	L50152	159	12	L50704	77	10
L500490	143	11	L500606	23	09	L50156	183	03	L50712	121	10
L500490	147	11	L500607	15	01	L50196	35	04	L50712	199	17
L500496	121	19	L500652	277	06	L50201	121	09	L50712	201	21
L500496	123	19	L500653	277	11	L50202	09	15	L50718	285	22
L500496	129	16	L500656	277	04	L50202	09	38	L50801	285	17
L500496	133	16	L500684	47	—	L50202	11	00	L50833	77	20
L500496	135	23	L500688	277	03	L50202	17	21	L50835	183	22
L500496	136	12	L500689	277	05	L50202	23	06	L50835	185	15
L500496	137	03	L500690	277	08	L50202	23	11	L50835	287	12
L500496	139	19	L500692	277	07	L50202	24	12	L50836	121	06
L500496	148	06	L500695	13	22	L50202	25	16	L50836	123	06
L500496	149	15	L500696	13	13	L50202	37	03	L50841	293	04
L50050	45	05	L500697	13	19	L50202	53	25	L50842	187	15
L50050	47	28	L500700	13	06	L50217	203	16	L50842	191	15
L50050	49	08	L500701	13	20	L50217	259	08	L50877	185	07
L50051	09	05	L500706	13	05	L50228	39	28	L50877	189	08
L50051	09	38	L500707	13	08	L50235	39	02	L50877	193	08
L50051	205	10	L500708	13	21	L50242	283	10	L50884	191	01
L50051	23	06	L500709	13	18	L50251	163	11	L50952	77	16
L50051	23	12	L500711	13	12	L50253	121	02	L50979	17	22
L50051	31	04	L500718	13	14	L50253	123	02	L50982	285	02
L50051	37	05	L500719	13	10	L50261	163	10	L50986	181	17
L50051	41	13	L500745	260	02	L50261	285	21	L510003	280	04
L50051	47	08	L500746	260	07	L50273	285	08	L510003	285	25
L50051	49	36	L500747	21	10	L50277	199	03	L510003	287	03
L50051	60	10	L500747	23	00	L50286	293	11	L510007	165	17
L50051	63	08	L500747	23	00	L50294	280	04	L510007	170	18
L500517	133	38	L500748	23	00	L50294	285	25	L510007	173	02
L500518	133	39	L500753	245	03	L50305	63	15	L510007	177	06
L500527	135	14	L500755	245	05	L50313	183	04	L51035	171	11
L500527	136	01	L500757	245	06	L50333	282	02	L520003	17	21
L500527	137	10	L500758	245	04	L50333	283	04	L520003	291	07
L500532	136	06	L500761	252	05	L50367	163	04	L520004	157	02
L500533	136	07	L500761	253	03	L50371	291	02	L520004	171	04

# Numerical Index

# RS Series

Part No.	Page No.	Ref. No.	Part No.	Page No.	Ref. No.	Part No.	Page No.	Ref. No.	Part No.	Page No.	Ref. No.
L520004	179	02	L61709	175	21	L63381	227	15	L64294	285	07
L520004	185	06	L61709	177	15	L63381	229	12	L64294	293	02
L520004	41	05	L61709	183	26	L63381	229	13	L64311	203	15
L520005	170	05	L61709	285	19	L63381	231	15	L64359	159	09
L520005	185	03	L61866	291	05	L63381	235	10	L64359	161	14
L520005	23	03	L61867	49	16	L63381	237	12	L64360	159	05
L520005	291	03	L62026	285	10	L63381	237	13	L64360	161	11
L520005	53	20	L62583	296	08	L63383	205	05	L64367	199	02
L520005	55	12	L62715	151	17	L63383	51	34	L64367	238	08
L520005	69	14	L62715	154	02	L63406	203	26	L64367	243	01
L520005	69	26	L62715	155	04	L63406	207	01	L64384	159	15
L520005	69	38	L62715	163	03	L63406	75	18	L64443	183	14
L520005	77	14	L62715	165	18	L63406	77	05	L64466	159	08
L520007	77	09	L62715	169	10	L63468	287	35	L64466	161	13
L520019	280	05	L62715	170	03	L63545	24	02	L64467	161	12
L520019	287	01	L62715	173	03	L63545	25	15	L64467	163	05
L520019	293	12	L62715	175	03	L63546	49	13	L64468	159	14
L520019	49	04	L62715	177	04	L63593	249	02	L64524	205	04
L52024	09	11	L62731	155	02	L63593	251	02	L64559	185	17
L52024	37	09	L62732	155	03	L63593	287	16	L64561	280	02
L52024	37	10	L62732	170	02	L63593	291	09	L64561	285	26
L52025	09	10	L62733	154	04	L63631	298	08	L64561	287	04
L52025	09	23	L62733	155	07	L63632	298	07	L64661	183	02
L52025	39	27	L62733	163	02	L63634	09	26	L64673	45	03
L52025	49	28	L62733	169	14	L63715	187	03	L64673	47	26
L52048	151	05	L62733	170	15	L63715	189	09	L64673	49	08
L52048	165	05	L62733	173	06	L63715	193	09	L64695	47	12
L530004	152	03	L62733	175	22	L63715	199	11	L64764	69	13
L530004	153	06	L62733	177	13	L63715	201	14	L64914	53	19
L530004	166	02	L62734	154	05	L63715	283	09	L64963	53	18
L530004	167	06	L62734	155	08	L63715	287	24	L65097	181	03
L530004	39	27	L62734	169	13	L63716	283	11	L65098	181	04
L530004	45	09	L62734	170	16	L63716	287	25	L65142	51	10
L530004	47	04	L62734	173	07	L63717	189	10	L65144	51	11
L54002	09	00	L62734	175	23	L63717	193	10	L65180	285	14
L560003	163	06	L62734	177	14	L63719	191	03	L65181	285	03
L560003	175	07	L62761	277	02	L63719	193	13	L65211	51	20
L561004	39	15	L62834	77	17	L63719	197	16	L65223	280	02
L60123	51	27	L62840	259	07	L63719	47	19	L65223	285	26
L60198	123	01	L62840	269	05	L63720	191	04	L65273	191	17
L60451	293	22	L62840	77	17	L63720	193	12	L65273	193	17
L60587	23	00	L62933	259	07	L63720	197	17	L65273	281	02
L60961	279	08	L62933	269	05	L63720	47	18	L65273	282	14
L60961	279	14	L630003	—	—	L63756	49	18	L65273	283	13
L61001	279	02	L630004	77	13	L63813	09	00	L65273	285	05
L61001	279	10	L63016	199	10	L63813	43	—	L65273	287	06
L61001	279	16	L63016	238	02	L63887	09	27	L65273	289	06
L61017	279	03	L63017	195	13	L63894	21	06	L65273	291	19
L61067	09	32	L63018	195	04	L63894	23	00	L65273	293	06
L61117	49	25	L63018	246	03	L63951	287	34	L65338	293	18
L61287	285	28	L63143	281	03	L63970	251	00	L65348	295	00
L61307	285	04	L63143	282	13	L63970	287	17	L65570	63	24
L61411	293	23	L63143	283	18	L63984	287	10	L65638	151	08
L61620	51	14	L63143	287	07	L63994	287	30	L65638	165	08
L61699	157	07	L63143	291	18	L63995	287	15	L65640	151	03
L61699	171	12	L63222	121	—	L64122	250	02	L65640	165	03
L61699	179	09	L63222	123	—	L64124	63	18	L65896	45	17
L61709	151	19	L63230	39	01	L64124	77	08	L65896	47	06
L61709	154	09	L63233	287	27	L64132	151	23	L65926	296	14
L61709	155	09	L63276	199	05	L64133	169	17	L65926	298	02
L61709	163	01	L63309	203	01	L64143	154	06	L65927	295	00
L61709	165	16	L63309	51	16	L64143	165	21	L65927	296	02
L61709	169	12	L63311	298	13	L64143	173	09	L65927	297	02
L61709	170	14	L63381	203	25	L64197	63	17	L65928	296	13
L61709	173	05	L63381	225	12	L64197	77	07	L65928	297	07

# Telescopic Handler

# Numerical Index

Part No.	Page No.	Ref. No.	Part No.	Page No.	Ref. No.	Part No.	Page No.	Ref. No.	Part No.	Page No.	Ref. No.
L65932	296	11	L68337	283	16	L69833	187	13	L70634	35	02
L65932	297	05	L68493	280	02	L69833	189	28	L70635	151	25
L65933	296	03	L68496	35	12	L69833	191	13	L70635	165	20
L65937	296	05	L68549	77	28	L69833	193	23	L70639	151	12
L66011	09	22	L68592	29	02	L69902	219	09	L70639	165	11
L66017	199	06	L68711	257	00	L69902	219	10	L70646	123	01
L66017	285	11	L68772	33	06	L69902	219	15	L70655	250	00
L66017	285	13	L68804	219	05	L69902	219	16	L70655	285	12
L66042	295	00	L68804	219	06	L69903	125	06	L70701	23	08
L66139	125	05	L68804	219	17	L69903	125	10	L70719	287	31
L66139	127	04	L68807	53	09	L69903	213	19	L70895	169	01
L66406	279	04	L68807	53	10	L69904	127	02	L70895	170	19
L66406	279	11	L68809	211	05	L69904	205	20	L70912	173	01
L66453	181	18	L68809	213	05	L69904	51	37	L70912	175	26
L66456	181	05	L68809	215	05	L69905	219	01	L70963	171	01
L66613	181	07	L68809	217	05	L69905	229	11	L70964	185	04
L66613	297	08	L68810	221	40	L69906	219	02	L70972	165	33
L66780	163	07	L68810	223	40	L69906	229	14	L71000	165	29
L66782	163	08	L68817	201	02	L69920	41	16	L71000	175	29
L66783	163	09	L68817	207	04	L69920	51	35	L71001	165	25
L66783	175	02	L69114	121	22	L69933	125	08	L71001	169	02
L66783	177	03	L69114	123	01	L69933	205	15	L71001	175	25
L66805	291	27	L69114	123	22	L69936	127	06	L71001	177	02
L66809	291	26	L69127	247	09	L69936	127	07	L71003	175	20
L66811	291	08	L69135	197	05	L69936	205	16	L71003	177	07
L66831	291	17	L69135	241	00	L69936	205	17	L71004	165	22
L66918	282	10	L69138	197	14	L69994	152	08	L71005	165	23
L66918	283	15	L69138	201	17	L69994	183	09	L71005	169	03
L66919	283	05	L69138	239	02	L70039	23	01	L71006	165	32
L66921	282	07	L69142	197	04	L70040	151	13	L71006	169	30
L66921	283	08	L69142	241	03	L70040	165	09	L71006	175	06
L66931	282	06	L69144	187	19	L70069	17	21	L71007	165	30
L66931	283	06	L69144	189	18	L70075	20	11	L71007	169	31
L66946	293	19	L69144	247	00	L70075	20	12	L71008	169	22
L66948	282	07	L69149	195	05	L70088	187	26	L71008	170	12
L66948	283	08	L69149	246	00	L70146	49	26	L71008	173	14
L66949	283	20	L69297	09	23	L70200	23	06	L71008	175	17
L66950	283	19	L69402	09	26	L70201	35	07	L71010	175	12
L66950	289	04	L69449	187	27	L70212	35	06	L71011	175	01
L66958	287	08	L69450	187	28	L70225	49	07	L71011	177	01
L66965	77	22	L69524	171	03	L70241	23	00	L71014	175	13
L67119	245	02	L69595	33	03	L70242	151	02	L71016	175	09
L67120	245	08	L69599	197	13	L70242	165	02	L71017	169	21
L67246	291	04	L69600	197	03	L70270	185	09	L71020	151	18
L67248	249	00	L69601	187	17	L70274	243	03	L71020	154	10
L67248	291	15	L69601	189	20	L70274	245	09	L71021	165	24
L67347	291	01	L69724	181	11	L70305	296	01	L71021	169	04
L67446	185	08	L69724	187	21	L70305	297	01	L71024	185	18
L67495	291	12	L69724	53	05	L70306	298	01	L71024	245	00
L67598	291	13	L69725	53	02	L70307	298	11	L71036	189	04
L67599	291	14	L69727	181	10	L70415	59	02	L71037	189	03
L67719	296	09	L69727	187	22	L70420	152	10	L71038	189	11
L67720	296	09	L69734	121	12	L70420	183	12	L71039	189	12
L67721	296	09	L69734	123	12	L70428	41	02	L71040	193	04
L67722	296	09	L69734	133	49	L70462	151	13	L71041	193	03
L67723	296	09	L69747	205	11	L70502	241	09	L71042	189	05
L68003	246	10	L69747	257	01	L70502	247	10	L71042	193	05
L68039	187	04	L69756	37	12	L70521	63	12	L71043	189	13
L68133	49	11	L69774	201	10	L70614	53	17	L71043	193	11
L68134	49	11	L69774	239	05	L70615	53	16	L71055	189	24
L68135	49	12	L69776	201	09	L70616	248	00	L71055	193	19
L68295	298	03	L69832	187	12	L70616	53	14	L71072	53	22
L68331	279	09	L69832	189	29	L70618	248	03	L71073	53	23
L68331	279	15	L69832	191	12	L70618	53	15	L71074	19	06
L68337	253	00	L69832	193	24	L70621	53	03	L71075	19	03

# Numerical Index

# RS Series

Part No.	Page No.	Ref. No.	Part No.	Page No.	Ref. No.	Part No.	Page No.	Ref. No.	Part No.	Page No.	Ref. No.
L71076	19	12	L97526	83	11	L98236	111	15	L98266	109	06
L71077	19	09	L97655	258	06	L98236	113	16	L98266	96	07
L71082	19	07	L97769	250	07	L98236	115	15	L98268	103	24
L71083	19	10	L97839	250	04	L98236	91	16	L98268	116	05
L71084	19	08	L98176	103	06	L98236	95	15	L98268	96	04
L71086	19	04	L98176	81	09	L98237	111	08	L98272	100	17
L71088	19	11	L98184	103	09	L98237	113	09	L98272	95	18
L71104	189	32	L98184	81	22	L98237	115	07	L98274	95	01
L71159	279	17	L98185	103	05	L98237	91	09	L98275	115	27
L71160	279	18	L98185	81	08	L98237	93	14	L98275	95	02
L71161	279	19	L98189	83	09	L98237	95	09	L98276	85	11
L71165	152	11	L98191	83	13	L98238	91	08	L98276	95	26
L71165	166	08	L98194	100	14	L98238	93	13	L98277	85	13
L71204	159	16	L98194	83	07	L98238	95	08	L98277	95	27
L71205	159	13	L98196	100	16	L98239	111	14	L98278	96	09
L71205	161	08	L98196	83	16	L98239	113	15	L98279	96	08
L71206	161	05	L98197	105	21	L98239	115	14	L98281	116	04
L71206	170	06	L98197	83	03	L98240	91	14	L98281	96	03
L71206	173	17	L98198	100	15	L98240	93	11	L98282	96	02
L71212	169	19	L98198	83	15	L98240	95	20	L98284	85	14
L71213	175	27	L98199	83	12	L98240	95	22	L98291	119	01
L71214	169	26	L98200	105	23	L98241	111	12	L98291	99	01
L71214	170	08	L98200	83	06	L98241	113	13	L98292	119	02
L71245	169	25	L98201	105	22	L98242	111	11	L98292	99	02
L71245	170	09	L98201	83	04	L98242	113	12	L98293	119	03
L71245	173	13	L98202	105	24	L98244	111	09	L98293	99	03
L71245	175	16	L98202	83	05	L98244	113	10	L98294	119	04
L71266	293	19	L98203	83	01	L98246	111	05	L98294	99	04
L71347	175	14	L98204	105	20	L98246	113	06	L98295	119	05
L71350	279	01	L98204	83	02	L98246	115	04	L98295	99	05
L71389	175	11	L98205	105	25	L98246	91	06	L98297	119	13
L71554	299	01	L98205	83	14	L98246	93	09	L98298	119	12
L71555	299	02	L98211	86	05	L98246	95	06	L98298	99	12
L71595	23	10	L98212	86	07	L98247	111	06	L98300	119	10
L71651	287	26	L98214	107	10	L98247	113	07	L98300	99	10
L71651	291	23	L98214	87	10	L98248	91	01	L98301	119	09
L71691	19	05	L98215	107	08	L98249	103	27	L98301	99	09
L71691	57	—	L98215	87	08	L98249	91	18	L98302	119	08
L71700	299	03	L98216	107	09	L98250	111	02	L98302	99	08
L71705	171	09	L98216	87	09	L98250	113	02	L98303	119	07
L71725	58	03	L98217	81	15	L98250	115	02	L98303	99	07
L71726	58	02	L98218	81	14	L98251	103	25	L98304	119	06
L71729	58	—	L98219	107	12	L98251	91	02	L98304	99	06
L71732	58	05	L98219	87	12	L98252	103	26	L98307	99	13
L71747	171	08	L98220	107	01	L98252	91	03	L98316	118	03
L71748	171	10	L98220	87	01	L98253	111	18	L98316	98	03
L71750	58	04	L98224	107	06	L98253	111	21	L98317	118	06
L71751	57	05	L98224	87	06	L98253	115	19	L98317	98	06
L71752	57	04	L98226	81	13	L98253	85	02	L98355	121	18
L71758	121	01	L98228	108	02	L98253	85	05	L98355	123	18
L72419	51	13	L98228	89	02	L98253	85	10	L98355	129	15
L76020	75	03	L98229	108	01	L98253	85	12	L98355	133	17
L79167	153	02	L98229	89	01	L98253	91	19	L98355	139	20
L79167	167	02	L98230	108	04	L98253	95	24	L98355	143	18
L82358	293	09	L98230	89	04	L98254	85	03	L98355	147	18
L94824	103	02	L98231	108	03	L98254	85	06	L98368	135	08
L94824	81	02	L98231	89	03	L98254	91	20	L98368	137	17
L96053	116	06	L98232	108	05	L98255	91	22	L98371	133	08
L96053	96	05	L98232	89	05	L98257	100	13	L98371	143	09
L96838	241	09	L98233	89	08	L98257	93	06	L98371	147	09
L96838	247	10	L98235	111	16	L98257	95	19	L98372	133	09
L96838	250	08	L98235	113	17	L98258	93	05	L98372	143	07
L97489	07	10	L98235	115	16	L98260	95	17	L98372	147	07
L97489	51	43	L98235	91	17	L98263	109	02	L98373	129	08
L97525	83	10	L98235	95	16	L98264	96	06	L98373	133	42



# Telescopic Handler

# Numerical Index

Part No.	Page No.	Ref. No.	Part No.	Page No.	Ref. No.	Part No.	Page No.	Ref. No.	Part No.	Page No.	Ref. No.
L98373	139	04	L98961	95	11	L99279	113	03	L99908	259	05
L98373	143	08	L98962	91	21	L99279	93	08	L99908	261	02
L98373	147	08	L98968	85	09	L99280	103	23	L99909	261	03
L98380	131	04	L98968	95	25	L99283	100	03	L99910	259	06
L98394	131	21	L99013	103	03	L99283	103	07	L99910	261	04
L98395	131	20	L99013	81	04	L99283	79	02	L99911	259	06
L98396	131	19	L99018	105	09	L99283	79	05	L99911	260	02
L98404	131	17	L99018	81	19	L99283	81	17	L99911	261	03
L98406	131	17	L99020	107	15	L99284	100	03	L99911	261	04
L98414	131	02	L99020	87	15	L99284	103	07	L99916	262	05
L98419	139	01	L99023	87	14	L99284	79	03	L99917	241	12
L98424	139	05	L99025	87	13	L99284	79	06	L99917	247	12
L98503	238	01	L99027	87	16	L99284	81	18	L99917	248	08
L98506	238	12	L99029	100	09	L99285	100	06	L99917	260	08
L98507	238	05	L99029	105	11	L99285	103	18	L99917	262	06
L98509	238	10	L99030	118	05	L99285	79	08	L99924	260	07
L98547	238	03	L99030	98	05	L99285	81	32	L99925	259	03
L98547	246	04	L99031	108	06	L99286	79	01	L99925	269	02
L98550	238	06	L99031	89	06	L99287	81	29	L99927	259	03
L98662	251	04	L99032	108	07	L99288	103	17	L99927	269	02
L98734	103	13	L99032	89	07	L99288	105	13	L99935	239	07
L98734	81	27	L99038	115	03	L99288	81	31	L99937	239	03
L98735	103	14	L99038	95	05	L99294	103	19	L99938	239	04
L98735	81	28	L99045	105	10	L99294	105	18	L99942	239	08
L98919	249	03	L99045	81	20	L99294	81	33	L99943	243	03
L98922	249	06	L99053	243	07	L99295	103	20	L99943	245	09
L98922	291	15	L99074	250	03	L99295	81	34	L99944	251	07
L98923	249	01	L99122	241	07	L99296	103	21	L99951	121	03
L98926	105	02	L99122	245	07	L99296	107	23	L99951	123	03
L98926	81	07	L99122	247	08	L99296	81	35	L99966	63	22
L98927	105	03	L99134	189	24	L99312	81	30	L99987	248	09
L98927	81	06	L99134	193	19	L99313	83	08	L99988	248	11
L98932	81	12	L99157	49	07	L99405	238	07	L99989	248	01
L98935	81	11	L99163	51	03	L99425	33	06	L99991	248	04
L98938	100	10	L99182	77	26	L99696	113	23	P470472	51	02
L98938	79	14	L99184	07	11	L99696	115	25	P471997	259	07
L98942	106	12	L99184	107	02	L99696	93	21	P471997	269	05
L98942	86	06	L99190	280	01	L99770	103	11	P471997	55	17
L98943	106	07	L99191	280	01	L99785	118	04			
L98943	86	04	L99235	293	01	L99785	98	04			
L98944	86	03	L99246	100	04	L99849	241	11			
L98945	86	01	L99246	103	11	L99851	241	06			
L98947	86	02	L99246	105	15	L99852	247	06			
L98948	107	11	L99246	79	04	L99853	241	02			
L98948	87	11	L99246	81	16	L99854	241	05			
L98949	107	07	L99246	81	24	L99856	241	04			
L98949	87	07	L99249	100	11	L99856	247	03			
L98950	87	04	L99249	79	15	L99857	238	04			
L98951	107	05	L99251	103	03	L99857	241	08			
L98951	87	05	L99251	81	03	L99857	246	06			
L98953	87	03	L99253	103	04	L99864	246	07			
L98954	106	01	L99253	81	05	L99864	248	05			
L98954	87	18	L99260	100	08	L99865	246	02			
L98955	85	15	L99260	79	09	L99866	246	05			
L98955	89	09	L99260	79	12	L99868	246	11			
L98956	119	15	L99261	100	07	L99873	243	12			
L98956	99	15	L99261	79	10	L99874	243	10			
L98957	119	14	L99262	100	05	L99875	243	09			
L98957	99	14	L99262	105	16	L99881	243	04			
L98958	119	11	L99262	79	07	L99883	247	13			
L98958	99	11	L99262	81	25	L99885	247	07			
L98961	113	11	L99274	103	10	L99886	247	02			
L98961	115	09	L99274	81	23	L99888	247	05			
L98961	91	11	L99278	111	03	L99889	181	14			
L98961	93	16	L99278	91	05	L99889	247	01			

	PAGE
<b>A</b>	
A/C Compressor	27, 65
A/C Dryer	27
Actuator	289
Adhesive Kit, Window	15
Air Breather, Vent	103
Air Cleaner Assembly	67
Air Filter	67
Air Intake Tube	67
Attachment Fork	279
Auxiliary Hydraulic Hose	191
Auxiliary Hydraulics Work Section	267
Axle Assembly	121, 123
<b>B</b>	
Backup Alarm	23
Battery	49
Bellows, Seat	35
Bevel Gear Set	131, 141
Blower Motor, Heater	24
Boom Angle Indicator	151, 165
Boom Chain	159, 161, 169, 177
Boom Extend Cylinder	243, 245
Boom Lift Cylinder	241
Boom Light	151, 165
Boom, Inner	163, 177, 179
Boom, Intermediate	154, 157
Boom, Outer	151, 153, 165, 166, 167
Bottle, Dual -Pump Washer	13
Brake Cylinder, Booster	39, 41, 255
Brake Disc	135, 136, 137, 148, 149
Brake Lever Assembly	39
Breather Tube	129
Breather, Air	81
Button, Radio E-Stop	60
<b>C</b>	
Cab	09
Cab Air Filter	07, 25
Cab Door	17
Cable, Battery	49
Can, Terminate Receptacle	21
Cap, Fuel	49
Cap, Hydraulic Fill	51
Cap, Radiator	71
Cap, Steering Wheel	33
Carriage, Attachment	280, 289
Carriage, Fork-Shift	281
Carriage, Log/Pipe	291
Carriage, Rotating	285
Carriage, Swing	287, 289
Chain Sheave	159, 161, 169, 170, 173, 175
Chain, Boom	159, 161, 169, 177
Chain, Leaf	165, 175

	<b>PAGE</b>
Change-Over Relay	.20
Charge Pump, Transmission	.87, 107
Charge-Air Cooler Section	.71
Clear Cover, Diode Pack	.21, 23
Cold Control Switch (HVAC)	.25
Column, Steering	.33
Condenser	.27, 31
Control, Temperature (HVAC)	.24
Control, Tri-Function	.217, 235
Controller, Hydraulic (Joystick)	.37, 209, 211, 213, 215, 217, 223, 227, 231, 233, 235, 237
Cooler Assembly	.71
Cover, Boom Side	.153, 167
Cover, Rear	.23
Cover, Rear Hood	.47
Cylinder, Boom Extend	.243, 245
Cylinder, Boom Lift	.241
Cylinder, Extend	.183, 185
Cylinder, Fork-Shift	.252, 253, 281, 282, 283
Cylinder, Frame Level	.199, 238
Cylinder, Frame Stabilizing	.201, 239
Cylinder, Grapple	.249
Cylinder, Lift	.197
Cylinder, Outrigger	.53
Cylinder, Rotating Carriage	.250, 285
Cylinder, Slave (Compensation)	.246
Cylinder, Steer	.129
Cylinder, Swing Carriage	.287
Cylinder, Tilt	.187, 189, 247
 <b>D</b>	
Decal	.295
Decal, A/C Heater Control	.25
Decal, Dynattach Unlocked	.181
Decal, Heat Control	.24
Decal, Remote System Warning	.60
Decal, Remote Transmitter	.60, 61
Differential	.141, 145
Diode Pack	.21, 23
Diode Wire	.21
Dipstick, Transmission	.103
Display, CAN & Instruments	.19
Door, Cab	.17
Drain Valve	.71
Driveshaft	.77
Dust Excluder	.133, 143, 147
Dynattach® Weldment	.181
 <b>E</b>	
Engine	.63
Engine Block Heater	.63
Engine Mount	.63
Engine Oil Filter	.07
Evaporator/Heater Coil	.25, 29
Exhaust Gasket	.69

	<b>PAGE</b>
Exhaust Pipe . . . . .	.69
Extend Cylinder . . . . .	.183, 185
 <b>F</b>	
Fan Assembly, HVAC . . . . .	.25
Fan Belt . . . . .	.07, 63
Fan Belt, A/C . . . . .	.65
Fan Guard . . . . .	.73
Fan, Engine Suction . . . . .	.63
Fender . . . . .	.121, 123
Filter Cover, HVAC . . . . .	.25
Filter, Air . . . . .	.07, 67
Filter, Cab Air . . . . .	.07, 25
Filter, Crankcase . . . . .	.07
Filter, Engine Oil . . . . .	.07
Filter, Fuel . . . . .	.07
Filter, Hydraulic Oil . . . . .	.07, 51
Filter, In-Tank Return UHI . . . . .	.51
Filter, Transmission Oil . . . . .	.07, 77, 87, 107
Flow Divider Valve . . . . .	.203, 211, 213, 215, 221, 223, 225, 227, 229, 231, 233, 235, 237, 259
F-N-R/Shifter . . . . .	.33
Fork Shaft Bar . . . . .	.280, 282, 285, 287, 289
Fork Shaft, 50 Carriage . . . . .	.283
Fork Slide . . . . .	.283
Fork Slide Coupler . . . . .	.282, 283
Fork Slide Plate . . . . .	.281, 282, 283
Fork, Attachment . . . . .	.279
Fork-Shift Carriage . . . . .	.283
Fork-Shift Cylinder . . . . .	.252, 253, 281, 282, 283
Frame Level Cylinder . . . . .	.199, 238
Frame Level Mount . . . . .	.121, 123, 199
Frame Stabilizing Cylinder . . . . .	.201, 239
Frame Stabilizing Valve . . . . .	.262
Fuel Filter . . . . .	.07
Fuel Tank . . . . .	.49
Fuse . . . . .	.20, 60, 61
Fuses & Micro Relays . . . . .	.20
 <b>G</b>	
Gasket, Charge Pump . . . . .	.87, 107
Gasket, Filler Neck . . . . .	.51
Gasket, Pump . . . . .	.254
Gasket, Sender . . . . .	.49
Glass, Front . . . . .	.11
Glass, Left Rear . . . . .	.15
Glass, Lower Door . . . . .	.17
Glass, Rear . . . . .	.09, 11
Glass, Right-Hand . . . . .	.09
Glass, Top . . . . .	.15
Glass, Upper Door . . . . .	.17
Grapple Cylinder . . . . .	.249, 291
Grill, Defroster . . . . .	.24
Grill, Vent . . . . .	.25
Ground Strap . . . . .	.77

	PAGE
<b>H</b>	
Head Light . . . . .	23
Heater Assembly . . . . .	24, 29
Heater, Hydraulic Tank . . . . .	51
Heater, Oil Pan . . . . .	63
Hood, Engine . . . . .	45
Hood, Front . . . . .	45
Hood, Top . . . . .	47
Horn, 12 Volt . . . . .	45
Hose, Charge-Air . . . . .	75
Hose, Coolant Fill . . . . .	71, 75
Hose, Heater . . . . .	29
Hose, Overflow . . . . .	25, 71
Hose, Radiator . . . . .	75
HVAC Assembly . . . . .	25, 27
Hydraulic Controller . . . . .	37, 209, 211, 213, 215, 217, 223, 227, 231, 233, 235, 237
Hydraulic Cooler Section . . . . .	71
Hydraulic Coupler Set . . . . .	281, 282, 289
Hydraulic Filter . . . . .	07, 51
Hydraulic Main Valve . . . . .	207, 265
Hydraulic Oil Tank . . . . .	51
Hydraulic Pump . . . . .	203, 254
Hydraulic Winch . . . . .	293
<b>I</b>	
Inclinometer - Angle Indicator . . . . .	151
Indicator, DPF Status . . . . .	19
Indicator, Frame Level . . . . .	09
Indicator, Restriction . . . . .	67
In-Line Diode . . . . .	23
Inner Boom . . . . .	163, 177, 179
Inner Boom Hose Tray . . . . .	179
Instrument Panel . . . . .	24
Intermediate Boom . . . . .	154, 157
<b>K</b>	
Key . . . . .	17, 19, 49
Kit, Level Sensor . . . . .	57
Kit, Lifting Hook . . . . .	181
Kit, Throttle Pedal . . . . .	39
Kit, Torque Converter Plug . . . . .	101
<b>L</b>	
Lanyard . . . . .	60, 61
Latch . . . . .	45
Latch Release, Interior . . . . .	17
Latch, T-Handle . . . . .	47
Lifting Hook, Kit . . . . .	181
Light, Backup . . . . .	23
Light, Brake/Turn . . . . .	23
Load Chart Plate . . . . .	09
Log/Pipe Carriage . . . . .	291

	PAGE
<b>M</b>	
Magnetic Plug . . . . .	129, 133, 143, 147
Main Hydraulic Valve . . . . .	207, 265
Maintenance Chart . . . . .	296
Manifold, PWP/WPS . . . . .	217, 235
Manifold, Brake Line . . . . .	41
Manifold, Pilot Apply . . . . .	211, 213, 215, 217, 260
Manifold, PWP/WPS . . . . .	57, 215, 225, 227, 229, 231, 235, 237, 261
Manifold, Radio Remote . . . . .	219
Manifold, Stabilizing Cylinder . . . . .	201
Micro Relay . . . . .	20
Mirror . . . . .	09, 49
Module, A/C Control . . . . .	25
Module, Brake Warning . . . . .	21
Module, F-N-R Shifter . . . . .	20, 21, 33
Module, PWP/WPS . . . . .	57
Motor, Steer . . . . .	33
Mount, Condenser Coil . . . . .	31
Mount, Dryer / Valve . . . . .	27, 29
<b>O</b>	
Outer Boom . . . . .	151, 153, 165, 166, 167
Outrigger . . . . .	53
Outrigger Cylinder . . . . .	248
Outrigger Leg . . . . .	53
Outrigger Valve . . . . .	269
<b>P</b>	
Paint . . . . .	295
Paint, Spray . . . . .	295
Panel, Dash . . . . .	19
Panel, Dash Cover . . . . .	09
Panel, Heater . . . . .	09
Panel, HVAC Control . . . . .	25
Pilot Apply Manifold . . . . .	211, 213, 215, 217, 260
Pintle Hook . . . . .	293
Power Plug, Plug . . . . .	49
Pre-Cleaner, Air Filter . . . . .	67
Pressure Switch . . . . .	41, 59
Priority Valve . . . . .	258
Priority Valve . . . . .	203, 205, 258
Proportional Valve . . . . .	263, 269
PWP/WPS Control Module . . . . .	57
PWP/WPS Valve . . . . .	57, 215, 225, 227, 229, 231, 235, 237, 261
<b>R</b>	
Radiator . . . . .	71
Radio Remote Manifold . . . . .	263
Radio Remote Valve . . . . .	263
Radio Remote, System . . . . .	60, 61
Receiver, Radio Remote . . . . .	60
Rectifier Pack (HVAC) . . . . .	25
Regulator Valve, Transmission . . . . .	107

	PAGE
Relay . . . . .	25, 31
Relay, Engine Starter . . . . .	63
Relief Valve . . . . .	258, 259, 293
Remote Receiver . . . . .	61
Remote Stop Switch . . . . .	58
Remote Switch Enclosure . . . . .	58
Remote Transmitter . . . . .	60, 61
Resistor Block . . . . .	24
Ring Gear . . . . .	133, 143
Rotating-Carriage, Cylinder . . . . .	250, 285
 <b>S</b>	
Screen, Safety Right-Had Window . . . . .	09
Seat . . . . .	35
Seat Belt . . . . .	35
Sediment Bowl, Fuel . . . . .	07
Sender, Fuel Level . . . . .	49
Sender, Temperature . . . . .	77
Shifter . . . . .	33
Shut-Off, Manual . . . . .	29, 63
Sight Glass . . . . .	51
Slave Cylinder . . . . .	246
Slide Pad . . . . .	151, 154, 155, 163, 169, 175, 177, 183, 285
Spacer, Axle Stop . . . . .	121
Stabilizer Mount . . . . .	121, 123, 201
Steer Cylinder . . . . .	139
Steer Motor . . . . .	205, 256
Steer Select Valve . . . . .	257
Steering Wheel . . . . .	33
Strainer, Hydraulic OIL . . . . .	07, 51
Striker, Door . . . . .	17
Surge Tank . . . . .	71
Swing Cylinder . . . . .	287
Switch, Binary . . . . .	27
Switch, Clutch Cut-Out . . . . .	19
Switch, DPF Control . . . . .	19
Switch, Engine Fault . . . . .	19
Switch, E-Stop . . . . .	61
Switch, Hazard Lights . . . . .	19
Switch, Ignition . . . . .	19
Switch, Lights . . . . .	19
Switch, Outrigger . . . . .	53
Switch, Park Brake . . . . .	19
Switch, Proximity . . . . .	152, 166
Switch, Push-Button . . . . .	19
Switch, Steer Mode . . . . .	19
Switch, Strobe . . . . .	19
Switch, Toggle . . . . .	60, 61
Switch, Turn Signals . . . . .	19
Switch, Variable Speed . . . . .	24, 25
Switch, Wiper/Washer . . . . .	19
Switch, Work Platform . . . . .	19
System, Radio E-Stop . . . . .	59

	PAGE
<b>T</b>	
Tailpipe .....	.69
Tank, Fuel .....	.49
Tank, Hydraulic Oil .....	.51
Test Port .....	55, 77, 259, 269
Throttle, Electronic .....	.39
Tie Rod .....	129, 139
Tilt Cylinder .....	187, 247
Tire .....	121, 123
Transmission .....	.77, 103
Transmission Cooler .....	.71
Transmission Dipstick .....	.81
Transmission Oil Filter .....	.07, 87, 107
Truss Boom .....	.293
Turn Signal Flasher .....	.21, 23
<b>U</b>	
Universal Joint .....	.77
<b>V</b>	
Valve Stem .....	121, 123
Valve, 2-Way .....	.260
Valve, Check .....	.205
Valve, Double Port Check .....	.287, 291
Valve, Hydraulic .....	.207, 265
Valve, Outrigger .....	.55, 269
Valve, Priority .....	.203, 205, 258
Valve, PWP/WPS .....	.57, 215, 225, 227, 229, 231, 235, 237, 261
Valve, Steer Select .....	.205
Valve, Water .....	.24
Vent .....	129, 139, 143
<b>W</b>	
Water Sensor .....	.07
Wheel Hub .....	133, 143, 147
Wheel Nut .....	133
Wheel Rim .....	121, 123
Wiper .....	.13
Wiper Blade .....	.13
Wiper Motor .....	.13
Wire Harness, A/C Compressor .....	.27
Wire Harness, Canopy .....	.20
Wire Harness, ECU .....	.20, 63
Wire Harness, Engine .....	.63
Wire Harness, Frame .....	.20
Wire Harness, Front Wiper .....	.13
Wire Harness, Fuel Filters .....	.20
Wire Harness, Head Light .....	.23
Wire Harness, Jumper .....	.205, 257
Wire Harness, Light .....	.151
Wire Harness, Light Package .....	.20, 23
Wire Harness, Outriggers .....	.53, 55, 269



---

	<b>PAGE</b>
Wire Harness, PWP/WPS .....	.57
Wire Harness, Radio Remote .....	.59, 60, 61
Wire Harness, Rear Lights .....	.23
Wire Harness, Remote Switch .....	.58
Wire Harness, Stabilizer .....	.201, 262
Wire Harness, Throttle .....	.39, 63
Wire Harness, Tilt Control .....	.260
Wire Harness, Top Wiper .....	.13
Wire Harness, Tri-Function Control .....	.211, 213, 215, 217
Wire Harness, Washer Bottle .....	.13
Work Light .....	.151, 165
Wrap, Battery .....	.49

**REFERENCE  
O-RING TABLES**

<b>O-Ring Table — Male Boss Fittings</b>				
	Fitting Thread Size	Diameter "A"	Diameter "B"	Part Number
	9/16 - 18	0.468	0.078	055897
	3/4 - 16	0.644	0.087	055896
	7/8 - 14	0.755	0.097	055898
	1-1/16 - 12	0.924	0.116	048953
	1-5/16 - 12	1.171	0.116	058674
	1-5/8 - 12	1.475	0.118	077970
	A/C #6	0.312	0.453	138777
	A/C #8	0.437	0.578	138778
	A/C #10	0.562	0.703	138779

<b>O-Ring Table — Air Conditioning Fittings</b>				
	A/C Fitting	Diameter "A"	Diameter "B"	Part Number
	A/C #6	0.312	0.453	138777
	A/C #8	0.437	0.578	138778
	A/C #10	0.562	0.703	138779

<b>O-Ring Table — Face Seal Fittings</b>					
	Fitting Thread Size	Tube O.D.	Diameter "A"	Thickness "B"	Part Number
	9/16 - 18	1/4	0.301	0.070	50300165
	11/16 - 16	3/8	0.364	0.070	50300166
	13/16 - 16	1/2	0.489	0.070	50300167
	1-14 - 14	5/8	0.614	0.070	135124
	1-13/16 - 12	3/4	0.739	0.070	137205
	1-7/16 - 12	1	0.926	0.070	50300168

**REFERENCE  
ADAPTER (FITTINGS) TORQUE GUIDE**

Use these torque values when tightening hydraulic, fuel, or coolant adapters (fittings).

<b>SAE "O-Ring" Boss (Steel) Adapters</b>					
<b>Size</b>		<b>Pounds-Force Foot (lb.-ft.)</b>		<b>Newton Meter (N-m)</b>	
Dash	Fractional	Minimum	Maximum	Minimum	Maximum
-3	3/16	8	10	11	13
-4	1/4	14	16	19	21
-5	5/16	18	20	24	27
-6	3/8	24	26	32	35
-8	1/2	50	60	68	81
-10	5/8	72	80	97	108
-12	3/4	125	135	170	183
-14	7/8	160	180	216	244
-16	1	200	220	271	298
-20	1-1/4	210	280	285	380
-24	1-1/2	270	360	366	488

<b>JIC 37° and 45° (Machined or Flared) Adapters</b>					
<b>Size</b>		<b>Pounds-Force Foot (lb.-ft.)</b>		<b>Newton Meter (N-m)</b>	
Dash	Fractional	Minimum	Maximum	Minimum	Maximum
-4	1/4	10	11	13	15
-5	5/16	13	15	17	20
-6	3/8	17	19	23	26
-8	1/2	34	38	46	51
-10	5/8	50	56	68	78
-12	3/4	70	78	95	106
-16	1	94	104	127	141
-20	1-1/4	124	138	168	187
-24	1-1/2	156	173	211	234
-32	2	219	243	297	329

# REFERENCE

## METRIC BOLT TORQUE GUIDE

Use these torque values when tightening hardware—excluding: lock nuts, thread-forming, self-tapping, and metal screws—unless otherwise specified.

Metric Coarse-Pitch Thread—(DRY)	All torque values are in Foot-Pounds and Newton Meters (Nm).				
	DIN 912, DIN 931, DIN 933, etc...			DIN 7984	
	8.8	10.9	12.9	8.8	10.9
M5	4.1 (5.5)	6 (8)	7 (10)	4 (5)	5 (7)
M6	7 (10)	10 (14)	13 (17)	6.3 (8.5)	9 (12)
M8	18 (25)	26 (35)	31 (42)	15 (20)	22 (30)
M10	33 (45)	48 (65)	59 (80)	30 (40)	44 (59)
M12	64 (87)	81 (110)	108 (147)	51 (69)	74 (100)
M14	100 (135)	133 (180)	170 (230)	81 (110)	118 (160)
M16	155 (210)	203 (275)	258 (350)	125 (170)	184 (250)
M18	207 (280)	302 (410)	354 (480)	181 (245)	254 (345)
M20	302 (410)	420 (570)	509 (690)	251 (340)	361 (490)
M22	406 (550)	575 (780)	686 (930)	339 (460)	487 (660)
M24	524 (710)	738 (1000)	878 (1190)	435 (590)	620 (840)
M27	767 (1040)	1092 (1480)	1305 (1770)	642 (870)	922 (1250)
M30	1047 (1420)	1482 (2010)	1770 (2400)	885 (1200)	1254 (1700)



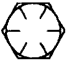
Metric Coarse-Pitch Thread—(OILED)	All torque values are in Foot-Pounds and Newton Meters (Nm).				
	DIN 912, DIN 931, DIN 933, etc...				
	8.8	10.9	12.9		
M6-1	6 (8)	8 (11)	10 (14)		
M8-1.25	14 (19)	20 (27)	24 (33)		
M10-1.5	28 (38)	39 (53)	47 (63)		
M12-1.75	48 (65)	68 (91)	82 (111)		
M14-2	77 (103)	108 (146)	131 (177)		
M16-2	118 (160)	166 (224)	200 (271)		

Metric Fine-Pitch Thread—(DRY)	All torque values are in Foot-Pounds and Newton Meters (Nm).				
	DIN 912, DIN 931, DIN 933, etc...			DIN 7984	
	8.8	10.9	12.9	8.8	10.9
M8X1.0	18 (25)	27 (37)	32 (43)	16 (22)	24 (32)
M10X1.0	37 (50)	55 (75)	65 (88)	32 (43)	48 (65)
M10X1.25	36 (49)	52 (71)	61 (83)	31 (42)	46 (62)
M12X1.25	64 (87)	96 (130)	111 (150)	55 (75)	81 (110)
M12X1.5	61 (83)	92 (125)	107 (145)	53 (72)	77 (105)
M14X1.5	100 (135)	148 (200)	173 (235)	89 (120)	129 (175)
M16X1.5	155 (210)	229 (310)	266 (360)	133 (180)	195 (265)
M18X1.5	232 (315)	332 (450)	391 (530)	199 (270)	284 (385)
M20X1.5	325 (440)	465 (630)	538 (730)	277 (375)	391 (530)
M22X1.5	435 (590)	620 (840)	723 (980)	369 (500)	524 (710)
M24X2.0	546 (740)	789 (1070)	922 (1250)	465 (630)	664 (900)
M27X2.0	811 (1100)	1143 (1550)	1328 (1800)	679 (920)	959 (1300)
M30X2.0	1106 (1500)	1586 (2150)	1844 (2500)	959 (1300)	1364 (1850)

## REFERENCE SAE BOLT TORQUE GUIDE

Use these torque values when tightening hardware—excluding: lock nuts, thread-forming, self-tapping, and metal screws—unless otherwise specified.

**NOTE:** All torque values are in foot-pounds (lb.-ft.), except those marked with asterisks (\*), which are in inch-pounds (lb.-in.). To convert lb.-ft. to Newton Meter (Nm)—metric—torque values, multiply the lb.-ft. value by 1.355, or for inch pounds, multiply the lb.-in. value by 0.113.

Unified National Thread	Grade 2 		Grade 5 		Grade 8 	
	Dry	Oiled	Dry	Oiled	Dry	Oiled
8-32	19*	14*	30*	22*	41*	31*
8-36	20*	15*	31*	23*	43*	32*
10-24	27*	21*	43*	32*	60*	45*
10-32	31*	23*	49*	36*	68*	51*
1/4-20	66*	50*	9	75*	12	9
1/4-28	76*	56*	10	86*	14	10
5/16-18	11	9	17	13	25	18
5/16/24	12	9	19	14	25	20
3/8-16	20	15	30	23	45	35
3/8-24	23	17	35	25	50	35
7/16-14	32	24	50	35	70	55
7/16-20	36	27	55	40	80	60
1/2-13	35	35	75	55	110	80
1/2-20	40	40	90	65	120	90
9/16-12	55	55	110	80	150	110
9/16-18	60	60	120	90	170	130
5/8-11	75	75	150	110	220	170
5/8-18	85	85	180	130	240	180
3/4-10	130	130	260	200	380	280
3/4-16	150	150	300	220	420	320
7/8-9	125	125	430	320	600	460
7/8-14	140	140	470	630	660	500
1-8	190	190	640	480	900	680
1-14	210	210	710	530	1000	740

\* Value shown is in pound-force inch (lb.-in.)—inch pounds.

# GEHL®

Manitou Americas, Inc.  
One Gehl Way  
P. O. Box 179  
West Bend, WI 53095-0179 U.S.A  
[www.gehl.com](http://www.gehl.com)