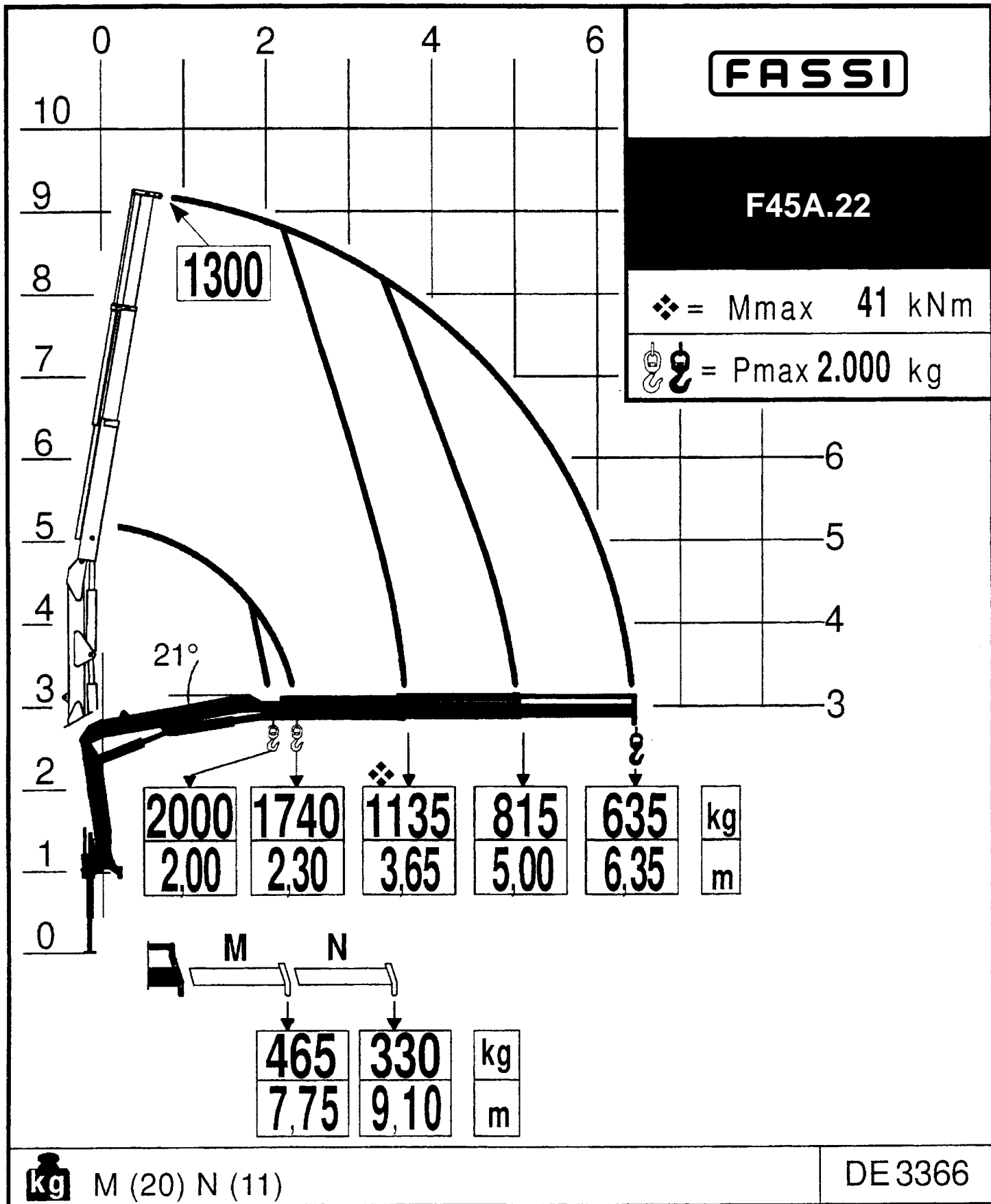


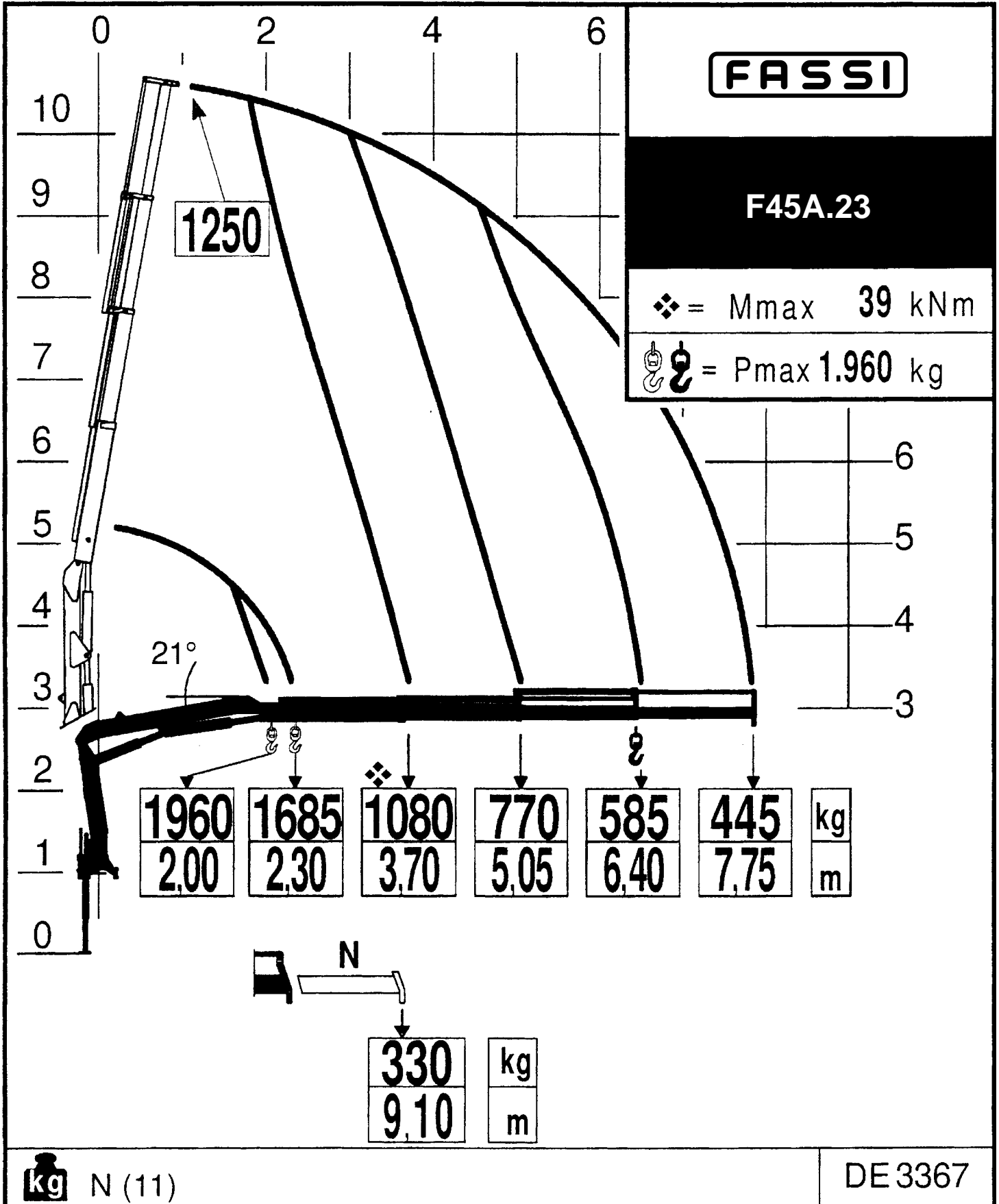
Via dei Carmelitani, 2
24021 Albino BG
tel. ++39 35 776400
fax ++39 35 755020
www.fassigroup.com
fassi@fassigroup.com

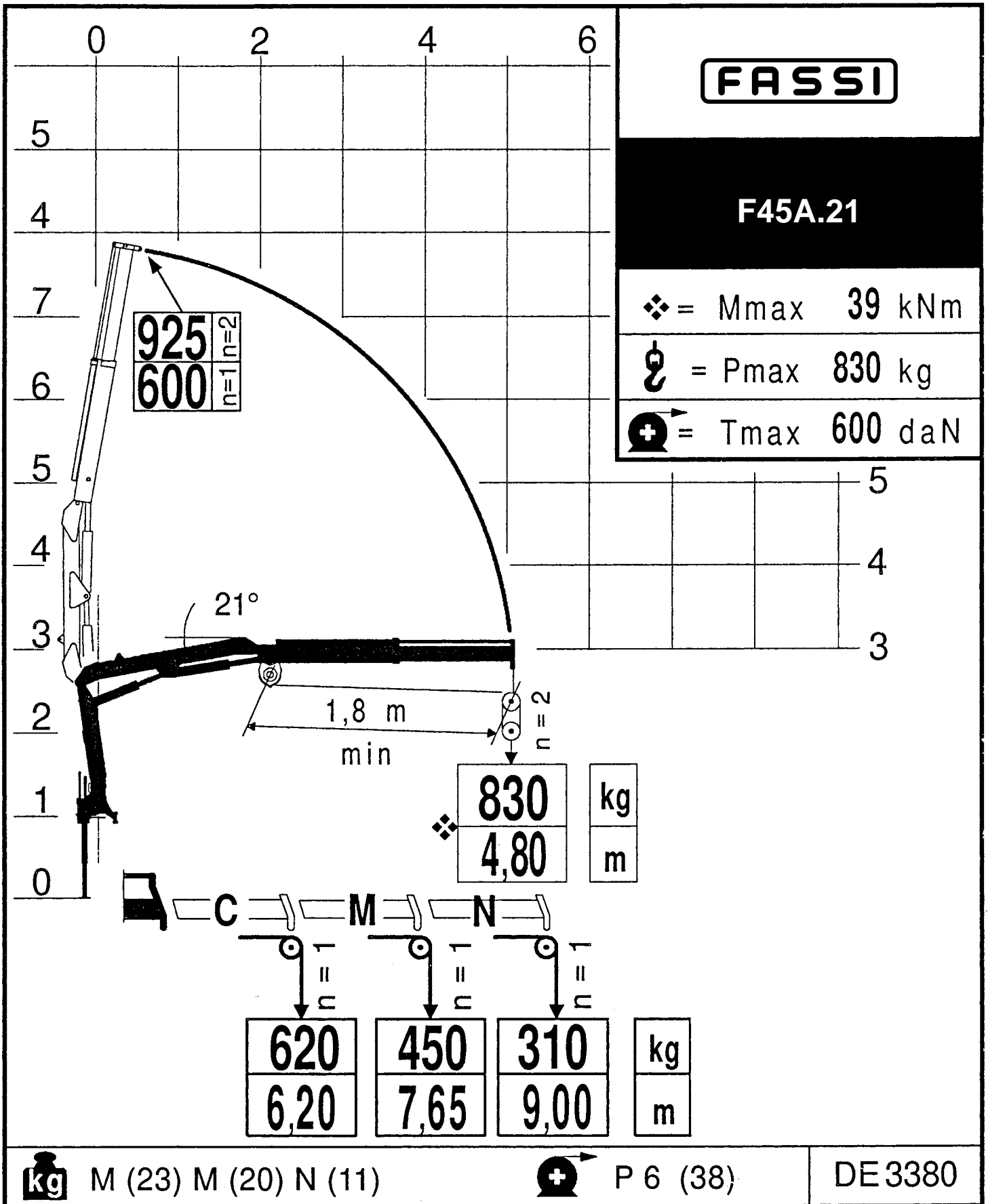
LOAD DIAGRAM WITH LIFTING MOMENT LIMITING DEVICE



Via dei Carmelitani, 2
24021 Albino BG
tel. ++39 35 776400
fax ++39 35 755020
www.fassigroup.com
fassi@fassigroup.com

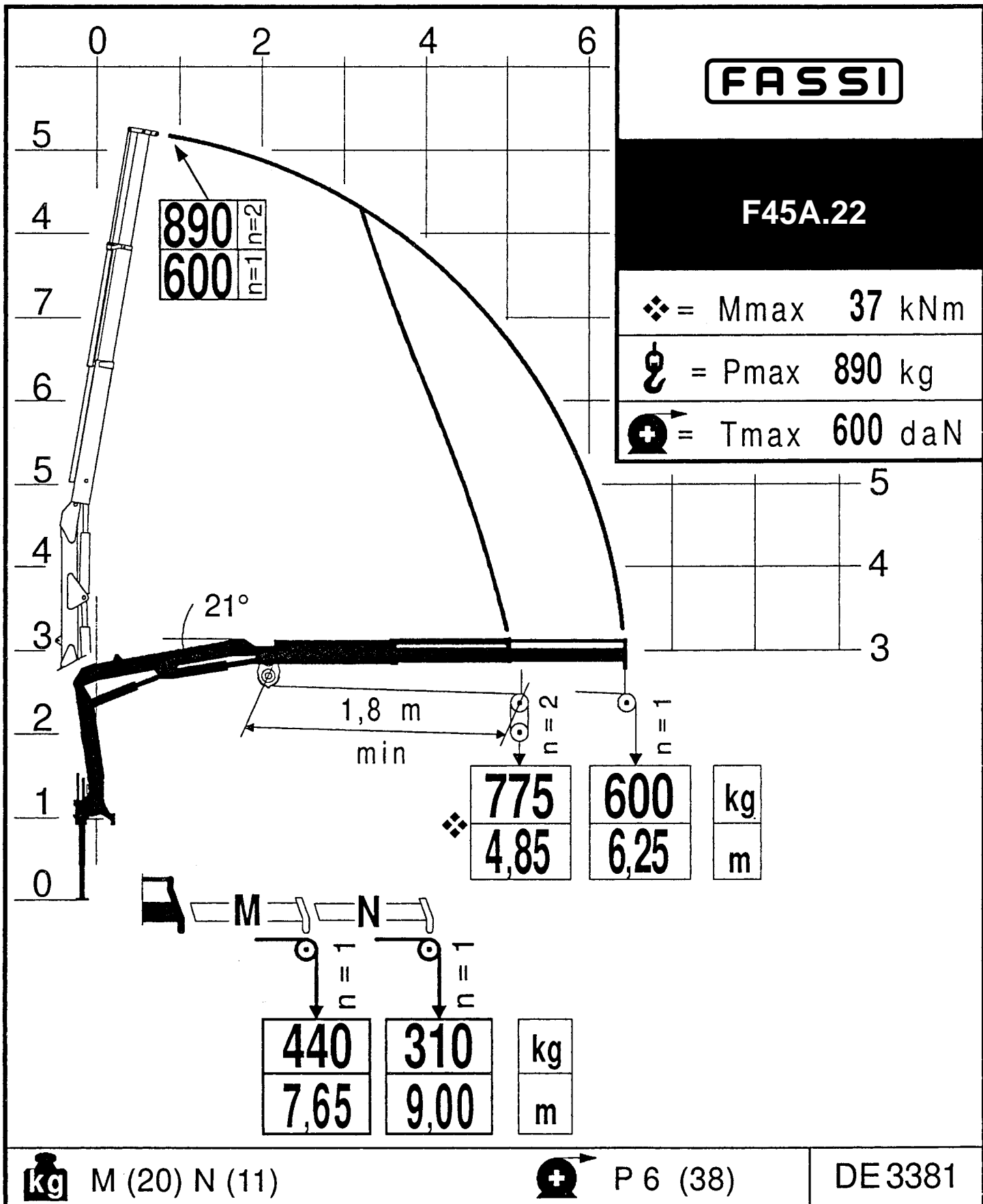
LOAD DIAGRAM WITH LIFTING MOMENT LIMITING DEVICE





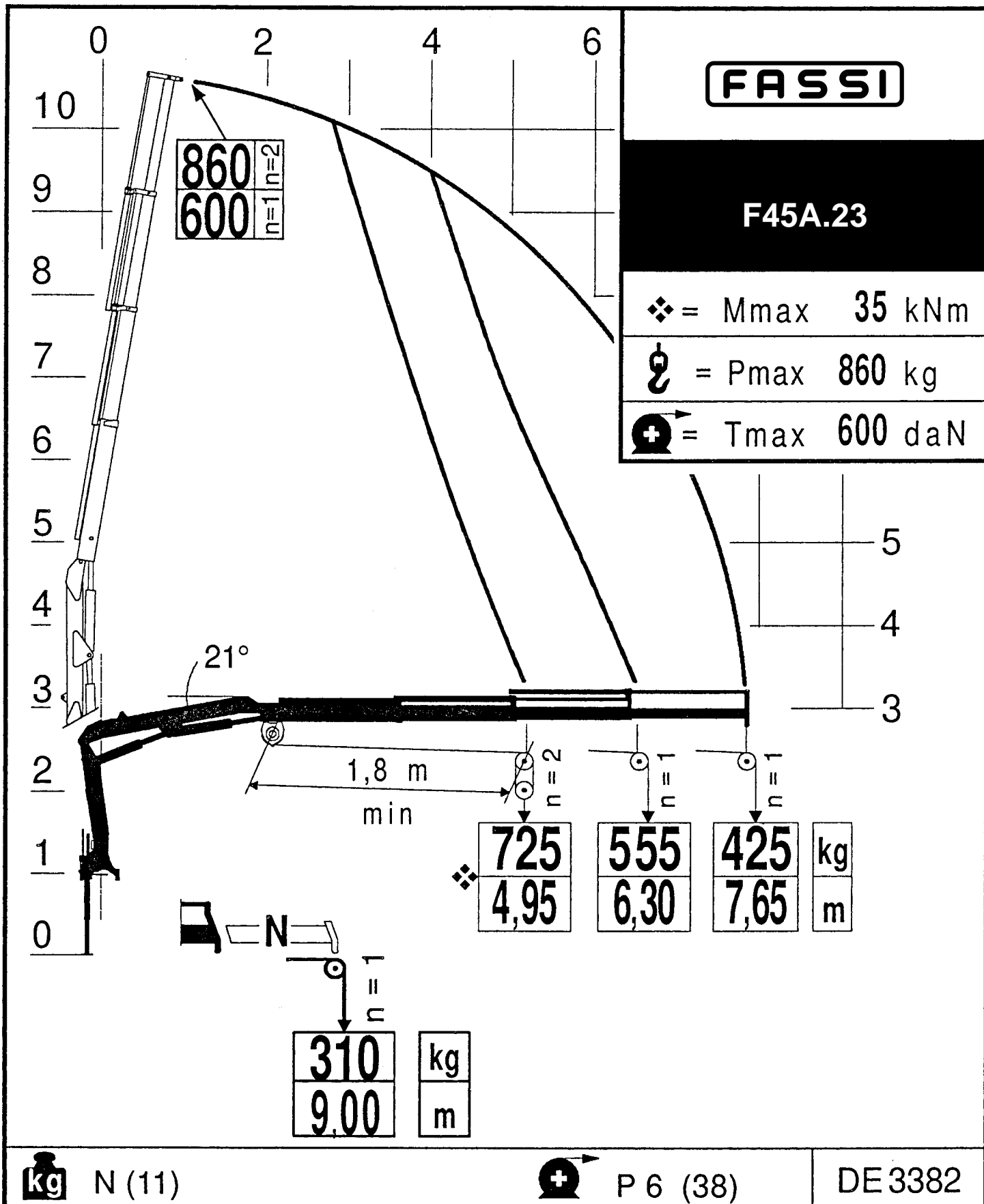
Via dei Carmelitani, 2
24021 Albino BG
tel. ++39 35 776400
fax ++39 35 755020
www.fassigroup.com
fassi@fassigroup.com

LOAD DIAGRAM WITH WINCH WITH LIFTING MOMENT LIMITING DEVICE



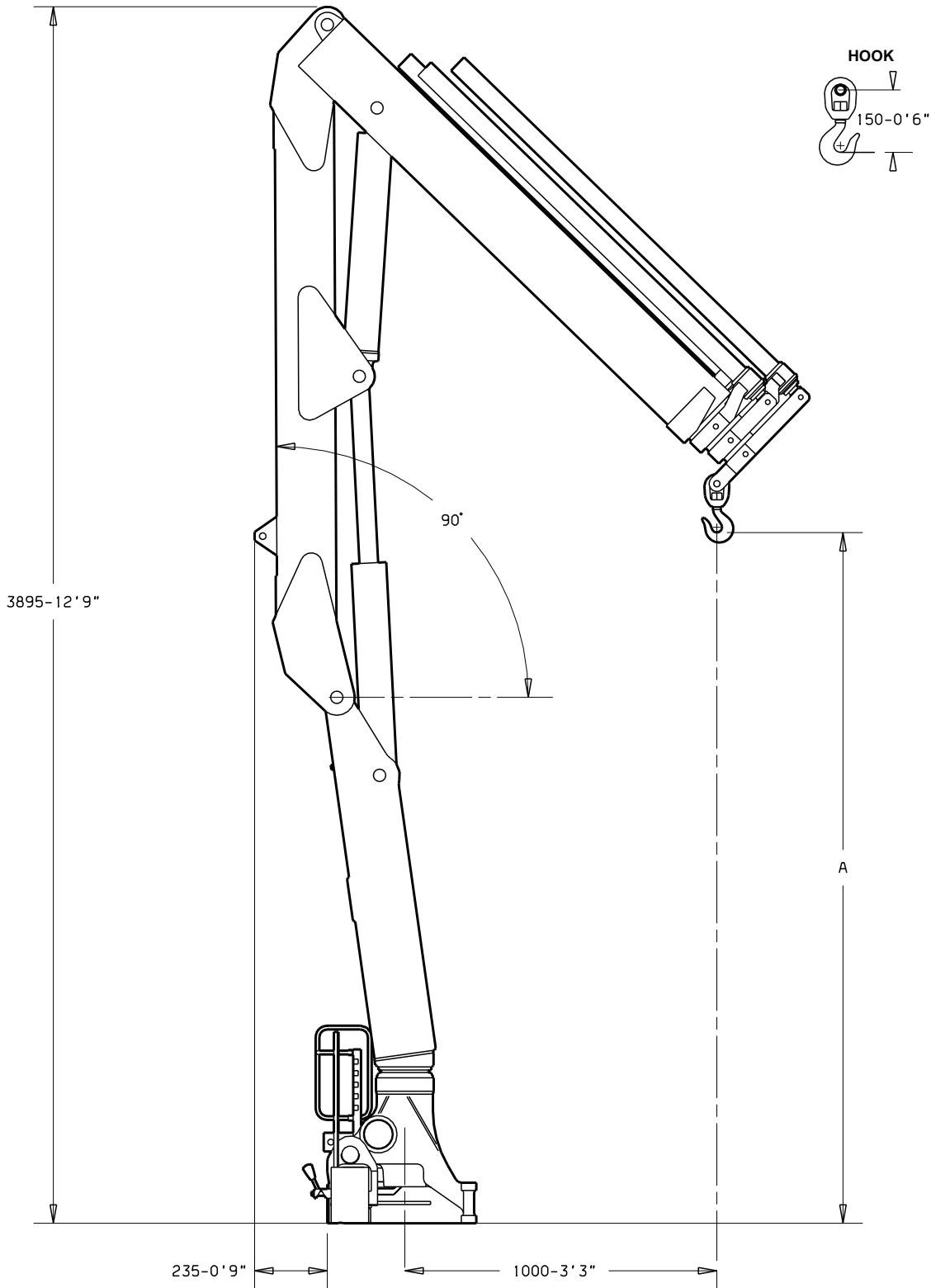
Via dei Carmelitani, 2
24021 Albino BG
tel. ++39 35 776400
fax ++39 35 755020
www.fassigroup.com
fassi@fassigroup.com

LOAD DIAGRAM WITH WINCH WITH LIFTING MOMENT LIMITING DEVICE



Via dei Carmelitani, 2
 24021 Albino BG
 tel. ++39 35 776400
 fax ++39 35 755020
 www.fassigroup.com
 fassi@fassigroup.com

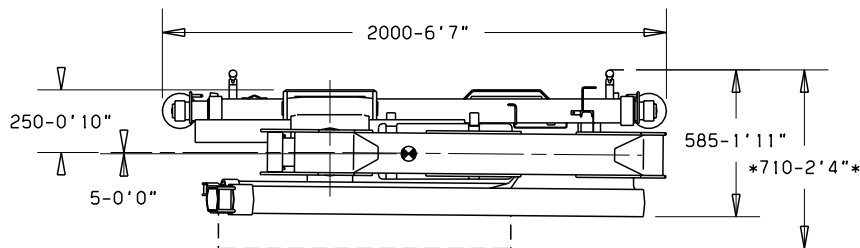
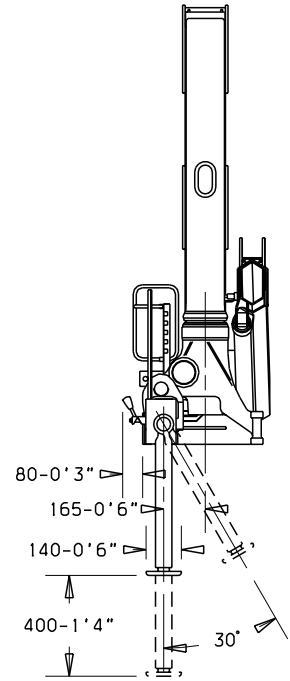
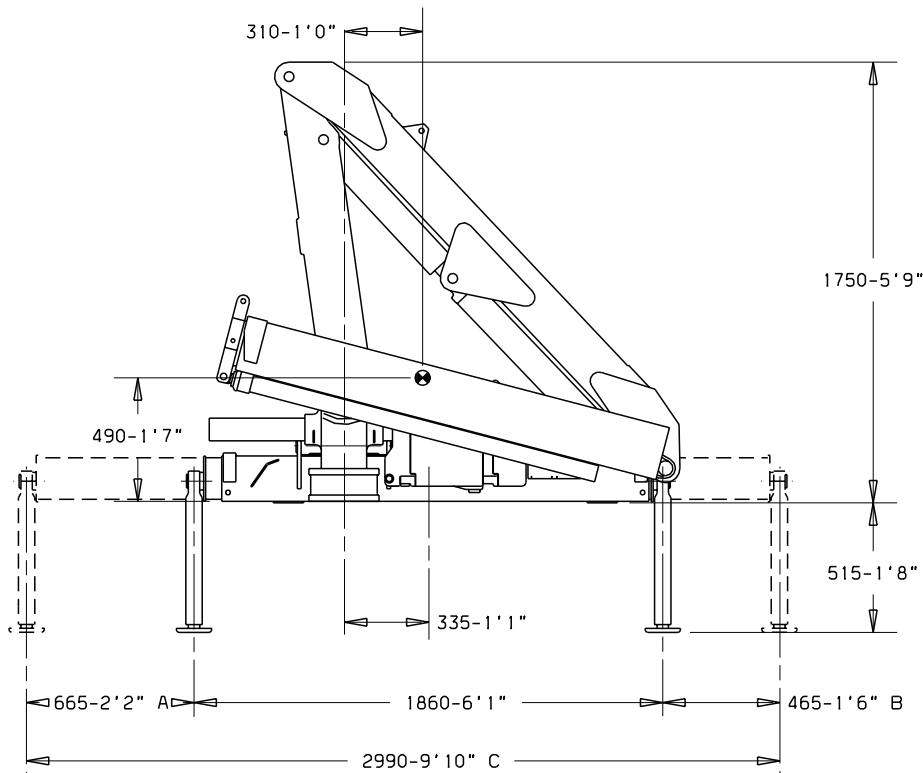
MAXIMUM HEIGHT UNDER HOOK



	A	
F40.21	2380	7'10"
F40.22	2295	7'6"
F40.23	2215	7'3"

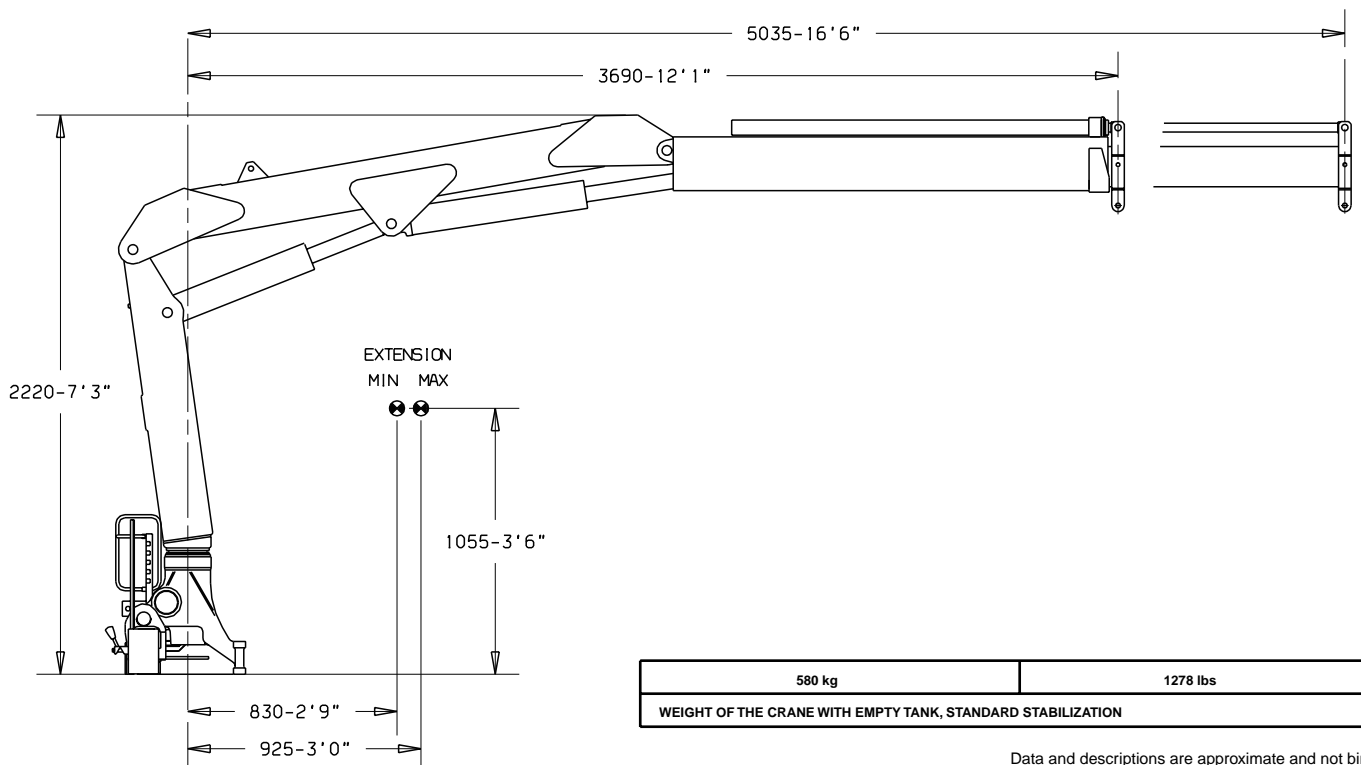
Via dei Carmelitani, 2
24021 Albino BG
tel. ++39 35 776400
fax ++39 35 755020
www.fassigroup.com
fassi@fassigroup.com

WEIGHT, DIMENSIONS AND BARYCENTRE POSITION



	EXTRA		SUPER-EXTRA	
A	1035	3'5"	A	1750 5'9"
B	785	2'7"	B	1190 3'11"
C	3680	12'1"	C	4800 15'9"

** WITH SUPPLEMENTARY HOSES

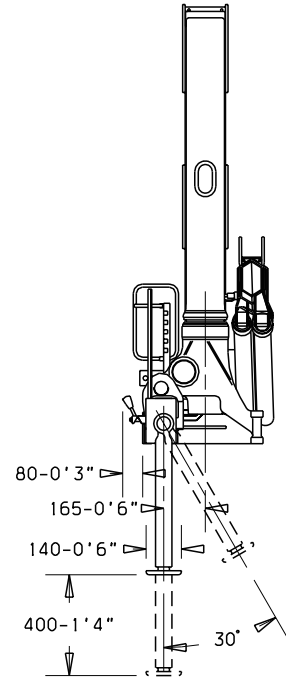
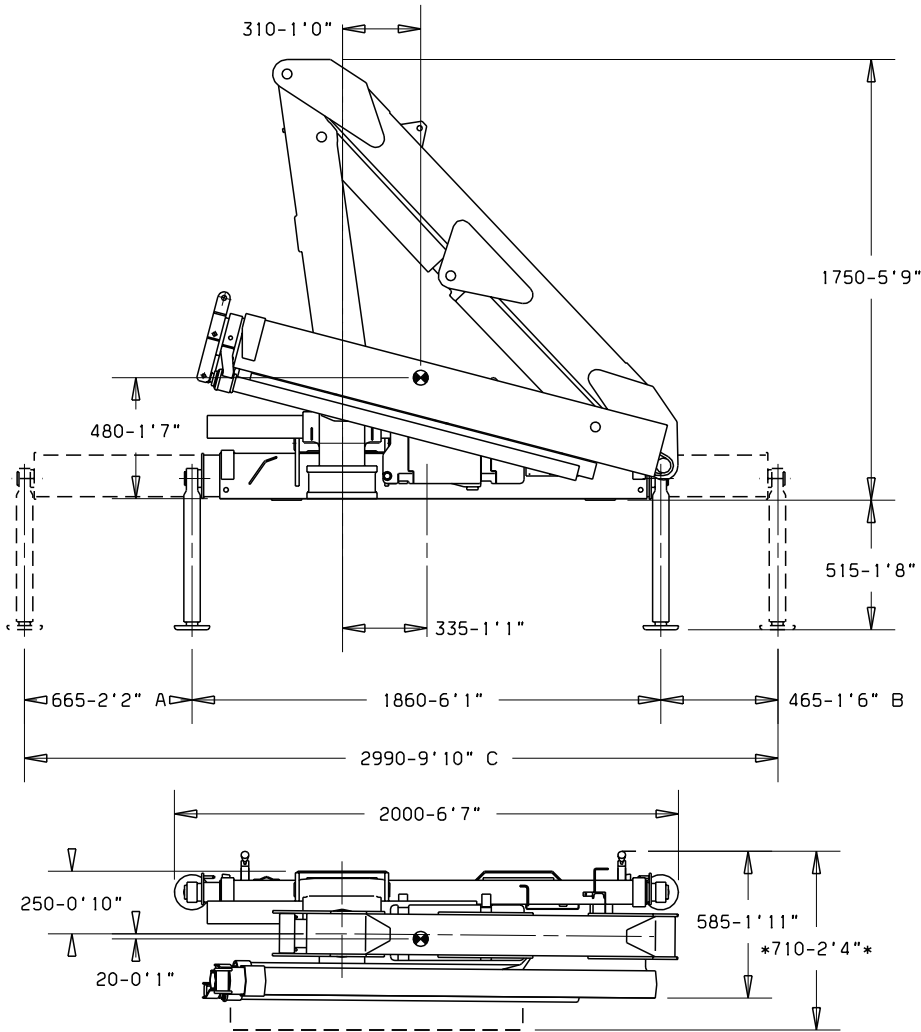


580 kg	1278 lbs
WEIGHT OF THE CRANE WITH EMPTY TANK, STANDARD STABILIZATION	

Data and descriptions are approximate and not binding

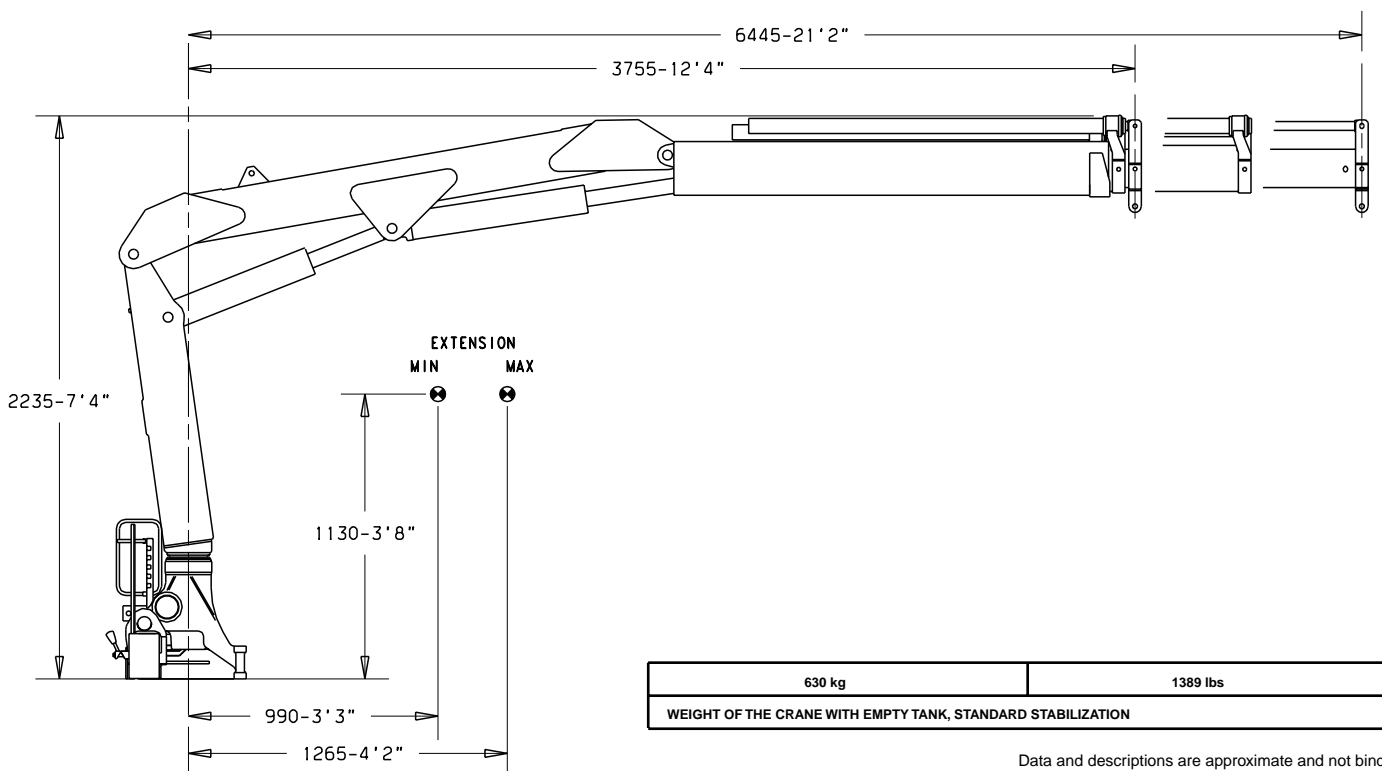
Via dei Carmelitani, 2
24021 Albino BG
tel. ++39 35 776400
fax ++39 35 755020
www.fassigroup.com
fassi@fassigroup.com

WEIGHT, DIMENSIONS AND BARYCENTRE POSITION



	EXTRA		SUPER-EXTRA	
A	1035	3'5"	A	1750 5'9"
B	785	2'7"	B	1190 3'11"
C	3680	12'1"	C	4800 15'9"

** WITH SUPPLEMENTARY HOSES

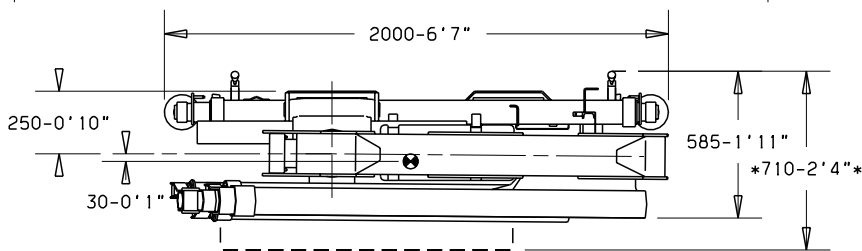
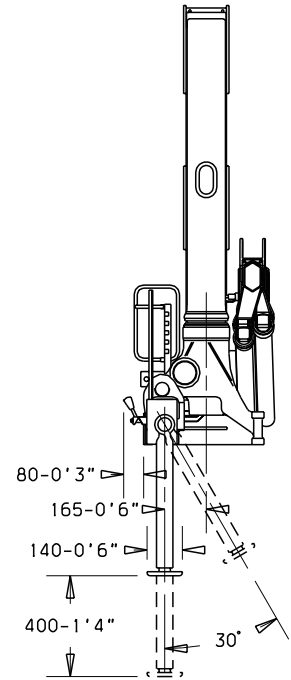
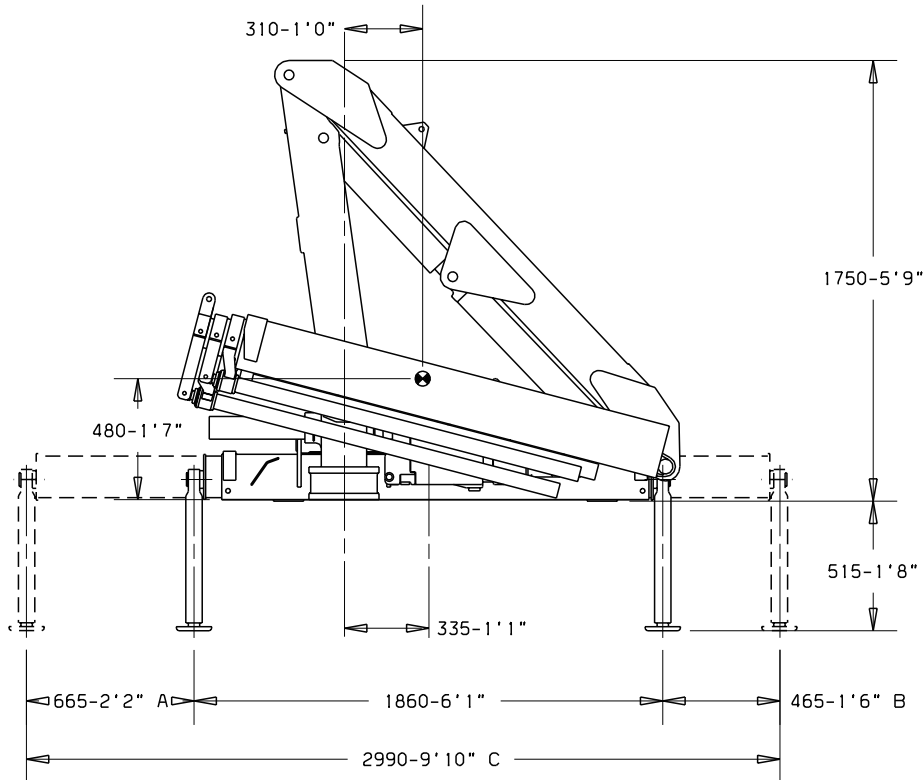


630 kg	1389 lbs
WEIGHT OF THE CRANE WITH EMPTY TANK, STANDARD STABILIZATION	

Data and descriptions are approximate and not binding

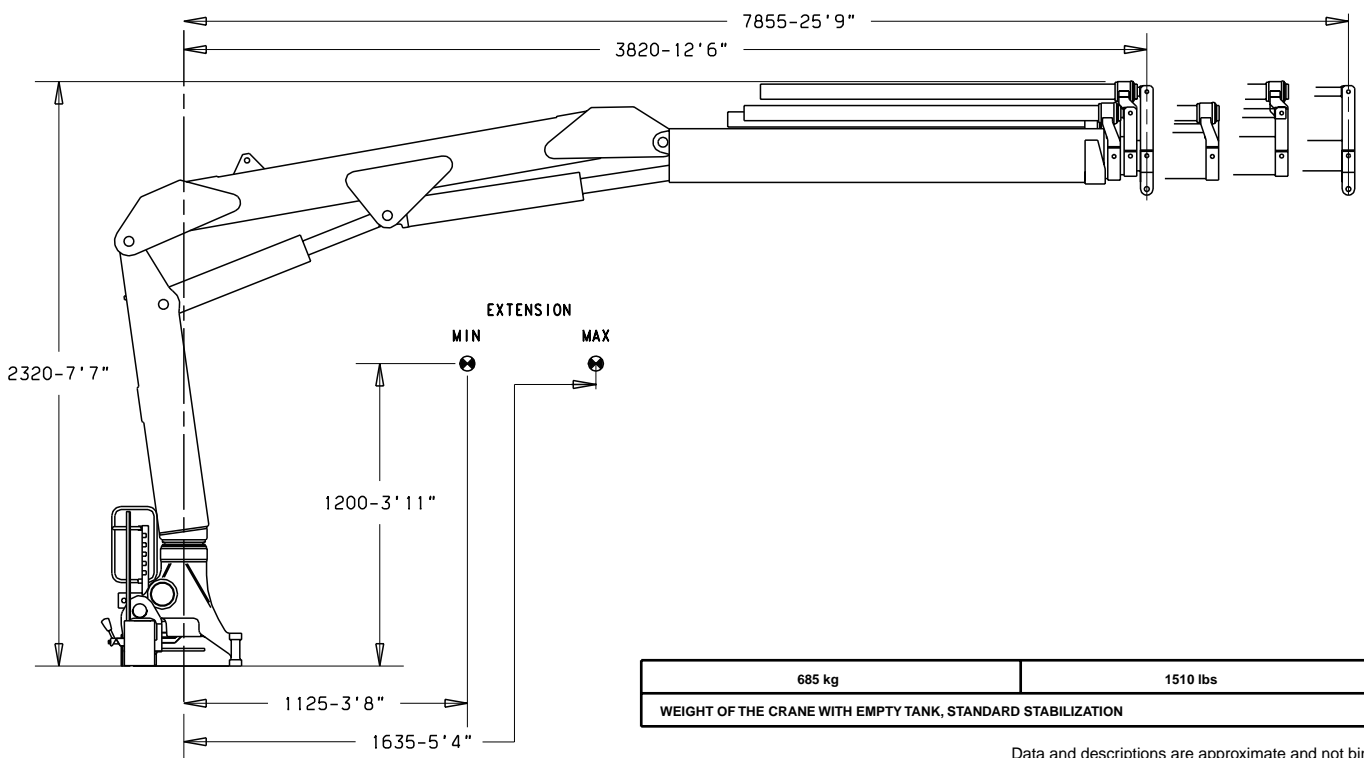
Via dei Carmelitani, 2
24021 Albino BG
tel. ++39 35 776400
fax ++39 35 755020
www.fassigroup.com
fassi@fassigroup.com

WEIGHT, DIMENSIONS AND BARYCENTRE POSITION



	EXTRA		SUPER-EXTRA	
A	1035	3'5"	A	1750 5'9"
B	785	2'7"	B	1190 3'11"
C	3680	12'1"	C	4800 15'9"

** WITH SUPPLEMENTARY HOSES

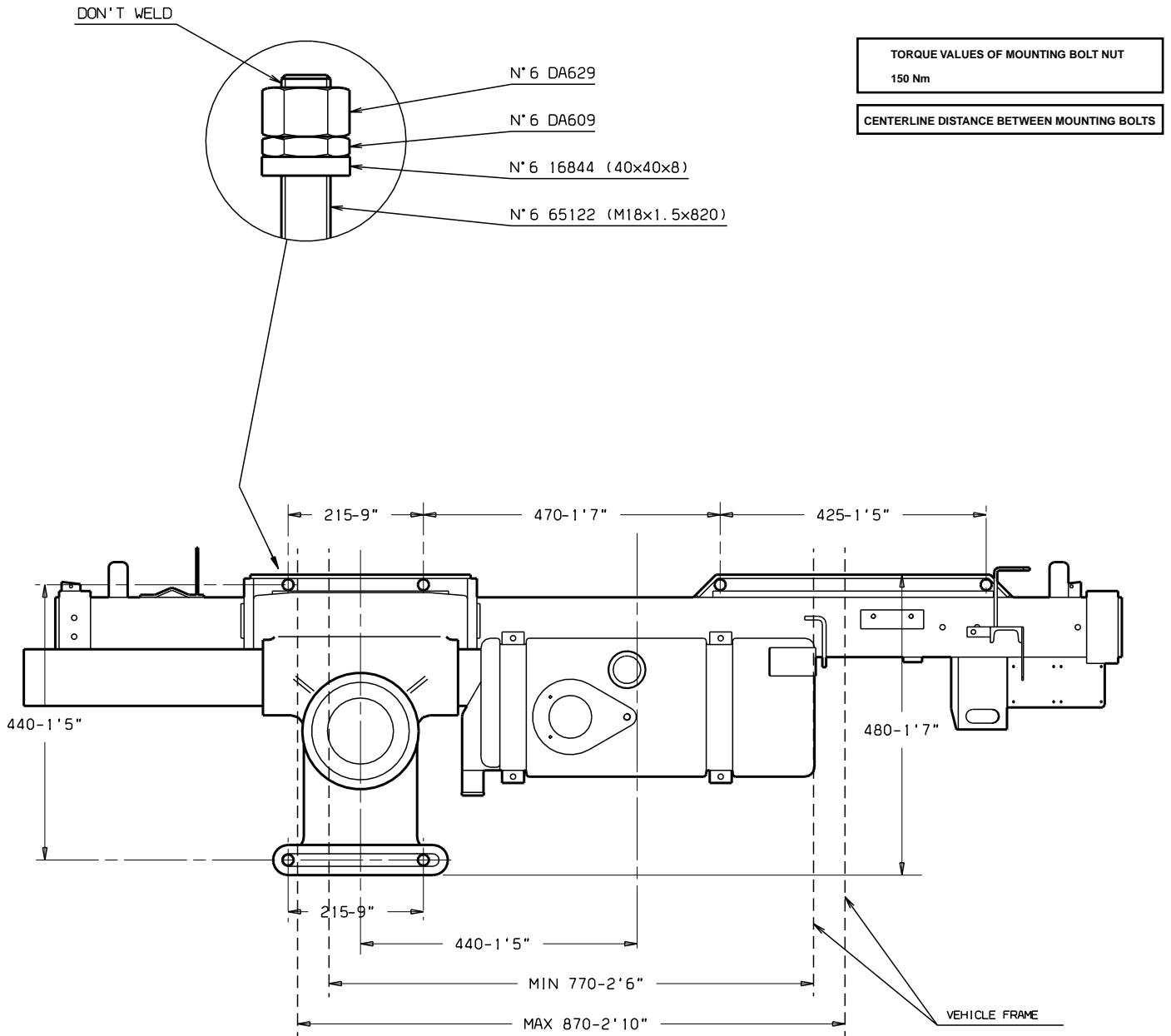


685 kg	1510 lbs
WEIGHT OF THE CRANE WITH EMPTY TANK, STANDARD STABILIZATION	

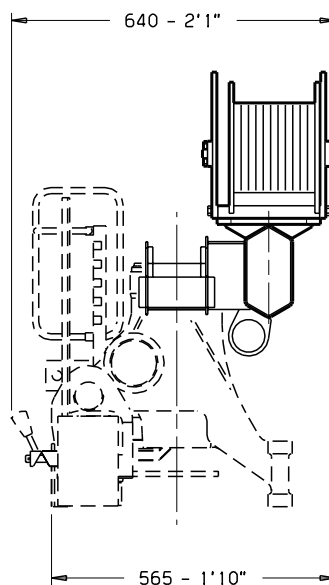
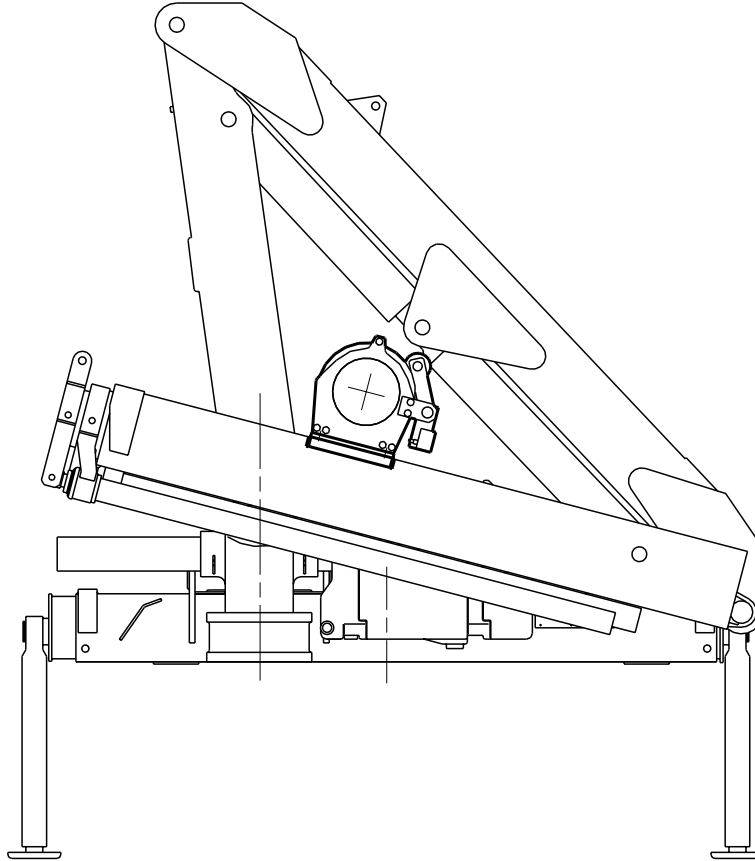
Data and descriptions are approximate and not binding

Via dei Carmelitani, 2
 24021 Albino BG
 tel. ++39 35 776400
 fax ++39 35 755020
 www.fassigroup.com
 fassi@fassigroup.com

LOCATION OF MOUNTING BOLTS

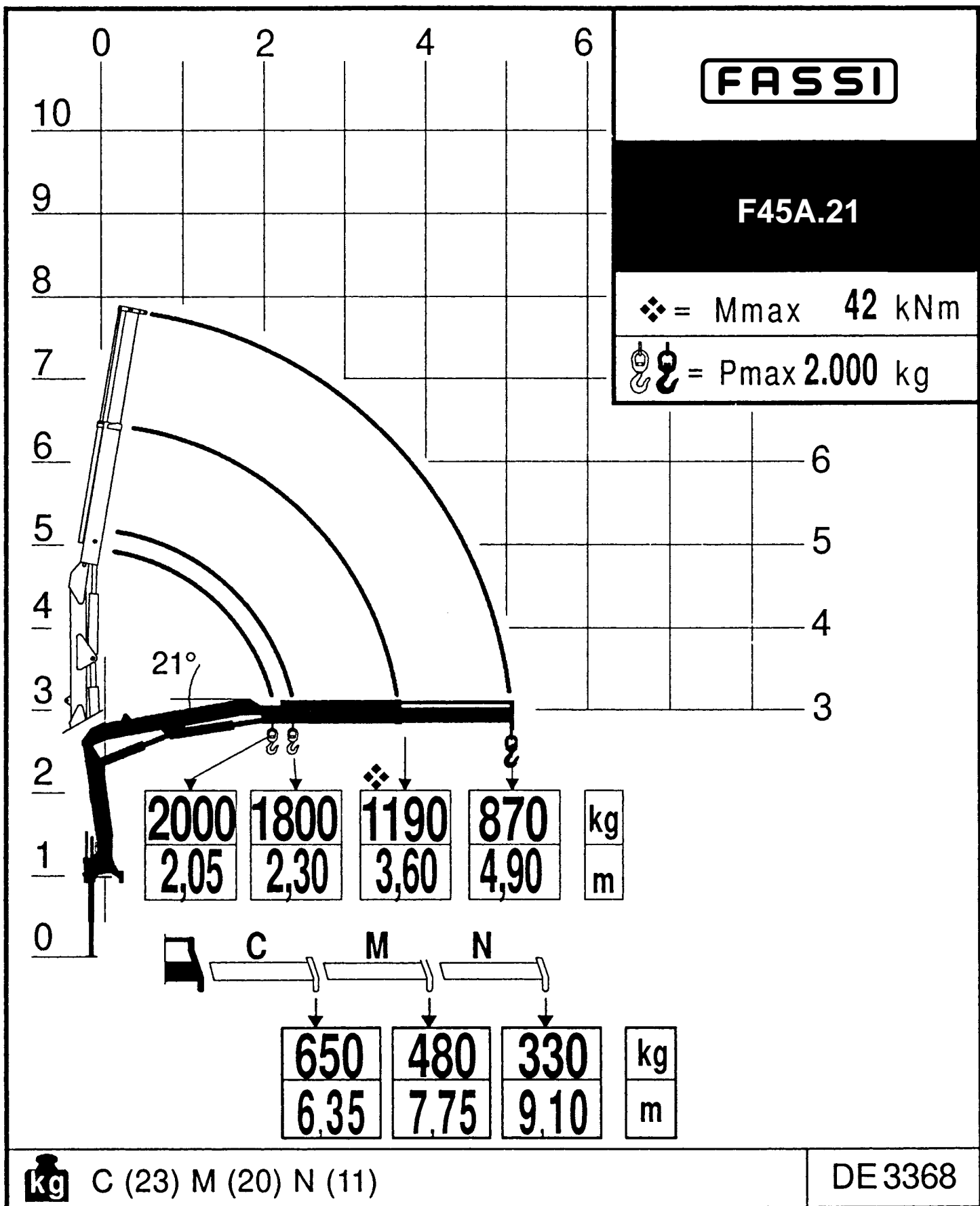


Via dei Carmelitani, 2
24021 Albino BG
tel. ++39 35 776400
fax ++39 35 755020
www.fassigroup.com
fassi@fassigroup.com

OVERALL DIMENSIONS OF THE CRANE WITH WINCH**P6**

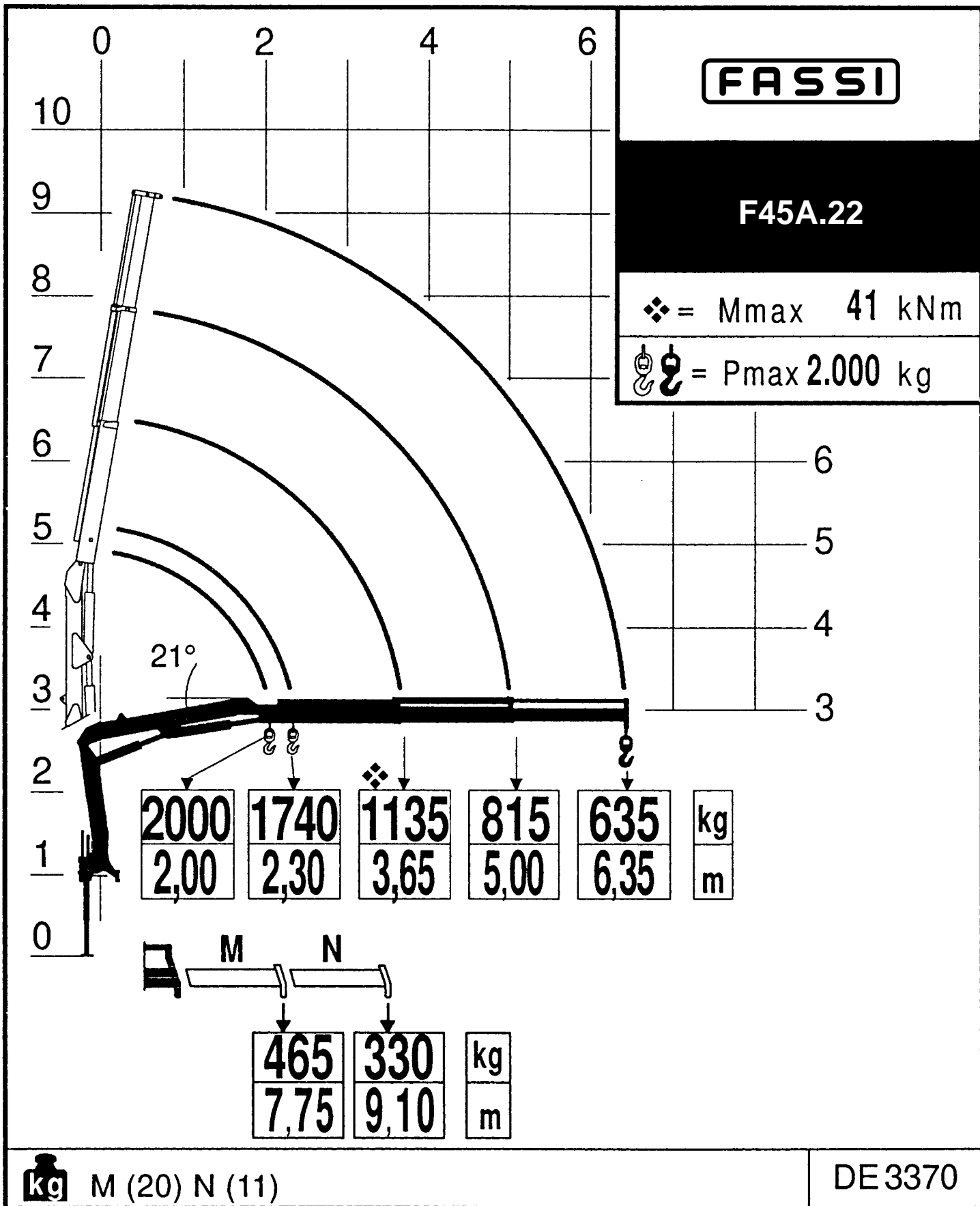
Via dei Carmelitani, 2
24021 Albino BG
tel. ++39 35 776400
fax ++39 35 755020
www.fassigroup.com
fassi@fassigroup.com

LOAD DIAGRAM WITHOUT LIFTING MOMENT LIMITING DEVICE



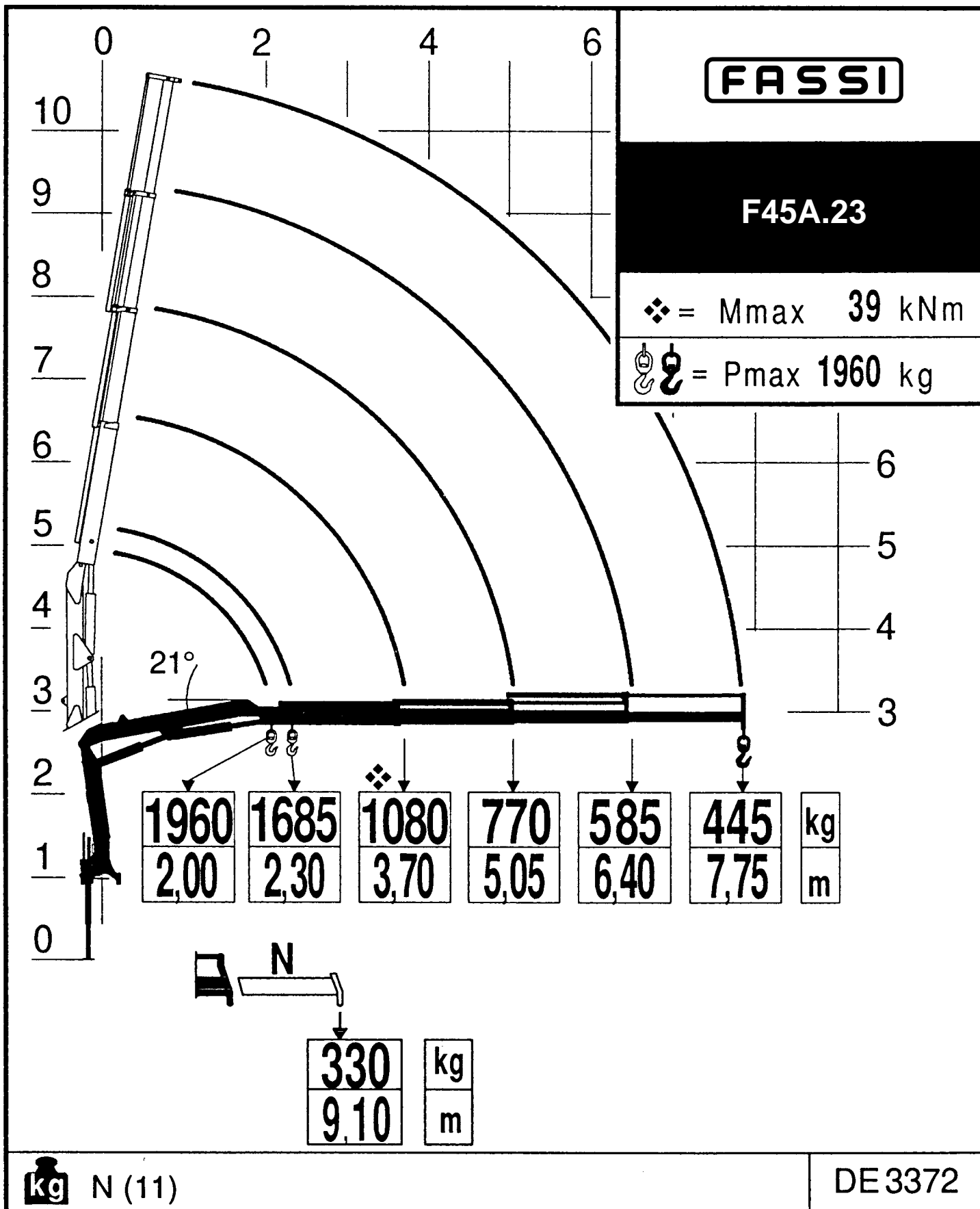
Via dei Carmelitani, 2
24021 Albino BG
tel. ++39 35 776400
fax ++39 35 755020
www.fassigroup.com
fassi@fassigroup.com

LOAD DIAGRAM WITHOUT LIFTING MOMENT LIMITING DEVICE



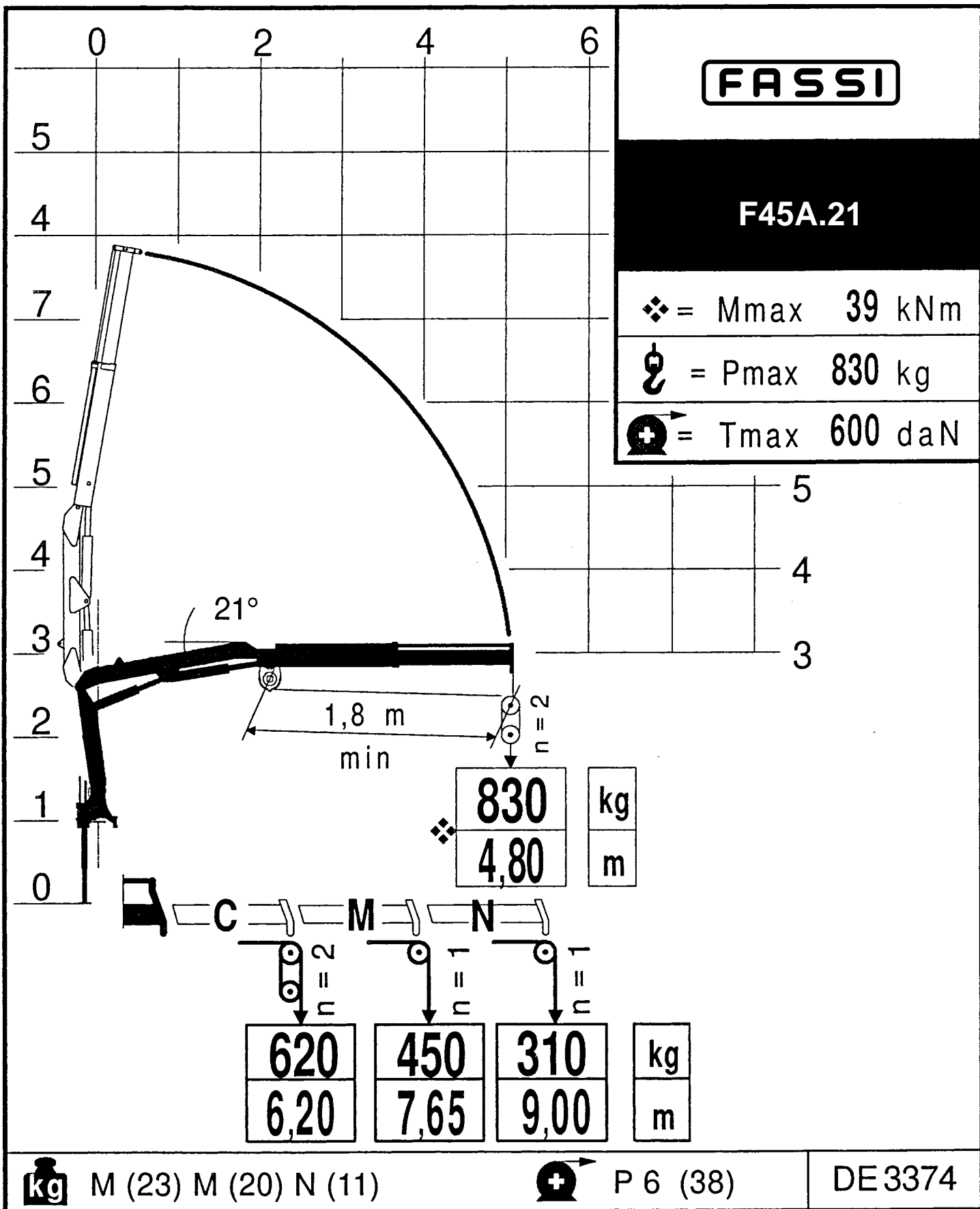
Via dei Carmelitani, 2
24021 Albino BG
tel. ++39 35 776400
fax ++39 35 755020
www.fassigroup.com
fassi@fassigroup.com

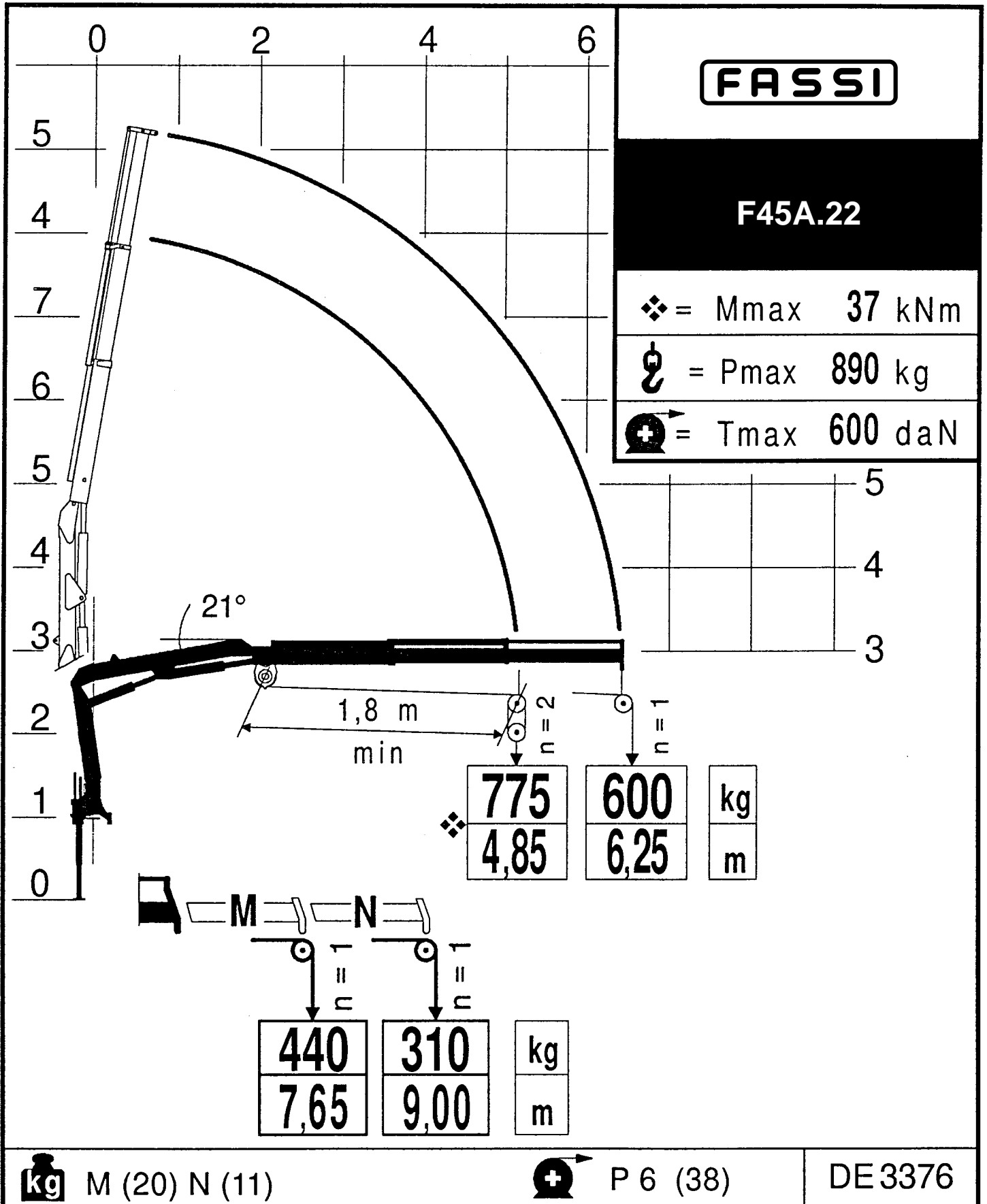
LOAD DIAGRAM WITHOUT LIFTING MOMENT LIMITING DEVICE



Via dei Carmelitani, 2
24021 Albino BG
tel. ++39 35 776400
fax ++39 35 755020
www.fassigroup.com
fassi@fassigroup.com

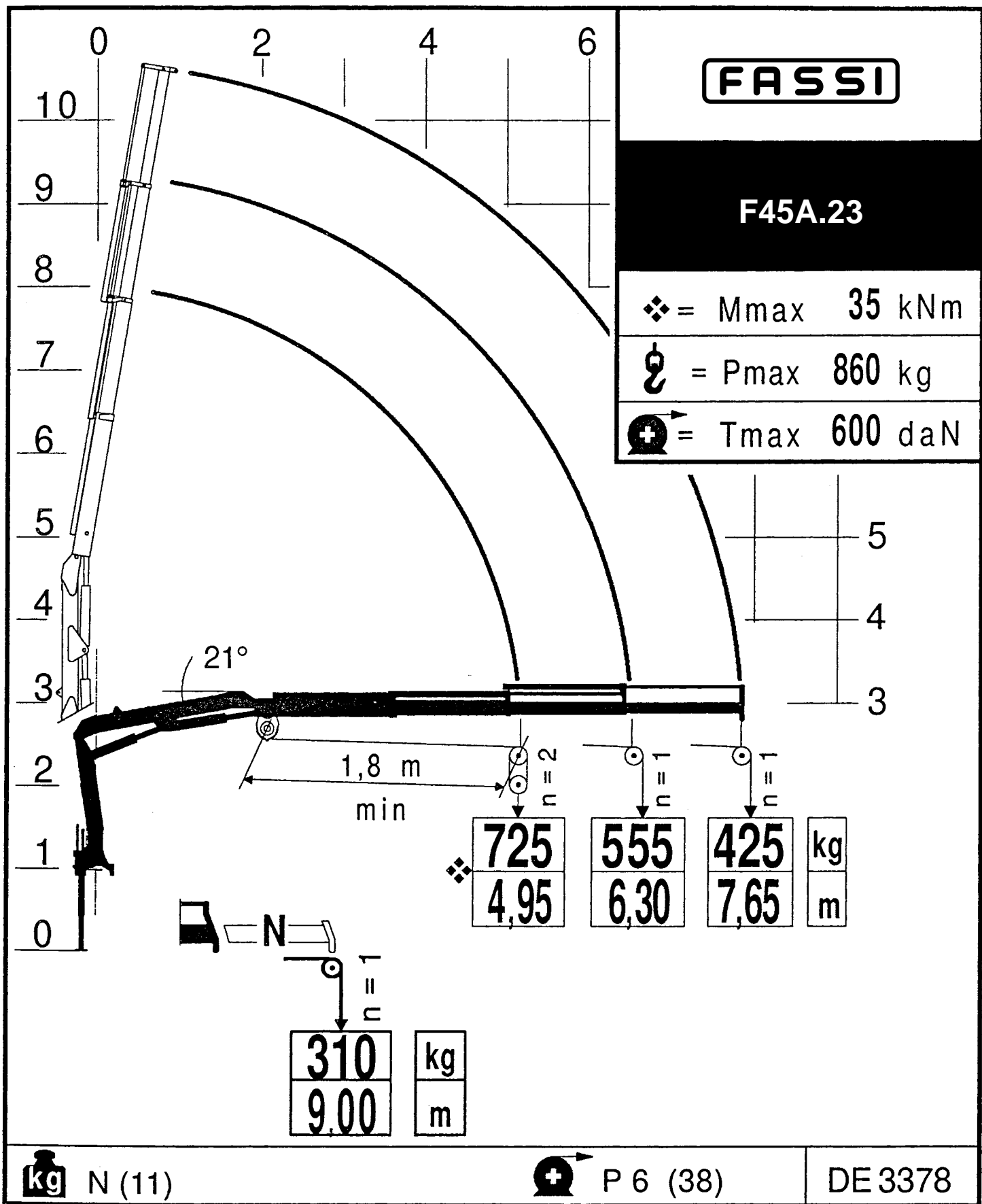
LOAD DIAGRAM WITH WINCH WITHOUT LIFTING MOMENT LIMITING DEVICE





Via dei Carmelitani, 2
24021 Albino BG
tel. ++39 35 776400
fax ++39 35 755020
www.fassigroup.com
fassi@fassigroup.com

LOAD DIAGRAM WITH WINCH WITHOUT LIFTING MOMENT LIMITING DEVICE



kg N (11)

\oplus P 6 (38)

DE 3378