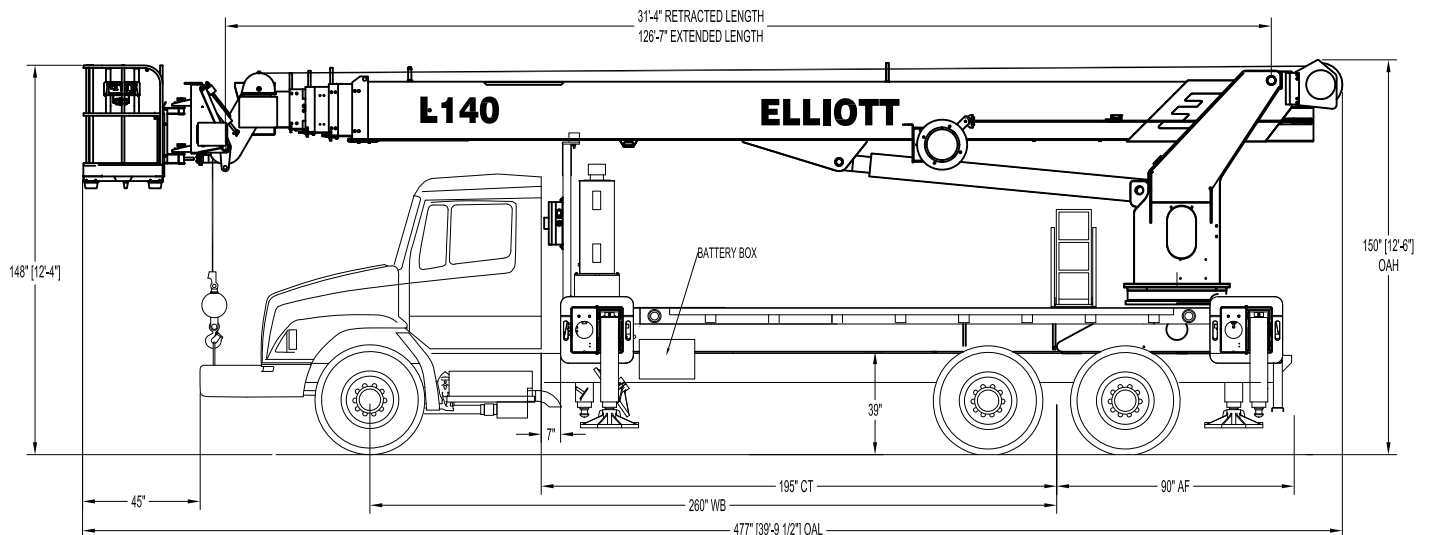




### L140 SIDE VIEW DIAGRAM



- |  |                    |   |                      |
|--|--------------------|---|----------------------|
| • <b>Working Height</b>                | 140'/42,6 m        | • <b>Powered Boom Sections</b>          | 5                    |
| • <b>Working Side Reach</b>            | 80'/24,4 m         | • <b>Overall Height</b>                 | 12'6"/3,8 m          |
| • <b>Platform Capacity</b>             | 600 lbs/272 kg     | • <b>Unit Weight (Bare)</b>             | 30,000 lbs/13 608 kg |
| • <b>Platform Size</b>                 | 30x54"/76x137 cm   | • <b>Outrigger Spread Main</b>          | 20'/6,1 m            |
| • <b>Platform Type</b>                 | EZR Removable      | • <b>Outrigger Spread Auxiliary</b>     | 20'/6,1 m            |
| • <b>Lifting Capacity (Main Winch)</b> | 14,000 lbs/6350 kg | • <b>Front Gross Axle Weight Rating</b> | 20,000 lbs/9072 kg   |
| • <b>Certification (ANSI)</b>          | ANSI A92.2         | • <b>Rear Gross Axle Weight Rating</b>  | 40,000 lbs/18 144 kg |

## TECHNICAL SPECIFICATIONS

**Maximum Platform Height:** 135' ground to platform floor.

**Working Range:** 140' max. height and 80' max. side reach.

**Work Platform:** 30"x54" EZR work platform with 40" high rails. Equipped with two safety lanyard attachment loops and two safety harnesses and 72" lanyards. Platform capacity 600 lbs.

**Platform Leveling System:** Hydraulic self-contained system consisting of twin platform cylinders interacting with electro-proportional leveling control system and pump motor tank assembly mounted on boom tip. Includes heavy duty deep cycle battery supply and remote charging system for automatic leveling operation.

**Platform Controls:** Fully proportional wireless remote controller with boom control functions. Platform leveling and rotation controls located within the platform.

**Lower Controls:** Rotating turret standup operator control station on curbside of crane. Includes four single axis levers to control main boom functions.

**Outrigger Controls:** Outriggers shall be controlled by ground operated outrigger controls located on the street side and curb side of the unit, directly below the bed.

**Outriggers:** Front and rear out and down outriggers with 20' spread.

**Frame:** One piece, all welded, box-type fabrication with integral outrigger mounts.

**Turret:** Reverse offset turret is one-piece weldment mounted on subframe. Turret rotates on large diameter ball bearing.

**Rotation:** Continuous turret rotation with no stops. Hydraulic motor drives turret through planetary gear box with automatic brake.

**Boom:** 4-plate steel design. Assembly includes heavy-duty cylinder fittings, pivot pins, and replaceable wear pads.

**Boom Extension:** One double-acting, two stage hydraulic cylinder extends the boom sections proportionally by means of cables.

**Lift:** One double-acting cylinder provides smooth and stable boom elevation. Holding valve prevent boom from falling in event of hose failure.

**Cylinders:** All cylinders use microhoned cylinder tubing, chrome shafts, top grade packing and protective rod wipers. Cylinder-mounted holding valves provided on all load-holding cylinders.

**Hoses:** All high pressure hoses are wire braid reinforced with a minimum safety factor of 4 to 1.

**Oil Tank Capacity:** 143 gallon mounted on top of front outriggers.

**Hydraulic System:** Operating pressure is 3,000 PSI. System is parallel closed center type and is equipped with liquid-filled pressure gauge. Oil is supplied to upper cylinders through hydraulic union in center of turret. Cable reel to provide 12 volt charging circuit to platform hydraulic control system.

**Pump:** Piston type, direct mount to truck PTO.

**PTO:** Heavy-duty, high-speed.

**Cab Equipment:** PTO cable or switch with indicator lights installed in truck cab. Master power switch on dashboard. U/L approved 5:BC dry chemical fire extinguisher installed in truck cab.

**Operators Manual & Video:** Two CDs and one printed copy of operation, maintenance, safety and parts manual provided with each unit. Operational and safety video provided at delivery.

**Installation:** Unit installed on truck, painted, system and tank filled with oil,

tested, inspected, and ready to operate.

**Standard Paint:** Paint boom and turret red, outriggers red, and bed and boxes black. Top of steel bed painted with black nonskid surface.

**Bumper:** Bureau of Motor Carrier Safety rear bumper.

**Weight:** Approximately 30,000 lbs. with 16' steel-floor bed less truck.

**Truck Chassis Required:** Approx. 192" C.T. RBM 3,300,000 in-lb. per rail, 20,000 lb. front axle and 60,000 lb. GVWR required. Trucks must have increased cooling, heavy-duty front and rear springs, 12V electrical system with high capacity alternator, cab clearance stop/tail/backup lights, and I.D. lamps. Extended front frame rails. Recommended GVWR is minimum for HiReach with flatbed only. Contact factory when additional equipment is to be added.

**Options:**

14,000 lb Capacity Boom Winch.

Automatic Safety Rotation Lockout.

Winch Drum Tensioner.

Hydraulic Oil Cooler with Fan.

LED Lighting System.

Hydraulic Tool Circuit on Bed.

Boom Mounted Hose Reel.

Much More....

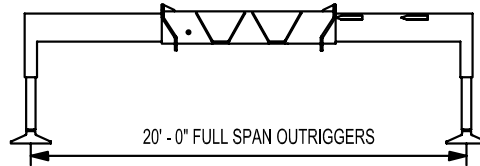
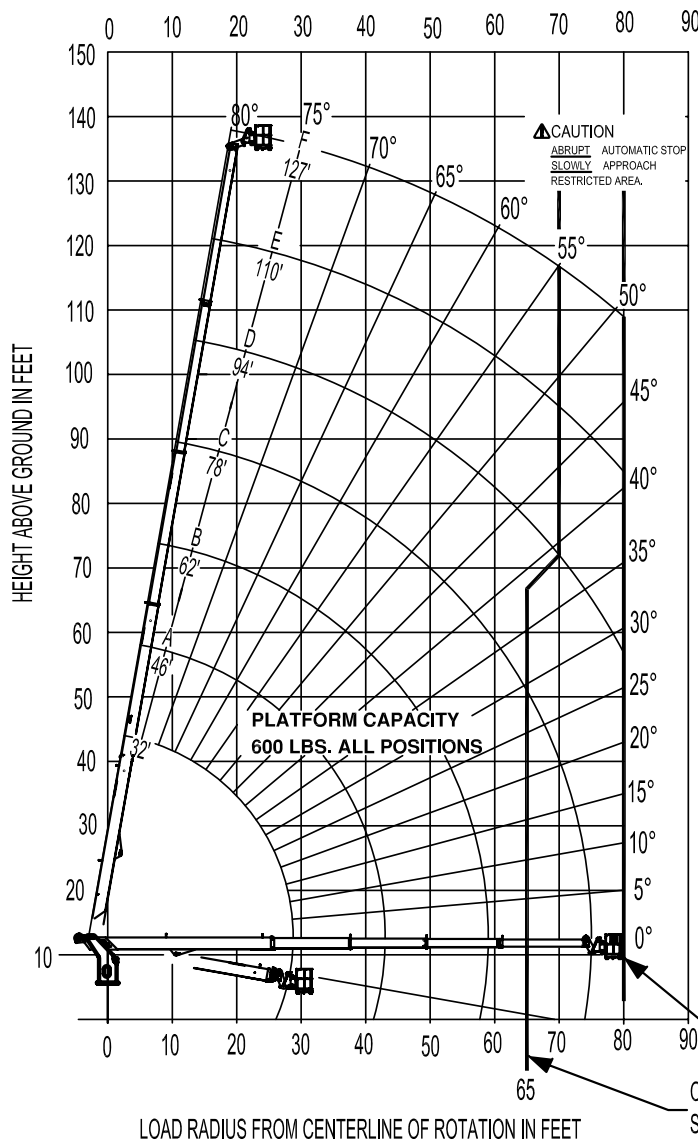
Elliott Equipment Company reserves the right to change the specification of any unit at any time without prior notice. This brochure is only a statement of general specifications on the date of this publication. For more detailed info on specific Elliott trucks go to [www.elliottequip.com](http://www.elliottequip.com)

**MAXIMUM WORKING RANGE**



**MODEL L140 127-ft BOOM**

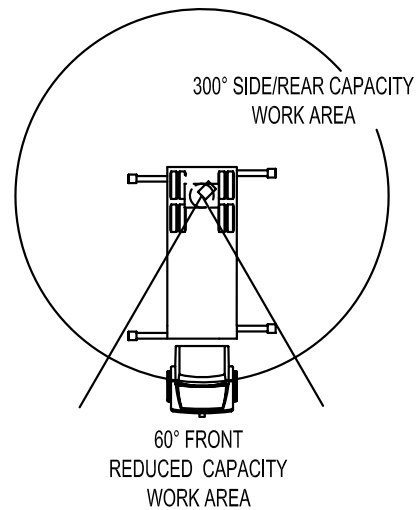
**RANGE DIAGRAM WITH FULL SPAN OUTRIGGERS**



**NOTE:**

1. Personnel handling is allowed only with full span outriggers.
2. Boom load ratings are based on loaded boom radius. Loaded boom angles are given as reference only.
3. When handling personnel, radius is measured to the front rail of the platform. Reference loaded boom angles must be increased for platform offset.

**AREA OF OPERATION:**



OVER SIDE/REAR STABILITY LIMIT (LMI MODE 0025)

OVER FRONT STABILITY LIMIT (LMI MODE 0125)

DO NOT PAINT OVER ANY LABELS 1172000 021011



## TRUCK CHASSIS SPECIFICATIONS

	L140
Wheelbase (WB)	258" / 655 cm
Cab to Tandem (CT)	192" / 488 cm
Cab to End of Frame (EOF)	286" / 726 cm
Frame Section Modulus	27.5 in3 / 120,000 psi
Front Axle Gross Weight Rating	20,000 lb / 9072 kg
Rear Axle Gross Weight Rating	40,000 lb / 18 144 kg
Extended Front Frame	Required to Limit Front Overhang

Chassis data is minimum general requirements-not for engineering.  
Actual dimensions and truck data will depend on truck selection and axle configuration.

## OPTIONS



### Extended Cab Configurations

Choose an extended cab truck configuration to transport more workers, tools and supplies onto the job site.



### Custom Paint

Choose from a wide list of high quality paint applications including Elliott's standard white or red paint, metallic paints, or multiple colors.



### Boom-Mounted Winch

Take advantage of the 14,000 lb capacity 2 speed hydraulic winch with 1/2" cable and a load indication system.



### Hydraulic Oil Cooler

Add a hydraulic oil cooler to assist with performance in hot weather and high duty-cycle applications.



### Outrigger Pad Holders

Outrigger pad holders safely store your pads for travel and leave plenty of room for tool boxes.



### Toolbox Configurations

Let us work with you to install steel or aluminum toolboxes above and below the bed to store tools and supplies.



### Deep-Penetration Outriggers

Elliott's two-stage outriggers provide extreme ground penetration for even the most difficult offroad environments for more work with less cribbing.



### Bed Accessories

Mount a wide variety of accessories including welders, power washers, and generators on the bed.