

NEW
lifting device

Sky Lifter SL 400

Electric manipulator for the installation
of contractor machines



For installation of windows in highrises

Sky Lifter lifts and handles
window sections and other
building materials at great
height.

Installed on e.g. telescopic loaders
using quick release adaptor

- Accurate to the millimeter
- Multifunctional
- Radio control of all features
- Large lifting capacity
- Secure suction hold with two vacuum circuits



As Sky Lifter is radio-controlled, there are no limits to working height. The range of the remote control is 100 metres.



The lifted item is very resistant to wind/gusts as Sky Lifter is mounted on the parent machine.

Sky Lifter also handles the architect's creative and lopsided solutions where high installations under overhangs or oblique angles may be a challenge.



Sky Lifter runs non-stop with extra batteries (optional extra) which are easy to replaced without the need for tools.



Sky Lifter handles high lifts for installations in highrises such as these.

N.A. Christensensvej 39
DK-7900 Nykøbing Mors
Tel.: +45 97 72 29 11
E-mail: smart@smartlift.dk
www.smartlift.dk

Smart Lift
DENMARK



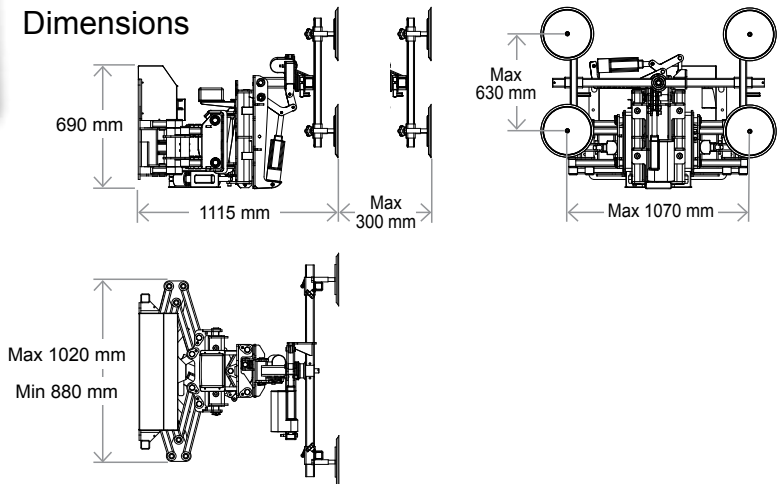
Sky Lifter's smooth pattern of movement is repeated in the yoke where rotation, tilt and tip take place in soft, stepless movements.



Sky Lifter is easy to install on the telescopic loader using an adapter for Quick release.



Dimensions



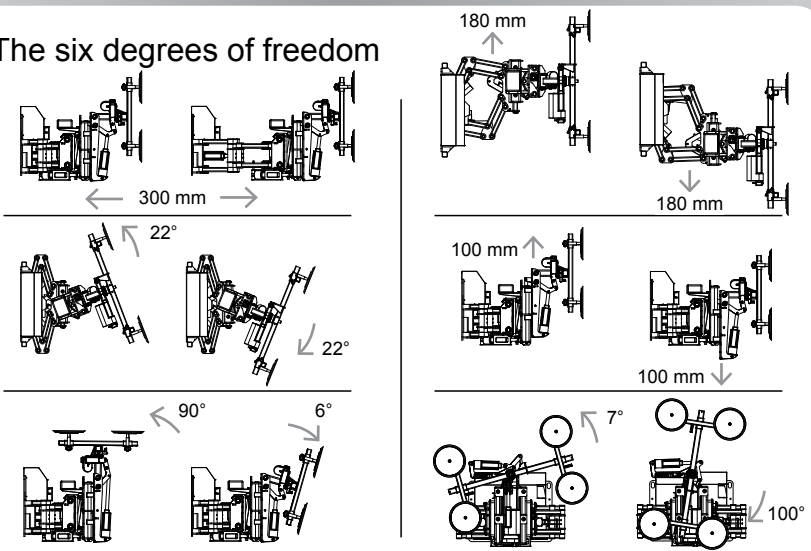
Technical data

Description	Value *
Weight	350 kg
Height	690 mm
Width (min/max)	880/1020 mm
Length (min/max)	1115/1415 mm
Extension of arm	300 mm
Speedregulation	Stepless
Vacuum system	2-circuits
Suction pads	4 x Ø 300 mm
Chargingvoltage	230 volt, 5 Amp
External charger included	
Battery E-bike	24 volt, 20,25 Ah
Chargingtime 75%	2 hours
Chargingtime 100%	4 hours
Runningperiod	Approx. 8 hours **
Battery replacement	Approx. 15 sec.
Charging cycles	1000
Sky Lifter can be partially charged	
Lifting capacity	400 kg

*All measurements are without adaptor for Quick release.

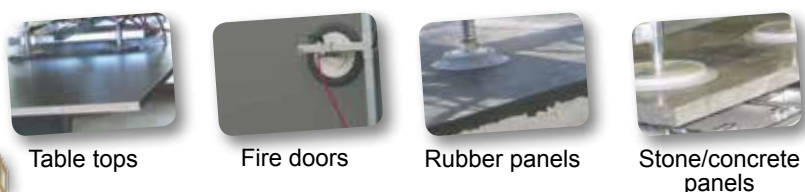
**With normal use, Sky Lifter can easily last an 8-hour working day without charging. Battery capacity with continuous operation and maximum load is 4 hours. With additional battery, the operating period is limitless.

The six degrees of freedom



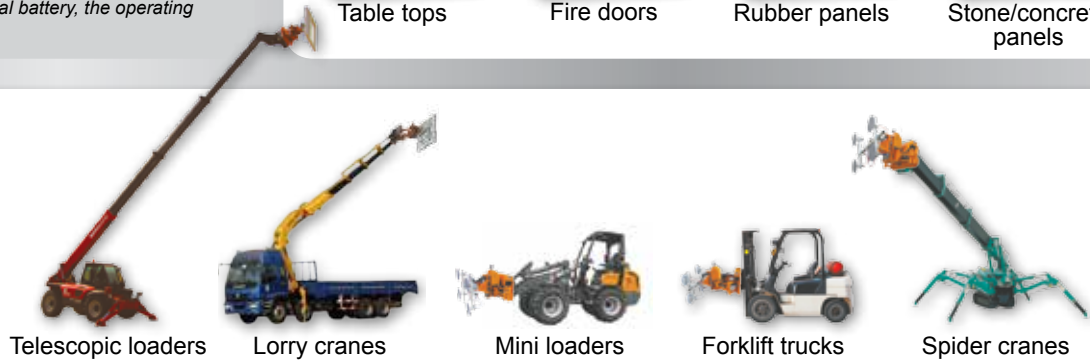
Workpieces/items

Sky Lifter handles a wide range of items from plasterboard to fire doors and wall panels.



Parent machines

Sky Lifter is a small, light and flexible electric manipulator which, with the right adapter, can be mounted on any hydraulic telescopic loader, crane etc.



N.A. Christensensvej 39
 DK - 7900 Nykøbing Mors
 Tlf.: +45 97 72 29 11
 E-mail: smart@smartlift.dk
 www.smartlift.dk

