

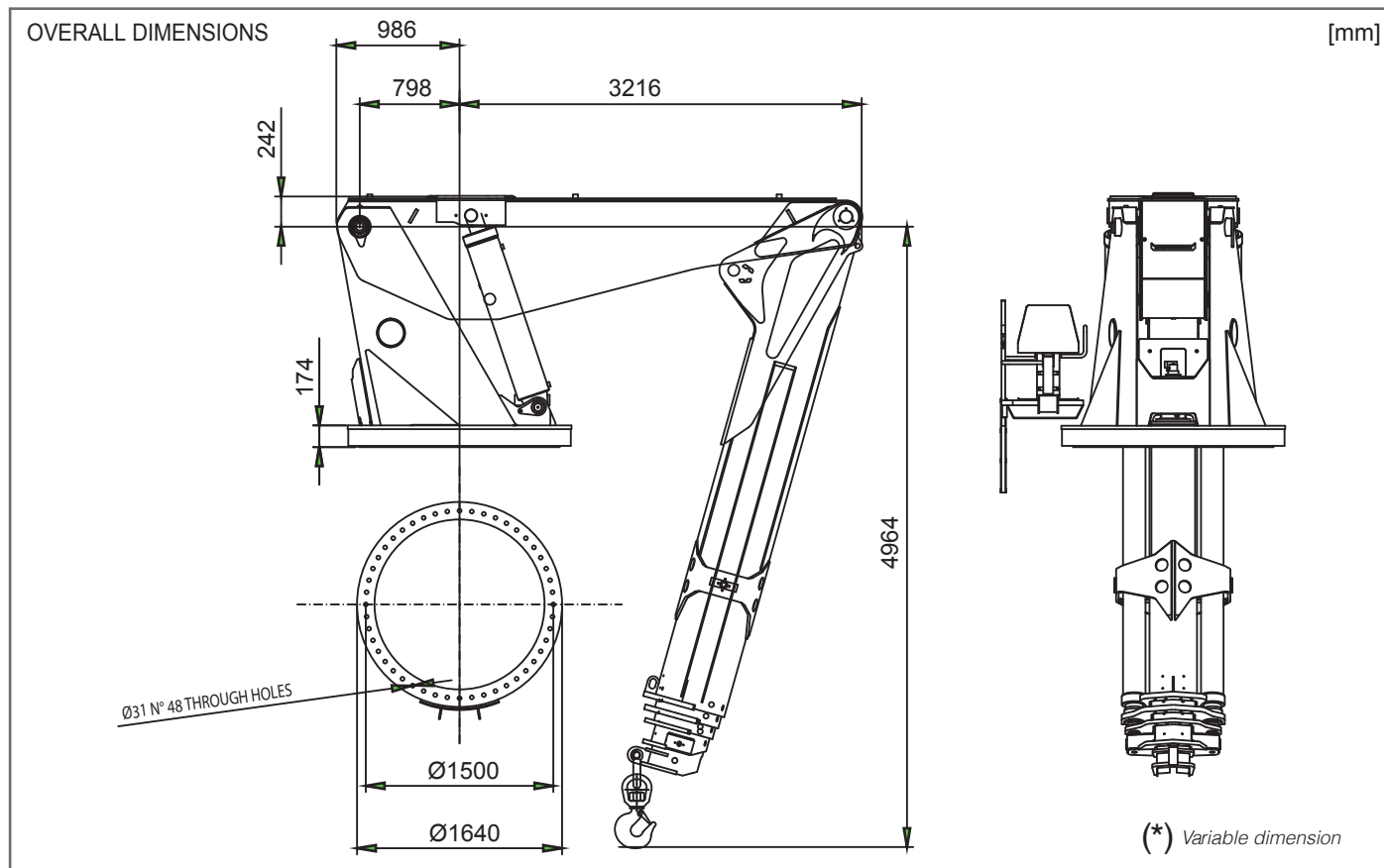


Custom Built Marine & Offshore Cranes

KNUCKLE TELESCOPIC CRANE

HLRM 140-4SLK MODEL

TECHNICAL SPECIFICATION



TECHNICAL DATA					
Hydraulic extensions	N°	4	Empty weight of the crane	kg	10.080
Net lifting moment	t-m	140	Recommended amount of oil	lt	480
Slewing torque	kg-m	16000	Slewing speed	rpm	0,7
Slewing angle (continuous)	°	360	Main boom lifting time	sec	45
Pump capacity	lt/min	60+60	Secondary boom articulation time	sec	50
Max working pressure	bar	280	Boom element extension time	sec	135
STANDARD FEATURES			AVAILABLE OPTIONS		
Slewing continuous			5000 kg direct pull winch rope Ø 18		
Proportional distributor			Winch limit switch		
Load limiting device			Slewing limit switch (450°)		
			Cabin with windows and wipers		
			Size 9 electrohydraulic power pack (HP 82)		
			Control panel out of the crane		

May 2014

The technical data contained in this card are only indicative and can be changed without notice.

HLRM140-4SLK Rev.00

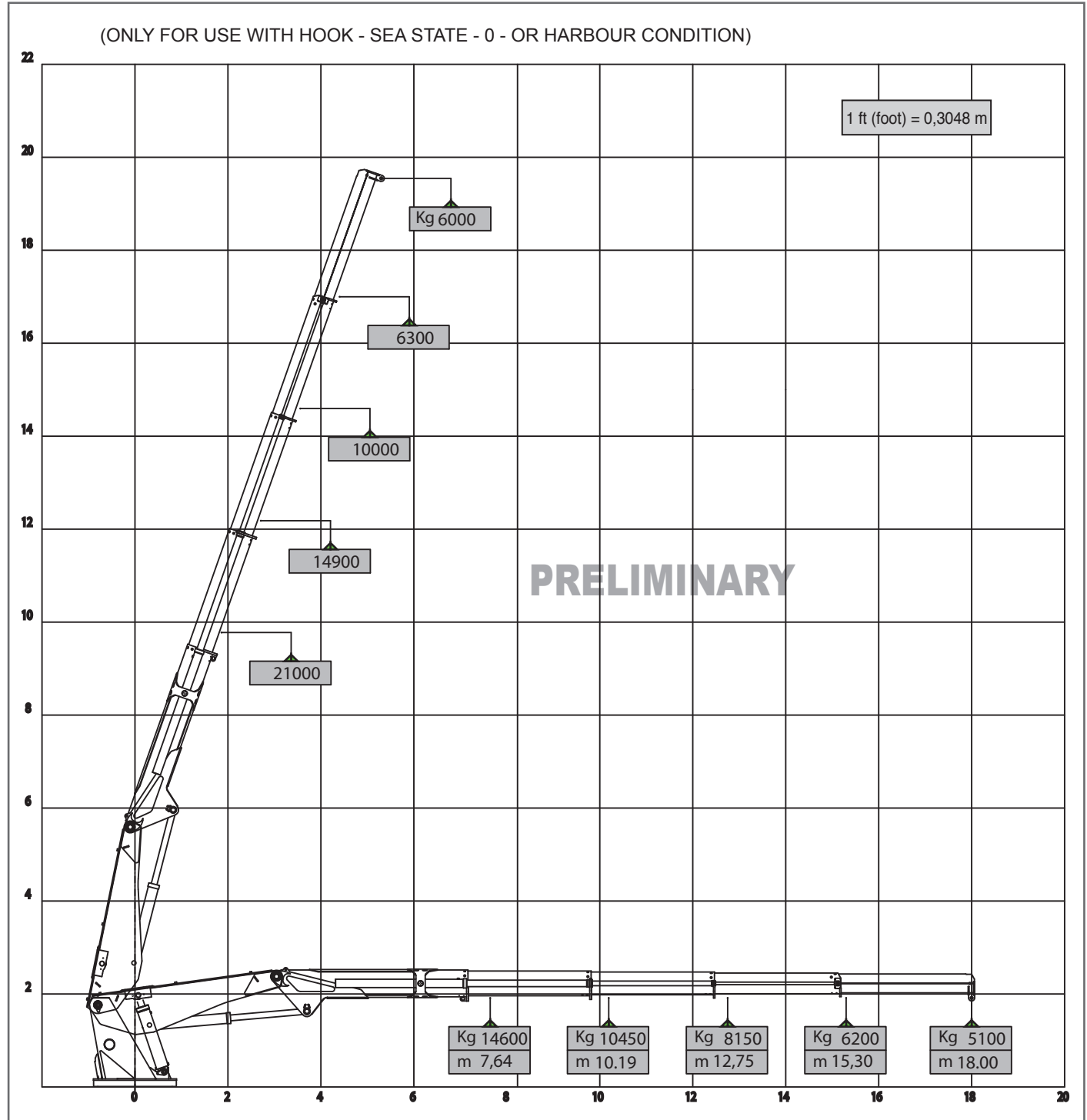


Custom Built Marine & Offshore Cranes

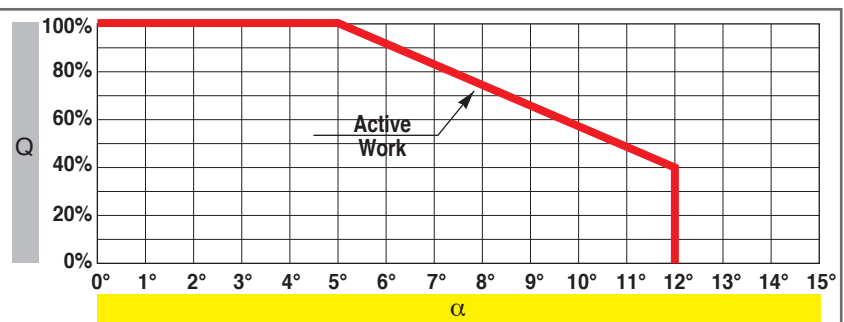
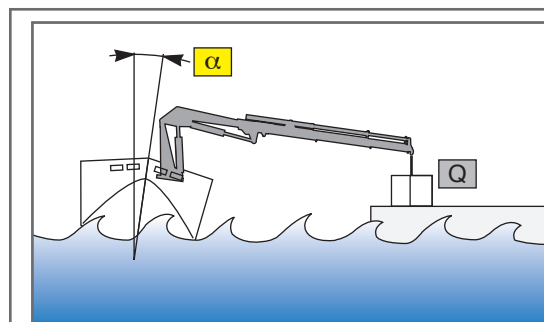
KNUCKLE TELESCOPIC CRANE

HLRM 140-4SLK MODEL

TECHNICAL SPECIFICATION



May 2014



The technical data contained in this card are only indicative and can be changed without notice.

HLRM140-4SLK Rev.00