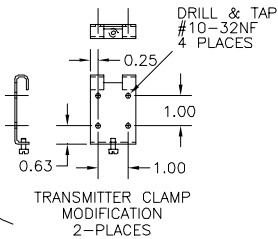
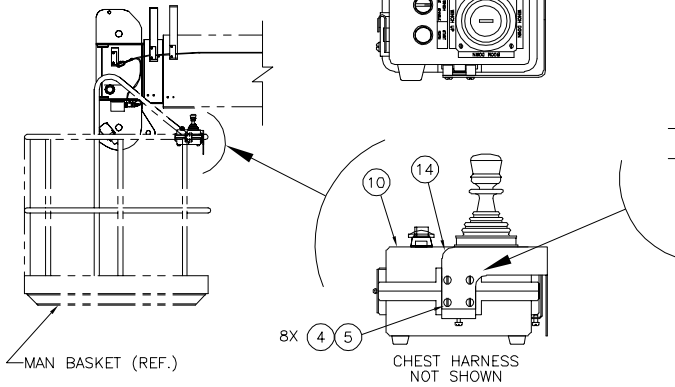


RADIO REMOTE SERIAL NO. PLATE

TRANSMITTER TOP VIEW

SHIPPING INSTRUCTIONS:

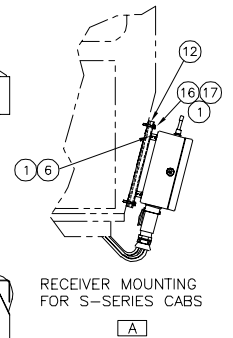
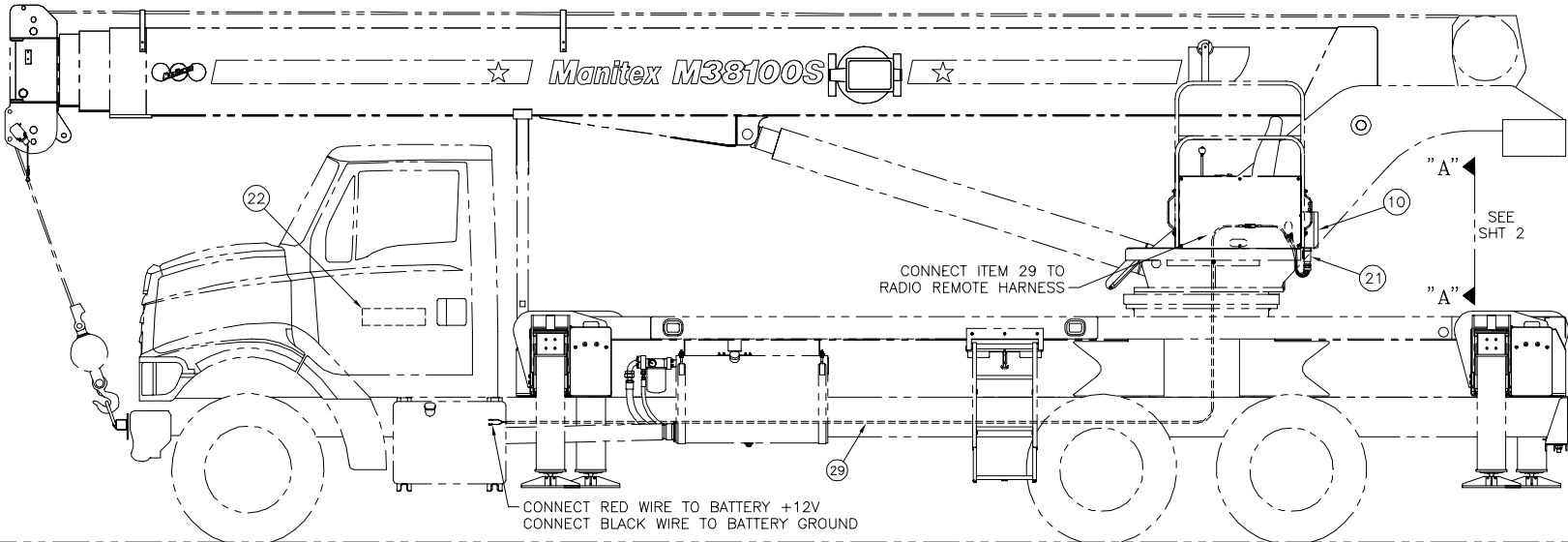
EACH RADIO REMOTE CONTROL SYSTEM SHALL BE SHIPPED WITH A BOX (ITEM 22) CONTAINING THE FOLLOWING PARTS:
 (2) BATTERIES; (1) BATTERY CHARGER; (2) RECEIVER KEYS;
 (1) TRANSMITTER KEY; (1) ALLEN WRENCH AND (1) ANTENNA.



BILL OF MATERIAL				
ITEM NO.	PART NUMBER	QTY	DESCRIPTION	UNIT WEIGHT
1	2007-040000	14	FLAT WASHER, .25	--
2	2007-050000	8	FLAT WASHER, .31	--
3	2013-061008	4	BOLT SHLD, .38	--
4	2020-100000	8	LOCK WASHER #10	--
5	2027-102004	8	SCREW #10NF X .25	--
6	2101-041015	4	HEX BOLT M4 X 15MM	--
7	4000285-003	2	DECAL LH	--
8	4000286-003	2	DECAL RH	--
9	2022-041012	8	BOLT, SCK HD .25	--
10	4800721-003	1	REMOTE RADIO SYST.	--
11	4800722-001	4	LINEAR ACTUATOR	--
12	5002715-001	2	BRACKET, RECEIVER	--
13	5000125-102	4	POINTER	--
14	5002626-001	1	TRANSMITTER BRKT	--
15	4000689-001	1	DECAL, WINCH WARNING	--
16	2004-041024	4	BOLT 0.25NC X 1.50	--
17	2006-040000	16	LOCK WASHER, .25	--
18	2132-141012	4	S.DRILL/S.TAP SCREW	--
19	5002645-001	2	POINTER SUPPORT PL	--
20	7600012-007	1	INST/OPERATION GUIDE	--
21	4800721-550	1	HARNES, RADIO	--
22	4800721-900	1	RADIO KIT	--
23	2005-051000	2	HEX NUT 0.31	--
24	2006-050000	2	LOCK WASHER, .31	--
25	4000698-001	4	ADAPTER	--
26	2010-042000	4	JAM NUT 0.25 UNF	--
27	2010-062000	4	JAM NUT 0.38 UNF	--
28	4000710-003	4	BALL JOINT SWIVEL	--
29	4800691-031	1	POWER HARN EXT	--

TOTAL ASSEMBLY WEIGHT. 50.41 LBS.

REVISIONS	
EN 98-0010-11	
EO 10/98	
NEW RELEASE	
EN 98-0011-08	
DAS 11-11-98	
A ADDED VIEW & ITEMS 12, 16.	



DOCUMENT CONTROL STATUS:
ELECTRONIC FILE = CONTROLLED
HARDCOPY = UNCONTROLLED

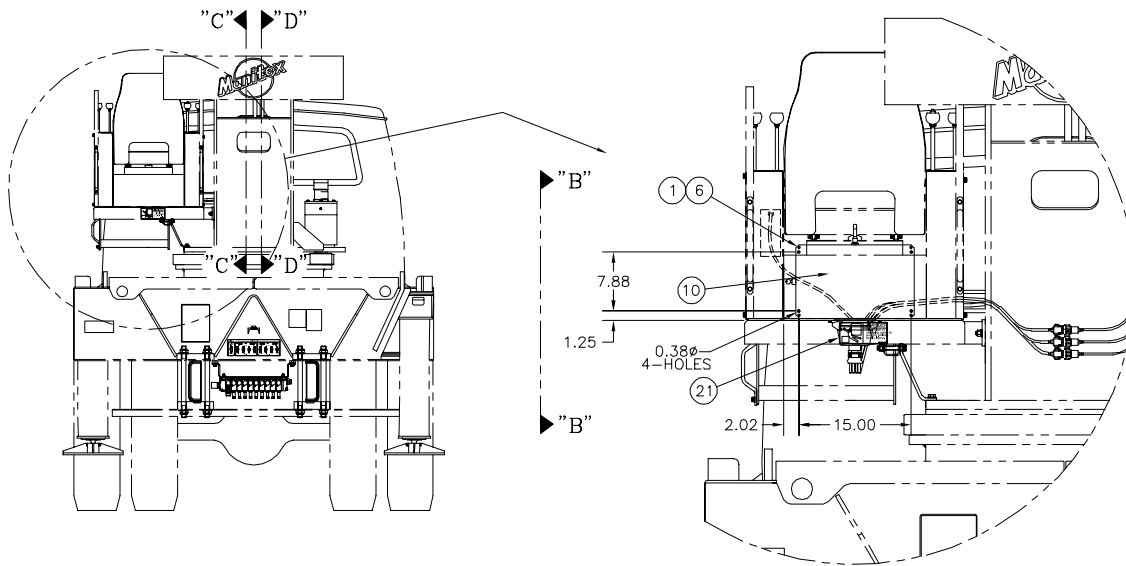
Manitowoc Boom Trucks, Inc.		APP'D./DATE	
SCALE	CHECKED	EO	10/98
NONE	EO	DAS	EO

RADIO REMOTE CONTROL
INSTALLATION W/OVERRIDE
MODEL M38100S

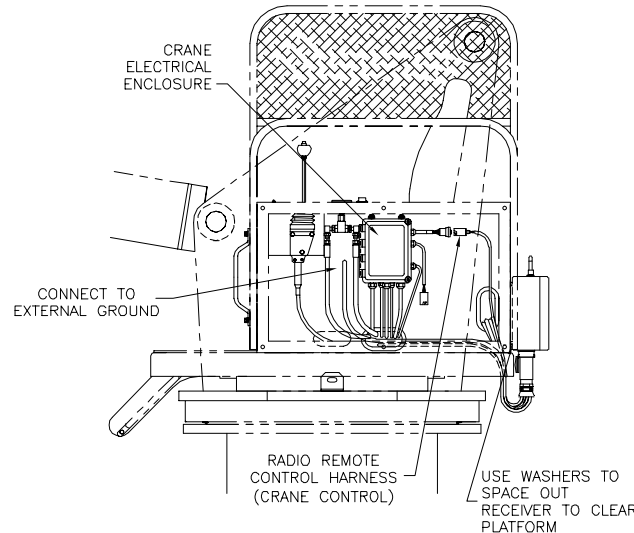
TOLERANCES (UNLESS SPECIFIED) ±1/16"

6000744-012
SHEET 1 OF 5

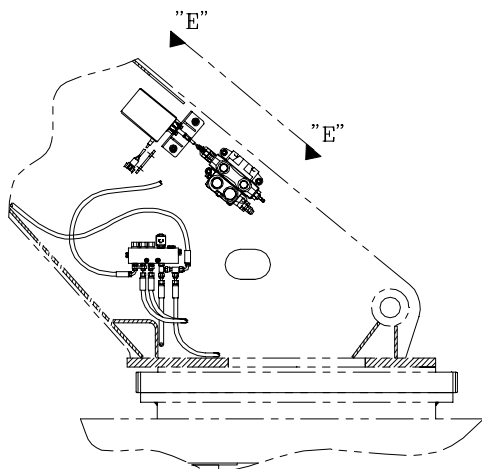
REVISIONS	
EN 98-0010-11	EO 10/98
NEW RELEASE	
EN 98-0011-08	DAS 11-11-98
A	SEE SHT 1



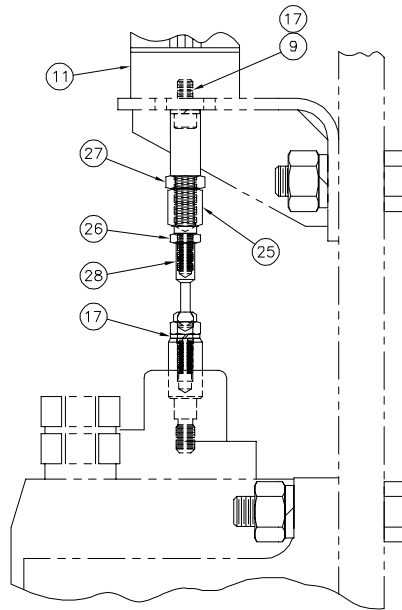
VIEW "A - A"



VIEW "B - B"



SECTION "C - C"
SCALE : 2X



VIEW "E - E"
SCALE: 8X

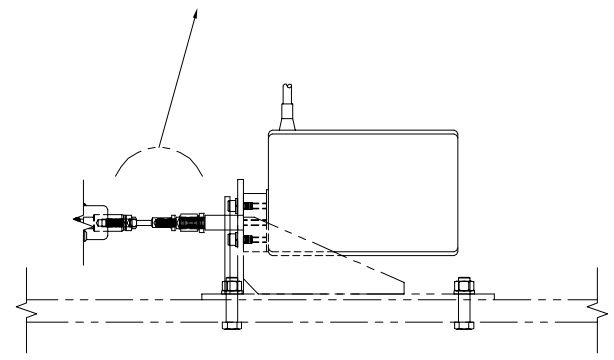
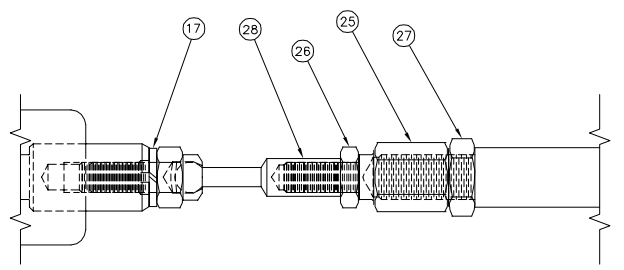
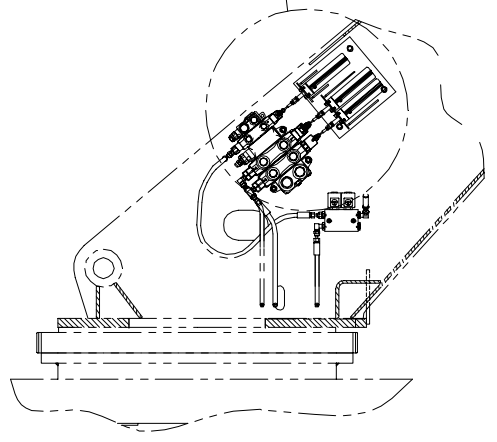
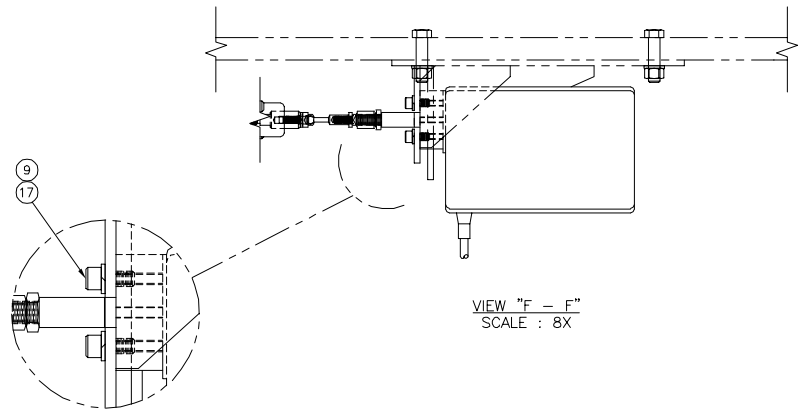
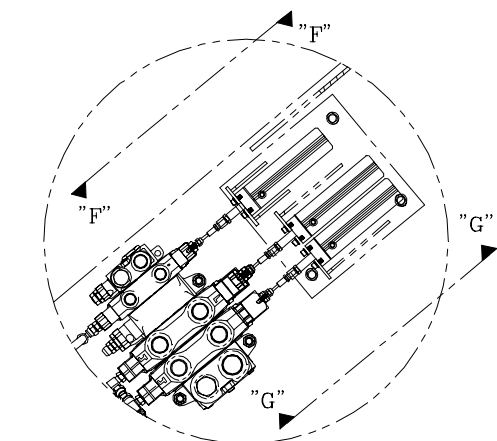
LINEAR ACTUATOR INSTALLATION NOTES:

- 1- ATTACH ITEMS 25, 26 & 27 TO EACH LINEAR ACTUATOR, BEING CAREFUL NOT TO ROTATE THE LINEAR ACTUATOR SHAFT, DOING SO WILL DAMAGE THE LINEAR ACTUATOR. TIGHTEN ITEM 27 AGAINST ITEM 25.
- 2- USING ITEMS 9 & 17, INSTALL THE LINEAR ACTUATORS ONTO THE BRACKETS SUPPLIED, DO NOT TIGHTEN THE HARDWARE AT THIS TIME.
- 3- ATTACH ITEMS 17 & 28 TO EACH HYDRAULIC VALVE.
- 4- EXTEND THE LINEAR ACTUATOR SHAFT UNTIL ITEM 28 ENGAGES ITEM 28. ROTATE ITEM 28 UNTIL THE THREAD ON ITEM 25 IS FULLY ENGAGED.
- 5- TIGHTEN ITEM 26 AGAINST ITEM 28.
- 6- MAKE SURE LINEAR ACTUATORS ARE ALIGNED WITH HYDRAULIC VALVE, USE AVAILABLE ADJUSTMENT ON BRACKETS FOR ALIGNMENT. ONCE ALIGNED, TIGHTEN THE HARDWARE (ITEM 9).
- 7- AFTER ATTACHING THE LINEAR ACTUATORS TO THE HYDRAULIC VALVE, MAKE SURE BOTH ARE FREE TO MOVE. SOME ADJUSTMENT MAY BE NECESSARY TO ALLOW THEM TO MOVE FREELY.

DOCUMENT CONTROL STATUS:
ELECTRONIC FILE = CONTROLLED
HARD COPY = UNCONTROLLED

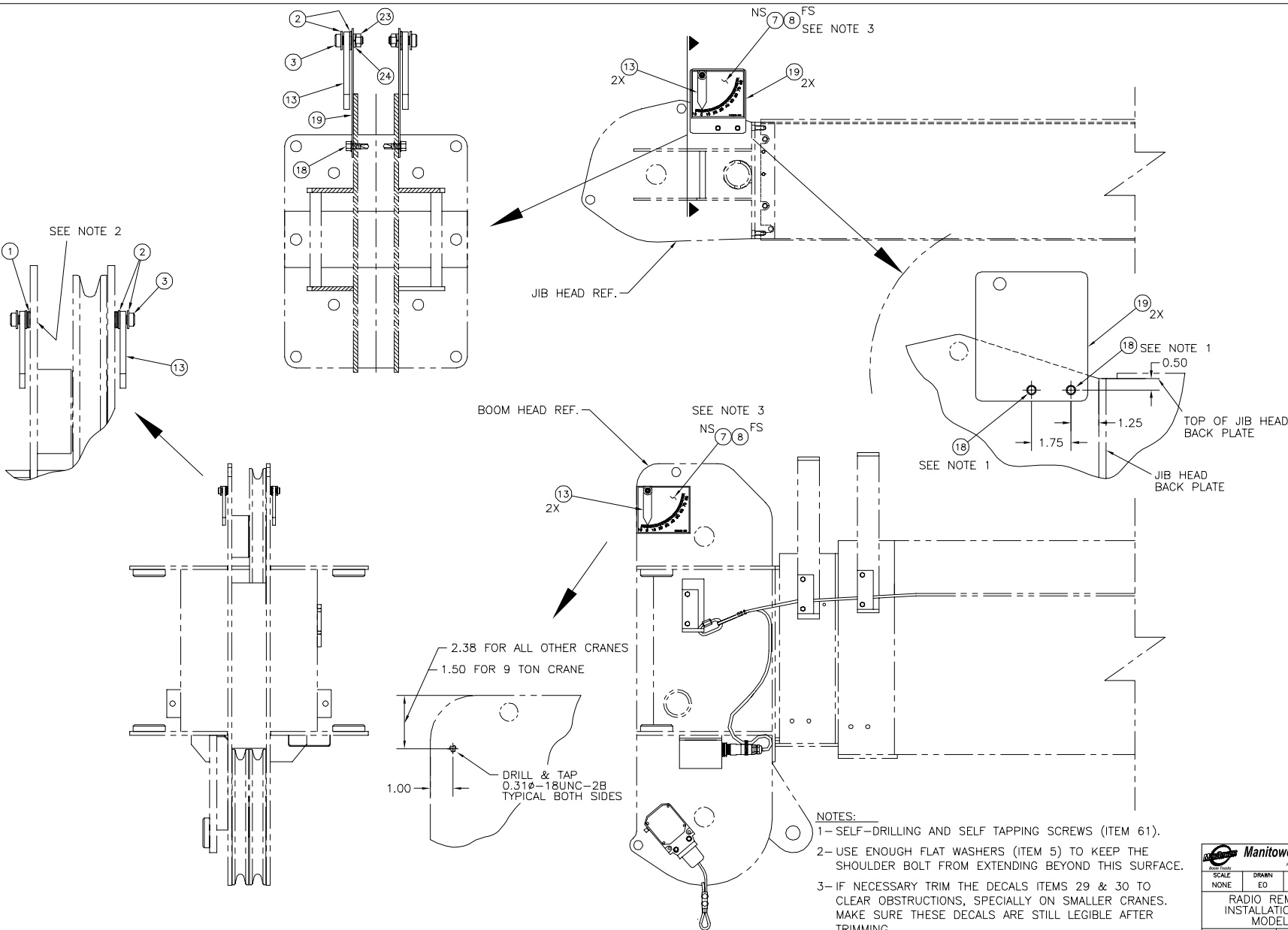
Manitowoc Boom Trucks, Inc.		Manitowoc Controls	
SCALE	DRAWN	CHECKED	APPROV./DATE
1/16"=1"	EO	DAS	EO 10/98
RADIO REMOTE CONTROL INSTALLATION W/OVERRIDE MODEL M38100S			
TOLERANCES (UNLESS SPECIFIED)		6000744-012	
±1/16"		SHEET	2 OF 5

REVISIONS
 EN 98-0010-11
 EO 10/98
 NEW RELEASE
 EN 98-0011-08
 DAS 11-11-98
 A SEE SHT 1



DOCUMENT CONTROL STATUS:
 ELECTRONIC FILE = CONTROLLED
 HARD COPY = UNCONTROLLED

Manitowoc Boom Trucks, Inc. <small>© Manitowoc Originals</small>			
SCALE	DRAWN	CHECKED	APP'D./DATE
1/16" = 1"	EO	DAS	EO 10/98
RADIO REMOTE CONTROL INSTALLATION W/OVERRIDE MODEL M38100S			
TOLERANCES (UNLESS SPECIFIED)		6000744-012	
±1/16"		SHEET	3 OF 5



REVISIONS	
EN 98-0010-11	
EO 10/98	
NEW RELEASE	
EN 98-0011-08	
DAS 11-11-98	
A	SEE SHT 1

DOCUMENT CONTROL STATUS:
 ELECTRONIC FILE - CONTROLLED
 HARD COPY - UNCONTROLLED

Manitowoc Boom Trucks, Inc.			
SCALE	DRAWN	CHECKED	APP'D./DATE
NONE	EO	DAS	EO 10/98
RADIO REMOTE CONTROL INSTALLATION W/OVERRIDE MODEL M38100S			
TOLERANCES (UNLESS SPECIFIED)		6000744-012	
±1/16"		SHEET	4 OF 5

