

MANITEX VALLA 75E



Electric battery operated Arm Lift Mobile Crane Max. Capacity **Kg. 7.500**



Valla	
OUTREACH (mm)	CAPACITY (kg)
2.000	3.700
3.000	2.000
5.000	900

TECHNICAL DATA

CRANE FRAME: Six-wheele frame fabricated from preformed and welded steel plate with built-in counterweight.

TRACTION: by DC 8 kw 48V reversible electric motor, controlled by inverter, electro magnetic control on disk brake.

BATTERY: 48V 575Ah battery, battery meter on dashboard.

BRAKES: hydraulically controlled foot operating brake. Lever mechanically controlled parking brake.

SUSPENSION: oscillating rear axle with mechanical lock.

STEERING: power steering with hydraulic cylinder and 140° articulation. Safety valves and filter.

WHEELS: Nr. 2 rear pneumatic 6.50 R10" and Nr. 4 front superelastic 21 x 8 R9"

BOOM: boom fabricated from preformed and welded quality steel plate. Nr.4 telescoping sections: 1 fixed; 3 hydraulically telescoping. Fitted with nylon wear pads adjustable wear pads on the sides.

BOOM CONTROL: Distributor by proportional levers. Motor driven pump 5kW 24V.

LMI: Electronic Load Moment Indicator. Display showing lifted load, max allowed load, tilting percentage, operative radius, angle, telescope and light indicators on the operative mode.

TOTAL WEIGHT: approx. kg. 6.100

MAX. CAPACITY: kg. 7.500

Options on request: hydraulic winch; chain hoists; carry-deck; battery charger (on board and stand-alone); manual and hydraulic jibs; cable remote control; radio remote control; working light; fire extinguisher.

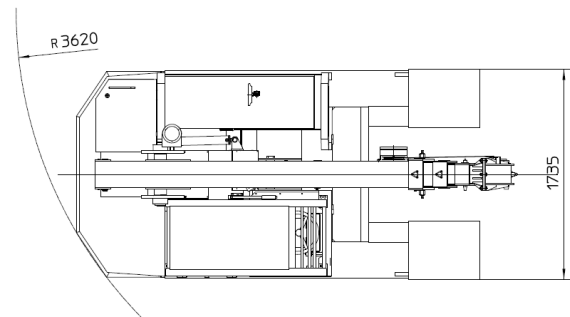
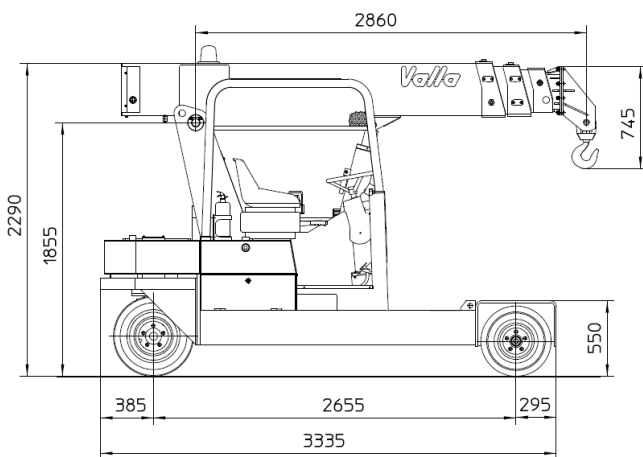
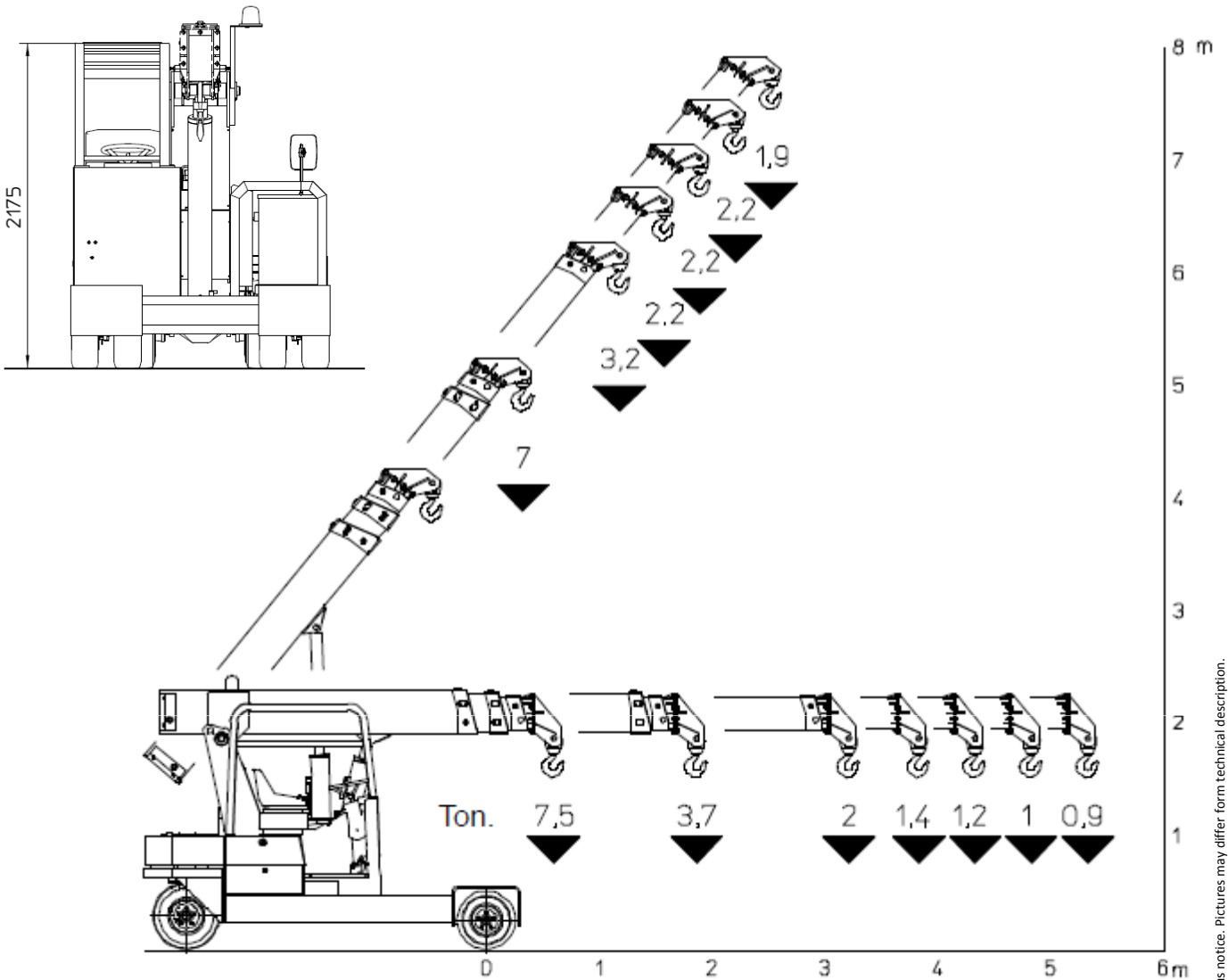


MANITEX VALLA 75 E



Complies with the following standard:

- 2006/42/CE
- UNEN13000
- I.S.P.E.S.L.



mm.



Valla – division of CVS Ferrari Srl
 Via Piacenza, 45 – 29010 Calendasco – Piacenza – ITALIA
 Tel. 0039 0523 762025 – 762004 – Fax 0039 0523 760531
 Internet: www.valla.com – email: info@valla.com

Data subject to be changed without any previous notice. Pictures may differ from technical description.