

Telescoping crawler crane

MAEDA

LC785

CE

Meet today's needs with our new model, the LC785. Welcome aboard, LC785!



Working radius	2.1m	3m	5m
Total rated load	4900kg	2980kg	1400kg

The tail's short swing makes it possible to operate safely even in narrow spaces.

The large, round cab is designed to meet the relevant noise requirements of all the world's major markets.

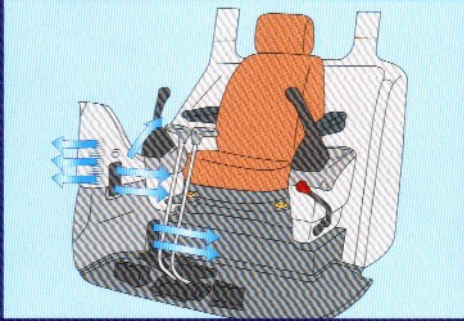
■ Noise level in operator proximity : 74 dB(A)

■ Cab capacity : up 37% over older models.

Our dream of easy maintenance has come true.

The LC785's component placement makes maintenance simple. What's more, we've designed all of the LC785's components ourselves to ensure compatibility and easy maintenance.

Telescoping crawler crane LC785



■ External flow, large-capacity air conditioner



■ Three-colored rotary lamp



■ Full open bonnet

Options

■ Rubber shoes

■ Strengthened load liner

■ Side mirrors

Total rated load

Rated Load (kg) (4falls)

Working Radius	Boom	4.63m	7.38m	10.13m	12.88m	15.63m
2.00		4900	4900	2600	2000	
2.50		3800	3760	2600	2000	1400
3.00		2900	2980	2310	2000	1400
3.50			2420	2010	1890	1400
4.00			2000	1750	1650	1400
4.50			1670	1530	1450	1320
5.00			1400	1340	1280	1200
6.00			1000	1030	1010	990
7.00				780	800	820
8.00				580	530	680
9.00				410	500	560
10.00					390	450
11.00					300	360
12.00						280
13.00						210
14.00						200
14.52						200

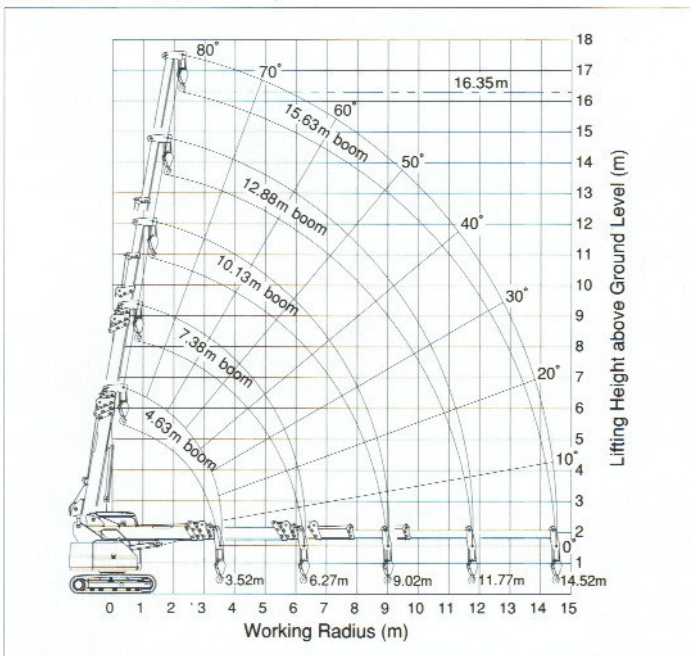
* The rated load is the value not greater than 78% of the tipping load when the machine is placed on firm, level ground and forward stability is 1.15 or above.

* By subtracting the weight of the slinging equipment, such as the hook (90kg for a 4.9 ton capacity hook), from the values shown in the table, the actual maximum load can be determined.

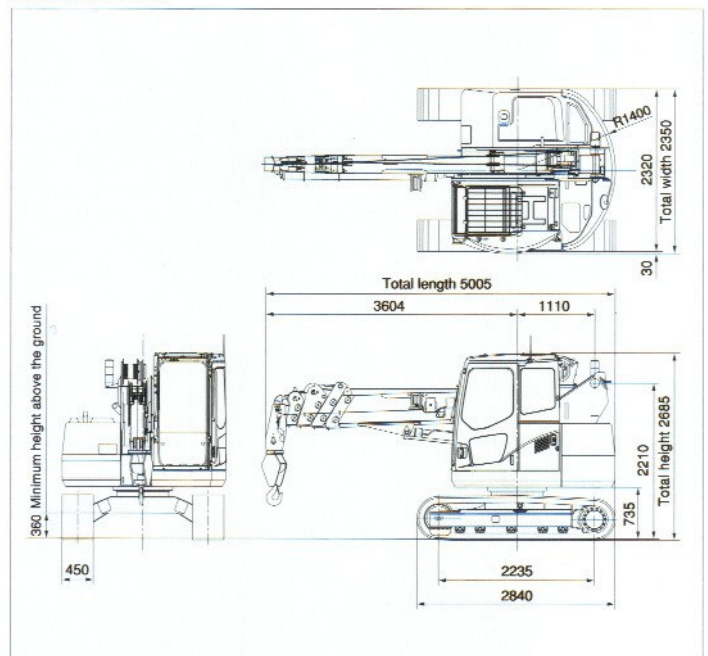
Specification

Operating weight	9700kg
Maximum Lifting Load X Working Radius	4.9t X 2.1m
Maximum Working Radius	14.52m
Maximum Lifting Height	16.35m
Wire Rope	6 X Fi (29) IWRC, Type B φ10mm X 115m
Number of Line	4
Hook Hoisting Speed	27.0 / 39.0m/min (4falls)
Boom Length	4.63m ~ 15.63m
Number of Boom Stage	5
Boom Telescope	Hydraulic + Mechanical (Wire Rope)
Boom Telescoping Stroke / Speed	11.0m / 24.5sec
Boom Derricking Angle / Speed	-2° ~ 80° / 12.5sec
Swing Angle/Speed	360° / 2.4rpm
Safety Device	<ul style="list-style-type: none"> ● Moment Limiter ● Overwind Prevention Device ● Hydraulic Pressure Safety Valves ● Automatic Winching Brake ● Level Gauge ● Back Mirror ● Inclination Alarm ● Wire Rope Latch
Engine	Komatsu S4D95LE-3-A
Flywheel Horsepower	40.5kW (55PS) / 1850rpm
Traveling speed	2.5km/h (Lo), 3.8km/h (Hi)

Working radius



Dimensions



Before use, please read the Operation Manual