

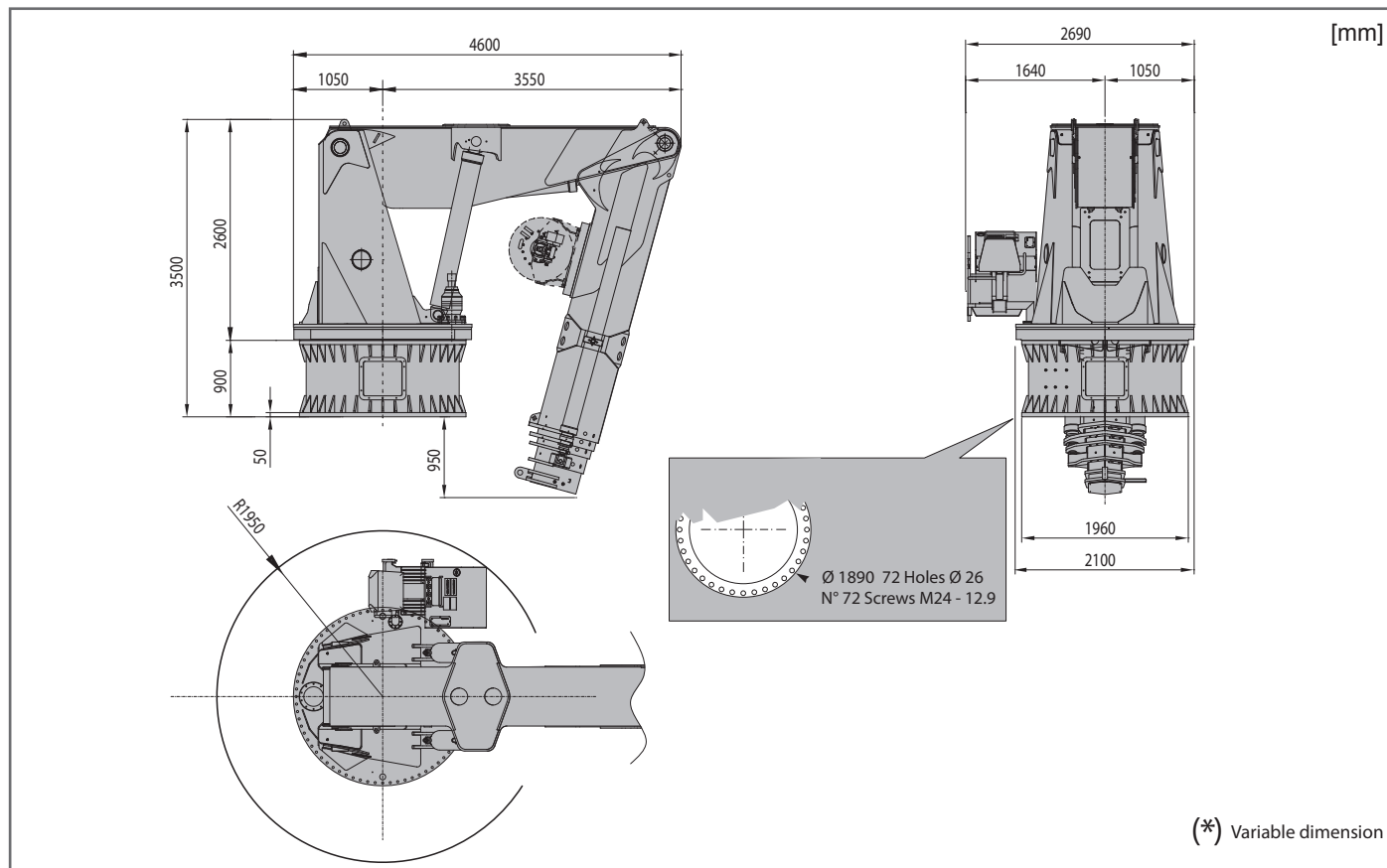


Custom Built Marine & Offshore Cranes

KNUCKLE TELESCOPIC CRANE

HLRM 230-4SLK MODEL

TECHNICAL SPECIFICATION



TECHNICAL DATA					
Hydraulic extensions	N°	3	Empty weight of the crane	kg	13000
Net lifting moment	t-m	190	Recommended amount of oil	lt	750
Slewing torque	kg-m	23000	Slewing speed	rpm	0,6
Slewing angle (continuous)	°	360	Main boom lifting time	sec	40
Pump capacity	lt/min	125+125	Secondary boom articulation time	sec	40
Max working pressure	bar	290	Boom element extension time	sec	70
STANDARD FEATURES			AVAILABLE OPTIONS		
Slewing continuous			10000 kg direct pull winch rope Ø 24 L=60 m (HFW6)		
Distributor of console			Pulley boom head		
Proportional distributor			Winch limit switch		
Load limiting device			Slewing limit switch		
			Size 14 electrohydraulic power pack (150 kW)		
			Basement		

June 2013

HLRM230-4SLK Rev.00

The technical data contained in this card are only indicative and can be changed without notice.

HEILA CRANES S.p.A. | Via Romana 34/6 - 42028 Poviglio (RE) Italy | info@heila.com | www.heila.com

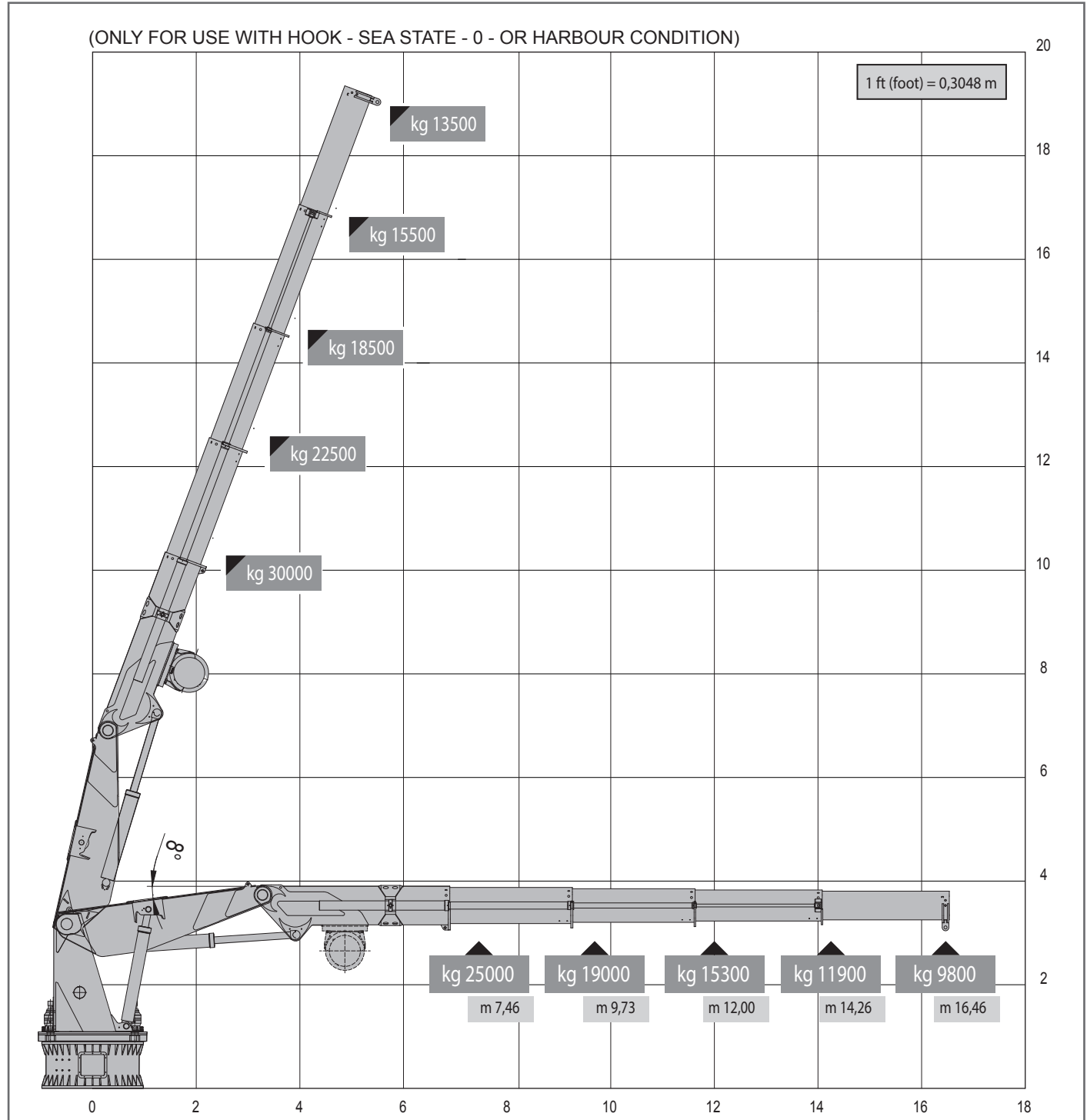


Custom Built Marine & Offshore Cranes

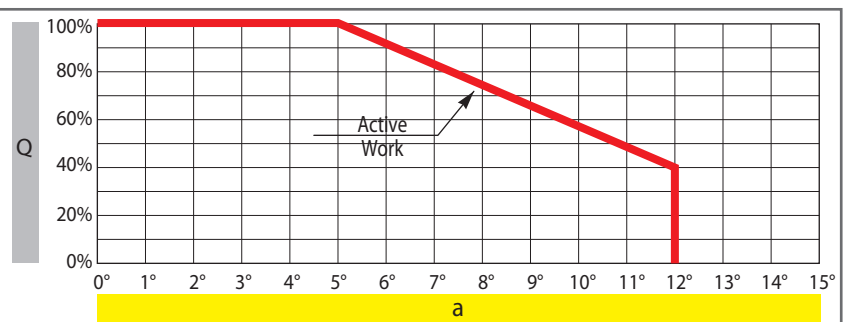
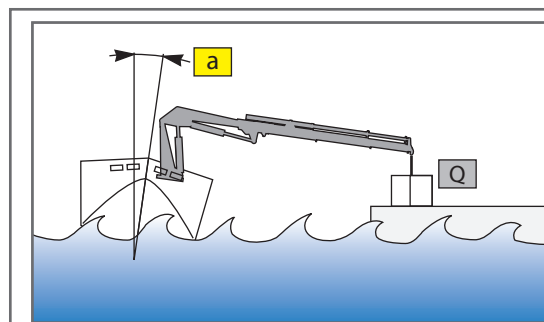
KNUCKLE TELESCOPIC CRANE

HLRM 230-4SLK MODEL

WORKING DIAGRAM



June 2013



The technical data contained in this card are only indicative and can be changed without notice.

HLRM230-4SLK Rev.00