

Valla



90 D



Self Diesel operated Mobile Crane Max. Capacity **Lbs. 19,800**



Valla	
OUTREACH (Ft)	CAPACITY (Lbs.)
6	13,000
9	9,000
15	5,000

TECHNICAL DATA

CRANE FRAME: six-wheelers frame fabricated from preformed and welded steel plate with built-in counterweight.

ENGINE: diesel 38 Kw-4 cylinders, water cooled.

TRANSMISSION: automatic (hydrostatic) "automotive". Differential axle. Max speed 13 Km/h.

BRAKES: foot hydraulically operated drum brakes. Parking hand brake mechanically operated.

SUSPENSION: oscillating rear axle with mechanical lock.

STEERING: power steering with hydraulic cylinder and 140° articulation. Safety valves and filter.

WHEELS: nr. 2 rear superelastic 23 x 10-12 - nr. 4 front superelastic 23 x 10-12

BOOM: boom fabricated from preformed and welded quality steel plate. Nr.4 telescoping sections: 1 fixed; 3 hydraulically telescoping. Fitted with nylon wear pads adjustable wear pads on the sides.

LMI: electronic Load Moment Indicator. Display showing lifted load, max allowed load, tilting percentage, operating radius, angle, telescope and light indicators on the operative mode.

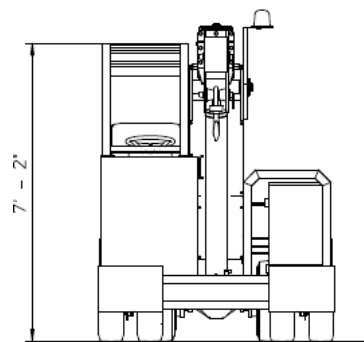
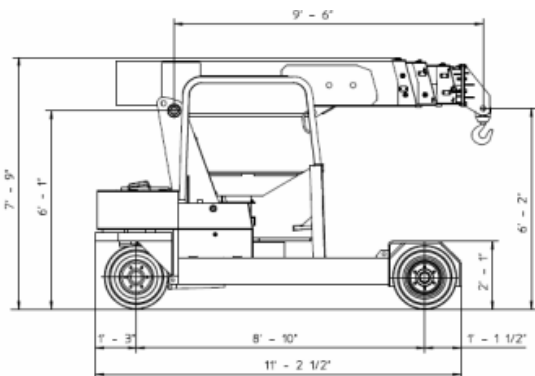
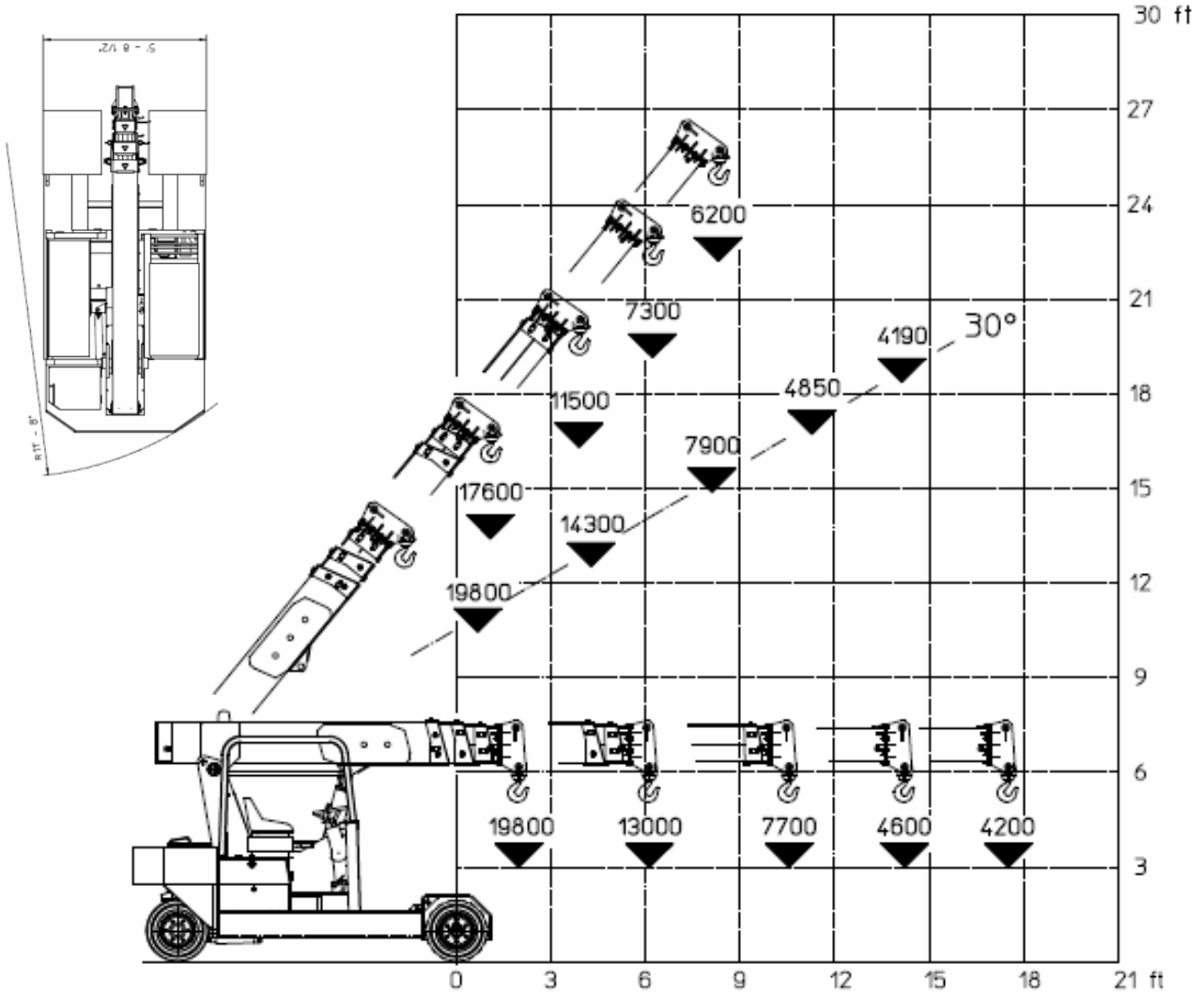
TOTAL WEIGHT: approx. Lbs. 20,200 **MAX. CAPACITY:** Lbs. 19,800

Options on request: hydraulic winch; chain hoists; carry-deck; manual and hydraulic jibs; cable remote control; radio remote control; man bucket and relevant certification as aerial platform; full set of road lights; non marking tires.



Data subject to be changed without any previous notice. Pictures may differ from technical description.

VALLA mobile crane mod. 90D
 complies with the following standards:
 -2006/42/CE
 -UNIEN13000
 -I.S.P.E.S.L.



Lbs./ft