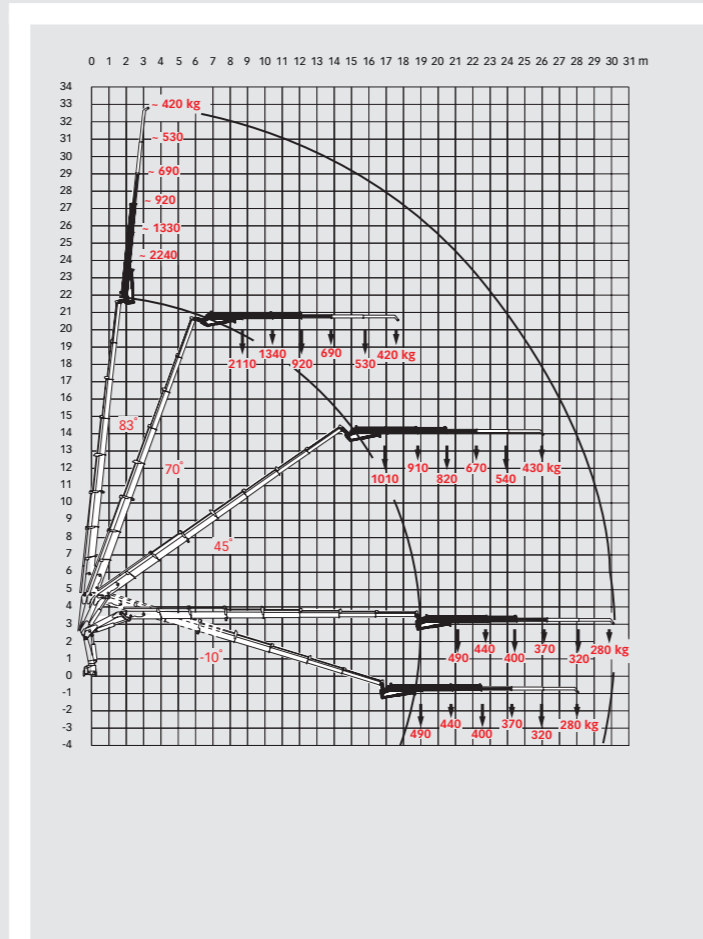
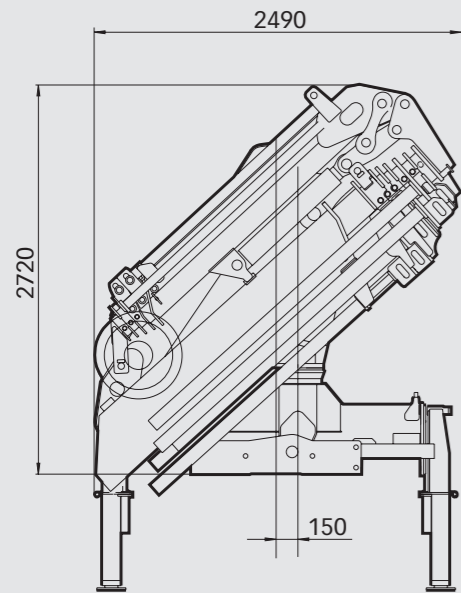
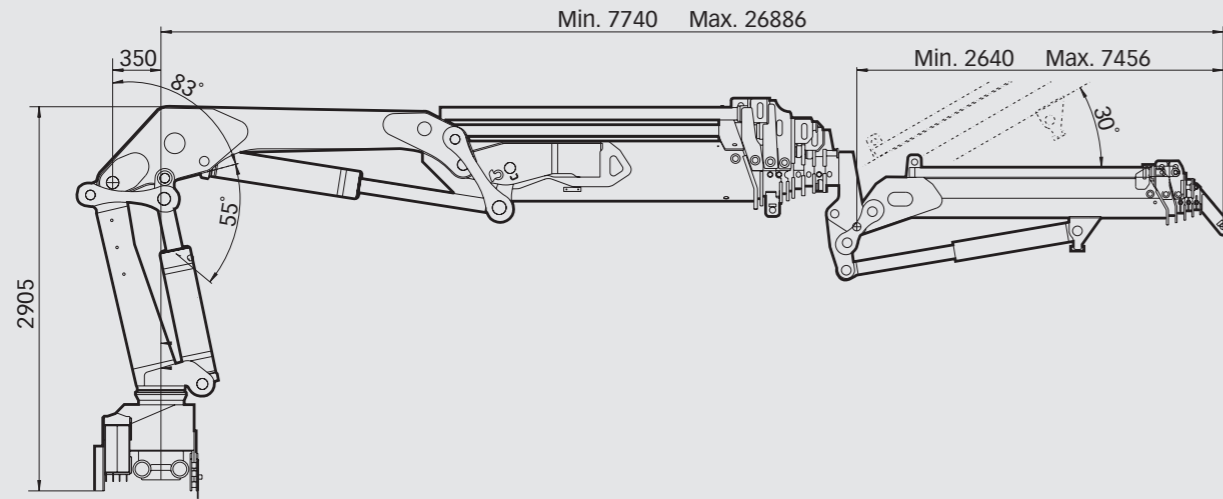
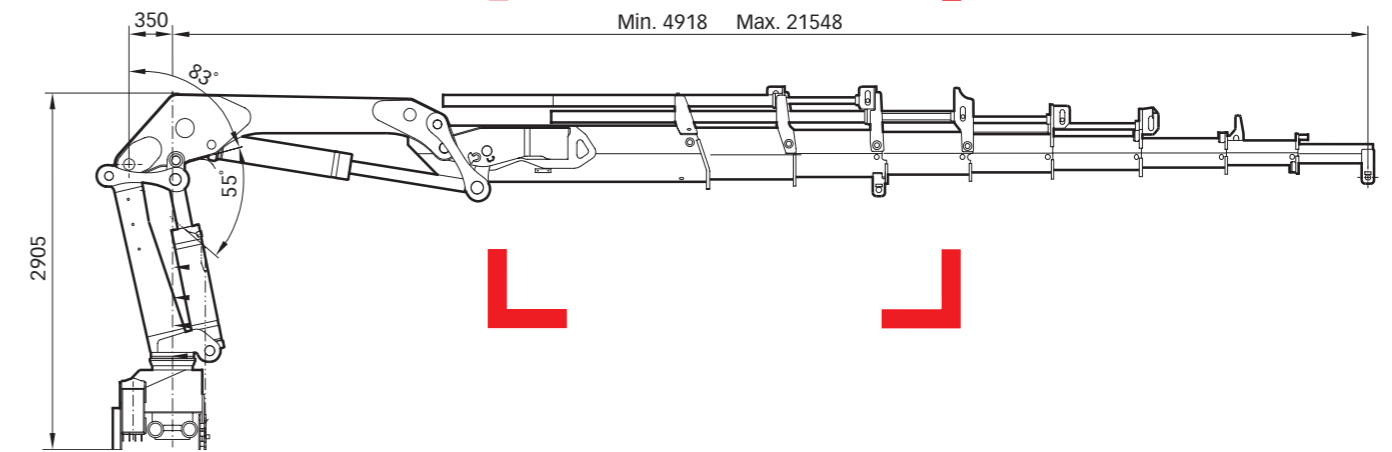


HIAB 400 E Basic data

> HIAB 400 E-7 jib 65X-3



HIAB 400 E Capacity 40 tm



Basic data

Disclaimer

Hiab cranes has been built to meet the highest standards of safety and service life and has been thoroughly tested. Strength calculations for this model have been carried out in accordance with DIN 15018. Hiab's certified Quality Assurance System complies with the ISO 9001. Some of the items in our literature may be extra equipment. Certain applications may require an official permit. We reserve the right to change technical specifications without prior notice. Hiab cranes produced for EU-countries are CE-marked and comply with the European Standard EN 12999.

BD-400E-EN-EU_050818

www.hiab.com



HIAB 400 E Basic data

Technical data

	400 E-3	400 E-4	400 E-5	400 E-6	400 E-7	400 E-8
Max. lifting capacity (kNm)	351	342	334	327	320	316
Outreach - hydraulic extensions (m)	10.6	12.6	14.8	17.0	19.3	21.5
Outreach - manual extensions (m)	23.9	23.8	23.8	23.9	23.9	-
Outreach - jib (m)	-	-	-	24.5	26.9	-
Outreach / lifting capacity (m / kg)	2.0 / 15700*	2.0 / 15500*	2.0 / 15200*	2.0 / 15000*	2.0 / 14800*	2.0 / 14600*
	3.3 / 10000*	3.3 / 10000*	3.3 / 9900*	3.3 / 9700*	3.3 / 9500*	3.3 / 9400*
	4.8 / 7450	4.8 / 7250	4.8 / 7100	4.8 / 6900	4.8 / 6700	4.8 / 6650
	6.5 / 5350	6.5 / 5150	6.5 / 5000	6.5 / 4800	6.6 / 4600	6.6 / 4470
	8.4 / 4100	8.4 / 3850	8.4 / 3670	8.4 / 3500	8.5 / 3280	8.5 / 3180
	10.5 / 3250	10.5 / 3030	10.5 / 2830	10.5 / 2630	10.5 / 2470	10.5 / 2350
	-	12.5 / 2500	12.5 / 2300	12.5 / 2100	12.6 / 1920	12.6 / 1800
	-	-	14.7 / 1930	14.7 / 1730	14.8 / 1550	14.8 / 1430
	-	-	-	16.9 / 1480	17.0 / 1300	17.0 / 1180
	-	-	-	-	19.2 / 1130	19.1 / 1000
	-	-	-	-	-	21.4 / 890
Outreach / Lifting capacity, with jib (m / kg)	-	-	-	19.6 / 760	21.8 / 490	-
	-	-	-	21.1 / 690	23.3 / 440	-
	-	-	-	22.7 / 630	24.9 / 400	-
	-	-	-	24.4 / 580	26.6 / 370	-
Slewing angle	400°	400°	400°	400°	400°	400°
Height in folded position (mm)	2410	2410	2410	2410	2410	2410
Width in folded position (mm)	2490	2490	2490	2490	2490	2490
Installation space needed (mm)	1304	1358	1373	1373	1373	1373
Weight - "standard" crane without stabilizers (kg)	3890	4120	4355	4635	4840	4970
Weight - stabilizer equipment (kg)	450 - 730	450 - 730	450 - 730	450 - 730	450 - 730	450 - 730
Weight - jib (kg)	-	-	-	690**	655**	-

* May require special hook or special hook position

** Incl. hose and pipe kit

HIAB 400 E-8

