

HYDRAULIC CRAWLER CRANE

KOBELCO

CKE1200

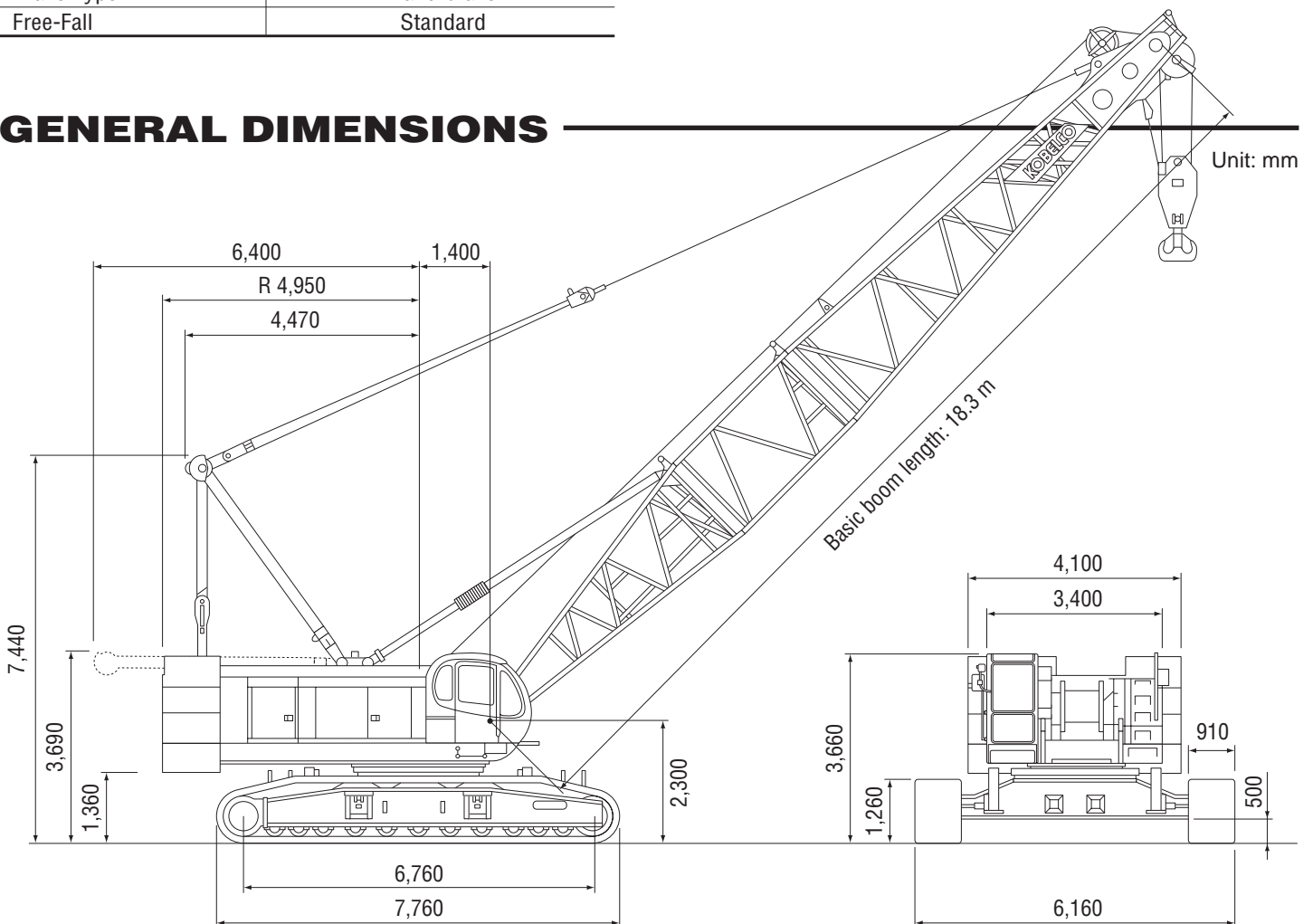
Max. Lifting Capacity: 120 t
Max. Boom Length: 73.2 m
Max. Fixed Jib Combination: 61.0 + 24.4 m
Max. Luffing Jib Combination: 50.1 + 44.2 m

S P E C I F I C A T I O N S

Main Boom	
Max. Lifting Capacity	120 t / 5.0 m
Max. Length	73.2 m
Fixed Jib	
Max. Lifting Capacity	11 t / 12.5 m
Max. Length	24.4 m
Max. Combination	64.0 m + 18.3 m, 61.0 m + 24.4 m
Luffing Tower	
Max. Length	44.2 m
Max. Combination	50.1 m + 44.2 m
Main & Aux. Winch	
Max. Line Speed	100 m/min (1st layer)
Rated Line Pull	108 kN (11 tf)
Max. Line Pull	196 kN (20 tf)
Wire Rope	26 mm
Wire Rope Length	250 m (Main) 200 m (Aux.)
Brake Type	Band brake
Free-Fall	Standard

Working Speed	
Swing Speed	2.5 min ⁻¹ (rpm)
Travel Speed	1.37 / 0.8 km/h
Power Plant	
Model	Mitsubishi 6D24-TUB
Engine Output	198 kW/2,000 min ⁻¹ (rpm)
Fuel Tank Capacity	400 liters
Hydraulic System	
Main Pumps	3 variable displacement
Max. Pressure	30.9 MPa (315 kgf/cm ²)
Hydraulic Tank Capacity	400 liters
Weight	
Operating Weight	Approx. 113.9 t
Counterweight	40.5 t
Transport Weight	34.0 t (Main machine and carbody)
Ground Pressure	85 kPa (0.87 kgf/cm ²)

GENERAL DIMENSIONS



KOBELCO CONSTRUCTION MACHINERY CO., LTD.

MAIN BOOM LIFTING CAPACITY

CKE1200

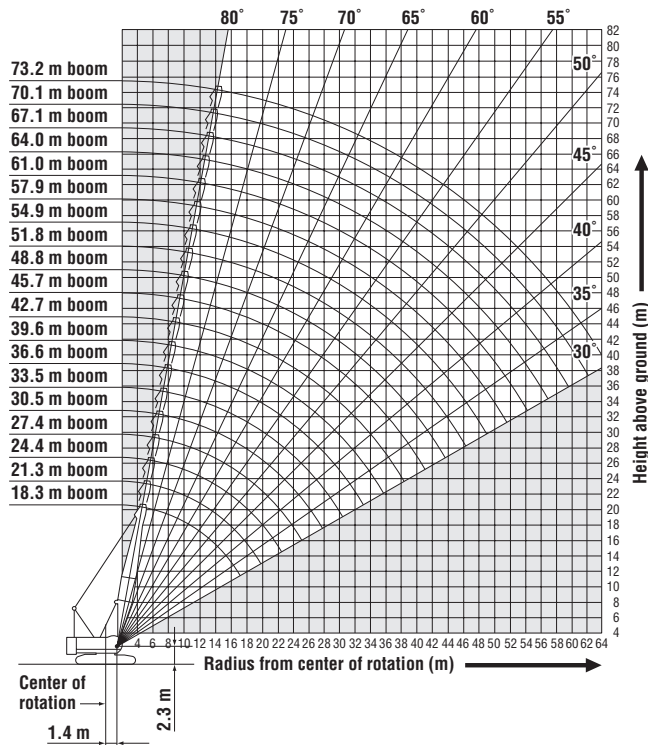
Rated loads in metric tons for 360° working area (Counterweight: 40.5 t)

Crawlers fully extended

Boom length m (ft)	18.3 (60)	21.3 (70)	24.4 (80)	27.4 (90)	30.5 (100)	33.5 (110)	36.6 (120)	39.6 (130)	42.7 (140)	45.7 (150)	48.8 (160)	51.8 (170)	54.9 (180)	57.9 (190)	61.0 (200)	64.0 (210)	67.1 (220)	70.1 (230)	73.2 (240)	
5.0	5.0/120.0	5.6/90.0																		
6.0	100.0	90.0	6.1/80.0	6.6/70.0																
7.0	83.5	80.0	80.0	70.0	7.2/60.0	7.7/60.0														
8.0	70.8	68.1	65.6	63.4	60.0	59.2	8.2/50.0	8.8/50.0												
9.0	61.4	59.2	57.2	55.4	53.7	52.0	50.0	49.0	9.3/40.0	9.8/40.0										
10.0	52.7	52.3	50.6	49.2	47.7	46.3	45.2	43.8	40.0	40.0	10.3/30.0	10.9/30.0	11.4/30.0	11.9/30.0						
12.0	40.8	40.5	40.3	40.0	38.9	37.9	37.0	35.9	35.1	34.2	30.0	30.0	30.0	30.0	12.5/20.0	13.0/20.0	13.5/20.0			
14.0	33.2	32.9	32.6	32.5	32.3	31.8	31.2	30.3	29.7	29.0	28.3	27.6	26.9	26.2	20.0	20.0	20.0	14.0/20.0	14.6/19.3	
16.0	27.8	27.5	27.3	27.1	26.9	26.7	26.7	26.1	25.5	24.9	24.4	23.8	23.2	22.6	20.0	20.0	20.0	19.6	18.0	
18.0	17.5/23.9	23.6	23.3	23.2	23.0	22.8	22.7	22.4	22.3	21.8	21.3	20.8	20.3	19.7	19.4	18.9	18.4	17.8	16.4	
20.0		20.6	20.3	20.2	19.9	19.7	19.6	19.4	19.3	19.1	18.8	18.3	17.9	17.4	17.1	16.6	16.1	15.7	14.9	
22.0		20.1/20.4	17.9	17.8	17.5	17.3	17.2	17.0	16.9	16.7	16.5	16.3	15.9	15.4	15.2	14.8	14.3	13.9	13.4	
24.0			22.7/17.2	15.8	15.6	15.4	15.3	15.0	14.9	14.7	14.6	14.4	14.2	13.8	13.5	13.2	12.7	12.4	11.9	
26.0				25.4/14.7	14.0	13.8	13.7	13.4	13.3	13.1	12.9	12.8	12.6	12.3	12.2	11.8	11.4	11.0	10.6	
28.0					28.0/12.6	12.4	12.3	12.0	11.9	11.7	11.6	11.4	11.2	11.0	10.9	10.6	10.2	9.9	9.5	
30.0						11.3	11.2	10.9	10.8	10.6	10.4	10.2	10.1	9.8	9.7	9.6	9.2	8.8	8.4	
32.0						30.7/11.0	10.2	9.9	9.7	9.6	9.4	9.2	9.0	8.8	8.7	8.5	8.3	7.9	7.4	
34.0							33.3/9.6	9.0	8.9	8.7	8.5	8.3	8.2	7.9	7.8	7.7	7.4	7.1	6.6	
36.0								35.9/8.3	8.1	8.0	7.8	7.6	7.4	7.1	7.1	6.9	6.6	6.3	5.9	
38.0									7.5	7.3	7.1	6.9	6.7	6.5	6.4	6.2	6.0	5.7	5.3	
40.0									38.6/7.3	6.7	6.5	6.3	6.1	5.8	5.8	5.6	5.3	5.1	4.7	
42.0										41.2/6.4	5.9	5.7	5.6	5.3	5.2	5.0	4.8	4.6	4.2	
44.0											43.9/5.5	5.3	5.1	4.8	4.7	4.5	4.3	4.1	3.8	
46.0												4.8	4.6	4.4	4.3	4.1	3.9	3.7	3.4	
48.0												46.5/4.7	4.3	4.0	3.9	3.7	3.4	3.3	3.0	
50.0													49.1/4.0	3.6	3.5	3.3	3.1	2.9	2.6	
52.0														51.8/3.3	3.2	3.0	2.7	2.5	2.3	
54.0															2.9	2.7	2.4	2.2	2.0	
56.0															54.4/2.8	2.4	2.1	1.9	1.7	
58.0																57.0/2.3	1.9	1.7	1.4	
60.0																	59.7/1.6	1.4	60.0/1.2	
62.0																		1.1		
64.0																			62.3/1.0	

- Note: 1. Rating according to DIN 15018/3 and prEN 13300.
 2. Rating shown in are determined by the strength of the boom or other structural components.
 3. Instruction in the operator's manual must be strictly observed when operating the machine.

WORKING RADIUS



FIXED JIB LIFTING CAPACITY PRELIMINARY

Rated loads in metric tons for 360° working area (Jib offset angle: 10°)

Working radius (m)	39.6 m		51.8 m		64.0 m		
	Jib length	12.2 m	24.4 m	12.2 m	24.4 m	12.2 m	18.3 m
12.0 m		12.5/11.0					
14.0 m		11.0		14.7/11.0			
16.0 m		11.0	16.7/6.5	11.0		16.8/11.0	
18.0 m		11.0	6.5	11.0	18.8/6.5	11.0	18.8/10.0
20.0 m		11.0	6.5	11.0	6.5	11.0	10.0
22.0 m		11.0	6.5	11.0	6.5	11.0	10.0
24.0 m		11.0	6.5	11.0	6.5	11.0	10.0
26.0 m		11.0	6.5	11.0	6.5	11.0	10.0
28.0 m		11.0	6.5	11.0	6.5	10.5	10.0
30.0 m		10.7	6.5	10.0	6.5	9.3	9.7
32.0 m		9.7	6.5	9.0	6.5	8.3	8.7
34.0 m		8.8	6.5	8.1	6.5	7.5	7.8
36.0 m		8.1	6.5	7.4	6.5	6.7	7.0
38.0 m		7.4	6.5	6.7	6.5	6.0	6.3
40.0 m		6.8	6.4	6.1	6.5	5.4	5.7
42.0 m		6.3	6.3	5.5	6.0	4.8	5.1
44.0 m		5.8	6.2	5.1	5.5	4.2	4.6
46.0 m		5.4	5.7	4.6	5.0	3.7	4.0
48.0 m		47.4/5.1	5.3	4.2	4.6	3.2	3.6
50.0 m			5.0	3.7	4.3	2.8	3.1
52.0 m			4.6	3.4	3.9	2.4	2.7
54.0 m			4.3	3.0	3.5	2.0	2.4
56.0 m			4.0	2.7	3.2		2.0
58.0 m			3.7	2.4	2.8		

Note: Due to our policy of continual product improvements all designs and specifications are subject to change without advance notice.



KOBELCO CONSTRUCTION MACHINERY CO., LTD.

3-13, Nihonbashi 1-chome, Chuo-ku, TOKYO, 103-8246 JAPAN
 Tel: ++81 (0) 3-3278-7080 Fax: ++81 (0) 3-3278-7141

KOBELCO CONSTRUCTION MACHINERY (EUROPE) B. V.

Bolderweg 50, 1332 AW Almere, The Netherlands
 TEL: +31-36-549-5500 (5563) FAX: +31-36-549-5558