



PARTS MANUAL

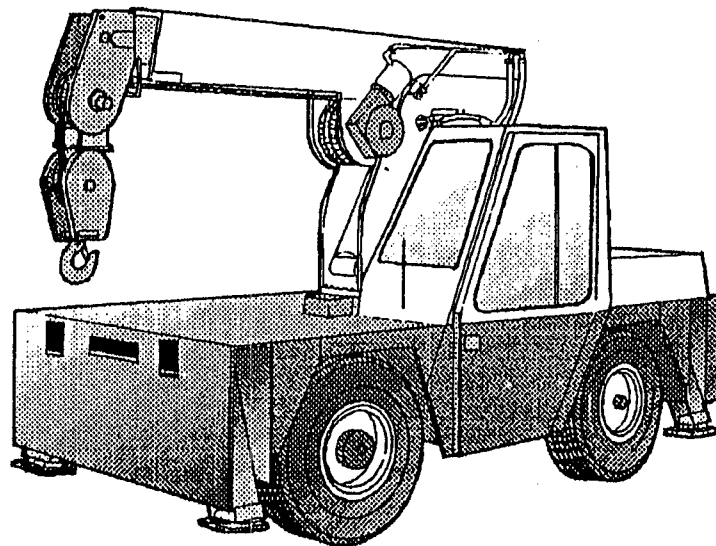
770 MK

PARTS PLATES IN THIS BOOK ARE DIVIDED INTO 4 SECTIONS:

SECTION "A" (ACCESSORY)
SECTION "O" (OPTION)
SECTION "S" (STANDARD)
SECTION "V" (VENDOR)

THE PART NUMBER FOR EACH PARTS PLATE HAS A PREFIX LETTER WHICH INDICATES THE SECTION WHERE IT CAN BE FOUND.
EXAMPLE: S-0105 - WOULD BE IN SECTION "S" LOCATED BY 0105 NUMERICALLY.

PART NUMBERS PRECEDED BY AN * (ASTERISK) HAVE A PARTS BREAKDOWN PLATE LOCATED NUMERICALLY IN SECTION "V".



INDEX - BY SUBJECT -

DESCRIPTION	PLATE	REV
ACCELERATOR PEDAL and CABLE	S-0102	A
ANTI-DOUBLE BLOCKING PARTS	S-0206	D
BOOM - 3 SECTION	O-1201	B
BOOM - 4 SECTION	O-1202	B
BRAKE LINES - 2 & 4 WHEEL STEER (HURTH)	O-1002	B
BRAKE LINES - 2 WHL STEER (ROCKWELL AXLE)	O-1001	B
BRAKE PEDAL and LINKAGE	S-0104	A
CAB - STANDARD	S-0101	B
CAB PARTS, ENCLOSED	A-0105	A
COLD START KIT	A-0101	A
CONTROL LEVERS and CABLES	S-0105	A
COOLING TUBING FOR FORW-REV TRANSMISSION	S-0301	B
COUNTERWEIGHT, REAR	A-0117	A
DRIVE AXLE (ROCKWELL NO-SPIN) - 2 WHL STEER	O-0701	A
DRIVE-RIGID AXLE (HURTH NO-SPIN) - 2 WHL STEER	O-0703	A
DRIVE-STEER AXLE (HURTH NO-SPIN) - 4 WHL STEER	O-0702	C
ENGINE - SEE POWER TRAIN	-	-
EXHAUST - DIESEL ENGINE - W/CATALYTIC CONVERTER	O-0402	B
EXHAUST - DIESEL ENGINES - STANDARD	O-0401	B
EXHAUST - GAS & DUAL FUEL ENG - W/ SPARK ARR.	O-0404	A
EXHAUST - GAS & DUAL FUEL ENGINES - STANDARD	O-0403	A
FLUID and LUBE - DIESEL (2 & 4 WHL STEER) (HURTH AXLE)	O-1102	B
FLUID and LUBE - DIESEL (2 WHL STEER) (ROCKWELL AXLE)	O-1101	B
FLUID and LUBE - GAS (2 & 4 WHL STEER) (HURTH AXLE)	O-1104	B
FLUID and LUBE - GAS (2 WHL STEER) (ROCKWELL AXLE)	O-1103	B
FRAME and ATTACHING PARTS	S-0202	B
FUEL LINES - DIESEL	O-0301	A
FUEL LINES - GAS & DUAL FUEL	O-0302	A
HEATER, DEFROSTER	A-0111	B
HITCH, FRONT	A-0108	A
HITCH, REAR	A-0107	A
HOOK & BALL, 1 PART LINE	A-0115	C
HOOK, BLOCK & ROPE, 4/2 PART, 18.9 RATIO	S-0207	A
HYDRAULIC TANK and LINES	S-0302	A
HYDRAULICS, UPPER	S-0303	D
JIB ASSEMBLY - 10 FT	A-0120	B
JIB ASSEMBLY - 8 FT	A-0119	B
LIFTING LUGS	A-0106	B
LIGHT, STROBE	A-0113	A
LIGHTS, UPPER WORK	A-0118	A
MAIN HOIST, LIFT CYLINDER and PINS	S-0204	A
MAST and ATTACHING PARTS	S-0203	C
OUTRIGGER TUBING and CYLINDERS, FRONT	S-0305	B
OUTRIGGER TUBING and CYLINDERS, REAR	S-0306	B
OUTRIGGER TUBING SUPPLY	S-0304	A
PAINT and DECALS - PETTIBONE	O-1502	B

INDEX - BY SUBJECT -

DESCRIPTION	PLATE	REV
PARKING BRAKE and CABLE	S-0107	B
POWER TRAIN - DIESEL ENGINE	O-0101	C
POWER TRAIN - DUAL FUEL ENGINE	O-0103	B
POWER TRAIN - GAS ENGINE	O-0102	C
RADIATOR & AIR CLEANER - GAS & DUAL FUEL	O-0202	B
RADIATOR, AIR CLEANER & PARTS - DIESEL	O-0201	A
REAR HITCH - MILITARY - MS 51118	A-0109	A
SEAT - STANDARD	O-1401	A
SEAT - SUSPENSION	O-1402	A
SOUND REDUCTION PACKAGE	A-0112	A
SPARE TIRE - FRONT (2 & 4 WHL STEER) (HURTH AXLE)	A-0104	D
SPARE TIRE - FRONT (2 WHL STEER) (ROCKWELL AXLE)	A-0103	C
SPARE TIRE - REAR (2 & 4 WHL STEER)	A-0102	B
STEERING AXLE	S-0201	C
STEERING TUBING - 2 WHEEL STEER W/POWER BRAKE	O-0903	A
STEERING WHEEL, COLUMN and ORBITROL	S-0106	A
TUBING, LOW PRESSURE	S-0309	A
TUBING, MAIN VALVES TO SWIVEL	S-0308	C
TUBING, PUMP TO VALVES	S-0310	B
TUBING, STEERING - 2 WHL STEER	O-0901	A
TUBING, STEERING - 4 WHL STEER	O-0902	A
TUBING, SWING MOTOR	S-0307	A
VALVE BANK	S-0205	B
WHEEL - FRONT - 2 OR 4 WHL STEER HURTH (2 REQ'D)	O-0802	B
WHEEL - FRONT - 2 WHL STEER (2 REQ'D) -ROCKWEL AXLE ONLY	O-0801	B
WHEEL - REAR (2 REQ'D)	S-0208	A
WINCH ANTI-DOUBLE BLOCKING CUTOUT	A-0116	A
WINCH, BELOW DECK	A-0114	A
WIRING HARNESS, DIESEL ENGINE	O-0601	A
WIRING HARNESS, GAS & DUAL FUEL	O-0602	A
WIRING HARNESS, INSTRUMENT PANEL	S-0403	A
WIRING HARNESS, MAIN	S-0401	A
WIRING HARNESS, OUTRIGGER	S-0402	B
WIRING HARNESS, TRANSMISSION	S-0404	B

INDEX - STANDARD PLATES -

DESCRIPTION	PLATE	REV
ACCELERATOR PEDAL and CABLE	S-0102	A
ANTI-DOUBLE BLOCKING PARTS	S-0206	D
BRAKE PEDAL and LINKAGE	S-0104	A
CAB - STANDARD	S-0101	B
CONTROL LEVERS and CABLES	S-0105	A
COOLING TUBING FOR FORW-REV TRANSMISSION	S-0301	B
FRAME and ATTACHING PARTS	S-0202	B
HOOK, BLOCK & ROPE, 4/2 PART, 18.9 RATIO	S-0207	A
HYDRAULIC TANK and LINES	S-0302	A
HYDRAULICS, UPPER	S-0303	D
MAIN HOIST, LIFT CYLINDER and PINS	S-0204	A
MAST and ATTACHING PARTS	S-0203	C
OUTRIGGER TUBING and CYLINDERS, FRONT	S-0305	B
OUTRIGGER TUBING and CYLINDERS, REAR	S-0306	B
OUTRIGGER TUBING SUPPLY	S-0304	A
PARKING BRAKE and CABLE	S-0107	B
STEERING AXLE	S-0201	C
STEERING WHEEL, COLUMN and ORBITROL	S-0106	A
TUBING, LOW PRESSURE	S-0309	A
TUBING, MAIN VALVES TO SWIVEL	S-0308	C
TUBING, PUMP TO VALVES	S-0310	B
TUBING, SWING MOTOR	S-0307	A
VALVE BANK	S-0205	B
WHEEL - REAR (2 REQ'D)	S-0208	A
WIRING HARNESS, INSTRUMENT PANEL	S-0403	A
WIRING HARNESS, MAIN	S-0401	A
WIRING HARNESS, OUTRIGGER	S-0402	B
WIRING HARNESS, TRANSMISSION	S-0404	B

INDEX - OPTIONS PLATES

DESCRIPTION	PLATE	REV
BOOM - 3 SECTION	0-1201	B
BOOM - 4 SECTION	0-1202	B
BRAKE LINES - 2 & 4 WHEEL STEER (HURTH)	0-1002	B
BRAKE LINES - 2 WHL STEER (ROCKWELL AXLE)	0-1001	B
DRIVE AXLE (ROCKWELL NO-SPIN) - 2 WHL STEER	0-0701	A
DRIVE-RIGID AXLE (HURTH NO-SPIN) - 2 WHL STEER	0-0703	A
DRIVE-STEER AXLE (HURTH NO-SPIN) - 4 WHL STEER	0-0702	C
EXHAUST - DIESEL ENGINE - W/CATALYTIC CONVERTER	0-0402	B
EXHAUST - DIESEL ENGINES - STANDARD	0-0401	B
EXHAUST - GAS & DUAL FUEL ENG - W/ SPARK ARR.	0-0404	A
EXHAUST - GAS & DUAL FUEL ENGINES - STANDARD	0-0403	A
FLUID and LUBE - DIESEL (2 & 4 WHL STEER) (HURTH AXLE)	0-1102	B
FLUID and LUBE - DIESEL (2 WHL STEER) (ROCKWELL AXLE)	0-1101	B
FLUID and LUBE - GAS (2 & 4 WHL STEER) (HURTH AXLE)	0-1104	B
FLUID and LUBE - GAS (2 WHL STEER) (ROCKWELL AXLE)	0-1103	B
FUEL LINES - DIESEL	0-0301	A
FUEL LINES - GAS & DUAL FUEL	0-0302	A
PAINT and DECALS - PETTIBONE	0-1502	B
POWER TRAIN - DIESEL ENGINE	0-0101	C
POWER TRAIN - DUAL FUEL ENGINE	0-0103	B
POWER TRAIN - GAS ENGINE	0-0102	C
RADIATOR & AIR CLEANER - GAS & DUAL FUEL	0-0202	B
RADIATOR, AIR CLEANER & PARTS - DIESEL	0-0201	A
SEAT - STANDARD	0-1401	A
SEAT - SUSPENSION	0-1402	A
STEERING TUBING - 2 WHEEL STEER W/POWER BRAKE	0-0903	A
TUBING, STEERING - 2 WHL STEER	0-0901	A
TUBING, STEERING - 4 WHL STEER	0-0902	A
WHEEL - FRONT - 2 OR 4 WHL STEER HURTH (2 REQ'D)	0-0802	B
WHEEL - FRONT - 2 WHL STEER (2 REQ'D) -ROCKWEL AXLE ONLY	0-0801	B
WIRING HARNESS, DIESEL ENGINE	0-0601	A
WIRING HARNESS, GAS & DUAL FUEL	0-0602	A

INDEX - ACCESSORIES PLATES -

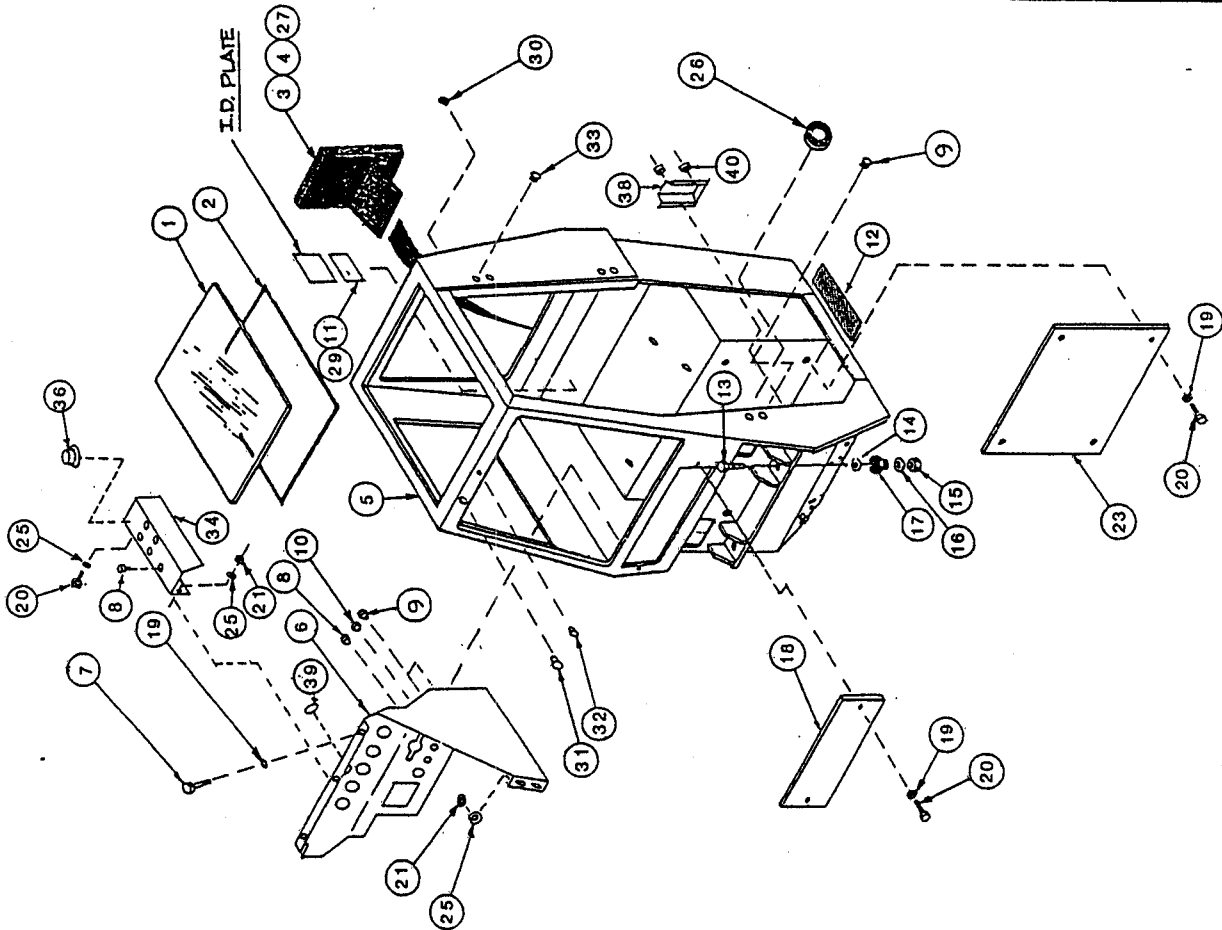
DESCRIPTION	PLATE	REV
CAB PARTS, ENCLOSED	A-0105	A
COLD START KIT	A-0101	A
COUNTERWEIGHT, REAR	A-0117	A
HEATER, DEFROSTER	A-0111	B
HITCH, FRONT	A-0108	A
HITCH, REAR	A-0107	A
HOOK & BALL, 1 PART LINE	A-0115	C
JIB ASSEMBLY - 10 FT	A-0120	B
JIB ASSEMBLY - 8 FT	A-0119	B
LIFTING LUGS	A-0106	B
LIGHT, STROBE	A-0113	A
LIGHTS, UPPER WORK	A-0118	A
REAR HITCH - MILITARY - MS 51118	A-0109	A
SOUND REDUCTION PACKAGE	A-0112	A
SPARE TIRE - FRONT (2 & 4 WHL STEER) (HURTH AXLE)	A-0104	D
SPARE TIRE - FRONT (2 WHL STEER) (ROCKWELL AXLE)	A-0103	C
SPARE TIRE - REAR (2 & 4 WHL STEER)	A-0102	B
WINCH ANTI-DOUBLE BLOCKING CUTOUT	A-0116	A
WINCH, BELOW DECK	A-0114	A

STANDARD PLATES

INDEX - STANDARD PLATES -

DESCRIPTION	PLATE	REV
ACCELERATOR PEDAL and CABLE	S-0102	A
ANTI-DOUBLE BLOCKING PARTS	S-0206	D
BRAKE PEDAL and LINKAGE	S-0104	A
CAB - STANDARD	S-0101	B
CONTROL LEVERS and CABLES	S-0105	A
COOLING TUBING FOR FORW-REV TRANSMISSION	S-0301	B
FRAME and ATTACHING PARTS	S-0202	B
HOOK, BLOCK & ROPE, 4/2 PART, 18.9 RATIO	S-0207	A
HYDRAULIC TANK and LINES	S-0302	A
HYDRAULICS, UPPER	S-0303	D
MAIN HOIST, LIFT CYLINDER and PINS	S-0204	A
MAST and ATTACHING PARTS	S-0203	C
OUTRIGGER TUBING and CYLINDERS, FRONT	S-0305	B
OUTRIGGER TUBING and CYLINDERS, REAR	S-0306	B
OUTRIGGER TUBING SUPPLY	S-0304	A
PARKING BRAKE and CABLE	S-0107	B
STEERING AXLE	S-0201	C
STEERING WHEEL, COLUMN and ORBITROL	S-0106	A
TUBING, LOW PRESSURE	S-0309	A
TUBING, MAIN VALVES TO SWIVEL	S-0308	C
TUBING, PUMP TO VALVES	S-0310	B
TUBING, SWING MOTOR	S-0307	A
VALVE BANK	S-0205	B
WHEEL - REAR (2 REQ'D)	S-0208	A
WIRING HARNESS, INSTRUMENT PANEL	S-0403	A
WIRING HARNESS, MAIN	S-0401	A
WIRING HARNESS, OUTRIGGER	S-0402	B
WIRING HARNESS, TRANSMISSION	S-0404	B

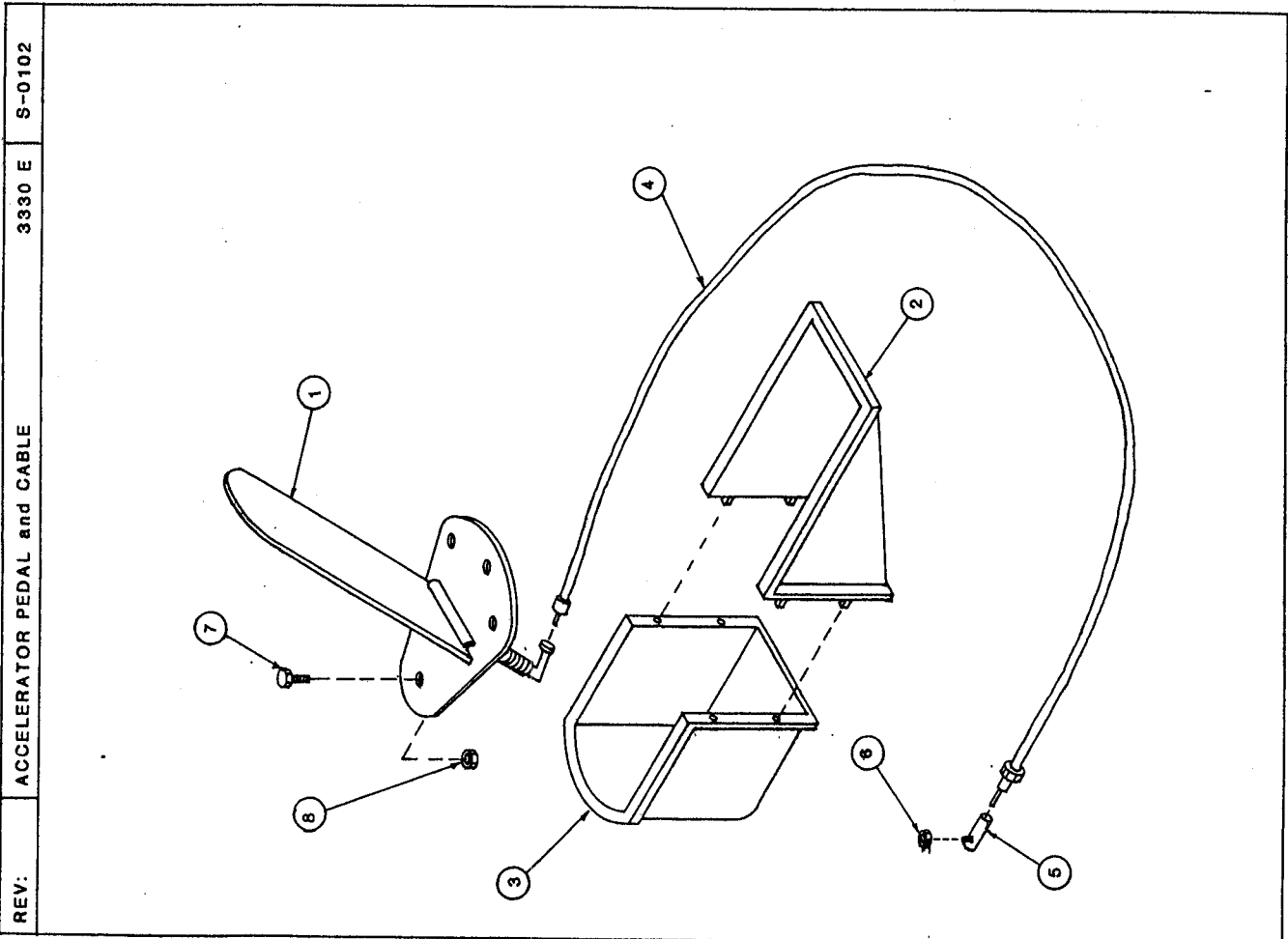
REV: B CAB - STANDARD 3330 E S-0101



SERVICE / PARTS BILL OF MATERIAL

PLATE	ITEM	QTY	PART NO	A	DESCRIPTION	REV	BON CHANGE
S-0101	1	1	1100113		CAB - STANDARD		
	2	90	1000039		GLASS - TOP PANEL (PURCH. LOCALLY)		
	3	2	151-532		SEALANT - BUTYL 1/4"		
	4	1	1000036		RIVET		
	5	1	1300108		BOX - OPERATORS MANUAL		
	6	1	1300105		OPERATORS COMPARTMENT		
	7	3	113-207		PANEL - INSTRUMENT		
	8	4	353-404		BOLT - 3/8 X 1.00 NC HEX		
	9	3	353-402		PLUG - PLASTIC (.50)		
	10	1	353-407		PLUG - PLASTIC (.38)		
	11	1	1000420		PLUG - PLASTIC (.69)		
	12	2	S49675		PLATE - PATENT		
	13	4	113-441		CLEAT - SAFETY		
	14	4	195-106		BOLT - 1/2 X 2.25 NC HEX		
	15	4	131-70		WASHER - FLAT 1/2 (.562-1.375)		
	16	4	195-536		NUT - LOCK 1/2 NC		
	17	4	1000001		WASHER - FLAT (.562-1.875)		
	18	1	S236142		GROMMET - CAB MOUNTING		
	19	9	192-21		COVER - INSTRUMENT ACCESS PANEL		
	20	6	113-206		WASHER - LOCK 3/8		
	21	3	131-52		BOLT - 3/8 X 0.75 NC HEX		
	22	1	1200141		NUT - LOCK 3/8 NC		
	23	1	195-104		PANEL COVER		
	24	4	195-516		WASHER - FLAT 3/8 (.438-1.000)		
	25	2	1000377		GROMMET - RUBBER		
	26	2	195-516		WASHER - FLAT #12 (.250-.562)		
	27	4	151-543		RIVET		
	28	1	353-401		PLUG - PLASTIC (.31)		
	29	1	353-406		PLUG - PLASTIC (.63)		
	30	1	353-421		PLUG - PLASTIC (.19)		
	31	4	353-403		PLUG - PLASTIC (.44)		
	32	1	1300104		PANEL - SIDE		
	33	1	1001674		LEVEL		
	34	1	1100260		KICK GUARD		
	35	1	1001305		PLUG - DOME		
	36	2	131-69		NUT - LOCK 5/16		

ITEMS MARKED WITH * SEE PARTS SUB PLATE FOR MORE DETAIL



REV: ACCELERATOR PEDAL and CABLE 3330 E S-0102

SERVICE / PARTS BILL OF MATERIAL

PLATE	ITEM	QTY	PART NO	A	DESCRIPTION	REV	BON CHANGE
S-0102							
	1	1	1100207		ACCELERATOR PEDAL and CABLE		
	2	1	1001190		PEDAL - ACCELERATOR		
	3	1	1001191		COVER - ACCELERATOR PEDAL, FRONT		
	4	1	1001192		COVER - ACCELERATOR PEDAL, REAR		
	5	1	1001233		CABLE - ACCELERATOR		
	6	1	131-1405		BALL JOINT		
	7	3	73-412		NUT - LOCK #10-32 NF		
	8	3	131-71		SCREW - FLT HD 1/4-20 x 0.75		
					NUT - LOCK 1/4 NC		

ITEMS MARKED WITH * SEE PARTS SUB PLATE FOR MORE DETAIL

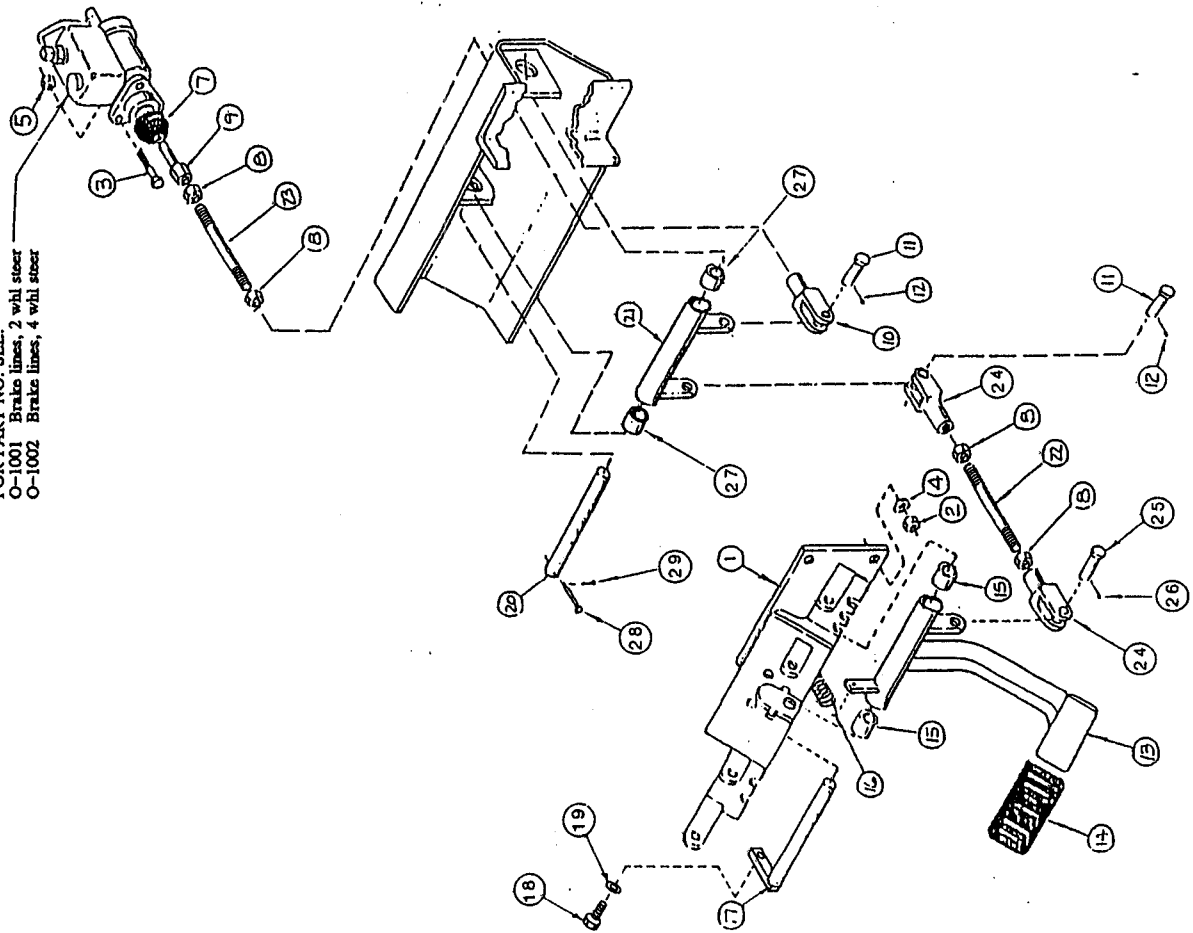
REV:

BRAKE PEDAL and LINKAGE

3330 E

S-0104

FOR PART NO. SEE:
 O-1001 Brake lines, 2 whl steer
 O-1002 Brake lines, 4 whl steer



SERVICE / PARTS BILL OF MATERIAL

PLATE	ITEM	QTY	PART NO	A	DESCRIPTION
S-0104	1	1	1300110	A	BRAKE PEDAL and LINKAGE
	2	4	131-52		BRACKET - DASHBOARD
	3	3	113-209		NUT - LOCK 3/8 NC
	4	4	195-104		BOLT - 3/8 X 1.50 NC HEX
	5	3	131-52		WASHER - FLAT 3/8 (.438-1.000)
	7	1	S107557		NUT - LOCK 3/8 NC
	8	4	129-167		BOOT - BRAKE
	9	1	S107547		NUT - 5/8 NC
	10	1	S71146		ROD - PUSH
	11	2	S10807		YOKE
	12	2	132-69		PIN - CLEVIS 1/2 X 1.188
	13	1	S514653		PIN - COTTER 5/32 X 1.00
	14	1	F9197		PEDAL - BRAKE
	15	2	S49218		PAD - BRAKE PEDAL
	16	1	S202938		BEARING
	17	1	1100218		SPRING
	18	1	113-207		PIN - BRAKE PEDAL LINKAGE
	19	1	192-21		BOLT - 3/8 X 1.00 NC HEX
	20	1	1000205		WASHER - LOCK 3/8
	21	1	1100075		PIN - BRAKE PEDAL LINKAGE
	22	1	1000207D1		LEVER - BRAKE OFFSET
	23	1	1000207D3		ROD - THREADED PUSH
	24	2	S71146		ROD - THREADED PUSH
	25	1	S10807		YOKE
	26	1	132-69		PIN - CLEVIS 1/2 X 1.188
	27	2	S49218		PIN - COTTER 5/32 X 1.00
	28	1	S10721		BEARING
	29	1	132-28		PIN - CLEVIS 1/4 X 1.601

DESCRIPTION

PART NO

PLATE

ITEM

QTY

A

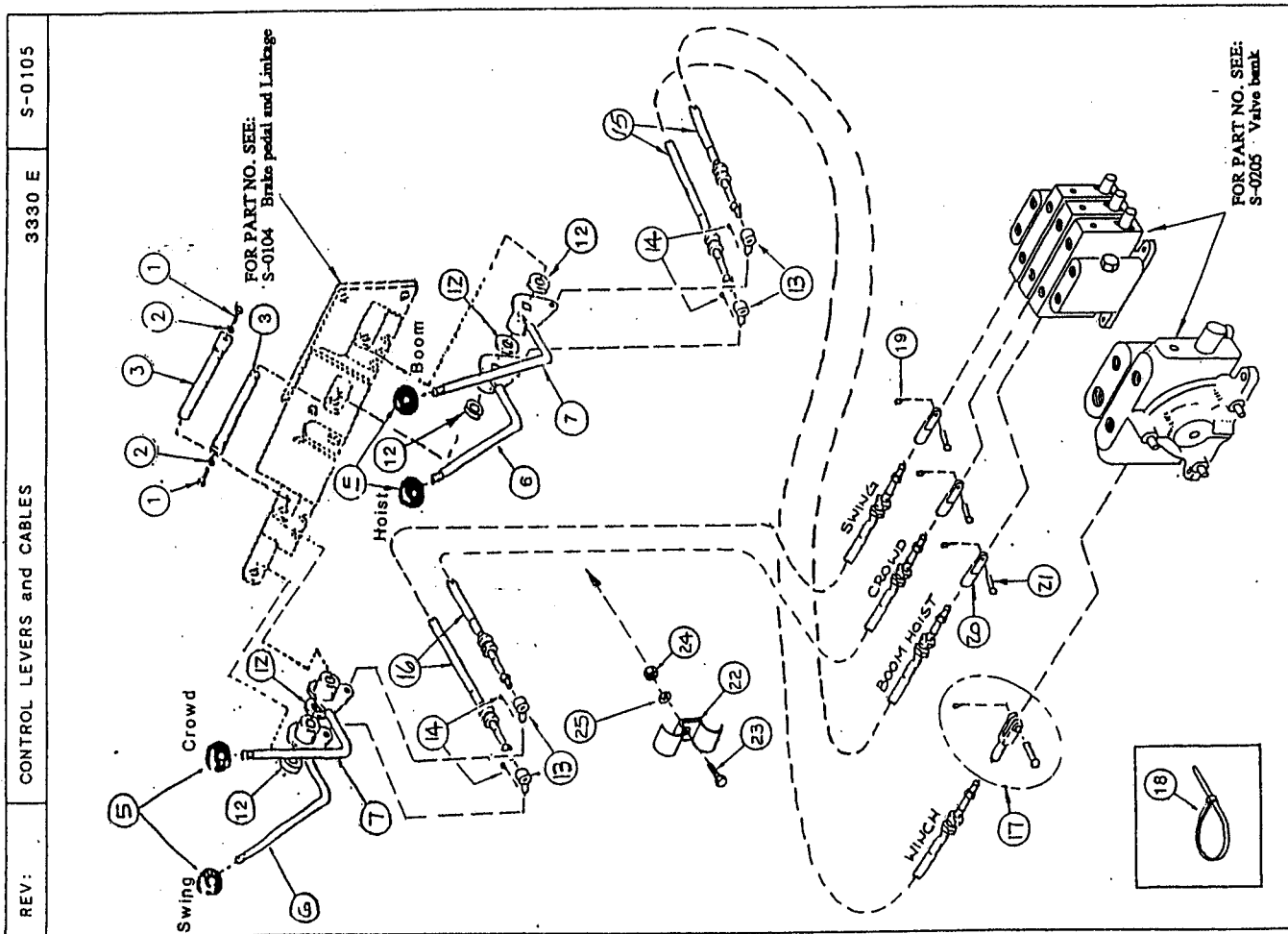
REV

BON CHANGE

A

ITEMS MARKED WITH * SEE PARTS SUB PLATE FOR MORE DETAIL

02/09/94



REV: CONTROL LEVERS and CABLES 3330 E S-0105

SERVICE / PARTS BILL OF MATERIAL

PLATE	ITEM	QTY	PART NO	A	DESCRIPTION
S-0105	1	2	113-207		CONTROL LEVERS and CABLES
	2	2	192-21		BOLT - 3/8 X 1.00 NC HEX
	3	2	1100214		WASHER - LOCK 3/8
	5	4	1000031		PIN - CONTROL LEVER PIVOT
	6	4	1100213		KNOB - BALL
	7	2	1100212		LEVER - CONTROL
	12	6	195-545		WASHER - FLAT 3/4 (.812-1.465)
	13	4	S97545		FITTING - CONTROL CABLE END
	14	4	132-24		PIN - COTTER 3/32 X 0.50
	15	2	S200775M1		CABLE - CONTROL 66"
	16	2	S237332		CABLE - CONTROL 82"
	17	1	1000365		YOKE ASSEMBLY
	18	10	1000104B		TIE - NYLON
	19	3	132-7		PIN - COTTER 1/16 X 0.75
	20	3	1000346		FITTING - CONTROL CABLE END
	21	3	S10704		PIN - GLEVIS 3/16 X 0.601
	22	1	1000405		CLAMP - DOUBLE 3/8
	23	1	113-3		BOLT - 1/4 X 0.75 NC HEX
	24	1	131-71		NUT - LOCK 1/4 NC
	25	1	195-518		WASHER - FLAT 1/4 (.281-.625)

REV BON CHANGE
A

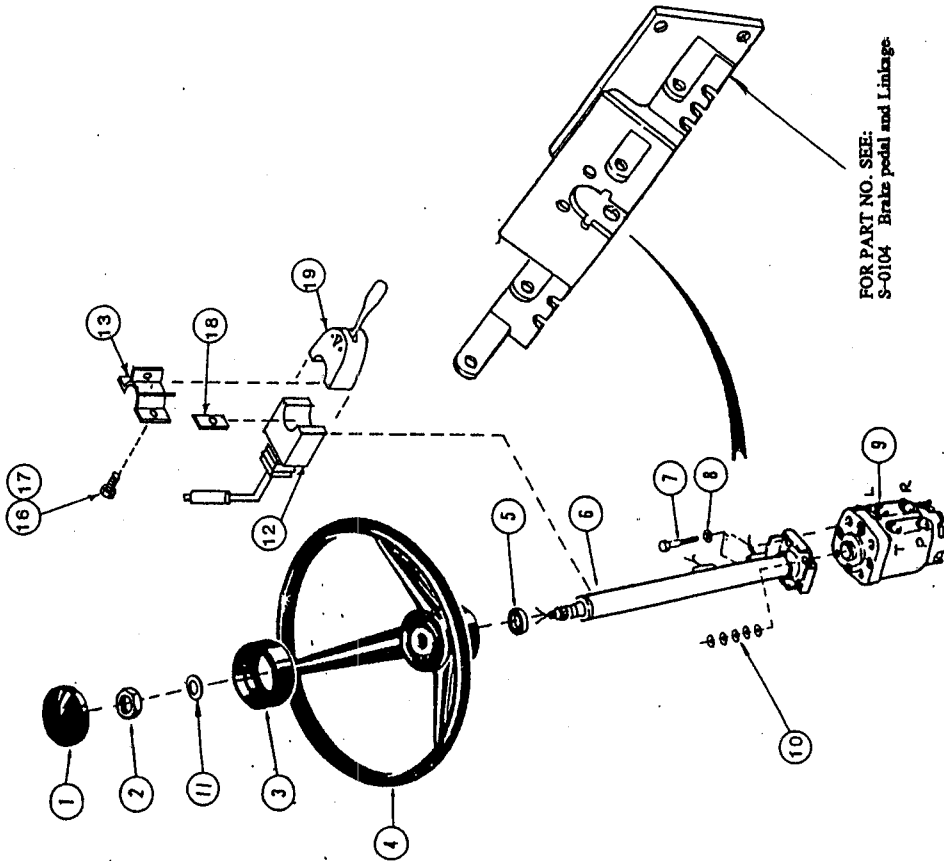
ITEMS MARKED WITH * SEE PARTS SUB PLATE FOR MORE DETAIL

REV: STEERING WHEEL, COLUMN and ORBITROL 3330 E S-0106

SERVICE / PARTS BILL OF MATERIAL

PLATE	ITEM	QTY	PART NO	A	DESCRIPTION
S-0106	1	1	L114161		STEERING WHEEL, COLUMN and ORBITROL
	2	1	L33715		HORN BUTTON
	3	1	L60175		NUT - STEERING WHEEL
	4	1	A65544		ADAPTOR - HORN BUTTON
	5	1	S63550		WHEEL - STEERING
	6	1	S232587		GROMMET
	7	4	113-209		COLUMN - STEERING
	8	4	192-21		BOLT - 3/8 X 1.50 NC HEX
	9	1	S237326	*	WASHER - LOCK 3/8
	10	10	195-104		ORBITROL - STEERING
	11	1	195-2099		WASHER - FLAT 3/8 (.438-1.000)
	12	1	1100189		WASHER - FLAT 7/8 (1.016-2.000)
	13	1	1100252		CONTROL LEVER - TRANSMISSION
	16	1	165-31		CLAMP - COLUMN
	17	1	165-33		BOLT - #10-32 x 0.50 SOC HD
	18	1	1001299		BOLT - #10-32 x 0.75 SOC HD
	19	1	S515141		BAR SWITCH - TURN SIGNAL

REV BON CHANGE
A



ITEMS MARKED WITH * SEE PARTS SUB PLATE FOR MORE DETAIL

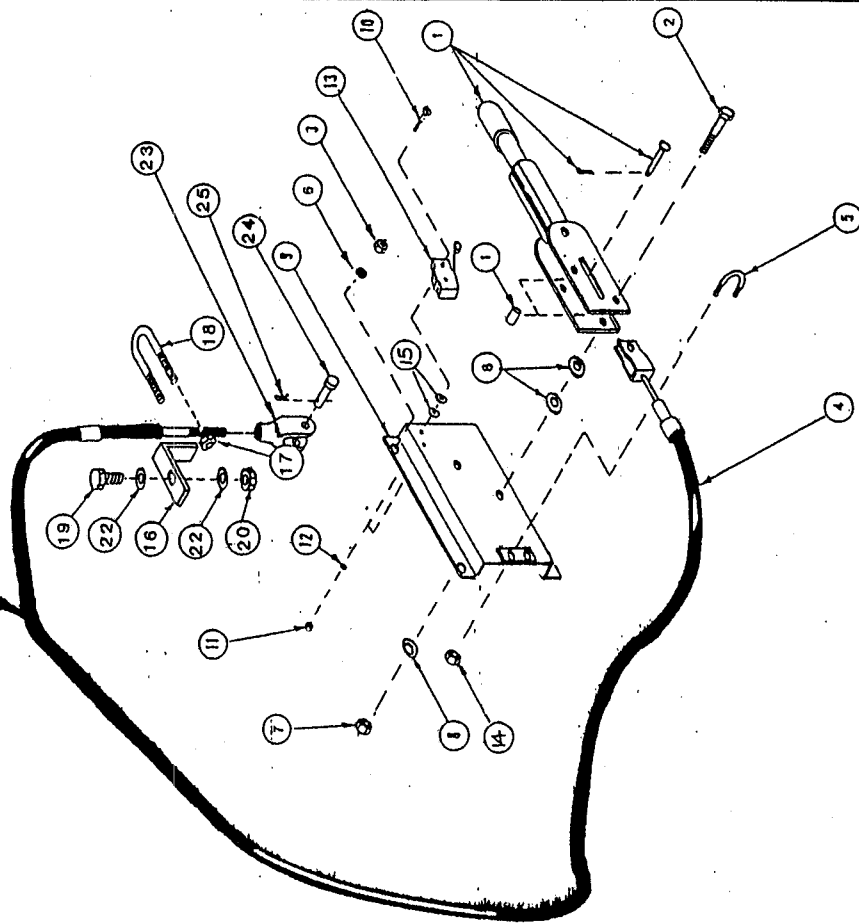
REV: B

PARKING BRAKE and CABLE

3330 E

S-0107

FOR CONTINUATION SEE:
 O-0101 Power train, Diesel
 O-0102 Power train, Gas
 O-0103 Power train, Dual fuel



SERVICE / PARTS BILL OF MATERIAL

PLATE	ITEM	QTY	PART NO	A	DESCRIPTION	REV	SON	CHANGE
S-0107	1	1	S26639		PARKING BRAKE and CABLE			
	2	2	113-213		LEVER - BRAKE			
	3	4	131-69		BOLT - 3/8 X 2.25 NC HEX			
	4	1	S230935		NUT - LOCK 5/16 NC			
	5	1	S49658		CABLE - BRAKE			
	6	4	195-103		CLAMP - U-BOLT			
	7	4	131-52		WASHER - FLAT 5/16			
	8	4	195-104		NUT - LOCK 3/8 NC			
	9	1	1200060		WASHER - FLAT 3/8 (.438-1.000)			
	10	2	182-51		BRACKET - PARKING BRAKE			
	11	2	129-15		SCREW - MACH #6-32 X 1/13 PAN HD			
	12	2	192-15		NUT - #6 NC			
	13	1	1000374		WASHER - LOCK #6			
	14	2	131-464		..SWITCH - LIMIT			
	15	4	195-507		NUT - JAM LOCK 5/16 NC			
	16	1	1100238		WASHER - FLAT #6			
	17	2	131-69		BRACKET - CABLE			
	18	1	S49658		NUT - LOCK 5/16 NC			
	19	1	113-604		CLAMP - U BOLT			
	20	1	131-14		BOLT - 5/8 X 2.00 NC HEX			
	22	2	196-26		NUT - LOCK 5/8 NC			
	23	1	S85426		WASHER - FLAT 5/8			
	24	1	S10739		YOKE			
	25	1	132-48		PIN, CLEVIS			
					PIN, COTTER			

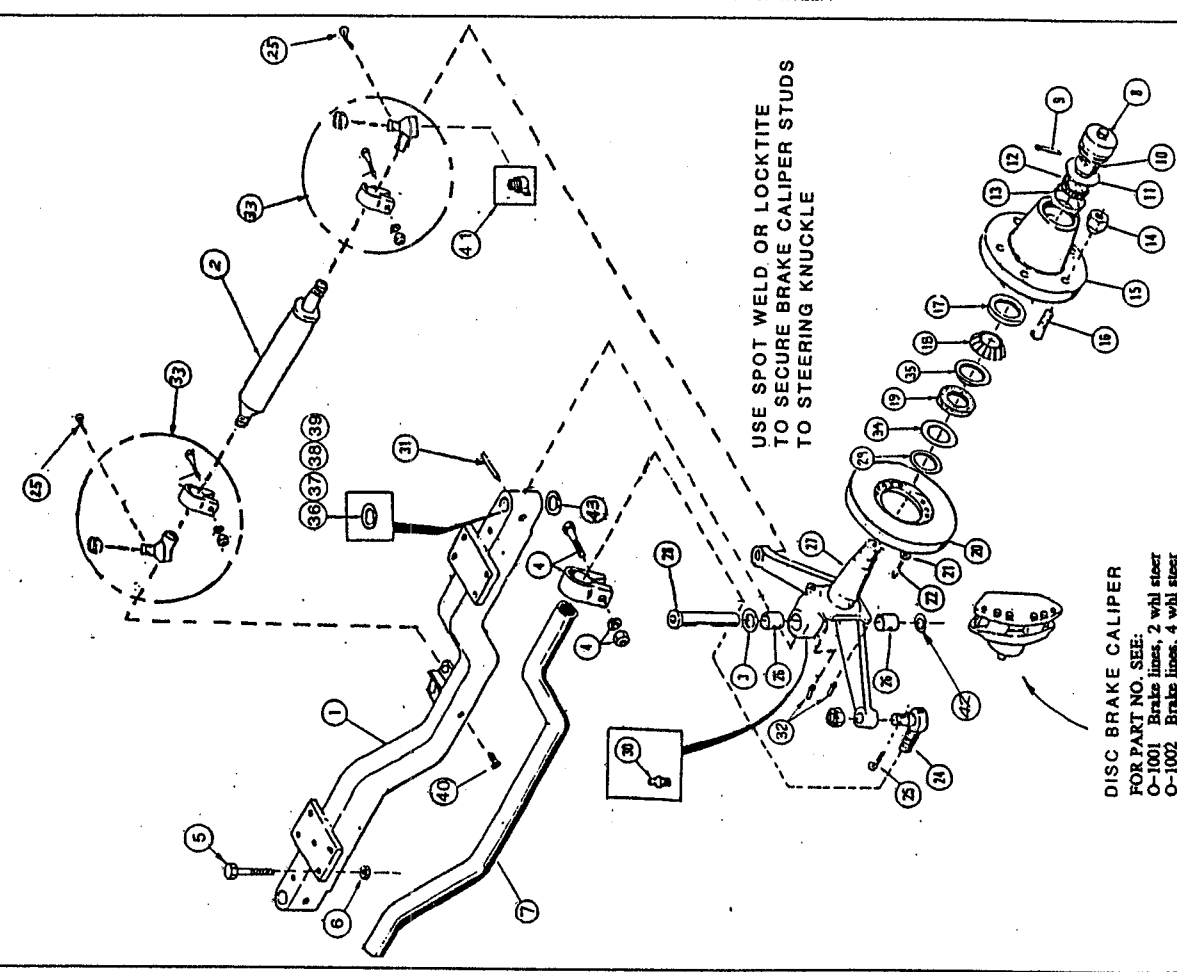
ITEMS MARKED WITH * SEE PARTS SUB PLATE FOR MORE DETAIL

REV: C STEERING AXLE

3330 E S-0201

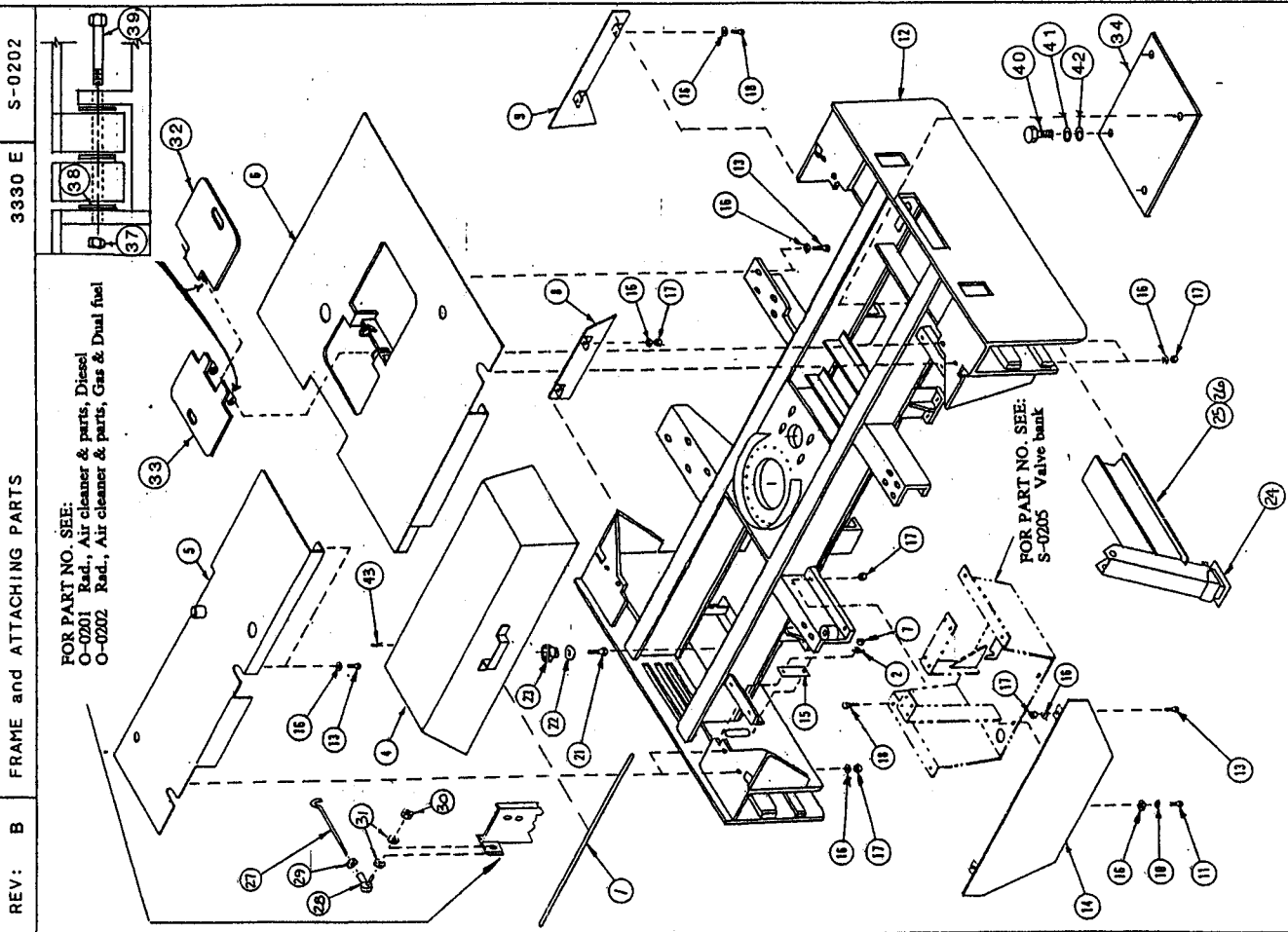
SERVICE / PARTS BILL OF MATERIAL

PLATE	ITEM	QTY	PART NO	A	DESCRIPTION	REV	BON CHANGE
S-0201	1	1	1200037		STEERING AXLE		
	2	1	1200165	*	AXLE - BEAM (REAR STEER)		
	3	2	1200030	*	CYLINDER - STEERING		
	4	2	S118664		CYLINDER - STEERING		
	5	8	A23133		WASHER - THRUST		
	6	8	114-600		CLAMP		
	7	8	131-13		BOLT - 5/8 X 2.00 NF HEX		
	8	1	S222478		NUT - LOCK 5/8 NF		
	9	2	1100025		ROD - TIE		
	10	2	132-95		CAP - HUB		
	11	2	25-1316		PIN - COTTER 3/16 X 1.50		
	12	2	S94414		NUT - SLOTTED 1-14 UNS HEX		
	13	2	196-55		WASHER - FLAT (1.060-2.50) PLAIN		
	14	2	A26533		CONE - BEARING		
	15	12	A12522		CUP - BEARING		
	16	2	S608516		NUT - LUG 3/4 NF		
	17	12	S105655		HUB		
	18	2	A26678		STUD - 3/4 NF		
	19	2	S94408		CUP - BEARING		
	20	2	S94404		SEAL - FELT		
	21	2	S237790		PLATE - DISC		
	22	12	195-541		WASHER - FLAT 5/8 (.656-1.312)		
	23	12	113-602		BOLT - 5/8 X 1.00 NC HEX		
	24	2	S27555		SOCKET VERTICAL (TIE ROD)		
	25	6	132-77		PIN - COTTER 5/32 X 2.00		
	26	4	S115149		BEARING		
	27	2	S1300027		KNUCKLE - STEERING		
	28	2	S237335		PIN - REAR STEER KNUCKLE PIVOT		
	29	2	S94407		SPACER		
	30	4	219-1		FITTING - GREASE 1/8 NPT STR (COMM'L)		
	31	2	S95933		FITTING - GREASE 1/8 NPT STR (MILITARY)		
	32	4	S229886		PIN - RETAINER		
	33	4	1100063		STUD - BRAKE CALIPER MOUNTING		
	34	2	S94405		SOCKET - VERTICAL (STEER CYLINDERS)		
	35	2	S94406		RETAINER - INNER		
	36	2	S115161		RETAINER - OUTER		
	37	2	S115162		SHIM 0.025		
	38	2	S115163		SHIM 0.015		
	39	2	S115164		SHIM 0.010		
	40	1	187-1507		SHIM 0.005		
	41	2	219-55		SCREW - SELF TAPPING #10 X 0.75		
	42	2	1001713		FITTING - GREASE 1/8 PTF 90 DEG (COMM'L)		
	43	2	1000472		FITTING - GREASE 1/8 PTF 90DEG (MILITARY)		
		2	1000497		RING-RETAINING		
					WASHER-THRUST		



DISC BRAKE CALIPER
FOR PART NO. SEE:
O-1001 Brake lines, 2 whl steer
O-1002 Brake lines, 4 whl steer

ITEMS MARKED WITH * SEE PARTS SUB PLATE FOR MORE DETAIL

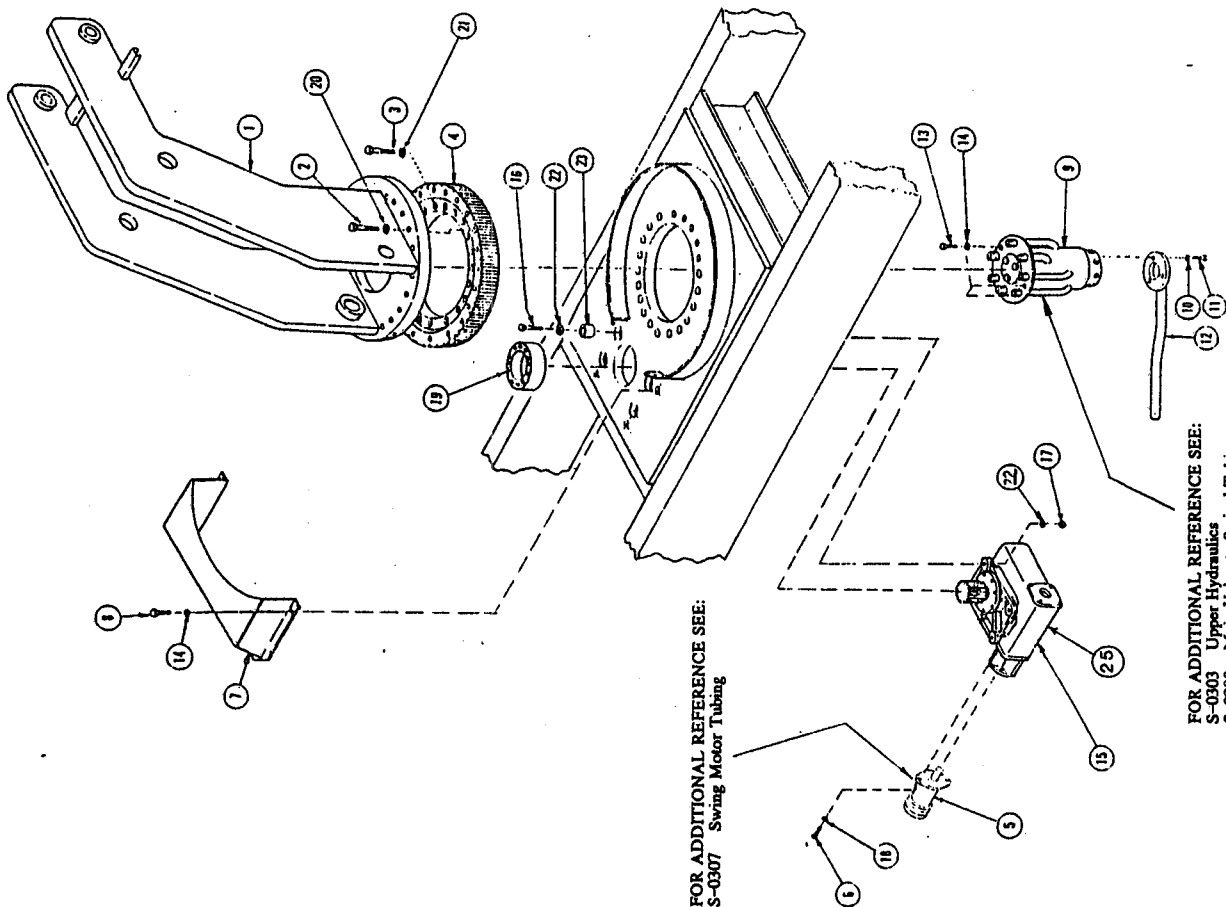


SERVICE / PARTS BILL OF MATERIAL

PLATE	ITEM	QTY	PART NO	A	DESCRIPTION	REV	BON CHANGE
S-0202	1	1	1000382-062		FRAME and ATTACHING PARTS		
	2	8	195-533		TRIM - SEAL		
	4	1	1300062		WASHER - FLAT 1/2 (.531-1.062)		
	5	1	1300063		SHROUD - ENGINE		
	6	1	1300085		DECK PLATE - SIDE		
	7	8	131-52		DECK PLATE - FRONT		
	8	1	S239073		NUT - LOCK 3/8 NC		
	9	1	S239071		PANEL - SIDE REAR		
	10	2	192-23		PANEL - SIDE FRONT		
	11	2	113-417		WASHER - LOCK 1/2		
	12	1	1300093		BOLT - 1/2 X 1.25 NC HEX		
	13	11	113-412		FRAME - MAIN		
	14	1	S514629		BOLT - 1/2 X 1.75 NC HEX		
	15	4	S117470		PANEL - SIDE, VALVE BANK		
	16	27	S95569		COVER		
	17	8	131-70		WASHER - FLAT 1/2 HARDENED		
	18	2	113-410		NUT - LOCK 1/2 NC		
	21	1	814-16070		BOLT - 1/2 X 1.50 NC HEX		
	22	1	195-2262		BOLT - M16-2.00 X 70 HEX		
	23	1	1000002		WASHER - SNUBBING		
	24	4	1200137		GROMMET - RUBBER		
	24	4	1200024		OUTRIGGER LEG - WELDED		
	25	2	1300135		OUTRIGGER LEG - WELDED		
	25	2	1300013		OUTRIGGER ARM - WELDED LF & RR		
	26	2	1300136		OUTRIGGER ARM - WELDED LF & RR		
	27	2	1300014		OUTRIGGER ARM - WELDED RF & LR		
	27	1	1100120		ROD - FORMED		
	28	1	R47940		BALL JOINT		
	29	1	129-163		NUT - JAM 3/8 NF		
	30	1	131-499		NUT - LOCK 3/8 NF		
	31	2	195-525		WASHER - FLAT 3/8 (.406-.812)		
	32	1	1200119		DOOR - TOOL BOX		
	33	1	1200118		DOOR - TOOL BOX		
	34	1	1200123		PLATE - TOOL BOX BOTTOM		
	37	2	131-70		NUT - LOCK 1/2 NC		
	38	6	196-15		WASHER - FLAT (.531-1.062)		
	39	2	113-436		BOLT - 1/2 X 5.50 NC HEX		
	40	4	113-207		BOLT - 3/8 X 1.00 NC HEX		
	41	4	192-21		WASHER - LOCK 3/8		
	42	4	195-525		WASHER - FLAT 3/8 (.406-.812)		

AFTER S/N 130906-9
 BEFORE S/N 131006-9
 AFTER S/N 130906-9
 BEFORE S/N 131006-9
 AFTER S/N 130906-9
 BEFORE S/N 131006-9
 AFTER S/N 130906-9
 BEFORE S/N 131006-9

ITEMS MARKED WITH * SEE PARTS SUB PLATE FOR MORE DETAIL



FOR ADDITIONAL REFERENCE SEE:
S-0307 Swing Motor Tubing

FOR ADDITIONAL REFERENCE SEE:
S-0303 Upper Hydraulics
S-0308 Main Valve to Swivel Tubing
S-0309 Low Pressure Tubing

SERVICE / PARTS BILL OF MATERIAL

PLATE	ITEM	QTY	PART NO	A	DESCRIPTION	REV	BON CHANGE
S-0203	1	1	1300044		MAST and ATTACHING PARTS		
	2	22	28-1072		MAST ASSEMBLY		
	3	24	26-1260		BOLT - 5/8 X 4.50 NF HEX GR 8		
	4	1	1100062	*	BOLT - 3/4 X 3.75 NC HEX GR 8		
	5	1	1000209		BEARING - TURNABLE		
	6	2	113-410		MOTOR - SWING		
	7	1	1200039		BOLT - 1/2 X 1.50 NC HEX		
	8	4	113-206		COVER - SWING GEAR		
	9	1	1300109		BOLT - 3/8 X 0.75 NC HEX		
	10	1	1200076	*	SWIVEL - 7 PORT HYDRAULIC		
	11	3	192-20		SWIVEL - 7 PORT HYDRAULIC		
	12	3	113-103		WASHER - LOCK 5/16		
	13	1	S235081		BOLT - 5/16 X 1.00 NC HEX		
	14	3	113-206		STOP - SWIVEL		
	15	7	192-21		BOLT - 3/8 X 0.75 NC HEX		
	16	1	1200031	*	WASHER - LOCK 3/8		
	17	4	26-848		GEAR REDUCER - SWING		
	18	4	129-105		BOLT - 1/2 X 3.00 NC HEX GR 8		
	19	2	192-23		NUT - 1/2 NC		
	20	1	1200038		WASHER - LOCK 1/2		
	21	1	196-26		RING - ECCENTRIC		
	22	22	196-26		WASHER - FLAT (.656-1.312) PLAIN		
	23	24	196-32		WASHER - FLAT (.812-1.750) PLAIN		
	24	8	196-15		WASHER - FLAT (.531-1.062)		
	25	4	1000381		SPACER		
		1	219-8		FITTING - GREASE 1/4 NPT STR (COMM'L)		
		1	1001711		FITTING - GREASE 1/4 NPT STR (MILITARY)		

AFTER 304
BEFORE 305

ITEMS MARKED WITH * SEE PARTS SUB PLATE FOR MORE DETAIL

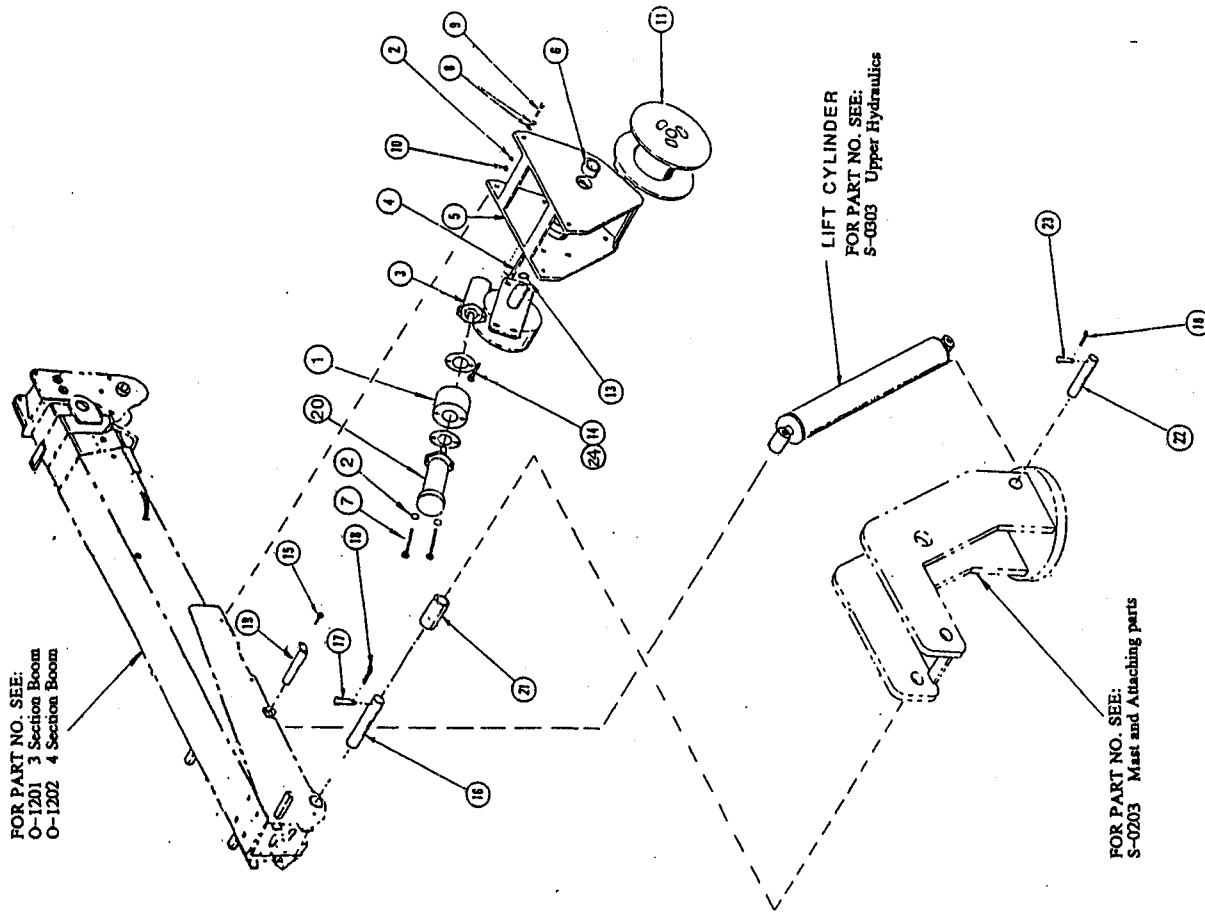
REV:

WINCH, LIFT CYLINDER and PINS

3330 E

S-0204

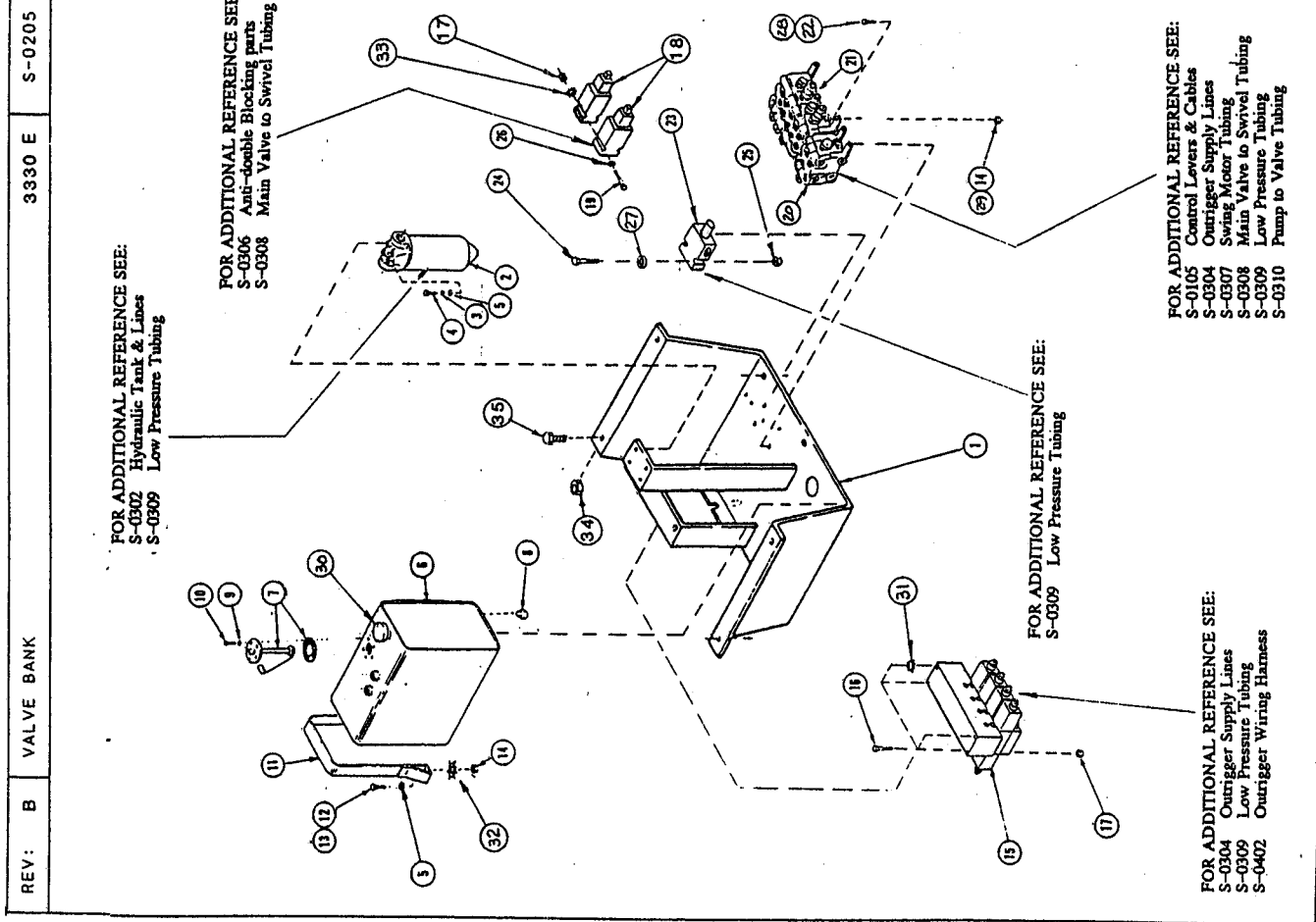
FOR PART NO. SEE:
O-1201 3 Section Boom
O-1202 4 Section Boom



SERVICE / PARTS BILL OF MATERIAL

PLATE	ITEM	QTY	PART NO	A	DESCRIPTION	REV	BON CHANGE
S-0204	1	1	1000373	*	MAIN HOIST, LIFT CYLINDER and PINS		
	2	6	192-23		BRAKE - FAILSAFE		
	3	1	1300059	*	WASHER - LOCK 1/2		A
	4	1	S61610		GEAR REDUCER - WINCH KEY		
	5	1	1200114		FOUNDATION - MAIN WINCH - WIDE DRUM		
	6	1	A13845		BUSHING		
	7	2	113-436		BOLT - 1/2 X 5.50 NC HEX		
	8	4	195-530		WASHER - FLAT (.500-1.125)		
	9	4	113-412		BOLT - 1/2 X 1.75 NC HEX		
	10	4	129-145		NUT - JAM 1/2 NC		
	11	1	1200116		DRUM - WIDE		
	13	4	S80870		SHIM		
	14	3	61-1032		BOLT - 5/8 X 2.00 NC HEX SOCKET HD		
	15	1	61-616		BOLT - 3/8 X 1.00 NC HEX SOCKET		
	16	1	S237388		PIN - BOOM PIVOT		
	17	1	S61976		PIN - CLEVIS 5/8 X 4.516		
	18	2	132-71		PIN - COTTER 5/32 X 1.25		
	19	1	S237667		PIN - HOIST CYLINDER PIVOT		
	20	1	1000372	*	MOTOR - HYDRAULIC		
	21	1	1000186B		SPACER		
	22	1	S237389		PIN - HOIST PIVOT		
	23	1	S10833		PIN - CLEVIS 5/8 X 3.766		
	24	1	61-1028		BOLT - 5/8 X 1.75 NC HEX SOCKET HD		

ITEMS MARKED WITH * SEE PARTS SUB PLATE FOR MORE DETAIL

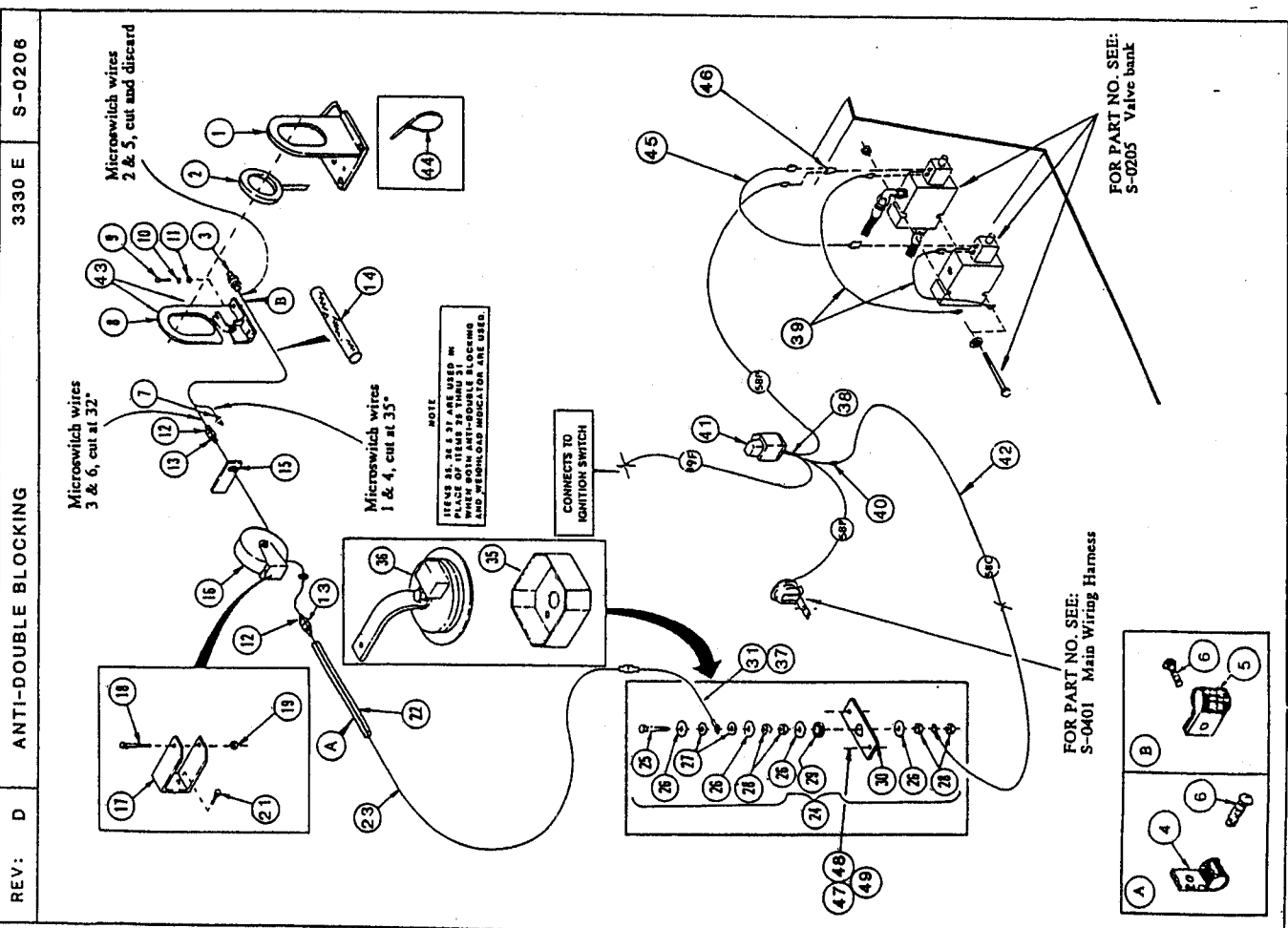


REV: B VALVE BANK 3330 E S-0205

SERVICE / PARTS BILL OF MATERIAL

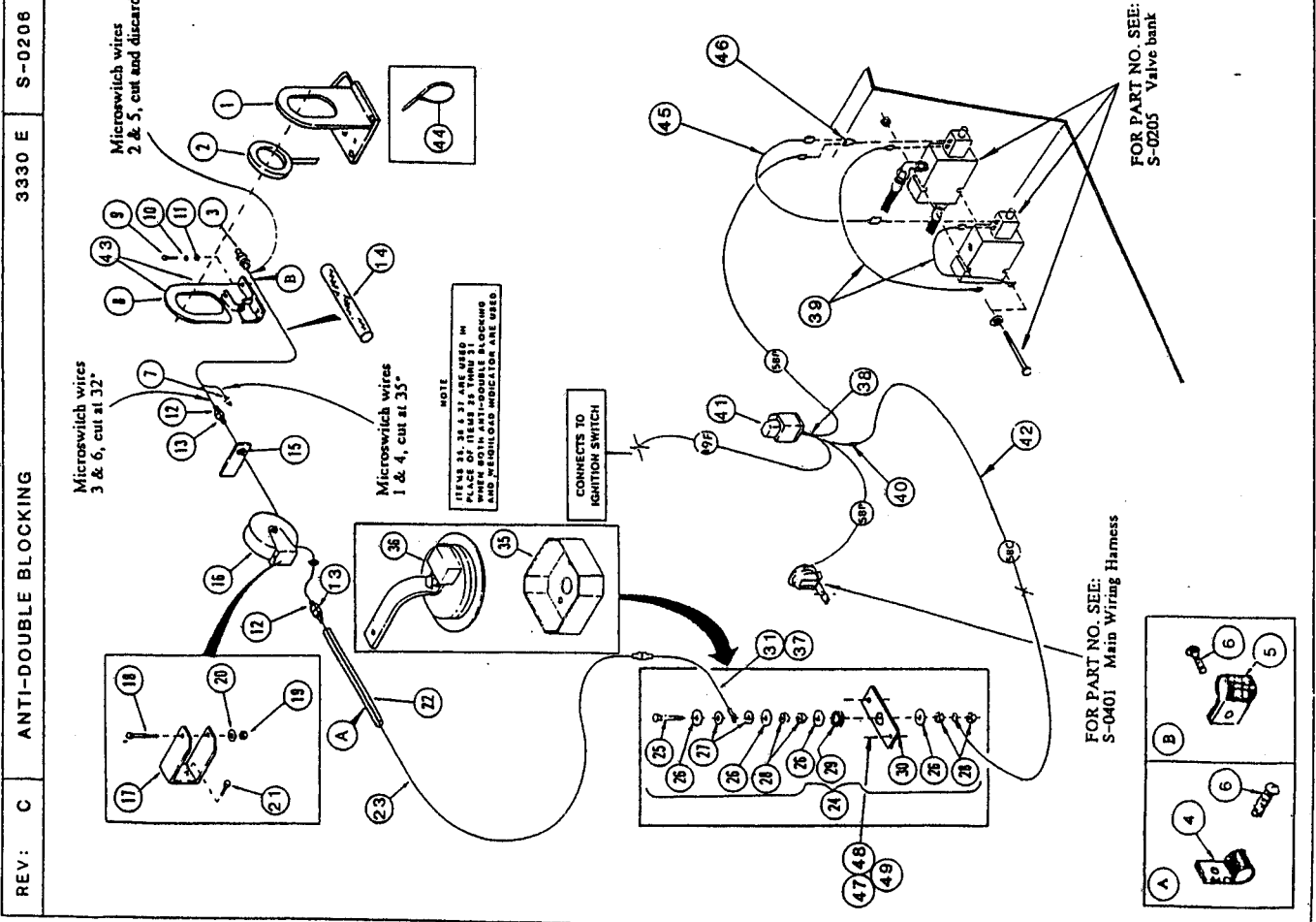
PLATE	ITEM	QTY	PART NO	A	DESCRIPTION
S-0205	1	1	1300065		VALVE BANK
	2	1	S227285	*	FOUNDATION - VALVE BANK
	3	4	192-21		FILTER - HYDRAULIC OIL
	4	4	113-206		WASHER - LOCK 3/8
	5	5	195-104		BOLT - 3/8 X 0.75 NC HEX
	6	1	S510922		WASHER - FLAT 3/8 (.438-1.000)
	7	1	1200019		TANK - FUEL
	8	1	221-663		SENDING UNIT - FUEL
	9	5	192-18		PLUG - PIPE 3/8 NPT
	10	5	174-100		SCREW - #10 NF MACHINE RD HD
	11	1	S115708		STRAP - TANK MOUNTING
	12	1	113-207		BOLT - 3/8 X 1.00 NC HEX
	13	1	113-213		BOLT - 3/8 X 2.25 NC HEX
	14	8	131-52		NUT - LOCK 3/8 NC
	15	1	S240090	*	VALVE - OUTRIGGER SOLENOID
	16	4	113-167		BOLT - 5/16 X 4.00 NC HEX
	17	6	131-69		NUT - LOCK 5/16 NC
	18	2	1100054	*	VALVE - SOLENOID
	19	2	113-179		BOLT - 5/16 X 5.00 NC HEX
	20	1	1100099	*	VALVE - 1 SPOOL CONTROL
	21	1	1100098	*	VALVE - 3 SPOOL CONTROL
	22	2	113-209		BOLT - 3/8 X 1.50 NC HEX
	23	1	1100092		REGULATOR - FLOW
	24	2	113-14		BOLT - 1/4 X 2.00 NC HEX
	25	2	131-71		NUT - LOCK 1/4 NC
	26	1	195-103		WASHER - FLAT 5/16
	27	2	195-102		WASHER - FLAT 1/4
	28	2	113-412		BOLT - 1/2 X 1.75 NC HEX
	29	2	131-70		NUT - LOCK 1/2 NC
	30	1	A18870		CAP - FUEL TANK FILLER
	31	1	1000988H		WASHER - LOCK 5/16" (STAR TOOTH)
	32	1	1000988I		WASHER - LOCK 3/8" (STAR TOOTH)
	33	1	1000988H		WASHER - LOCK 5/16" (STAR TOOTH)
	34	4	131-70		NUT - LOCK 1/2 NC
	35	4	113-410		BOLT - 1/2 X 1.50 NC HEX

ITEMS MARKED WITH * SEE PARTS SUB PLATE FOR MORE DETAIL



SERVICE / PARTS BILL OF MATERIAL
 PLATE S-0206
 ITEM QTY PART NO A DESCRIPTION
 1 1 1100228 ANTI-DOUBLE BLOCKING PARTS
 2 1 1100225 BRACKET - SWITCH SUPPORT
 3 1 S82976 TUBE - SWITCH ACTIVATOR
 ..MICROSWITCH
 (FOR REPLACEMENT ORDER 1500227)
 4 4 A38799 CLAMP - TUBE
 5 1 S77479 CLAMP
 6 9 187-1513 SCREW - SELF TAPPING 1/4 X 0.50 NC
 7 1 223-61 TERMINAL - EYELET
 8 1 1200136 BRACKET - SWITCH SUPPORT
 9 2 113-113 BOLT - 5/16 X 0.88 NC HEX
 10 2 192-20 WASHER - LOCK 5/16
 11 2 195-103 WASHER - FLAT 5/16
 12 2 S117294 TERMINAL - TAB
 13 2 S117295 TERMINAL - RECEPTACLE
 14 1 S119695 LOOM - 30"
 15 1 S120258 GROMMET - RUBBER
 16 1 1500287 REEL - CABLE, LONG BOOM
 * *
 17 1 S242322 REEL - CABLE, STD BOOM
 18 1 182-138 BRACKET - REEL
 19 1 131-1404 REEL - #10-24 X 3.00
 21 2 187-1513 NUT - LOCK #10-24
 22 1 1000076 SCREW - SELF TAPPING 1/4 X 0.50 NC
 CONDUIT
 23 1 1100126 WIRE ASSEMBLY
 ..SWIVEL - ELECTRIC (1 POLE)
 24 1 S208459 BOLT - BRASS
 25 1 S99801 WASHER - BRASS
 26 4 195-1014 WASHER - BOWED STEEL
 27 2 S77457 NUT - BRASS
 28 4 129-379 GROMMET - RUBBER
 29 1 S120258 PLATE - SWIVEL (BEFORE W-1329)
 30 1 S77456 BAR, SWIVEL (AFTER W-1328)
 31 1 1100125 WIRE ASSEMBLY
 BOX, ELEC
 ..SWIVEL - ELECTRIC (2 POLE)
 35 1 S239135 WIRE ASSEMBLY
 ..HARNES - RELAY WIRING
 37 1 S240400 WIRE - GROUND #10 X 14.0
 38 1 1100108 CONNECTOR
 ..RELAY
 39 2 S209510 WIRE ASSEMBLY - LOWER SWIVEL
 40 1 223-250 CLAMP
 41 1 S513724 TIE - NYLON
 42 1 1000415 WIRE ASSEMBLY
 43 4 A62209 DISCONNECT - ADAPTER
 44 10 1000104B MACH. SCREW 10-32 X .50
 45 1 1000772 WASHER - FLAT #10
 46 2 173-237 WASHER - LOCK #10
 47 2 195-513
 48 2 192-18

ITEMS MARKED WITH * SEE PARTS SUB PLATE FOR MORE DETAIL



REV: C ANTI-DOUBLE BLOCKING 3330 E S-0206

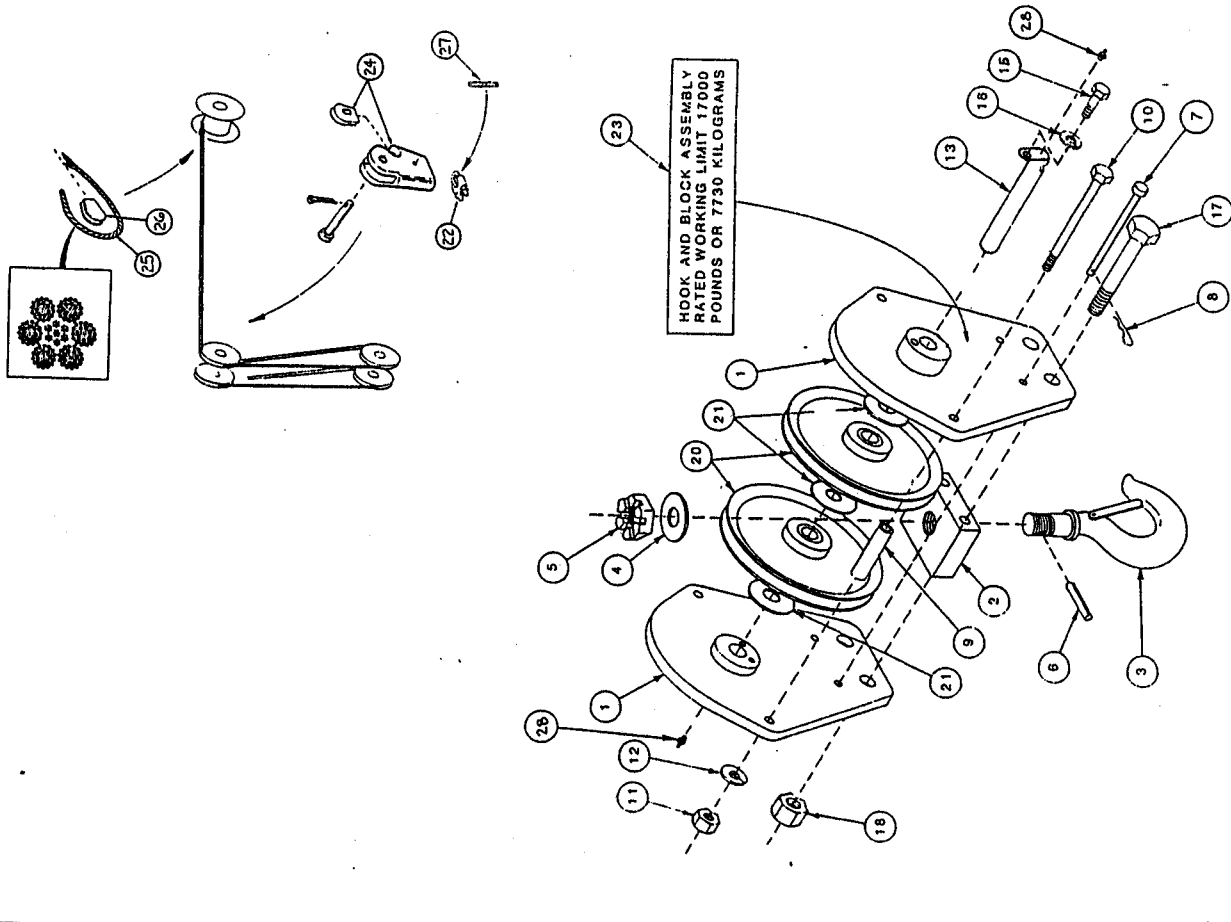
SERVICE / PARTS BILL OF MATERIAL

PLATE	ITEM	QTY	PART NO	A	DESCRIPTION
S-0206	49	2	192-18		WASHER - LOCK #10

REV BON CHANGE

ITEMS MARKED WITH * SEE PARTS SUB PLATE FOR MORE DETAIL

06:15:11



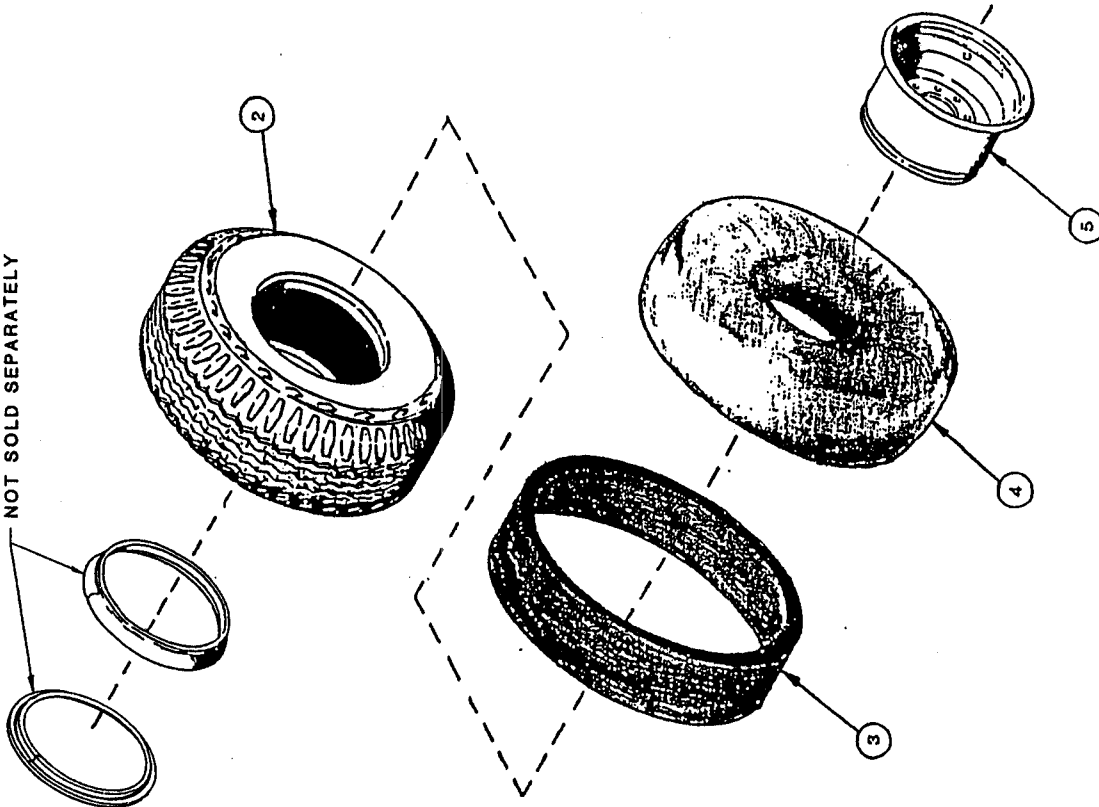
SERVICE / PARTS BILL OF MATERIAL

PLATE	ITEM	QTY	PART NO	DESCRIPTION	REV	BON CHANGE
S-0207	1	2	1200132	HOOK, BLOCK & ROPE, 4/2 PART, 18.9 RATIO	A	
	2	1	1100112	SIDE PLATE - BLOCK		
	3	1	1100110	PLATE		
	4	1	S101225	HOOK - SHANK MACHINING	*	
	5	1	25-1224	WASHER - BRONZE		
	6	1	138-181	NUT - SLOTTED 1.50 NC HEX		
	7	2	S10788	PIN - ROLL 3/8 X 2.75		
	8	2	S120261	PIN - CLEVIS		
	9	2	1000391	PIN - HAIR		
	10	2	113-2419	SPACER		
	11	2	129-105	BOLT - 1/2 X 6.50 NC HEX		
	12	2	192-23	NUT - 1/2 NC		
	13	1	1100209	WASHER - LOCK 1/2		
	14	1	113-206	PIN - SHEAVE		
	15	1	113-206	BOLT - 3/8 X 0.75 NC HEX		
	16	1	192-21	WASHER - LOCK 3/8		
	17	2	1000392	BOLT - 3/4 X 6.63 NC HEX		
	18	2	131-16	NUT - LOCK 3/4 NC		
	20	2	S200211	SHEAVE ASSEMBLY	*	
	21	3	S109722	WASHER - NYLATRON SPACER		
	22	1	S100797	CLAMP - WIRE ROPE		
	23	2	1000351	DECAL - LOAD		
	24	1	S29805	WEDGE & SOCKET ASSEMBLY		
	25	1	1000037	WEDGE & SOCKET ASSEMBLY		
	26	150	204	WIRE ROPE - 7/16 X 204 FT (LONG BOOM)		
	27	1	S87633	WIRE ROPE - 7/16 X 150 (STD BOOM)		
	28	2	1000773	PIGTAIL - WIRE ROPE		
		2	219-1	FITTING - GREASE 1/8 NPT STR (COMM'L)		
		2	1001712	FITTING - GREASE 1/8 NPT STR (MILITARY)		

ITEMS MARKED WITH * SEE PARTS SUB PLATE FOR MORE DETAIL

REV: A WHEEL - REAR (2 REQ'D) 3330 E S-0208

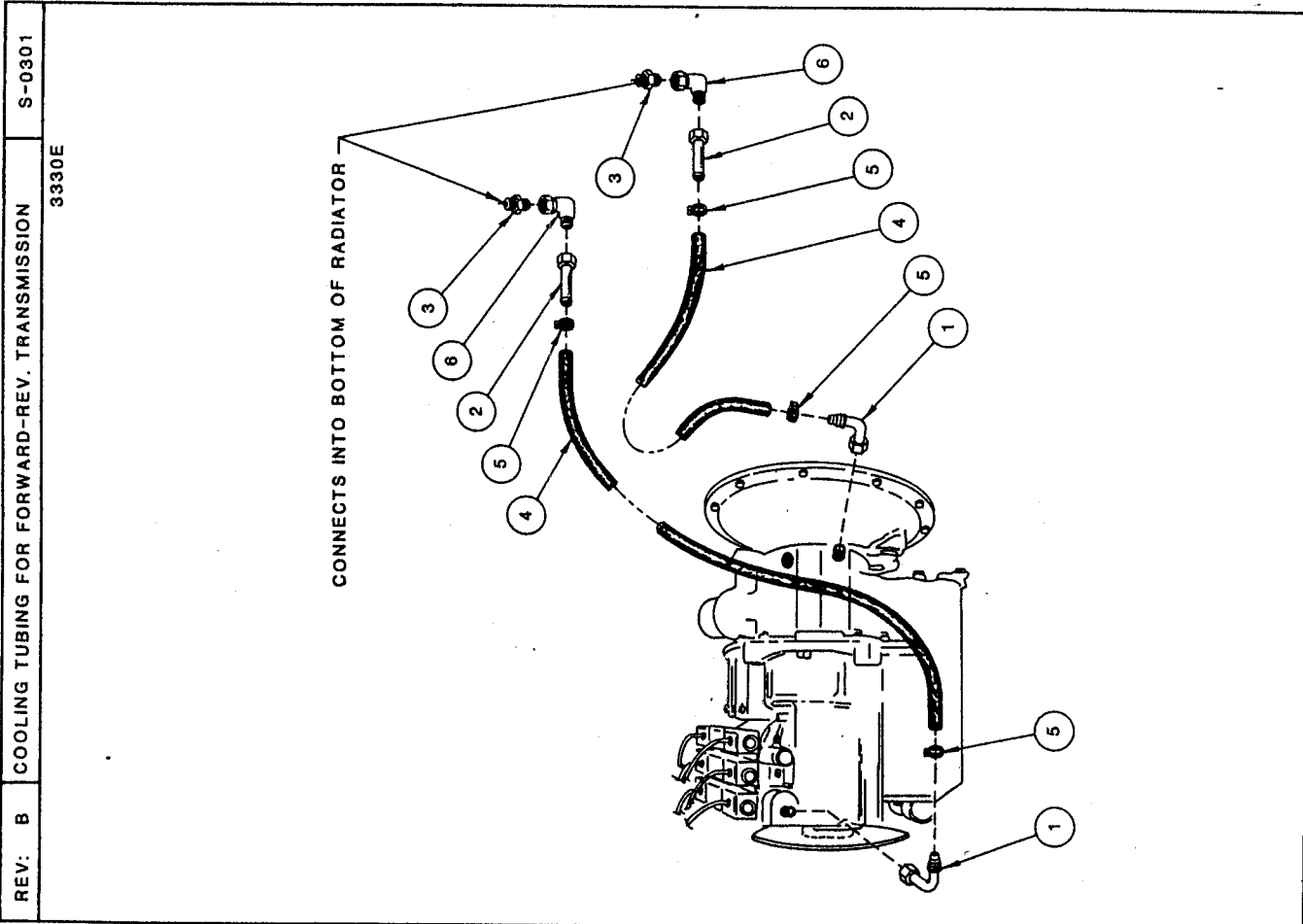
NOT SOLD SEPARATELY



SERVICE / PARTS BILL OF MATERIAL

PLATE	ITEM	QTY	PART NO	A	DESCRIPTION	REV	BON CHANGE
S-0208							
	2	1	S27630		WHEEL - REAR (2 REQ'D)		
	3	1	S48964		TIRE - 10.00 X 15 - 12PLY (PURCH. LOCALLY)		A
	4	1	S48962		FLAP - 10.00 X 15 (PURCH. LOCALLY)		
	5	1	S515534M1		TUBE - 10.00 X 15 (PURCH. LOCALLY)		
					RIM - REAR		

ITEMS MARKED WITH * SEE PARTS SUB PLATE FOR MORE DETAIL



REV: B COOLING TUBING FOR FORWARD-REV. TRANSMISSION S-0301

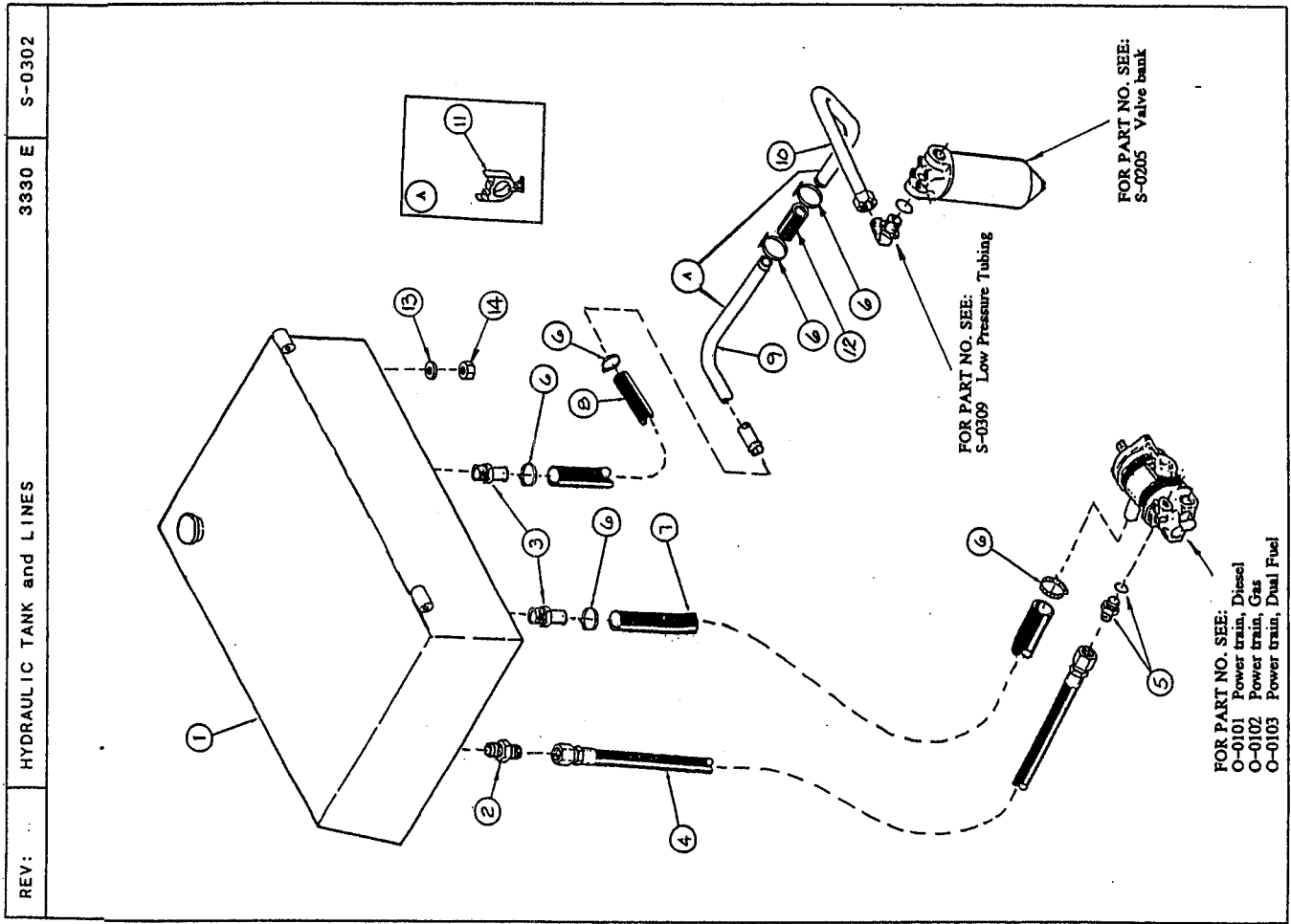
3330E

SERVICE / PARTS BILL OF MATERIAL

PLATE	ITEM	QTY	PART NO	A	DESCRIPTION	REV	BON CHANGE
S-0301	1	2	1001221		COOLING TUBING FOR FORW-REV TRANSMISSION	B	
	2	2	1001685		ELBOW - (90 DEG) SWIVEL NUT (BSP)		
	3	2	218-457		ADAPTER		
	4	2	1001286-070		CONNECTOR - 5/8 X 3/4 NPTF MALE		
	5	4	214-253		HOSE - 5/8 ID		
	6	2	218-5232		CLAMP - HOSE, SAE #10 (1.06-0.56)		
					ELBOW - 5/8 (90 DEG) SWIVEL NUT		

ITEMS MARKED WITH * SEE PARTS SUB PLATE FOR MORE DETAIL

01/28/95



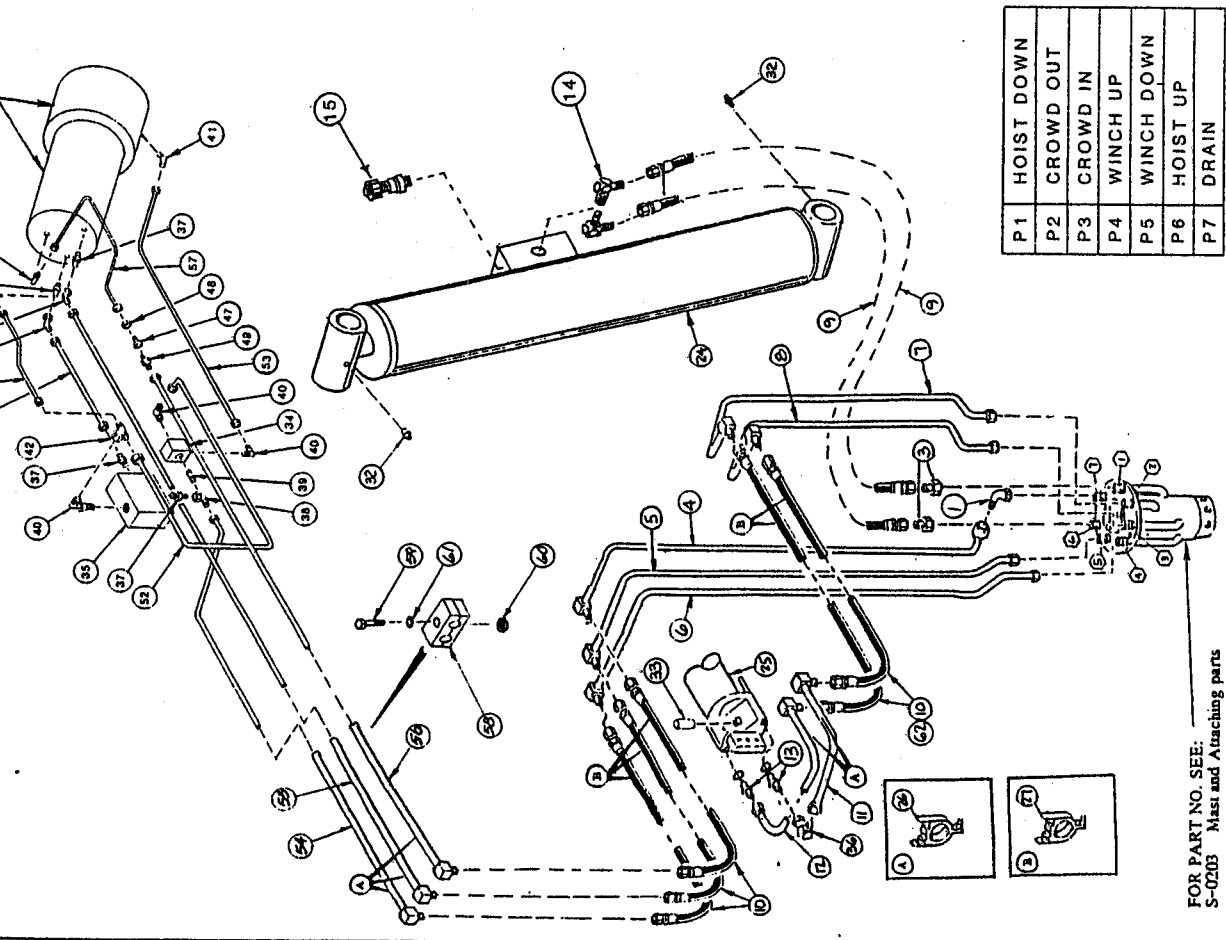
REV: HYDRAULIC TANK and LINES 3330 E S-0302

SERVICE / PARTS BILL OF MATERIAL

PLATE	ITEM	QTY	PART NO	DESCRIPTION	REV	BON CHANGE
S-0302			A	HYDRAULIC TANK and LINES	A	
	1	1	1200079	TANK - HYD (W/ LP TANK MTG)		
	2	1	1200066	TANK - HYD (STANDARD)		
	3	2	218-446	CONNECTOR - 3/4 NPTF MALE		
	4	1	1000331	INSERT - BEADED 1.50 HOSE		
	5	1	S400834	HOSE - HYD 3/4 X 36.50		
	6	1	S4044	CONNECTOR		
	7	6	S85429	CLAMP - STD. HYD. D. BAND (2.18-1.92)		
	8	1	1000333	HOSE - HYD 1.50 X 32.00		
	9	1	1000332	HOSE - HYD 1.50 X 25.00		
	10	1	1600061	TUBE ASSEMBLY		
	11	2	S98324	TUBE ASSEMBLY		
	12	1	1000426	CLAMP - TUBE 1.50		
	13	3	S95569	HOSE		
	14	3	131-70	WASHER		
				NUT - LOCK 1/2 NC		

ITEMS MARKED WITH * SEE PARTS SUB PLATE FOR MORE DETAIL

FOR PART NO. SEE:
S-0204 Winch, Lift Cyl
& Plus



P1	HOIST DOWN
P2	CROWD OUT
P3	CROWD IN
P4	WINCH UP
P5	WINCH DOWN
P6	HOIST UP
P7	DRAIN

FOR PART NO. SEE:
S-0205 Mast and Attaching parts

SERVICE / PARTS BILL OF MATERIAL

PLATE	ITEM	QTY	PART NO	A	DESCRIPTION	REV	BON CHANGE
S-0303	1	1	218-5231		HYDRAULICS, UPPER		
	3	2	218-785		ELBOW - 3/4 (90 DEG) SWIVEL NUT		
	4	1	1600028		REDUCER - 3/4 X 5/8 (ONE PIECE)		
	5	1	1600059		TUBE ASSEMBLY		
	6	1	1600058		TUBE ASSEMBLY		
	7	1	1600032		TUBE ASSEMBLY		
	8	1	1600031		TUBE ASSEMBLY		
	9	2	S8577HP		HOSE - HYD 1/2 X 20 (MILITARY)		
		2	S8577		HOSE - HYD 1/2 X 20 (COMMERCIAL)		
	10	5	1000396		HOSE - HYD 1/2 X 20 (COMMERCIAL)		
	11	1	1600021		TUBE ASSEMBLY		
	12	1	S239257		TUBE ASSEMBLY		
	13	2	218-5065		TUBE ASSEMBLY		
	14	2	218-5107		CONNECTOR - 3/4 X 5/8 STR THD O-RING		
	15	1	1001093		VALVE - CARTRIDGE		
	24	1	S615282		CYLINDER - BOOM		
		1	1300138		CYLINDER - BOOM		
		1	1300076		CYLINDER - BOOM		
	25	1	S610101		CYLINDER - CROWD, STD BOOM		
		1	1300143		CYLINDER - CROWD, STD BOOM		
		1	1300083		CYLINDER - CROWD, LONG BOOM		
	26	5	S97491		CLAMP - TUBE 3/4		
	27	5	S91602		CLAMP - TUBE 1.00		
	32	2	219-1		FITTING - GREASE 1/8 NPT STR (COMM'L)		
		2	1001712		FITTING - GREASE 1/8 NPT STR (MILITARY)		
	33	1	S107689		VALVE - COUNTERBALANCE		
	34	1	1100091		VALVE - SHUTTLE		
	35	1	1100287		VALVE - COUNTERBALANCE		
	36	1	218-5231		ELBOW - 3/4 (90 DEG) SWIVEL NUT		
	37	4	218-5065		CONNECTOR - 3/4 X 5/8 STR THD O-RING		
	38	1	1000419		ELBOW - 3/4 (90 DEG) SWIVEL NUT (TAPPED)		
	39	1	218-5443		CONNECTOR - 3/8 STR THD O-RING X 1/4 NPT		
	40	3	218-5283		ELBOW - 3/8 X 1/4 (90 DEG) STR THD O-RING		
	41	1	218-5103		ELBOW - 1/4 (90 DEG) SWIVEL NUT		
	42	1	218-841		TEE - 1/4 SWIVEL NUT BRANCH		
	43	1	218-5133		ELBOW - 1/4 (45 DEG) STR THD O-RING		
	44	1	218-5175		ELBOW - 3/4 (45 DEG) SWIVEL NUT		
	45	1	218-481		ELBOW - 1/4 STR THD O-RING X 1/8 NPT (90 DEG)		
	46	1	1000418		ELBOW - 3/4 (45 DEG) SWIVEL NUT (TAPPED)		
	47	1	218-794		UNION - 3/4 X 1/4 REDUCING		
	48	1	218-346		NUT - TUBE 3/4		
	49	1	218-737		UNION - 3/4		
	50	1	1600050		TUBE ASSEMBLY		
	51	1	1600051		TUBE ASSEMBLY		
	52	1	1600052		TUBE ASSEMBLY		
	53	1	1600053		TUBE ASSEMBLY		
	54	1	1600054		TUBE ASSEMBLY		
	55	1	1600055		TUBE ASSEMBLY		
	56	1	1600056		TUBE ASSEMBLY		

BEFORE 286
AFTER 304
BEFORE 305
BEFORE 334
AFTER 333

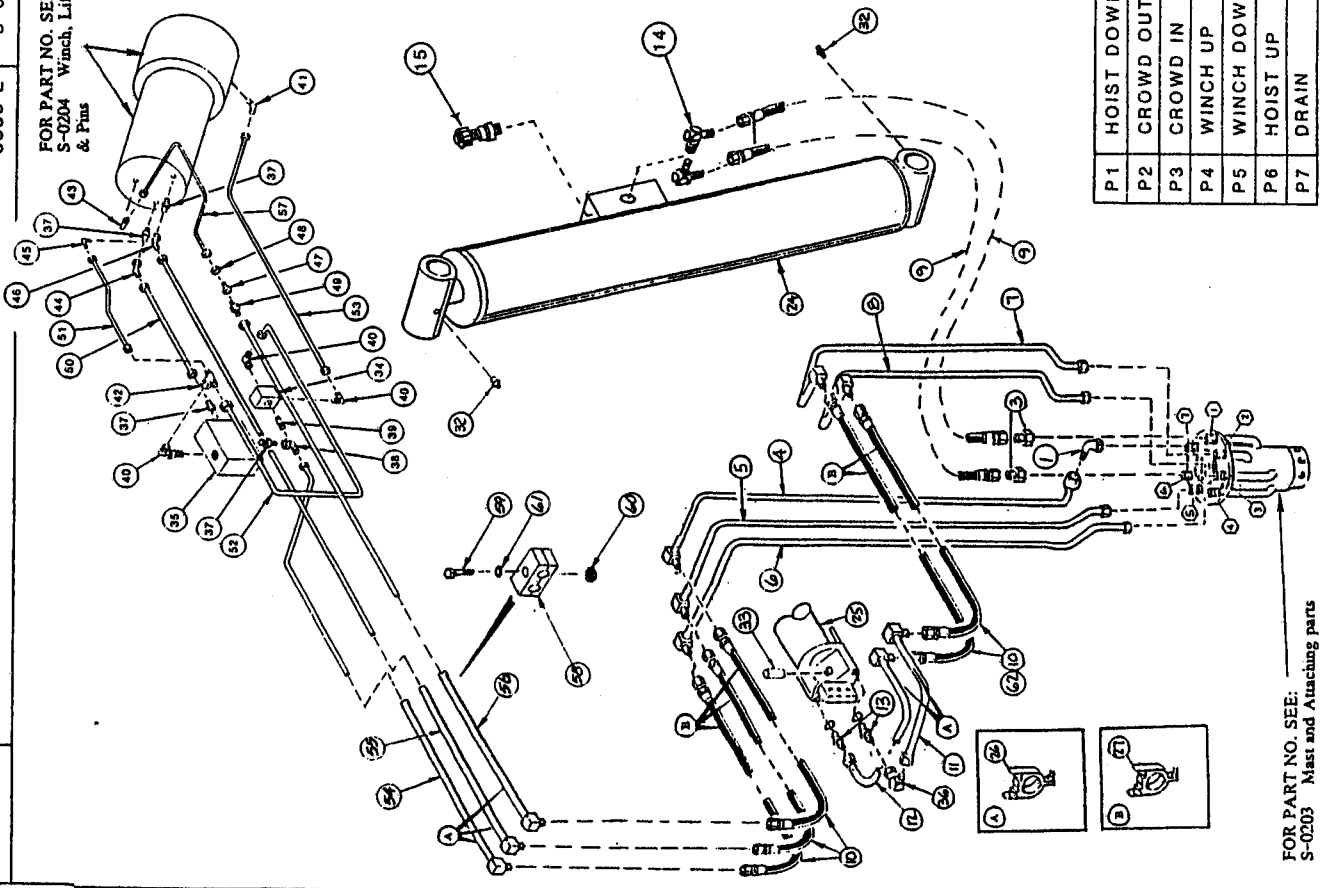
ITEMS MARKED WITH * SEE PARTS SUB PLATE FOR MORE DETAIL

REV: D UPPER HYDRAULICS 3330 E S-0303

FOR PART NO. SEE:
S-0204 Winch, Lift Cyl
& Pins

SERVICE / PARTS BILL OF MATERIAL

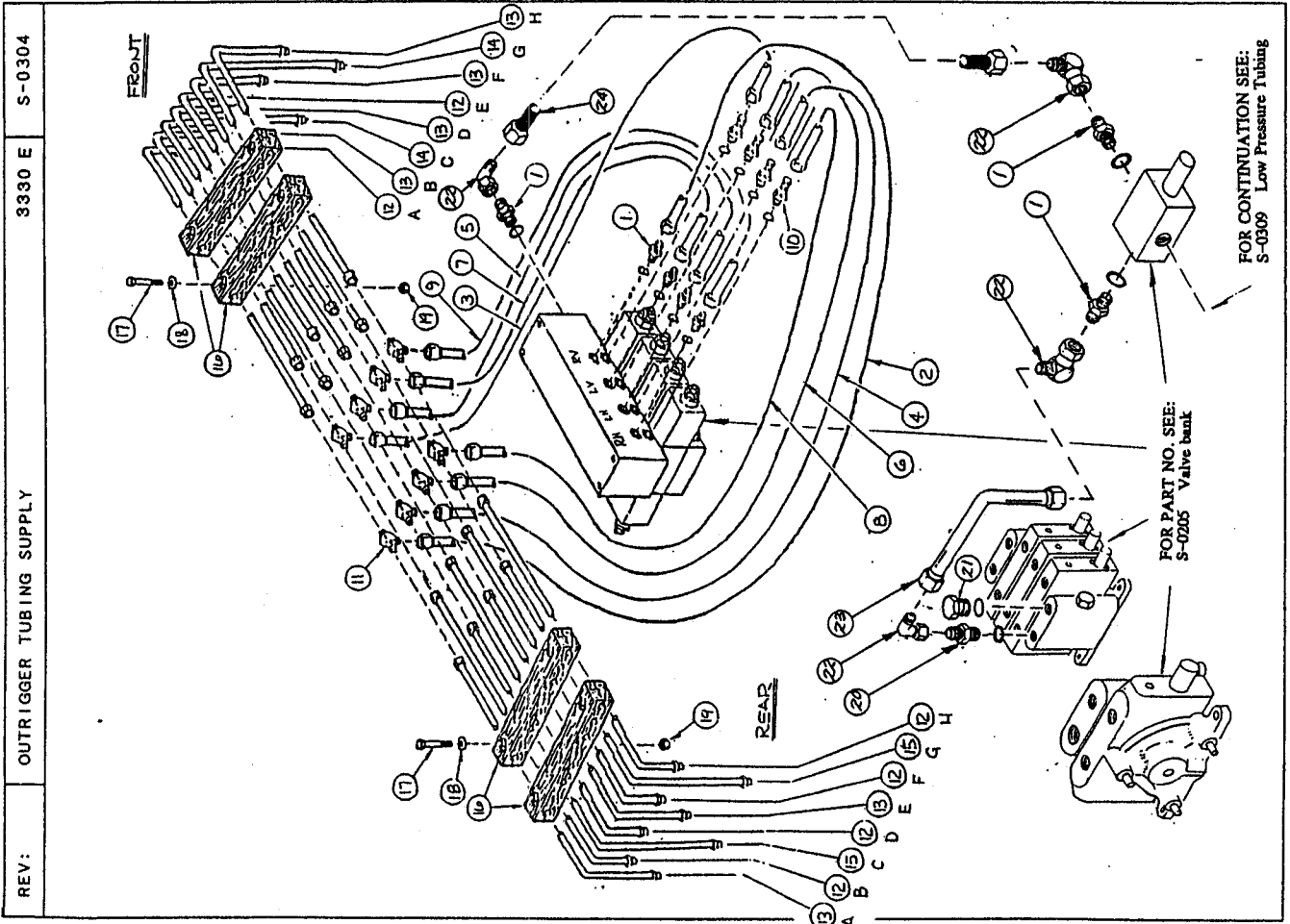
PLATE	ITEM	QTY	PART NO	A	DESCRIPTION	REV	BON CHANGE
S-0303	58	1	1000425		TUBE BLOCK		
	59	1	113-213		BOLT - 3/8 X 2.25 NC HEX		
	60	1	131-52		NUT - LOCK 3/8 NC		
	61	1	195-104		WASHER - FLAT 3/8		
	62	2	1000386HP		HOSE - HYD 1/2 X 38 (MILITARY)		



P1	HOIST DOWN
P2	CROWD OUT
P3	CROWD IN
P4	WINCH UP
P5	WINCH DOWN
P6	HOIST UP
P7	DRAIN

FOR PART NO. SEE:
S-0203 Mast and Attaching parts

ITEMS MARKED WITH * SEE PARTS SUB PLATE FOR MORE DETAIL



REV:

OUTRIGGER TUBING SUPPLY

3330 E

S-0304

SERVICE / PARTS BILL OF MATERIAL

PLATE	ITEM	QTY	PART NO	DESCRIPTION	REV	BON CHANGE
S-0304	1	7	218-5059	OUTRIGGER TUBING SUPPLY	A	
	2	1	1600001	CONNECTOR - 1/2 STR THD O-RING		
	3	1	1600002	TUBE ASSEMBLY		
	4	1	1600003	TUBE ASSEMBLY		
	5	1	1600004	TUBE ASSEMBLY		
	6	1	1600005	TUBE ASSEMBLY		
	7	1	1600006	TUBE ASSEMBLY		
	8	1	1600007	TUBE ASSEMBLY		
	9	1	1600008	TUBE ASSEMBLY		
	10	4	218-5031	CONNECTOR - 1/2 LONG STR THD O-RING		
	11	8	218-594	TEE - 1/2 UNION		
	12	6	S239845	TUBE ASSEMBLY		
	13	6	S239846	TUBE ASSEMBLY		
	14	2	S240346	TUBE ASSEMBLY		
	15	2	S240347	TUBE ASSEMBLY		
	16	4	1100114	BLOCK - TUBE		
	17	8	113-14	BOLT - 1/4 X 2.00 NC HEX		
	18	8	195-102	WASHER - FLAT 1/4		
	19	8	131-71	NUT - LOCK 1/4 NC		
	20	1	218-5060	CONNECTOR - 1/2 X 5/8 STR THD O-RING		
	21	1	218-5157	PLUG - 5/8 HEX HD STR THD O-RING		
	22	4	218-5230	ELBOW - 1/2 (90 DEG) SWIVEL NUT		
	23	1	1600046	TUBE ASSEMBLY		
	24	1	S73647	HOSE - HYD 3/8 X 22		

ITEMS MARKED WITH * SEE PARTS SUB PLATE FOR MORE DETAIL

REV: B

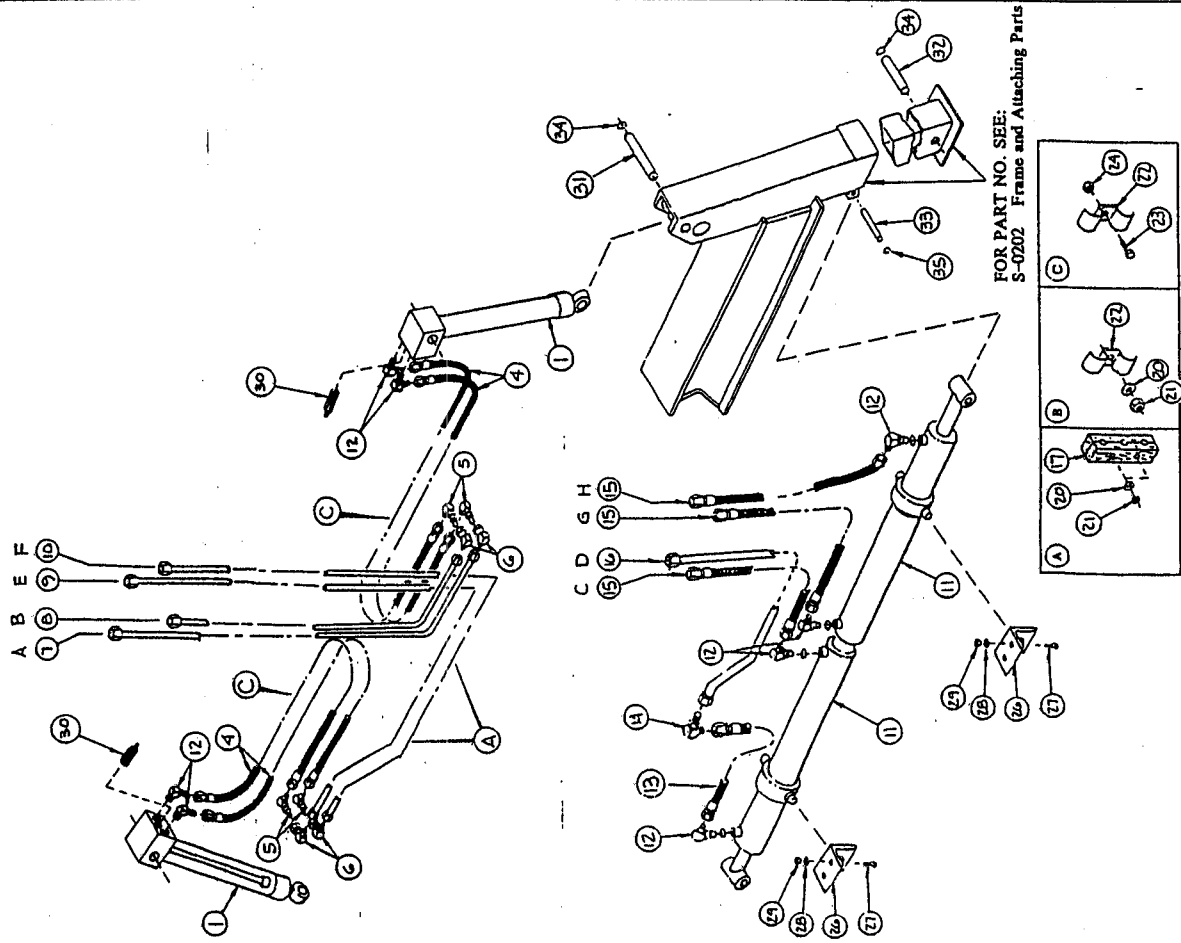
FRONT OUTRIGGER TUBING and CYLINDERS

3330 E

S-0305

SERVICE / PARTS BILL OF MATERIAL

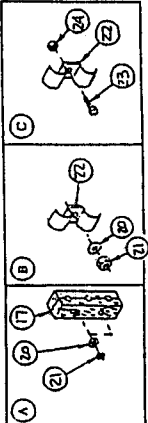
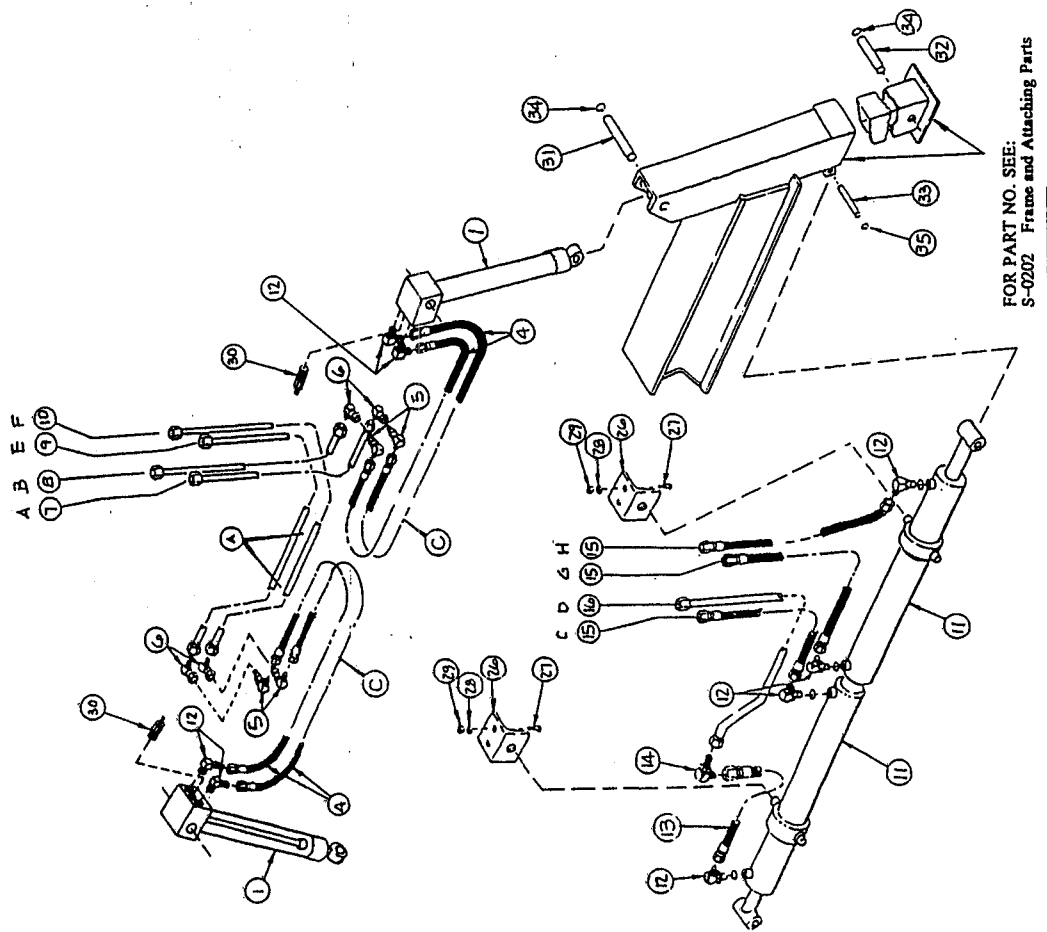
PLATE	ITEM	QTY	PART NO	A	DESCRIPTION	REV	BON CHANGE
S-0305	1	2	S610429	*	FRONT OUTRIGGER TUBING and CYLINDERS	B	
	4	4	S237155	*	CYLINDER - OUTRIGGER VERTICAL BEFORE S/N 129703-94		
	5	4	218-694	*	CYLINDER - OUTRIGGER VERTICAL AFTER S/N 129603-94		
	6	4	218-5230	*	HOSE - HYD 3/8 X 65		
	7	1	1600010	*	ELBOW - 1/2 (90 DEG) BULKHEAD UNION		
	8	1	1600009	*	ELBOW - 1/2 (90 DEG) SWIVEL NUT		
	9	1	1600012	*	TUBE ASSEMBLY		
	10	1	1600011	*	TUBE ASSEMBLY		
	11	2	1200166	*	CYLINDER - OUTRIGGER HORIZONTAL AFTER S/N 130906-94		
	12	2	1200148	*	CYLINDER - OUTRIGGER HORIZONTAL IN BETWEEN		
	13	2	1200077	*	CYLINDER - OUTRIGGER HORIZONTAL BEFORE S/N 129503-94		
	14	8	218-5280	*	ELBOW - 1/2 X 3/8 (90 DEG) STR THD O-RING		
	15	1	S11226	*	HOSE - HYD 3/8 X 20		
	16	1	218-474	*	ELBOW --1/2 (90 DEG) UNION		
	17	3	S11230	*	HOSE - HYD 3/8 X 28		
	18	1	1600013	*	TUBE ASSEMBLY		
	19	2	1000102	*	BLOCK - TUBE		
	20	4	195-104	*	WASHER - FLAT 3/8 (.438-1.000)		
	21	4	131-52	*	NUT - LOCK 3/8 NC		
	22	2	S83619	*	CLAMP - TUBE		
	23	2	113-412	*	BOLT - 1/2 X 1.75 NC HEX		
	24	2	131-70	*	NUT - LOCK 1/2 NC		
	25	2	S239541	*	BRACKET		
	26	4	113-412	*	BOLT - 1/2 X 1.75 NC HEX		
	27	4	196-15	*	WASHER - FLAT (.531-1.062)		
	28	4	131-70	*	NUT - LOCK 1/2 NC		
	29	2	S231531	*	CARTRIDGE - COUNTERBALANCE VALVE BEFORE S/N 129703-94		
	30	2	1001354	*	CARTRIDGE - COUNTERBALANCE VALVE AFTER S/N 129603-94		
	31	2	S117482	*	PIN - VERT OUTRIGGER CYL, UPPER		
	32	2	1000110	*	PIN - VERT OUTRIGGER CYL, LOWER		
	33	2	S117483	*	PIN - HORIZ OUTRIGGER CYL, OUTER		
	34	8	B18208	*	RING - RETAINING		
	35	4	S120260	*	RING - RETAINING		



FOR PART NO. SEE: S-0202 Frame and Attaching Parts

ITEMS MARKED WITH * SEE PARTS SUB PLATE FOR MORE DETAIL

03/03/95



SERVICE / PARTS BILL OF MATERIAL

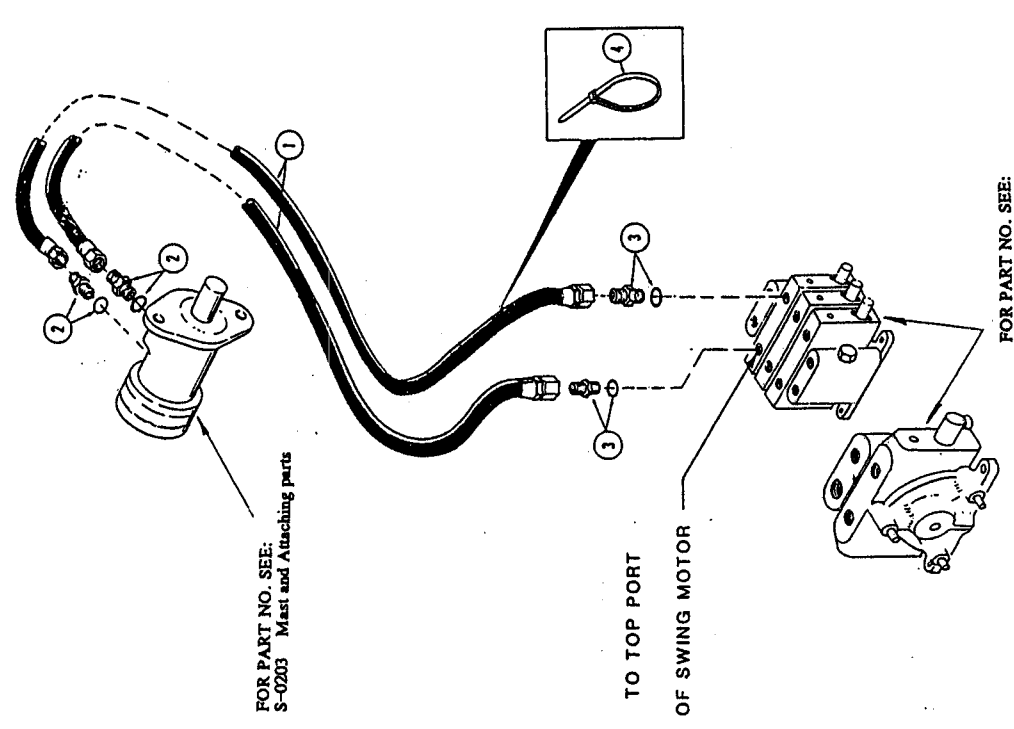
PLATE	ITEM	QTY	PART NO	A	DESCRIPTION	REV	BON CHANGE
S-0306	1	2	S610429	*	REAR OUTRIGGER TUBING and CYLINDERS		
	4	2	1300134	*	CYLINDER - OUTRIGGER VERTICAL BEFORE S/N 129703-94	R	
	5	4	S237155		CYLINDER - OUTRIGGER VERTICAL AFTER S/N 129603-94		
	6	4	218-694		HOSE - HYD 3/8 X 65		
	7	4	218-5230		ELBOW - 1/2 (90 DEG) BULKHEAD UNION		
	8	4	1600019		ELBOW - 1/2 (90 DEG) SWIVEL NUT		
	9	1	1600000		TUBE ASSEMBLY		
	10	1	1600016		TUBE ASSEMBLY		
	11	1	1600017		TUBE ASSEMBLY		
	12	2	1200166	*	CYLINDER - OUTRIGGER HORIZONTAL AFTER S/N 130906-94		
	13	2	1200148	*	CYLINDER - OUTRIGGER HORIZONTAL IN BETWEEN		
	14	2	1200077	*	CYLINDER - OUTRIGGER HORIZONTAL BEFORE S/N 129503-94		
	15	8	218-5280		ELBOW - 1/2 X 3/8 (90 DEG) STR THD O-RING		
	16	1	S11226		HOSE - HYD 3/8 X 20		
	17	1	218-474		ELBOW - 1/2 (90 DEG) UNION		
	18	3	S11230		HOSE - HYD 3/8 X 28		
	19	2	1600018		TUBE ASSEMBLY		
	20	2	1000102		BLOCK - TUBE		
	21	4	195-104		WASHER - FLAT 3/8 (.438-1.000)		
	22	4	131-52		NUT - LOCK 3/8-NC		
	23	2	S83619		CLAMP - TUBE		
	24	2	113-412		BOLT - 1/2 X 1.75 NC HEX		
	25	2	131-70		NUT - LOCK 1/2 NC		
	26	2	S239541		BRACKET		
	27	4	113-412		BOLT - 1/2 X 1.75 NC HEX		
	28	4	196-15		WASHER - FLAT (.531-1.062)		
	29	4	131-70		NUT - LOCK 1/2 NC		
	30	2	S231531		CARTRIDGE - COUNTERBALANCE VALVE		
	31	2	1001354		CARTRIDGE - COUNTERBALANCE VALVE		
	32	2	S117482		PIN - VERT OUTRIGGER CYL, UPPER		
	33	2	1000110		PIN - VERT OUTRIGGER CYL, LOWER		
	34	8	S117483		PIN - HORIZ OUTRIGGER CYL, OUTER		
	35	4	B18208		RING - RETAINING		
		4	S120260		RING - RETAINING		

ITEMS MARKED WITH * SEE PARTS SUB PLATE FOR MORE DETAIL

REV: SWING MOTOR TUBING 3330 E S-0307

SERVICE / PARTS BILL OF MATERIAL

PLATE	ITEM	QTY	PART NO	DESCRIPTION	REV	BON CHANGE
S-0307	1	2	S11229	SWING MOTOR TUBING	A	
	2	2	218-5060	HOSE - HYD 3/8 X 49		
	3	2	218-5059	CONNECTOR - 1/2 X 5/8 STR THD O-RING		
	4	2	1000104B	CONNECTOR - 1/2 STR THD O-RING TIE - NYLON		



FOR PART NO. SEE:
S-0203 Mast and Attaching parts

TO TOP PORT
OF SWING MOTOR

FOR PART NO. SEE:
S-0205 Valve bank

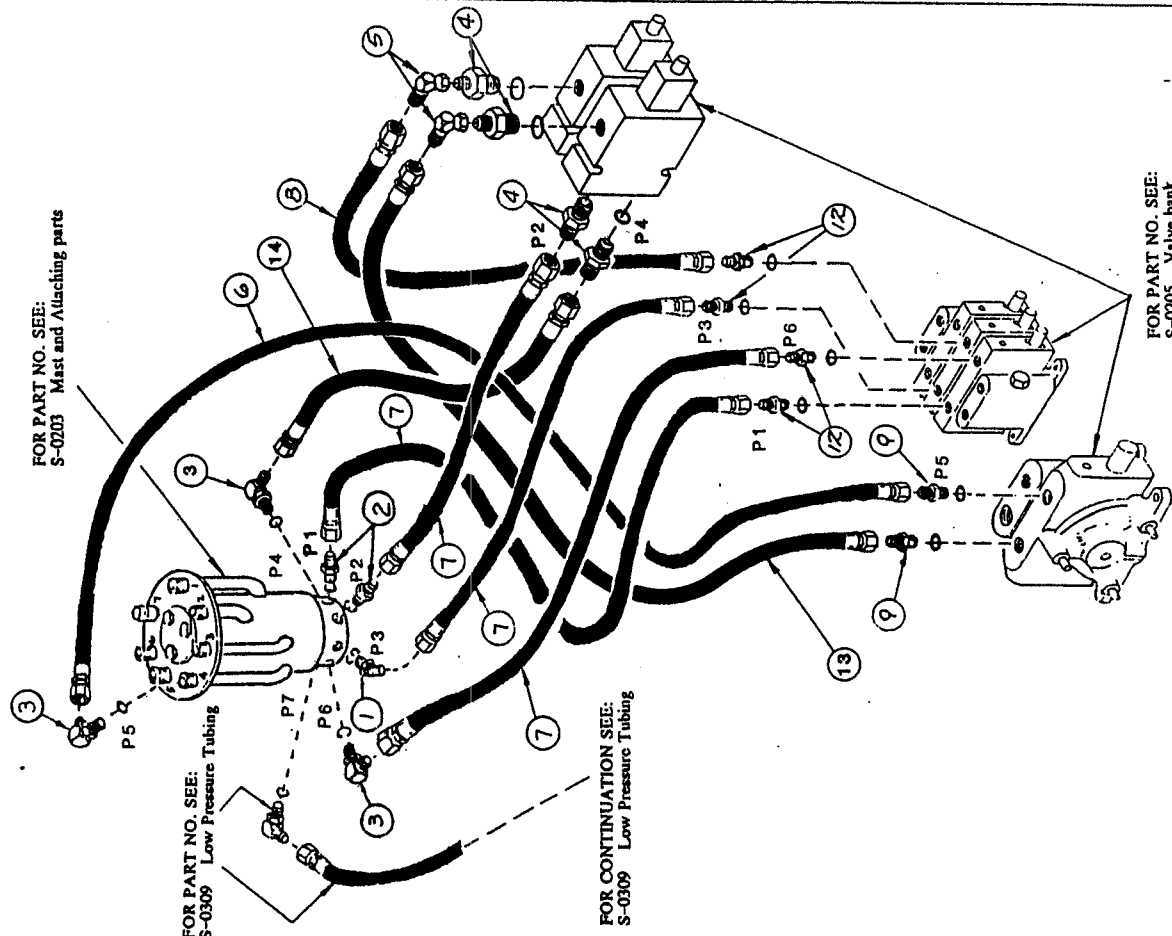
ITEMS MARKED WITH * SEE PARTS SUB PLATE FOR MORE DETAIL

SERVICE / PARTS BILL OF MATERIAL

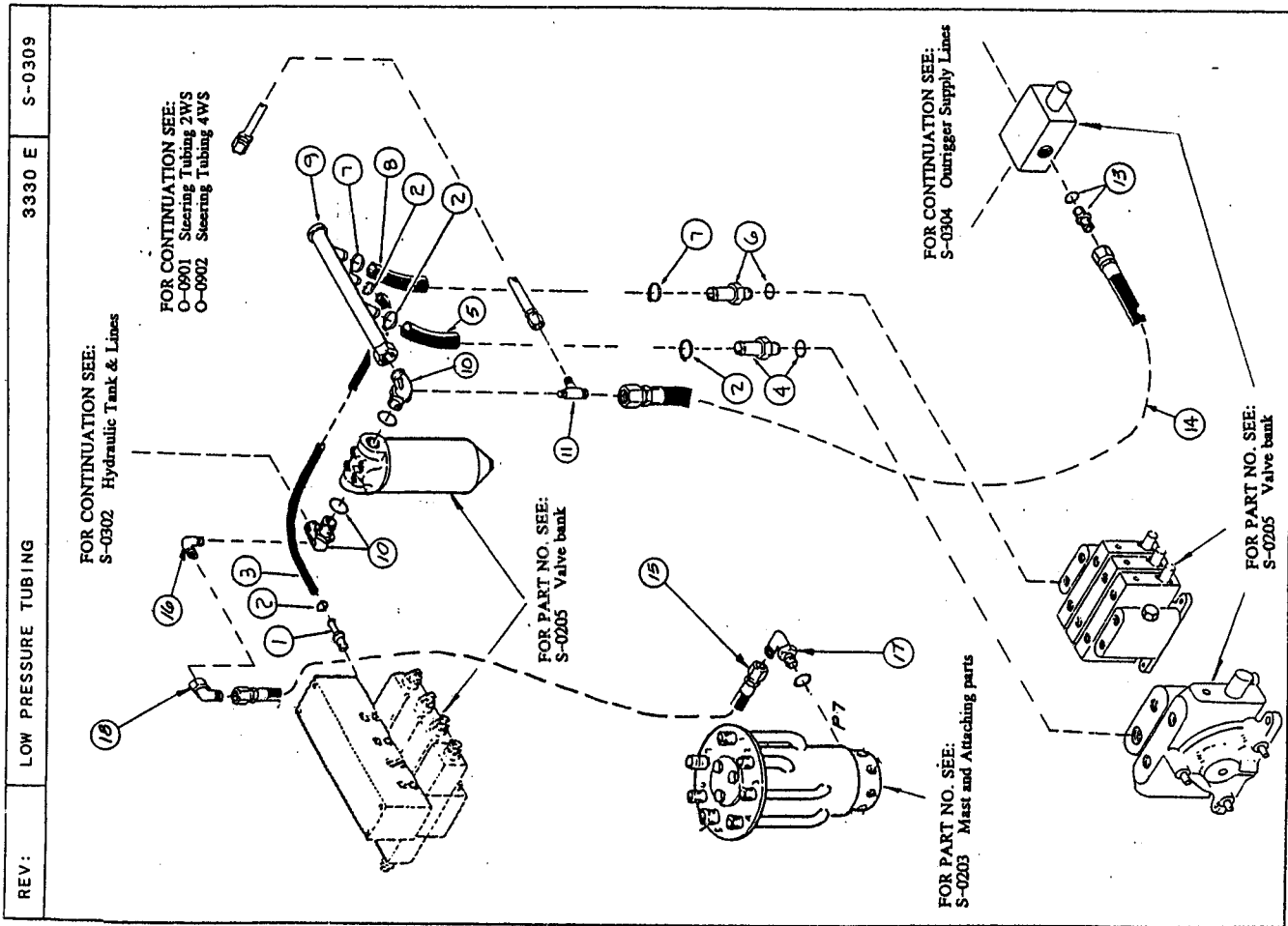
PLATE	ITEM	QTY	PART NO	A	DESCRIPTION
S-0308	1	1	218-5137		TUBING, MAIN VALVES TO SWIVEL
	2	2	218-5062		ELBOW - 5/8 (45 DEG) STR THD O-RING
	3	3	218-5107		CONNECTOR - 5/8 STR THD O-RING
	4	4	218-5063		ELBOW - 5/8 (90 DEG) STR THD O-RING
	5	2	218-5232		CONNECTOR - 5/8 X 3/4 STR THD O-RING
	6	1	1000079		ELBOW - 5/8 (90 DEG) SWIVEL NUT
	7	4	1000396HP		HOSE - HYD 5/8 X 54
	8	4	1000396		HOSE - HYD 1/2 X 38 (MILITARY)
	9	1	S8577HP		HOSE - HYD 1/2 X 38 (COMMERCIAL)
	10	1	S8577		HOSE - HYD 1/2 X 20 (MILITARY)
	11	1	S8577		HOSE - HYD 1/2 X 20 (COMMERCIAL)
	12	2	218-5063		CONNECTOR - 5/8 X 3/4 STR THD O-RING
	13	4	218-5066		CONNECTOR - 5/8 X 1/2 STR THD O-RING
	14	1	S8578HP		HOSE - HYD 1/2 X 26 (MILITARY)
		1	S8578		HOSE - HYD 1/2 X 26 (COMMERCIAL)
		1	1001359		HOSE - HYD 5/8 X 34

REV BON CHANGE
C

FOR PART NO. SEE:
S-0205 Mast and Attaching parts



ITEMS MARKED WITH * SEE PARTS SUB PLATE FOR MORE DETAIL



REV: 3330 E S-0309

LOW PRESSURE TUBING

FOR CONTINUATION SEE:
S-0302 Hydraulic Tank & Lines

FOR CONTINUATION SEE:
O-0901 Steering Tubing 2WS
O-0902 Steering Tubing 4WS

FOR PART NO. SEE:
S-0205 Valve bank

FOR PART NO. SEE:
S-0203 Mast and Attaching parts

FOR CONTINUATION SEE:
S-0304 Outrigger Supply Lines

FOR PART NO. SEE:
S-0205 Valve bank

SERVICE / PARTS BILL OF MATERIAL

PLATE	ITEM	QTY	PART NO	A	DESCRIPTION	REV	BON CHANGE
S-0309	1	1	217-396	A	LOW PRESSURE TUBING		
	2	4	214-255		CONNECTOR - 3/4 X 1/2 STR BARB HOSE STEM		
	3	1	S120186		CLAMP - HOSE, SAE #16 (1.50-0.81)		
	4	1	217-179		HOSE - RUBBER 3/4 X 25		
	5	1	S120212		CONNECTOR - 1 STR BARB HOSE STEM, STEEL		
	6	1	217-175		HOSE - RUBBER 1 X 15		
	7	2	214-253		CONNECTOR - 5/8 STR BARB HOSE STEM, STEEL		
	8	1	1000361		CLAMP - HOSE, SAE #10 (1.06-0.56)		
	9	1	S239844		HOSE - RUBBER 5/8 X 19		
	10	2	1100022		TUBE ASSEMBLY		
	11	1	S60421		ELBOW - TAPPED		
	13	1	218-5059		TEE		
	14	1	S73647		CONNECTOR - 1/2 STR THD O-RING		
	15	1	S11229		HOSE - HYD 3/8 X 22		
	16	1	218-484		HOSE - HYD 3/8 X 49		
	17	1	218-5121		ELBOW - 1/2 (90 DEG) NPTF MALE		
	18	1	218-5230		ELBOW-90 DEG 1/2 X 5/8 STR THD O-RING		
					ELBOW - 1/2 90 DEG SWIVEL NUT		

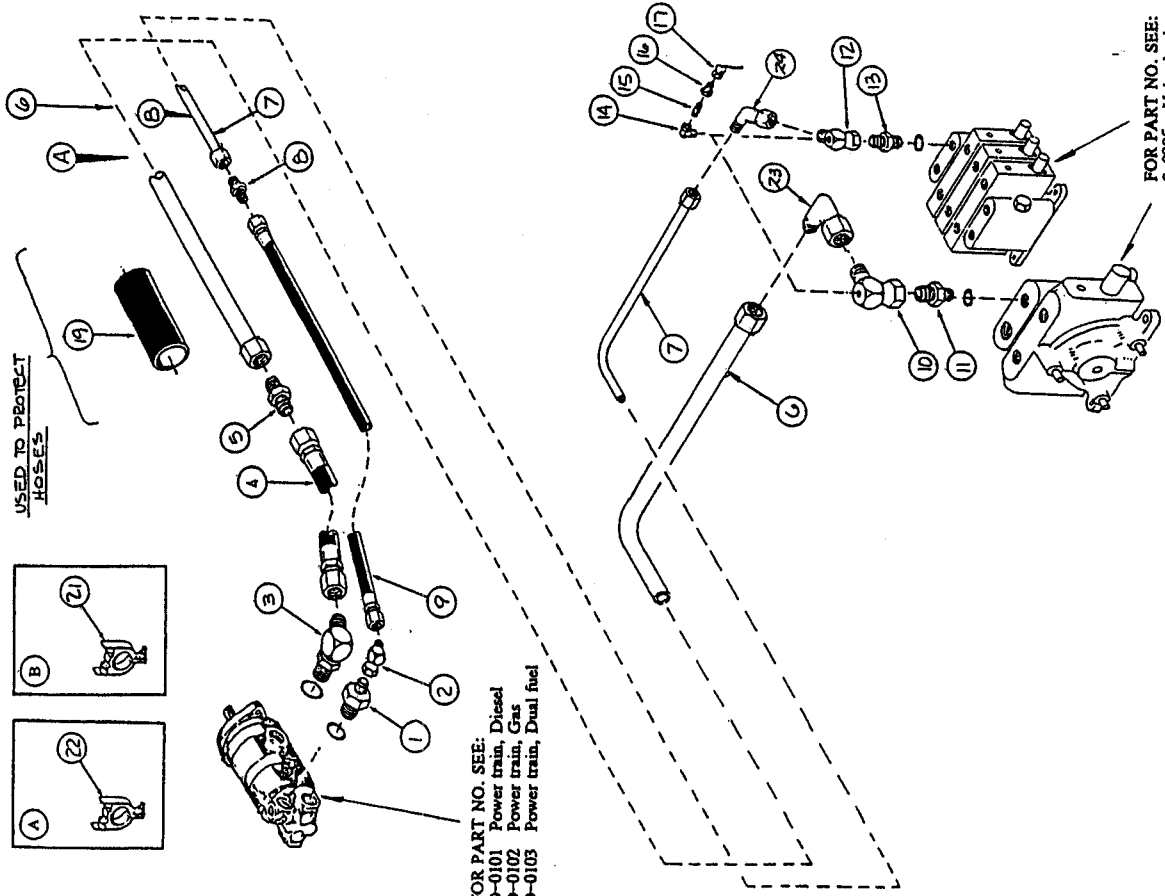
ITEMS MARKED WITH * SEE PARTS SUB PLATE FOR MORE DETAIL

REV: B

PUMP TO VALVES TUBING

3330 E

S-0310



FOR PART NO. SEE:
 O-0101 Power train, Diesel
 O-0102 Power train, Gas
 O-0103 Power train, Dual fuel

SERVICE / PARTS BILL OF MATERIAL

PLATE	ITEM	QTY	PART NO	A	DESCRIPTION
S-0310	1	1	218-5085		TUBING, PUMP TO VALVES
	2	1	218-5175		CONNECTOR - 3/4 X 5/8 STR THD O-RING
	3	1	218-5140		ELBOW - 3/4 (45 DEG) SWIVEL NUT
	4	1	1000404HP		ELBOW - 1 (45 DEG) STR THD O-RING
	5	1	1000404		HOSE - HYD 1 X 23 (MILITARY)
	6	1	218-739		HOSE - HYD 1 X 23 (COMMERCIAL)
	7	1	1600064		UNION - 1
	8	1	1600064		TUBE ASSEMBLY (GAS)
	9	1	1600065		TUBE ASSEMBLY (DIESEL)
	10	1	1600042		TUBE ASSEMBLY (GAS)
	11	1	218-737		TUBE ASSEMBLY (DIESEL)
	12	1	S400835HP		UNION - 3/4
	13	1	S400835		HOSE - HYD 3/4 X 32 (MILITARY)
	14	1	S99402		HOSE - HYD 3/4 X 32 (COMMERCIAL)
	15	1	218-5050		ELBOW
	16	1	S99401		CONNECTOR - 1 X 3/4 STR THD O-RING
	17	1	218-5065		ELBOW
	18	2	217-1015		CONNECTOR - 3/4 X 5/8 STR THD O-RING
	19	2	217-1080		ELBOW - 1/4 (90 DEG) NPTF STREET
	20	2	S206607		NIPPLE - PIPE 1/4 NPTF
	21	2	S206608		COUPLING - QUICK
	22	1	S118573-012		CAP - DUST
	23	1	S97491		HOSE - RUBBER 2.50 X 12
	24	1	S91602		CLAMP - TUBE 3/4
	25	1	218-5234		CLAMP - TUBE 1.00
	26	1	218-5175		ELBOW - 1 (90 DEG) SWIVEL NUT
	27	1			ELBOW - 3/4 (45 DEG) SWIVEL NUT

PLATE

ITEM

QTY

PART NO

A

DESCRIPTION

REV

B

BON CHANGE

ITEMS MARKED WITH * SEE PARTS SUB PLATE FOR MORE DETAIL

01/30/95

REV: A

MAIN WIRING HARNESS

3380E

S-0401

FOR INDENTED ITEMS
 SEE REF. DRAWINGS
 1300098
 OR
 1300099

SERVICE / PARTS BILL OF MATERIAL

PLATE	ITEM	QTY	PART NO	A	DESCRIPTION	REV	BON CHANGE
S-0401	1	1	1300127		MAIN WIRING HARNESS		
	2	2	214-1204		..HARNES - MAIN WIRING		
	3	2	214-1207		CLAMP - HARNES .500/.625		
	4	1	D121972		CLAMP - HARNES .875/1.000		
	6	4	1000078		..ALARM - BACKUP		
	7	2	S31862		..LIGHT - HEAD		
	8	2	S31861		..LIGHT - FRONT TURN SIGNAL		
	10	1	S203189		..LIGHT - REAR TURN SIGNAL & TAIL LIGHT		
	11	2	131-464		..HORN		
	12	2	195-521		NUT - LOCK 5/16 NC		
	13	4	214-1202		WASHER - FLAT 5/16 (.344-.688)		
	14	8	S62144		CLAMP - HARNES .312		
	15	4	113-433		NUT - SPEED 3/16		
	16	6	1000988K		BOLT - 1/2 X 0.75 NC HEX		
	17	8	S117294		WASHER - LOCK 1/2 (STAR TOOTH)		
	18	4	S78706		TERMINAL - TAB		
	19	2	131-71		NUT - LOCK 1/4 NC		
	20	3	195-518		WASHER - FLAT 1/4 (.281-.625)		
	21	1	S206566		WIRE - GROUND JUMPER		
	22	1	S240385		..HARNES - WIRING, BACK UP ALARM		
	23	2	131-63		NUT - LOCK 1/4 NF		
	24	3	195-102		WASHER - FLAT 1/4		

ITEMS MARKED WITH * SEE PARTS SUB PLATE FOR MORE DETAIL

REV: B OUTRIGGER WIRING HARNESS 3330E S-0402

FOR INDENTED ITEMS
SEE REF. DRAWINGS
1300098
OR
1300099

SERVICE / PARTS BILL OF MATERIAL

PLATE	ITEM	QTY	PART NO	A	DESCRIPTION	REV	BON CHANGE
S-0402	1	1	1200067		WIRING HARNESS, OUTRIGGER	B	
	2	1	1300133		..HARNISS - OUTRIGGER VALVE		
	3	4	S117471		..HARNISS - OUTRIGGER/4 WHL STR SWITCH		

ITEMS MARKED WITH * SEE PARTS SUB PLATE FOR MORE DETAIL

REV: A

INSTRUMENT PANEL WIRING HARNESS

3330E

S-0403

SERVICE / PARTS BILL OF MATERIAL

PLATE	ITEM	QTY	PART NO	A	DESCRIPTION	REV	BON CHANGE
S-0403	1	1	1300126		WIRING HARNESS, INSTRUMENT PANEL	A	
	2	1	1000782		GAUGE - INSTRUMENT PANEL		
	4	1	1000784		GAUGE - HOURMETER		
	5	1	1000785		GAUGE - FUEL		
	6	1	1000786		GAUGE - VOLT METER		
	7	1	1000787		GAUGE - ENGINE TEMPERATURE		
	8	1	1000366		GAUGE - ENGINE OIL PRESSURE		
	9	2	S28822		..SWITCH - LIGHT		
	10	2	71421		..LIGHT - PANEL		
	11	5	223-20		..BULB - PANEL LIGHT		
	12	5	223-15		FUSE - 20A		
	13	4	S117471		FUSE - 15A		
	14	1	1000996		..SWITCH - TOGGLE		
	15	1	S515141		..FLASHER - TURN SIGNAL		
	16	1	S108413		..SWITCH - TURN SIGNAL		
	18	4	B50213		..SWITCH - IGNITION (KEY S108413A)		
	19	1	1001189		BULB - LIGHT 12V		
	20	2	129-15		..HOLDER - FUSE		
	21	2	192-15		NUT - #6 NC		
	22	2	173-63		WASHER - LOCK #6		
	25	1	113-103		SCREW - MACH #6 X 0.63 NC		
	26	1	195-521		BOLT - 5/16 X 1.00 NC HEX		
	27	1	131-69		WASHER - FLAT 5/16 (.344-.688)		
	28	1	S49944		NUT - LOCK 5/16 NC		
	29	1	1000988H		CONNECTOR - BULLET		
	30	1	1001129		WASHER - LOCK 5/16* (STAR TOOTH)		
	31	1	1001130		..HOLDER - LAMP		
	32	1	1001131		..LENS - RED		
	33	1	1000997		..BULB - 12VDC		
					..FLASHER BRACKET		

FOR INDENTED ITEMS
SEE REF. DRAWINGS

1300098

OR

1300099

ITEMS MARKED WITH * SEE PARTS SUB PLATE FOR MORE DETAIL

REV: B

TRANSMISSION WIRING HARNESS

3380E

S-0404

FOR INDENTED ITEMS
 SEE REF. DRAWINGS
 1300098
 OR
 1300099

SERVICE / PARTS BILL OF MATERIAL

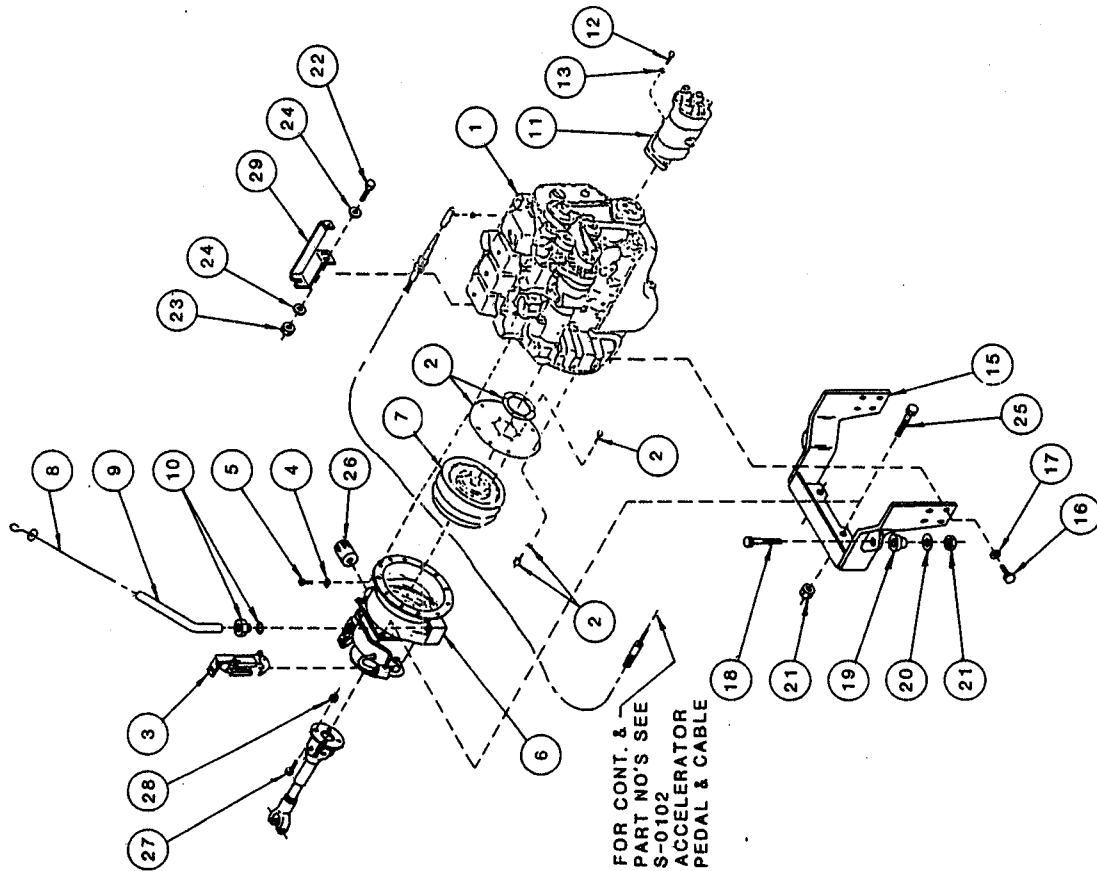
PLATE	ITEM	QTY	PART NO	A	DESCRIPTION	REV	BON CHANGE
S-0404	1	1	1300130		WIRING HARNESS, TRANSMISSION		
	2	1	S72217		..HARNESS - TRANSMISSION		
	3	6	223-178		RECEPTACLE - 8-PIN		
	4	1	1100271		TERMINAL - MALE BLADE		
	5	4	1000098		..PANEL - RELAY MOUNTING		
	6	4	113-5		SPACER		
	7	4	131-7		BOLT - 1/4 X 1.50 NC HEX		
	8	1	1001229		NUT - LOCK 7/16 NC		
	9	20	1001228		STRIP - TERMINAL, 20		
	10	4	173-66		DISCONNECT - SINGLE, 0.032"		
	11	4	192-16		SCREW - 6-32 X 1.00		
	12	4	129-15		WASHER - LOCK #6		
	13	9	1001188		NUT - #6 NC		
	14	18	173-63		..RELAY - SPDT		
	15	18	195-507		SCREW - MACH #6 X 0.63 NC		
	16	18	192-16		WASHER - FLAT #6		
	17	18	129-15		WASHER - LOCK #6		
	18	8	1001227		NUT - #6 NC		
	19	8	192-18		..DIODE - 1N1199A		
	20	8	129-37		WASHER - LOCK 3/16		
	21	8			NUT - #10 NF		
	22	4	1000384		DISCONNECT - SINGLE		
	23	15	1001234		..DIODE - 1N5402		
	24	8	1001231		LUG - TERMINAL		
	25	1	223-162		DISCONNECT, DUAL CONNECTOR		

ITEMS MARKED WITH * SEE PARTS SUB PLATE FOR MORE DETAIL

OPTION PLATES

INDEX - OPTIONS PLATES -

DESCRIPTION	PLATE	REV
BOOM - 3 SECTION	0-1201	B
BOOM - 4 SECTION	0-1202	B
BRAKE LINES - 2 & 4 WHEEL STEER (HURTH)	0-1002	B
BRAKE LINES - 2 WHL STEER (ROCKWELL AXLE)	0-1001	B
DRIVE AXLE (ROCKWELL NO-SPIN) - 2 WHL STEER	0-0701	A
DRIVE-RIGID AXLE (HURTH NO-SPIN) - 2 WHL STEER	0-0703	A
DRIVE-STEER AXLE (HURTH NO-SPIN) - 4 WHL STEER	0-0702	C
EXHAUST - DIESEL ENGINE - W/CATALYTIC CONVERTER	0-0402	B
EXHAUST - DIESEL ENGINES - STANDARD	0-0401	B
EXHAUST - GAS & DUAL FUEL ENG - W/ SPARK ARR.	0-0404	A
EXHAUST - GAS & DUAL FUEL ENGINES - STANDARD	0-0403	A
FLUID and LUBE - DIESEL (2 & 4 WHL STEER) (HURTH AXLE)	0-1102	B
FLUID and LUBE - DIESEL (2 WHL STEER) (ROCKWELL AXLE)	0-1101	B
FLUID and LUBE - GAS (2 & 4 WHL STEER) (HURTH AXLE)	0-1104	B
FLUID and LUBE - GAS (2 WHL STEER) (ROCKWELL AXLE)	0-1103	B
FUEL LINES - DIESEL	0-0301	A
FUEL LINES - GAS & DUAL FUEL	0-0302	A
PAINT and DECALS - PETTIBONE	0-1502	B
POWER TRAIN - DIESEL ENGINE	0-0101	C
POWER TRAIN - DUAL FUEL ENGINE	0-0103	B
POWER TRAIN - GAS ENGINE	0-0102	C
RADIATOR & AIR CLEANER - GAS & DUAL FUEL	0-0202	B
RADIATOR, AIR CLEANER & PARTS - DIESEL	0-0201	A
SEAT - STANDARD	0-1401	A
SEAT - SUSPENSION	0-1402	A
STEERING TUBING - 2 WHEEL STEER W/POWER BRAKE	0-0903	A
TUBING, STEERING - 2 WHL STEER	0-0901	A
TUBING, STEERING - 4 WHL STEER	0-0902	A
WHEEL - FRONT - 2 OR 4 WHL STEER HURTH (2 REQ'D)	0-0802	B
WHEEL - FRONT - 2 WHL STEER (2 REQ'D) -ROCKWEL AXLE ONLY	0-0801	B
WIRING HARNESS, DIESEL ENGINE	0-0601	A
WIRING HARNESS, GAS & DUAL FUEL	0-0602	A



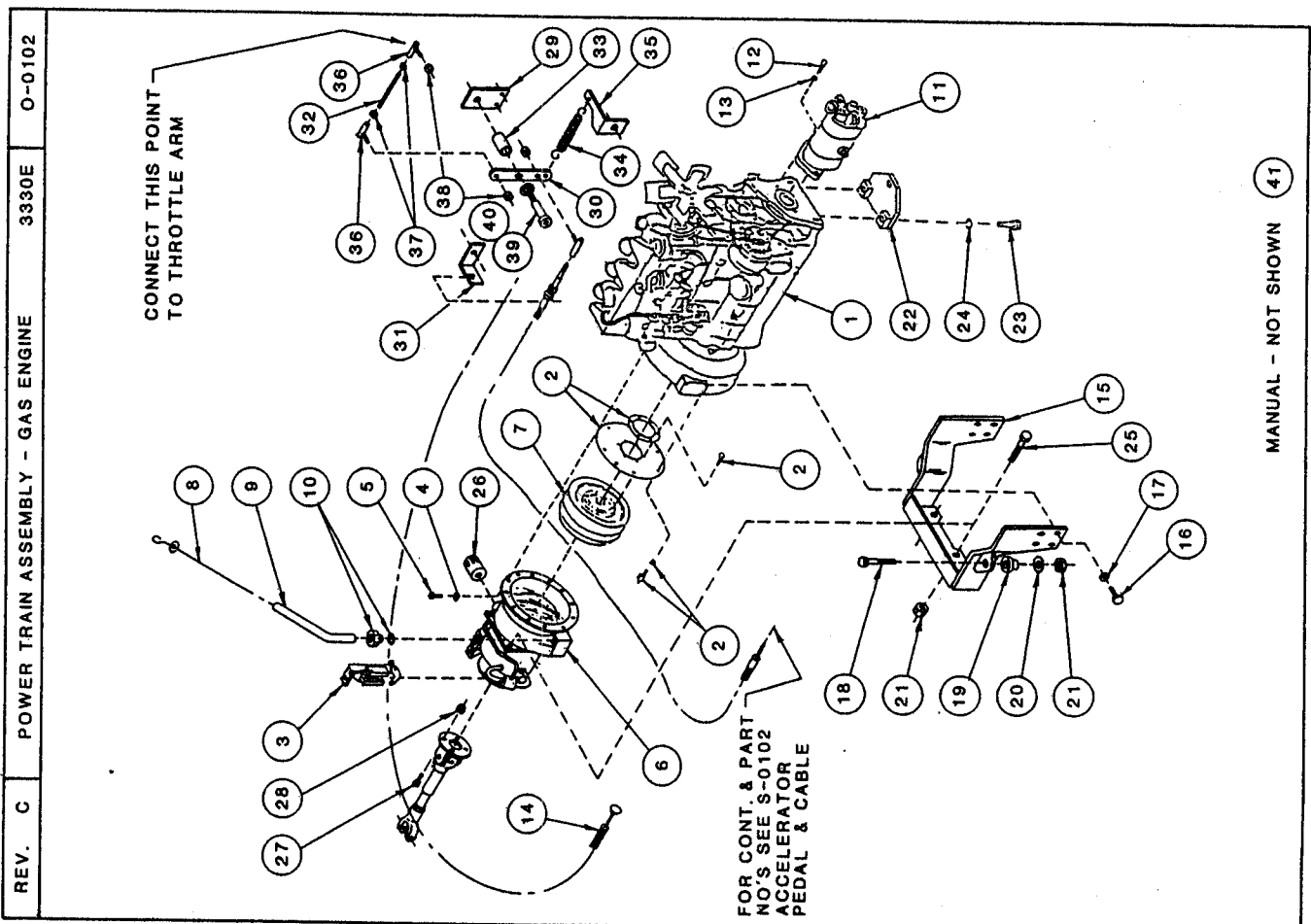
SERVICE / PARTS BILL OF MATERIAL

PLATE	ITEM	QTY	PART NO	A	DESCRIPTION
0-0101	1	1	1100272	*	POWER TRAIN - DIESEL ENGINE
	2	1	A15669		ENGINE - DIESEL
	3	1	1100181		DRIVE PLATE KIT
	4	12	192-22		CALIPER - PARKING BRAKE
	5	12	814-10035		WASHER - LOCK 7/16
	6	1	1300092	*	BOLT - M10-1.50 X 35 HEX
	7	1	1001300		TRANSMISSION ASSEMBLY
	8	1	1001301		TORQUE CONVERTER
	9	1	1001302		DIPSTICK
	10	1	1001303		DIPSTICK FILLER TUBE
	11	1	1100051		DIPSTICK TUBE SEAL & LOCKNUT
	12	2	826-12035		PUMP - HYDRAULIC
	13	2	192-23		BOLT - M12-1.75 X 35 HEX
	14	1	1300091		WASHER - LOCK 1/2
	15	8	826-12035		BRACKET - ENGINE MOUNTING
	16	8	192-23		BOLT - M12-1.75 X 35 HEX
	17	2	113-627		WASHER - LOCK 1/2
	18	2	1000002		BOLT - 5/8 X 3.25 NC HEX
	19	2	195-2262		GROMMET - RUBBER
	20	4	131-14		WASHER - SHUDDING
	21	2	113-9		NUT - LOCK 5/8 NC
	22	2	131-71		BOLT - 1/4 X 0.88 NC HEX
	23	2	195-518		NUT - LOCK 1/4 NC
	24	4	113-621		WASHER - FLAT 1/4
	25	2	1001304		BOLT - 5/8 X 2.75 NC HEX
	26	1	129-530		OIL FILTER ELEMENT
	27	4	1100244		BOLT - 7/16 X 1.50 NF HEX GR 8
	28	4	1000059		NUT - 7/16 NF
	29	1	1000059		BRACKET - ACCELERATOR CABLE
	30	1	1000059		PARTS MANUAL, CUMMINS
	31	1	1000060		OPERATOR'S & MAINT. MANUAL CUMMINS

REV BON CHANGE
C

ITEMS MARKED WITH * SEE PARTS SUB PLATE FOR MORE DETAIL

03/10/95



REV. C POWER TRAIN ASSEMBLY - GAS ENGINE 3330E 0-0102

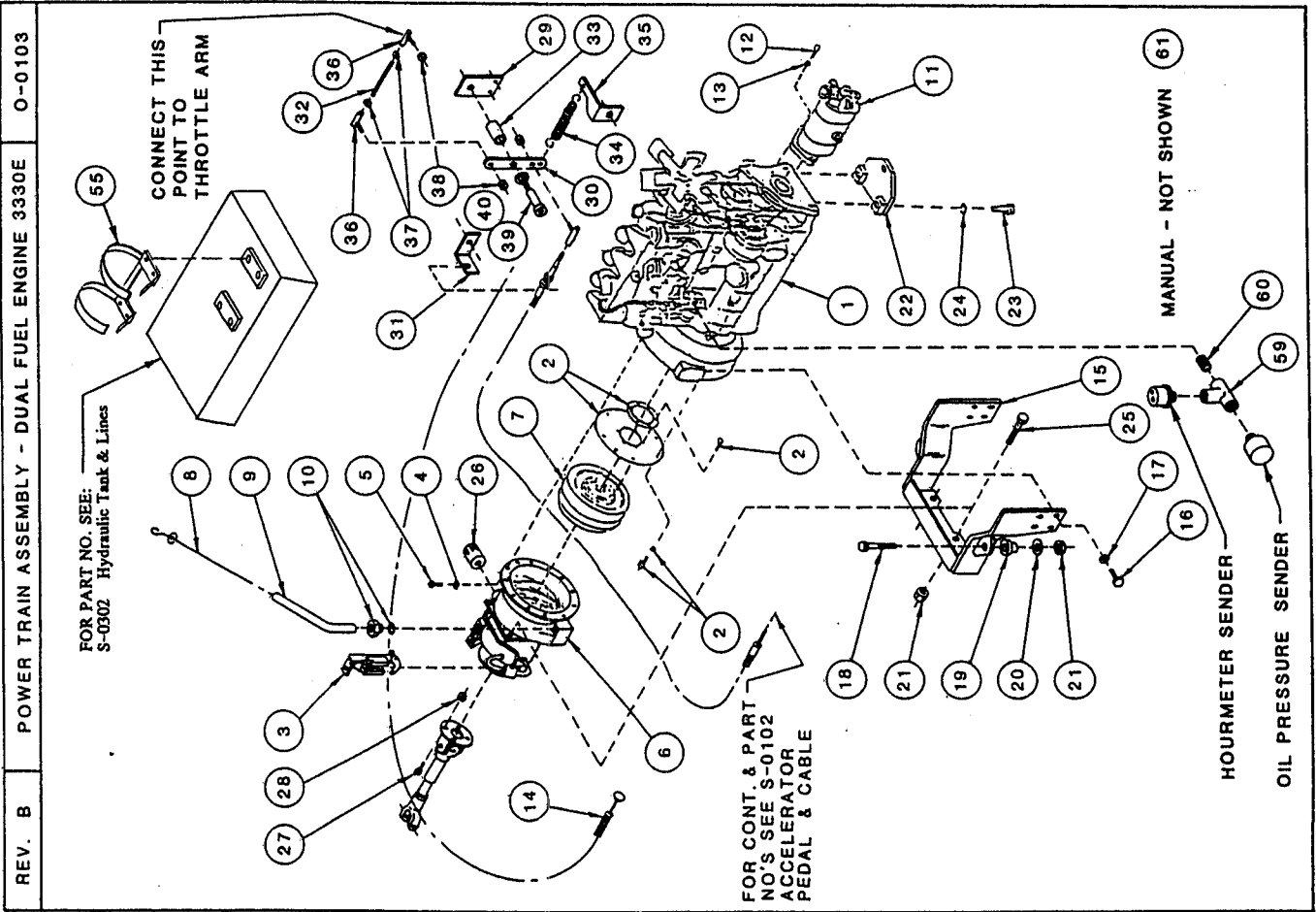
SERVICE / PARTS BILL OF MATERIAL
 PLATE 0-0102
 ITEM QTY PART NO A DESCRIPTION
 REV BON CHANGE
 C

ITEM	QTY	PART NO	A	DESCRIPTION
1	1	1100300		POWER TRAIN - GAS ENGINE
2	1	S27479		ENGINE - GAS
3	1	1100181		DRIVE PLATE KIT
4	12	192-21		CALIPER - PARKING BRAKE
5	12	113-208		WASHER - LOCK 3/8
6	1	1300092	*	BOLT - 3/8 X 1.25 NC HEX
7	1	1001300		TRANSMISSION ASSEMBLY
8	1	1001301		TORQUE CONVERTER
9	1	1001302		DIPSTICK
10	1	1001303		DIPSTICK FILLER TUBE
11	1	1100230	*	DIPSTICK TUBE SEAL & LOCKNUT
12	2	826-12035		PUMP - HYDRAULIC
13	2	192-23		BOLT - M12-1.75 X 35 HEX
14	1	S201620		WASHER - LOCK 1/2
15	1	1300090		CABLE - CHOKE
16	8	26-822		BRACKET - ENGINE MOUNTING
17	8	192-23		BOLT - 1/2 X 1.38 NC HEX GR 8
18	2	113-627		WASHER - LOCK 1/2
19	2	1000002		BOLT - 5/8 X 3.25 NC HEX
20	2	195-2262		GROMMET - RUBBER
21	4	131-14		WASHER - SNUBBING
22	1	1100018		NUT - LOCK 5/8 NC
23	2	826-12065		PLATE - FRONT ENGINE MOUNTING
24	2	192-23		BOLT - M12-1.75 X 65 HEX
25	2	113-621		WASHER - LOCK 1/2
26	1	1001562		OIL FILTER
27	4	28-724		BOLT - 5/8 X 2.75 NC HEX
28	4	129-530		BOLT - 7/16 X 1.50 NF HEX GR 8
29	1	1001601		NUT - 7/16 NF
30	1	1001602		ARM
31	1	1001603		THROTTLE BRACKET
32	1	1001604		THREADED ROD
33	1	1001605		SPACER
34	1	1001606		SPRING
35	1	1001607		SPRING BRACKET
36	2	A10329		BALL JOINT
37	2	129-161		JAM NUT
38	2	131-498		NUT, LOCK
39	1	S64872		SHOULDER BOLT
40	1	195-106		WASHER - FLAT 1/2
41	1	1000400		PARTS MANUAL (CONTINENTAL)

ITEMS MARKED WITH * SEE PARTS SUB PLATE FOR MORE DETAIL

MANUAL - NOT SHOWN (41)

01/31/8



FOR PART NO. SEE:
S-0302 Hydraulic Tank & Lines

CONNECT THIS POINT TO THROTTLE ARM

FOR CONT. & PART NO'S SEE S-0102 ACCELERATOR PEDAL & CABLE

MANUAL - NOT SHOWN (61)

HOURMETER SENDER (16)

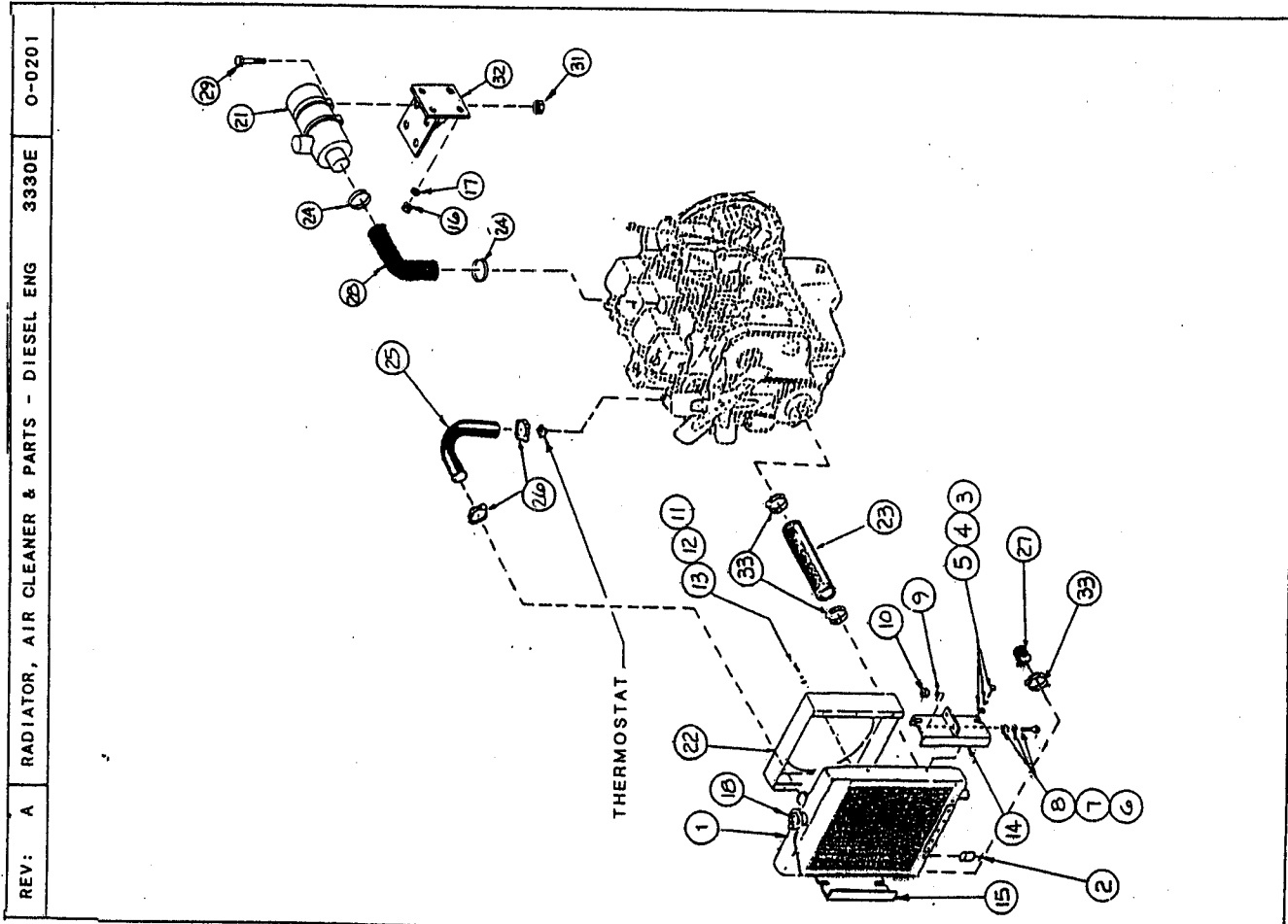
OIL PRESSURE SENDER (60)

REV. B POWER TRAIN ASSEMBLY - DUAL FUEL ENGINE 3330E O-0103

SERVICE / PARTS BILL OF MATERIAL

PLATE	ITEM	QTY	PART NO A	DESCRIPTION
0-0103	1	1	1100301	POWER TRAIN - DUAL FUEL ENGINE
	2	1	S27479	ENGINE - DUAL FUEL DRIVE PLATE KIT
	3	1	1100181	CALIPER - PARKING BRAKE
	4	12	192-21	WASHER - LOCK 3/8
	5	12	113-208	BOLT - 3/8 X 1.25 NC HEX
	6	1	1300092	TRANSMISSION ASSEMBLY
	7	1	1001300	TORQUE CONVERTER
	8	1	1001301	DIPSTICK
	9	1	1001302	DIPSTICK FILLER TUBE
	10	1	1001303	DIPSTICK TUBE SEAL & LOCKNUT
	11	1	1100230	PUMP - HYDRAULIC
	12	2	826-12035	BOLT - M12-1.75 X 35 HEX
	13	2	192-23	WASHER - LOCK 1/2
	14	1	S201620	CABLE - CHOKE
	15	1	1300090	BRACKET - ENGINE MOUNTING
	16	8	26-822	BOLT - 1/2 X 1.38 NC HEX GR 8
	17	8	192-23	WASHER - LOCK 1/2
	18	2	113-627	BOLT - 5/8 X 3.25 NC HEX
	19	2	1000002	GROMMET - RUBBER
	20	2	195-2262	WASHER - SNUBBING
	21	4	131-14	NUT - LOCK 5/8 NC
	22	1	1100018	PLATE - FRONT ENGINE MOUNTING
	23	2	826-12065	BOLT - M12-1.75 X 65 HEX
	24	2	192-23	WASHER - LOCK 1/2
	25	2	113-621	BOLT - 5/8 X 2.75 NC HEX
	26	1	1001562	OIL FILTER
	27	4	28-724	BOLT - 7/16 X 1.50 NF HEX GR 8
	28	4	129-530	NUT - 7/16 NF
	29	1	1001601	TAB
	30	1	1001602	ARM
	31	1	1001603	THROTTLE BRACKET
	32	1	1001604	THREADED ROD
	33	1	1001605	SPACER
	34	1	1001606	SPRING
	35	1	1001607	SPRING BRACKET
	36	2	A10329	BALL JOINT
	37	2	129-161	JAM NUT
	38	2	131-498	NUT, LOCK
	39	1	S64872	SHOULDER BOLT
	40	1	195-106	WASHER - FLAT 1/2
	41	1	1000068	BRACKET - LP TANK MTG
	42	1	217-1160	TEE - 1/8 NPT
	43	1	217-1079	NIPPLE - 1/8 NPT
	44	1	1000400	PARTS MANUAL (CONTINENTAL)

ITEMS MARKED WITH * SEE PARTS SUB PLATE FOR MORE DETAIL



REV: A RADIATOR, AIR CLEANER & PARTS - DIESEL ENG 3330E 0-0201

SERVICE / PARTS BILL OF MATERIAL

PLATE	ITEM	QTY	PART NO	A	DESCRIPTION
O-0201	1	1	1300009		RADIATOR, AIR CLEANER & PARTS - DIESEL
	2	1	S49610		RADIATOR
	3	4	113-207		VALVE - DRAIN
	4	4	192-21		BOLT - 3/8 X 1.00 NC HEX
	5	4	195-104		WASHER - LOCK 3/8
	6	4	113-233		WASHER - FLAT 3/8 (.438-1.000)
	7	4	195-104		BOLT - 3/8 X 1.75 NC HEX
	8	4	D52276		WASHER - FLAT 3/8 (.438-1.000)
	9	4	195-525		GROMMET - RADIATOR MOUNTING
	10	4	131-52		WASHER - FLAT 3/8 (.406-.812)
	11	6	113-1		NUT - LOCK 3/8 NC
	12	6	192-19		BOLT - 1/4 X 0.50 NC HEX
	13	6	195-518		WASHER - LOCK 1/4
	14	1	1200074		WASHER - FLAT 1/4 (.281-.625)
	15	1	1200073		BRACKET - RADIATOR MOUNTING RIGHT
	16	4	131-203		BRACKET - RADIATOR MOUNTING LEFT
	17	4	195-525		NUT - LOCK 3/8 NC THIN
	18	1	D25826		WASHER - FLAT 3/8 (.406-.812)
	21	1	1000106		CAP - RADIATOR
	22	1	1100079	*	AIR CLEANER ASSEMBLY
	23	1	1000181		SHROUD - RADIATOR (DIESEL)
	24	2	214-356		HOSE - RADIATOR (LOWER)
	25	1	1000052		CLAMP - HOSE, RMT #68 (3.31-3.00)
	26	2	214-259		HOSE - RADIATOR (UPPER)
	27	1	1100046		CLAMP - HOSE, SAE #32 (2.50-1.56)
	28	1	S66853-010		CAP - RUBBER 1.75 DIA
	29	4	113-102		HOSE - AIR CLEANER
	31	4	131-69		BOLT - 5/16 X 0.75 NC HEX
	32	1	1200075		NUT - LOCK 5/16 NC
	33	3	214-260		BRACKET - AIR CLEANER MOUNTING (DIESEL)
					CLAMP - HOSE, SAE #36 (2.75-1.81)

REV BON CHANGE

A

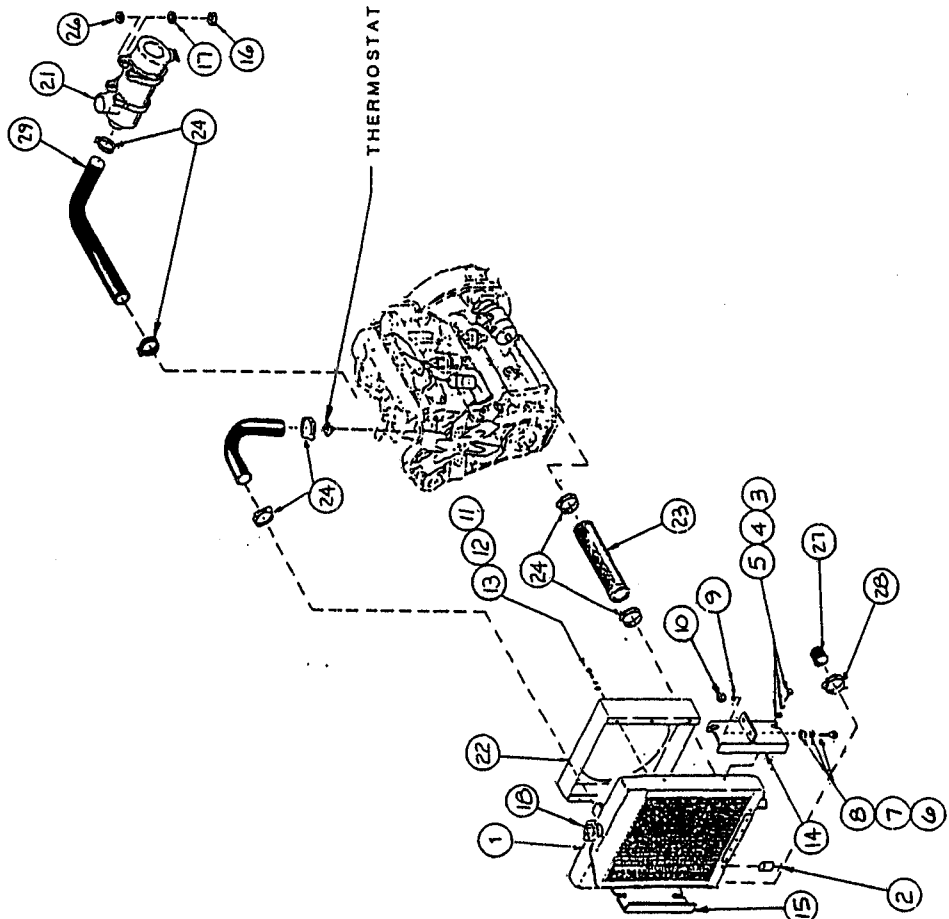
ITEMS MARKED WITH * SEE PARTS SUB PLATE FOR MORE DETAIL

REV: B RADIATOR, AIR CLEANER & PARTS - GAS & DUAL FUEL ENG 0-0202

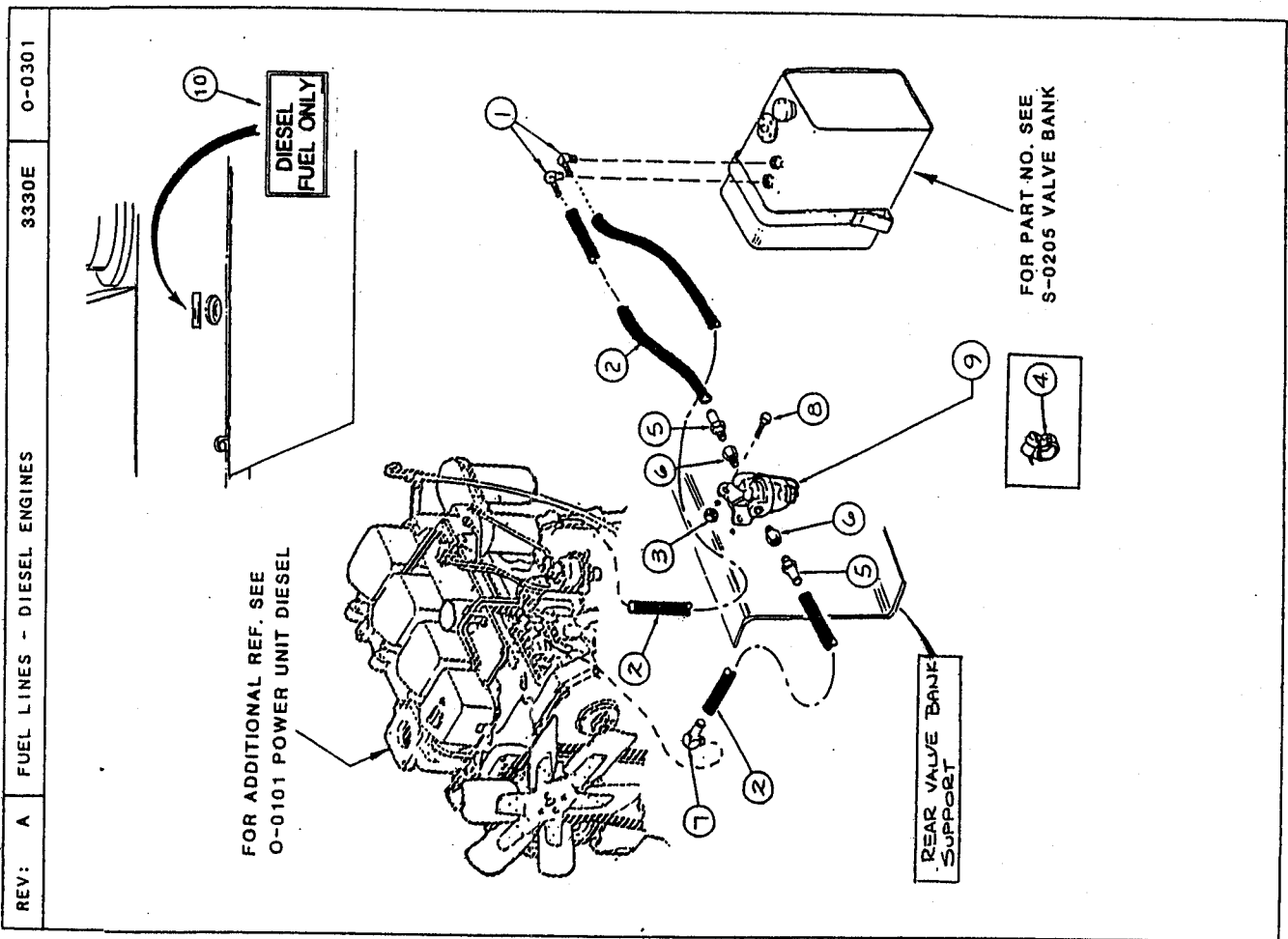
3330E

SERVICE / PARTS BILL OF MATERIAL

PLATE	ITEM	QTY	PART NO	A	DESCRIPTION	REV	BON CHANGE
0-0202	1	1	1300009		RADIATOR & AIR CLEANER - GAS & DUAL FUEL	B	
	2	1	S49610		RADIATOR		
	3	4	113-207		VALVE - DRAIN		
	4	4	192-21		BOLT - 3/8 X 1.00 NC HEX		
	5	4	195-104		WASHER - LOCK 3/8		
	6	4	113-233		WASHER - FLAT 3/8 (-.438-1.000)		
	7	4	195-104		BOLT - 3/8 X 1.75 NC HEX		
	8	4	D52276		WASHER - FLAT 3/8 (-.438-1.000)		
	9	4	195-525		GROMMET - RADIATOR MOUNTING		
	10	4	131-52		WASHER - FLAT 3/8 (-.406-.812)		
	11	6	113-1		NUT - LOCK 3/8 NC		
	12	6	192-19		BOLT - 1/4 X 0.50 NC HEX		
	13	6	195-518		WASHER - LOCK 1/4		
	14	1	1200074		WASHER - FLAT 1/4 (-.281-.625)		
	15	1	1200073		BRACKET - RADIATOR MOUNTING RIGHT		
	16	4	131-203		BRACKET - RADIATOR MOUNTING LEFT		
	17	4	195-525		NUT - LOCK 3/8 NC THIN		
	18	1	D25826		WASHER - FLAT 3/8 (-.406-.812)		
	21	1	1000114	*	CAP - RADIATOR		
	22	1	1000178		ATR CLEANER ASSEMBLY		
	23	1	1000182		SHROUD - RADIATOR (GAS)		
	24	6	214-259		HOSE - RADIATOR (LOWER)		
	25	1	1000143		CLAMP - HOSE, SAE #32 (2.50-1.56)		
	26	4	195-525		HOSE - RADIATOR (UPPER)		
	27	1	1100045		WASHER - FLAT 3/8 (-.406-.812)		
	28	1	214-262		CAP - RUBBER 2.38 DIA		
	29	1	1001619		CLAMP - HOSE, SAE #44 (3.25-3.21)		
					HOSE - AIR CLEANER		



ITEMS MARKED WITH * SEE PARTS SUB PLATE FOR MORE DETAIL



REV: A FUEL LINES - DIESEL ENGINES 3330E O-0301

SERVICE / PARTS BILL OF MATERIAL

PLATE	ITEM	QTY	PART NO	A
O-0301	1	2	217-292	A
	2	1	1000138	
	3	2	131-69	
	4	6	214-274	
	5	2	217-120	
	6	2	222-743	
	7	1	217-294	
	8	2	113-103	
	9	1	1000981	
	10	1	1001127	

DESCRIPTION

FUEL LINES - DIESEL
 ELBOW - 1/4 X 1/8 (90 DEG) NPTF BARB HOSE
 STEM
 HOSE - FUEL 1/4
 NUT - LOCK 5/16 NC
 CLAMP - HOSE, SAE #4 (0.62-0.26)
 CONNECTOR - 1/4 STR BARB HOSE STEM, BRASS
 CONNECTOR
 ELBOW - 1/4 (90 DEG) NPTF BARB HOSE STEM
 BOLT - 5/16 X 1.00 NC HEX
 BOWL - FUEL SEDIMENT
 DECAL - DIESEL FUEL

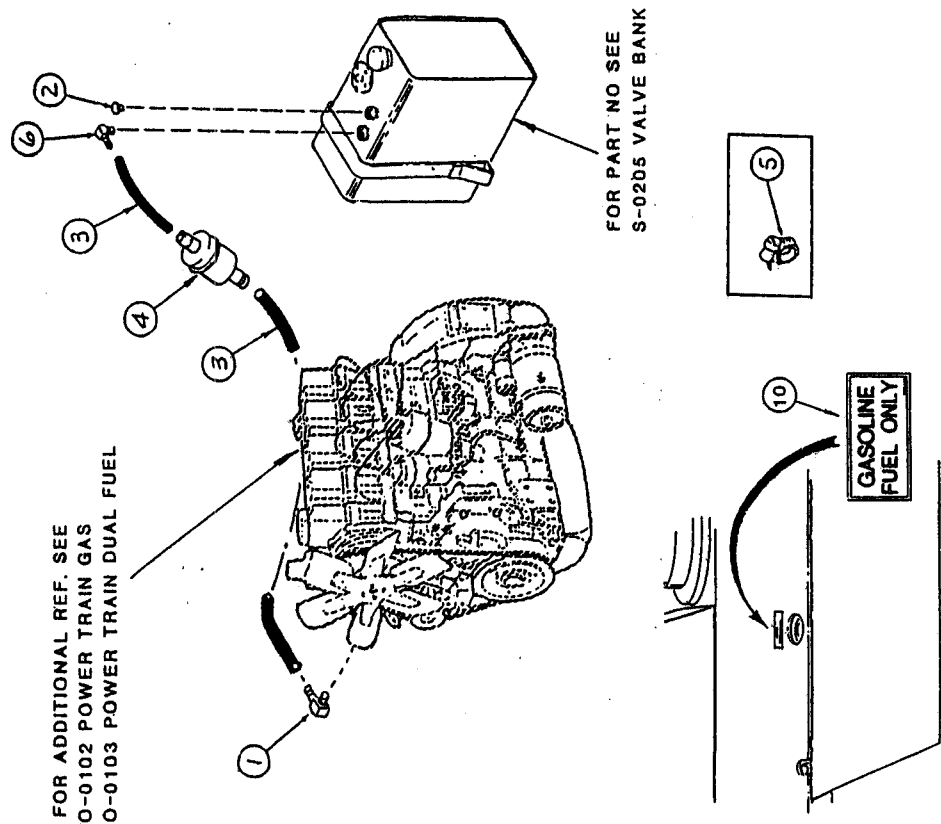
REV BON CHANGE
A

ITEMS MARKED WITH * SEE PARTS SUB PLATE FOR MORE DETAIL

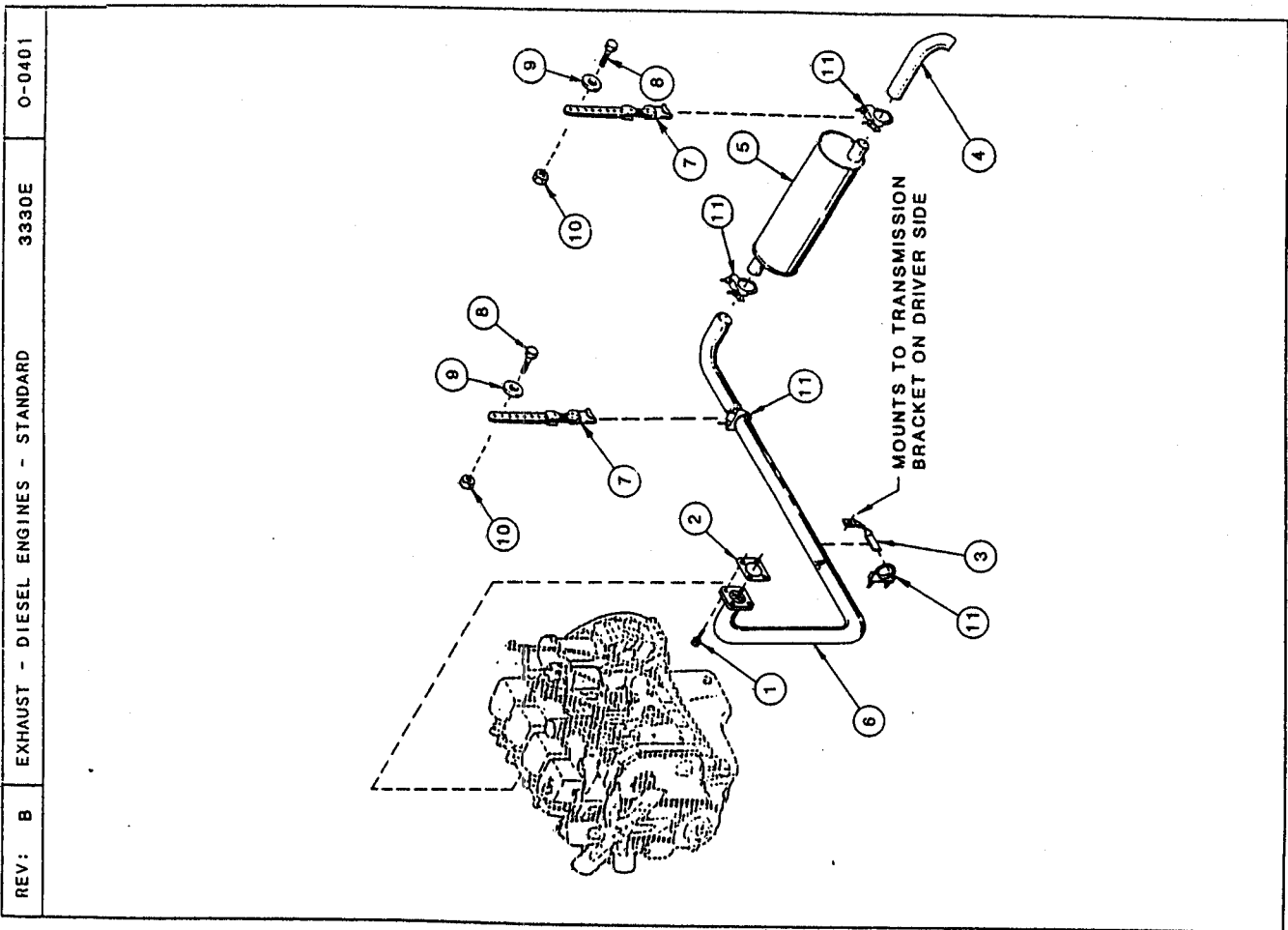
SERVICE / PARTS BILL OF MATERIAL

PLATE	ITEM	QTY	PART NO	DESCRIPTION	REV	BON CHANGE
O-0302	1	1	217-292	FUEL LINES - GAS & DUAL FUEL	A	
	2	1	221-661	ELBOW - 1/4 X 1/8 (90 DEG) NPTF BARB HOSE		
	3	1	1000139	STEM		
	4	1	L79756	PLUG - PIPE 1/8 NPT		
	5	4	214-274	HOSE - FUEL 1/4		
	6	1	217-292	FILTER - FUEL		
	10	1	1001128	CLAMP - HOSE, SAE #4 (0.62-0.26)		
				ELBOW - 1/4 X 1/8 (90 DEG) NPTF BARB HOSE		
				STEM		
				DECAL - GASOLINE FUEL		

FOR ADDITIONAL REF. SEE
 O-0102 POWER TRAIN GAS
 O-0103 POWER TRAIN DUAL FUEL



ITEMS MARKED WITH * SEE PARTS SUB PLATE FOR MORE DETAIL



REV: B EXHAUST - DIESEL ENGINES - STANDARD 3330E 0-0401

SERVICE / PARTS BILL OF MATERIAL

PLATE	ITEM	QTY	PART NO	A	DESCRIPTION	REV	BON CHANGE
0-0401	1	4	814-10025		EXHAUST - DIESEL ENGINES - STANDARD	B	
	2	1	1000179		BOLT - M10-1.50 X 50		
	3	1	1100270		GASKET - EXHAUST		
	4	1	1001295SS		BRACKET - PIPE		
	5	1	1001295SS		TAILPIPE-STNL STL		
	6	1	1001295		TAILPIPE		
	7	1	1100269SS		MUFFLER-STNL STL		
	8	1	1100269SS		MUFFLER		
	9	1	1100268SS		PIPE - EXHAUST-STNL STL		
	10	2	1100268		PIPE - EXHAUST		
	11	2	5119032		HANGER - PIPE		
	12	2	113-103		PIPE - EXHAUST		
	13	2	195-521		BOLT - 5/16 X 1.00 NC HEX		
	14	2	131-69		WASHER - FLAT 5/16 (.344-.688)		
	15	4	A27077		NUT - LOCK 5/16 NC		
	16	4			CLAMP - MUFFLER 2.25" (SADDLE TYPE)		

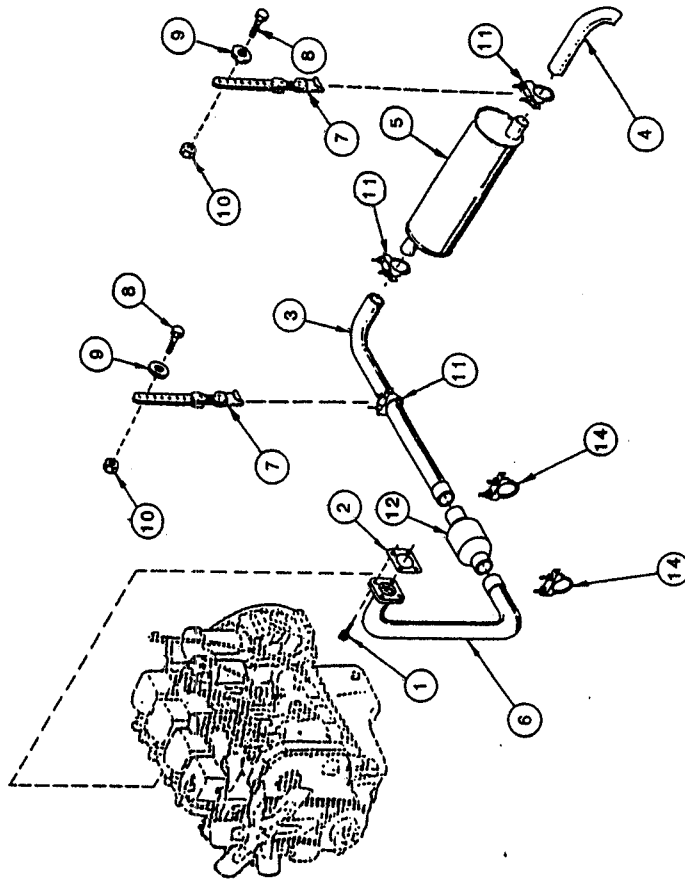
ITEMS MARKED WITH * SEE PARTS SUB PLATE FOR MORE DETAIL

02/07/9

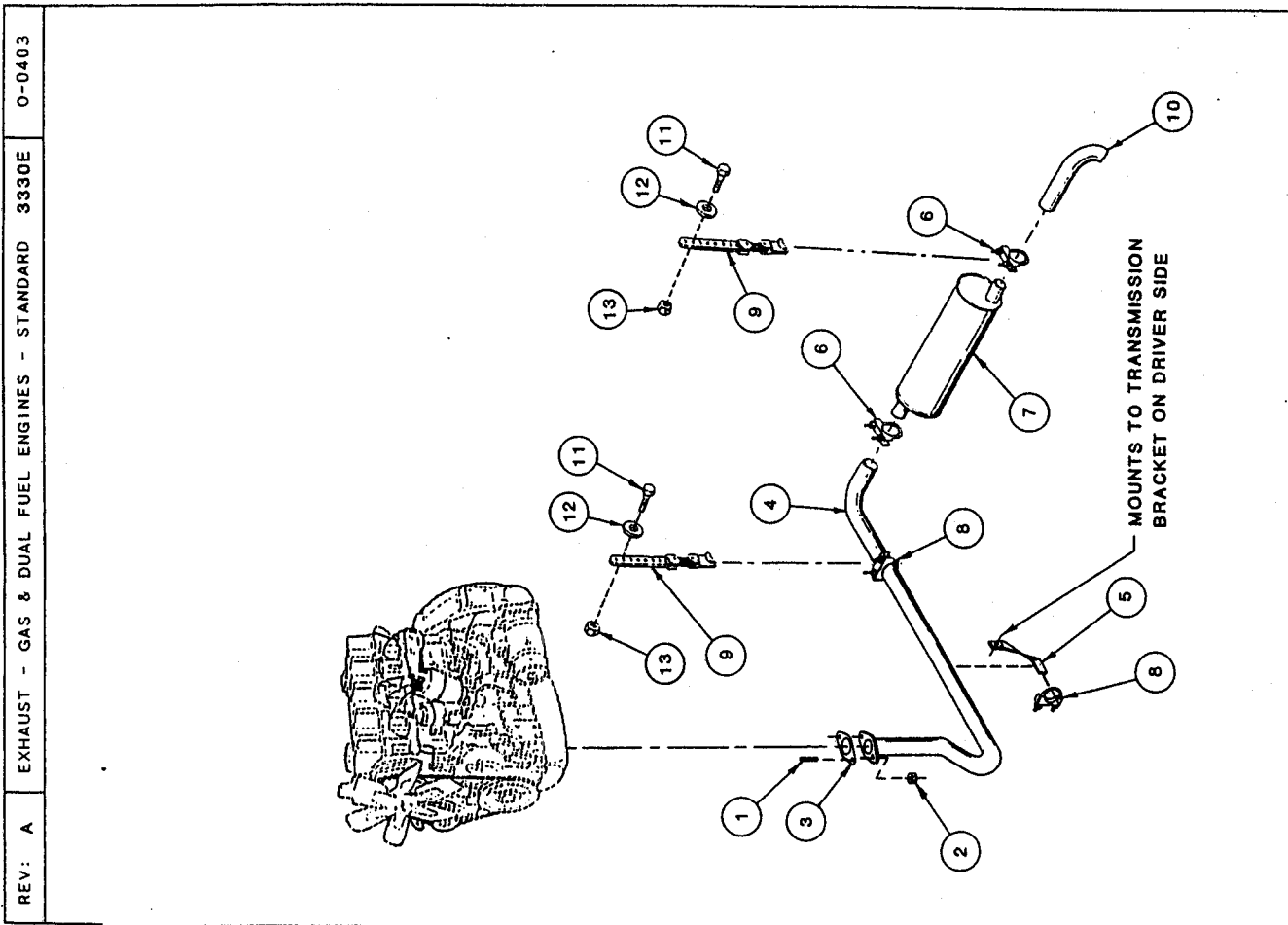
REV: B EXHAUST - DIESEL ENGINES - W/ CATALYTIC CONVERTER O-0402

SERVICE / PARTS BILL OF MATERIAL

PLATE	ITEM	QTY	PART NO	A	DESCRIPTION	REV	BON CHANGE
0-0402					EXHAUST - DIESEL ENGINE - W/CATALYTIC CONVERTER	B	
	1	4	814-10025		BOLT - M10-1.50 X 50		
	2	1	1000179		GASKET - EXHAUST		
	3	1	1100304		PIPE - EXHAUST		
	4	1	1001295		TAILPIPE		
	5	1	1100269		MUFFLER		
	6	1	1100303		PIPE - EXHAUST		
	7	2	S119032		HANGER - PIPE		
	8	2	113-103		BOLT - 5/16 X 1.00 NC HEX.		
	9	2	195-521		WASHER - FLAT 5/16 (.344-.688)		
	10	2	131-69		NUT - LOCK 5/16 NC		
	11	3	A27077		CLAMP - MUFFLER 2.25" (SADDLE TYPE)		
	12	1	1100041		PURIFIER, DIESEL		
	14	2	1000022		CLAMP - MUFFLER 2.50" (SADDLE TYPE)		



ITEMS MARKED WITH * SEE PARTS SUB PLATE FOR MORE DETAIL



REV: A EXHAUST - GAS & DUAL FUEL ENGINES - STANDARD 3330E O-0403

SERVICE / PARTS BILL OF MATERIAL

PLATE	ITEM	QTY	PART NO	A	DESCRIPTION	REV	BON CHANGE
O-0403					EXHAUST - GAS & DUAL FUEL ENGINES - STANDARD		A

1	2	814-10035	STUD - M10-1.50 X 39
2	2	825-1010	NUT - M10-1.50 HEX
3	1	1000180	GASKET - EXHAUST
4	1	1100305	EXHAUST PIPE
5	1	1100306	BRACKET
6	2	A27077	CLAMP - MUFFLER 2.25" (SADDLE TYPE)
7	1	1100269	MUFFLER
8	2	1000989	CLAMP - MUFFLER 2" (SADDLE TYPE)
9	2	S119032	HANGER - PIPE
10	1	1001295	TAIL PIPE
11	2	113-103	BOLT - 5/16 X 1.00 NC HEX
12	2	195-521	WASHER - FLAT 5/16 (.344-.688)
13	2	131-69	NUT - LOCK 5/16 NC

ITEMS MARKED WITH * SEE PARTS SUB PLATE FOR MORE DETAIL

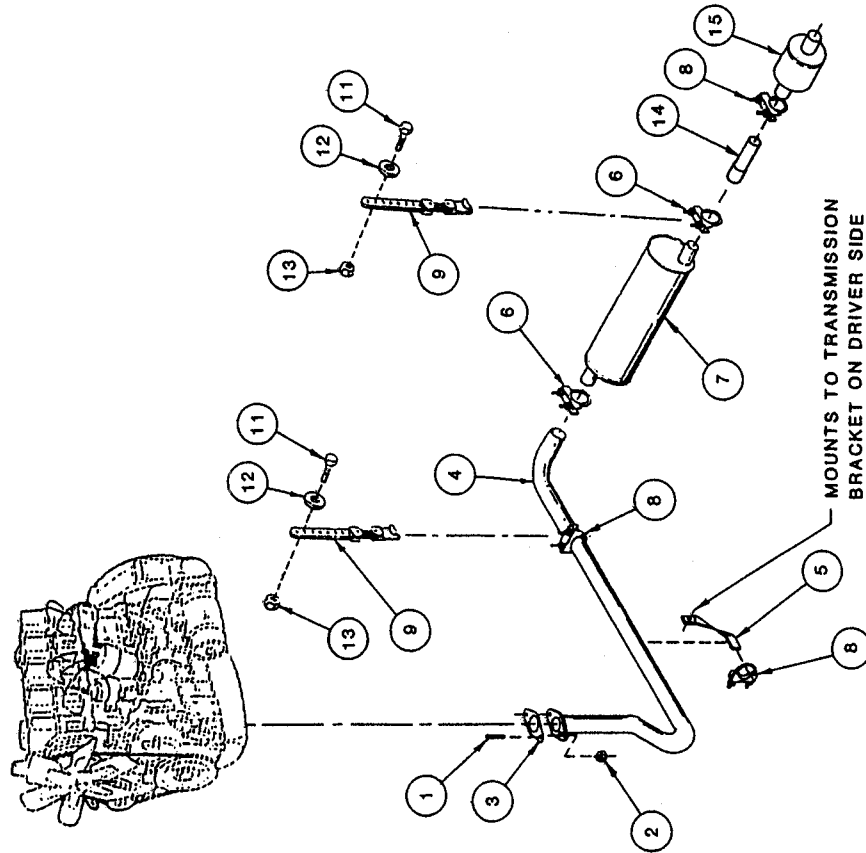
REV: A EXHAUST - GAS & DUAL FUEL ENG - W/SPARK ARRESTOR O-0404

3330E

SERVICE / PARTS BILL OF MATERIAL

PLATE	ITEM	QTY	PART NO	A	DESCRIPTION	REV	BON CHANGE
O-0404					EXHAUST - GAS & DUAL FUEL ENG - W/ SPARK ARR.		A

1	2	814-10035			STUD - M10-1.50 X 39		
2	2	825-1010			NUT - M10-1.50 HEX		
3	1	1000180			GASKET - EXHAUST		
4	1	1100305			EXHAUST PIPE		
5	1	1100306			BRACKET		
6	2	A27077			CLAMP - MUFFLER 2.25" (SADDLE TYPE)		
7	1	1100269			MUFFLER		
8	3	1000989			CLAMP - MUFFLER 2" (SADDLE TYPE)		
9	2	S119032			HANGER - PIPE		
11	2	113-103			BOLT - 5/16 X 1.00 NC HEX		
12	2	195-521			WASHER - FLAT 5/16 (.344-.688)		
13	2	131-69			NUT - LOCK 5/16 NC		
14	1	1001587			PIPE, EXHAUST		
15	1	A135428			ARRESTOR - SPARK		



ITEMS MARKED WITH * SEE PARTS SUB PLATE FOR MORE DETAIL

REV: A

WIRING HARNESS - DIESEL

3330E

O-0601

FOR INDENTED ITEMS
SEE REF. DRAWING
1300098

SERVICE / PARTS BILL OF MATERIAL

PLATE O-0601

ITEM	QTY	PART NO	DESCRIPTION
1	1	1300128	WIRING HARNESS - DIESEL
2	1	221-1326	..HARNESS - ENGINE WIRING
3	2	R14668	COUPLING - 1/8 NPT
4	1	S108398	CLAMP - HARNESS
5	1	217-1079	SENDING UNIT - OIL PRESSURE
6	1	S63884	NIPPLE - 1/8 NPT
7	1	1001293	SWITCH - OIL PRESSURE
8	1	S100895	CABLE - BATTERY GROUND
9	1	1001292	..BATTERY - 12V, 90A
10	2	825-1005	CABLE - BATTERY TO STARTER
11	1	F22316	NUT - M5 X 0.80 HEX
12	1	221-1089	..RESISTOR
13	1	S108396	BUSHING - REDUCER 1/2 - 3/8 NPT
14	1	S48790	SENDING UNIT - WATER TEMPERATURE
15	3	1000405	STRAP - GROUND
17	2	S402776	CLAMP - DOUBLE 3/8
18	1	1001099	BOLT - BATTERY HOLD DOWN
19	2	192-18	BRACKET - BATTERY HOLD DOWN WASHER - LOCK 3/16

REV BON CHANGE

A

ITEMS MARKED WITH * SEE PARTS SUB PLATE FOR MORE DETAIL

02/10/94

REV: A

WIRING HARNESS - GAS & DUAL FUEL

3330E

O-0602

SERVICE / PARTS BILL OF MATERIAL

PLATE	ITEM	QTY	PART NO	A	DESCRIPTION	REV	BON CHANGE
0-0602	1	1	1300129	A	WIRING HARNESS, GAS & DUAL FUEL		A
	2	1	217-1160		HARNESS - ENGINE WIRING		
	3	2	R14668		TEE - 1/8 NPT		
	4	1	S108398		CLAMP - HARNESS		
	5	1	217-1079		SENDING UNIT - OIL PRESSURE		
	6	1	S63884		NIPPLE - 1/8 NPT		
	7	1	1001293		SWITCH - OIL PRESSURE		
	8	1	S100895		CABLE - BATTERY GROUND		
	9	1	1001292		..BATTERY - 12V, 90A		
	10	1	813-8016		CABLE - BATTERY TO STARTER		
	12	1	221-1089		BOLT - M8-1.75 X 16 HEX		
	13	1	S108396		BUSHING - REDUCER 1/2 - 3/8 NPT		
	14	1	S48790		SENDING UNIT - WATER TEMPERATURE		
	15	3	1000405		STRAP - GROUND		
	17	2	S402776		CLAMP - DOUBLE 3/8		
	18	1	1001099		BOLT - BATTERY HOLD DOWN		
					BRACKET - BATTERY HOLD DOWN		

FOR INDENTED ITEMS
SEE REF. DRAWING

1300099

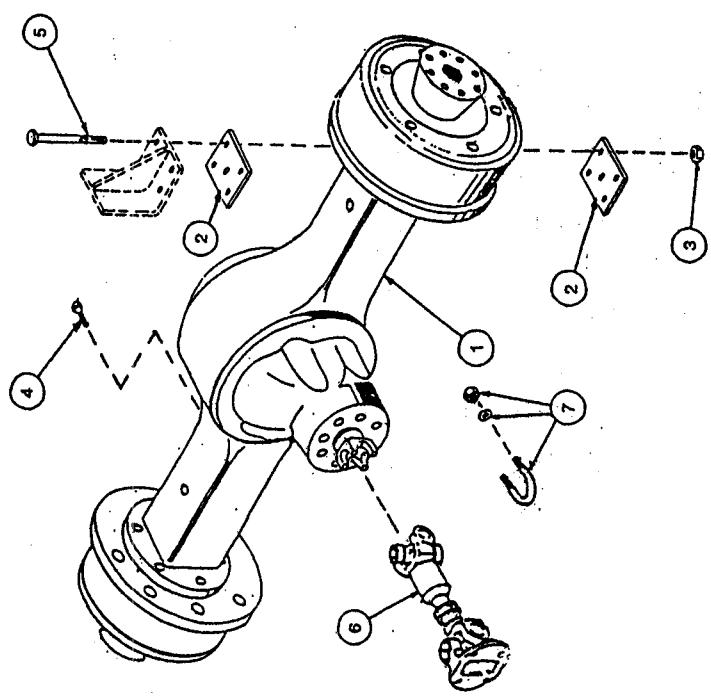
ITEMS MARKED WITH * SEE PARTS SUB PLATE FOR MORE DETAIL

05/05/9

REV: A DRIVE AXLE (ROCKWELL NO SPIN) - 2 WHL STEER 3330E O-0701

SERVICE / PARTS BILL OF MATERIAL

PLATE	ITEM	QTY	PART NO	A	DESCRIPTION	REV	SON CHANGE
O-0701					DRIVE AXLE (ROCKWELL NO-SPIN) - 2 WHL STEER		A
	1	1	1300002	*	AXLE - DRIVE (ROCKWELL)		
	2	4	1100066		PLATE		
	3	8	129-571		NUT - 3/4 NC (HEAVY)		
	4	2	114-308		BOLT - 7/16 X 0.75 NF HEX		
	5	8	26-12128		BOLT - 3/4 X 8.00 NC HEX GR 8		
	6	1	1200127	*	DRIVE SHAFT ASSEMBLY		
	7	1	S80602		U-BOLT ASSEMBLY (PAIR)		



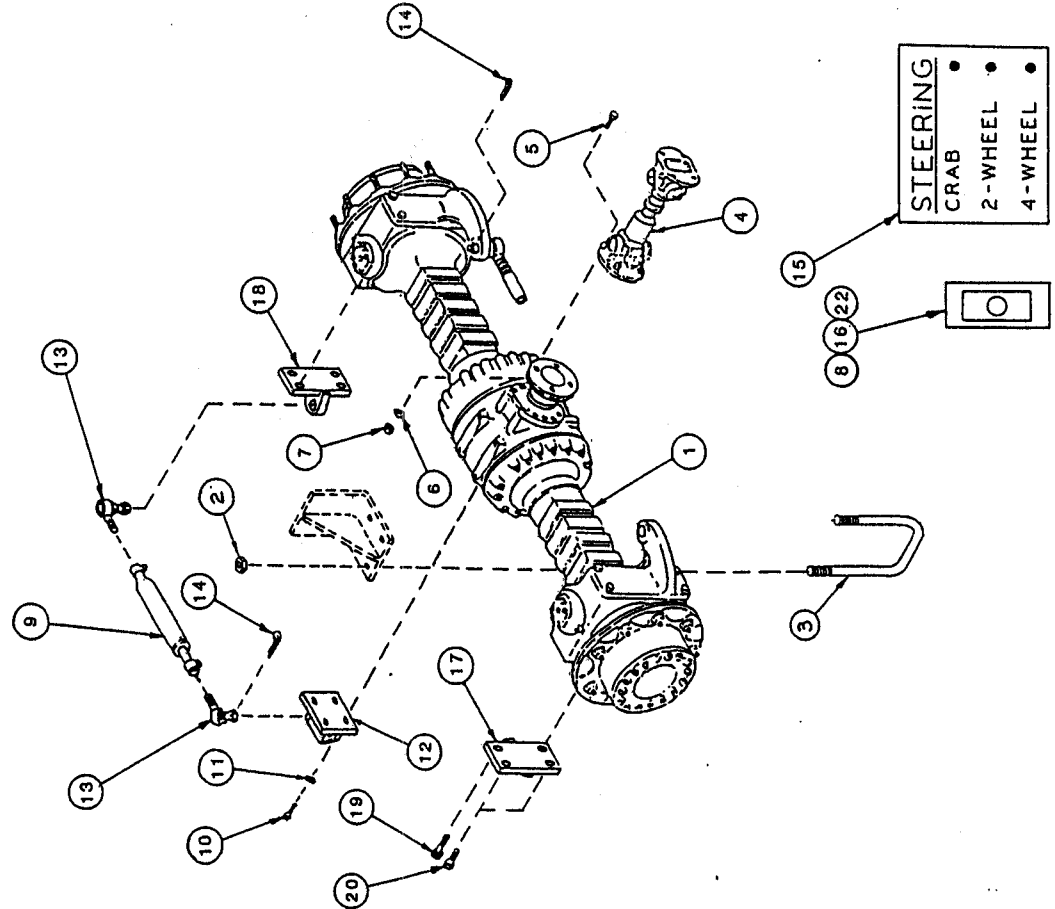
ITEMS MARKED WITH * SEE PARTS SUB PLATE FOR MORE DETAIL

SERVICE / PARTS BILL OF MATERIAL

PLATE ITEM QTY PART NO A
 0-0702

PLATE	ITEM	QTY	PART NO	A	DESCRIPTION	REV	BON CHANGE
	1	1	1300024	*	DRIVE-STEER AXLE (HURTH NO-SPIN) - 4 WHL STEER		C
	2	8	129-571	*	AXLE - DRIVE/STEER (HURTH)		
	3	4	1000411	*	NUT - 3/4 NC (HEAVY)		
	4	1	1200174	*	BOLT - U FLAT		
	5	4	28-724	*	DRIVE SHAFT ASSEMBLY		
	6	4	192-22	*	BOLT - 7/16 X 1.50 NF HEX GR 8		
	7	4	129-530	*	WASHER - LOCK 7/16		
	8	4	129-530	*	NUT - 7/16 NF		
	9	1	1000401	*	RING - LOCKING		
	10	2	1200030	*	CYLINDER - STEERING		
	11	4	814-16045	*	BOLT - M16-2.00 X 44 HEX		
	12	1	1100087	*	WASHER - LOCK 5/8		
	13	4	1100063	*	BRACKET - STEER CYLINDER MOUNTING		
	14	6	132-77	*	PIN - COTTER 5/32 X 2.00		
	15	1	1000376	*	DECAL - STEERING		
	16	1	1000366	*	SWITCH - 4 WHEEL STEER		
	17	1	1200058	*	LEVER - STEER, LEFT		
	18	1	1200059	*	LEVER - STEER, RIGHT		
	19	2	864-16030	*	BOLT - M16-2.00 X 30 HEX SOCKET HD		
	20	6	814-16040	*	BOLT - M16-2.00 X 40 HEX		
	21	1	1000416	*	WIRE ASSEMBLY - VALVE GROUND		
	22	1	1000371	*	BOOT - RUBBER SWITCH		

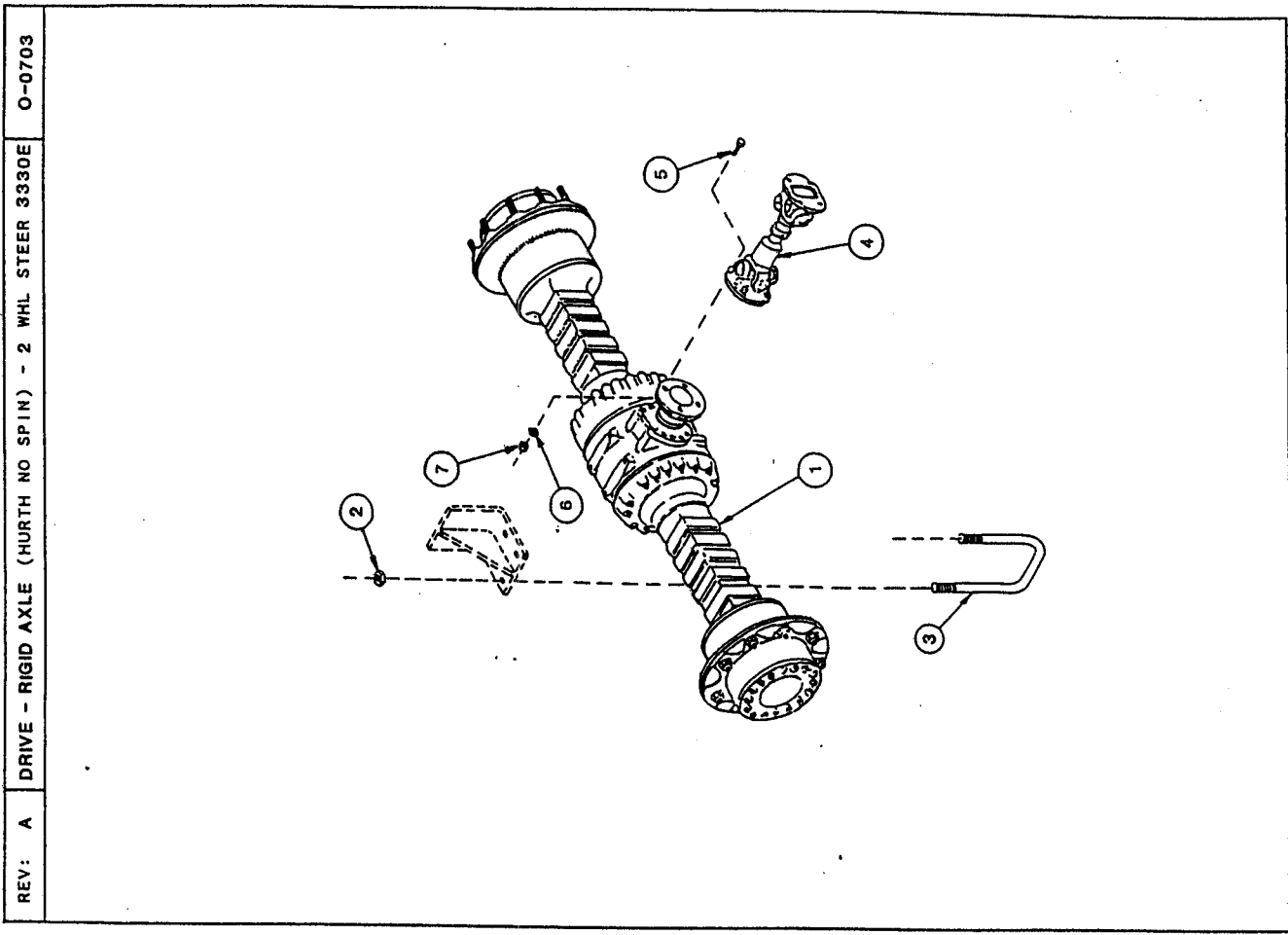
AFTER 304
 BEFORE 305



STEERING
 CRAB ●
 2-WHEEL ●
 4-WHEEL ●

(PLACE IN CAB)

ITEMS MARKED WITH * SEE PARTS SUB PLATE FOR MORE DETAIL

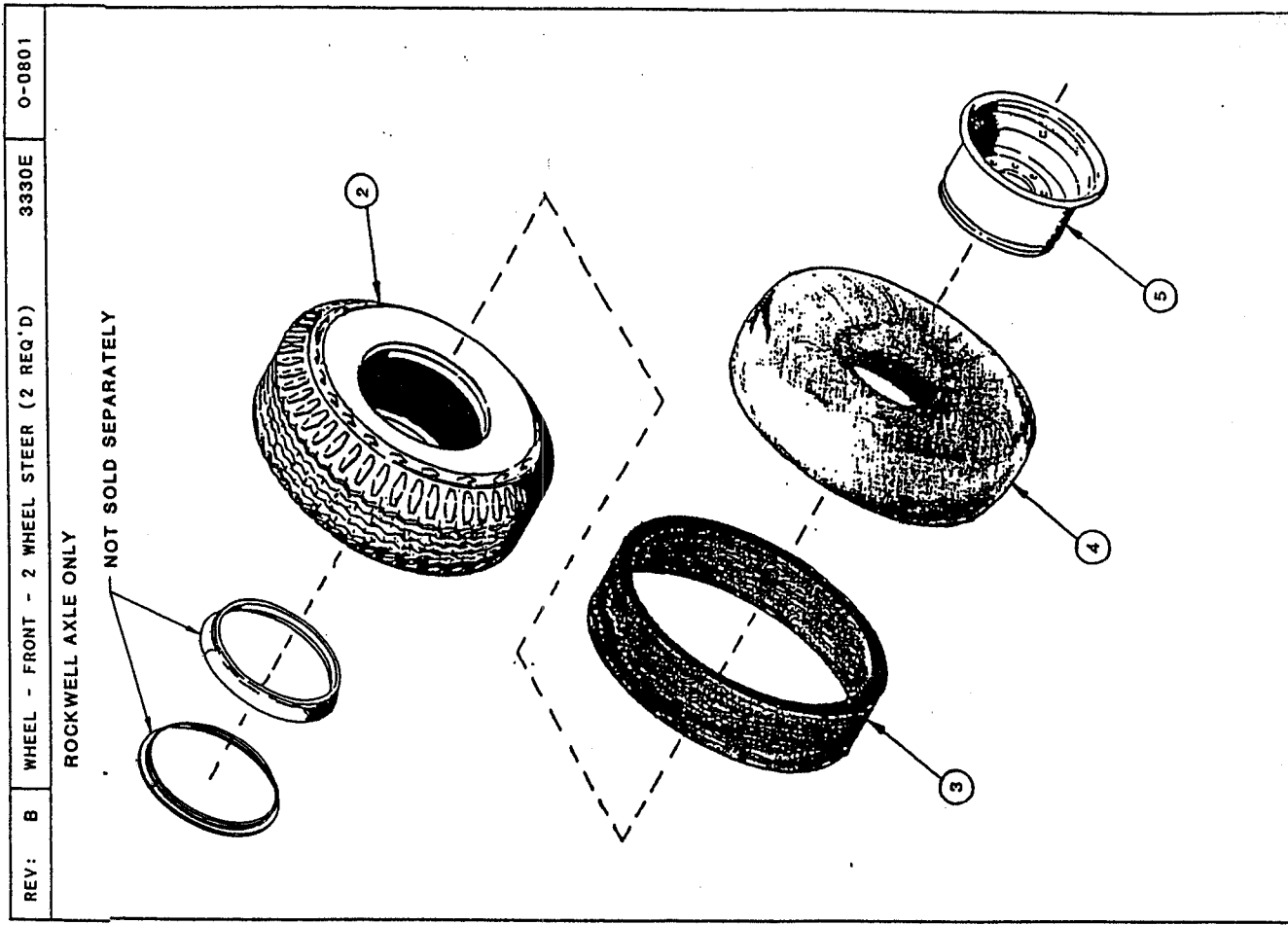


REV: A DRIVE - RIGID AXLE (HURTH NO SPIN) - 2 WHL STEER 3330E O-0703

SERVICE / PARTS BILL OF MATERIAL

PLATE	ITEM	QTY	PART NO	A	DESCRIPTION	REV	BON CHANGE
0-0703				A	DRIVE-RIGID AXLE (HURTH NO-SPIN) - 2 WHL STEER		A
	1	1	1300141		AXLE - DRIVE/RIGID (HURTH)		
	2	8	129-571		NUT - 3/4 NC (HEAVY)		
	3	4	1000411		BOLT - U FLAT		
	4	1	1200174	*	DRIVE SHAFT ASSEMBLY		
	5	4	28-724		BOLT - 7/16 X 1.50 NF HEX GR 8		
	6	4	192-22		WASHER - LOCK 7/16		
	7	4	129-530		NUT - 7/16 NF		

ITEMS MARKED WITH * SEE PARTS SUB PLATE FOR MORE DETAIL



REV: B WHEEL - FRONT - 2 WHEEL STEER (2 REQ'D) 3330E 0-0801

ROCKWELL AXLE ONLY

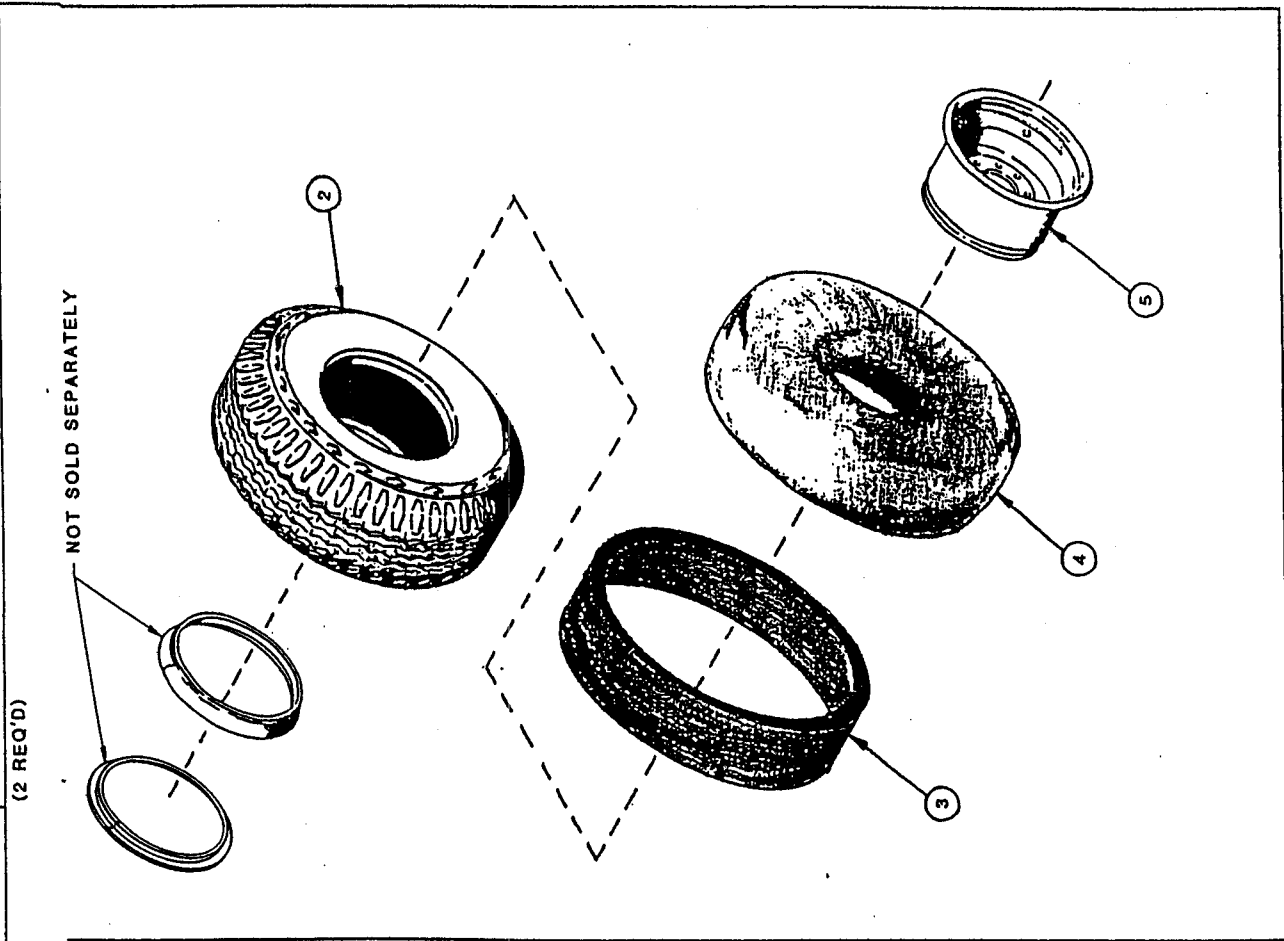
NOT SOLD SEPARATELY

SERVICE / PARTS BILL OF MATERIAL

PLATE	ITEM	QTY	PART NO	DESCRIPTION	REV	BON CHANGE
0-0801				WHEEL - FRONT - 2 WHL STEER (2 REQ'D)	B	
	2	1	S27630	-ROCKWELL AXLE ONLY		
	3	1	S48964	TIRE - 10.00 X 15 - 12PLY (PURCH. LOCALLY)		
	4	1	S48962	FLAP - 10.00 X 15 (PURCH. LOCALLY)		
	5	1	S51553M1	TUBE - 10.00 X 15 (PURCH. LOCALLY)		
				RIM - FRONT		

ITEMS MARKED WITH * SEE PARTS SUB PLATE FOR MORE DETAIL

REV: B WHEEL - FRONT - 2 OR 4 WHEEL STEER HURTH 3330E 0-0802



SERVICE / PARTS BILL OF MATERIAL

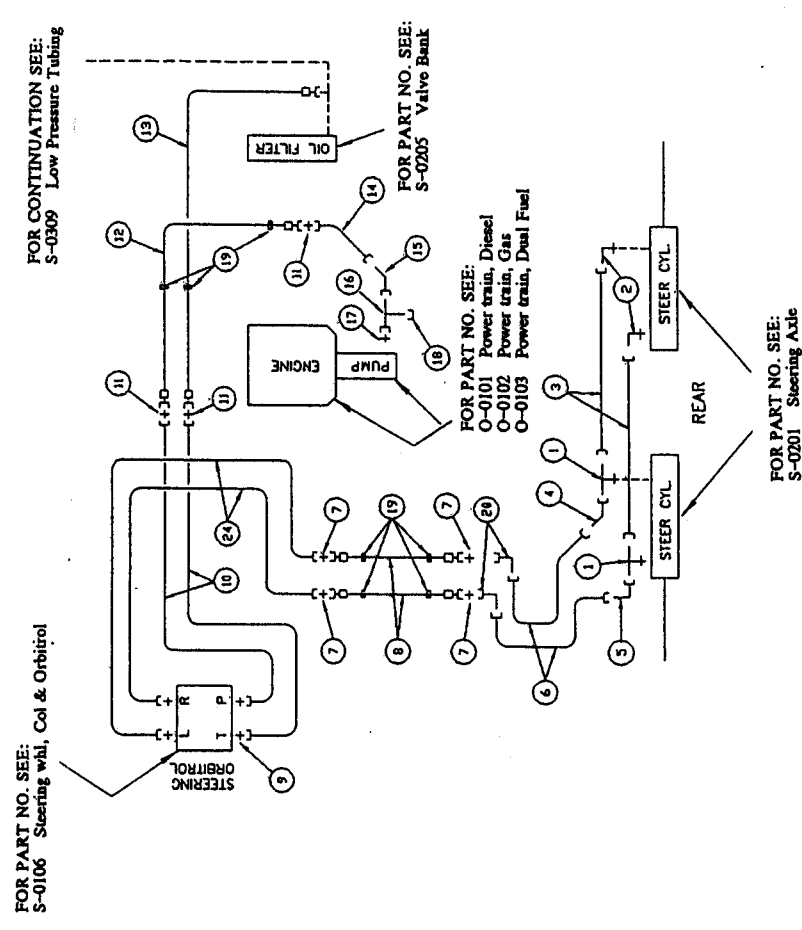
PLATE	ITEM	QTY	PART NO	A	DESCRIPTION	REV	BON CHANGE
0-0802					WHEEL - FRONT - 2 OR 4 WHL STEER HURTH	B	
	2	1	S27630		(2 REQ'D)		
	3	1	S48964		TIRE - 10.00 X 15 - 12PLY (PURCH. LOCALLY)		
	4	1	S48962		FLAP - 10.00 X 15 (PURCH. LOCALLY)		
	5	1	1200032M1		TUBE - 10.00 X 15 (PURCH. LOCALLY)		
					RIM - FRONT		

ITEMS MARKED WITH * SEE PARTS SUB PLATE FOR MORE DETAIL

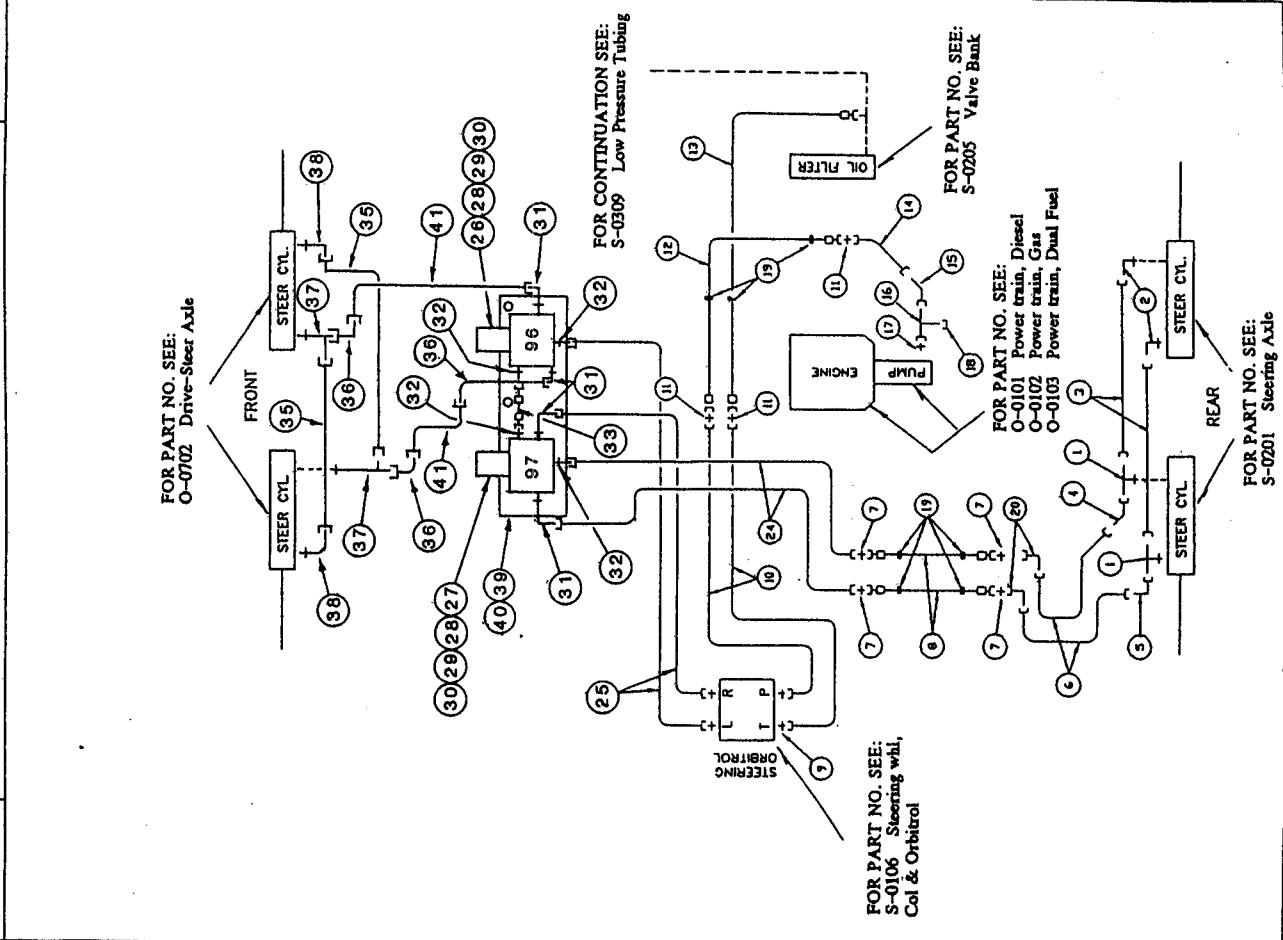
02/16/91

SERVICE / PARTS BILL OF MATERIAL

PLATE	ITEM	QTY	PART NO	A	DESCRIPTION	REV	BON CHANGE
0-0901	1	2	218-5182		TUBING, STEERING - 2 WHL STEER		
	2	2	218-5105		TEE - 3/8 STR THD O-RING BRANCH		
	3	2	1000406		HOSE - 3/8 (90 DEG) STR THD O-RING		
	4	1	218-5172		HOSE - HYD 3/8 X 21		
	5	1	218-980		ELBOW - 3/8 (45 DEG) SWIVEL NUT		
	6	2	1000407		ELBOW - 3/8 (90 DEG) SWIVEL NUT		
	7	4	218-851		HOSE - HYD 3/8 X 14		
	8	2	1600044		UNION - 1/2 X 3/8 REDUCING		
	9	4	218-5058		TUBE ASSEMBLY		
	10	2	1000398		CONNECTOR - 3/8 X 1/2 STR THD O-RING		
	11	3	218-851		HOSE - HYD 3/8 X 38		
	12	1	1600043		UNION - 1/2 X 3/8 REDUCING		
	13	1	1600048		TUBE ASSEMBLY		
	14	1	1000409		TUBE ASSEMBLY		
	15	1	218-980		HOSE - HYD 3/8 X 24		
	16	1	218-5172		ELBOW - 3/8 (90 DEG) SWIV. (GAS/DUAL FUEL)		
	17	1	218-5222		ELBOW - 3/8 (45 DEG) SWIV. (DIESEL)		
	18	1	218-5058		TEE - 3/8 SWIVEL NUT RUN		
	19	7	S97489		CONNECTOR - 1/2 X 3/8 STR THD O-RING		
	20	2	218-980		CAP - 3/8 NUT		
	24	2	1000398		CLAMP ASSEMBLY 1/2		
					ELBOW - 3/8 (90 DEG) SWIVEL NUT		
					HOSE - HYD 3/8 X 38		



ITEMS MARKED WITH * SEE PARTS SUB PLATE FOR MORE DETAIL

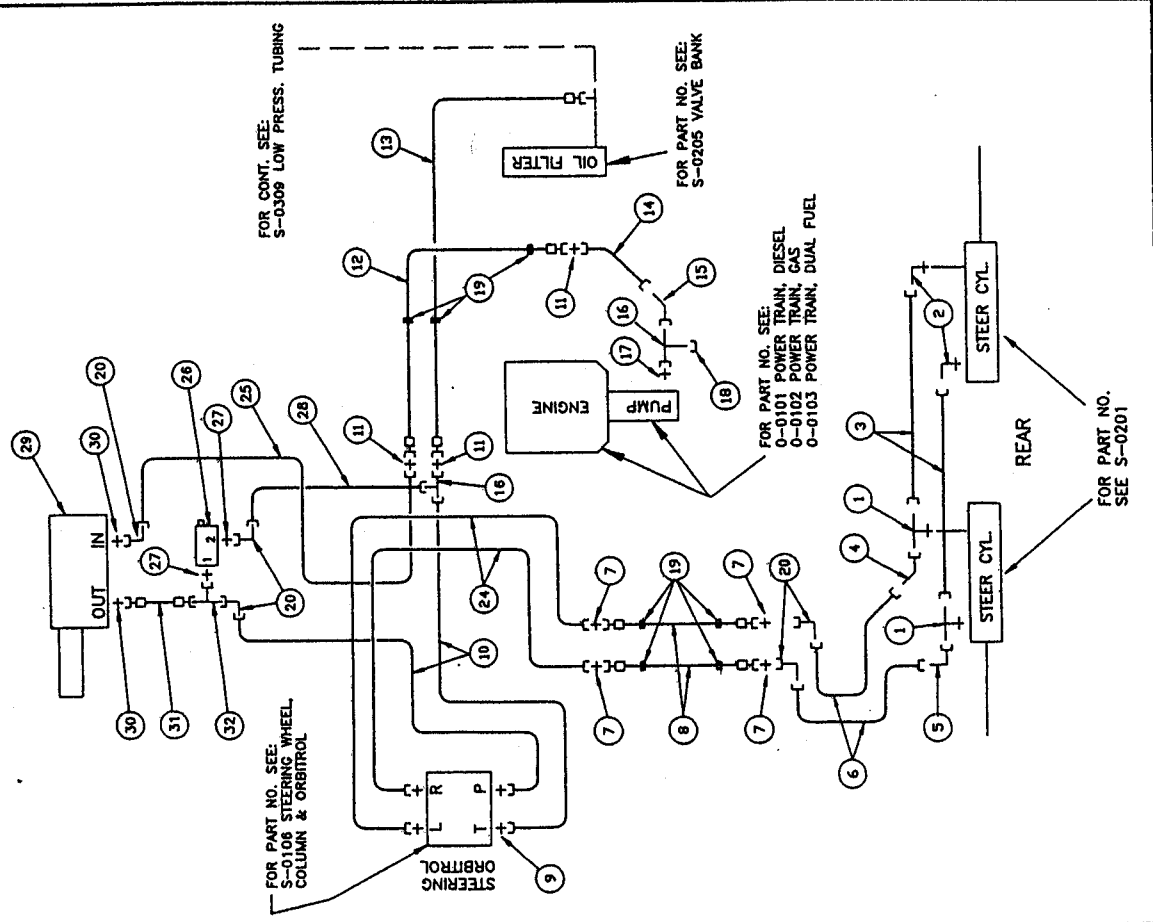


SERVICE / PARTS BILL OF MATERIAL

PLATE	ITEM	QTY	PART NO	A	DESCRIPTION
0-0902	1	2	218-5182	A	TUBING, STEERING - 4 WHL STEER
	2	2	218-5105	A	TEE - 3/8 STR THD O-RING BRANCH
	3	1	1000406	A	HOSE - 3/8 (90 DEG) STR THD O-RING
	4	1	218-5172	A	HOSE - HYD 3/8 X 21
	5	1	218-980	A	ELBOW - 3/8 (45 DEG) SWIVEL NUT
	6	2	1000407	A	ELBOW - 3/8 (90 DEG) SWIVEL NUT
	7	4	218-851	A	HOSE - HYD 3/8 X 14
	8	2	1600044	A	UNION - 1/2 X 3/8 REDUCING
	9	4	218-5058	A	TUBE ASSEMBLY
	10	2	1000398	A	CONNECTOR - 3/8 X 1/2 STR THD O-RING
	11	3	218-851	A	HOSE - HYD 3/8 X 38
	12	1	1600043	A	UNION - 1/2 X 3/8 REDUCING
	13	1	1600048	A	TUBE ASSEMBLY
	14	1	1000409	A	HOSE - HYD 3/8 X 24
	15	1	218-980	A	ELBOW - 3/8 (90 DEG) SWIV. (GAS/DUAL FUEL)
	16	1	218-5172	A	ELBOW - 3/8 (45 DEG) SWIV. (DIESEL)
	17	1	218-5222	A	TEE - 3/8 SWIVEL NUT RUN
	18	1	218-5058	A	CONNECTOR - 1/2 X 3/8 STR THD O-RING
	19	7	597489	A	CAP - 3/8 NUT
	20	2	218-980	A	CLAMP ASSEMBLY 1/2
	24	2	1000406	A	ELBOW - 3/8 (90 DEG) SWIVEL NUT
	25	2	1000397	A	HOSE - HYD 3/8 X 21
	26	1	1100096	A	HOSE - HYD 3/8 X 48
	27	1	1100097	A	* VALVE - SOLENOID
	28	4	113-14	A	VALVE - SOLENOID
	29	4	131-71	A	BOLT - 1/4 X 2.00 NC HEX
	30	12	195-102	A	NUT - LOCK 1/4 NC
	31	4	218-5128	A	WASHER - FLAT 1/4
	32	4	218-5058	A	ELBOW - 1/2 X 3/8 (90 DEG) STR THD O-RING
	33	1	1600049	A	CONNECTOR - 3/8 X 1/2 STR THD O-RING
	35	2	1000406	A	TUBE ASSEMBLY
	36	3	218-980	A	HOSE - HYD 3/8 X 21
	37	2	218-5243	A	ELBOW - 3/8 (90 DEG) SWIVEL NUT
	38	2	218-5105	A	TEE - 3/8 STR THD O-RING RUN
	39	1	1100231	A	ELBOW - 3/8 (90 DEG) STR THD O-RING
	40	2	814-16020	A	PLATE
	41	2	1000407	A	BOLT - M16 X 20MM HOSE - HYD 3/8 X 14

ITEMS MARKED WITH * SEE PARTS SUB PLATE FOR MORE DETAIL

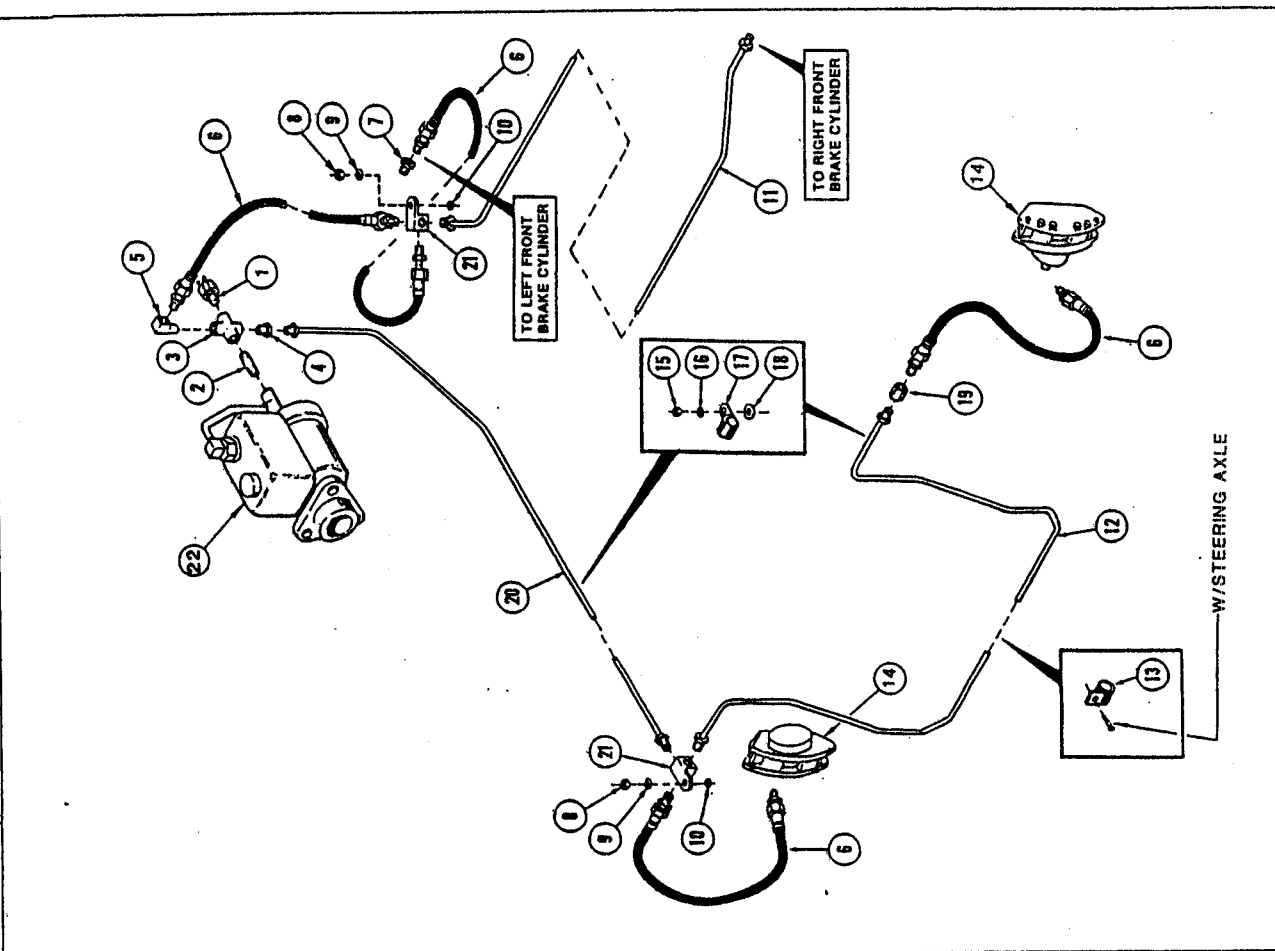
REV: A STEERING TUBING - 2 WHEEL STEER W/ POWER BRAKE 3330E O-0903



SERVICE / PARTS BILL OF MATERIAL

PLATE	ITEM	QTY	PART NO	A	DESCRIPTION	REV	BON CHANGE
0-0903					STEERING TUBING - 2 WHEEL STEER W/POWER BRAKE		A
	1	2	218-5182		TEE - 3/8 STR THD O-RING BRANCH		
	2	2	218-5105		ELBOW - 3/8 (90 DEG) STR THD O-RING		
	3	2	1000406		HOSE - HYD 3/8 X 21		
	4	1	218-5172		ELBOW - 3/8 (45 DEG) SWIVEL NUT		
	5	4	218-980		ELBOW - 3/8 (90 DEG) SWIVEL NUT		
	6	2	1000407		HOSE - HYD 3/8 X 14		
	7	4	218-851		UNION - 1/2 X 3/8 REDUCING		
	8	2	1600044		TUBE ASSEMBLY		
	9	4	218-5058		CONNECTOR - 3/8 X 1/2 STR THD O-RING		
	10	2	1000398		HOSE - HYD 3/8 X 38		
	11	3	218-851		UNION - 1/2 X 3/8 REDUCING		
	12	1	1600043		TUBE ASSEMBLY		
	13	1	1600048		TUBE ASSEMBLY		
	14	1	1000409		HOSE - HYD 3/8 X 24		
	15	1	218-980		ELBOW - 3/8 (90 DEG) SWIV. (GAS/DUAL FUEL)		
	16	1	218-5172		ELBOW - 3/8 (45 DEG) SWIV. (DIESEL)		
	17	2	218-5222		TEE 3/8 SWIVEL NUT RUN		
	18	1	218-5058		CONNECTOR - 1/2 X 3/8 STR THD O-RING		
	19	1	218-754		CAP - 3/8 NUT		
	20	5	S97489		CLAMP ASSEMBLY 1/2		
	21	2	218-980		ELBOW - 3/8 (90 DEG) SWIVEL NUT		
	22	2	1000398		HOSE - HYD 3/8 X 38		
	23	1	1001693		HOSE - HYD 3/8 X 32		
	24	1	1100328		RELIEF VALVE		
	25	2	218-5044		CONNECTOR - 3/8 X 3/4 STR THD O-RING		
	26	1	1000406		HOSE - HYD 3/8 X 21		
	27	1	1300147		POWER BRAKE MASTER CYLINDER		
	28	2	218-5354		CONNECTOR - 3/8 X 5/8 STR THD O-RING		
	29	1	1600049		TUBE ASSEMBLY		
	30	1	218-836		TEE - 3/8 SWIVEL NUT BRANCH		

ITEMS MARKED WITH * SEE PARTS SUB PLATE FOR MORE DETAIL

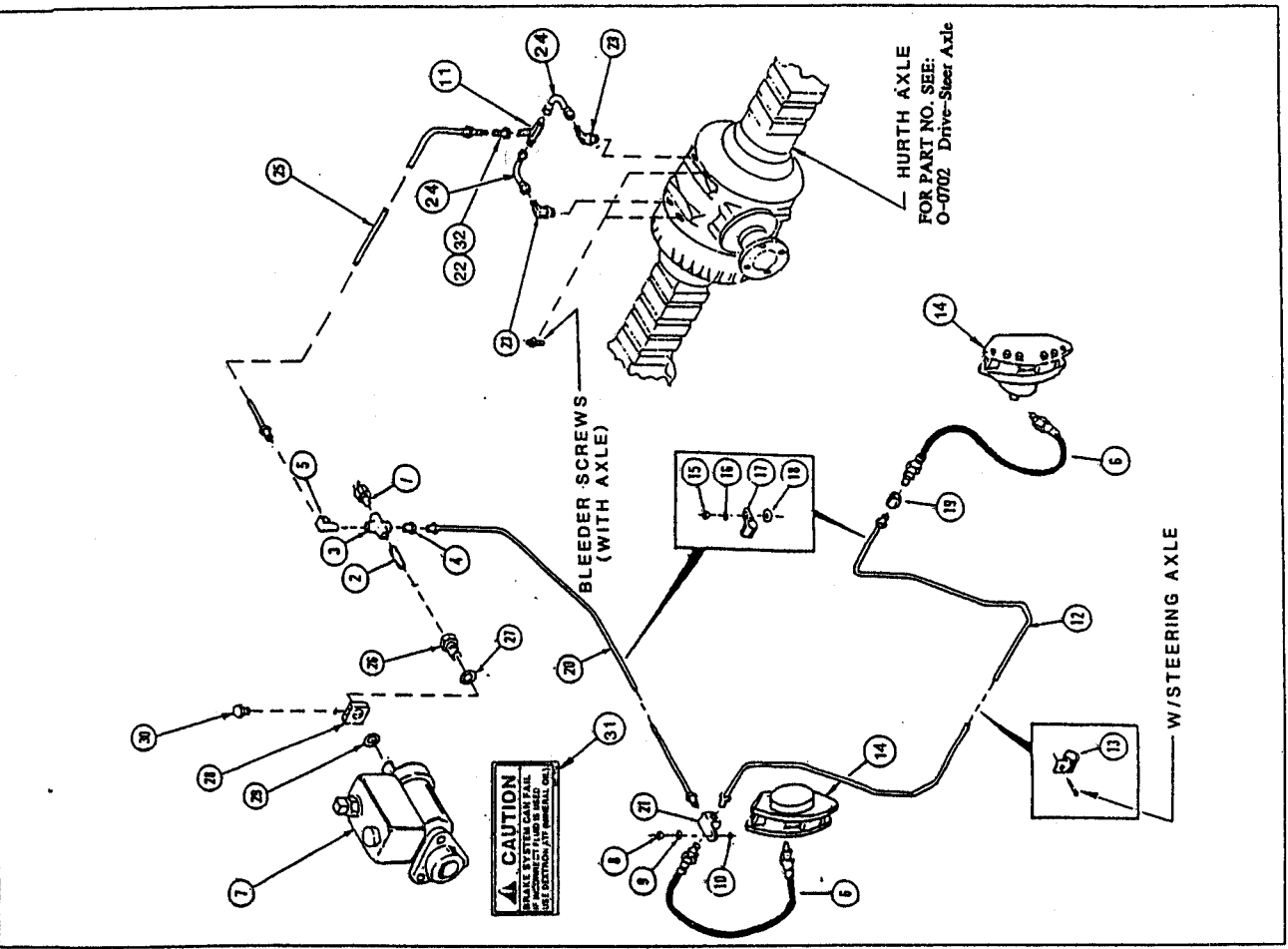


SERVICE / PARTS BILL OF MATERIAL

PLATE	ITEM	QTY	PART NO	A	DESCRIPTION	REV	BON CHANGE
0-1001							

1	1	S49603			BRAKE LINES - 2 WHL STEER (ROCKWELL AXLE)	B	
2	1	217-1079			..SWITCH - STOP LIGHT		
3	1	217-35			NIPPLE - 1/8 NPT		
4	1	222-1012			CROSS - 1/8 NPT BRASS FEMALE		
5	1	222-1021			ADAPTER - TUBE		
6	4	D49256			ELBOW - TUBE		
7	1	222-1115			HOSE - 3/16		
8	2	131-69			ADAPTER		
9	2	195-103			NUT - LOCK 5/16 NC		
10	2	195-104			WASHER - FLAT 5/16		
11	1	S515210			WASHER - FLAT 3/8 (.438-1.000)		
12	1	S515211			TUBE ASSEMBLY (BRAKE LINE)		
13	1	A38799			TUBE ASSEMBLY (BRAKE LINE)		
14	2	S242975		*	CLAMP - TUBE		
15	2	131-52			* CALIPER - DISC BRAKE		
16	2	195-525			NUT - LOCK 3/8 NC		
17	2	49851			WASHER - FLAT 3/8 (.406-.812)		
18	2	195-106			CLAMP - TUBE		
19	1	222-1053			WASHER - FLAT 1/2 (.562-1.375)		
20	1	1600033			UNION - TUBE 1/4		
21	2	A12451			TUBE ASSEMBLY (BRAKE LINE)		
22	1	S242884		*	TEE - 3/8-24		
					BRAKE MASTER CYLINDER		

ITEMS MARKED WITH * SEE PARTS SUB PLATE FOR MORE DETAIL



SERVICE / PARTS BILL OF MATERIAL

PLATE	ITEM	QTY	PART NO	A	DESCRIPTION	REV	BON CHANGE
0-1002	1	1	S49603		BRAKE LINES - 2 & 4 WHEEL STEER (HURTH)	B	
	2	1	217-1079		SWITCH - STOP LIGHT		
	3	1	217-35		NIPPLE - 1/8 NPT		
	4	1	222-1012		CROSS - 1/8 NPT BRASS FEMALE		
	5	1	222-1022		ADAPTER - TUBE		
	6	2	049256		ELBOW		
	7	1	1000353		HOSE - 3/16		
	8	1	131-69	*	BRAKE MASTER CYLINDER		
	9	1	195-103		NUT - LOCK 5/16 NC		
	10	1	195-508		WASHER - FLAT 5/16 (.172-.406)		
	11	1	218-593		WASHER - FLAT		
	12	1	S515211		TEE - 3/8 UNION		
	13	1	A38799		TUBE ASSEMBLY (BRAKE LINE)		
	14	2	1100109	*	TUBE ASSEMBLY (BRAKE LINE)		
	15	2	131-52		CLAMP - TUBE		
	16	2	195-525		NUT - LOCK 3/8 NC		
	17	2	49881		WASHER - FLAT 3/8 (.406-.812)		
	18	2	195-106		CLAMP - TUBE		
	19	1	222-1053		WASHER - FLAT 1/2 (.562-1.375)		
	20	1	1600033		UNION - TUBE 1/4		
	21	1	A12451		TUBE ASSEMBLY (BRAKE LINE)		
	22	1	218-790		TEE - 3/8-24		
	23	2	1000354		REDUCER - 3/8 X 1/4 (WITH NUT)		
	24	2	1600034		ELBOW - MALE STR THD METRIC		
	25	1	1600038		TUBE ASSEMBLY (BRAKE LINE)		
	26	1	S114813		TUBE ASSEMBLY (BRAKE LINE)		
	27	1	S114812		BOLT - LINE		
	28	1	S114811		WASHER - GASKET		
	29	1	S114810		BLOCK - FITTING		
	30	1	222-1062		GASKET		
	31	1	1001324		PLUG - 1/4		
	32	1	218-343		DECAL - BRAKE FLUID		
					NUT - 3/8 TUBE		

ITEMS MARKED WITH * SEE PARTS SUB PLATE FOR MORE DETAIL

REV: B	FLUID and LUBRICANTS - DIESEL (2 WHL STEER)	3330E	0-1101
(ROCKWELL AXLE)			

SERVICE / PARTS BILL OF MATERIAL

PLATE 0-1101
 ITEM QTY PART NO A
 DESCRIPTION
 REV B
 BON CHANGE

1	1	331-307	FLUID and LUBE - DIESEL (2 WHL STEER)
2	4	331-37	(ROCKWELL AXLE)
3	2	331-29	(QT) BRAKE FLUID (DOT 3)
4	11	331-301	(LB) SWING GEARCASE AND LUBE POINTS
5	13	1001249	MULTIPURPOSE EP LITHIUM BASE GREASE
6	10	331-500	(QT) AXLE DIFFERENTIAL - ROCKWELL
7	9	331-47	MOBILUBE HD 80W-90 GEAR LUBE, API GL5
8	4	1000403	(QT) ENGINE - SAE 15W-40 OIL
9	1	1000817	(QT) TRANSMISSION - MOBIL ATF210
10	7	1100179	(QT) ANTIFREEZE, ETHYLENE GLYCOL
11	120	1100179	1/2 ETHYLENE GLYCOL ANTIFREEZE, 1/2 WATER

(GA) FUEL - DIESEL #2
 (QT) WINCH GEARCASE - 600W CYLINDER OIL
 (PT) SWING GEAR/PINION
 MOBILTAC 275 OPEN GEAR LUBE
 (QT) TORQUE CONVERTER - MOBILFLUID #424
 (QT) HYDRAULIC SYSTEM - MOBILFLUID #424

ITEMS MARKED WITH * SEE PARTS SUB PLATE FOR MORE DETAIL

REV: B FLUID and LUBRICANTS - DIESEL 2 & 4 WHL STEER 3330E 0-1102

(HURTH AXLE)

SERVICE / PARTS BILL OF MATERIAL

PLATE	ITEM	QTY	PART NO	A	DESCRIPTION	REV	BON CHANGE
0-1102					FLUID and LUBE - DIESEL (2 & 4 WHL STEER)	B	
	1	1	331-104		(HURTH AXLE)		
	2	4	331-37		(QT) BRAKE FLUID (DEXRON II)		
	3	11	1100179		(LB) SWING GEARCASE AND LUBE POINTS		
	4	11	331-301		MULTIPURPOSE EP LITHIUM BASE GREASE		
	5	13	1001249		(QT) AXLE DIFF. & HUBS - HURTH		
	6	10	331-500		MOBILFLUID #424		
	7	9	331-47		(QT) ENGINE - SAE 15W-40 OIL		
	8	4	1000403		(QT) TRANSMISSION - MOBIL ATF210		
	9	1	1000817		(QT) ANTIFREEZE, ETHYLENE GLYCOL		
	10	7	1100179		1/2 ETHYLENE GLYCOL ANTIFREEZE, 1/2 WATER		
	11	120	1100179		(GA) FUEL - DIESEL #2		
					(QT) WINCH GEARCASE - 600W CYLINDER OIL		
					(PT) SWING GEAR/PINION		
					MOBILTAC 275 OPEN GEAR LUBE		
					(QT) TORQUE CONVERTER - MOBILFLUID #424		
					(QT) HYDRAULIC SYSTEM - MOBILFLUID #424		

ITEMS MARKED WITH * SEE PARTS SUB PLATE FOR MORE DETAIL

REV: B FLUID and LUBRICANTS - GAS (2 WHL STEER) 3330E 0-1103

(ROCKWELL AXLE)

SERVICE / PARTS BILL OF MATERIAL

PLATE	ITEM	QTY	PART NO	A	DESCRIPTION	REV	BON CHANGE
0-1103					FLUID and LUBE - GAS (2 WHL STEER)		B
	1	1	331-307		(QT) BRAKE FLUID (DOT 3)		
	2	4	331-37		(LB) SWING GEARCASE AND LUBE POINTS		
	3	2	331-29		MULTIPURPOSE EP LITHIUM BASE GREASE		
	4	7	331-301		(QT) AXLE DIFFERENTIAL - ROCKWELL		
	5	13	1001249		MOBILUBE HD 80W-90 GEAR LUBE, API GL5		
	6	10	331-500		(QT) ENGINE - SAE 15W-40 OIL		
	7	9	331-8		(QT) TRANSMISSION - MOBIL ATF210		
	8	4	1000403		(QT) ANTIFREEZE - ETHYLENE GLYCOL		
	9	1	1000817		1/2 ETHYLENE GLYCOL ANTIFREEZE, 1/2 WATER		
	10	7	1100179		(GA) FUEL - REGULAR GASOLINE		
	11	120	1100179		(QT) WINCH GEARCASE - 600W CYLINDER OIL		
					(PT) SWING GEAR/PINION		
					MOBILTAC 275 OPEN GEAR LUBE		
					(QT) TORQUE CONVERTER - MOBILFLUID #424		
					(QT) HYDRAULIC SYSTEM - MOBILFLUID #424		

ITEMS MARKED WITH * SEE PARTS SUB PLATE FOR MORE DETAIL

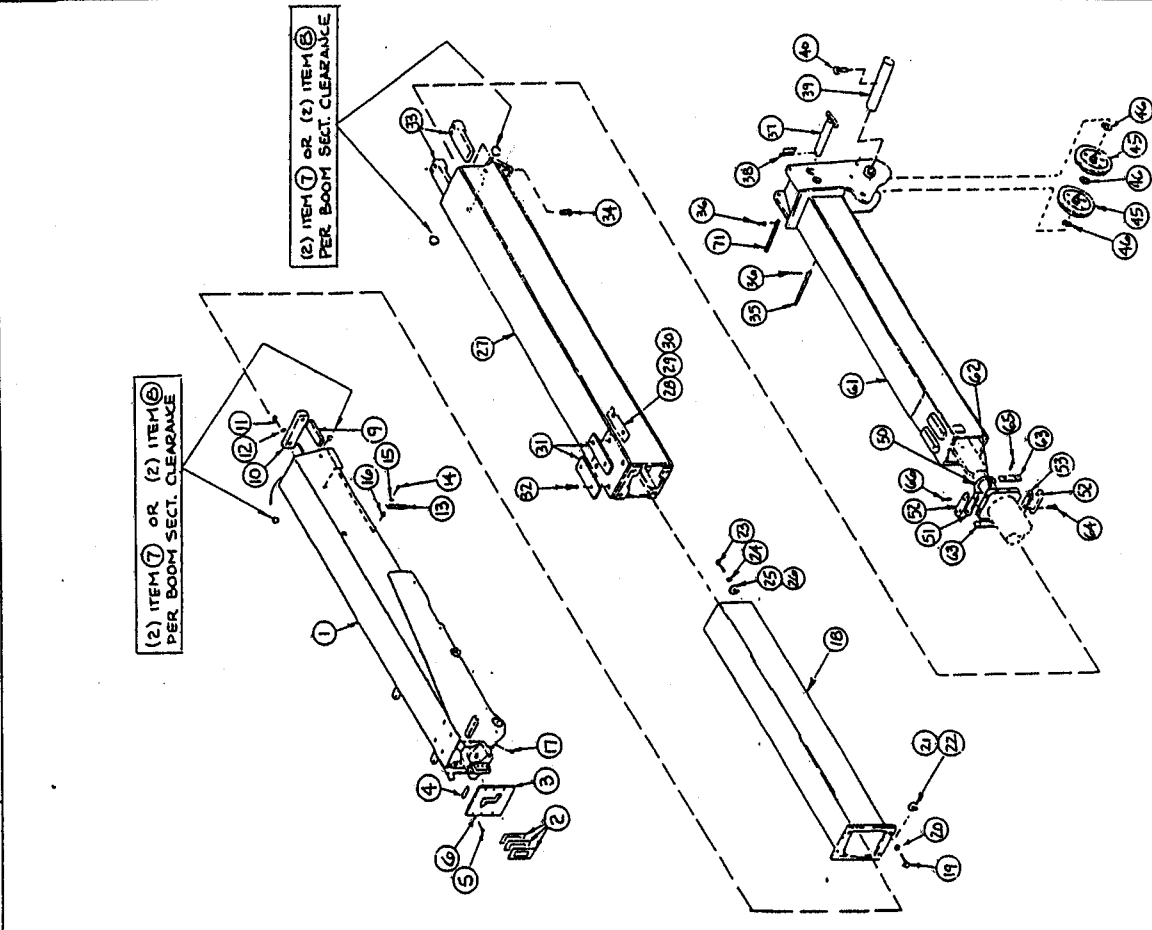
REV: B FLUID and LUBRICANTS - GAS 2 & 4 WHL STEER 3330E O-1104

(HURTH AXLE)

SERVICE / PARTS BILL OF MATERIAL

PLATE	ITEM	QTY	PART NO	A	DESCRIPTION	REV	BON CHANGE
0-1104					FLUID and LUBE - GAS (2 & 4 WHL STEER)		B
	1	1	331-104		(QT) BRAKE FLUID (DEXRON II)		
	2	4	331-37		(LB) SWING GEARCASE AND LUBE POINTS		
	3	11	1100179		MULTIPURPOSE EP LITHIUM BASE GREASE		
	4	7	331-301		(QT) AXLE DIFF. & HUBS - HURTH		
	5	13	1001249		MOBILFLUID #424		
	6	10	331-500		(QT) ENGINE - SAE 15W-40 OIL		
	7	9	331-8		(QT) TRANSMISSION - MOBIL ATF210		
	8	4	1000403		(QT) ANTIFREEZE, ETHYLENE GLYCOL		
	9	1	1000817		1/2 ETHYLENE GLYCOL ANTIFREEZE, 1/2 WATER		
	10	7	1100179		(GA) FUEL - REGULAR GASOLINE		
	11	120	1100179		(QT) WINCH GEARCASE - 600M CYLINDER OIL		
					(PT) SWING GEAR/PINION		
					MOBILTAC 275 OPEN GEAR LUBE		
					(QT) TORQUE CONVERTER - MOBILFLUID #424		
					(QT) HYDRAULIC SYSTEM - MOBILFLUID #424		

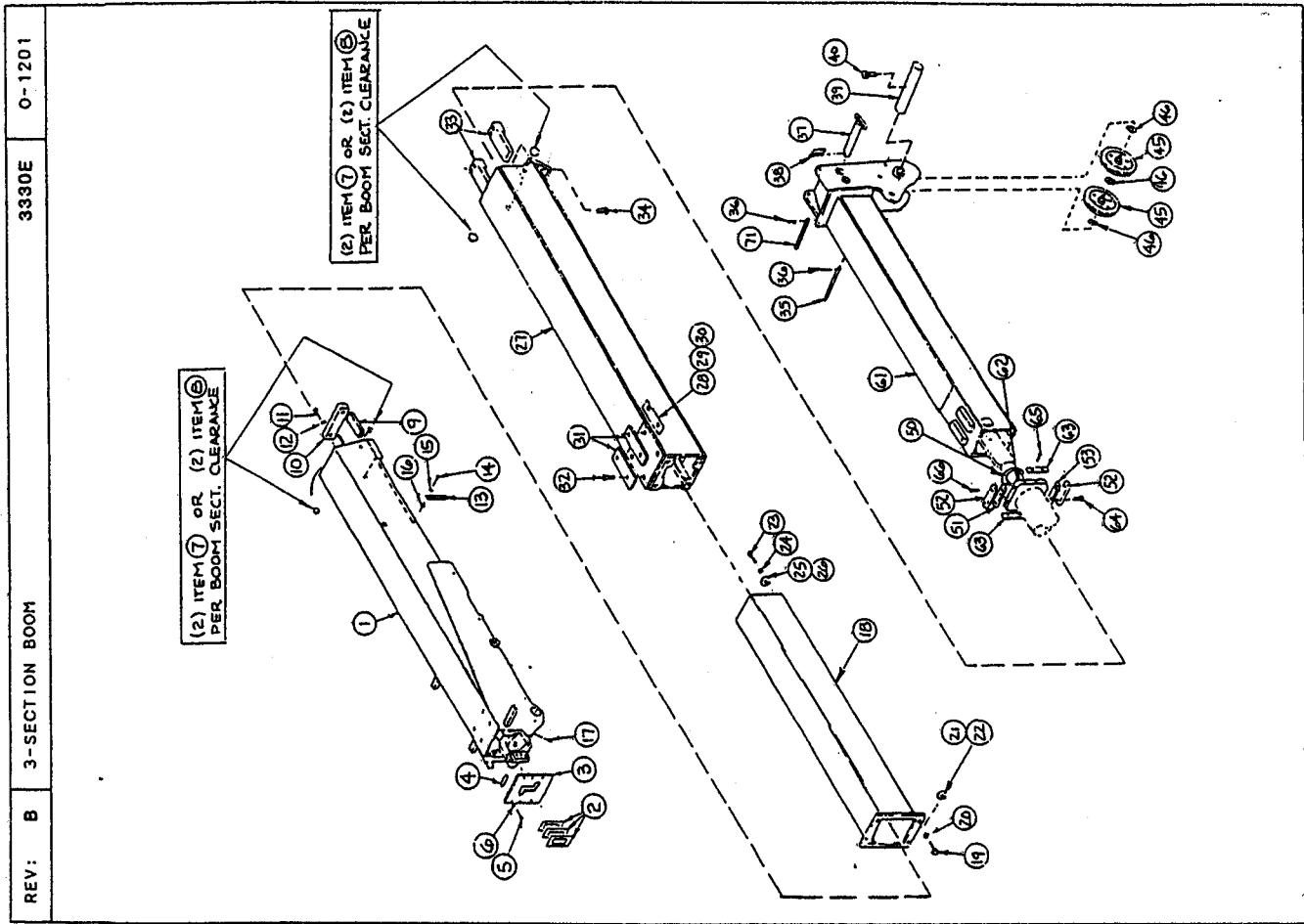
ITEMS MARKED WITH * SEE PARTS SUB PLATE FOR MORE DETAIL



SERVICE / PARTS BILL OF MATERIAL

PLATE	ITEM	QTY	PART NO	A	DESCRIPTION
0-1201	1	1	1300125		BOOM - 3 SECTION
	2	1	1300124		BOOM - SECTION 1 (LONG)
	3	3	S237734		SHIM - CYLINDER HEAD MOUNTING
	4	3	S510167		BRACKET - CYLINDER HEAD MOUNTING
	5	3	138-206		PIN - ROLL 1/2 X 2.00
	6	6	113-410		BOLT - 1/2 X 1.50 NC HEX
	7	6	192-23		WASHER - LOCK 1/2
	8	2	S61627		BEARING - BRASS GUIDE
	9	2	S64984		BEARING - BRASS GUIDE
	10	2	S233617		BEARING - NYLATRON
	11	1	S110729		BAR - RETAINING
	12	1	113-207		BOLT - 3/8 X 1.00 NC HEX
	13	2	192-21		WASHER - LOCK 3/8
	14	2	S113842		INDICATOR - BOOM ANGLE
	15	2	114-201		BOLI - 3/8 X 1.25 NF HEX
	16	2	195-325		WASHER - FLAT 3/8
	17	2	S113843		BEARING - FLANGED (-.406-.812)
	18	2	219-1		FITTING - GREASE 1/8 NPT STRT (COMMERCIAL)
	19	2	1001712		FITTING - GREASE 1/8 NPT STRT (MILITARY)
	20	1	S609092		BOOM - SEQUENCING (STD)
	21	4	1300079		BOOM - SEQUENCING (LONG)
	22	4	113-410		BOLT - 1/2 X 1.50 NC HEX
	23	4	192-23		WASHER - LOCK 1/2
	24	4	S115197		SHIM - 0.062" THICK
	25	4	S115198		SHIM - 0.015" THICK
	26	4	28-628		BOLT - 3/8 X 1.75 NC HEX GR 8
	27	4	S75553		SHIM - 0.062" THICK
	28	1	1300132		BOOM - SECTION 2 (LONG)
	29	2	1000345A		BOOM - SECTION 2 (STD)
	30	2	1000345B		SHIM - BOOM 0.078" THICK
	31	2	1000345C		SHIM - BOOM 0.062" THICK
	32	2	S229807		SHIM - BOOM 0.032" THICK
	33	4	164-49		BEARING - TOP REAR BOOM
	34	4	S242033		BOLT - 3/8 X 0.63 NC HEX SOC GR 8
	35	4	164-50		SLIDE - LOWER FRONT
	36	4	S118867		BOLT - 3/8 X 0.75 NC HEX SOC GR 8
	37	4	S120262		PIN - ROPE GUIDE
	38	1	S229800		PIN - HAIR
	39	1	S98905		PIN - CROWD CYLINDER TO HEAD
	40	1	1100215		PIN - SHEAVE, BOOM HEAD
	41	1	1001216		SCREW - SET 1/2 X 0.75 UNC
	42	2	S200211		SHEAVE ASSEMBLY
	43	4	S109722		WASHER - NYLATRON SPACER
	44	1	F11296		RING - SNAP
	45	1	S108009		SPACER - BEARING
	46	1	S229808		BEARING - CROWD CYLINDER FRONT
	47	2	S106140		SPACER - BEARING

ITEMS MARKED WITH * SEE PARTS SUB PLATE FOR MORE DETAIL



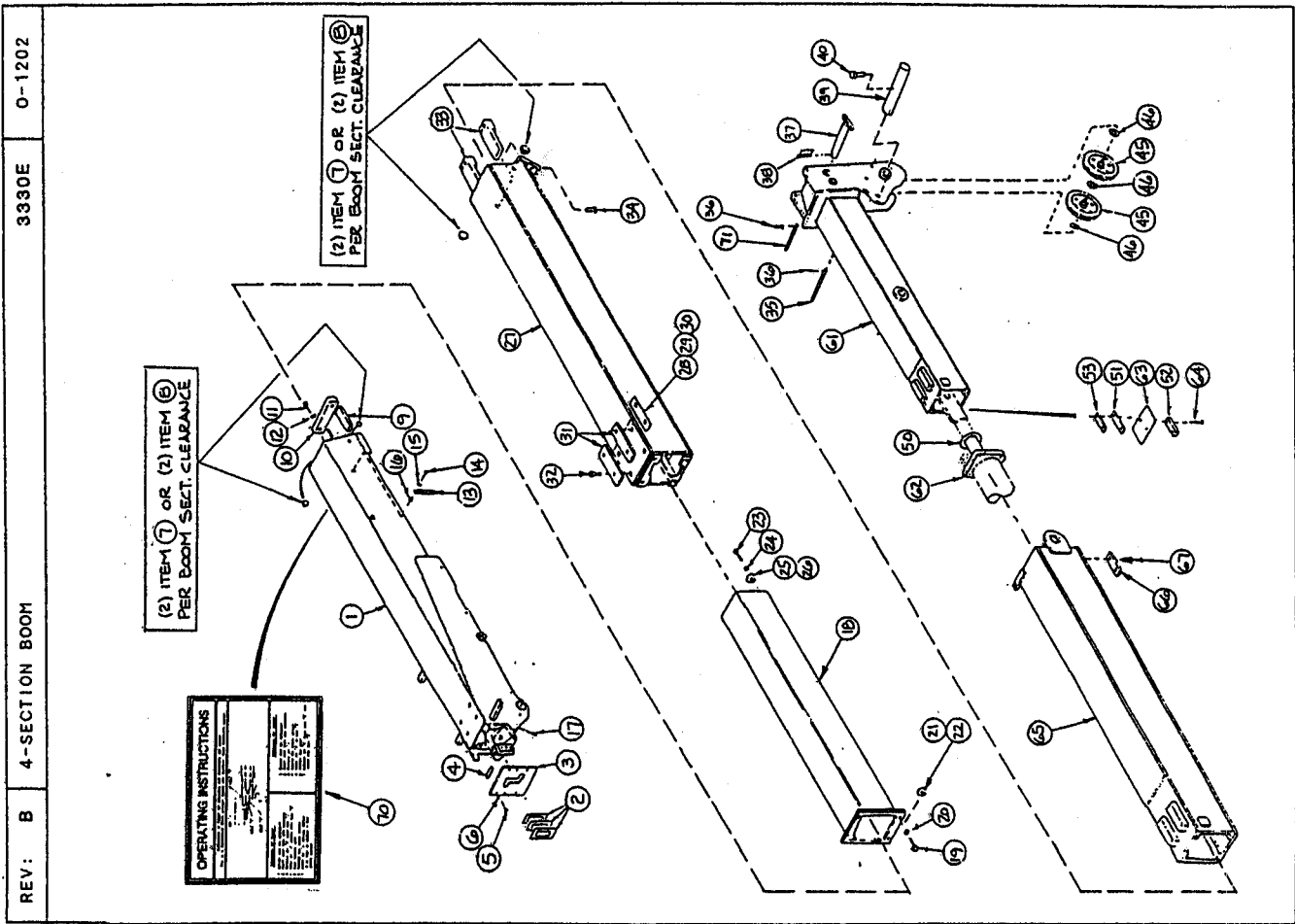
REV: B 3-SECTION BOOM 3330E O-1201

SERVICE / PARTS BILL OF MATERIAL

PLATE	ITEM	QTY	PART NO	A	DESCRIPTION
0-1201	61	1	1300112		BOOM - SECTION 3 OF 3 (LONG)
	62	1	1300111		BOOM - SECTION 3 OF 3 (STD)
	63	1	S229845		GUIDE - CROMD CYLINDER
	64	2	S108010		BEARING - CROMD CYLINDER GUIDE
	65	2	164-52		BOLT - 3/8 X 1.25 NC HEX SOC GR 8
	66	4	164-49		BOLT - 3/8 X 0.63 NC HEX SOC GR 8
	67	2	164-50		BOLT - 3/8 X 0.75 NC HEX SOC GR 8
	71	1	1001342		PIN - ROPE GUIDE

REV BON CHANGE

ITEMS MARKED WITH * SEE PARTS SUB PLATE FOR MORE DETAIL

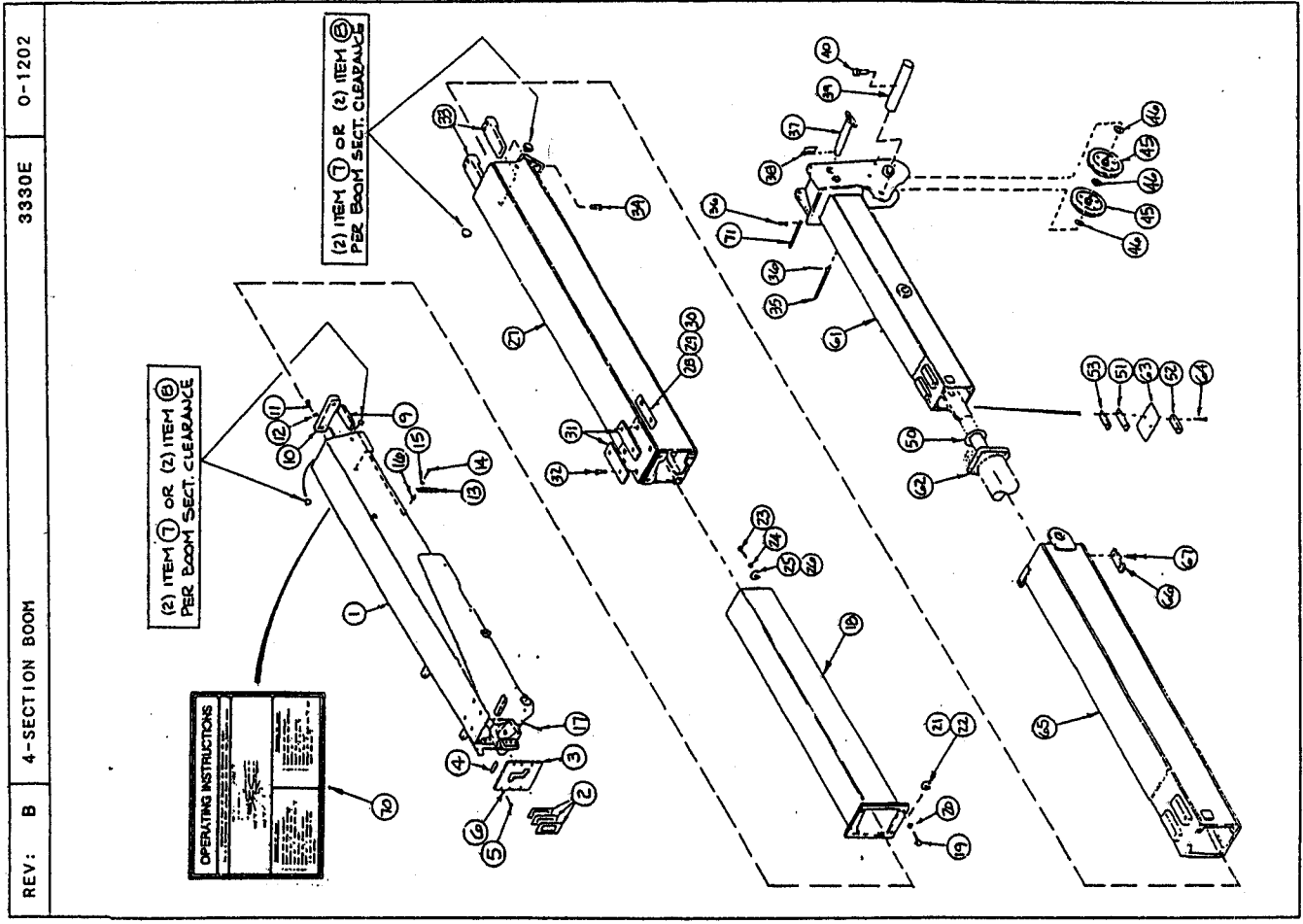


REV: B 4-SECTION BOOM 3330E 0-1202

SERVICE / PARTS BILL OF MATERIAL

PLATE	ITEM	QTY	PART NO A	DESCRIPTION	REV	BON CHANGE
0-1202	1	1	1300125	BOOM - 4 SECTION		
	1	1	1300124	BOOM - SECTION 1 (LONG)		
	2	3	S237734	SHIM - SECTION 1 (STD)		
	3	1	S510167	BRACKET - CYLINDER HEAD MOUNTING		
	4	3	138-206	PIN - ROLL 1/2 X 2.00		
	5	3	113-410	BOLT - 1/2 X 1.50 NC HEX		
	6	6	192-23	WASHER - LOCK 1/2		
	7	2	S61627	BEARING - BRASS GUIDE		
	8	2	S64984	BEARING - NYLATRON		
	9	2	S233617	BAR - RETAINING		
	10	2	S110729	BOLT - 3/8 X 1.00 NC HEX		
	11	2	113-207	WASHER - LOCK 3/8		
	12	2	192-21	INDICATOR - BOOM ANGLE		
	13	2	S113842	BOLT - 3/8 X 1.25 NF HEX		
	14	2	114-201	WASHER - FLAT 3/8 (.406-.812)		
	15	2	195-525	BEARING - FLANGED		
	16	2	S113843	FITTING - GREASE 1/8 NPT STRT (COMMERCIAL)		
	17	2	219-1	FITTING - GREASE 1/8 NPT STRT (MILITARY)		
	18	1	1001712	BOOM - SEQUENCING (STD)		
	19	1	S609092	BOOM - SEQUENCING (LONG)		
	20	4	113-410	BOLT - 1/2 X 1.50 NC HEX		
	21	4	192-23	WASHER - LOCK 1/2		
	22	4	S115197	SHIM - 0.062" THICK		
	23	4	S115198	SHIM - 0.015" THICK		
	24	4	26-628	BOLT - 3/8 X 1.75 NC HEX GR 8		
	25	4	192-21	WASHER - LOCK 3/8		
	26	4	S75553	SHIM - 0.062" THICK		
	27	4	S75554	SHIM - 0.015" THICK		
	28	1	1300132	BOOM - SECTION 2 (LONG)		
	29	2	1000345A	BOOM - SECTION 2 (STD)		
	30	2	1000345B	SHIM - BOOM 0.078" THICK		
	31	2	1000345C	SHIM - BOOM 0.062" THICK		
	32	4	S229807	BEARING - TOP REAR BOOM		
	33	2	164-49	BOLT - 3/8 X 0.63 NC HEX SOC GR 8		
	34	4	S242033	SLIDE - LOWER FRONT		
	35	4	164-50	BOLT - 3/8 X 0.75 NC HEX SOC GR 8		
	36	1	S118867	PIN - ROPE GUIDE		
	37	4	S120262	PIN - HAIR		
	38	1	S229800	PIN - CROWD CYLINDER TO HEAD		
	39	1	S98905	PIN - SHAPPER		
	40	1	1100215	PIN - SHEAVE, BOOM HEAD		
	41	1	1001216	SCREW - SET 1/2 X 0.75 UNC		
	42	4	S200211	SHEAVE ASSEMBLY		
	43	2	S109722	WASHER - NYLATRON SPACER		
	44	1	F11296	RING - SNAP		
	45	1	S108009	SPACER - BEARING		
	46	2	S229808	BEARING - CROWD CYLINDER FRONT		
	47	2	S106140	SPACER - BEARING		

ITEMS MARKED WITH * SEE PARTS SUB PLATE FOR MORE DETAIL

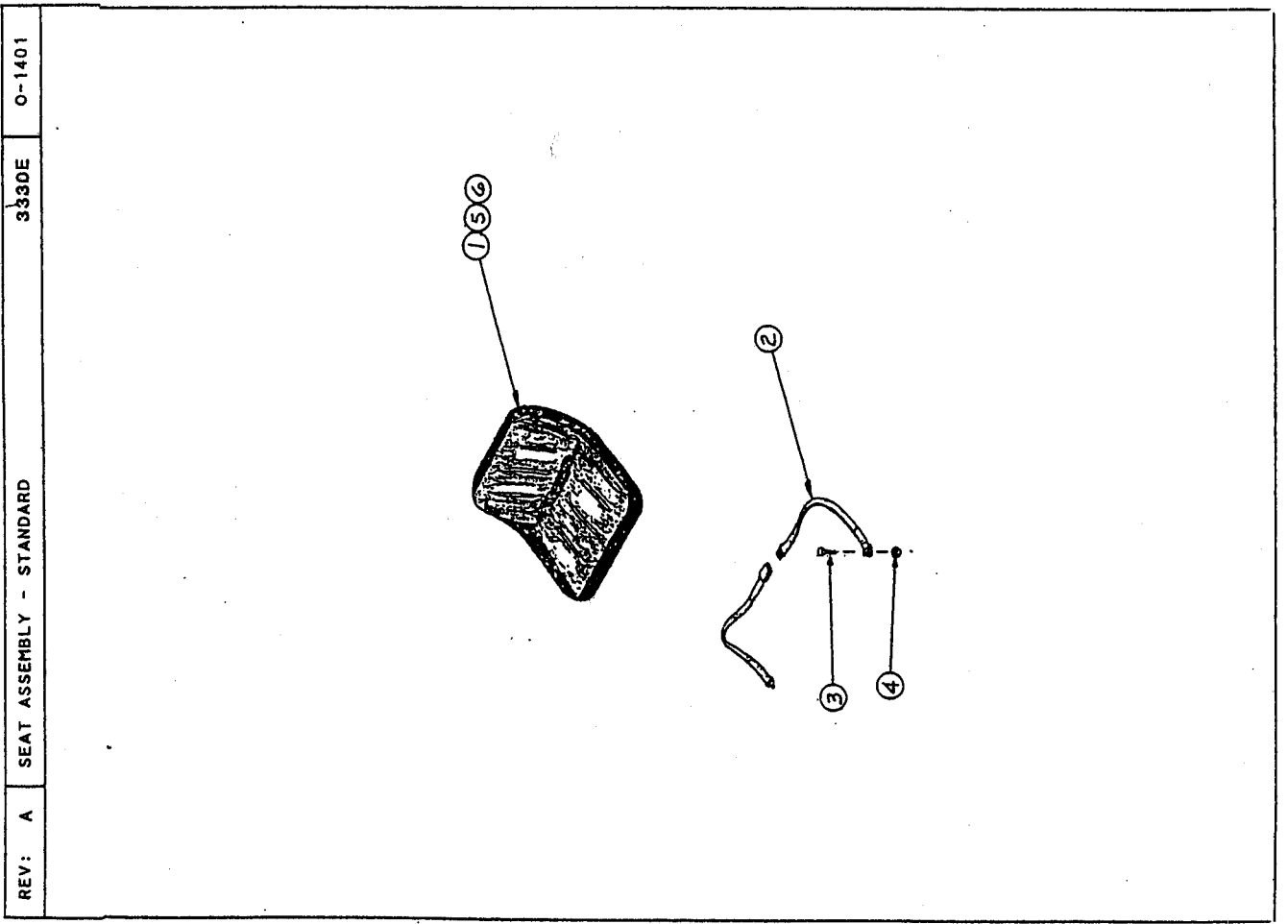


REV: B 4-SECTION BOOM 3330E 0-1202

SERVICE / PARTS BILL OF MATERIAL

PLATE	ITEM	QTY	PART NO	A	DESCRIPTION	REV	BON	CHANGE
0-1202	61	1	1300114		BOOM - SECTION 4 OF 4 (LONG)			
	62	1	1300113		BOOM - SECTION 4 OF 4 (STD)			
	63	1	S237647		GUIDE - CROMD CYLINDER			
	64	2	S115077		BEARING - CROMD CYLINDER GUIDE			
	65	1	164-54		BOLT - 3/8 X 1.75 NC HEX SOC GR 8			
	66	1	S614121		BOOM - SECTION 3 (STD)			
	67	2	1300080		BOOM - SECTION 3 (LONG)			
	68	2	S229806		BAR - WEAR			
	69	4	164-50		BOLT - 3/8 X 0.75 NC HEX SOC GR 8			
	70	1	1100273		DECAL - EXT 4TH BOOM SEC			
	71	1	1001342		PIN - ROPE GUIDE			

ITEMS MARKED WITH * SEE PARTS SUB PLATE FOR MORE DETAIL



REV: A SEAT ASSEMBLY - STANDARD 3330E O-1401

SERVICE / PARTS BILL OF MATERIAL

PLATE	ITEM	QTY	PART NO	A	DESCRIPTION	REV	BON CHANGE
O-1401	1	1	1100123	A	SEAT - STANDARD		
	2	1	S237536		SEAT - ASSEMBLY STANDARD		
	3	2	113-424		BELT - SAFETY		
	4	2	131-70		BOLT - 1/2 X 1.00 NC HEX		
	5	4	131-464		NUT - LOCK 1/2 NC		
	6	4	195-103		NUT - JAM LOCK 5/16 NC		
					WASHER - FLAT 5/16		

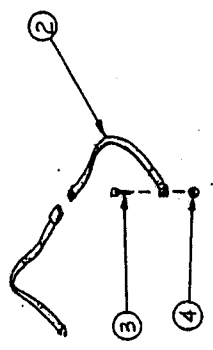
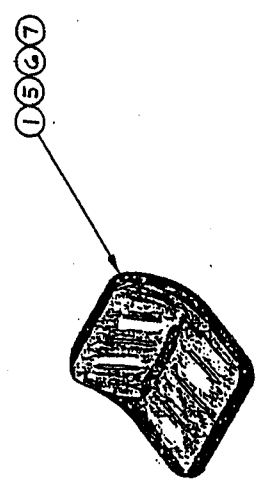
ITEMS MARKED WITH * SEE PARTS SUB PLATE FOR MORE DETAIL

REV: A SEAT ASSEMBLY - SUSPENSION 3330E O-1402

SERVICE / PARTS BILL OF MATERIAL

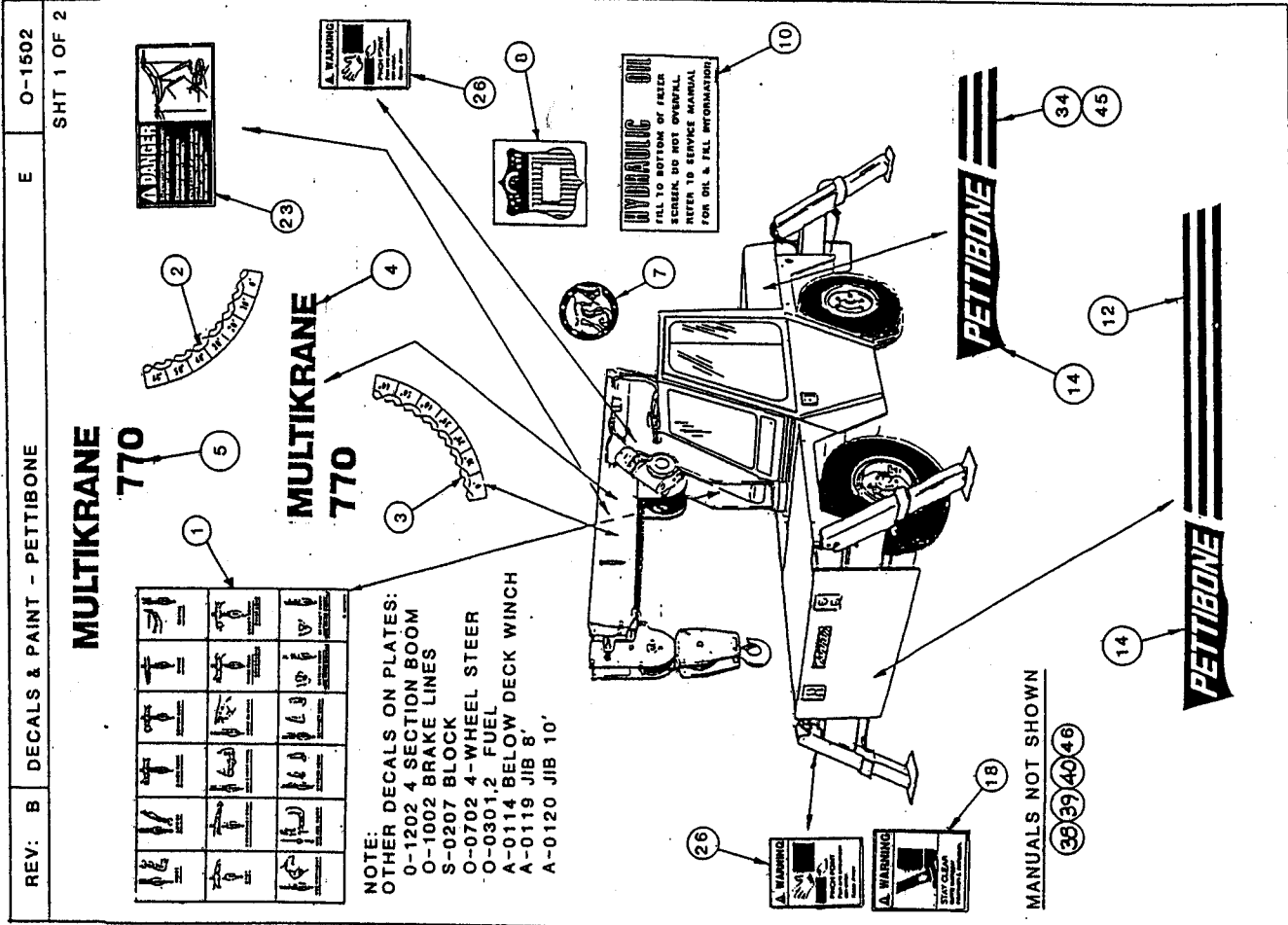
PLATE	ITEM	QTY	PART NO	A	DESCRIPTION
O-1402					SEAT - SUSPENSION
	1	1	1100101		SEAT - ASSEMBLY CUSHION
	2	1	S237536		BELT - SAFETY
	3	2	113-424		BOLT - 1/2 X 1.00 NC HEX
	4	2	131-70		NUT - LOCK 1/2 NC
	5	4	131-464		NUT - JAM LOCK 5/16 NC
	6	4	195-103		WASHER - FLAT 5/16
	7	4	113-103		BOLT - 5/16 X 1.00 NC HEX

REV BON CHANGE
A



ITEMS MARKED WITH * SEE PARTS SUB PLATE FOR MORE DETAIL

02/09/94



REV: B DECALS & PAINT - PETTIBONE E O-1502 SHT 1 OF 2

MULTIKRANE 770

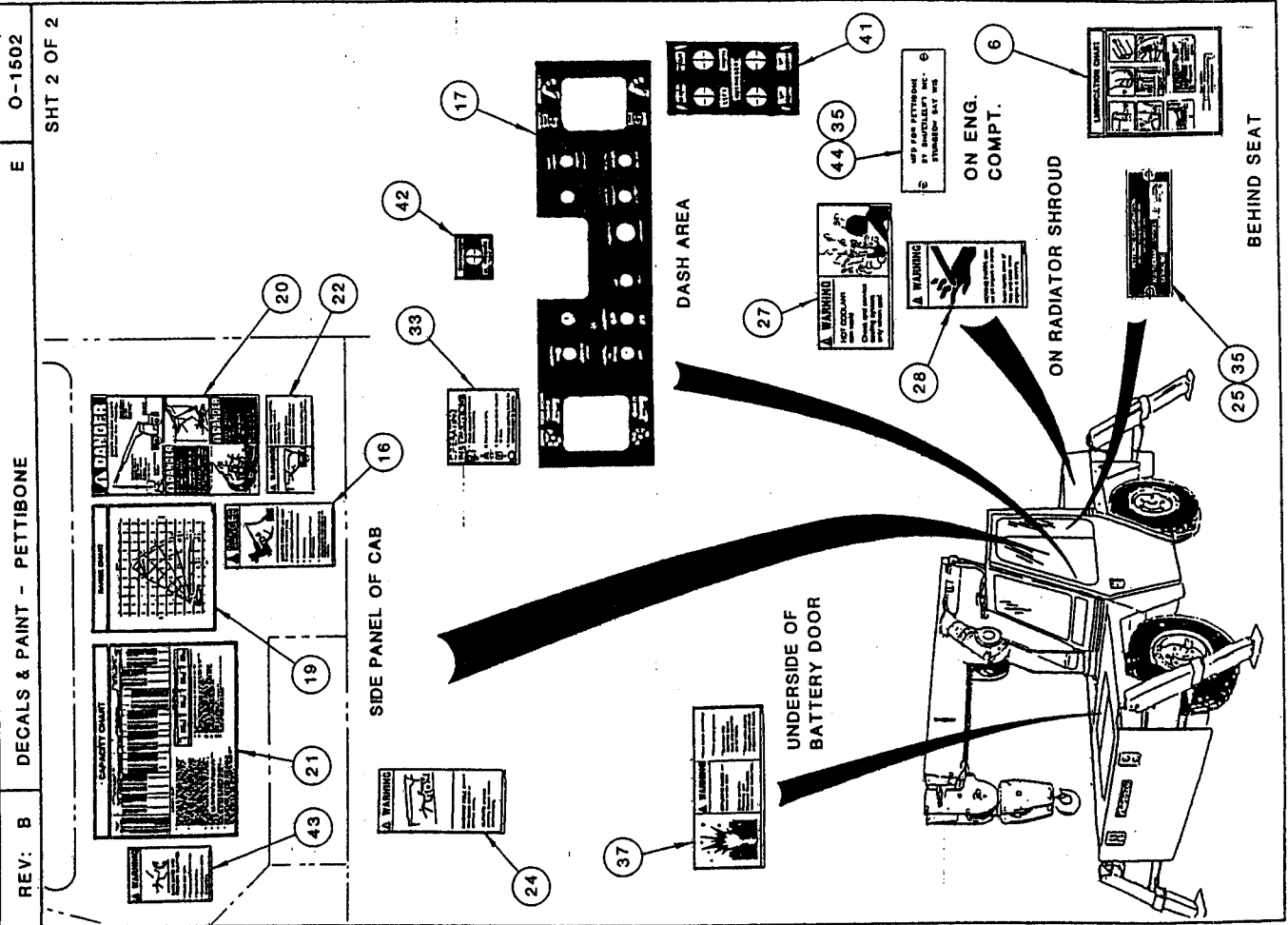
NOTE:
 OTHER DECALS ON PLATES:
 O-1202 4 SECTION BOOM
 O-1002 BRAKE LINES
 S-0207 BLOCK
 O-0702 4-WHEEL STEER
 O-0301.2 FUEL
 A-0114 BELOW DECK WINCH
 A-0119 JIB 8'
 A-0120 JIB 10'

MANUALS NOT SHOWN
 (39)(39)(40)(46)

SERVICE / PARTS BILL OF MATERIAL
 PLATE O-1502

ITEM	QTY	PART NO	A	DESCRIPTION
1	2	S506609		PAINT and DECALS - PETTIBONE
2	1	S513237		DECAL - HAND SIGNALS
3	1	S513238		DECAL - ANGLE INDICATOR (RIGHT)
4	1	1100117		DECAL - ANGLE INDICATOR (LEFT)
5	1	1100118		DECAL - MULTIKRANE 770 (LEFT)
6	1	1100274		DECAL - MULTIKRANE 770 (RIGHT)
7	1	1000041		DECAL - LUBE POINTS
10	1	S118863		DECAL - MADE IN U.S.A.
12	2	1100115-050		DECAL - HYDRAULIC OIL
14	4	1100116		DECAL - FRAME LINES (FRONT AND REAR)
16	1	1100254		DECAL - PETTIBONE/MERCURY
17	1	1300107		DECAL - MACHINE TIPOVER
18	4	1100267		DECAL - INSTRUMENT PANEL
19	1	1200150		DECAL - STAY CLEAR
20	1	1200149		DECAL - RANGE CHART (STD BOOM)
21	1	1200143		DECAL - RANGE CHART (LONG BOOM)
22	1	1200152		DECAL - ELECTROUTION HAZARD
23	1	1200151		DECAL - CAPACITY CHART (STD BOOM)
24	1	1100256		DECAL - CAPACITY CHART (LONG BOOM)
25	2	1200144		DECAL - CARRYING PERSONNEL
26	1	1100257		DECAL - ELECTRICAL HAZARD WARNING
27	1	1000421		DECAL - MACHINE ROLL AWAY
28	6	1100262		PLATE - IDENTIFICATION
29	1	1100259		DECAL - PINCH POINT
30	1	1100264		DECAL - HOT COOLANT
31	1	1100264		DECAL - MOVING PARTS
32	1	1000429		UNIT CHECK INSPECTION SHEET
33	24	1000124		PAINT - FEDERAL YELLOW
34	4	1000414		PRIMER
35	20	1000140		DECAL - OPERATING INSTRUCTIONS
36	1	1100258		DECAL - FRAME LINES (ENGINE SHROUD)
37	8	151-543		RIVET
38	1	1100263		DECAL - EXPLOSIVE GASES
39	1	1001335		MANUAL - PETTIBONE O&M
40	1	1001351		MANUAL - PETTIBONE PARTS
41	1	S406231		MANUAL - SAFETY
42	1	1100206		DECAL - OUTRIGGER OPERATION
43	1	1100219		DECAL - LIGHT DESCRIPTION
44	1	1100255		DECAL - SAVE LIVES
45	1	1000422		PLATE - MFG BY SHUTTLELIFT
46	1	1100115-013		DECAL - FRAME LINES (OIL TANK)
				TRANSMISSION TROUBLE SHOOTING MAN.

ITEMS MARKED WITH * SEE PARTS SUB PLATE FOR MORE DETAIL



REV: B DECALS & PAINT - PETTIBONE E O-1502 SHT 2 OF 2

SERVICE / PARTS BILL OF MATERIAL

PLATE	ITEM	QTY	PART NO	A	DESCRIPTION
O-1502	1	2	S506609		PAINT and DECALS - PETTIBONE
	2	1	S513237		DECAL - HAND SIGNALS
	3	1	S513238		DECAL - ANGLE INDICATOR (RIGHT)
	4	1	1100117		DECAL - ANGLE INDICATOR (LEFT)
	5	1	1100118		DECAL - MULTIKRANE 770 (LEFT)
	6	1	1100274		DECAL - MULTIKRANE 770 (RIGHT)
	7	1	1000041		DECAL - LUBE POINTS
	10	1	S118863		DECAL - MADE IN U.S.A.
	12	2	1100115-050		DECAL - HYDRAULIC OIL
	14	4	1100116		DECAL - FRAME LINES (FRONT AND REAR)
	16	1	1100254		DECAL - PETTIBONE/MERCURY
	17	1	1300107		DECAL - MACHINE TIPOVER
	18	4	1100267		DECAL - INSTRUMENT PANEL
	19	1	1200150		DECAL - STAY CLEAR
	20	1	1200149		DECAL - RANGE CHART (STD BOOM)
	21	1	1200143		DECAL - RANGE CHART (LONG BOOM)
	22	1	1200152		DECAL - ELECTROUTION HAZARD
	23	1	1200151		DECAL - CAPACITY CHART (STD BOOM)
	24	1	1200151		DECAL - CAPACITY CHART (LONG BOOM)
	25	1	1100256		DECAL - CARRYING PERSONNEL
	26	2	1200144		DECAL - ELECTRICAL HAZARD WARNING
	27	1	1100257		DECAL - MACHINE ROLL AWAY
	28	1	1100264		PLATE - IDENTIFICATION
	29	1	1000429		DECAL - PINCH POINT
	30	24	1000124		DECAL - HOT COOLANT
	31	4	1000414		DECAL - MOVING PARTS
	32	20	1000140		DECAL - FEDERAL YELLOW
	33	1	1100258		DECAL - BLACK
	34	1	1100115-032		UNIT CHECK INSPECTION SHEET
	35	8	151-543		PAINT - FEDERAL YELLOW
	37	1	1100263		PRIMER
	38	1	1001335		DECAL - OPERATING INSTRUCTIONS
	39	1	1001351		DECAL - FRAME LINES (ENGINE SHROUD)
	40	1	S406231		DECAL - EXPLOSIVE GASES
	41	1	1100206		MANUAL - PETTIBONE O&M
	42	1	1100219		MANUAL - PETTIBONE PARTS
	43	1	1100255		MANUAL - SAFETY
	44	1	1000422		DECAL - OUTRIGGER OPERATION
	45	1	1100115-013		DECAL - LIGHT DESCRIPTION
	46	1	1001358		DECAL - SAVE LIVES
					PLATE - MFG BY SHUTTLELIFT
					DECAL - FRAME LINES (OIL TANK)
					TRANSMISSION TROUBLE SHOOTING MAN.

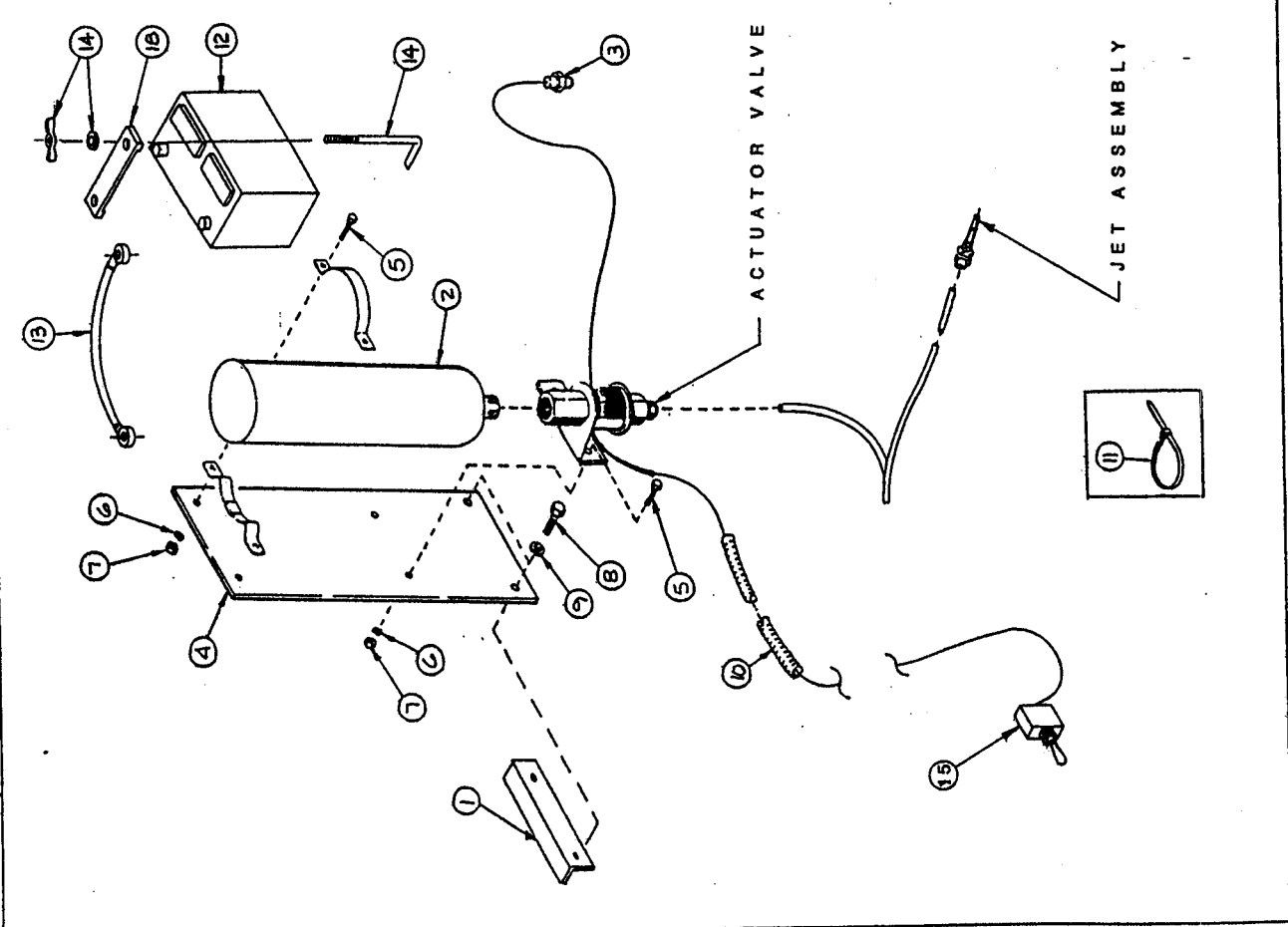
ITEMS MARKED WITH * SEE PARTS SUB PLATE FOR MORE DETAIL

ACCESSORY PLATES

INDEX - ACCESSORIES PLATES -

DESCRIPTION	PLATE	REV
CAB PARTS, ENCLOSED	A-0105	A
COLD START KIT	A-0101	A
COUNTERWEIGHT, REAR	A-0117	A
HEATER, DEFROSTER	A-0111	B
HITCH, FRONT	A-0108	A
HITCH, REAR	A-0107	A
HOOK & BALL, 1 PART LINE	A-0115	C
JIB ASSEMBLY - 10 FT	A-0120	B
JIB ASSEMBLY - 8 FT	A-0119	B
LIFTING LUGS	A-0106	B
LIGHT, STROBE	A-0113	A
LIGHTS, UPPER WORK	A-0118	A
REAR HITCH - MILITARY - MS 51118	A-0109	A
SOUND REDUCTION PACKAGE	A-0112	A
SPARE TIRE - FRONT (2 & 4 WHL STEER) (HURTH AXLE)	A-0104	D
SPARE TIRE - FRONT (2 WHL STEER) (ROCKWELL AXLE)	A-0103	C
SPARE TIRE - REAR (2 & 4 WHL STEER)	A-0102	B
WINCH ANTI-DOUBLE BLOCKING CUTOUT	A-0116	A
WINCH, BELOW DECK	A-0114	A

REV: A COLD START KIT 3330E A-0101



SERVICE / PARTS BILL OF MATERIAL

PLATE	ITEM	QTY	PART NO	A	DESCRIPTION
A-0101	1	1	1000029	*	COLD START KIT
	2	1	1000030		ANGLE - MOUNTING
	3	1	1000063		KIT - COLD START
	4	1	1100021		THERMOSTAT - COLD STSRT
	5	4	113-103		PLATE - MOUNTING
	6	4	195-521		BOLT - 5/16 X 1.00 NC HEX
	7	4	131-69		WASHER - FLAT 5/16 (.344-.688)
	8	2	113-206		NUT - LOCK 5/16 NC
	9	2	192-21		BOLT - 3/8 X 0.75 NC HEX
	10	1	S119695		WASHER - LOCK 3/8
	11	4	10001048		LOOM - 30"
	12	1	S100895		TIE - NYLON
	13	2	1001294		BATTERY - 12V, 90A
	14	2	S402776		CABLE - BATTERY JUMPER
	15	1	1001208		BOLT - BATTERY HOLD DOWN
	18	1	1001099		SWITCH - SPST, MOM
					BRACKET - BATTERY HOLD DOWN

REV BON CHANGE
A

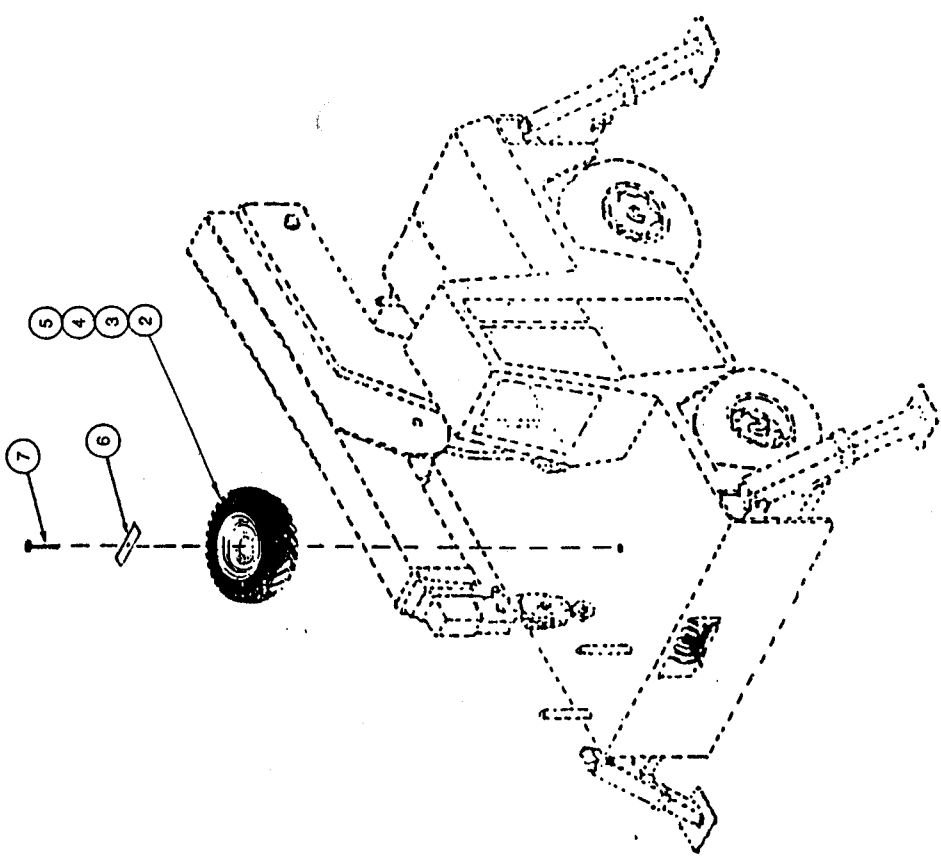
ITEMS MARKED WITH * SEE PARTS SUB PLATE FOR MORE DETAIL

02/09/8

REV: C SPARE WHEEL - FRONT (2 WHEEL STEER) (ROCKWELL AXLE) A-0103

SERVICE / PARTS BILL OF MATERIAL

PLATE	ITEM	QTY	PART NO	A	DESCRIPTION	REV	BON CHANGE
A-0103					SPARE TIRE - FRONT (2 WHL STEER)		C
	2	1	S27630		(ROCKWELL AXLE)		
	3	1	S48964		TIRE - 10.00 X 15 - 12PLY (PURCH. LOCALLY)		
	4	1	S48962		FLAP - 10.00 X 15 (PURCH. LOCALLY)		
	5	1	S515533M1		TUBE - 10.00 X 15 (PURCH. LOCALLY)		
	6	1	S239216		RIM - FRONT		
	7	1	113-448		BAR		
					BOLT - 1/2 X 7.00 NC HEX		



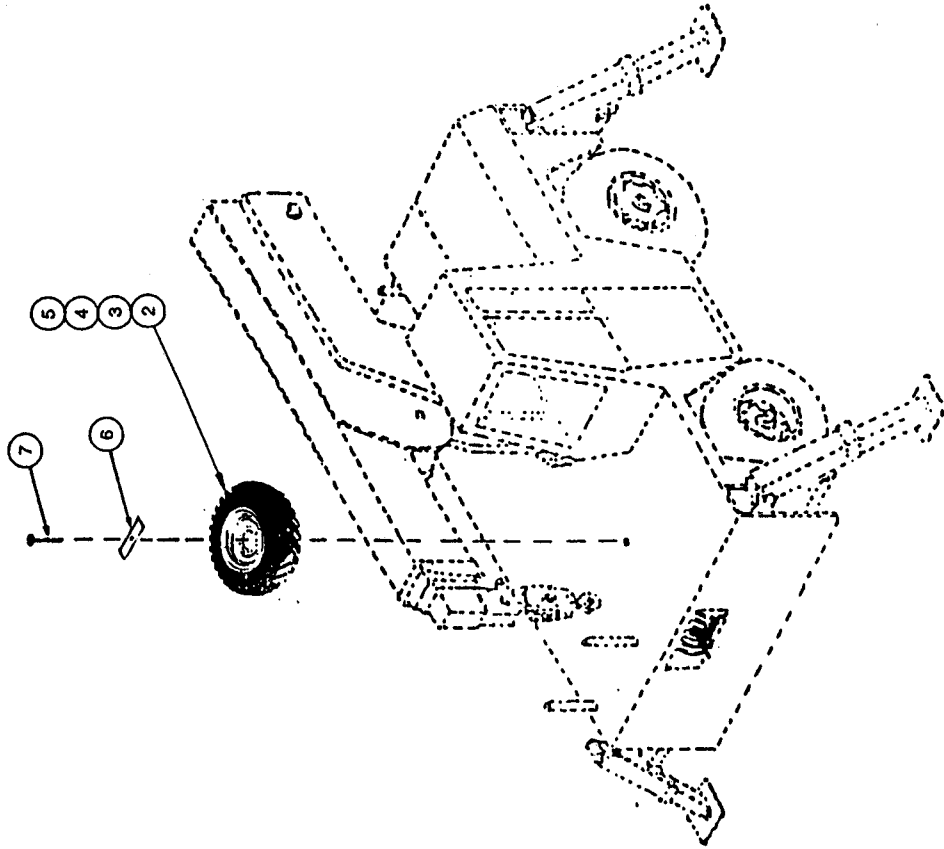
ITEMS MARKED WITH * SEE PARTS SUB PLATE FOR MORE DETAIL

REV: D SPARE WHEEL - FRONT (2 & 4 WHL STEER) (HURTH AXLE) A-0104

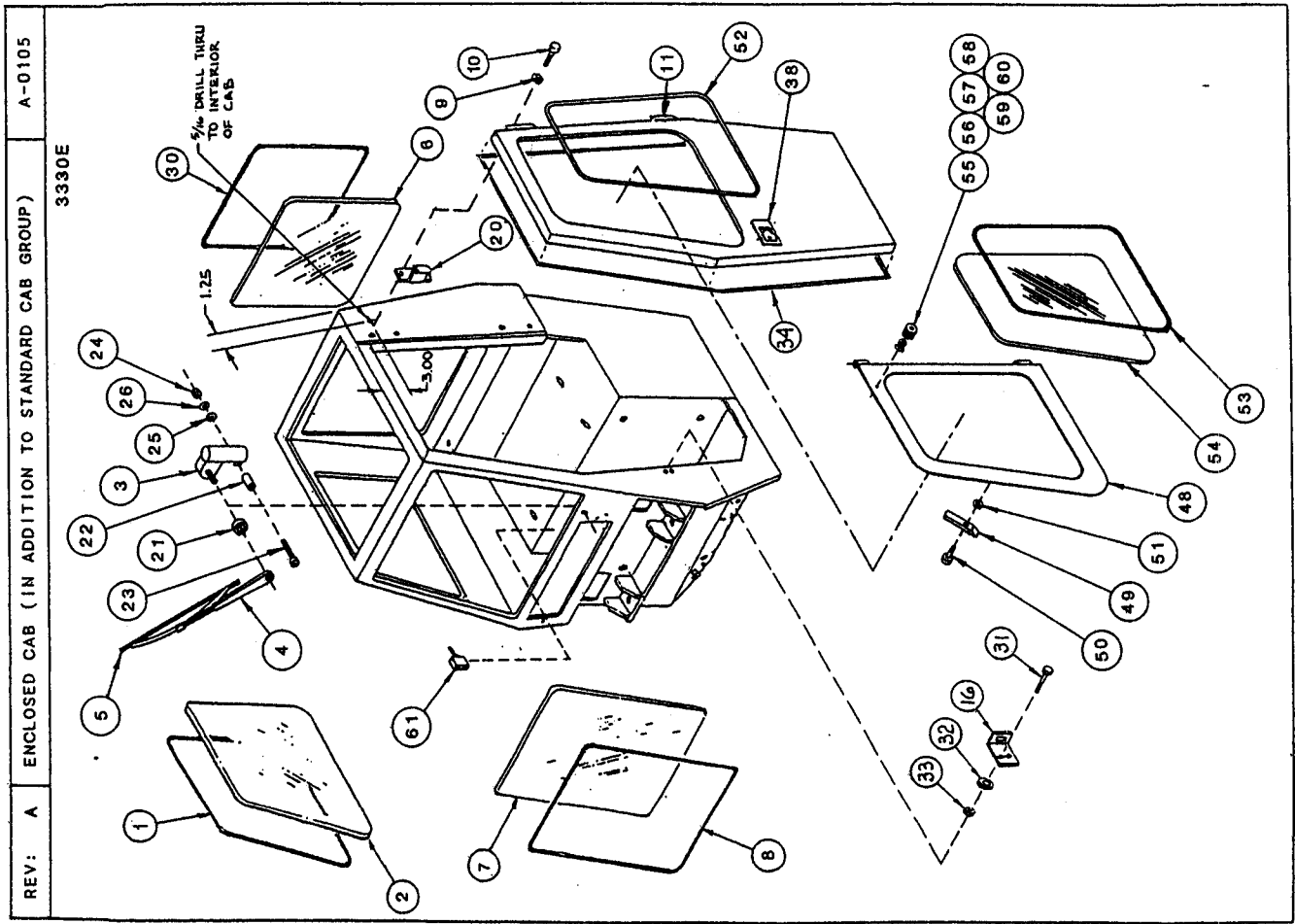
SERVICE / PARTS BILL OF MATERIAL

PLATE	ITEM	QTY	PART NO	A	DESCRIPTION	REV	BON	CHANGE
A-0104					SPARE TIRE - FRONT (2 & 4 WHL STEER)	D		

- | | | | | | |
|---|---|-----------|--|--|--|
| 2 | 1 | S27630 | | | (HURTH AXLE) |
| 3 | 1 | S48964 | | | TIRE - 10.00 X 15 - 12PLY (PURCH. LOCALLY) |
| 4 | 1 | S48962 | | | FLAP - 10.00 X 15 (PURCH. LOCALLY) |
| 5 | 1 | 1200032M1 | | | TUBE - 10.00 X 15 (PURCH. LOCALLY) |
| 6 | 1 | S239216 | | | RIM - FRONT |
| 7 | 1 | 113-436 | | | BAR BOLT - 1/2 X 5.50 NC HEX |



ITEMS MARKED WITH * SEE PARTS SUB PLATE FOR MORE DETAIL



REV: A ENCLOSED CAB (IN ADDITION TO STANDARD CAB GROUP) A-0105
 3330E

SERVICE / PARTS BILL OF MATERIAL

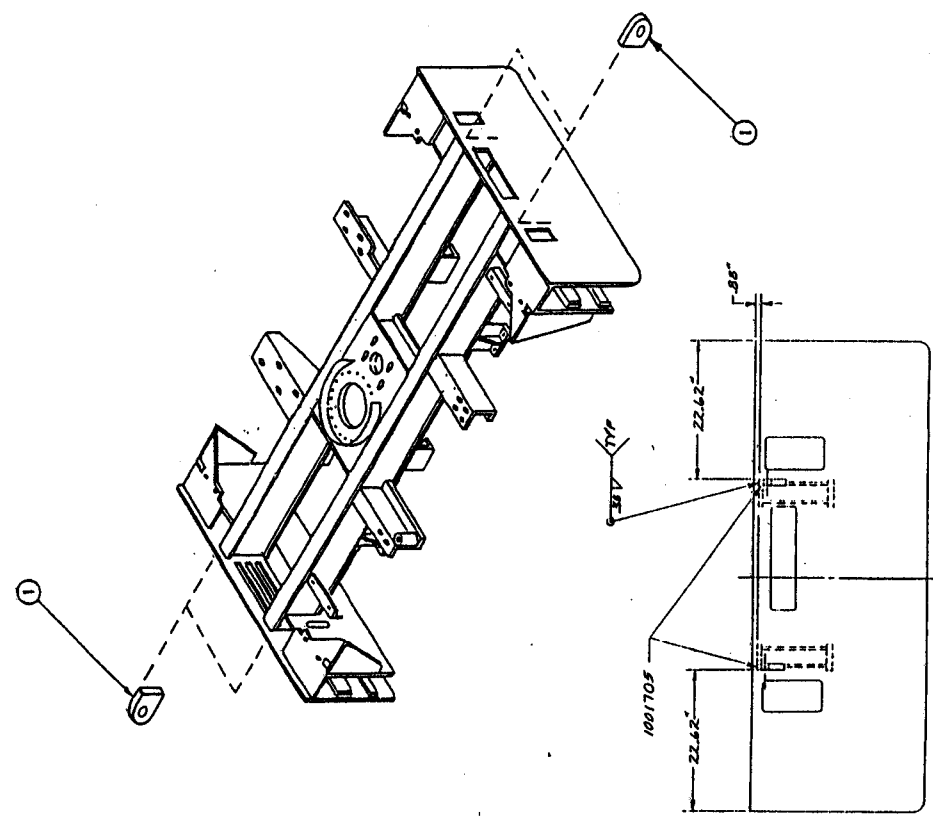
PLATE	ITEM	QTY	PART NO	A	DESCRIPTION
A-0105	1	1	S118384-084	A	CAB PARTS, ENCLOSED
	2	1	1100102		MOLDING
	3	1	1000340		GLASS - RIGHT SIDE (PURCH. LOCALLY)
	4	1	F42721		..MOTOR - WIPER
	5	1	1001198		ARM ASSEMBLY - WIPER
	6	1	1100103		BLADE - WIPER
	7	1	1100285		GLASS - REAR (PURCH. LOCALLY)
	8	1	S118384-095		GLASS - FRONT (PURCH. LOCALLY)
	9	1	192-23		MOLDING - FRONT WINDOW
	10	4	113-424		WASHER - LOCK 1/2
	11	1	1300070		BOLT - 1/2 X 1.00 NC HEX
	12	1	1001298		DOOR ASSEMBLY
	13	1	1001298		SWITCH
	16	1	S115055		LATCH
	20	2	S238796		HINGE ASSEMBLY
	21	1	1000097		SPACER 1/2
	22	1	1000098		SPACER TUBE
	23	1	182-149		SCREW - #10 X 1.00 NF PAN HD
	24	1	129-37		NUT - #10 NF
	25	1	195-513		WASHER - FLAT #10 (.219-.500)
	26	1	192-18		WASHER - LOCK 3/16
	27	1	113-206		BOLT - 3/8 X 0.75 NC HEX
	28	1	192-21		WASHER - LOCK 3/8
	29	1	195-104		WASHER - FLAT 3/8 (.438-1.000)
	30	1	S118384-069		MOLDING
	31	2	113-102		BOLT - 5/16 X 0.75 NC HEX
	32	1	195-103		WASHER - FLAT 5/16
	33	2	131-464		NUT - JAM LOCK 5/16 NC
	34	1	1000183-180		SEAL-DOOR
	38	1	1100202		LATCH - DOOR
	48	1	1200147		PANEL - WINDOW
	49	1	1001290		BAR
	50	1	1001289		SCREW - SHOULDER
	51	1	1001563		WASHER
	52	1	1000183-110		SEAL-WINDOW
	53	1	S118384-100		MOLDING
	54	1	1100286		GLASS-SWING PANEL (PURCH. LOCALLY)
	55	1	1001330		DOOR HOLDER
	56	1	113-17		BOLT - 1/4 X 1.25 NC HEX
	57	1	113-122		BOLT - 5/16 X 1.50 NC HEX
	58	1	195-518		WASHER - FLAT 1/4 (.281-.625)
	59	1	195-521		WASHER - FLAT 5/16 (.344-.688)
	60	1	131-71		NUT - LOCK 1/4 NC
	61	1	1001193		..SWITCH, WINDSHIELD WIPER

ITEMS MARKED WITH * SEE PARTS SUB PLATE FOR MORE DETAIL

REV: B LIFTING LUGS 3330E A-0106

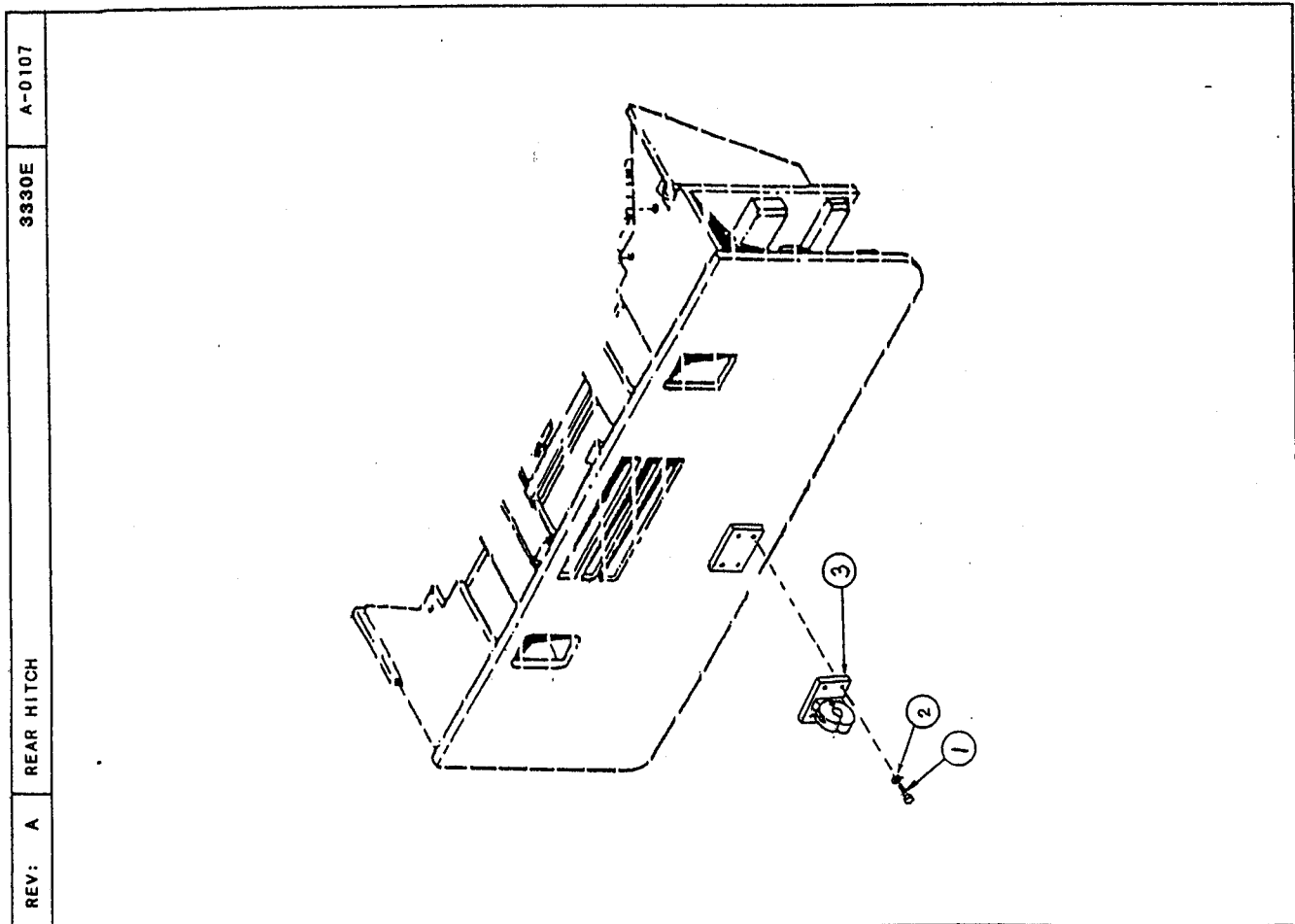
SERVICE / PARTS BILL OF MATERIAL

PLATE	ITEM	QTY	PART NO	A	DESCRIPTION	REV	BON CHANGE
A-0106	1	4	1001705	A	LIFTING LUGS	B	
					LUG - LIFTING		



ITEMS MARKED WITH * SEE PARTS SUB PLATE FOR MORE DETAIL

02/11/95



REV: A REAR HITCH 3330E A-0107

SERVICE / PARTS BILL OF MATERIAL

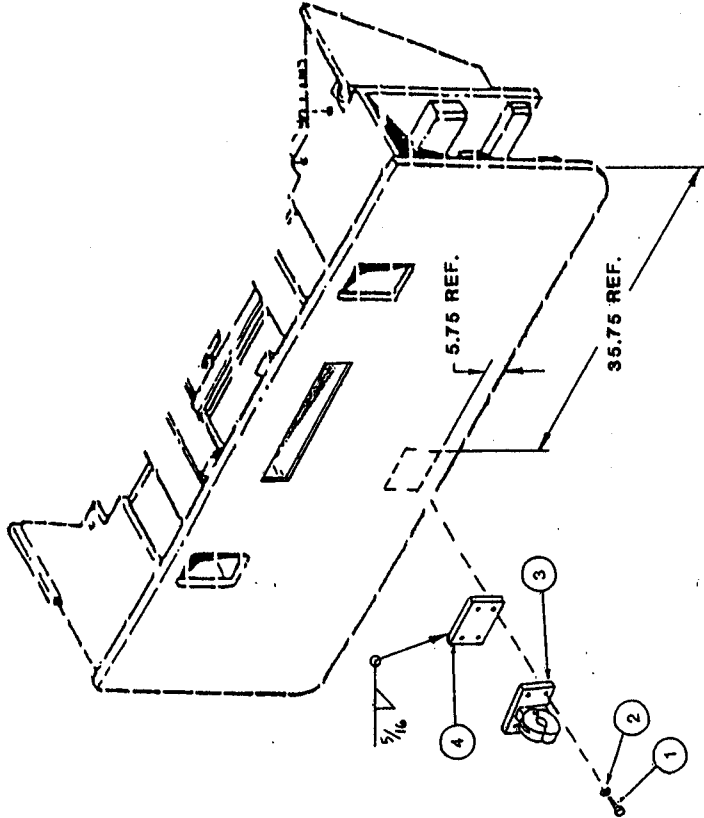
PLATE	ITEM	QTY	PART NO	DESCRIPTION	REV	BON CHANGE
A-0107				REAR HITCH	A	
	1	4	113-417	BOLT - 1/2 X 1.25 NC HEX		
	2	4	192-23	WASHER - LOCK 1/2		
	3	1	S32158	* HITCH		

ITEMS MARKED WITH * SEE PARTS SUB PLATE FOR MORE DETAIL

REV: A FRONT HITCH S330E A-0108

SERVICE / PARTS BILL OF MATERIAL

PLATE	ITEM	QTY	PART NO	A	DESCRIPTION	REV	BON CHANGE
A-0108					FRONT HITCH		
	1	4	113-417		BOLT - 1/2 X 1.25 NC HEX		
	2	4	192-23		WASHER - LOCK 1/2		
	3	1	S32158	*	HITCH		
	4	1	S233687		BLOCK - HITCH MOUNTING		

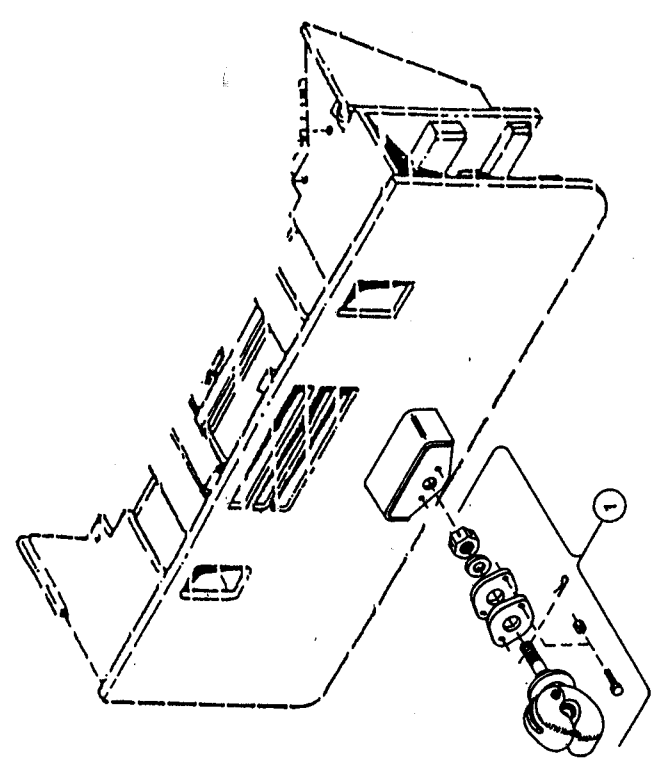


ITEMS MARKED WITH * SEE PARTS SUB PLATE FOR MORE DETAIL

REV: A REAR HITCH - MILITARY - MS 51118 3330E A-0109

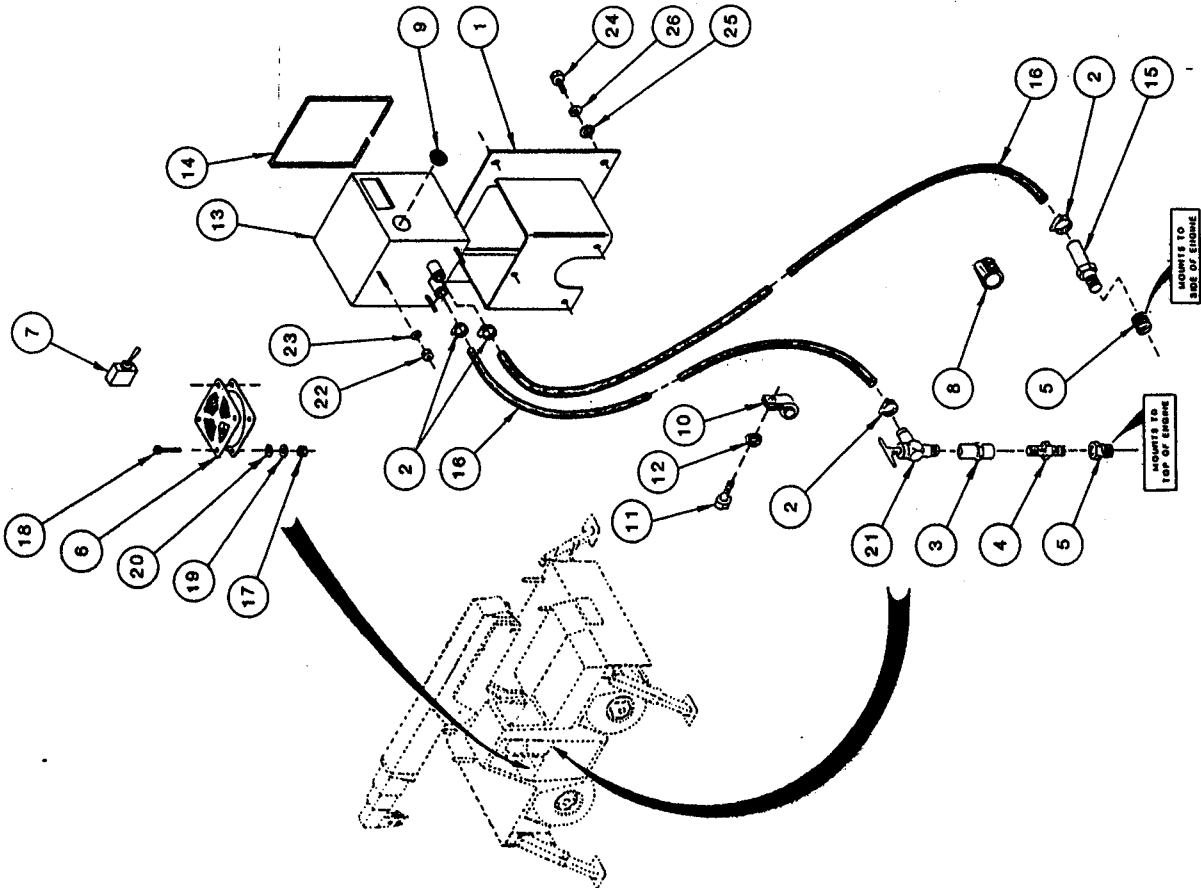
SERVICE / PARTS BILL OF MATERIAL

PLATE	ITEM	QTY	PART NO	A	DESCRIPTION	REV	BON CHANGE
A-0109	1	1	1001103	A	REAR HITCH - MILITARY - MS 51118		
					REAR HITCH, HEAVY DUTY		



ITEMS MARKED WITH * SEE PARTS SUB PLATE FOR MORE DETAIL

REV. A HEATER, DEFROSTER 3330E A-0111



SERVICE / PARTS BILL OF MATERIAL

PLATE	ITEM	QTY	PART NO	DESCRIPTION
A-0111	1	1	1200139	HEATER, DEFROSTER
	2	4	214-253	SHEET - HEATER PANEL
	3	1	217-1102	CLAMP - HOSE, SAE #10 (1.06-0.56)
	4	1	217-1081	COUPLING - 3/8 NPT HEX
	5	2	221-1089	NIPPLE - MALE PIPE 3/8 NPT
	6	1	1001276	BUSHING - REDUCER 1/2 - 3/8 NPT
	7	1	1000366	FAN - DEFROSTER
	8	1	S120027	SWITCH - DPDT MAIN
	9	1	1001336	HOSE - RUBBER 2.50 X 3.00
	10	2	R14668	PLUG - SNAP
	11	2	813-12025	BOLT METRIC HEX HD M12-1.75 X 25 LG
	12	2	192-23	WASHER - LOCK 1/2
	13	1	1001185	HEATER / DEFROSTER - CAB
	14	1	1001337-036	TRIM SEAL - 36"
	15	1	1001347	FITTING, HEATER
	16	2	1001348	HOSE, HEATER 5/8" X 55"
	17	2	129-15	NUT - #6 NC
	18	2	173-69	RND HD MACH SCR 6-32 X 1.50"
	19	2	192-15	WASHER - LOCK #6
	20	2	195-507	WASHER - FLAT #6
	21	1	S89777	VALVE
	22	3	131-69	NUT - LOCK 5/16 NC
	23	3	195-103	WASHER - FLAT 5/16
	24	4	113-206	BOLT - 3/8 X 0.75 NC HEX
	25	4	195-104	WASHER - FLAT 3/8 (.438-1.000)
	26	4	192-21	WASHER - LOCK 3/8

REV BON CHANGE A

ITEMS MARKED WITH * SEE PARTS SUB PLATE FOR MORE DETAIL

02/09/74

REV: A 3330E A-0112

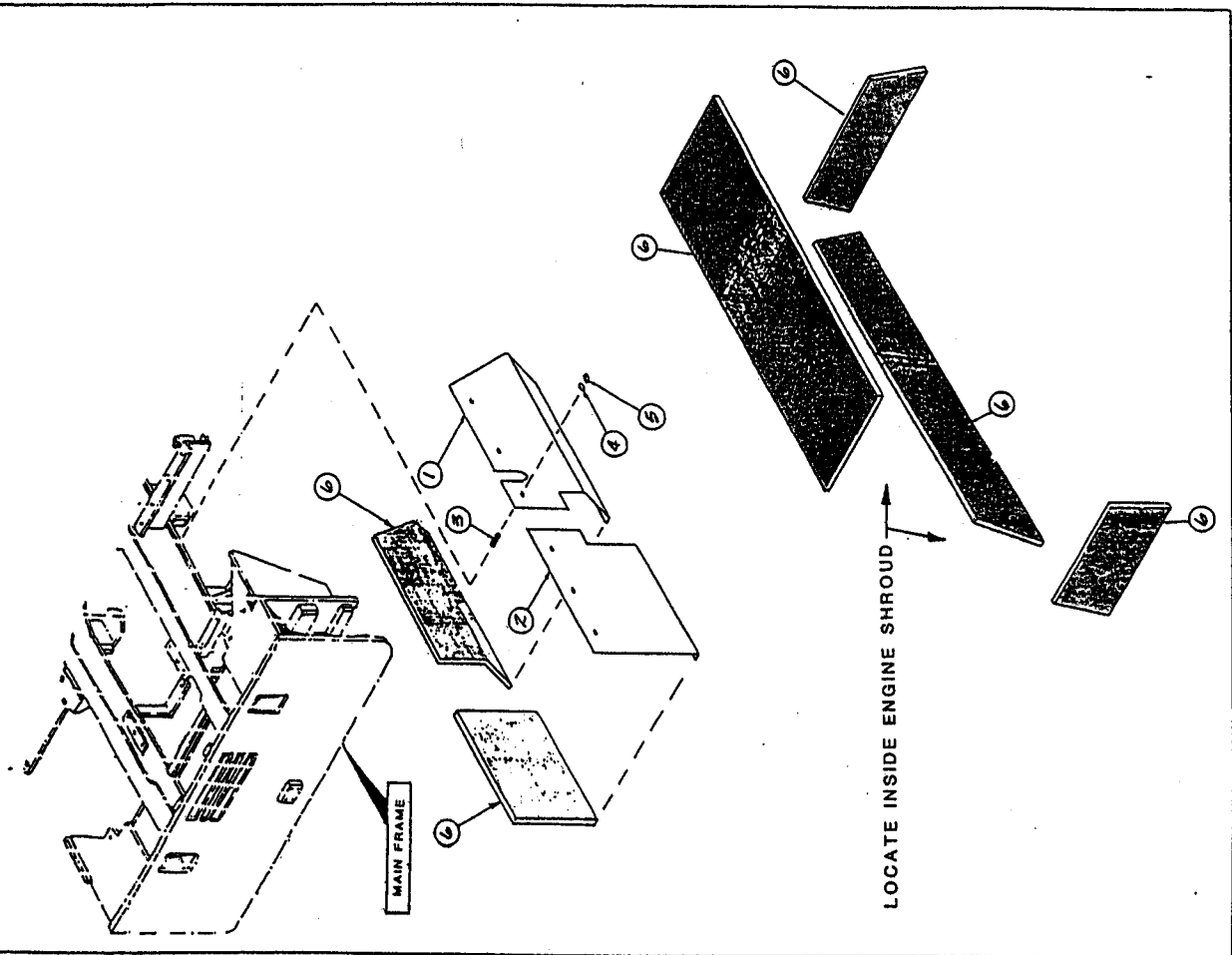
SOUND REDUCTION PACKAGE

SERVICE / PARTS BILL OF MATERIAL

PLATE	ITEM	QTY	PART NO	A	DESCRIPTION
A-0112	1	1	1000191		SOUND REDUCTION PACKAGE
	2	1	1000192		SOUND SKIRT - FRONT
	3	6	121-2087		SOUND SKIRT - REAR
	4	6	195-104		STUD - WELD 3/8 X 1.00
	5	6	131-52		WASHER - FLAT 3/8 (.438-1.000)
	6	1	1000193		NUT - LOCK 3/8 NC
					INSULATION - FOAM 1" THK X 37 SQFT

REV BON CHANGE

A

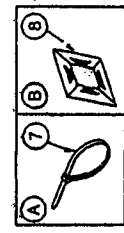
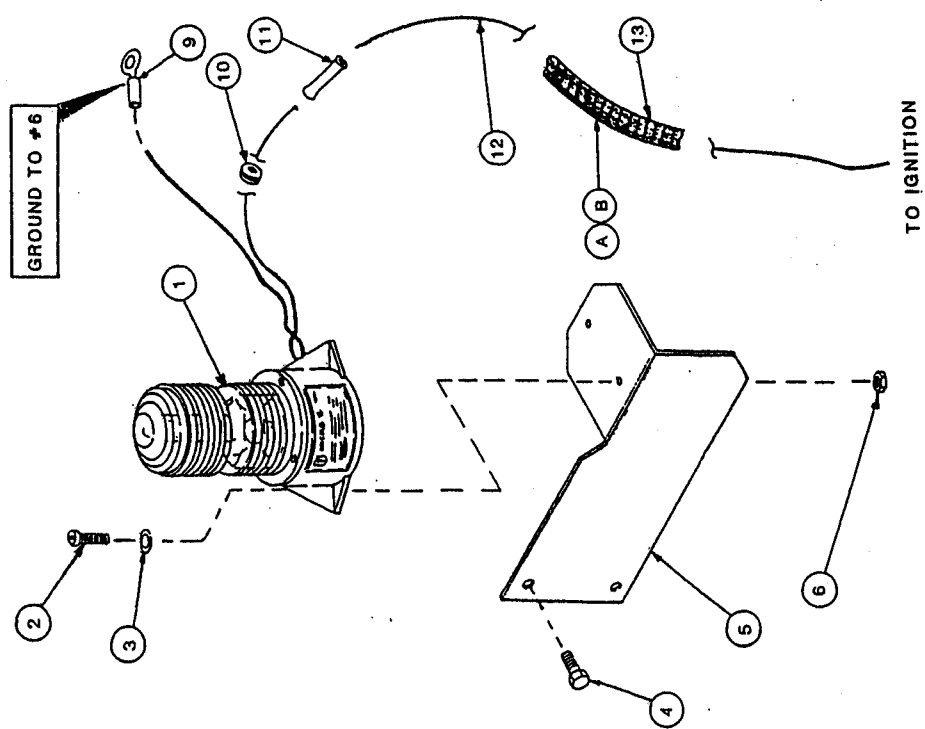


ITEMS MARKED WITH * SEE PARTS SUB PLATE FOR MORE DETAIL

SERVICE / PARTS BILL OF MATERIAL

PLATE	ITEM	QTY	PART NO	A	DESCRIPTION	REV	BON CHANGE
A-0113						A	

1	1	1	1000051	*	STROBE LIGHT - AMBER		
2	2	2	173-97		SCREW - #10 X 0.50		
3	3	3	195-513		WASHER - FLAT #10 (.219-.500)		
4	2	2	113-417		BOLT - 1/2 X 1.25 NC HEX		
5	1	1	1100035		BRACKET - LIGHT MOUNTING		
6	2	2	129-17		NUT - #10 NC		
7	13	13	1000104B		TIE - NYLON		
8	13	13	1000103		MOUNT - 4 WAY 3/4		
9	1	1	223-50		EYELET		
10	1	1	S79350		GROMMET		
11	1	1	223-250		CONNECTOR		
12	8	8	1000086		WIRE - 14 GA X 8.0 FT		
13	8	8	1000105B		LOOM - 3/8		

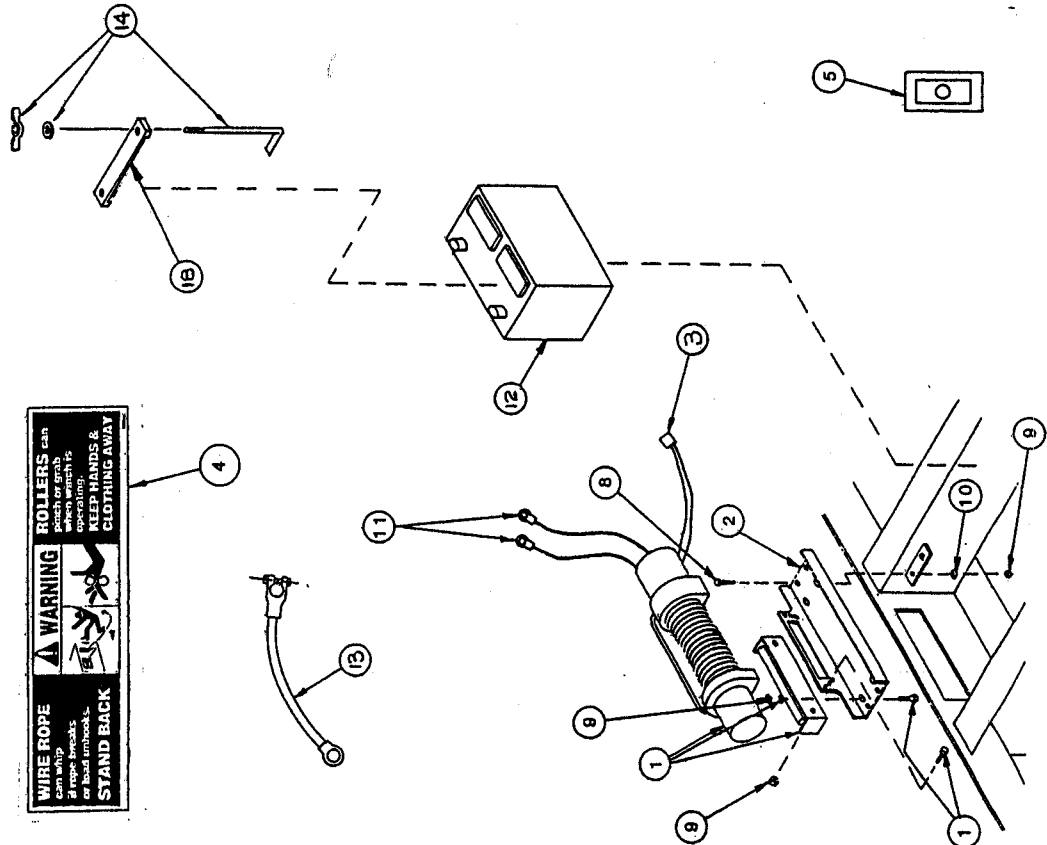


ITEMS MARKED WITH * SEE PARTS SUB PLATE FOR MORE DETAIL

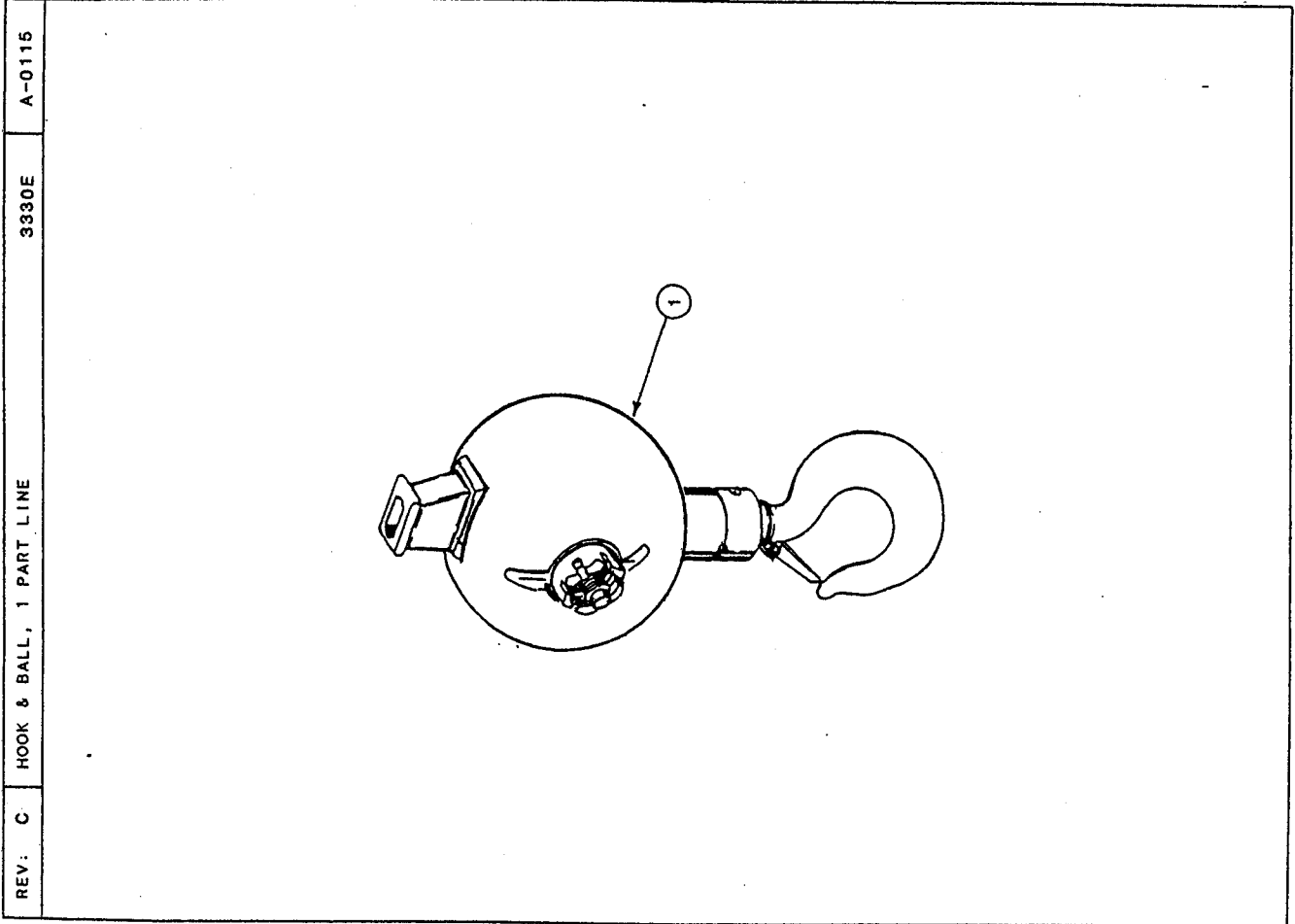
SERVICE / PARTS BILL OF MATERIAL

PLATE	ITEM	QTY	PART NO	DESCRIPTION	REV	BON CHANGE
A-0114				BELOW DECK WINCH	A	

ITEM	QTY	PART NO	DESCRIPTION
1	1	1000343	WINCH - RECESSED ELECTRIC
2	1	1000344	CHANNEL - ELECTRIC RECESSED WINCH MOUNTING
3	1	1000427	HARNES - WINCH SOLENOID
4	1	1200160	DECAL - WINCH WARNING
5	1	S117471	SWITCH - TOGGLE
8	4	113-208	BOLT - 3/8 X 1.25 NC HEX
9	10	131-52	NUT - LOCK 3/8 NC
10	4	195-104	WASHER - FLAT 3/8 (.438-1.000)
11	2	1000424	LUG - BATTERY
12	1	S100895	BATTERY - 12V, 90A
13	2	1001294	CABLE - BATTERY JUMPER
14	2	S402776	BOLT - BATTERY HOLD DOWN
18	1	1001099	BRACKET - BATTERY HOLD DOWN



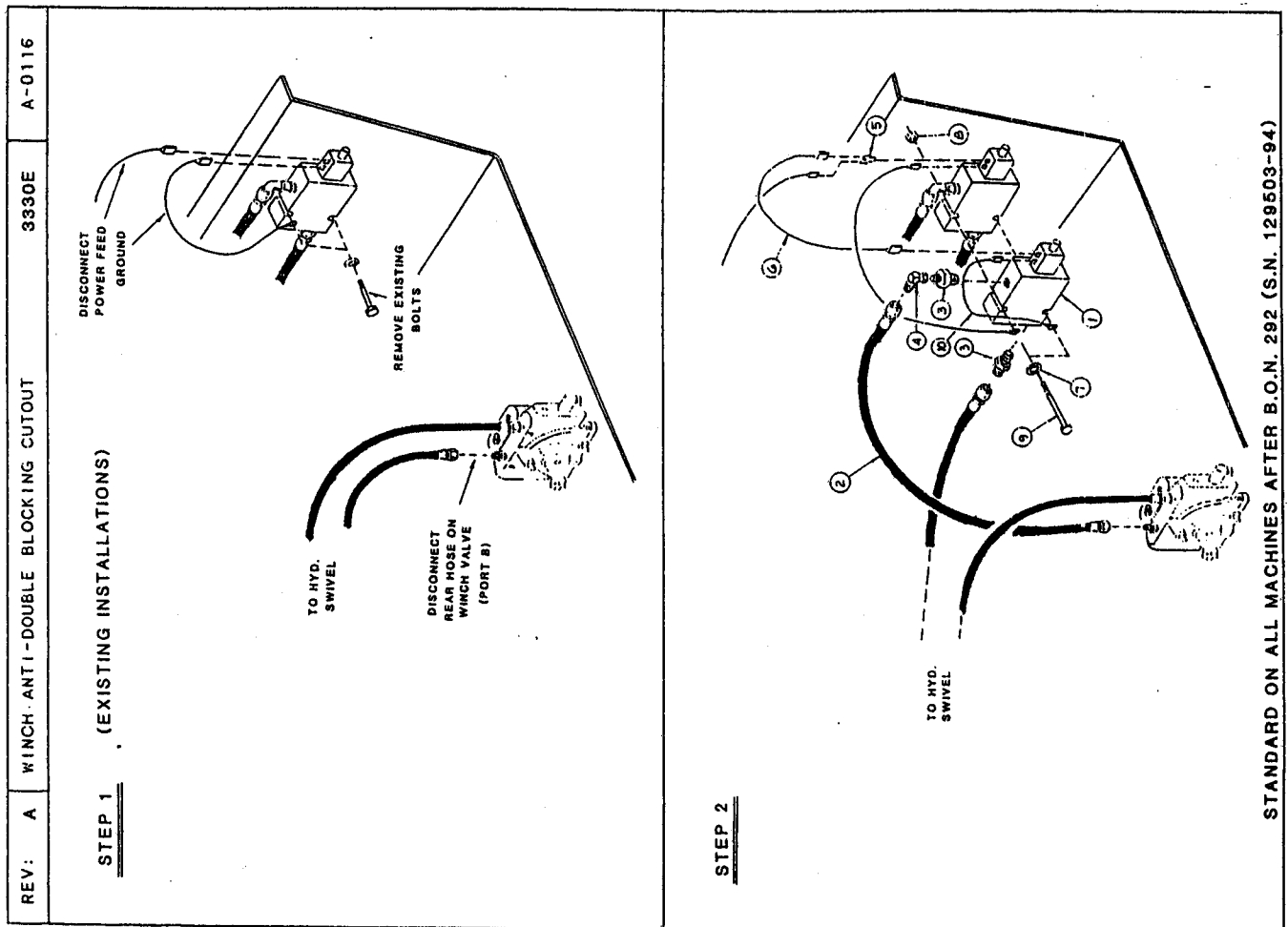
ITEMS MARKED WITH * SEE PARTS SUB PLATE FOR MORE DETAIL



SERVICE / PARTS BILL OF MATERIAL

PLATE	ITEM	QTY	PART NO	A	DESCRIPTION	REV	BON CHANGE
A-0115	1	1	S236044	*	HOOK & BALL, 1 PART LINE	C	

ITEMS MARKED WITH * SEE PARTS SUB PLATE FOR MORE DETAIL



REV: A WINCH-ANTI-DOUBLE BLOCKING CUTOUT 3330E A-0116

STEP 1 (EXISTING INSTALLATIONS)

SERVICE / PARTS BILL OF MATERIAL

PLATE	ITEM	QTY	PART NO	A	DESCRIPTION	REV	BON	CHANGE
A-0116					WINCH ANTI-DOUBLE BLOCKING CUTOUT			A
	1	1	1100054	*	VALVE - SOLENOID			
	2	1	S8578		HOSE - HYD 1/2 X 26			
	3	2	218-5063		CONNECTOR - 5/8 X 3/4 STR THD O-RING			
	4	1	218-5232		ELBOW - 5/8 (90 DEG) SWIVEL NUT			
	5	1	1000190		DISCONNECT - ADAPTER			
	6	1	1000772		WIRE ASSEMBLY			
	7	2	195-103		WASHER - FLAT 5/16			
	8	2	131-69		NUT - LOCK 5/16 NC			
	9	2	113-179		BOLT - 5/16 X 5.00 NC HEX			
	10	1	S209510		WIRE ASSEMBLY			

STEP 2

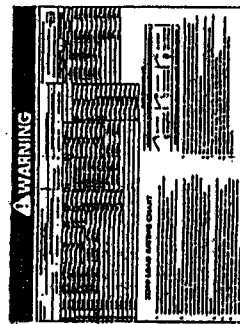
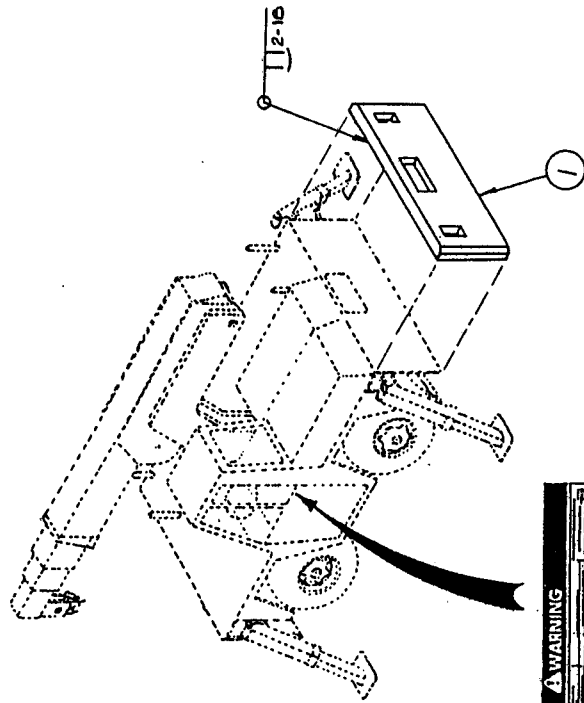
STANDARD ON ALL MACHINES AFTER B.O.N. 292 (S.N. 129503-94)

ITEMS MARKED WITH * SEE PARTS SUB PLATE FOR MORE DETAIL

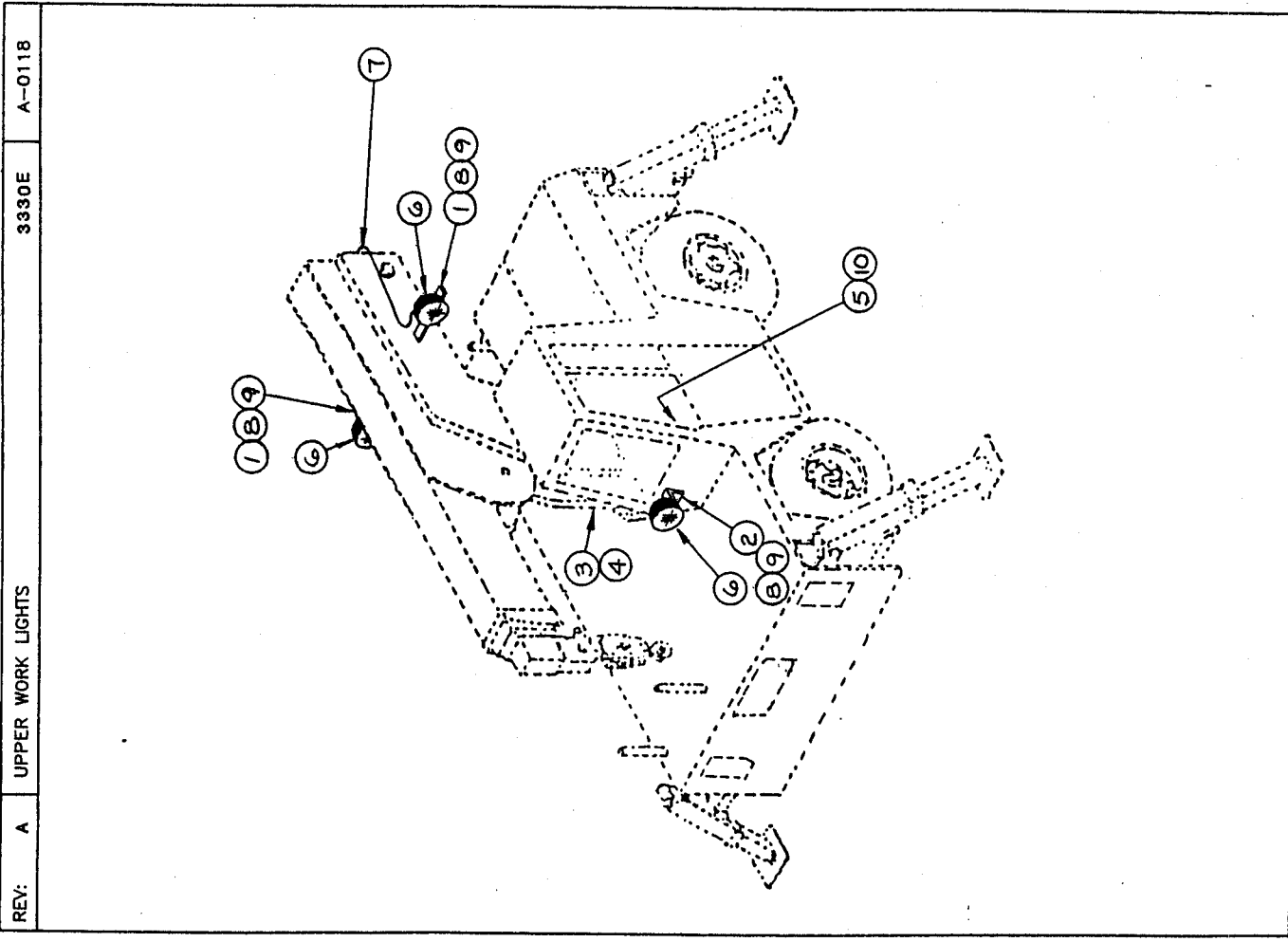
REV: A 3330E A-0117

SERVICE / PARTS BILL OF MATERIAL

PLATE	ITEM	QTY	PART NO	DESCRIPTION	REV	BON CHANGE
A-0117	1	1	1200084	COUNTERWEIGHT, REAR	A	
	2	1	1200153	COUNTERWEIGHT - REAR DECAL - LOAD CHART		



ITEMS MARKED WITH * SEE PARTS SUB PLATE FOR MORE DETAIL



REV: A

UPPER WORK LIGHTS

3330E

A-0118

SERVICE / PARTS BILL OF MATERIAL

PLATE	ITEM	QTY	PART NO	DESCRIPTION	REV	BON CHANGE
A-0118			A	UPPER WORK LIGHTS		
	1	2	1001057	BRACKET, LIGHT		
	2	1	1001123	BRACKET, LIGHT		
	3	1	S239135	BOX, ELEC		
	4	1	S106375	SWIVEL - ELECTRIC (2 POLE)		
	5	1	S16866	SWITCH		
	6	3	1000078	LIGHT		
	7	240	1000084	WIRE - #14 STRANDED (BLACK)		
	8	3	113-433	BOLT - 1/2 X 0.75 NC HEX		
	9	3	192-23	WASHER - LOCK 1/2		
	10	1	1001122	DECAL - WORK LIGHTS		

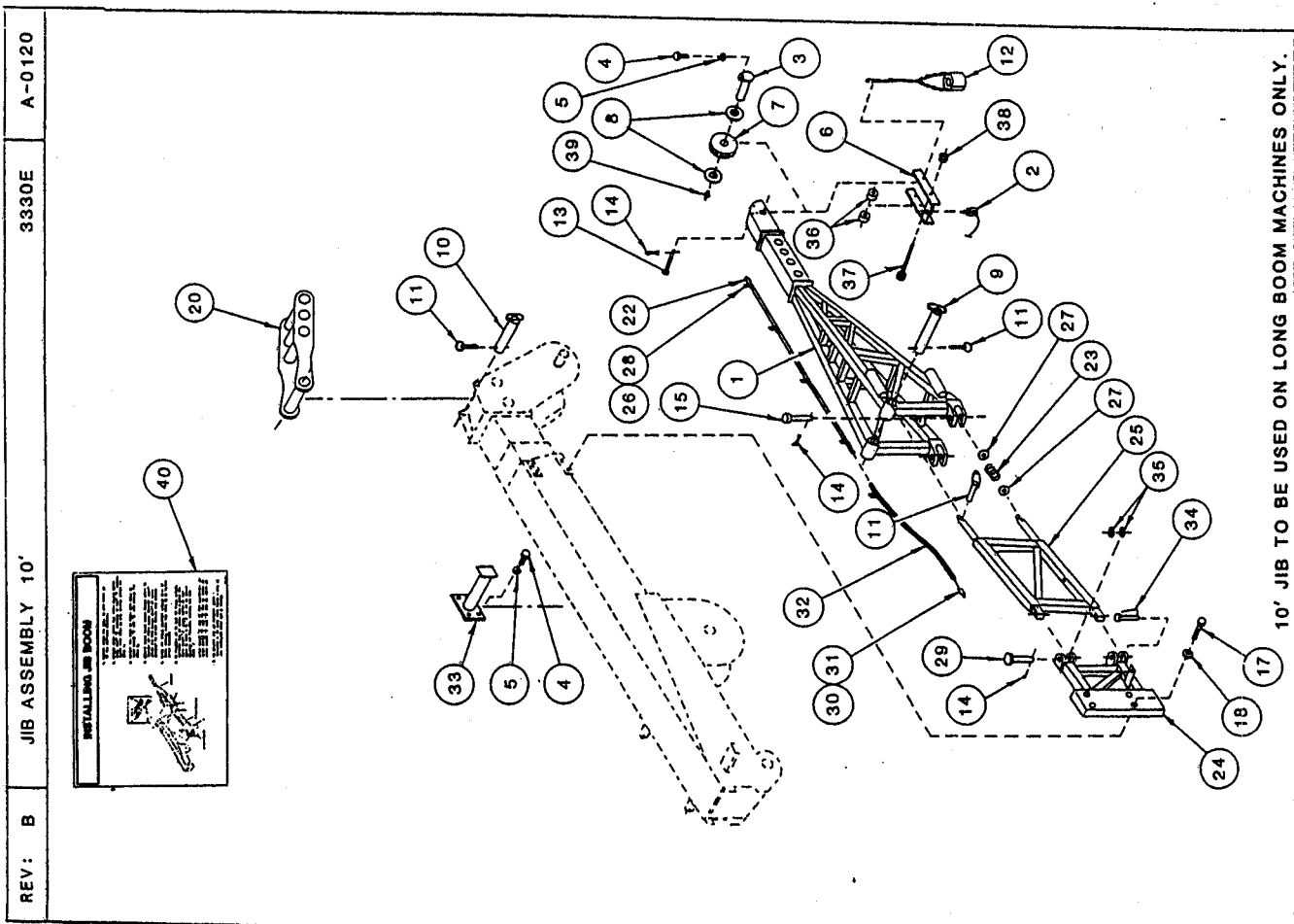
ITEMS MARKED WITH * SEE PARTS SUB PLATE FOR MORE DETAIL



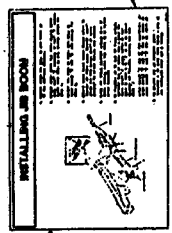
SERVICE / PARTS BILL OF MATERIAL

PLATE	ITEM	QTY	PART NO	A	DESCRIPTION	REV	BON CHANGE
A-0119	1	1	1300116		JIB ASSEMBLY - 8 FT	B	
	2	1	S82976		JIB FRAME - 8 FT		
	3	1	1100235		..MICROSWITCH		
	4	1	113-206		BOLT - 3/8 X 0.75 NC HEX		
	5	5	182-21		WASHER - LOCK 3/8		
	6	1	1200159		TRIP BAR - TWO BLOCK		
	7	1	S200211		SHEAVE ASSEMBLY		
	8	2	S109722		WASHER - NYLATRON SPACER		
	9	1	1100242		PIN ASSEMBLY		
	10	1	1100243		PIN ASSEMBLY		
	11	3	1001264		PIN - LYNCH		
	12	1	1001077		WEIGHT - TWO BLOCK		
	13	1	S10784		PIN - CLEVIS 3/8 X 3.016		
	14	5	132-69		PIN - COTTER 5/32 X 1.00		
	15	2	S10833		PIN - CLEVIS 5/8 X 3.766		
	17	4	113-257		BOLT - 3/8 X 2.50 NC HEX		
	18	4	195-104		WASHER - FLAT 3/8		
	20	1	1200142		LINK		
	22	1	1000076		HYD. TUBE 1/4" X 74"		
	23	1	1001309		SPRING - MED./HEAVY		
	24	1	1200162		HINGE BRACKET		
	25	1	1200163		SWING BRACKET		
	26	5	187-1513		TAP SCREW 1/4-20 X 1/2		
	27	2	196-55		WASHER 1.06 X 2.50		
	28	5	A38799		TUBE CLAMP		
	29	2	S10813		PIN, CLEVIS 1/2 X 2.391		
	30	1	S117294		TERMINAL TAB		
	31	1	S117295		TERMINAL RECEPTICAL		
	32	1	S119695		LOOM 30"		
	33	1	1200164		JIB REST 8'		
	34	2	S98905		PIN - SNAPPER		
	35	4	195-106		WASHER-FLAT 1/2"		
	36	2	1001333		SPACER		
	37	1	113-251		BOLT 3/8-16 X 7.50		
	38	1	131-52		NUT - LOCK 3/8 NC		
	39	1	219-1		FITTING - GREASE 1/8 NPT STR (COMMERCIAL)		
	40	1	1001712		FITTING - GREASE 1/8 NPT STR (MILITARY)		
		1	1200161		DECAL-JIB INSTALLATION		

ITEMS MARKED WITH * SEE PARTS SUB PLATE FOR MORE DETAIL



REV: B JIB ASSEMBLY 10' 3330E A-0120



10' JIB TO BE USED ON LONG BOOM MACHINES ONLY.

SERVICE / PARTS BILL OF MATERIAL

PLATE	ITEM	QTY	PART NO	A	DESCRIPTION
A-0120	1	1	1300117		JIB ASSEMBLY - 10 FT
	2	1	S82976		JIB FRAME - 10 FT
	3	1	1100235		..MICROSWITCH
	4	5	113-206		PIN - SHEAVE
	5	5	192-21		BOLT - 3/8 X 0.75 NC HEX
	6	1	S200159		WASHER - LOCK 3/8
	7	1	S200211		TRIP BAR - TWO BLOCK
	8	2	S109722		SHEAVE ASSEMBLY
	9	1	1100242		WASHER - NYLATRON SPACER
	10	1	1100243		PIN ASSEMBLY
	11	3	1001264		PIN - LYNCH
	12	1	1001077		WEIGHT - TWO BLOCK
	13	2	S10784		PIN - CLEVIS 3/8 X 3.016
	14	5	132-69		PIN - COTTER 5/32 X 1.00
	15	2	S10833		PIN - CLEVIS 5/8 X 3.766
	17	4	113-257		BOLT - 3/8 X 2.50 NC HEX
	18	4	195-104		WASHER - FLAT 3/8
	20	1	1200142		LINK
	22	1	1001586		TUBE - 1/4" X 98"
	23	1	1001309		SPRING - MED./HEAVY
	24	1	1200162		HINGE BRACKET
	25	1	1200163		SWING BRACKET
	26	5	187-1513		TAP SCREW 1/4-20 X 1/2
	27	5	196-55		WASHER 1.06 X 2.50
	28	5	A38799		TUBE CLAMP
	29	2	S10813		PIN, CLEVIS 1/2 X 2.391
	30	1	S117294		TERMINAL TAB
	31	1	S117295		TERMINAL RECEPTAL
	32	1	S119695		LOOM 30"
	33	1	1200157		JIB REST 10'
	34	2	S98905		PIN - SNAPPER
	35	4	195-106		WASHER-FLAT 1/2"
	36	2	1001333		SPACER
	37	1	113-251		BOLT 3/8-16 X 7.50
	38	1	131-52		NUT - LOCK 3/8 NC
	39	1	219-1		FITTING - GREASE 1/8 NPT STR
	40	1	1200161		FITTING - GREASE 1/8 NPT STR (COMMERCIAL) DECAL-JIB INSTALLATION (MILITARY)

ITEMS MARKED WITH * SEE PARTS SUB PLATE FOR MORE DETAIL

VENDOR PLATES

INDEX - PARTS SUB PLATES - NUMERIC

PART NO	DESCRIPTION
1000030	COLD START KIT
1000051	LIGHT, STROBE
1000106	AIR CLEANER ASSEMBLY, DIESEL ENGINES
1000114	AIR CLEANER ASSEMBLY, GAS ENGINES
1000209	MOTOR, HYDRAULIC SWING
1000343	WINCH, ELECTRIC, BELOW DECK
1000353	BRAKE, MASTER CYLINDER (4 WHEEL STEER)
1000372	MOTOR, HYDRAULIC HOIST
1000373	BRAKE, HYDRAULIC (HOIST)
1100051	PUMP, MAIN HYDRAULIC
1100054	VALVE, SOLENOID
1100096	VALVE, SOLENOID
1100097	VALVE, SOLENOID
1100098	VALVE, CONTROL (3 SECTION)
1100099	VALVE, CONTROL (1 SECTION)
1100109	BRAKE, CALIPER (4 WHEEL STEER)
1100110	HOOK, SHANK (INCLUDES LATCH)
1100138	AXLE, RIGID & STEERING DRIVE, HOUSING COVERS
1100139	AXLE, STEERING DRIVE, NoSPIN DIFFERENTIAL
1100140	AXLE, STEERING DRIVE, PLANETARY
1100141	AXLE, RIGID & STEER DRIVE, BRAKE with 10 DISKS
1100181	BRAKE ASSEMBLY
1100230	PUMP, MAIN HYDRAULIC
1100272	POWER UNIT, CUMMINS DIESEL 4B3.9
1100287	VALVE, COUNTERBALANCE
1100336	AXLE, RIGID DRIVE, NoSPIN DIFFERENTIAL
1100337	AXLE, RIGID DRIVE, PLANETARY
1200030	CYLINDER, STEERING
1200031	GEAR REDUCER, SWING
1200066	TANK ASSEMBLY, HYDRAULIC OIL
1200076	SWIVEL, HYDRAULIC, 7 PORT
1200077	CYLINDER, OUTRIGGER HORIZONTAL
1200125	SHAFT, DRIVE (4 WHEEL STEER)
1200127	SHAFT, DRIVE (2 WHEEL STEER)
1200165	CYLINDER, STEERING
1200166	CYLINDER, OUTRIGGER HORIZONTAL
1200174	DRIVE SHAFT ASSEMBLY (HURTH AXLES, RIGID & STEER)
1300002	AXLE, DRIVE with NoSPIN
1300024	AXLE, STEERING DRIVE with NoSPIN
1300059	GEAR REDUCER, HOIST
1300083	CYLINDER, CROWD (LONG)
1300092	TRANSMISSION, POWERSHIFT
1300109	SWIVEL, HYDRAULIC, 7 PORT
1300134	CYLINDER, OUTRIGGER VERTICAL
1300138	CYLINDER, LIFT
1300141	AXLE, RIGID DRIVE with NoSPIN
1300143	CYLINDER, CROWD (STANDARD)
1300147	BRAKE ACTUATOR, POWER
1500217	CORD REEL, BOOM
1500287	CORD REEL, LONG BOOM
S200211	SHEAVE ASSEMBLY
S227285	FILTER, HYDRAULIC OIL

INDEX - PARTS SUB PLATES - NUMERIC

PART NO	DESCRIPTION
S232846	VALVE, COUNTERBALANCE (OBSOLETE, USE 1100287)
S233038	SHEAVE ASSEMBLY
S236044	HOOK and BALL,
S236479	AXLE, DRIVE, BRAKE ASSEMBLY
S237326	ORBITROL, STEERING
S240090	VALVE, SOLENOID
S242884	BRAKE, MASTER CYLINDER (2 WHEEL STEER)
S242975	BRAKE, CALIPER (2 WHEEL STEER)
S32158	HITCH ASSEMBLY
S514972	CYLINDER, OUTRIGGER HORIZONTAL
S610101	CYLINDER, CROWD
S610429	CYLINDER, OUTRIGGER VERTICAL
S615282	CYLINDER, LIFT

INDEX - PARTS SUB PLATES - ALPHABETIC

DESCRIPTION	PART NO
AIR CLEANER ASSEMBLY, DIESEL ENGINES	1000106
AIR CLEANER ASSEMBLY, GAS ENGINES	1000114
AXLE, DRIVE with NoSPIN	1300002
AXLE, DRIVE, BRAKE ASSEMBLY	S236479
AXLE, RIGID & STEERING DRIVE, HOUSING COVERS	1100138
AXLE, RIGID DRIVE with NoSPIN	1300141
AXLE, RIGID DRIVE, NoSPIN DIFFERENTIAL	1100336
AXLE, RIGID DRIVE, PLANETARY	1100337
AXLE, STEERING DRIVE with NoSPIN	1300024
AXLE, STEERING DRIVE, NoSPIN DIFFERENTIAL	1100139
AXLE, STEERING DRIVE, PLANETARY	1100140
AXLE, RIGID & STEER DRIVE, BRAKE with 10 DISKS	1100141
BRAKE ACTUATOR, POWER	1300147
BRAKE ASSEMBLY	1100181
BRAKE, CALIPER (2 WHEEL STEER)	S242975
BRAKE, CALIPER (4 WHEEL STEER)	1100109
BRAKE, HYDRAULIC (HOIST)	1000373
BRAKE, MASTER CYLINDER (2 WHEEL STEER)	S242884
BRAKE, MASTER CYLINDER (4 WHEEL STEER)	1000353
COLD START KIT	1000030
CORD REEL, BOOM	1500217
CORD REEL, LONG BOOM	1500287
CYLINDER, CROWD	S610101
CYLINDER, CROWD (LONG)	1300083
CYLINDER, CROWD (STANDARD)	1300143
CYLINDER, LIFT	1300138
CYLINDER, LIFT	S615282
CYLINDER, OUTRIGGER HORIZONTAL	1200077
CYLINDER, OUTRIGGER HORIZONTAL	1200166
CYLINDER, OUTRIGGER HORIZONTAL	S514972
CYLINDER, OUTRIGGER VERTICAL	S610429
CYLINDER, OUTRIGGER VERTICAL	1300134
CYLINDER, STEERING	1200165
CYLINDER, STEERING	1200030
DRIVE SHAFT ASSEMBLY (HURTH AXLES, RIGID & STEER)	1200174
FILTER, HYDRAULIC OIL	S227285
GEAR REDUCER, HOIST	1300059
GEAR REDUCER, SWING	1200031
HITCH ASSEMBLY	S32158
HOOK and BALL,	S236044
HOOK, SHANK (INCLUDES LATCH)	1100110
LIGHT, STROBE	1000051
MOTOR, HYDRAULIC HOIST	1000372
MOTOR, HYDRAULIC SWING	1000209
ORBITROL, STEERING	S237326
POWER UNIT, CUMMINS DIESEL 4B3.9	1100272
PUMP, MAIN HYDRAULIC	1100051
PUMP, MAIN HYDRAULIC	1100230
SHAFT, DRIVE (2 WHEEL STEER)	1200127
SHAFT, DRIVE (4 WHEEL STEER)	1200125
SHEAVE ASSEMBLY	S233038
SHEAVE ASSEMBLY	S200211

03/17/95

INDEX - PARTS SUB PLATES - ALPHABETIC

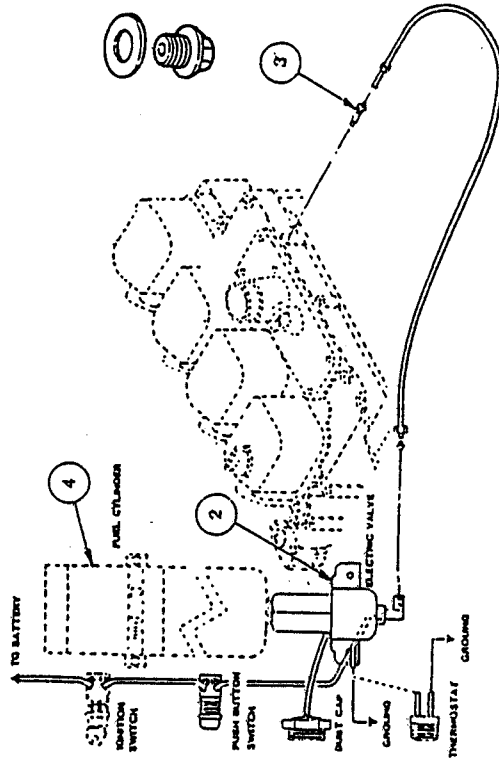
DESCRIPTION	PART NO
SWIVEL, HYDRAULIC, 7 PORT	1200076
SWIVEL, HYDRAULIC, 7 PORT	1300109
TANK ASSEMBLY, HYDRAULIC OIL	1200066
TRANSMISSION, POWERSHIFT	1300092
VALVE, CONTROL (1 SECTION)	1100099
VALVE, CONTROL (3 SECTION)	1100098
VALVE, COUNTERBALANCE	1100287
VALVE, COUNTERBALANCE (OBSOLETE, USE 1100287)	S232846
VALVE, SOLENOID	1100096
VALVE, SOLENOID	1100097
VALVE, SOLENOID	1100054
VALVE, SOLENOID	S240090
WINCH, ELECTRIC, BELOW DECK	1000343

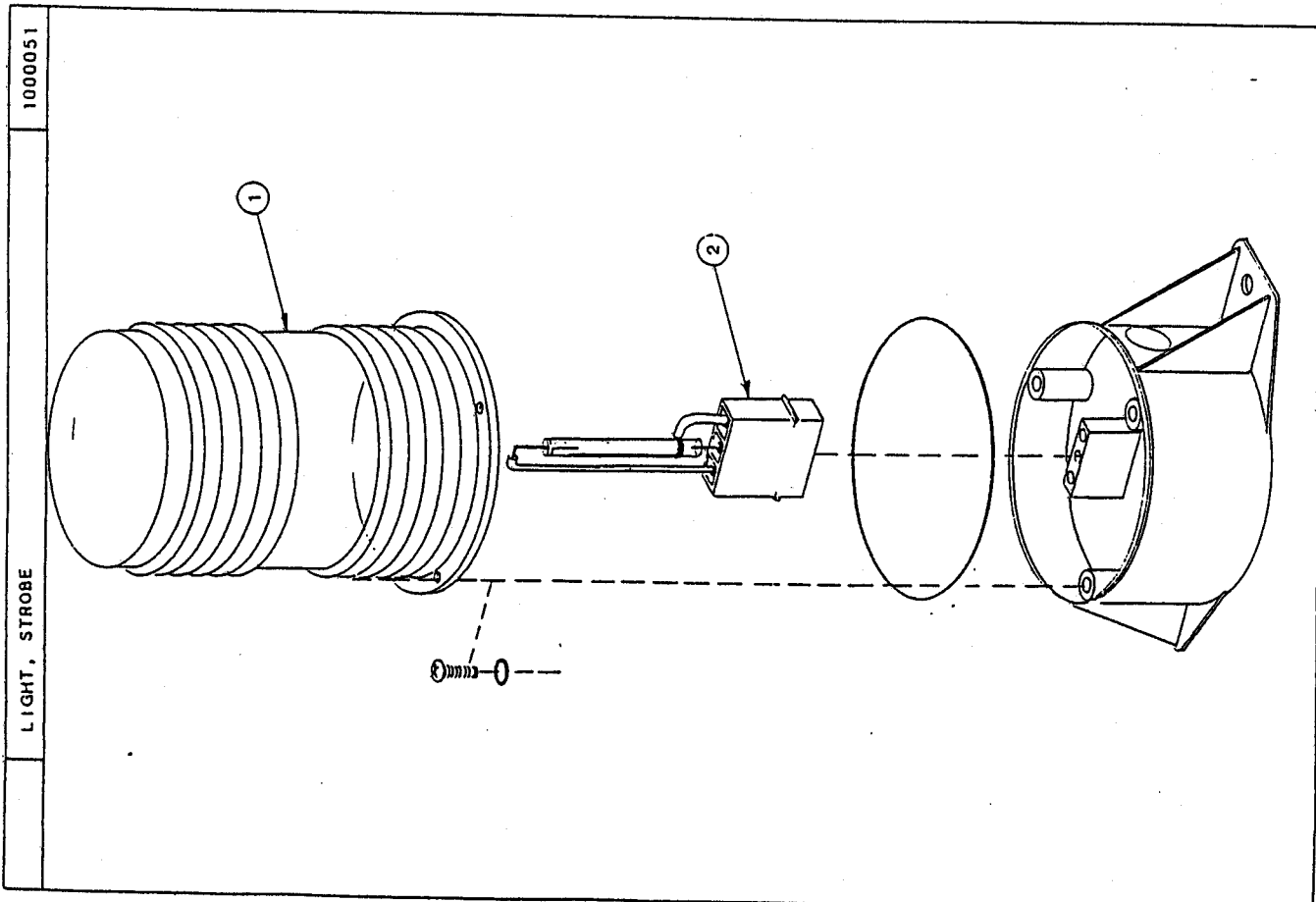
COLD START KIT

1000030

PARTS BREAKDOWN BILL OF MATERIAL

ITEM	QTY	PART NO	DESCRIPTION
2	1	1000030	COLD START KIT
3	1	1000986	KIT, ELECTRIC
3	1	1000987	ATOMIZER
4	1	1000020	ETHER 18 OZ/710 CC CAN





1000051

LIGHT, STROBE

PARTS BREAKDOWN BILL OF MATERIAL

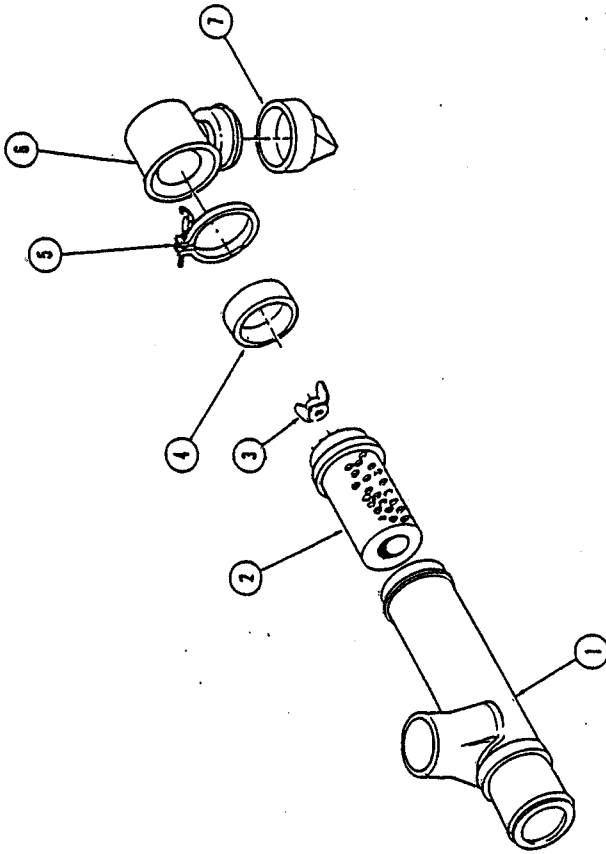
ITEM	QTY	PART NO	DESCRIPTION
1	1	1000051	LIGHT, STROBE
2	1	1000795	LENS
		1000796	BULB 12 VDC

AIR CLEANER ASSEMBLY, DIESEL ENGINES

1000106

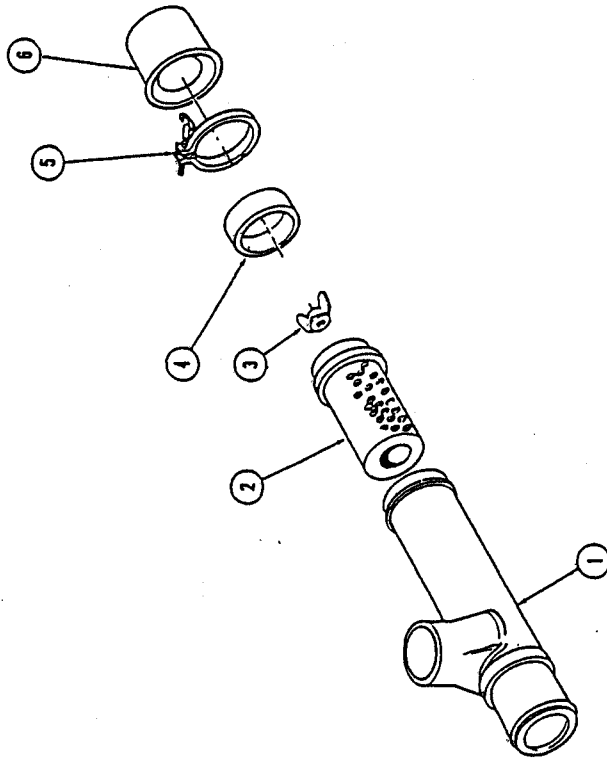
PARTS BREAKDOWN BILL OF MATERIAL

ITEM	QTY	PART NO	DESCRIPTION
1	1	1000106	AIR CLEANER ASSEMBLY, DIESEL ENGINES
2	1	NSS	BODY
3	1	1000107	ELEMENT ASSEMBLY
4	1	1000431	NUT, THUMB SCREW
5	1	1000432	BAFFLE
6	1	1000433	CLAMP ASSEMBLY
7	1	1000434	CUP ASSEMBLY-VACUATOR
		1000435	VALVE-VACUATOR



1000114

AIR CLEANER ASSEMBLY, GAS ENGINES



PARTS BREAKDOWN BILL OF MATERIAL

ITEM	QTY	PART NO	DESCRIPTION
1	1	1000114	AIR CLEANER ASSEMBLY, GAS ENGINES
2	1	NSS	BODY
3	1	1000115	ELEMENT ASSEMBLY
4	1	1000431	NUT
5	1	1000436	BAFFLE
6	1	1000437	CLAMP ASSEMBLY
		1000438	CUP ASSEMBLY

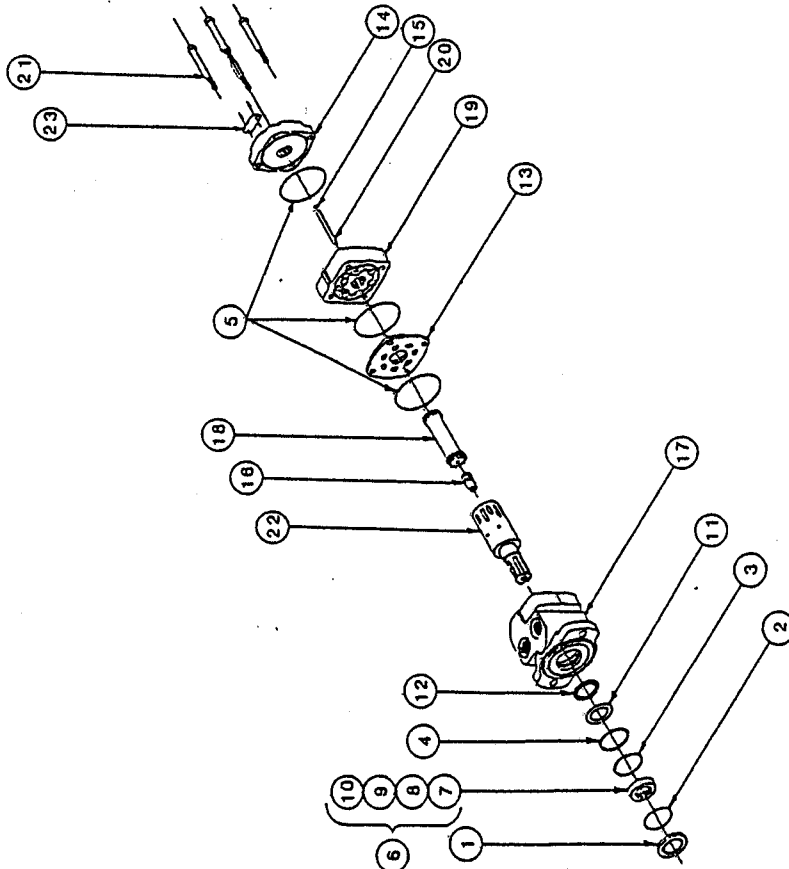
1000209

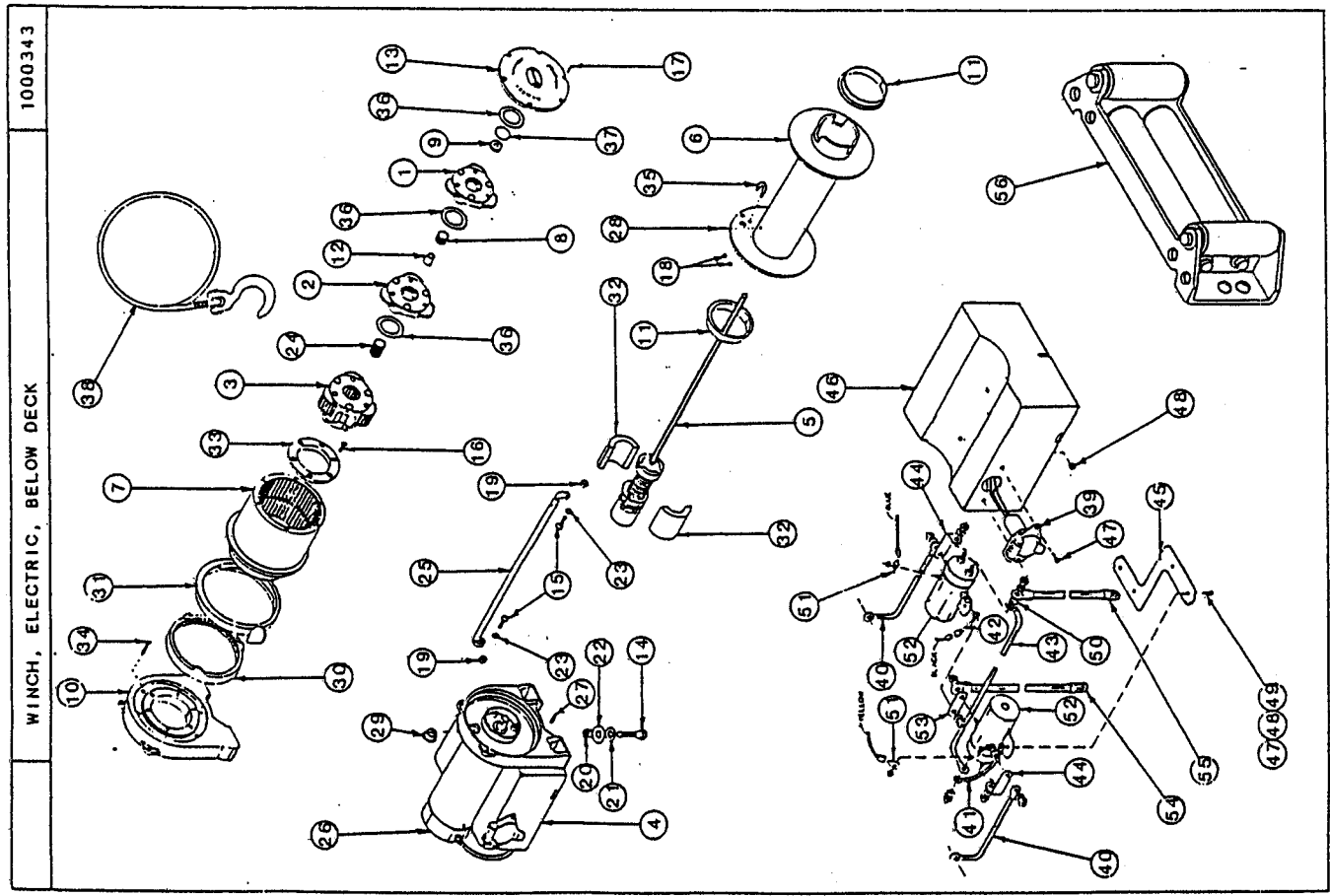
MOTOR, HYDRAULIC SWING

PARTS BREAKDOWN BILL OF MATERIAL

ITEM QTY PART NO DESCRIPTION

ITEM	QTY	PART NO	DESCRIPTION
1	1	1000209	MOTOR, HYDRAULIC SWING
2	1	1000691	SEAL, DUST
3	1	1000692	RING, SNAP WIRE
4	1	1000693	SHIM, BACKUP
5	3	1000694	SEAL, HSG, HIGH PRESS.
6	1	1000695	SEAL, BODY
7	1	1000696	SEAL SPACER ASSY
8	1	1000697	SEAL CARRIER
9	1	1000698	SHAFT SEAL
10	1	1000699	TEFLON BACKUP
11	1	1000700	BACKUP SHIM
12	1	1000701	THRUST WASHER
13	1	1000702	THRUST BEARING
14	1	1000703	WEAR PLATE
15	1	1000704	ENDCOVER
16	1	1000705	BALL
17	1	1000706	COOLING PLUG
18	1	1000707	HOUSING (2 HOLE)
19	1	1000708	DRIVE LINK
20	1	1000709	ROTOR SET ASSY
21	4	1000710	PIN, DRIVE LINK
22	1	1000711	BOLT
23	1	1000712	SHAFT (6B SPLINE)
24	UAR	1000713	MOTOR I.D. TAG W/SCREWS
		1000714	SEAL KIT, (ITEMS 1 THRU 5, 7 THRU 10)



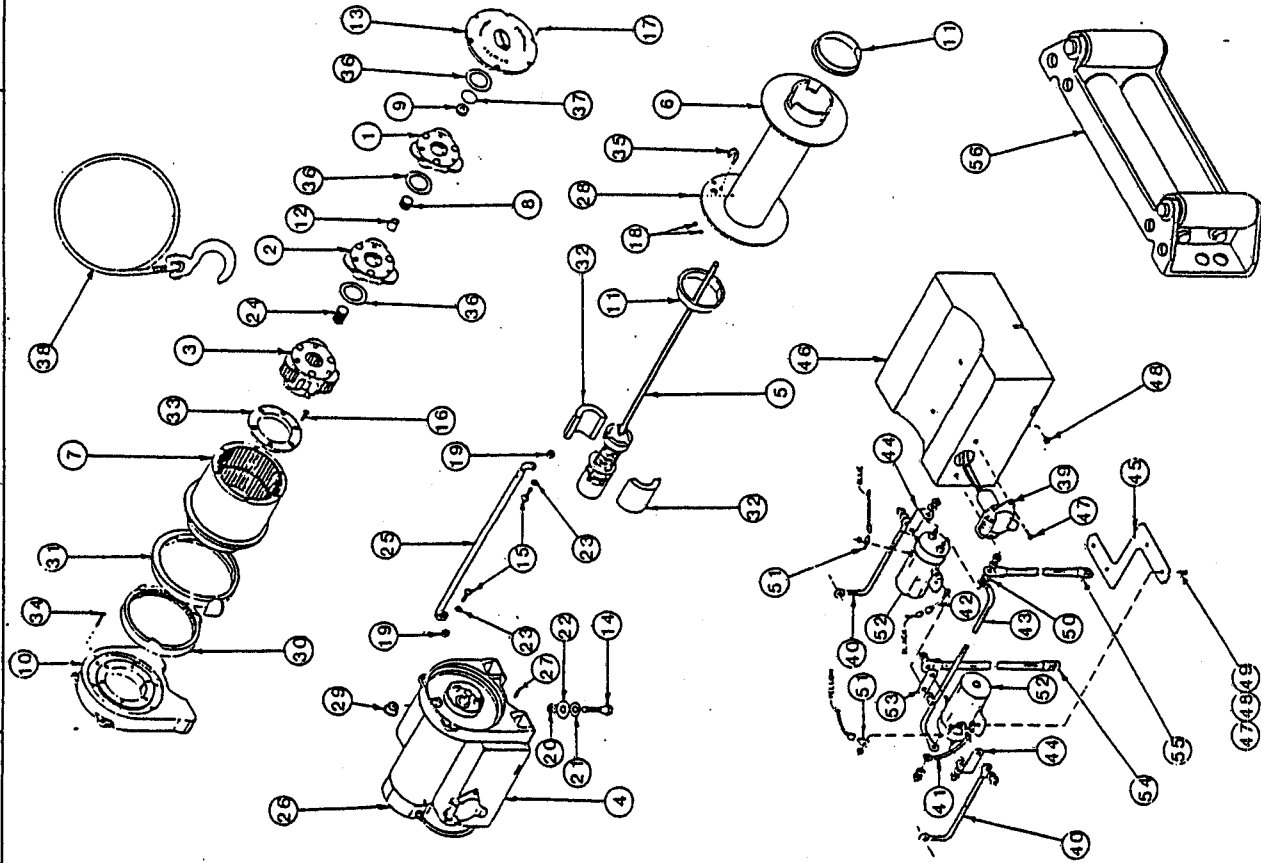


PARTS BREAKDOWN BILL OF MATERIAL

ITEM	QTY	PART NO	DESCRIPTION
1	1	1000343	WINCH, ELECTRIC, BELOW DECK
2	1	1000718	GEAR CARRIER ASSY-INPUT
3	1	1000719	GEAR CARRIER ASSY-INTERMEDIATE
4	1	1000720	GEAR CARRIER ASSY-OUTPUT
5	1	1000721	SOLENOID ASSY-12V
6	1	1000722	BRAKE/SHAFT ASSY
7	1	1000723	DRUM, CABLE
8	1	1000724	GEAR, RING
9	1	1000725	GEAR, INTERMEDIATE, SUN-12V
10	1	1000726	GEAR, INPUT, SUN
11	2	1000727	END BEARING
12	2	1000728	BUSHING, DRUM
13	1	1000729	BUSHING
14	4	1000730	COVER, GEAR HOUSING
15	4	1000731	CAPSCREW, 3/8-16 X 1-1/4" LG C.P.
16	6	1000732	CAPSCREW, 1/4-20 X 1" LG SOC BUTT. HD. BLK
17	6	1000733	CAPSCREW, 1/4-20 X 3/4" LG FL.HD.SOC.
18	2	1000734	SCREW, #6-32 X 3/8" LG. FIL. HD.
19	4	1000735	NUT, #10-24 HEX REG C.P.
20	4	1000736	NUT, 1/4-20 HEX ELASTIC STOP
21	4	1000737	NUT, 3/8-16 HEX REG C.P.
22	4	1000738	LOCKWASHER, 3/8 MED C.P.
23	4	1000739	WASHER, FLAT 3/8 SAE C.P.
24	1	1000740	SPACER
25	2	1000741	GEAR, OUTPUT, SUN
26	1	1000742	TIE BAR
27	1	1000743	MOTOR/END BEARING ASSY
28	1	138-55	ROLL PIN 1/8" DIA X 5/8" LG
29	1	138-51	ROLL PIN 1/8" DIA X 3/8 LG
30	1	1000744	PLUG
31	1	1000745	LOCKING RING
32	2	1000746	CAM RING
33	1	1000747	RING, HALF
34	6	1000748	RETAINER, RING GEAR
35	1	1000749	SPRING
36	3	1000750	U-BOLT
37	1	1000751	THRUST WASHER
38	1	1000752	THRUST DISC
39	1	1000753	CABLE ASSEMBLY
40	2	1000754	CONNECTOR ASSY-FEMALE
41	1	1000755	WIRE ASSY-BLK 6 GA X 6" LG
42	1	1000756	WIRE ASSY-BLK 16 GA X 3" LG
43	1	1000757	WIRE ASSY-BLK 16 GA X 1-1/2" LG
44	2	1000758	WIRE ASSY-BLK 6 GA X 3-1/2" LG
45	1	1000759	STRAP, COPPER
46	1	1000760	BRACKET
47	6	1000761	COVER, SOLENOID
48	6	1000762	SCREW, #10-24 X 1/2" LG RD HD C.P.
49	4	1000763	NUT, #10-24 HEX REG C.P.
50	1	1000764	WASHER, #10 FLAT, C.P.
51	2	1000765	WASHER, 5/16" EXT. TOOTH TERMINAL TAB

1000343

WINCH, ELECTRIC, BELOW DECK

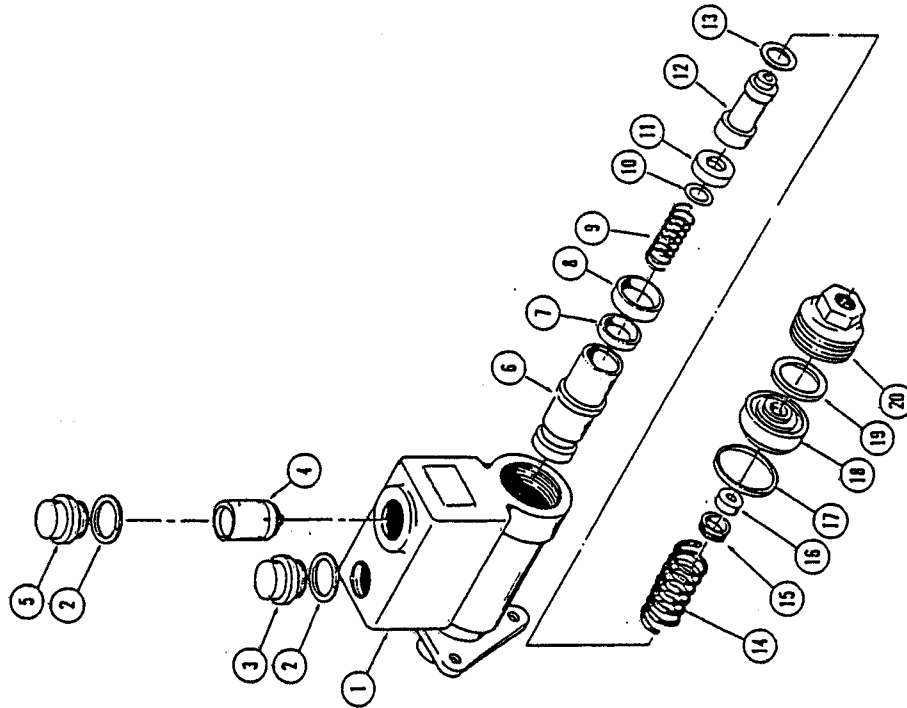


PARTS BREAKDOWN BILL OF MATERIAL

ITEM	QTY	PART NO	DESCRIPTION
52	2	1000766	SOLENOID, 12V
53	1	1000767	STRAP, COPPER
54	1	1000768	WIRE ASSY BATTERY (RED) 60"
55	1	1000769	WIRE ASSY, BATTERY (BLK) 60"
56	1	1000770	ROLLER FAIRLEAD

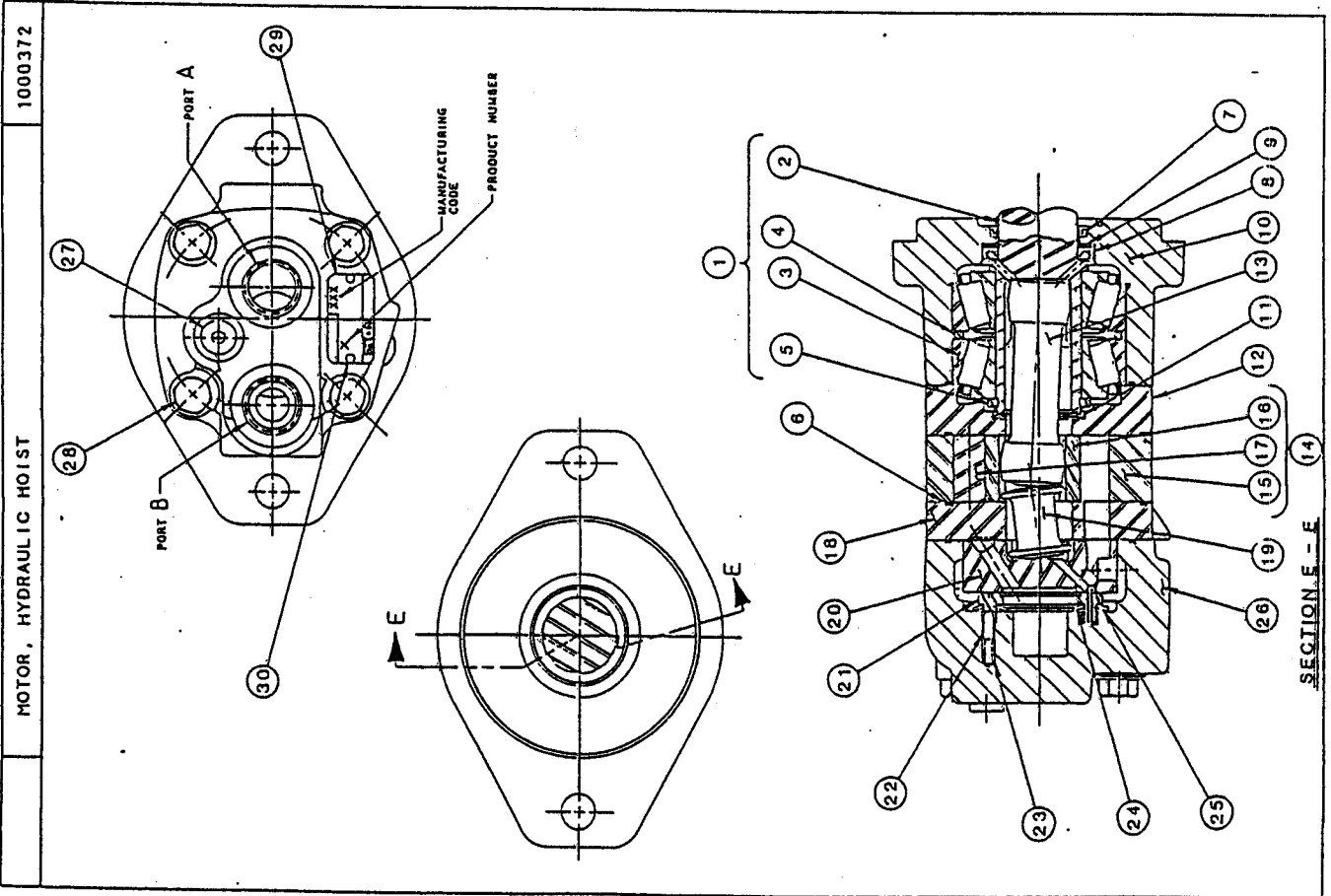
1000353

BRAKE, MASTER CYLINDER (4 WHEEL STEER)



PARTS BREAKDOWN BILL OF MATERIAL

ITEM	QTY	PART NO	DESCRIPTION
1	1	1000353	BRAKE, MASTER CYLINDER (4 WHEEL STEER)
2	1	NSS	HOUSING, CYLINDER
3	2	S114797	GASKET
4	2	S114796	PLUG, FILLER
5	1	1000461	VALVE-RELIEF
6	1	1000462	PLUG, FILLER
7	1	NSS	PISTON
8	1	1000463	CUP
9	1	1000464	SPRING
10	1	NSS	RETAINER-CUP
11	1	1000465	CUP
12	1	NSS	PISTON, FLOATING
13	1	1000466	RING, RETAINING
14	1	NSS	SPRING
15	1	NSS	RETAINER
16	1	NSS	SEAT
17	1	1000467	O-RING
18	1	NSS	RETAINER
19	1	1000468	SEAL
20	1	NSS	PLUG, END
21	1	1000469	KIT, REPAIR ITEMS 2, 4, 7, 8, 11, 15-17, 19



PARTS BREAKDOWN BILL OF MATERIAL

ITEM	QTY	PART NO	DESCRIPTION
1	1	1000372	MOTOR, HYDRAULIC HOIST
2	1	1000597	SHAFT SUB-ASSY
3	1	1000598	SHAFT, OUTPUT
4	2	1000599	BEARING
5	1	1000600	SPACER, BEARING
6	4	1000601	RING, RETAINING
7	1	1000602	SEAL
8	1	1000603	SEAL, SHAFT EXCLUSION
9	1	1000604	SEAL, SHAFT
10	1	1000605	RING, BACKUP
11	1	1000606	HOUSING, BEARING
12	1	1000607	SEAL, SHAFT FACE
13	1	1000608	PLATE, WEAR
14	1	1000609	DRIVE, VALVE
15	1	1000610	GEROLER SUB-ASSY
16	1	1000611	RING, EROLER
17	7	1000612	STAR, GEROLER
18	1	1000613	ROLLER, GEROLER
19	1	1000614	PLATE, VALVE
20	1	1000615	DRIVE, VALVE
21	1	1000616	VALVE
22	2	1000617	PLATE, BALANCING
23	2	1000618	PIN
24	1	1000619	SPRING
25	1	1000620	SEAL, INNER FACE
26	1	1000621	SEAL, OUTER FACE
27	1	1000622	HOUSING, VALVE
28	4	14384-007	PLUG SUB-ASSY
29	1	1000623	BOLT
30	2	1000625	NAMEPLATE
		1000626	RIVET

SECTION E - E (14)

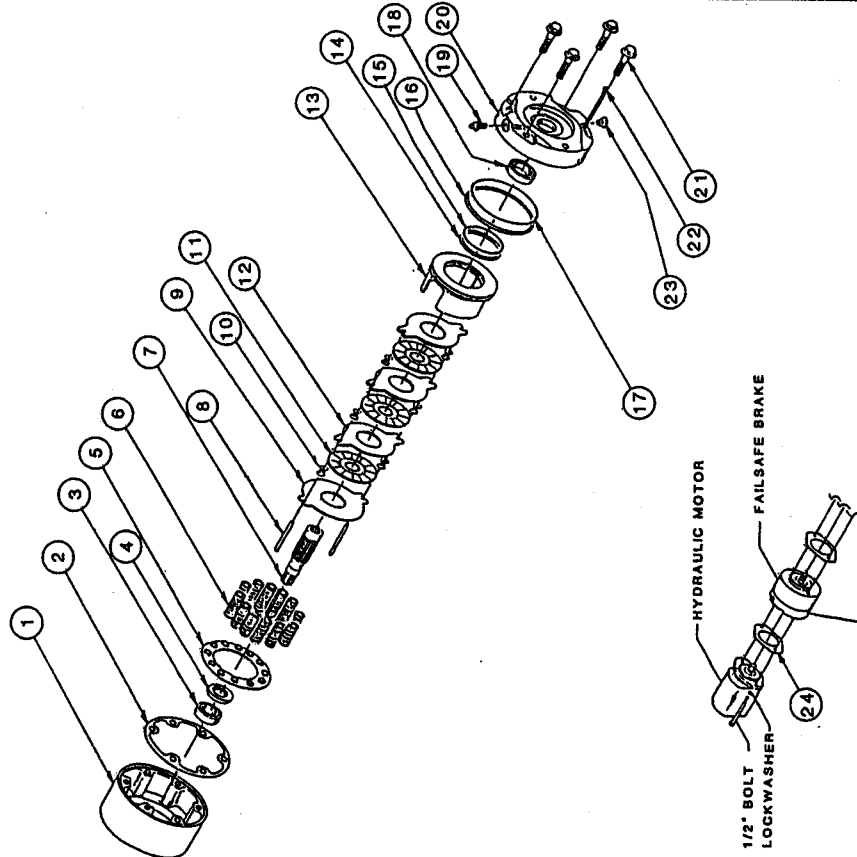
REV A

BRAKE, HYDRAULIC (HOIST)

1000373

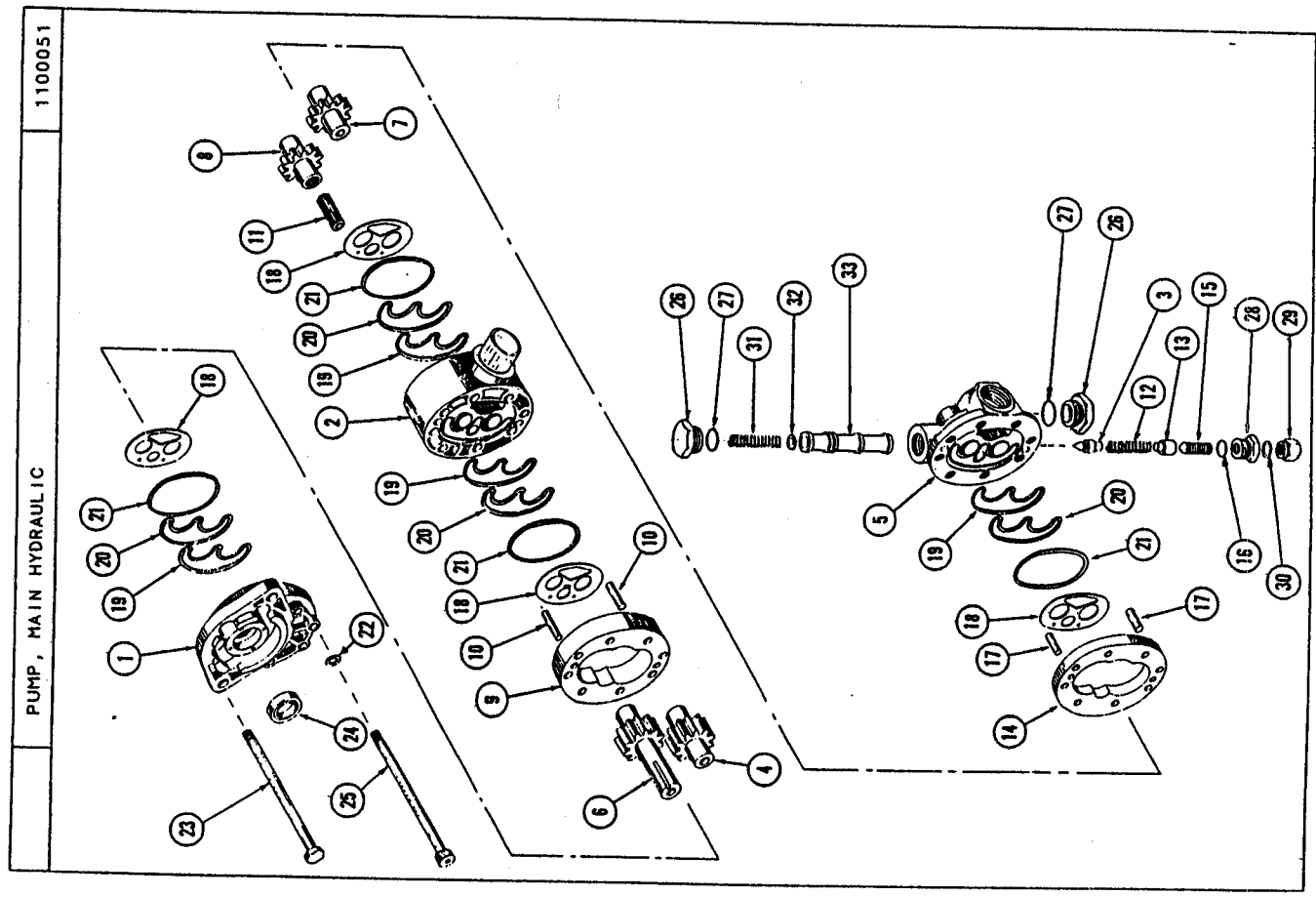
PARTS BREAKDOWN BILL OF MATERIAL

ITEM	QTY	PART NO	DESCRIPTION
1	1	1000373	BRAKE, HYDRAULIC (HOIST)
2	1	1000666	HOUSING, PRE 1986
3	1	1001882	HOUSING, 1986 AND AFTER
4	1	1000667	GASKET
5	1	1000668	BEARING, BALL
6	1	1000669	SEAL, OIL
7	1	1000670	RETAINER, SPRING
8	8	1000671	SPRING, COMPRESSION
9	1	1000672	SHAFT, SPLINED
10	2	1000673	PIN, TORQUE
11	1	1000674	DISC, PRIMARY
12	6	1000675	SPRING, COMPRESSION
13	3	1000676	DISC, ROTATING
14	3	1000677	DISC, STATIONARY
15	1	1000678	PISTON
16	1	1000679	RING, PACKING BACKUP
17	1	1000680	O-RING, PACKING BACKUP
18	1	1000681	O-RING, BALL
19	1	1000682	BEARING, BALL
20	1	1000683	SCREW, BLEEDER
21	1	1000684	POWER PLATE, PRE 1986
22	1	1001883	POWER PLATE, 1986 AND AFTER
23	4	1000685	SCREW, HEX FLANGED
24	1	1000687	VALVE, PRESSURE RELIEF
25	2	1000688	PLUG, PROTECTIVE
25	2	1000689	GASKET
25	2	1000690	SEAL KIT, (ITEMS 2, 4, 14, 15, 16, 17 & 24)



PARTS BREAKDOWN BILL OF MATERIAL

ITEM	QTY	PART NO	DESCRIPTION
1	1	1100051	PUMP, MAIN HYDRAULIC
2	1	1000145	BODY ASSY L H
3	1	1000146	PLATE ASSY BEARING
4	1	1000449	POPPET
5	1	1000148	GEAR- IDLER (ITEMS 4 AND 6 SOLD AS SET)
6	1	1000454	COVER ASSY
7	1	1000150	GEAR SHAFT DRIVE 323K (ITEMS 6 AND 4 SOLD AS SET)
8	1	1000455	GEAR IDLER (ITEMS 7 AND 8 SOLD AS SET)
9	1	1000456	GEAR SHAFT DRIVE 151K (ITEMS 8 AND 7 SOLD AS SET)
10	2	1000513	PLATE GEAR
11	1	1000154	PIN DOWEL
12	1	1000155	COUPLING
13	1	1000450	SPRING
14	1	1000451	SPRING GUIDE
15	1	1000457	PLATE GEAR
16	1	1000452	SCREW SET
17	2	1000453	O-RING
18	2	1000458	PIN DOWEL
19	4	1000162	PLATE WEAR
20	4	1000163	SEAL PRELOAD
21	4	1000164	SEAL LOAD
22	4	1000165	SEAL RING
23	8	1000459	WASHER
24	6	26-6108	BOLT, HEX 3/8-16 x 6.75 NC GR 8
25	1	1000168	SEAL OIL
26	2	1000439	BOLT, HEX SOC HD 3/8-16 x 6.75 NC GR 8
27	2	1000440	PLUG, HEX HD
28	1	1000441	O-RING
29	1	1000442	PLUG
30	1	1000443	CAP
31	1	1000445	GASKET
32	1	1000446	SPRING
33	1	1000447	DISC, ORIFICE
		1000448	PISTON

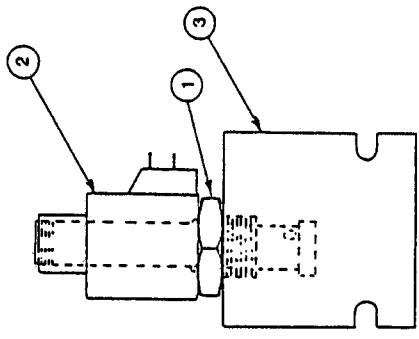


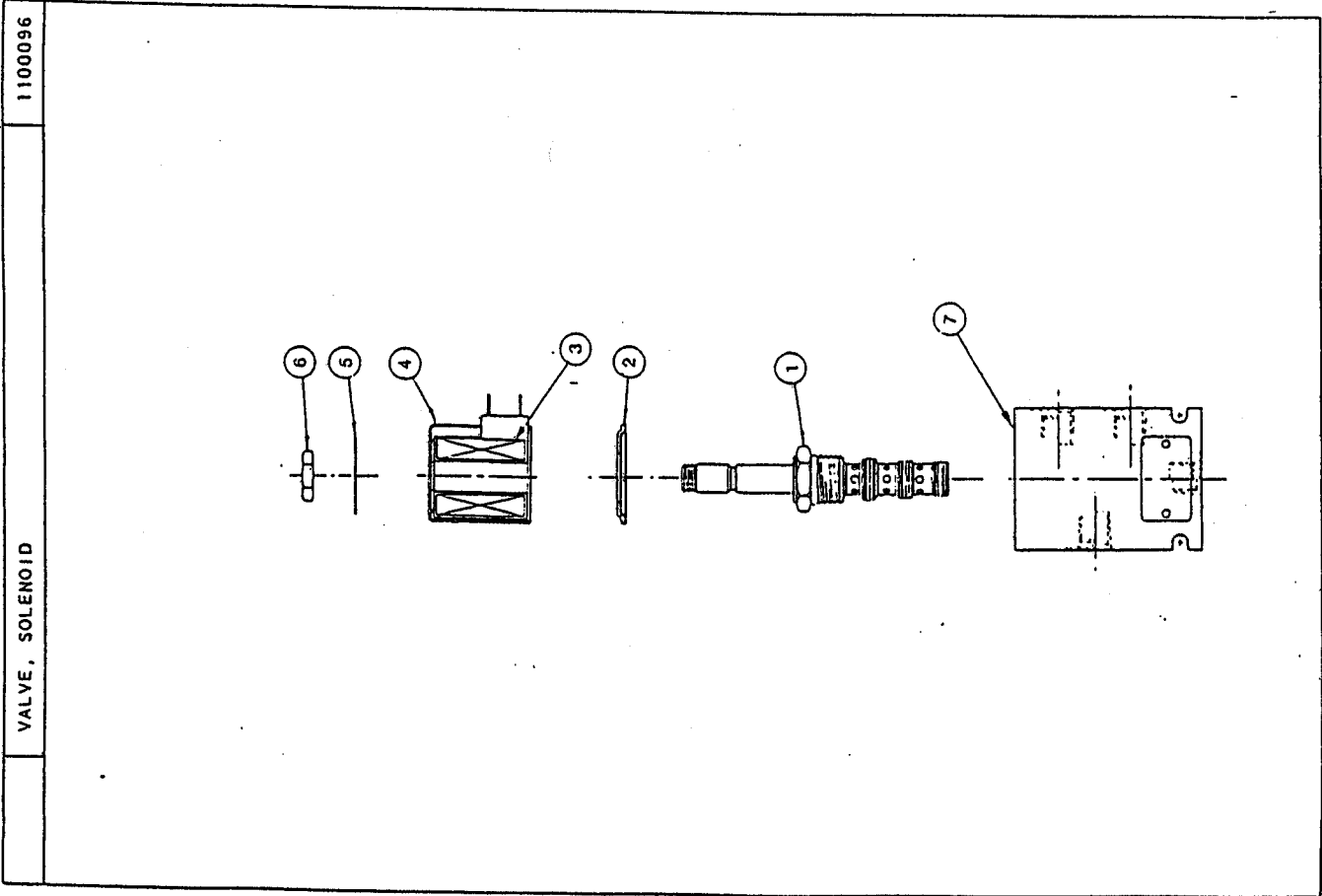
VALVE, SOLENOID

1100054

PARTS BREAKDOWN BILL OF MATERIAL

ITEM	QTY	PART NO	DESCRIPTION
1	1	1100054	VALVE, SOLENOID
2	1	1000807	CARTRIDGE, VALVE
3	1	1000808	COIL, SOLENOID
	1	1000809	BODY, VALVE





VALVE, SOLENOID

1100096

PARTS BREAKDOWN BILL OF MATERIAL

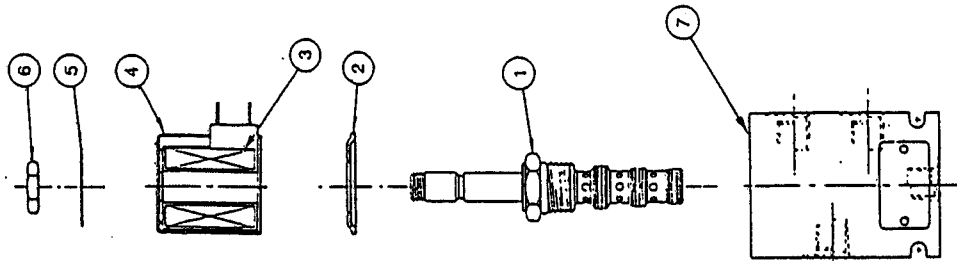
ITEM	QTY	PART NO	DESCRIPTION
1	1	1100096	VALVE, SOLENOID
2	1	1000797	VALVE ASSY, 2 WAY, 2 POS, N.C.
3	1	1000798	COVER PLATE
4	1	1000799	SOLENOID COIL
5	1	1000800	COIL HOUSING
6	1	1000801	NUT
7	1	1000802	VALVE BODY
8	UJAR	1000804	SEAL KIT, BUNA "N" (NOT SHOWN)

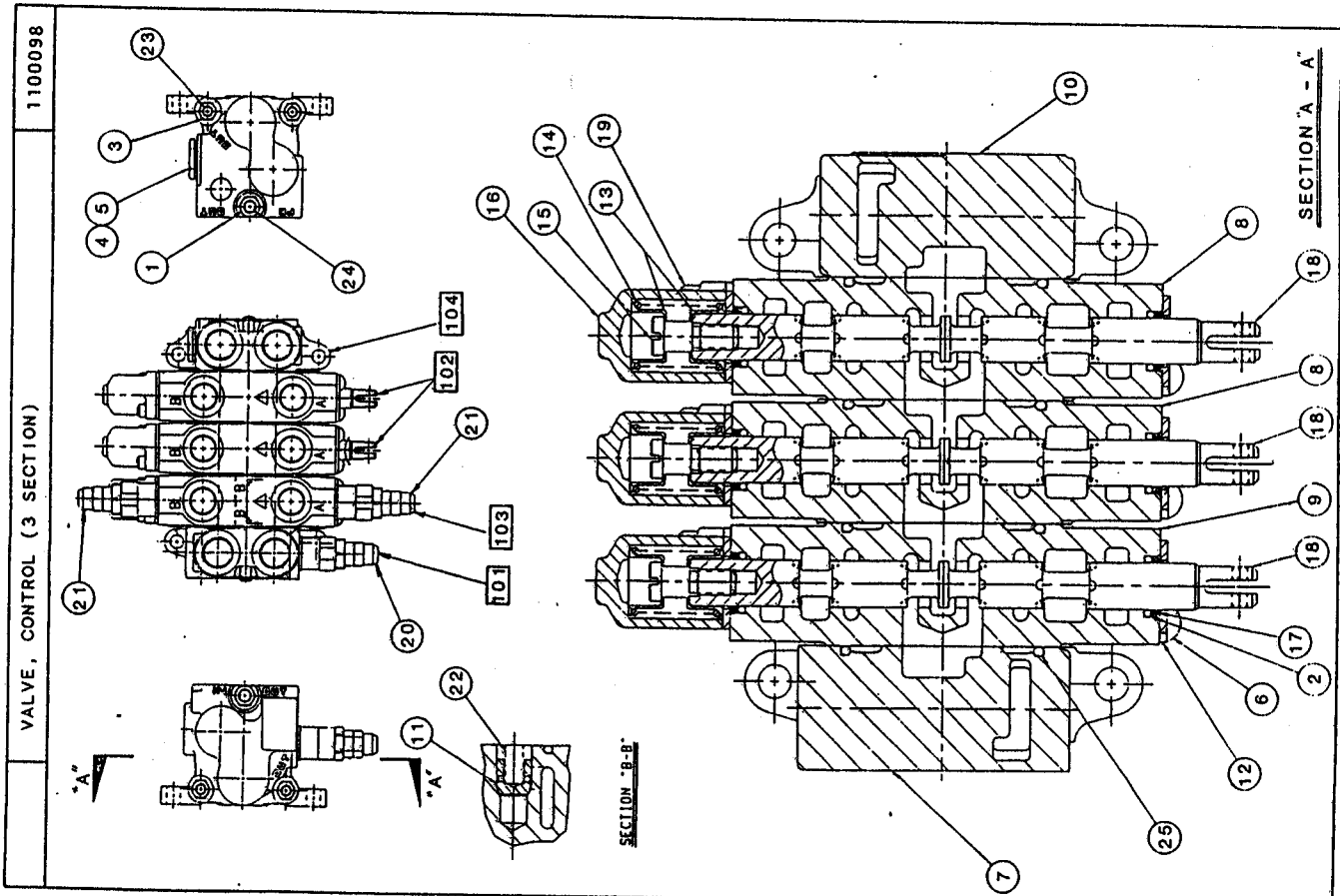
VALVE, SOLENOID

1100097

PARTS BREAKDOWN BILL OF MATERIAL

ITEM	QTY	PART NO	DESCRIPTION
1	1	1100097	VALVE, SOLENOID
2	1	1000805	VALVE ASSY, 4 WAY, 2 POS
3	1	1000798	COVER PLATE
4	1	1000799	SOLENOID COIL
5	1	1000800	COIL HOUSING
6	1	1000801	NAME PLATE
7	1	1000802	NUT
8	UAR	1000803	VALVE BODY
		1000806	SEAL KIT, Buna "N" (NOT SHOWN)





1100098

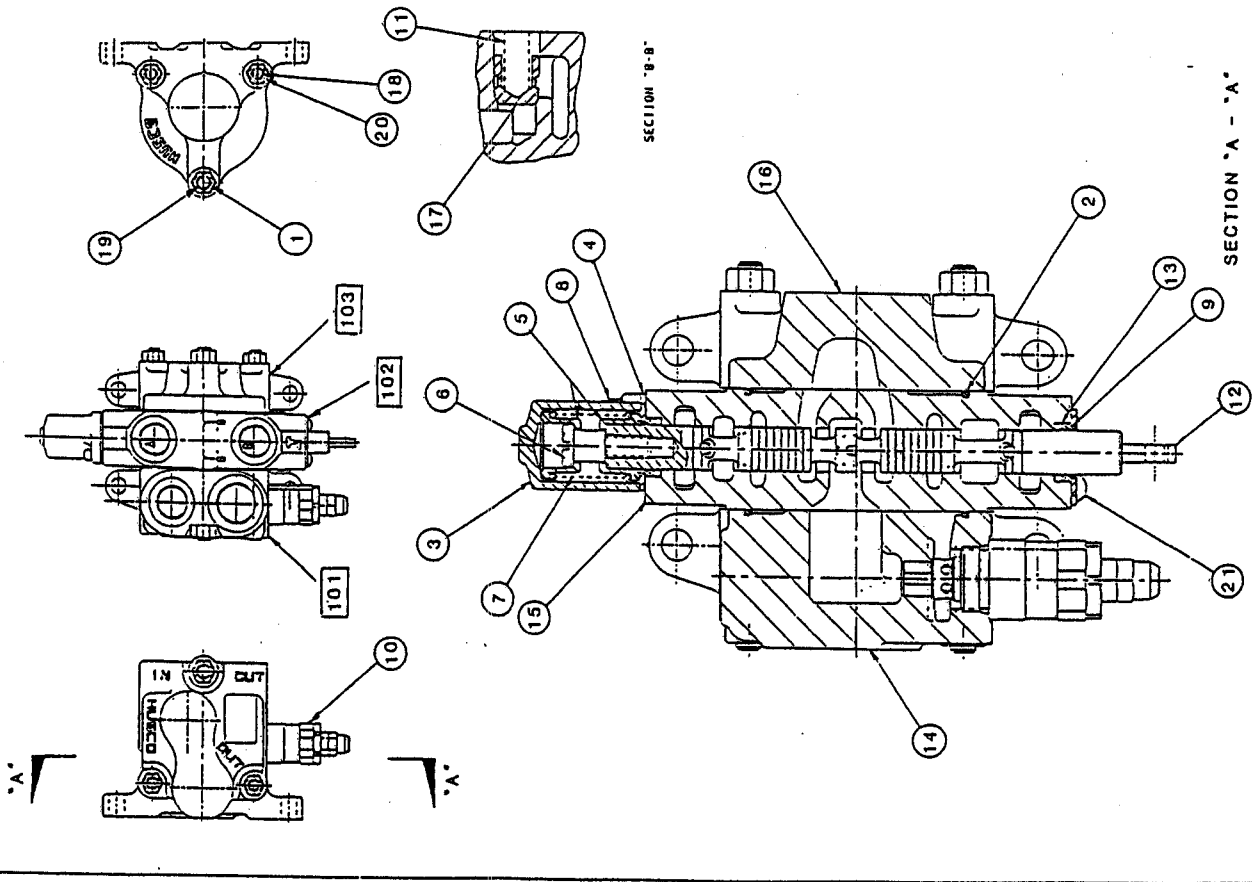
VALVE, CONTROL (3 SECTION)

PARTS BREAKDOWN BILL OF MATERIAL

ITEM	QTY	PART NO	DESCRIPTION
1	1	1100098	VALVE, CONTROL (3 SECTION)
2	2	1000515	NUT, SPECIAL
3	4	1000516	O-RING
4	1	1000517	NUT, SPECIAL
5	1	1000518	O-RING
6	1	1000519	PLUG, SHUT-OFF
7	1	1000520	MACHINE SCREW
8	2	1000521	HOUSING, INLET (NOT SOLD SEPARATELY)
9	1	1000522	HOUSING, SPOOL (NOT SOLD SEPARATELY)
10	1	1000523	HOUSING, SPOOL (NOT SOLD SEPARATELY)
11	3	1000524	HOUSING, OUTLET
12	6	1000525	POPPET, C.V.
13	6	1000526	PLATE, SEAL
14	3	1000527	SPRING SEAT
15	3	1000528	SPRING
16	3	1000529	SPOOL END
17	6	1000530	CAP, SPOOL
18	3	1000531	WIPER
19	6	1000532	SPOOL (NOT SOLD SEPARATELY)
20	1	1000533	CAPSCREW, SOC. HD
21	2	1000534	RELIEF VALVE ASSY
22	3	1000535	RELIEF VALVE ASSY
23	2	1000536	SPRING
24	1	1000537	TIE ROD
25	4	1000538	TIE ROD
101	1	1000539	O-RING
102	1	1000511	INLET SECTION ASSY
103	1	1000512	SPOOL SECTION ASSY
104	1	1000513	SPOOL SECTION ASSY
		1000514	OUTLET SECTION ASSY

1100099

VALVE, CONTROL (1 SECTION)

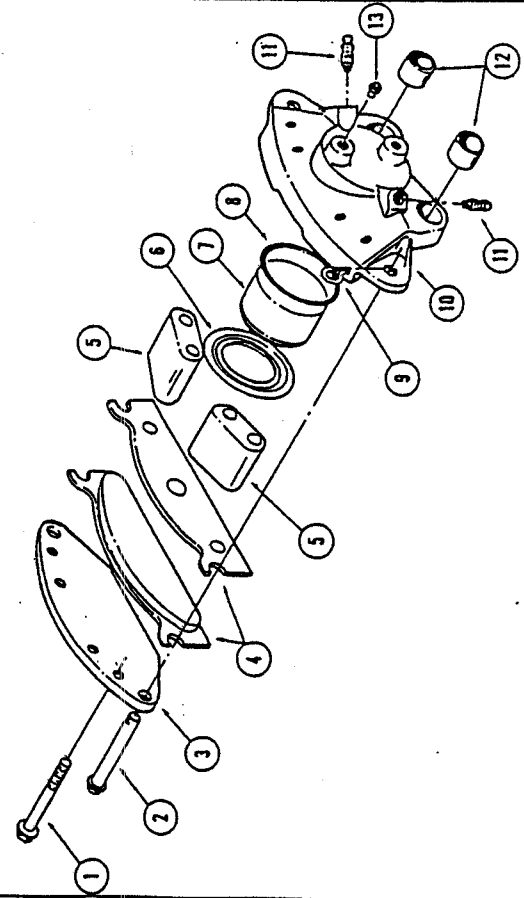


PARTS BREAKDOWN BILL OF MATERIAL

ITEM	QTY	PART NO	DESCRIPTION
1	1	1100099	VALVE, CONTROL (1 SECTION)
2	2	1000543	NUT, SPECIAL
3	2	1000544	O-RING
4	1	1000545	CAP, SPOOL
5	2	1000546	PLATE, SEAL
6	2	1000547	SPRING SEAT
7	1	1000548	SPOOL END
8	1	1000549	SPRING
9	2	1000550	CAP SCREW, SOC HD
10	2	1000551	WIPER
11	1	1000552	RELIEF VALVE ASSY
12	1	1000553	SPRING
13	2	1000554	SPOOL
14	1	1000555	O-RING
15	1	1000556	HOUSING, INLET
16	1	1000557	HOUSING, SPOOL
17	1	1000558	HOUSING, OUTLET
18	2	1000559	POPPET, G.V.
19	1	1000560	TIE ROD
20	4	1000561	NUT, SPECIAL
21	2	1000562	MACHINE SCREW
101	1	1000540	INLET SECTION ASSY
102	1	1000541	SPOOL SECTION ASSY
103	1	1000542	OUTLET SECTION ASSY

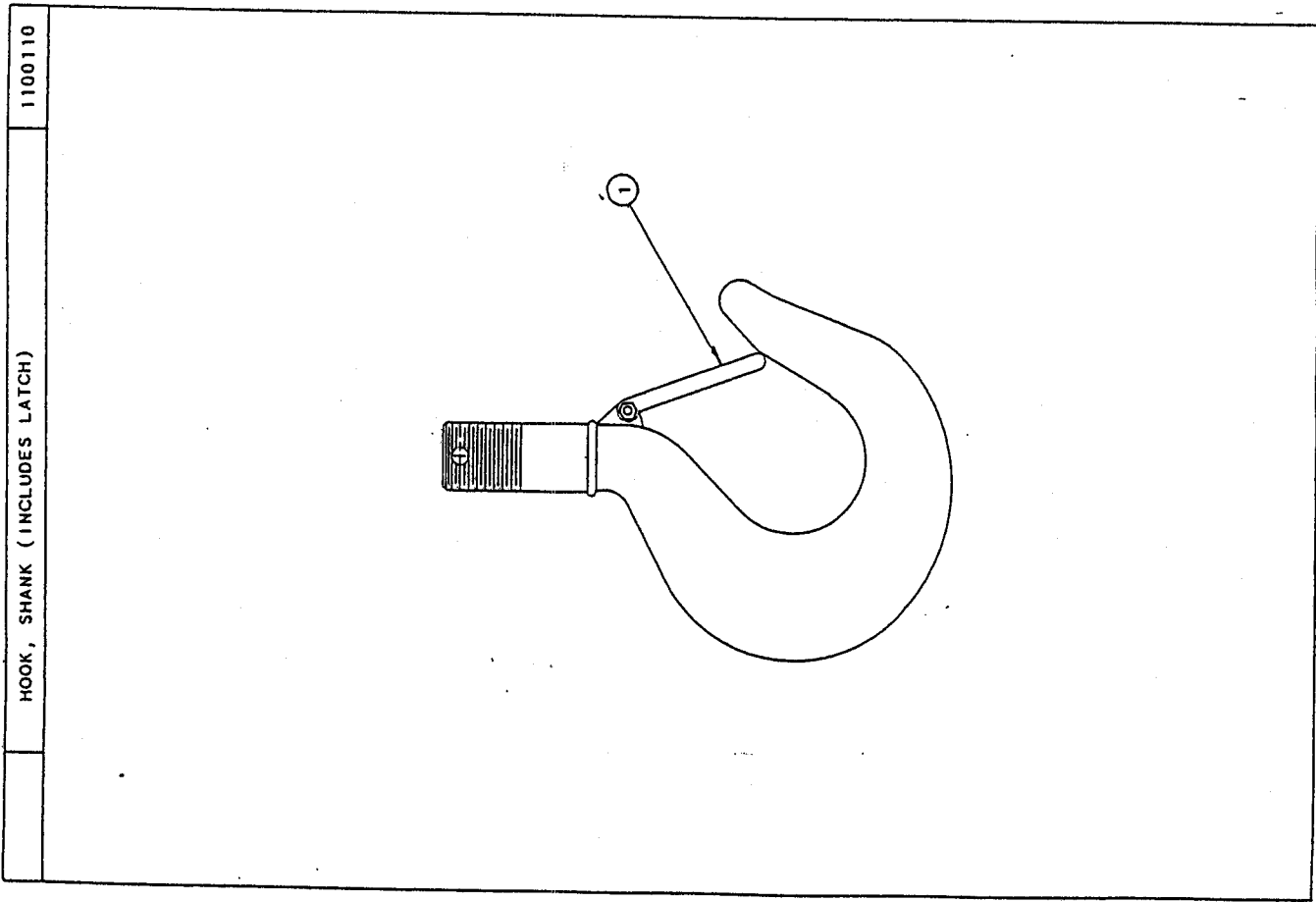
1100109

BRAKE, CALIPER (4 WHEEL STEER)



PARTS BREAKDOWN BILL OF MATERIAL

ITEM	QTY	PART NO	DESCRIPTION
-	-	1100109	BRAKE, CALIPER (4 WHEEL STEER)
1	4	S114292	BOLT - HEX FLANGED
2	2	S114293	PIN - CLEVIS
3	1	S114294	PLATE - SECONDARY
4	2	S114295	STATOR and LINING ASSEMBLY
5	2	S114296	SPACER
6	1	1000473	BOOT
7	1	S114298	PISTON
8	1	1000474	O-RING
9	2	S114303	CLIP - PIN
10	1	S114299	HOUSING
11	2	S114300	SCREW - BLEEDER
12	2	S114302	SLEEVE
13	1	S114301	INSERT - SEAT
14	UAR	1000389	SEAL KIT

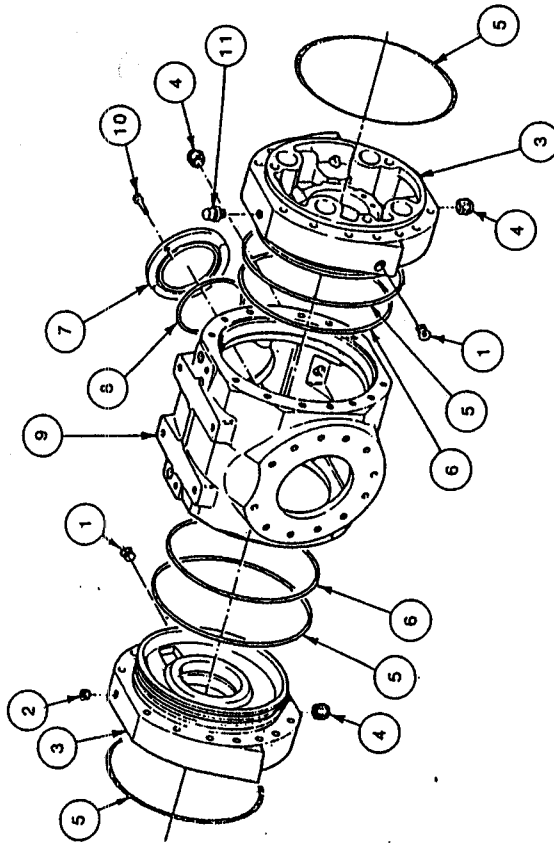


HOOK, SHANK (INCLUDES LATCH)

1100110

PARTS BREAKDOWN BILL OF MATERIAL

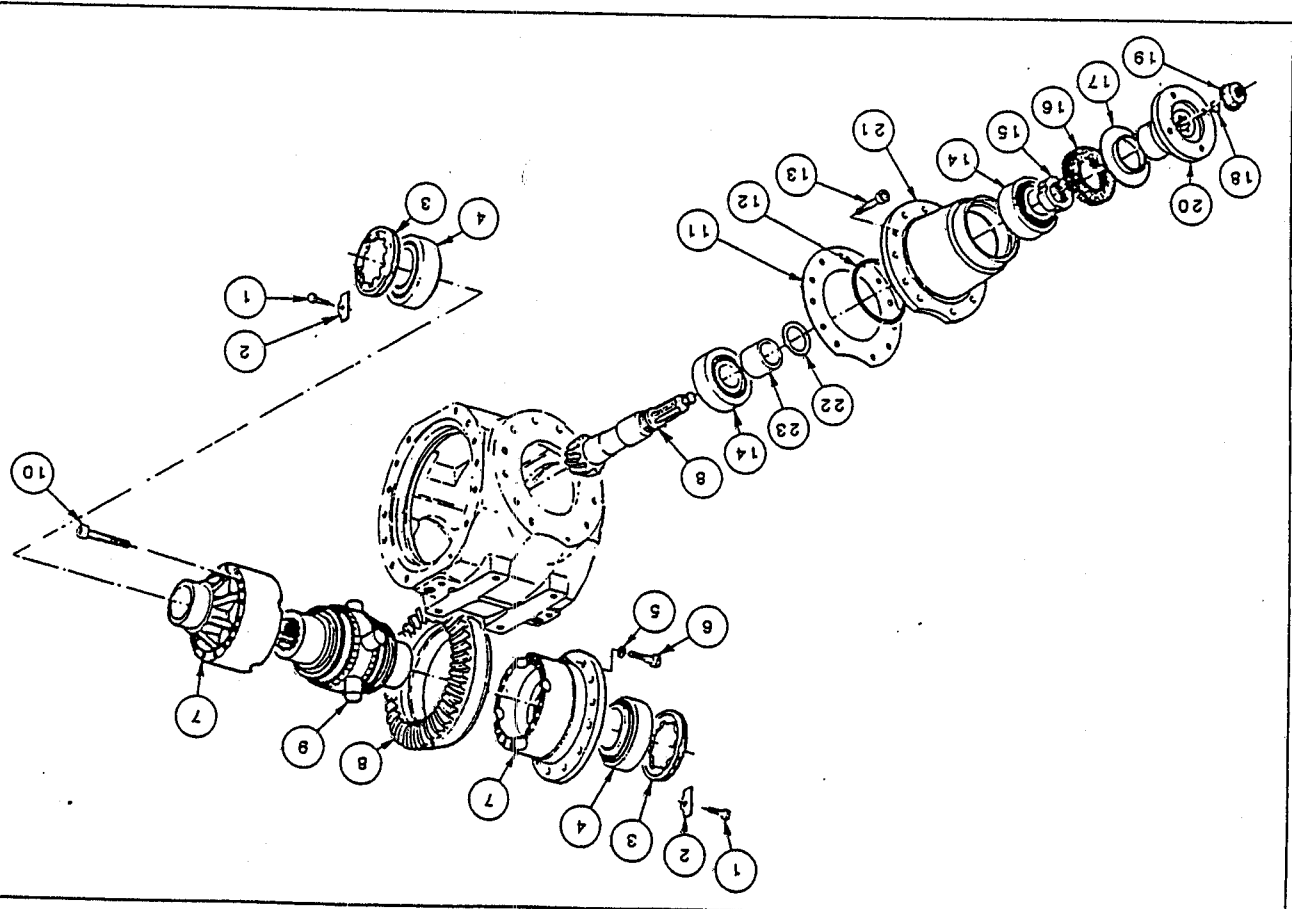
ITEM	QTY	PART NO	DESCRIPTION
-	-	1100110	HOOK, SHANK (INCLUDES LATCH)
1	1	1000033	LATCH, SAFETY, KIT



PARTS BREAKDOWN BILL OF MATERIAL

ITEM	QTY	PART NO	DESCRIPTION
1	2	1100138	AXLE, RIGID & STEERING DRIVE, HOUSING COVERS
2	1	1000851	PLUG
3	2	1000852	PLUG
4	3	1000853	AXLE CASE
5	4	1000854	MAGNET PLUG
6	2	1000855	O-RING
7	1	1001775	O-RING
8	1	1000857	COVER
9	1	1000858	O-RING
10	4	1001776	HOUSING
11	1	1000860	CYLINDER BOLT
		1000861	VENT

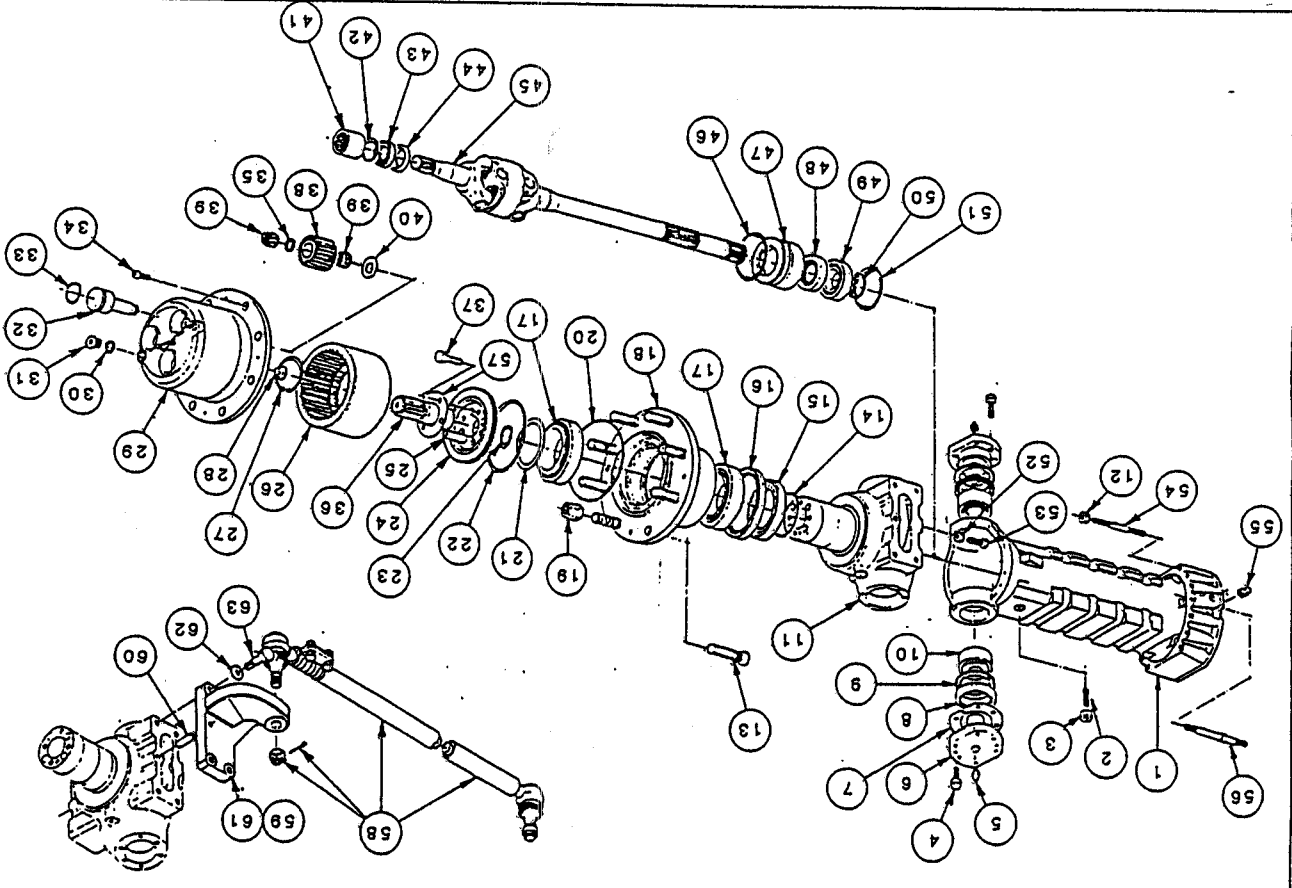
1100139
 AXLE, STEERING DRIVE, NOSPIN DIFFERENTIAL



PARTS BREAKDOWN BILL OF MATERIAL

ITEM	QTY	PART NO	DESCRIPTION
1	1	1100139	AXLE, STEERING DRIVE, NOSPIN DIFFERENTIAL
2	2	1000862	HEXAGON BOLT
3	2	1000863	SHEET
4	2	1000864	RING NUT
5	2	1000865	TAPER ROLLER BEARING
6	16	1000866	SPRING WASHER
7	16	1000867	HEXAGON BOLT
8	1	1000868	DIFFERENTIAL CASE
9	1	1000869	BEVEL GEAR SET
10	1	1000870	NO SPIN DIFFERENTIAL
11	16	1000871	CYLINDER BOLT
12	1	1000872	SHIM (.04-.07)
13	1	1000873	O-RING
14	12	1000874	CYLINDER BOLT
15	2	1000875	TAPER ROLLER BEARING
16	1	1000876	RING NUT
17	1	1000877	SEAL
18	1	1000878	COVERPLATE
19	1	1000879	O-RING
20	1	1000880	NUT
21	1	1000881	FLANGE
22	1	1000882	COVER
23	1	1000883	SHIM (.0282-.0285, .1203-.1204)
23	1	1000884	SPACER (.05-.08)

1100140
 AXLE, STEERING DRIVE, PLANETARY AXLE

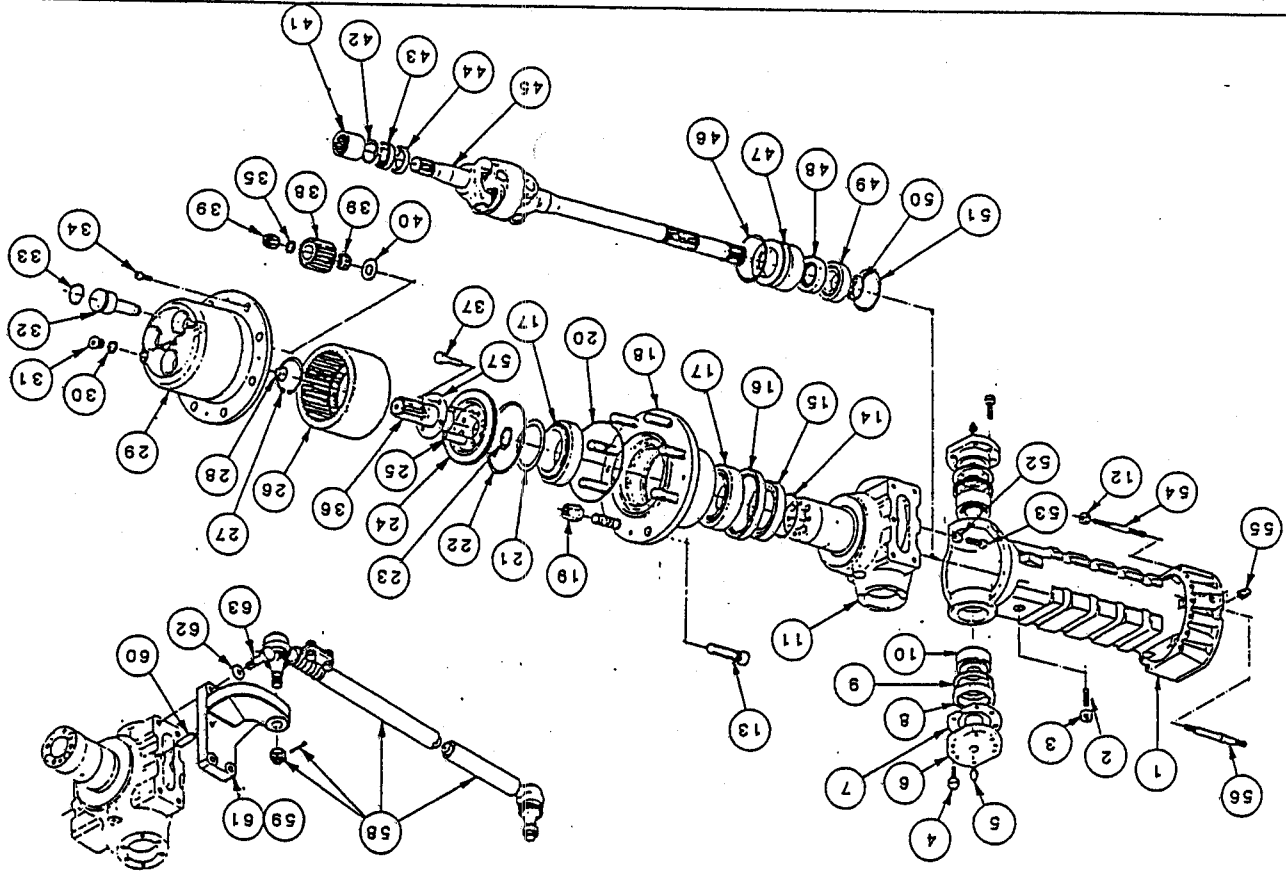


PARTS BREAKDOWN BILL OF MATERIAL

ITEM	QTY	PART NO	DESCRIPTION
1	1	1100140	AXLE, STEERING DRIVE, PLANETARY AXLE
2	2	1000885	LATERAL AXLE HOUSING
3	2	1000886	GRUB BOLT
4	24	1000887	NUT
5	4	1000888	HEXAGON BOLT
6	4	1000889	GREASE FITTING
7	2	1000890	PIVOT PIN
8	5	1000891	SHIM (.04-.06)
9	4	1000892	DUST EXCLUDER
10	4	1000893	RING
11	2	1000894	TAPER ROLLER BEARING
12	28	1000895	STEERING CASE
13	16	1000896	NUT
14	2	1000897	WHEEL STUD
15	2	1000898	O-RING
16	2	1000899	SPACER
17	4	1000900	SEAL
18	2	1000901	TAPER ROLLER BEARING
19	16	1000902	WHEEL HUB
20	2	1000903	WHEEL NUT
21	2	1000904	O-RING
22	2	1000905	SHIM (.0323-.0325)
23	2	1000906	SHIM (.1347-.1348)
24	2	1000907	SNAP RING
25	2	1000908	FRICITION WASHER
26	2	1000909	RING GEAR SUPPORT
27	2	1000910	DOWEL
28	2	1000911	RING GEAR
29	2	1000912	CIRCLIP
30	2	1000913	FRICITION WASHER
31	2	1000914	PLANET GEAR CARRIER
32	2	1000915	SEAL WASHER
33	6	1000916	PLUG
34	6	1000917	PIN
35	6	1000918	O-RING
36	6	1000919	CYLINDER BOLT
37	2	1000920	SPACER
38	6	1000921	PINION
39	12	1000922	HEX BOLT
40	6	1000923	PLANETARY GEAR
41	2	1000924	NEEDLE BEARING
42	2	1000925	FRICITION WASHER
43	2	1000926	NEEDLE BEARING
44	2	1000927	SNAP RING
45	2	1000928	SEAL
46	2	1000929	DUST EXCLUDER
47	2	1000930	DOUBLE UNIVERSAL JOINT
48	2	1000931	O-RING
49	2	1000932	REDUCTION BUSHING
50	2	1000933	SEAL
51	2	1000934	BALL BEARING
52	2	1000935	CIRCLIP

1100140

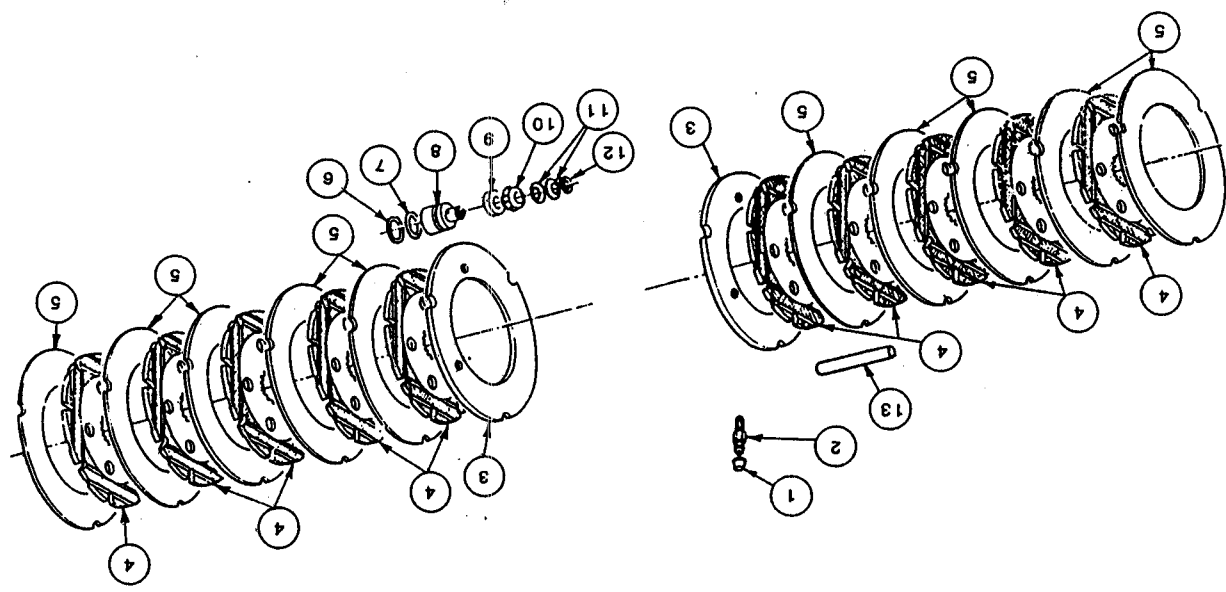
AXLE, STEERING DRIVE, PLANETARY AXLE



PARTS BREAKDOWN BILL OF MATERIAL

ITEM	QTY	PART NO	DESCRIPTION
51	2	1000935	CIRCLIP
52	2	1000936	NUT
53	2	1000937	STEERING ADJUST BOLT
54	24	1000938	STUD
55	4	1000939	PLUG
56	4	1000940	STUD
57	2	1000941	LOCKING PLATE
58	1	1000942	TIE ROD
59	1	1000943	TRACK ROD ARM
60	2	1000944	DOWEL
61	1	1000945	TRACK ROD ARM
62	8	1000946	SPRING WASHER
63	8	1000947	HEX BOLT

AXLE, RIGID & STEER DRIVE, BRAKE with 10 DISKS 1100141

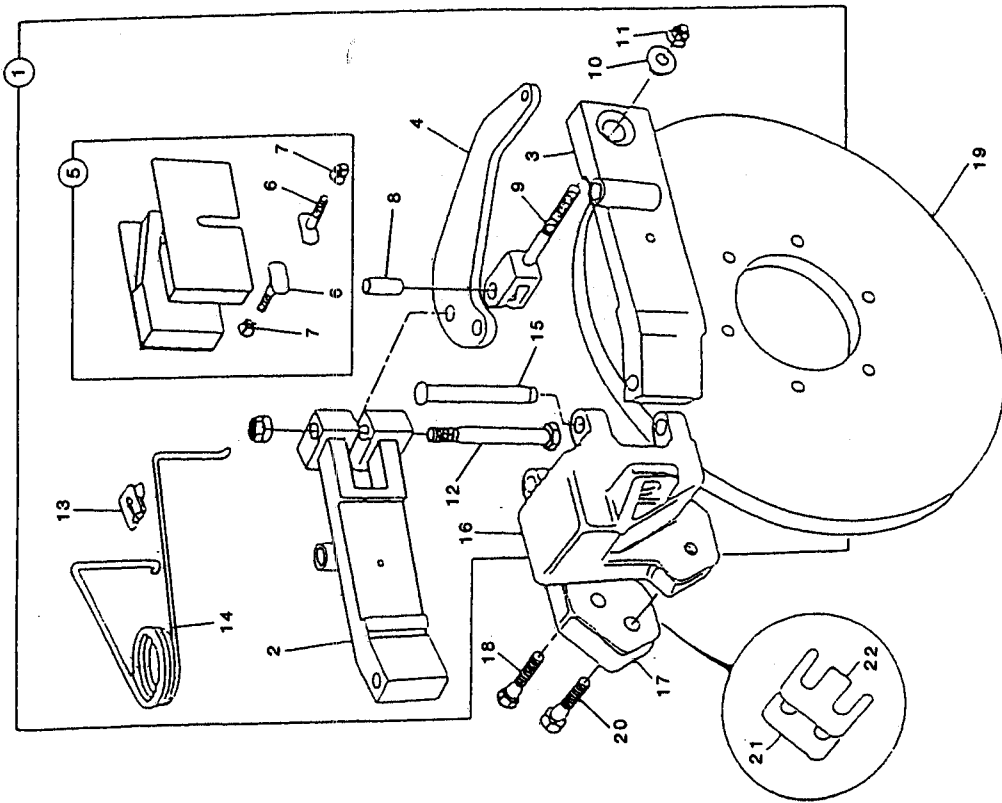


PARTS BREAKDOWN BILL OF MATERIAL

ITEM	QTY	PART NO	DESCRIPTION
1	2	1100141	AXLE, RIGID & STEER DRIVE, BRAKE with 10 DISKS
2	2	1000948	PLUG
3	2	1000949	EXHAUSTING BOLT
4	2	1000950	SPACER
5	10	1000951	BRAKE DISK
6	8	1000952	INTERMEDIATE BRAKE DISK
7	8	1000953	RING
8	8	1000954	PISTON
9	8	1000955	SPACER
10	8	1000956	SPRING
11	16	1000957	CUP SPRING
12	8	1000958	CIRCLIP
13	6	1000960	PIN

1100181

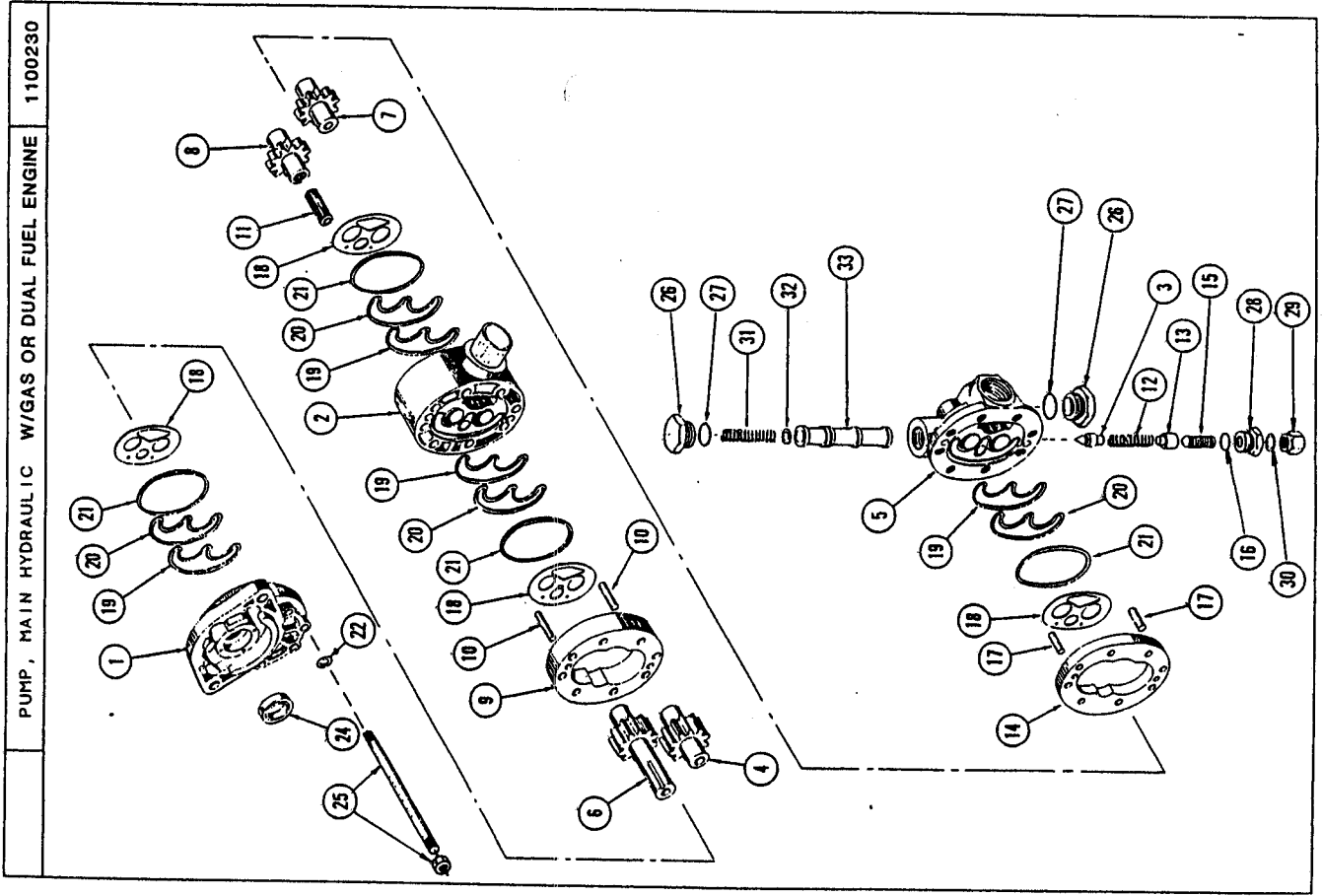
BRAKE, PARKING



ITEM 1 CONSISTS OF ITEMS 2 THRU 16
 ITEM 5 CONSISTS OF ITEMS 6 & 7

PARTS BREAKDOWN BILL OF MATERIAL

ITEM	QTY	PART NO	DESCRIPTION
1	1	1100181	----- BRAKE ASSEMBLY
2	1	1001538	ARM, ADJUSTING
3	1	1001539	PIVOT, SEAL
4	1	1001540	LEVER
5	1	1001541	KIT, BREAK PADS
6	2	1001542	BOLT
7	2	1001543	NUT
8	1	1001544	PIN, PIVOT
9	1	1001545	ROD, PULL, ADJUSTING
10	1	1001546	WASHER, SPHERICAL
11	4	1001547	NUT
12	1	1001548	BOLT
13	2	1001549	CLIP, SAFETY
14	1	1001550	SPRING, TORSION
15	2	1001551	PIN, RETAINING
16	1	1001552	BODY
17	1	1001553	BRACKET, MOUNTING
18	2	1001554	BOLT, DOWEL
19	1	1001555	FLANGE, DISC
20	3	1001556	BOLT
21	2	1001557	SHIM, 0.5mm
22	2	1001558	SHIM, 1.5mm

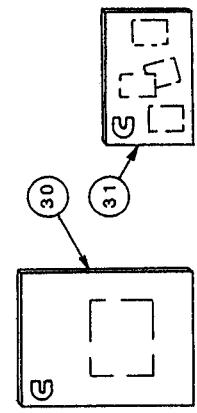
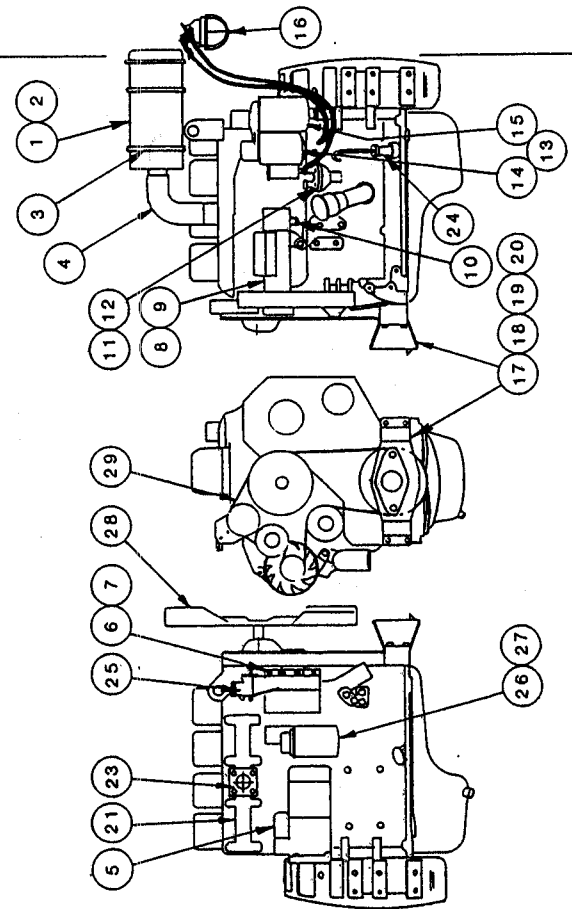


PARTS BREAKDOWN BILL OF MATERIAL

ITEM	QTY	PART NO	DESCRIPTION
1	1	1100230	PUMP, MAIN HYDRAULIC
2	1	1000145	BODY ASSY. L.H.
3	1	1000146	PLATE ASSY BEARING
4	1	1000449	POPPET
5	1	1001566	GEAR - IDLER (ITEMS 4 & 6 SOLD AS SET)
6	1	1000454	COVER ASSEMBLY
7	1	1001565	GEAR SHAFT DRIVE (ITEMS 6 & 4 SOLD AS SET)
8	1	1001570	GEAR IDLER (ITEMS 7 & 8 SOLD AS SET)
9	1	1001569	GEAR SHAFT DRIVE (ITEMS 8 & 7 SOLD AS SET)
10	1	1001567	PLATE GEAR
11	2	1001568	PIN DOWEL
12	1	1000155	COUPLING
13	1	1000450	SPRING
14	1	1000451	SPRING GUIDE
15	1	1001571	PLATE GEAR
16	1	1000452	SCREW, SET
17	1	1000453	O-RING
18	2	1001572	PIN DOWEL
19	4	1000162	PLATE, WEAR
20	4	1000163	SEAL PRELOAD
21	4	1000164	SEAL LOAD
22	4	1000165	SEAL RING
23	8	1000459	WASHER
24	1	1000168	SEAL OIL
25	8	1001573	STUD & NUT ASSEMBLY
26	2	1000440	PLUG, HEX HEAD
27	1	1000441	O-RING
28	1	1000442	PLUG
29	1	1000443	CAP
30	1	1000445	GASKET
31	1	1000446	SPRING
32	1	1000447	DISC, ORFICE
33	1	1000448	PISTON

PARTS BREAKDOWN BILL OF MATERIAL

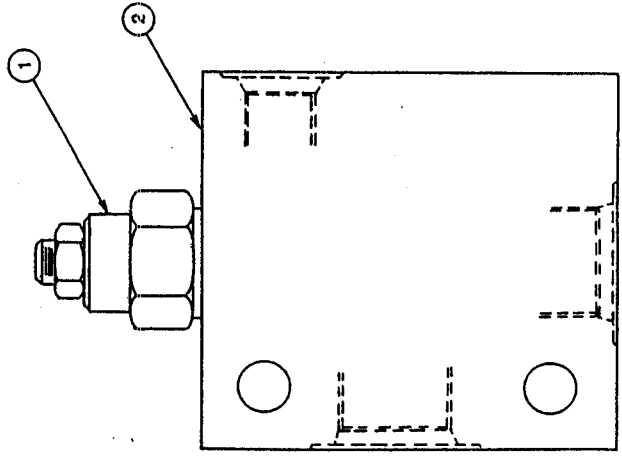
ITEM	QTY	PART NO	DESCRIPTION
1	1	1100272	POWER UNIT, CUMMINS DIESEL 4B3.9
2	1	1000106	AIR CLEANER
3	2	1000107	AIR CLEANER ELEMENT SMP
4	1	1000195	AIR CLEANER MOUNTING BANDS
5	1	1000184	ELBOW RUBBER 90 3"x3"
6	1	1000913	START-DELCO 12V ST9039 (PN 1113276)
7	1	1000974	ALTERNATOR BOSCH K1 (PN 0 120 488 205)
8	1	1000976	FUEL SHUTOFF VALVE, 12V, CAV-DPA
9	1	1000977	PUMP, INJECTION
10	1	1000187	KIT, SOLENOID
11	1	1000978	FUEL LIFT PUMP ASSY
12	1	1000979	PUMP, FUEL LIFT
13	1	1000980	FUEL FILTER/WATER SEPARATOR
14	1	1000080	FUEL FILTER W/O RING FF5038
15	1	1000081	FUEL FILTER/WATER SEP W/O RING FF5052
16	1	1000981	FUEL SEDIMENT BOWL FS9008
17	1	1000982	FRONT PUMP MOUNT SAE B
18	1	1000393	ENGINE COUPLING ADAPTER
19	1	1000394	BOLT
20	6	1000395	COUPLING, SPLINE
21	1	1001583	EXHAUST MANIFOLD
22	1	1000179	GASKET
23	1	1000196	DIPSTICK ASSY
24	1	1000112	THERMOSTAT EC9001
25	1	1000985	LUBE OIL FILTER ASSY
26	1	1000082	LUBE OIL FILTER CARTRIDGE (LF3345)
27	1	1000206	FAN FN9040
28	1	1000083	FAN BELT (PN 5080605)
29	1	1000059	PARTS MANUAL
30	1	1000060	OPERATION & MAINTENANCE MANUAL
31	1		



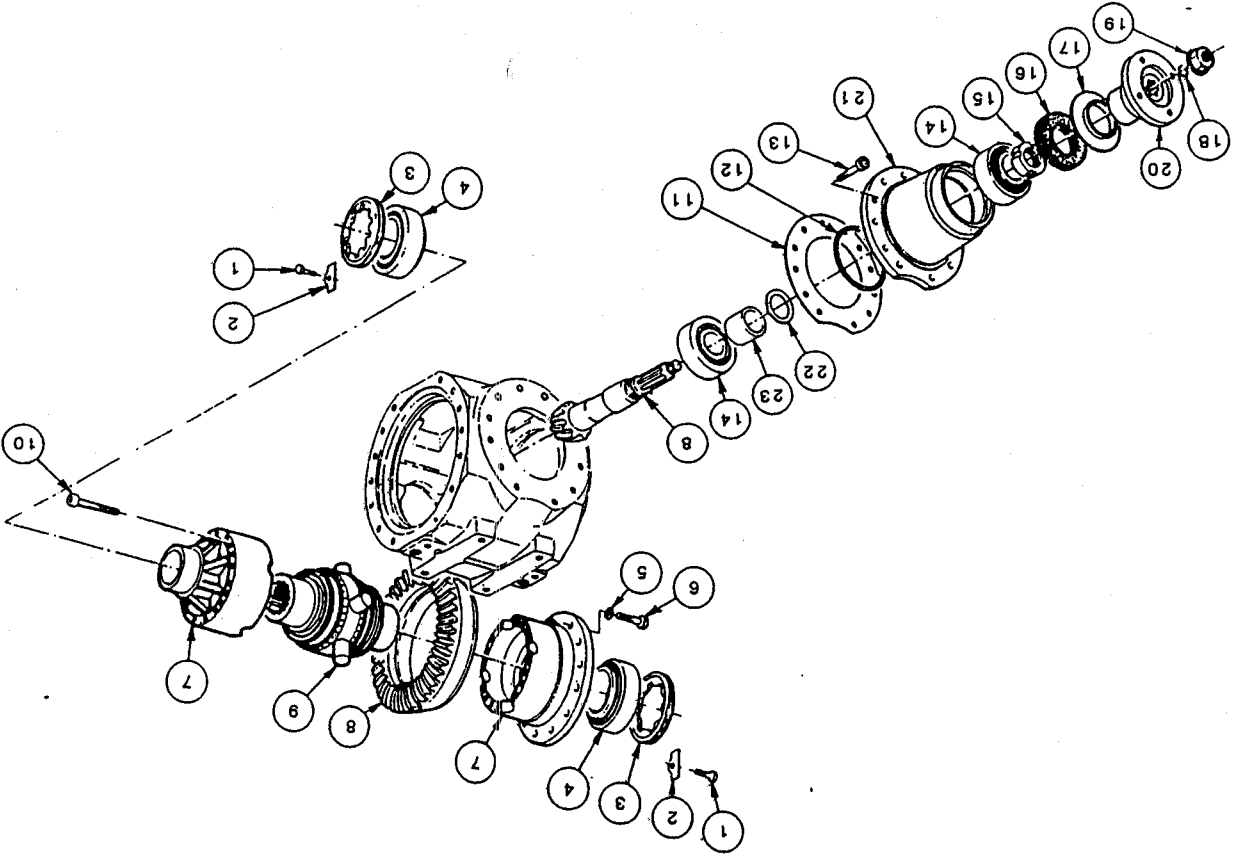
VALVE, COUNTERBALANCE 1100287

PARTS BREAKDOWN BILL OF MATERIAL

ITEM	QTY	PART NO	DESCRIPTION
1	1	1100287	VALVE, COUNTERBALANCE
2	1	1001321	CARTRIDGE, VALVE
	1	1000811	BODY, VALVE



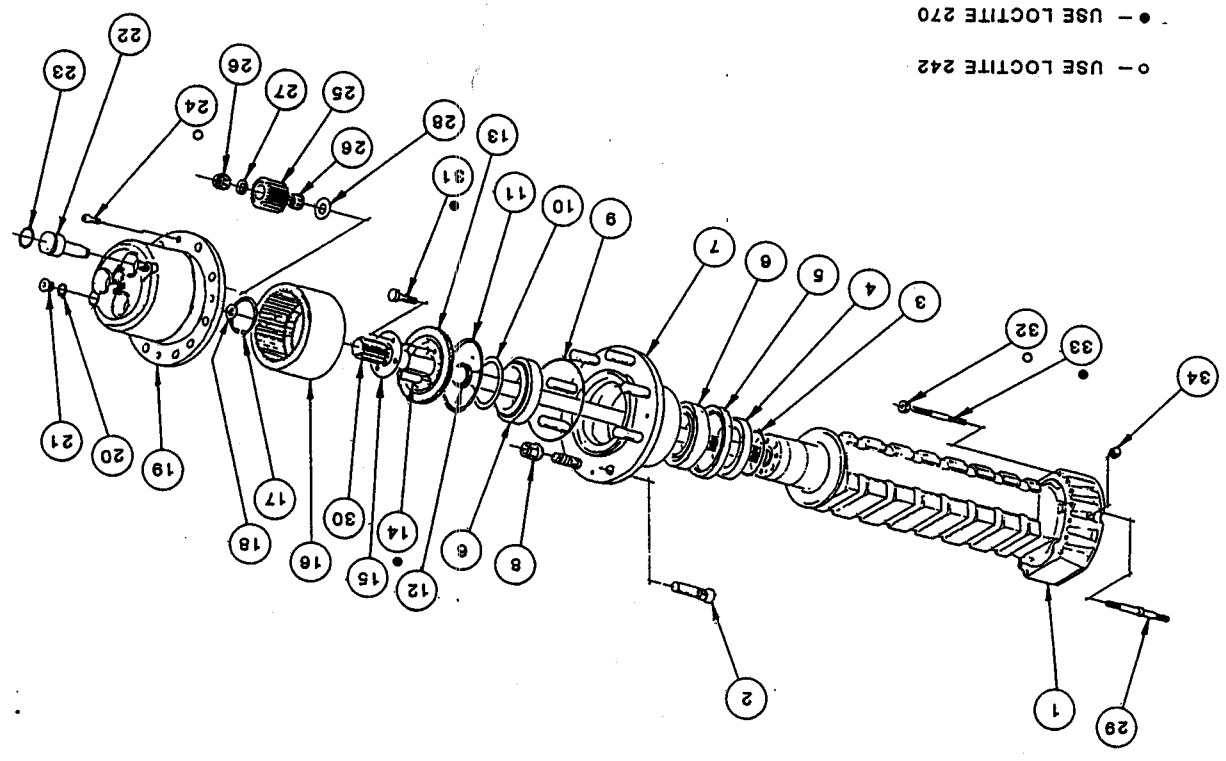
AXLE, STEERING RIGID, NoSPIN DIFFERENTIAL 1100336



PARTS BREAKDOWN BILL OF MATERIAL

ITEM	QTY	PART NO	DESCRIPTION
1	2	1100336	AXLE, RIGID DRIVE, NoSPIN DIFFERENTIAL
2	2	1000862	HEXAGON BOLT
3	2	1000863	SHEET
4	2	1000864	RING NUT
5	2	1000865	TAPER ROLLER BEARING
6	16	1000866	SPRING WASHER
7	16	1000867	HEXAGON BOLT
8	1	1000868	DIFFERENTIAL CASE
9	1	1001777	BEVEL GEAR SET
10	16	1000870	NO SPIN DIFFERENTIAL
11	1	1000871	CYLINDER BOLT
12	1	1000872	SHIM (.04-.07)
13	1	1000873	O-RING
14	12	1001778	CYLINDER BOLT
15	2	1000875	TAPER ROLLER BEARING
16	1	1000876	RING NUT
17	1	1000877	SEAL
18	1	1000878	COVERPLATE
19	1	1000879	O-RING
20	1	1000880	NUT
21	1	1000881	FLANGE
22	1	1001779	COVER
23	1	1000883	SHIM (.0282-.0285, .1203-.1204)
		1001780	SPACER (.06)

1100337
 AXLE, RIGID DRIVE, PLANETARY



PARTS BREAKDOWN BILL OF MATERIAL

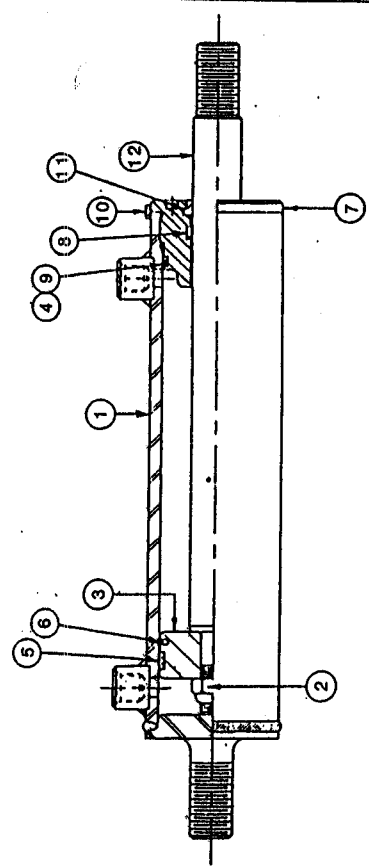
ITEM	QTY	PART NO	DESCRIPTION
1	1	1100337	AXLE, RIGID DRIVE, PLANETARY
2	2	1001782	LATERAL AXLE HOUSING
3	16	1000897	WHEEL STUD
4	2	1000898	O-RING
5	2	1000899	SPACER
6	2	1000900	SEAL
7	4	1000901	TAPER ROLLER BEARING
8	2	1000902	WHEEL HUB
9	16	1000903	WHEEL NUT
10	2	1000904	O-RING
11	2	1001783	SHIM
12	2	1001784	SHIM
13	2	1001785	SHIM
14	2	1001786	SHIM
15	2	1001787	SHIM
16	2	1000907	SNAP RING
17	2	1001790	SEAL
18	2	1001791	RING GEAR SUPPORT
19	8	1000910	DOWEL
20	2	1001792	LOCKING PLATE
21	2	1001793	RING GEAR
22	2	1000912	CIRCLIP
23	2	1000913	FRICITION WASHER
24	2	1000914	PLANET GEAR CARRIER
25	2	1000915	SEAL WASHER
26	2	1000916	PLUG
27	6	1000917	PIN
28	6	1000918	O-RING
29	8	1000919	CYLINDER BOLT
30	6	1000923	PLANET GEAR
31	12	1000924	NEEDLE BEARING
32	6	1000920	SPACER
33	6	1000925	FRICITION WASHER
34	4	1001794	STUD
35	2	1001795	HALF SHAFT
36	8	1000922	HEX BOLT
37	28	1001796	NUT
38	24	1001797	STUD
39	2	1000939	PLUG

CYLINDER, STEERING

1200030

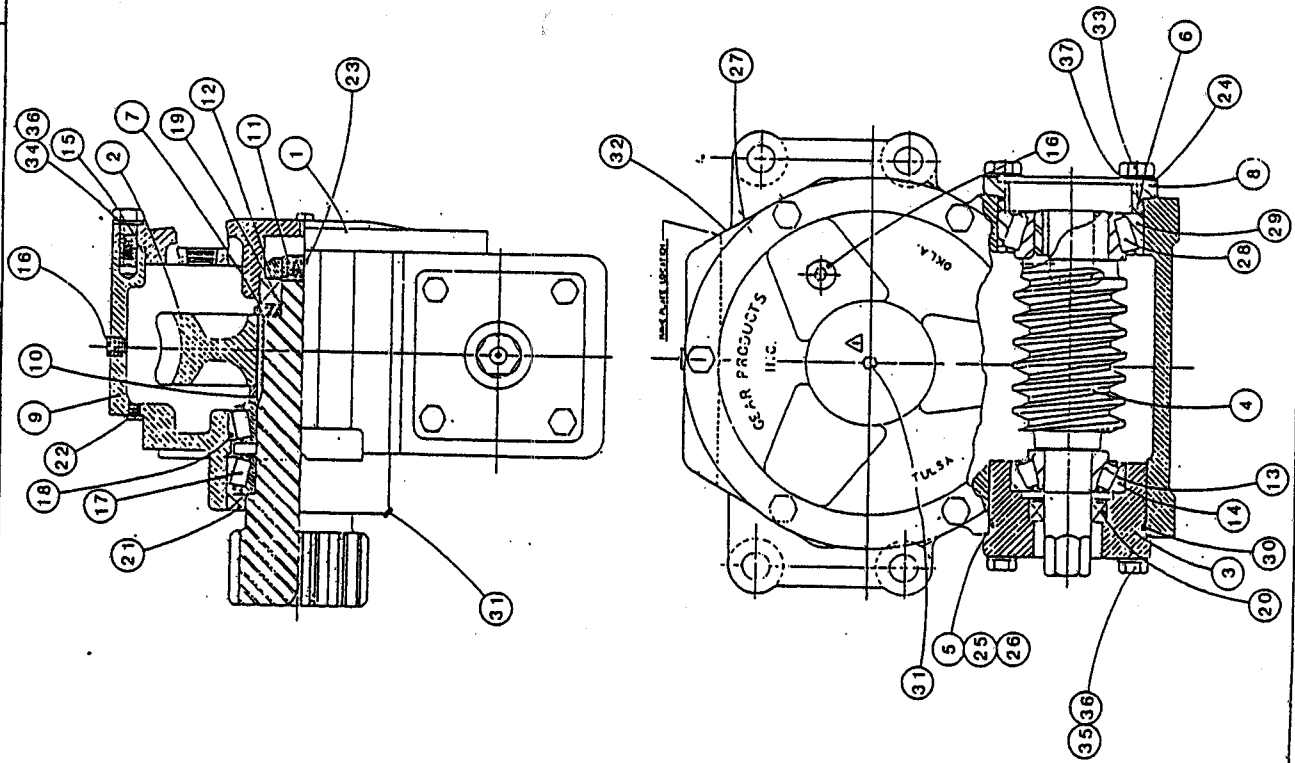
PARTS BREAKDOWN BILL OF MATERIAL

ITEM	QTY	PART NO	DESCRIPTION
1	1	1200030	CYLINDER, STEERING
2	1	1000498	TUBE CYLINDER
3	1	1000503	NUT
4	1	1000500	PISTON ASSY
5	1	1000508	O-RING
6	1	1000505	RING-WEAR
7	1	1000504	SEAL, PISTON
8	1	1000501	ROD BEARING
9	1	1000506	SEAL, ROD
10	1	1000509	RING, BACK-UP
11	1	1000502	CAPSCREW
12	1	1000499	WIPER
13	UAR	1000818	SEAL KIT (ITEMS 4,5,6,8,9 & 11)



GEAR REDUCER, SWING

1200031



PARTS BREAKDOWN BILL OF MATERIAL

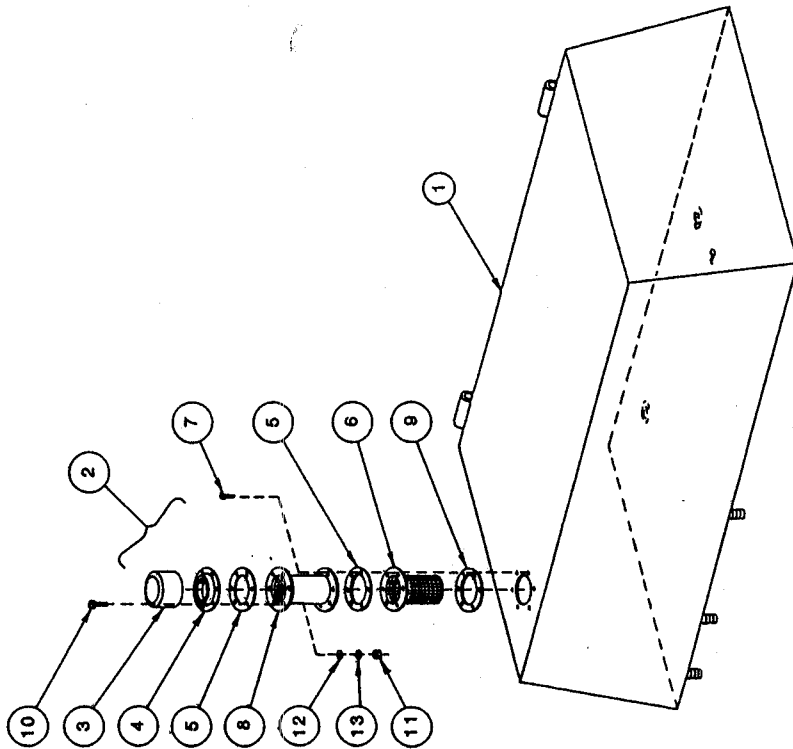
ITEM	QTY	PART NO	DESCRIPTION
1	1	1200031	GEAR REDUCER, SWING
2	1	1000640	COVER, HOUSING
3	1	1000641	GEAR WORM
4	1	1000642	CONTAINER, BEARING
5	1	1000643	WORM
6	1	1000644	GASKET
7	1	1000645	O-RING PARKER #2-234
8	1	1000646	SPACER
9	1	1000647	RETAINER, BEARING
10	1	1000648	HOUSING, WORM GEAR
11	1	1000649	SPACER
12	1	1000650	SHAFT, OUTPUT PINION
13	1	1000651	NUT, CASTELL
14	1	1000652	BEARING, CONE #23100
15	1	1000653	BEARING, CUP #23256
16	2	1000654	O-RING PARKER #2-260
17	2	1000655	PLUG, PIPE 3/8" NPT
18	2	1000656	BEARING, CONE #LM104947A
19	1	1000657	BEARING, CUP #JLM104910
20	1	1000658	BEARING, BALL NTN#6205
21	1	1000659	SEAL, NATIONAL #471689
22	1	1000660	SEAL, NATIONAL #412119
23	1	1000661	PLUG, VENT
24	1	1000662	KEY, COTTER 1/8 X 1-1/2
25	2	1000663	GASKET, HYD. MOTOR (1/32)
26	1	1000664	SHIM, METAL (1/64)
27	2	1000665	SHIM, METAL (1/32)
28	2	1000379	DRIVE SCREW
29	1	1000581	BEARING, CONE #M802048
30	1	1000582	BEARING, CUP #M802011
31	1	1000585	O-RING PARKER #2-236
32	1	1000592	PLUG, ALEMITE #328224
33	2	1000593	LABEL PLATE
34	6	113-417	CAPSCREW, 1/2" X 1.25" NC HEX
35	4	113-207	CAPSCREW, 3/8 X 1.00" NC HEX
36	10	113-208	CAPSCREW, 3/8 X 1.25" NC HEX
37	2	192-21	WASHER, LOCK STD 3/8"
	2	195-533	WASHER, FLAT 1/2"

TANK ASSEMBLY, HYDRAULIC OIL

1200066

PARTS BREAKDOWN BILL OF MATERIAL

ITEM	QTY	PART NO	DESCRIPTION
1	1	1200066	TANK ASSEMBLY, HYDRAULIC OIL
2	1	1300061	TANK, HYDRAULIC OIL
3	1	1000380	FILLER CAP ASSY
4	1	1000788	FILLER CAP
5	2	1000789	FLANGE GASKETS
6	1	1000791	FLANGED STRAINER SCREEN
7	6	187-1056	SELF TAPPING MOUNTING SCREWS
8	1	1100253	STAND PIPE
9	1	1001282	GASKET
10	6	174-100	MACHINE SCREW #10-32 X .75"
11	6	129-37	NUT #10-32
12	6	195-513	WASHER - FLAT #10
13	6	192-18	WASHER - LOCK #10



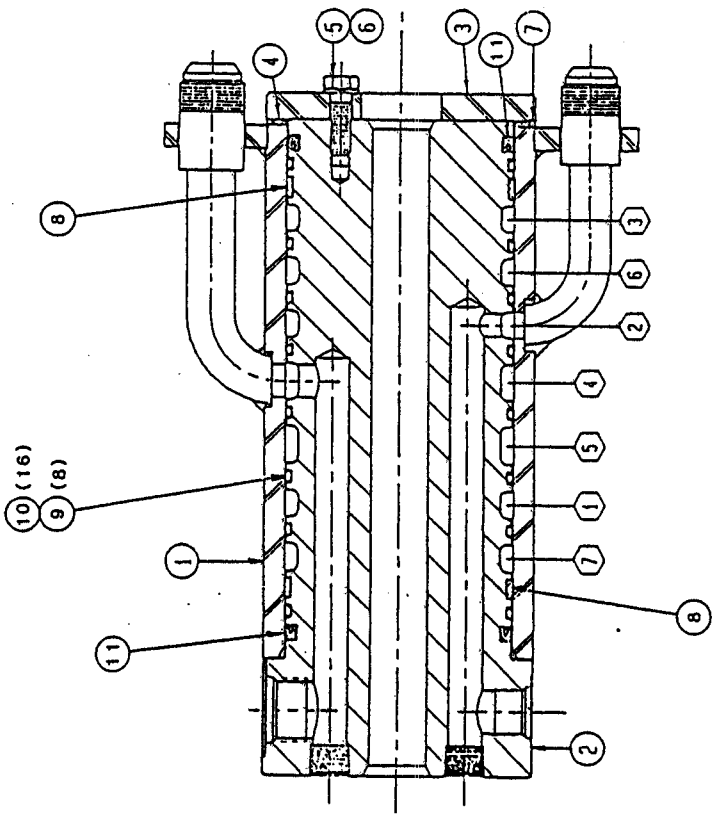
ITEM 2 CONSISTS OF ITEMS 3,4,5,6 & 7.

1200076

SWIVEL, HYDRAULIC, 7 PORT

PARTS BREAKDOWN BILL OF MATERIAL

ITEM	QTY	PART NO	DESCRIPTION
1	1	1200076	SWIVEL, HYDRAULIC, 7 PORT
2	1	1000487	HOUSING
3	1	1000488	STEM
4	1	1000489	FLANGE
5	3	1000490	WASHER, THRUST
6	3	1000491	BOLT - 3/8
7	1	1000492	WASHER, LOCK 3/8
8	2	1000493	O-RING
9	8	1000494	RING, WEAR
10	16	A27507	O-RING
11	2	S76928	WASHER, BACKUP
12	UAR	1000495	END
		1000496	SEAL KIT, (ITEMS 7 THRU 11)



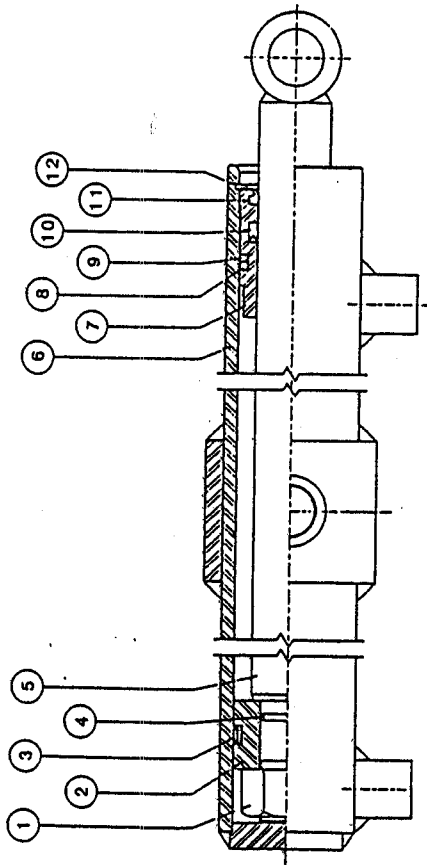
NO'S. ARE PORT DESIGNATIONS

1200077

CYLINDER, OUTRIGGER HORIZONTAL

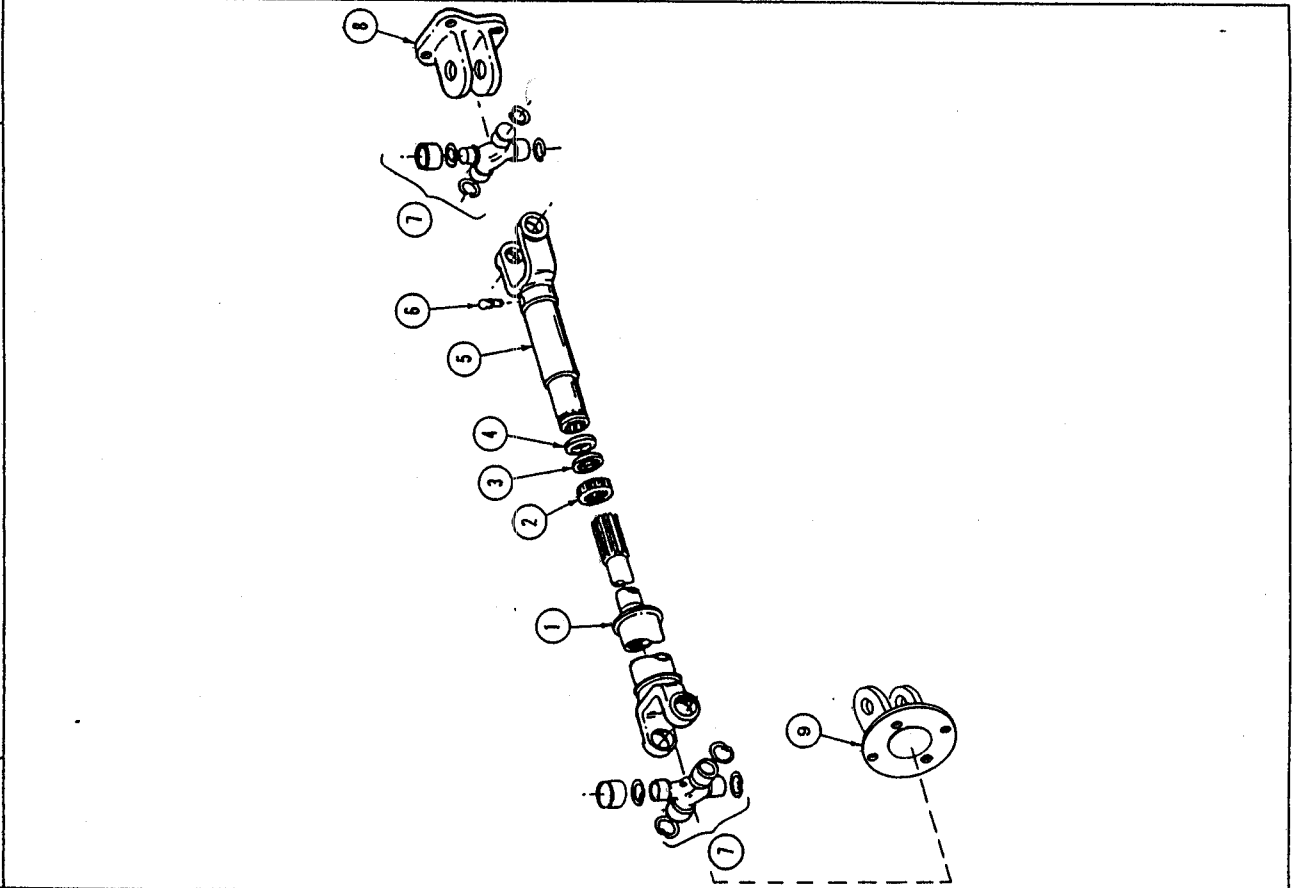
PARTS BREAKDOWN BILL OF MATERIAL

ITEM	QTY	PART NO	DESCRIPTION
1	1	1200077	CYLINDER, OUTRIGGER HORIZONTAL
2	1	1000627	NUT - LOCK 3/4-16
3	1	1000628	PISTON
4	1	1000629	DURA-PAK
5	1	1000630	O-RING 5/8 ID X 3/4 OD
6	1	1000631	ROD - PISTON
7	1	1000632	BODY - CYLINDER
8	1	1000633	GUIDE
9	1	1000634	O-RING 1.25 ID X 1.5 OD
10	1	1000635	RING - BACK UP
11	1	1000636	CLIP - U CUP
12	1	1000637	RING - WIPER
13	1	1000638	RING - RETAINING
	UAR	1000639	SEAL KIT (ITEMS 3,4,8,9,10,11 & 12)



1200125

SHAFT, DRIVE (4 WHEEL STEER)

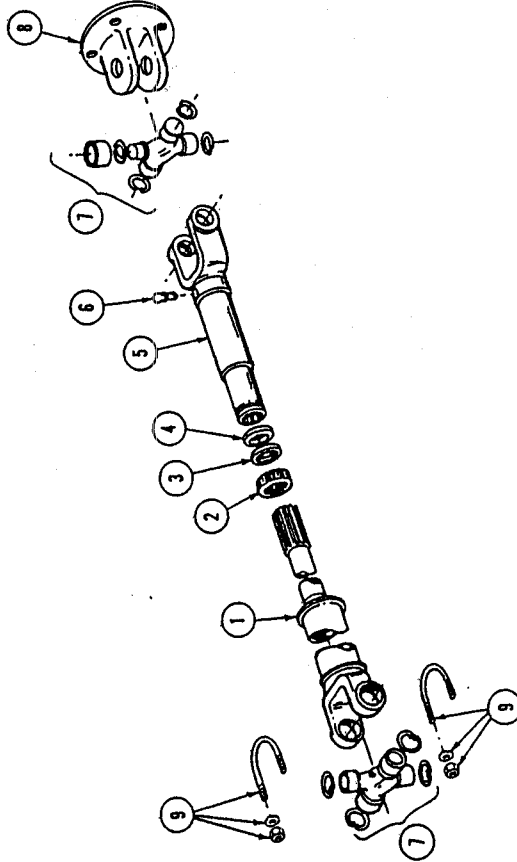


PARTS BREAKDOWN BILL OF MATERIAL

ITEM	QTY	PART NO	DESCRIPTION
1	1	1200125	SHAFT, DRIVE (4 WHEEL STEER)
2	1	1001585	SHAFT SUBASSEMBLY
3	1	H299321	CAP, DUST
4	1	H299347	WASHER, STEEL
5	1	R13997	WASHER, CORK
6	1	R13989	SLEEVE, YOKE ASSEMBLY
7	2	219-8	FITTING, GREASE
8	1	R2713	KIT, BEARING & JOURNAL
9	1	S80726	YOKE, FLANGE
		1001584	FLANGE END

1200127

SHAFT, DRIVE (2 WHEEL STEER)



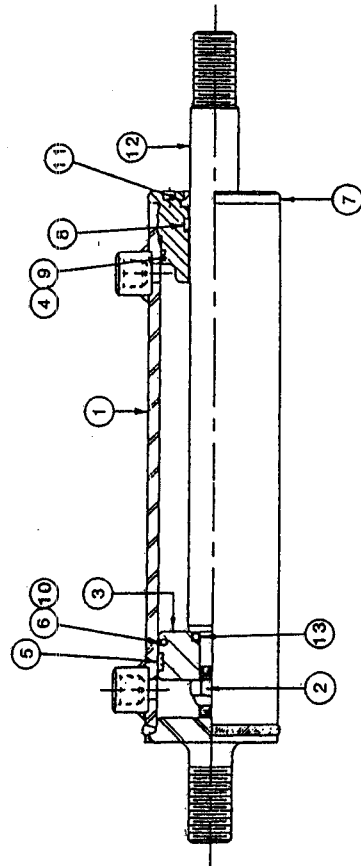
PARTS BREAKDOWN BILL OF MATERIAL

ITEM	QTY	PART NO	DESCRIPTION
1	1	1200127	SHAFT, DRIVE (2 WHEEL STEER)
2	1	1001585	SHAFT, SUBASSEMBLY
3	1	H299321	CAP, DUST
4	1	H299347	WASHER, STEEL
5	1	R13997	WASHER, CORK
6	1	R13989	SLEEVE, YOKE ASSEMBLY
7	2	219-8	FITTING, GREASE
8	1	R2713	KIT, BEARING & JOURNAL
9	2	1001584	FLANGE END
		S80602	U-BOLT

CYLINDER, STEERING 1200165

PARTS BREAKDOWN BILL OF MATERIAL

ITEM	QTY	PART NO	DESCRIPTION
1	1	1200165	CYLINDER, STEERING
2	1	1001380	TUBE ASSEMBLY
3	1	1001381	NUT
4	1	1001382	PISTON
5	1	1001387	O-RING
6	1	1001384	WEAR RING
7	1	1001385	SEAL
8	1	1001391	HEAD
9	1	1001377	SEAL
10	1	1001388	BACK-UP RING
11	1	1001386	O-RING
12	1	1001389	WIPER
13	1	1001390	ROD
14	UAR	1001383	O-RING
		1001392	SEAL KIT (ITEMS 4,5,6,8,9,10,11 & 13)



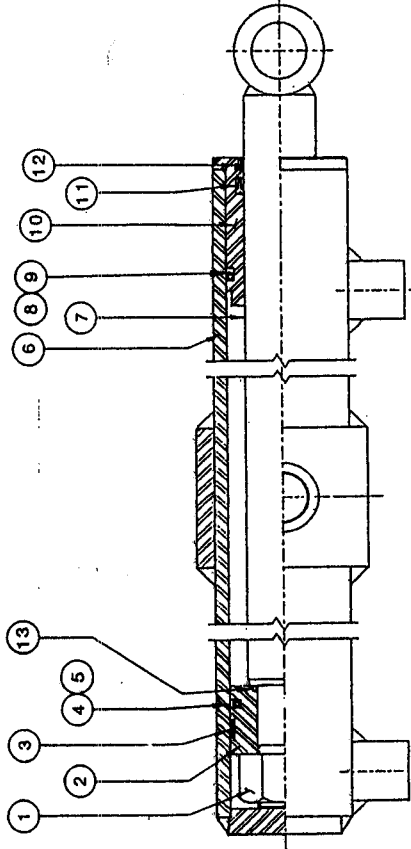
NOTE: TORQUE NUT (ITEM 2) TO 100 FT-LB

CYLINDER, OUTRIGGER HORIZONTAL

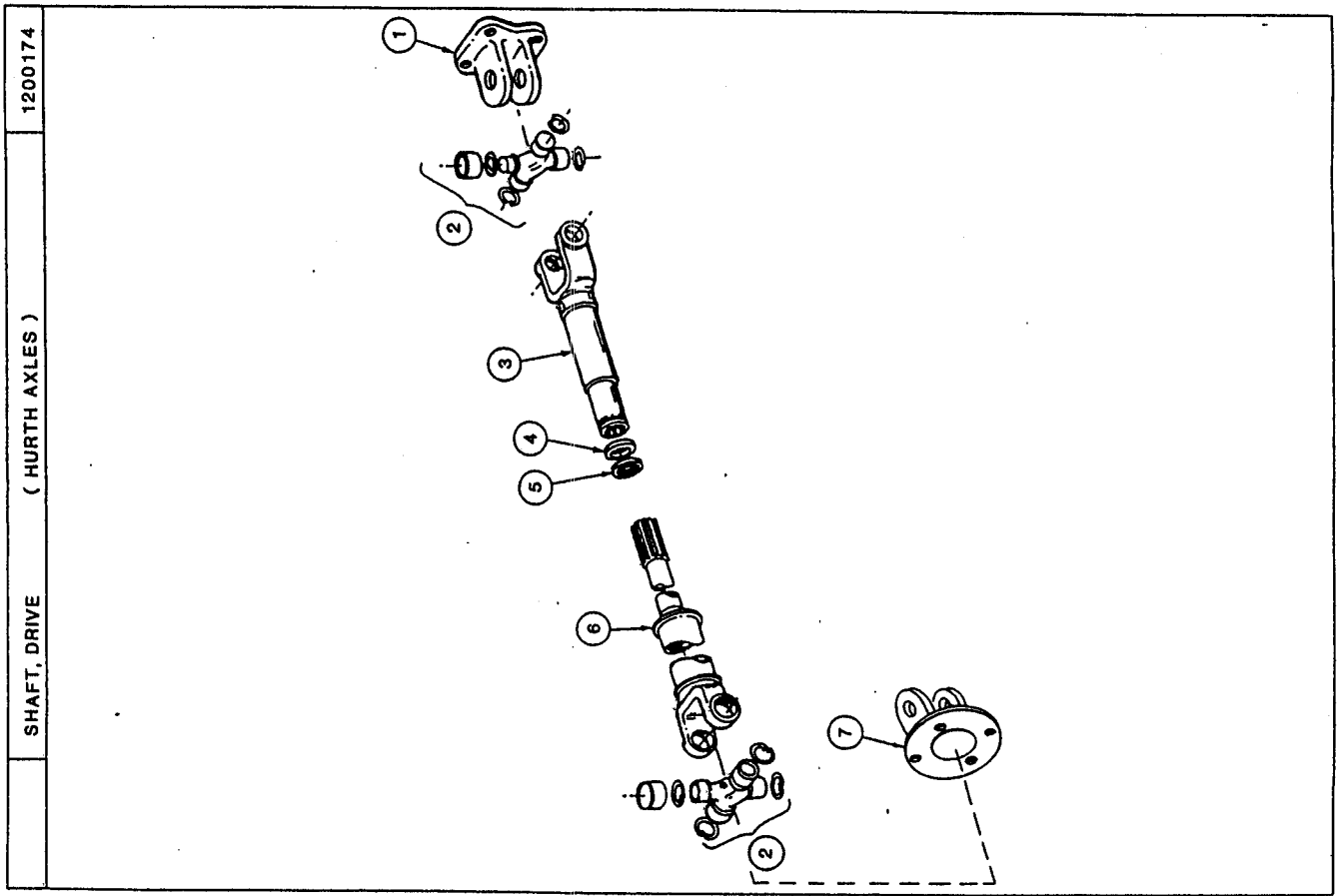
1200166

PARTS BREAKDOWN BILL OF MATERIAL

ITEM	QTY	PART NO	DESCRIPTION
1	1	1200166	CYLINDER, OUTRIGGER HORIZONTAL
2	1	1001366	NUT
3	1	1001370	PISTON
4	1	1001367	WIPER
5	1	1001369	SEAL
6	1	1001368	O-RING
7	1	1001372	TUBE ASSEMBLY
8	1	1001374	ROD ASSEMBLY
9	1	1001375	O-RING
10	1	1001376	BACK-UP RING
11	1	1001377	SEAL
12	1	1001378	WIPER
13	1	1001371	O-RING
14	UAR	1001379	SEAL KIT (ITEMS 3,4,5,8,9,11,12 & 13)



NOTE: TORQUE NUT (ITEM 1) TO 25 FT-LB



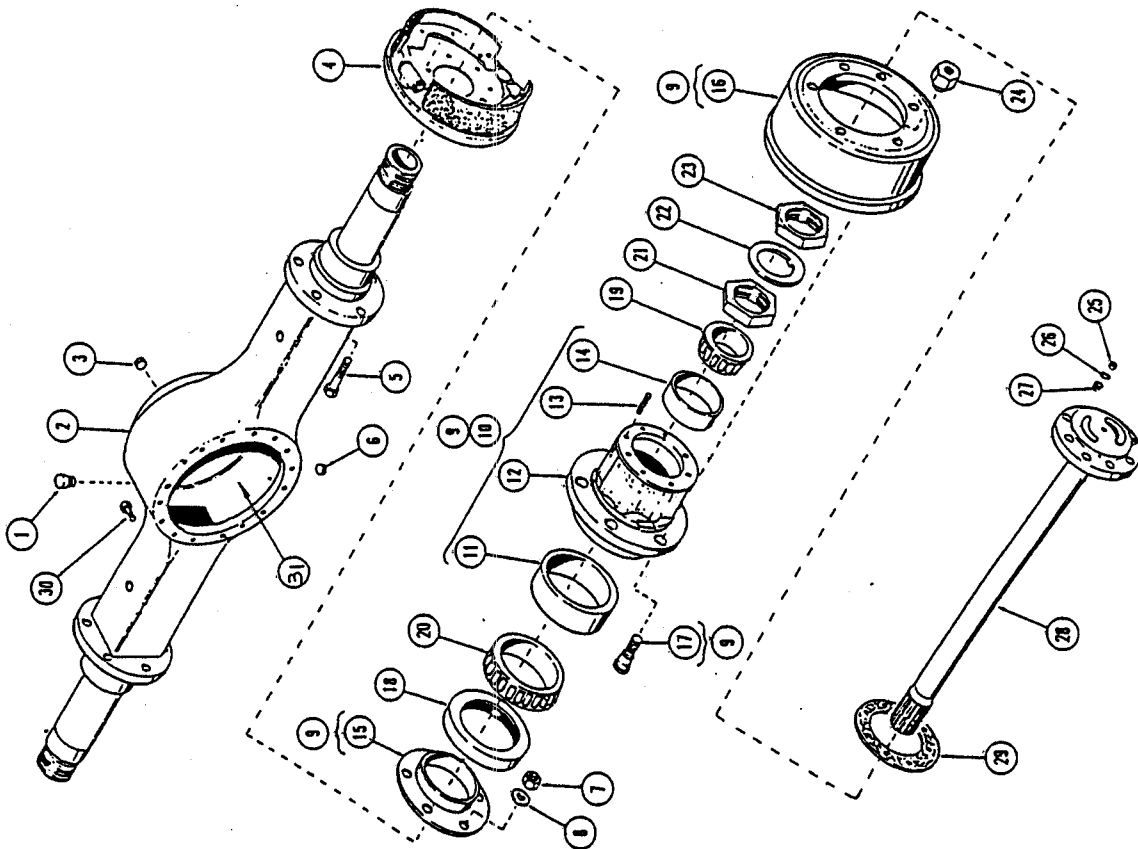
SHAFT, DRIVE (HURTH AXLES) 1200174

PARTS BREAKDOWN BILL OF MATERIAL

ITEM	QTY	PART NO	DESCRIPTION
1	1	1200174	DRIVE SHAFT ASSEMBLY (HURTH AXLES, RIGID & STEER)
2	2	1001678	FLANGE YOKE
3	1	1001679	C & B ASSEMBLY
4	1	1001680	SLIP YOKE
5	1	1001681	CORK WASHER
6	1	1001682	STEEL WASHER
7	1	1001683	SHAFT ASSEMBLY
		1001684	FLANGE YOKE

1300002

AXLE, DRIVE WITH NOSPIN



PARTS BREAKDOWN BILL OF MATERIAL

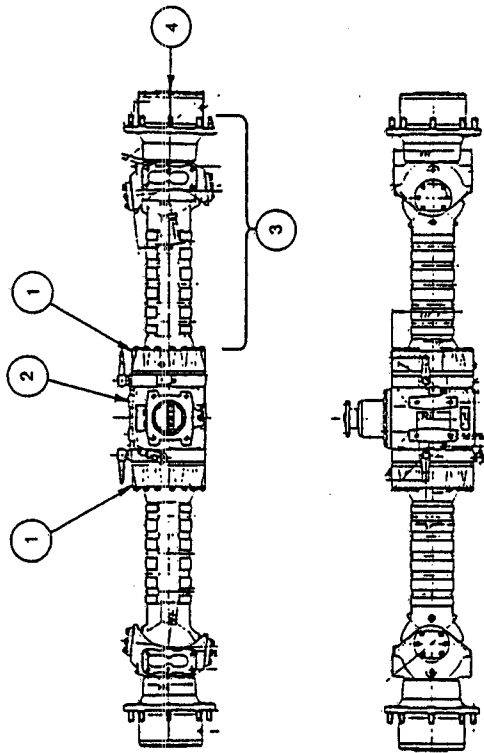
ITEM	QTY	PART NO	DESCRIPTION
1	1	1300002	AXLE, DRIVE WITH NOSPIN
2	1	A12928	BREATHER
3	1	S236478	HOUSING
4	2	221-845	PLUG, FILLER 1/4 PT MALE
5	12	S236479	BRAKE ASSEMBLY (SEE SEPARATE PLATE)
6	1	28-820	BOLT-1/2 X 1.25 NF (GRADE 8)
7	12	221-845	PLUG, DRAIN 3/4 PT MALE
8	12	129-545	NUT-1/2 NF
9	2	D47366	WASHER-FLAT 1/2
10	1	S236480	HUB & DRUM ASSEMBLY
11	1	S114323	HUB & STUD ASSY
12	1	H397661	CUP, BEARING, INNER
13	8	NSS	HUB
14	1	S114325	STUD
15	1	33260	CUP, BEARING, OUTER
16	1	S114327	SLINGER, OIL
17	12	S114326	DRUM, BRAKE
18	12	1000129	STUD, WHEEL (RH)
19	2	S114330	SEAL, OIL
20	2	A7891	CONE, BEARING, OUTER
21	2	S114331	CONE, BEARING, INNER
22	2	S114332	NUT, WHEEL BEARING, INNER
23	2	S114333	WASHER, LOCK
24	12	S114334	NUT, WHEEL BEARING, OUTER
25	16	A12522	NUT, WHEEL STUD (RH)
26	16	129-530	NUT
27	16	F9809	WASHER, LOCK
28	2	S116805	DOWEL
29	2	S114336	SHAFT, AXLE
30	2	114-308	GASKET
31	1	S514498	BOLT-7/17 X .75 NF DIFFERENTIAL-NOSPIN (SEE SEPARATE PLATE)

1300024

AXLE, STEERING DRIVE WITH NOSPIN

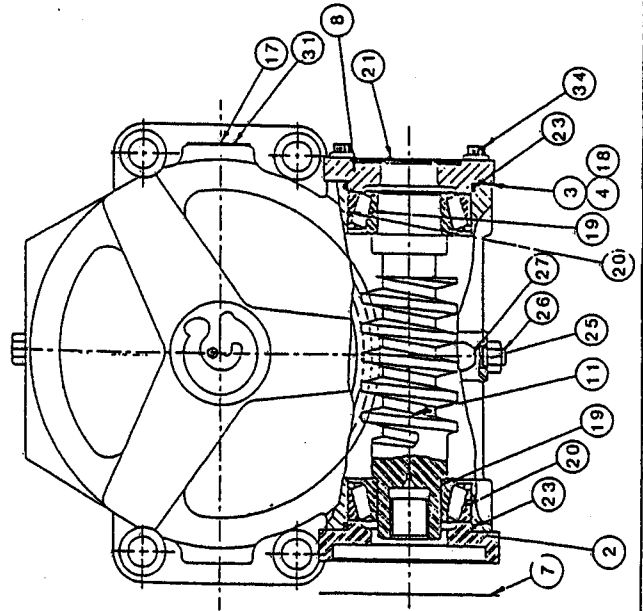
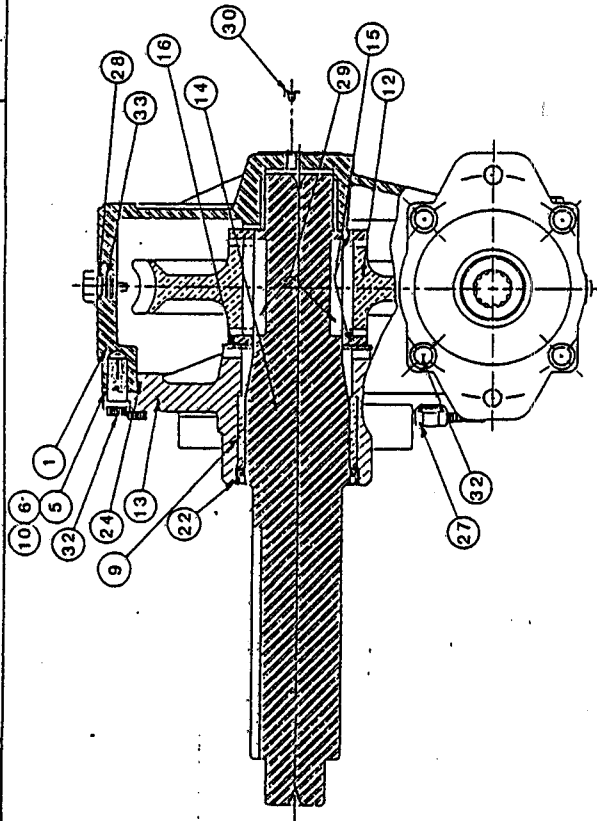
PARTS BREAKDOWN BILL OF MATERIAL

ITEM	QTY	PART NO	DESCRIPTION
-	-	1300024	AXLE, STEERING DRIVE WITH NOSPIN
1	1	1100138	HOUSING COVERS (SEE SEPARATE PLATE)
2	1	1100139	NO SPIN DIFFERENTIAL (SEE SEPARATE PLATE)
3	1	1100140	PLANETARY, STEER AXLE (SEE SEPARATE PLATE)
4	1	1100141	BRAKE WITH 10 DISKS (SEE SEPARATE PLATE)



GEAR REDUCER, HOIST

1300059



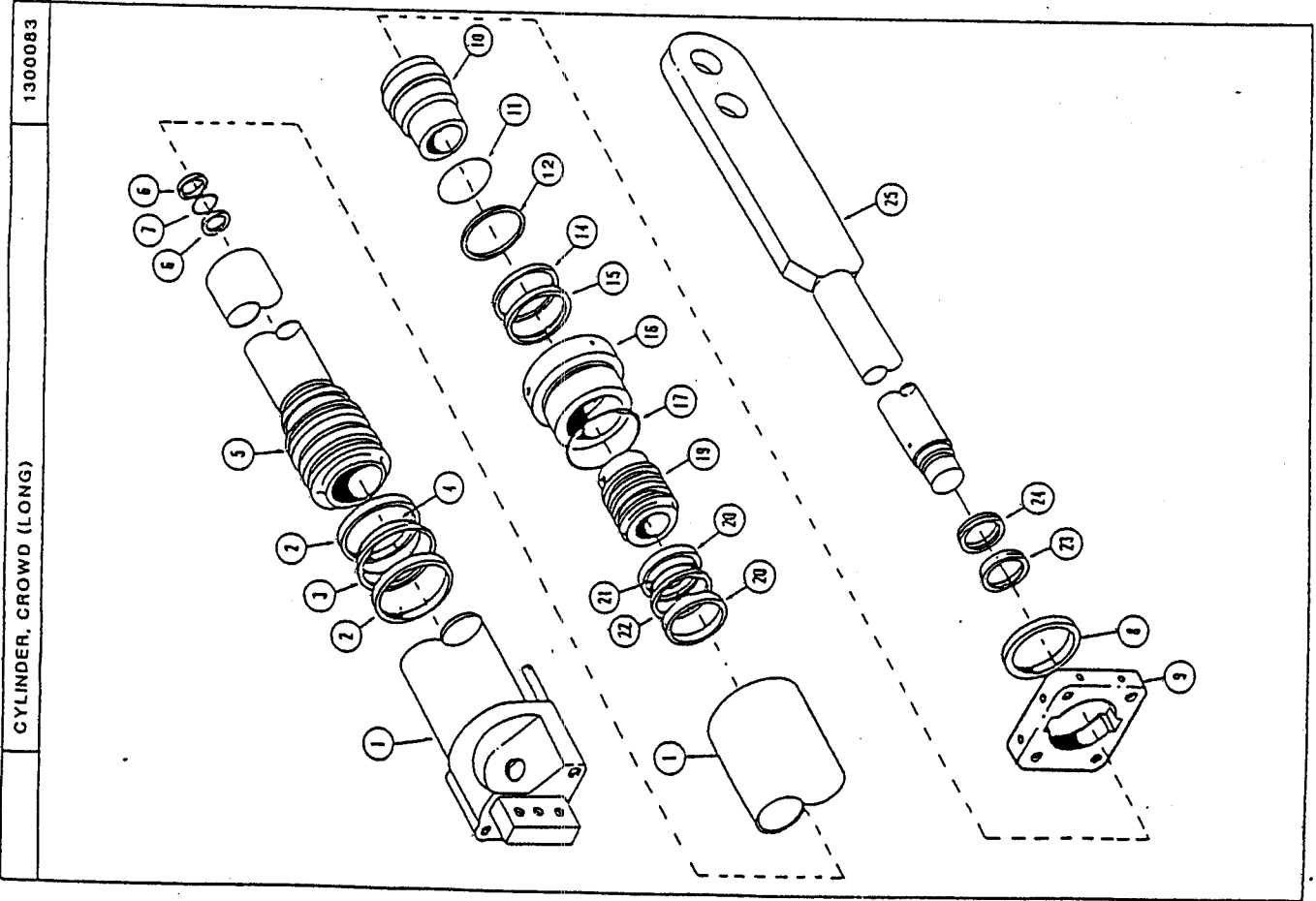
PARTS BREAKDOWN BILL OF MATERIAL

ITEM	QTY	PART NO	DESCRIPTION
1	1	1300059	GEAR REDUCER, HOIST
1	1	1000563	HOUSING, MAIN W/BUSHING
2	1	1000564	ADAPTOR, MTR, SAE B
3	2	1000565	SHIM (.005")
4	2	1000566	SHIM (.015")
5	1	1000567	SHIM, COVER (.005")
6	1	1000568	SHIM, COVER (1/64)
7	1	1000569	GASKET, SAE B2
8	1	1000570	RETAINER, BEARING
9	1	1000571	BUSHING, BRONZE
10	3	1000572	SHIM, COVER (1/32)
11	1	1000573	WORM, INPUT, SAE B -15:1
12	1	1000574	GEAR, WORM
13	1	1000575	COVER, MAIN HOUSING
14	1	1000576	SHAFT, OUTPUT KEYED
15	2	1000577	RING, THRUST
16	1	1000578	SPACER
17	2	1000579	DRIVE SCREW
18	2	1000580	SHIM (.030")
19	2	1000581	BRG, CONE #M802048
20	2	1000582	BRG, CUP #M802011
21	1	1000583	PLUG, EX.
22	1	1000584	SEAL, C.R. #26110
23	2	1000585	O-RING, PARKER #2-236
24	1	1000586	O-RING, PARKER #2-266
25	1	1000587	BUSHING, REDUCER
26	1	1000588	PLUG, VENT
27	2	1000589	PLUG, STR. THD
28	1	1000590	O-RING, PARKER #3-906
29	2	1000591	KEY, 3/8 X 9/16
30	1	1000592	PLUG, ALEMITE 328224
31	1	1000593	LABEL PLATE
32	16	1000594	CAPSCREW, FERRY 7/16 NC X 1.00"
33	1	1000595	PLUG, MAGNETIC
34	4	1000596	CAPSCREW, FERRY 7/16 NC X 1.25"

CYLINDER, CROWD (LONG) 1300083

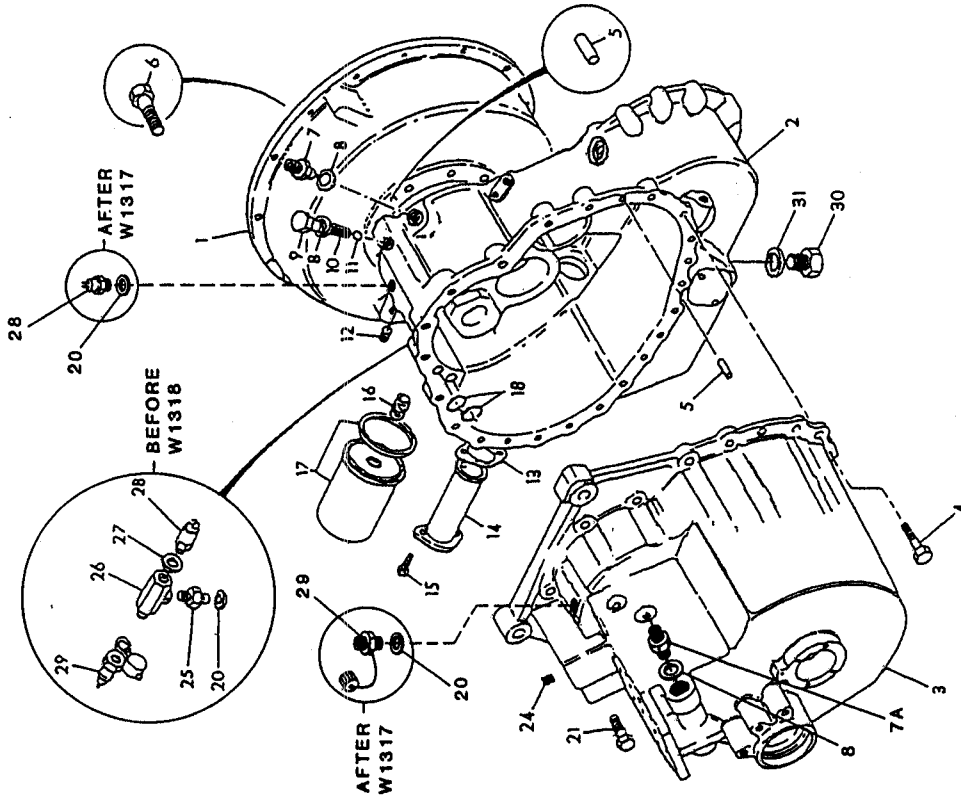
PARTS BREAKDOWN BILL OF MATERIAL

ITEM	QTY	PART NO	DESCRIPTION
1	1	1300083	CYLINDER, CROWD (LONG)
2	1	1001134	TUBE ASSEMBLY
3	2	1001151	RING, WEAR
4	1	1001149	SEAL
5	1	1001150	LOADER
6	1	1001135	TUBE ASSEMBLY
7	2	1001153	RING, BACKUP
8	1	1001152	O-RING
9	1	F11296	RING, RETAINING
10	1	S229845	GUIDE-BEARING (3-SECT BOOM)
11	1	S237647	GUIDE-BEARING (4-SECT BOOM)
12	1	1001139	GLAND
13	1	1001144	O-RING
14	1	1001145	RING, BACKUP
15	1	1001143	WIPER
16	1	1001142	SEAL
17	1	1001138	GLAND
18	1	1001154	O-RING
19	1	1001137	PISTON
20	2	1001146	RING, WEAR
21	1	1001148	LOADER
22	1	1001147	SEAL
23	1	1001140	SEAL
24	1	1001141	WIPER
25	1	1001136	ROD ASSEMBLY
26	1	1001155	SEAL KIT



POWERSHIFT TRANSMISSION, EXTERNAL COMPONENTS 1300092

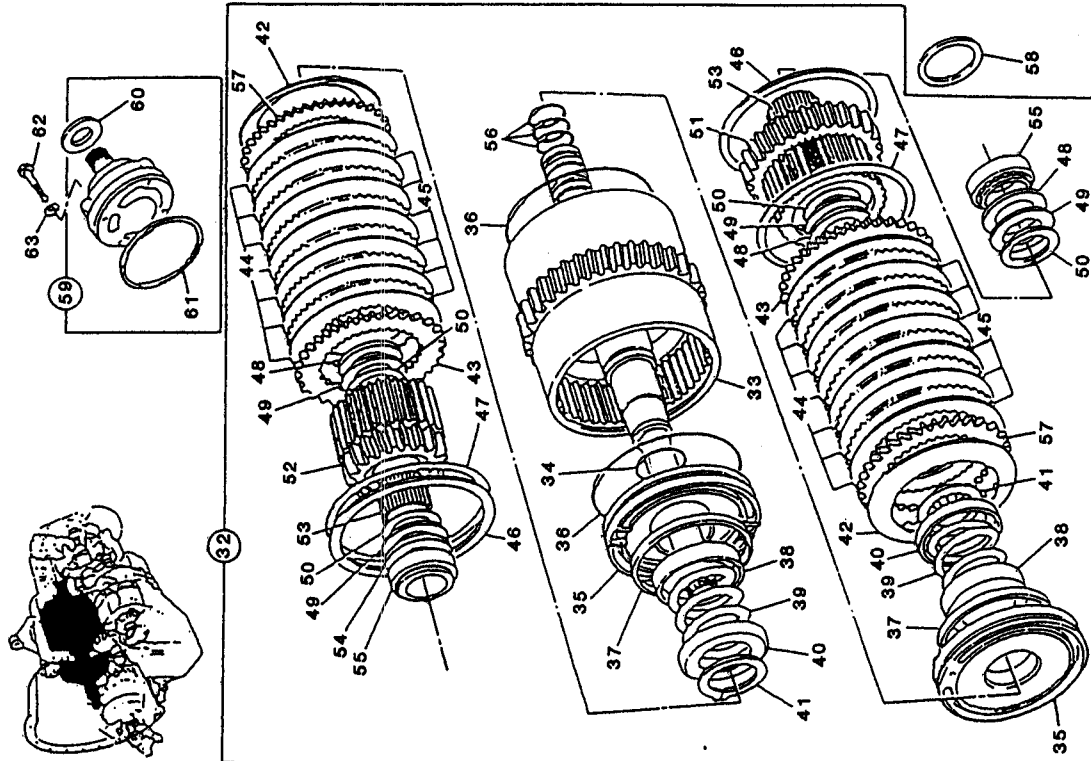
ITEMS 1 THRU 31



PARTS BREAKDOWN BILL OF MATERIAL

ITEM	QTY	PART NO	DESCRIPTION
1	1	1300092	TRANSMISSION, POWERSHIFT
	1	1001423	HOUSING, FLYWHEEL (BEF. W1318)
	1	1001614	HOUSING, FLYWHEEL (AFT. W1317) REPLACED BY 1001623
2	1	1001623	HOUSING, FLYWHEEL (REPLACES 1001614)
	1	1001424	CASING, FRONT (REPLACED BY 1001624)
3	1	1001624	CASING, FRONT (REPLACES 1001424)
	1	1001425	CASING, REAR (BEF. W1318)
	1	1001612	CASING, REAR (AFT. W1317) REPLACED BY 1001804
4	19	1001804	CASING, REAR (REPLACES 1001612)
5	6	1001426	BOLT (BEFORE ITL SER. NO. 460/304 00048)
6	11	1001428	SCREW, M10 X 35
7	1	1001429	ADAPTER
7A	1	1001801	ADAPTER, EXTENDED
8	3	1001430	WASHER, SEAL 1/2" BSP
9	1	1001431	PLUG
10	1	1001432	SPRING
11	1	1001433	BALL
12	8	1001434	PLUG
13	1	1001435	GASKET
14	1	1001436	STRAINER, SUCTION
15	2	1001437	CAPSCREW, MB X 16
16	1	1001438	ADAPTER, FILTER (BEF. ITL SER. NO. 460/304 00048)
	1	1001625	ADAPTER, FILTER (AFT. ITL SER. NO. 460/304 00047)
17	1	1001304	OIL FILTER ELEMENT-DIESEL ENG.
	1	1001562	OIL FILTER ELEMENT-GAS/DUAL FUEL ENG.
18	3	1001439	O-RING
20	2	1001440	WASHER, SEAL
21	2	1001441	BOLT
24	7	1001442	PLUG
25	1	1001443	ADAPTER (BEF. W1318)
26	1	1001444	ADAPTER, TEE (BEF. W1318)
27	1	1001445	SEAL, WASHER
28	1	1001365	SWITCH, OIL PRESS. (BEF. W1318)
	1	1001615	SWITCH, OIL PRESS. (AFT. W1317)
29	1	1001446	ADAPTER, TEST (BEF. W1318)
	1	1001616	ADAPTER, TEST (AFT. W1317)
30	1	1001447	PLUG
31	1	1001448	WASHER, SEAL

ITEMS 32 THRU 63

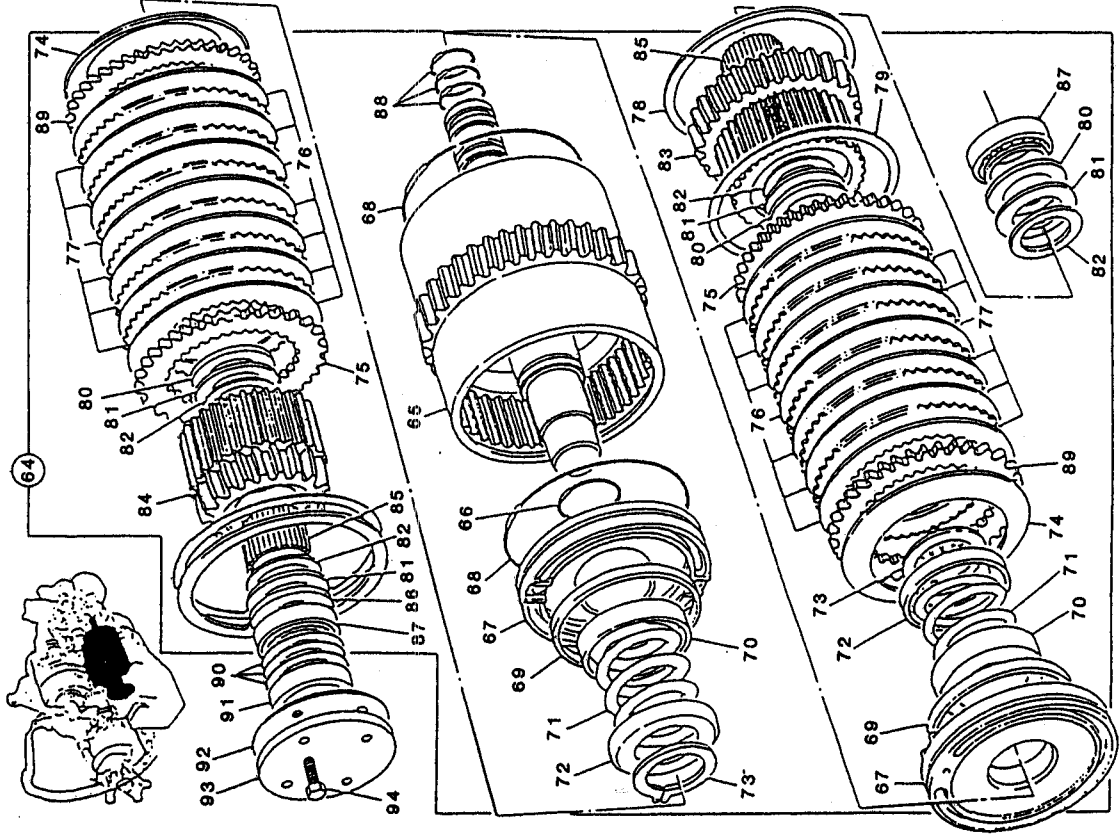


ITEM 32 CONSISTS OF ITEMS 33 THRU 58
ITEM 59 CONSISTS OF ITEMS 60 & 61

PARTS BREAKDOWN BILL OF MATERIAL

ITEM	QTY	PART NO	DESCRIPTION
32	1	1001449	CLUTCH, INPUT ASSEMBLY
33	1	1001450	HOUSING, CLUTCH
34	2	1001451	O-RING
35	2	1001452	PISTON ASSEMBLY
36	2	1001453	O-RING
37	2	1001454	LINER, PISTON
38	2	1001455	OIL, BAFFLE
39	2	1001456	SPRING
40	2	1001457	RETAINER, SPRING
41	2	1001458	CIRCLIP
42	2	1001459	DISC, SPRING
43	2	1001460	PLATE, PRESSURE (REPL'D. BY 1001799 & 1001800)
44	2	1001799	PLATE, PRESSURE > REPLACES 1001460 AFTER ITL SER. NO. 460/304 00084
45	12	1001800	PLATE, COUNTER
46	10	1001461	PLATE, FRICTION
47	2	1001462	PLATE, COUNTER
48	2	1001463	CIRCLIP
49	A/R	1001464	SHIM PLATE
50	2	1001465	WASHER, THRUST
51	4	1001466	BEARING, THRUST (REPL'D BY 1001798)
52	4	1001798	THRUST WASHER (REPLACES 1001466 & 1001467)
53	4	1001467	THRUST, THRUST (REPL'D BY 1001798)
54	1	1001468	WASHER, THRUST (REPL'D BY 1001798)
55	2	1001469	HOUSING, GEAR/CLUTCH
56	2	1001470	BEARING, GEAR/CLUTCH
57	2	1001471	WASHER, THRUST
58	4	1001472	BEARING, THRUST
59	4	1001473	SEAL, RING
60	2	1001474	PLATE, PRESSURE
61	1	1001475	KIT - SHIM
62	1	1001476	PUMP, OIL
63	1	1001477	SEAL, SHAFT
	1	1001478	SEAL
	4	1001479	BOLT
	4	1001480	WASHER

ITEMS 64 THRU 94



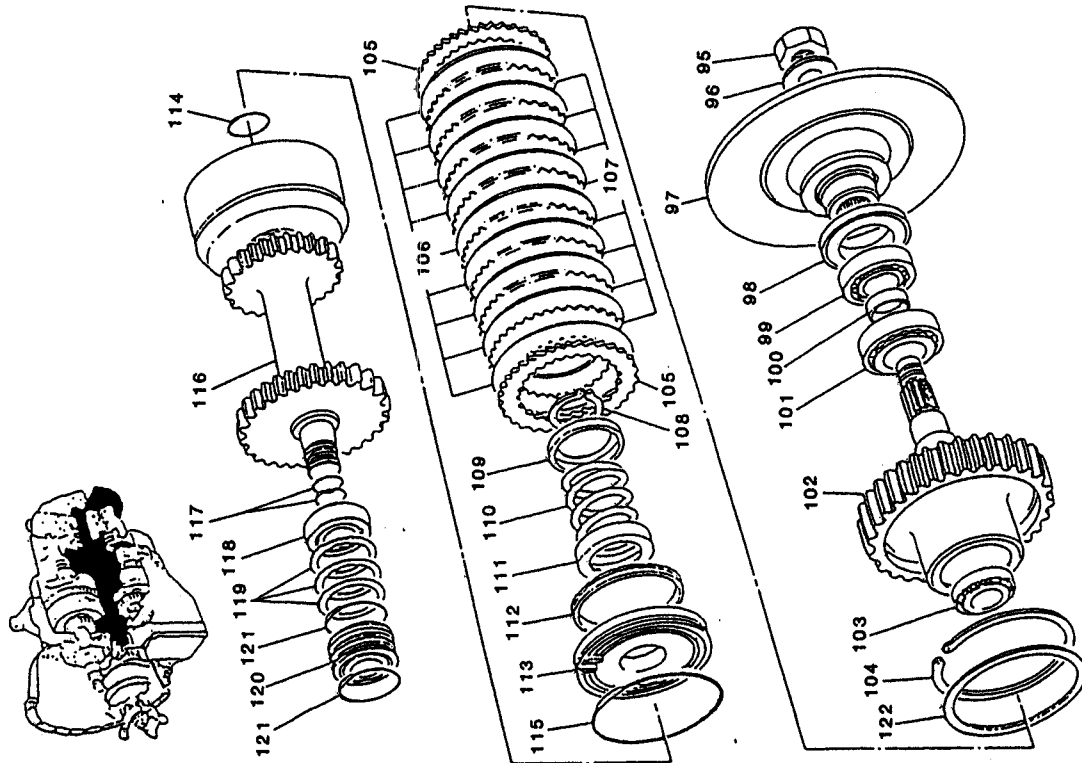
ITEM 64 CONSISTS OF ITEMS 65 THRU 93.

PARTS BREAKDOWN BILL OF MATERIAL

ITEM	QTY	PART NO	DESCRIPTION
64	1	1001481	CLUTCH, REVERSE, POWERSHIFT
65	1	1001482	HOUSING, CLUTCH
66	1	1001451	O-RING
67	2	1001452	PISTON ASSEMBLY
68	2	1001453	O-RING
69	2	1001454	LINER, PISTON
70	2	1001455	OIL BAFFLE
71	2	1001456	SPRING
72	2	1001457	RETAINER, SPRING
73	2	1001458	CIRCLIP
74	2	1001459	DISC SPRING
75	2	1001460	PLATE, PRESSURE
76	12	1001461	PLATE, FRICTION
77	10	1001462	PLATE, COUNTER
78	2	1001463	CIRCLIP
79	A/R	1001464	SHIM, PLATE
80	3	1001465	WASHER, THRUST
81	4	1001466	BEARING, THRUST
82	4	1001467	WASHER, THRUST
83	1	1001468	HOUSING, GEAR/CLUTCH
84	1	1001469	HOUSING, GEAR/CLUTCH
85	2	1001470	BEARING, THRUST
86	2	1001471	WASHER, THRUST
87	2	1001472	BEARING
88	3	1001473	SEAL RING
89	2	1001474	PLATE, PRESSURE
90	1	1001475	KIT, SHIM
91	1	1001483	SPACER
92	1	1001484	GASKET
93	1	1001485	COVER
94	4	1001486	BOLT

POWERSHIFT TRANSMISSION, MAINSHAFT COMPONENTS 1300092

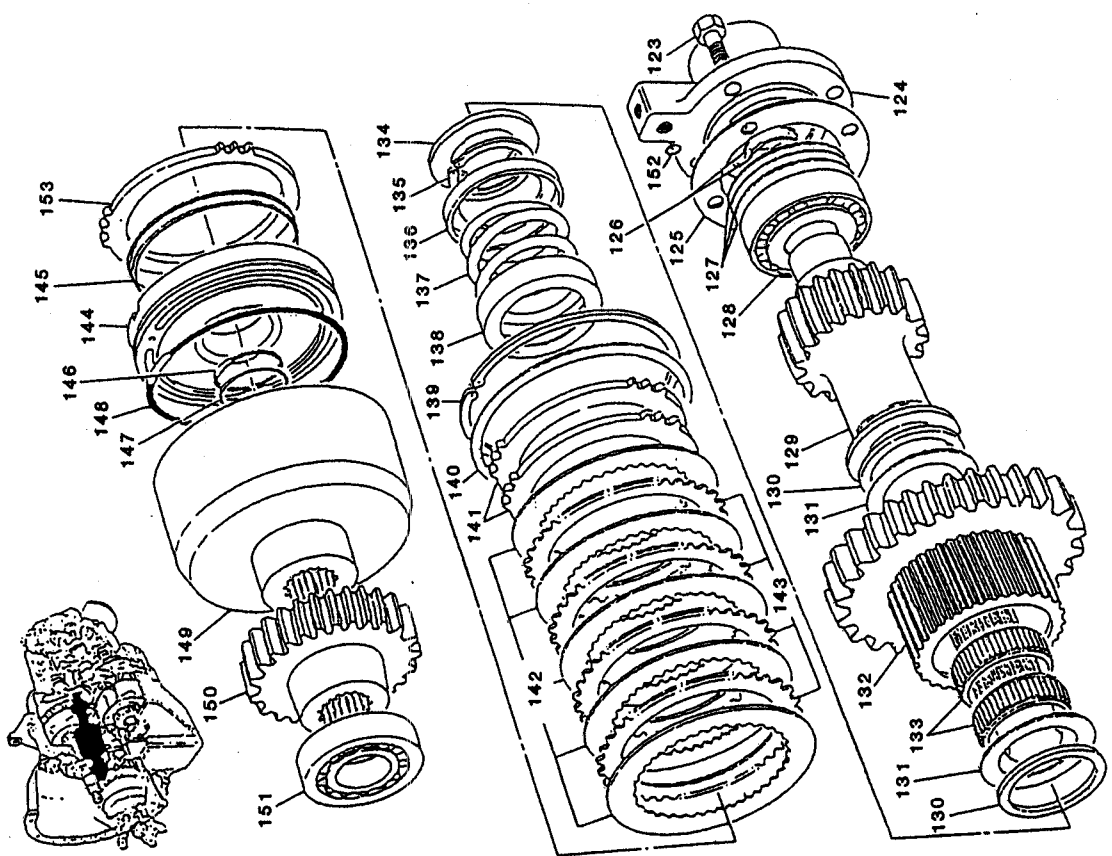
ITEMS 95 THRU 122



PARTS BREAKDOWN BILL OF MATERIAL

ITEM	QTY	PART NO	DESCRIPTION
95	1	1001487	NUT, M30 (REPL'D BY 1001802)
		1001802	NUT (REPLACES 1001487)
96	1	1001488	WASHER
97	1	1001489	FLANGE, OUTPUT (REPL'D BY 1001803)
		1001803	OUTPUT FLANGE (REPLACES 1001489)
98	1	1001490	SEAL
99	1	1001491	BEARING
100	1	1001492	SPACER, COLLAPSEABLE
101	1	1001493	BEARING
102	1	1001494	GEAR, TRANSFER
103	1	1001472	BEARING
104	1	1001463	CIRCLIP
105	2	1001460	PLATE, PRESSURE
106	9	1001495	PLATE, FRICTION
107	8	1001462	PLATE, COUNTER
108	1	1001458	CIRCLIP
109	1	1001457	RETAINER, SPRING
110	1	1001456	SPRING
111	1	1001455	OIL BAFFLE
112	1	1001454	LINER, PISTON
113	1	1001452	PISTON ASSEMBLY
114	1	1001451	O-RING
115	1	1001453	O-RING
116	1	1001496	GEAR, MAINSHAFT
117	2	1001497	SEAL, RING
118	1	1001498	BEARING, TAPER ROLLER
119	1	1001499	KIT, SHIM
120	1	1001500	SPACER, MAINSHAFT
121	2	1001501	O-RING
122	A/R	1001502	SHIM

ITEMS 123 THRU 153



PARTS BREAKDOWN BILL OF MATERIAL

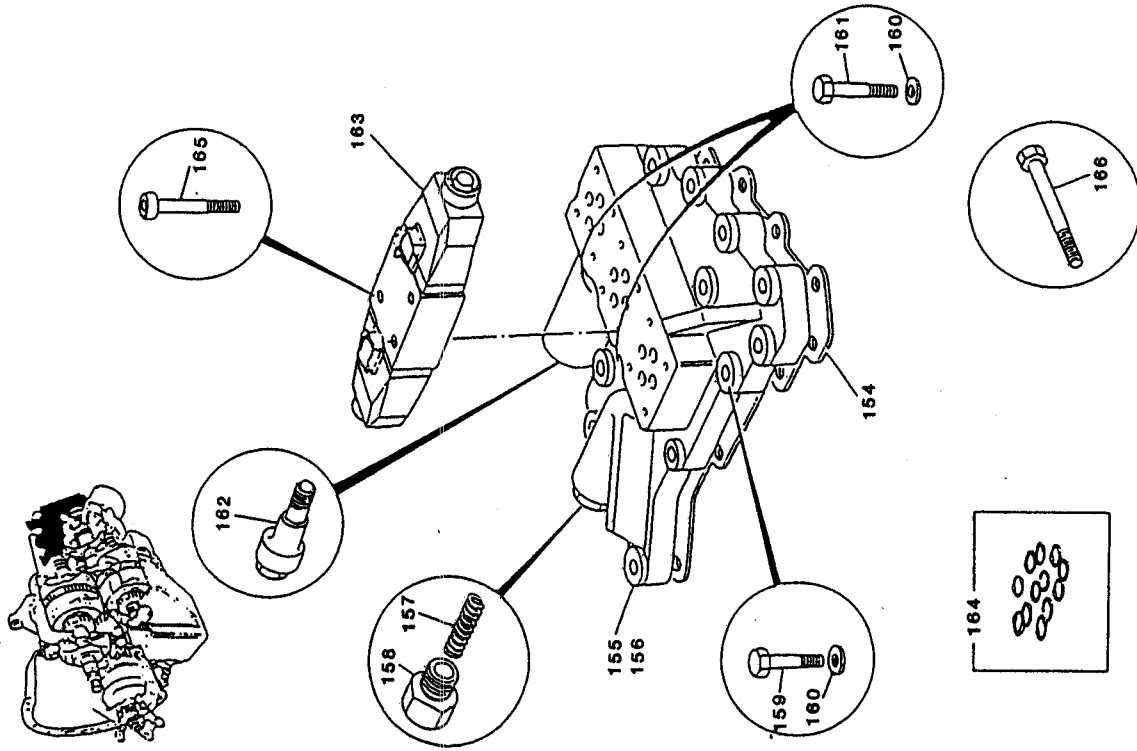
ITEM	QTY	PART NO	DESCRIPTION
123	4	1001503	BOLT, COATED
124	1	1001504	COVER, END (REF. W1318)
	1	1001613	COVER, END (AFT. W1317)
125	1	1001505	GASKET
126	2	1001497	SEAL, RING
127	1	1001506	KIT, SHIM
128	1	1001507	BEARING
129	1	1001508	GEAR, LAYSHAFT
130	2	1001509	BEARING, NEEDLE
131	2	1001510	WASHER, THRUST
132	1	1001511	GEAR, 40T
133	2	1001512	BEARING, NEEDLE ROLLER
134	1	1001513	WASHER
135	1	1001458	CIRCLIP
136	1	1001457	RETAINER, SPRING
137	1	1001456	SPRING
138	1	1001455	OIL BAFFLE
139	1	1001463	CIRCLIP
140	A/R	1001464	SHIM, PLATE
141	2	1001460	PLATE, PRESSURE
142	6	1001461	PLATE, FRICTION
143	5	1001462	PLATE, COUNTER
144	1	1001452	PISTON, ASSEMBLY
145	1	1001454	LINER, PISTON
146	1	1001451	O-RING
147	1	1001514	O-RING
148	1	1001453	O-RING
149	1	1001515	HOUSING
150	1	1001516	INPUT GEAR
151	1	1001517	BEARING
152	1	1001517	O-RING
153	1	1001518	PLATE, PRESSURE

POWERSHIFT TRANSMISSION, SOLENOID SWITCH 1300092

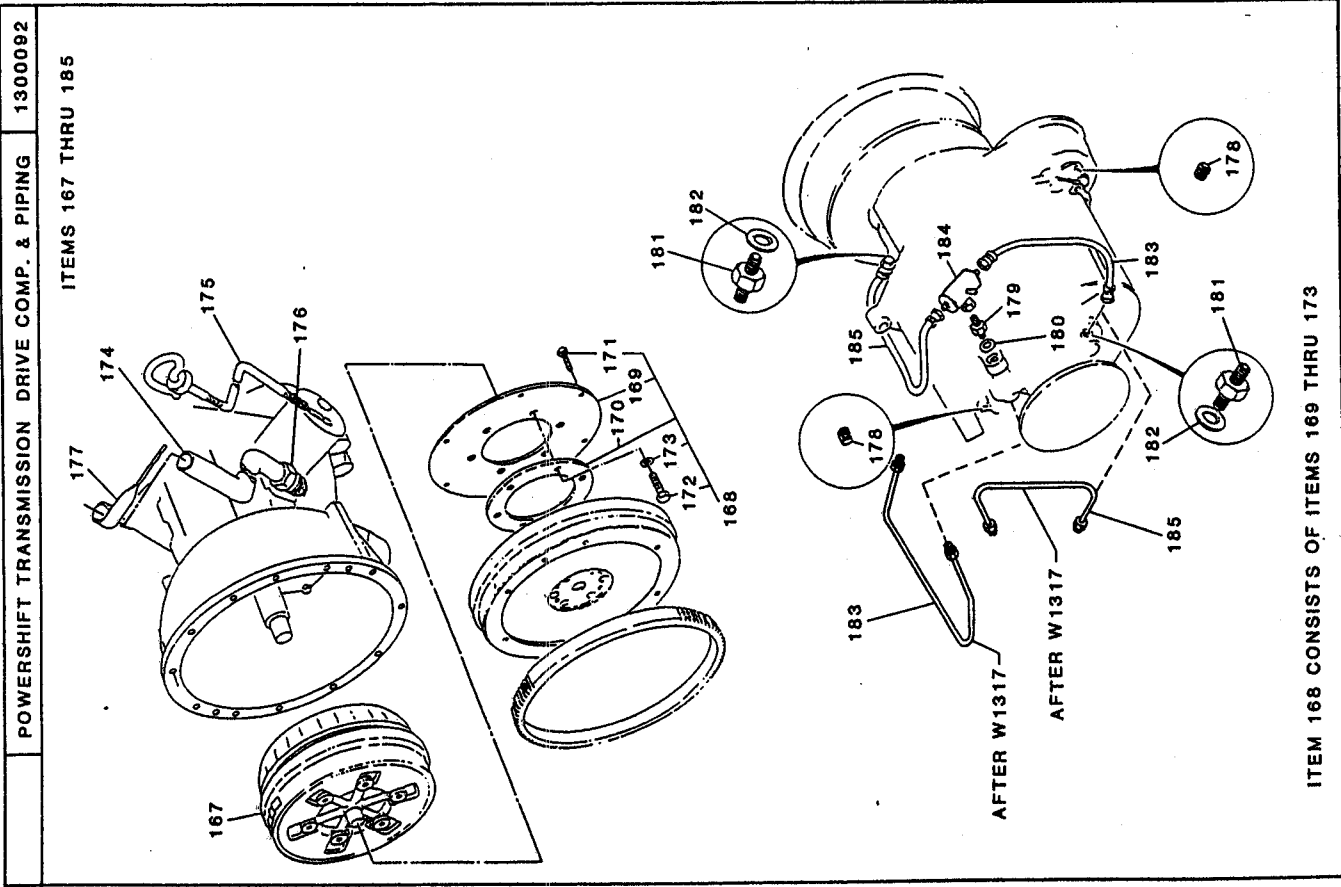
ITEMS 154 THRU 166

PARTS BREAKDOWN BILL OF MATERIAL

ITEM	QTY	PART NO	DESCRIPTION
154	1	1001519	GASKET
155	1	1001520	ADAPTER, BLOCK ASSEMBLY
156	1	1001521	SPOOL
157	1	1001522	SPRING
158	1	1001523	PLUG
159	14	1001524	BOLT
160	16	1001525	WASHER, PLAIN
161	2	1001526	BOLT, M8 X 45
162	1	1001527	PLUG
163	3	1001528	VALVE, SOLENOID
	6	1001652	COIL
164	1	1001653	SEAL KIT
165	12	1001529	SEAL KIT
166	1	1001530	CAPSCREW, M5 X 50mm
		1001531	BOLT



ITEM 155 CONSISTS OF ITEMS 156 THRU 158



PARTS BREAKDOWN BILL OF MATERIAL

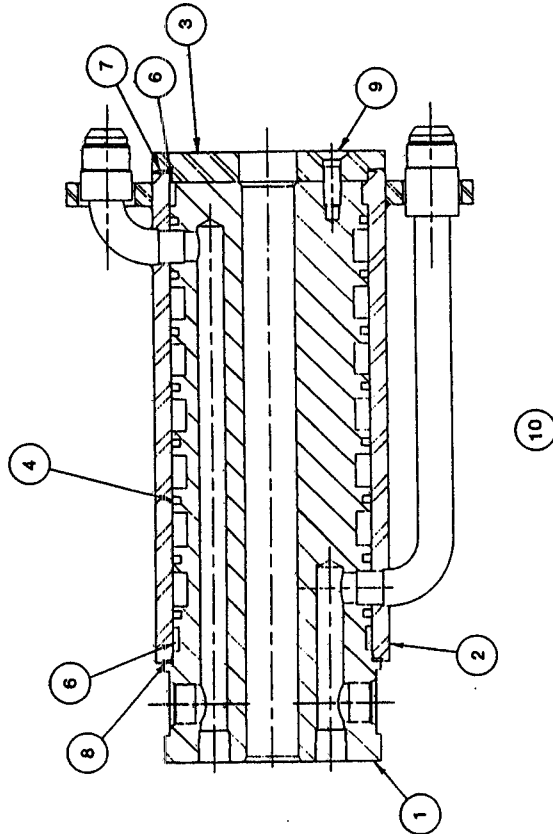
ITEM	QTY	PART NO	DESCRIPTION
167	1	1001300	TORQUE CONVERTER, W11
168	1	A15669	KIT - DRIVE PLATE
169	1	A15670	DRIVE PLATE
170	1	A15671	REINFORCING PLATE
171	6	A14513	BOLT-DRIVE PLATE TO FLYWHEEL
172	6	A14511	BOLT-CONVERTER TO PLATE
173	6	A15672	WASHER-DRIVE PLATE TO FLYWHEEL
174	1	1001302	TUBE, FILLER
175	1	1001301	DIPSTICK
176	1	1001303	NUT, SEALASTIC
177	1	1001564	BRACKET, GEARBOX FILLER TUBE
178	2	1001532	PLUG
179	2	1001533	ADAPTER (BEF. W1318)
180	2	1001430	WASHER, SEAL (BEF. W1318)
181	2	1001534	ADAPTER (BEF. W1318)
182	2	1001440	WASHER, SEAL (BEF. W1318)
183	1	1001535	PIPE (BEF. W1318)
184	1	1001610	PIPE (AFT. W1317)
185	1	1001536	MANIFOLD, 4-WAY (BEF. W1318)
	1	1001537	PIPE (BEF. W1318)
	1	1001611	PIPE (AFT. W1317)

SWIVEL, HYDRAULIC, 7 PORT

1300109

PARTS BREAKDOWN BILL OF MATERIAL

ITEM	QTY	PART NO	DESCRIPTION
1	1	1300109	SWIVEL, HYDRAULIC, 7 PORT
2	1	1001574	SPOOL ASSEMBLY
3	1	1001575	SLEEVE ASSEMBLY
4	8	1001576	RETAINING PLATE
6	2	1001577	TFE SEAL/O-RING
7	1	1001578	WEAR RING
8	1	1001579	NYLON WASHER
9	3	1001580	FLAT HEAD CAP SCREW
10	A/R	1001582	SEAL KIT



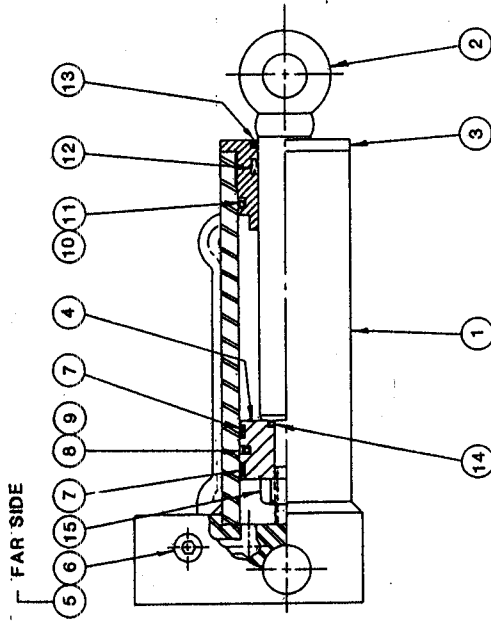
ITEM 10 CONSISTS OF ITEMS 4, 6, 7 & 8

1300134

CYLINDER, OUTRIGGER VERTICAL

PARTS BREAKDOWN BILL OF MATERIAL

ITEM	QTY	PART NO	DESCRIPTION
1	1	1300134	CYLINDER, OUTRIGGER VERTICAL
2	1	1001393	TUBE ASSEMBLY
3	1	1001406	ROD ASSEMBLY
4	1	1001407	HEAD
5	1	1001400	PISTON
6	1	1001395	PLUG
7	2	1001396	WEAR RING
8	1	1001398	SEAL
9	1	1001399	O-RING
10	1	1001403	BACK-UP RING
11	1	1001402	O-RING
12	1	1001404	SEAL
13	1	1001405	WIPER
14	1	1001401	O-RING
15	1	1001394	NUT
16	UAR	1001408	SEAL KIT (ITEMS 7,8,9,10,11,12,13 & 14)



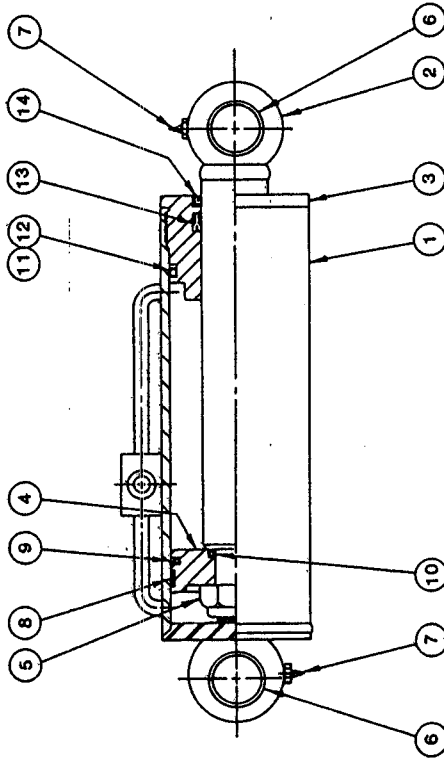
NOTE: TORQUE NUT (ITEM 15) TO 110 FT-LB

CYLINDER, LIFT

1300138

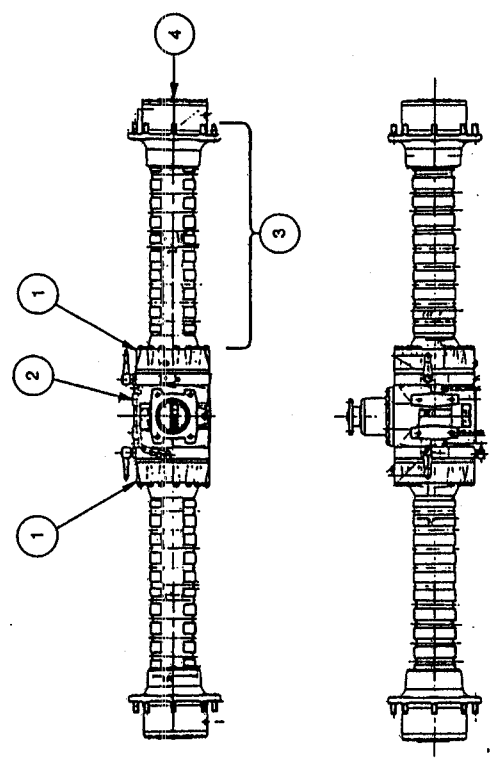
PARTS BREAKDOWN BILL OF MATERIAL

ITEM	QTY	PART NO	DESCRIPTION
1	1	1300138	CYLINDER, LIFT
2	1	1001409	TUBE ASSEMBLY
3	1	1001415	ROD ASSEMBLY
4	1	1001421	GLAND
5	1	1001412	PISTON
6	4	1001410	NUT
7	4	1001416	BUSHING
8	2	219-1	GREASE FITTING
9	1	1001414	WEAR RING
10	1	1001413	SEAL
11	1	1001411	O-RING
12	1	1001417	O-RING
13	1	1001418	BACK-UP RING
14	1	1001419	SEAL
15	1	1001420	WIPER
	UAR	1001422	SEAL KIT (ITEMS 8,9,10,11,12,13 & 14)



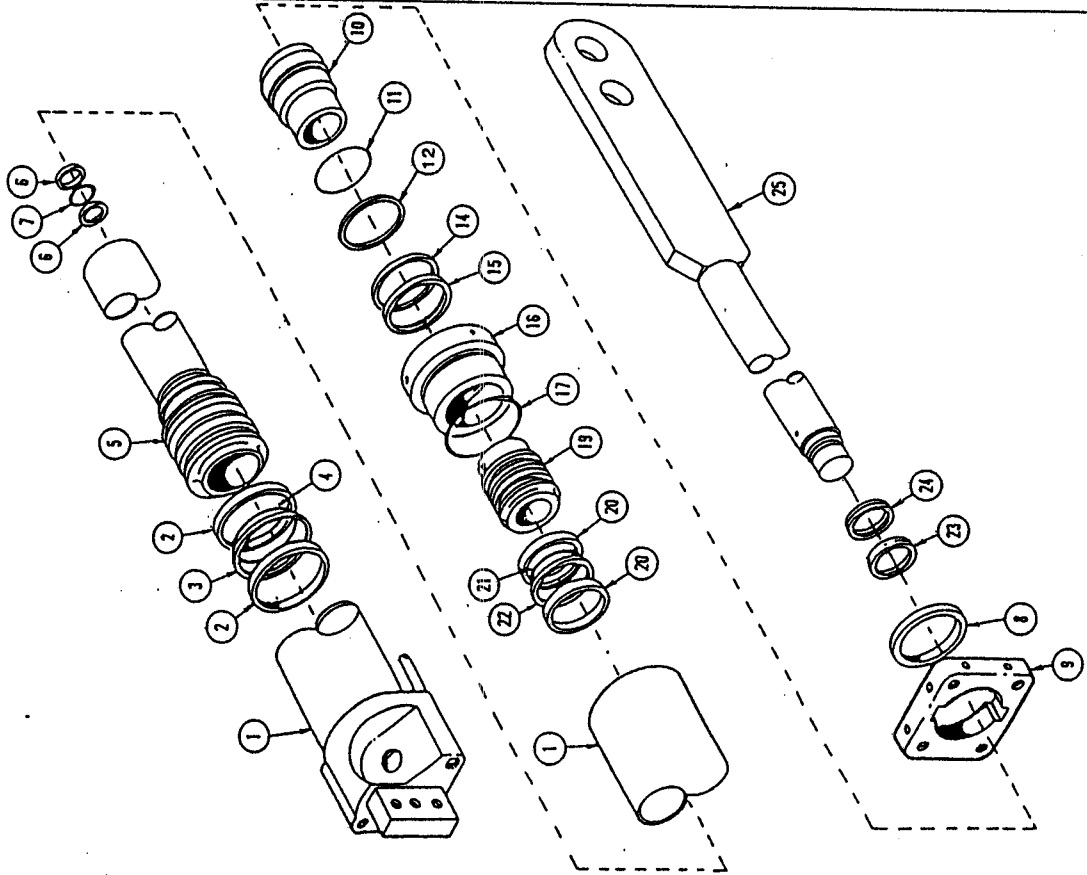
NOTE: TORQUE NUT (ITEM 5) TO 800 FT-LB

AXLE, RIGID DRIVE with NoSPIN 1300141



PARTS BREAKDOWN BILL OF MATERIAL

ITEM	QTY	PART NO	DESCRIPTION
1	1	1300141	AXLE, RIGID DRIVE with NoSPIN
2	1	1100138	HOUSING COVERS (SEE SEPARATE PLATE)
3	1	1100336	NO SPIN DIFFERENTIAL (SEE SEPARATE PLATE)
4	1	1100337	PLANETARY, RIGID AXLE (SEE SEPARATE PLATE)
4	1	1100141	BRAKE WITH 10 DISKS (SEE SEPARATE PLATE)



PARTS BREAKDOWN BILL OF MATERIAL

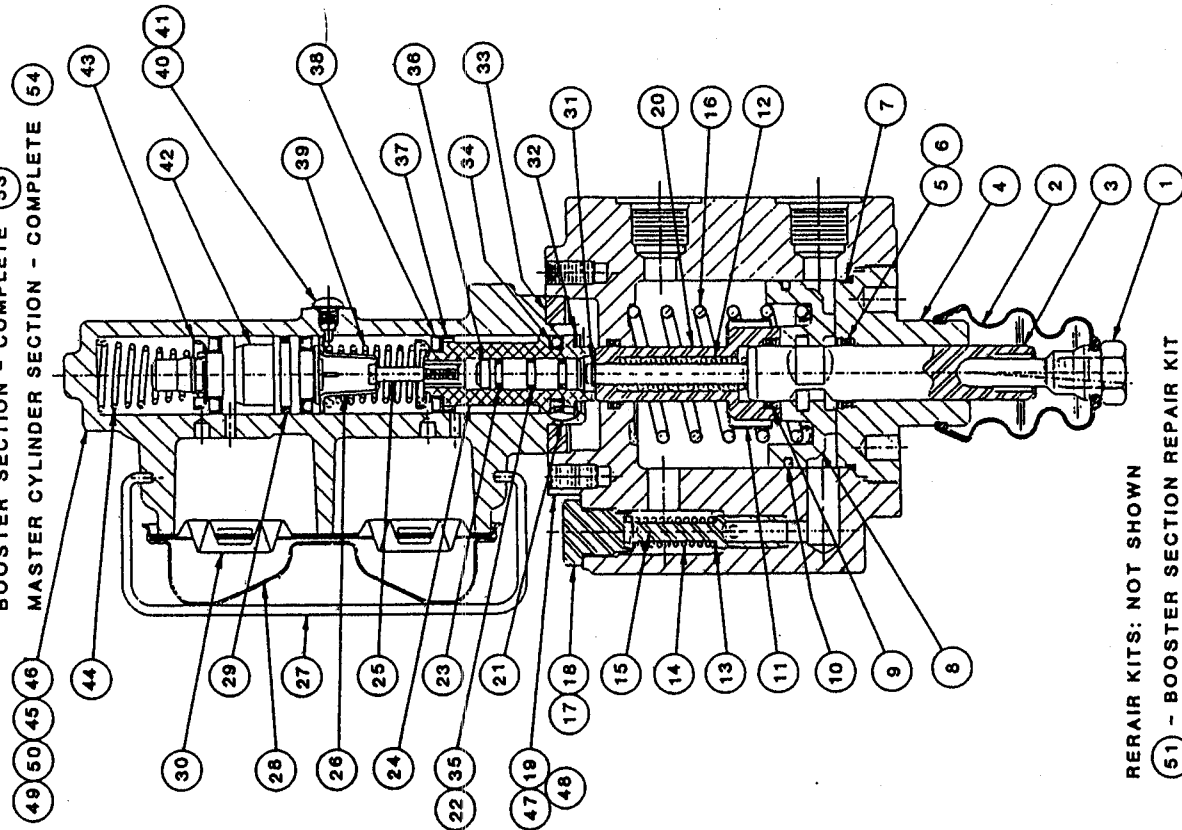
ITEM	QTY	PART NO	DESCRIPTION
1	1	1300143	CYLINDER, CROWD (STANDARD)
2	1	1001630	TUBE ASSEMBLY
3	2	1001151	RING, WEAR
4	1	1001149	SEAL
5	1	1001150	LOADER
6	1	1001631	TUBE ASSEMBLY
7	2	1001153	RING, BACKUP
8	1	1001152	O-RING
9	1	F11296	RING, RETAINING
10	1	S229845	GUIDE-BEARING (3-SECT BOOM)
11	1	S237647	GUIDE-BEARING (4-SECT BOOM)
12	1	1001139	GLAND
13	1	1001144	O-RING
14	1	1001145	RING, BACKUP
15	1	1001143	WIPER
16	1	1001142	SEAL
17	1	1001138	GLAND
18	1	1001154	O-RING
19	1	1001137	PISTON
20	2	1001146	RING, WEAR
21	1	1001148	LOADER
22	1	1001147	SEAL
23	1	1001140	SEAL
24	1	1001141	WIPER
25	1	1001632	ROD ASSEMBLY
26	1	1001155	SEAL KIT

1300147

BRAKE ACTUATOR, POWER

BOOSTER SECTION - COMPLETE (53)

MASTER CYLINDER SECTION - COMPLETE (54)



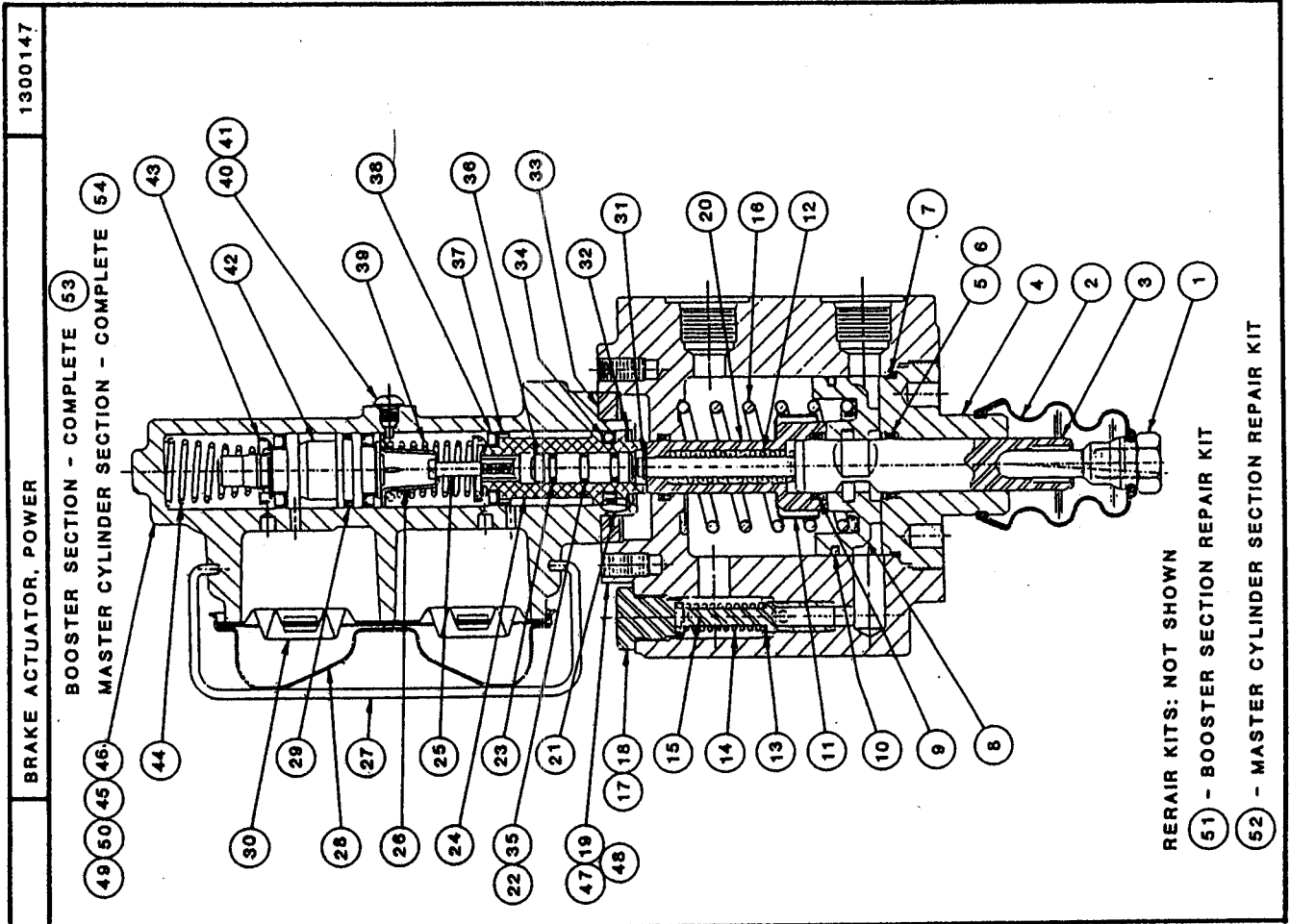
REPAIR KITS: NOT SHOWN

(51) - BOOSTER SECTION REPAIR KIT

(52) - MASTER CYLINDER SECTION REPAIR KIT

PARTS BREAKDOWN BILL OF MATERIAL

ITEM	QTY	PART NO	DESCRIPTION
1	1	1300147	BRAKE ACTUATOR, POWER
2	1	1001719	PUSH ROD
3	1	1001720	BOOT
4	1	1001721	PISTON
5	1	1001722	END PLUG
6	1	1001723	BACK-UP RING
7	3	1001724	CUP
8	1	1001725	O-RING
9	1	1001726	PISTON
10	2	1001727	RETAINING RING
11	1	1001729	PISTON RING
12	1	1001729	RETAINER
13	1	1001730	SPRING
	A/R	1001731	SHIM
	A/R	1001732	SHIM
	A/R	1001733	SHIM
14	1	1001734	SPRING
15	1	1001735	PISTON
16	1	1001736	SPRING
17	1	1001737	O-RING
18	1	1001738	END PLUG
19	1	1001739	HOUSING
20	1	1001740	PISTON
21	1	1001741	SILICONE GREASE
22	1	1001742	O-RING
23	2	1001743	CUP
24	1	1001744	PISTON
25	1	1001745	SCREW
26	1	1001746	RETAINER
27	1	1001747	BAIL HOOK
28	1	1001748	COVER
29	1	1001749	O-RING
30	1	1001750	DIAPHRAGM
31	1	1001751	RETAINING RING
32	1	1001752	RETAINING RING
33	1	1001753	SPACER
34	2	1001754	CUP
35	1	1001755	BACK-UP RING
36	1	1001756	PISTON
37	2	1001757	WASHER
38	2	1001758	CUP
39	2	1001759	SPRING
40	1	1001760	SCREW
41	1	1001761	O-RING
42	1	1001762	PISTON
43	2	1001763	RETAINER
44	1	1001764	SPRING
45	1	1001765	HOUSING
46	2	1001766	INSERT
47	1	1001767	RETAINER
48	1	1001768	SHUBBER



PARTS BREAKDOWN BILL OF MATERIAL

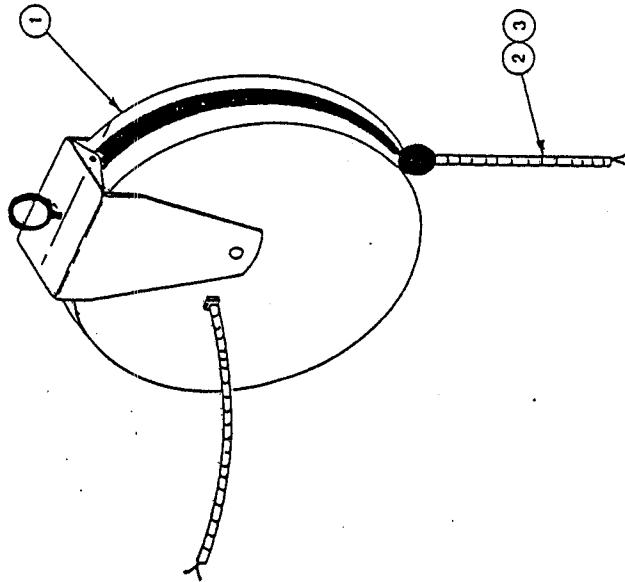
ITEM	QTY	PART NO	DESCRIPTION
49	2	1001769	LOCK WASHER
50	2	1001770	CAP SCREW
51	A/R	1001771	BOOSTER SEC. REPAIR KIT
52	A/R	1001772	MASTER CYL. SEC. REPAIR KIT
53	-	1001773	BOOSTER SECTION - COMPLETE
54	-	1001774	MASTER CYL. SECTION - COMPLETE

CORD REEL, BOOM

1500217

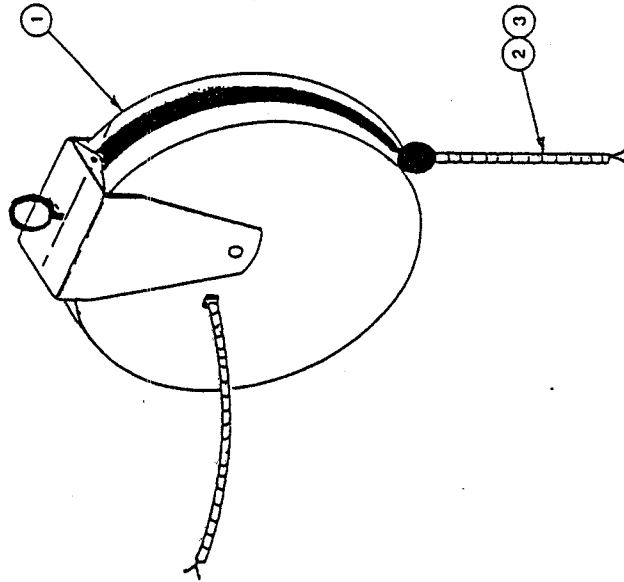
PARTS BREAKDOWN BILL OF MATERIAL

ITEM	QTY	PART NO	DESCRIPTION
-	-	1500217	CORD REEL, BOOM, STD
1	1	1001120	CORD REEL
2	1	1000227	CONNECTOR
3	21	1000226	WIRE, 12 GA. STRANDED, BLACK RUBBER COVERED



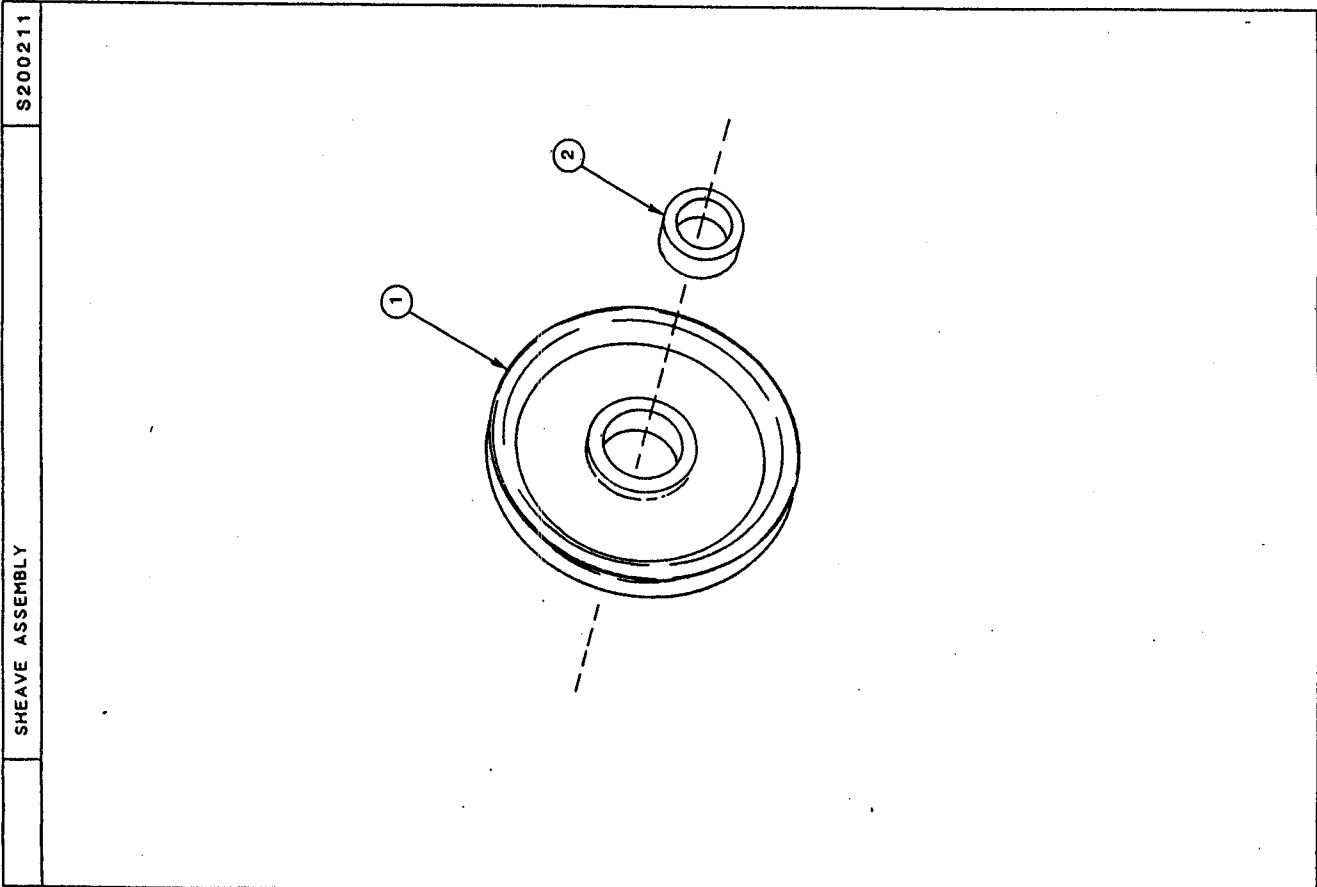
1500287

CORD REEL, LONG BOOM



PARTS BREAKDOWN BILL OF MATERIAL

ITEM	QTY	PART NO	DESCRIPTION
-	-	1500287	CORD REEL, BOOM, LONG
1	1	1001121	CORD REEL
2	1	1000227	CONNECTOR
3	30	1000226	WIRE, 12 GA. STRANDED, BLACK RUBBER COVERED



SHEAVE ASSEMBLY S200211

PARTS BREAKDOWN BILL OF MATERIAL

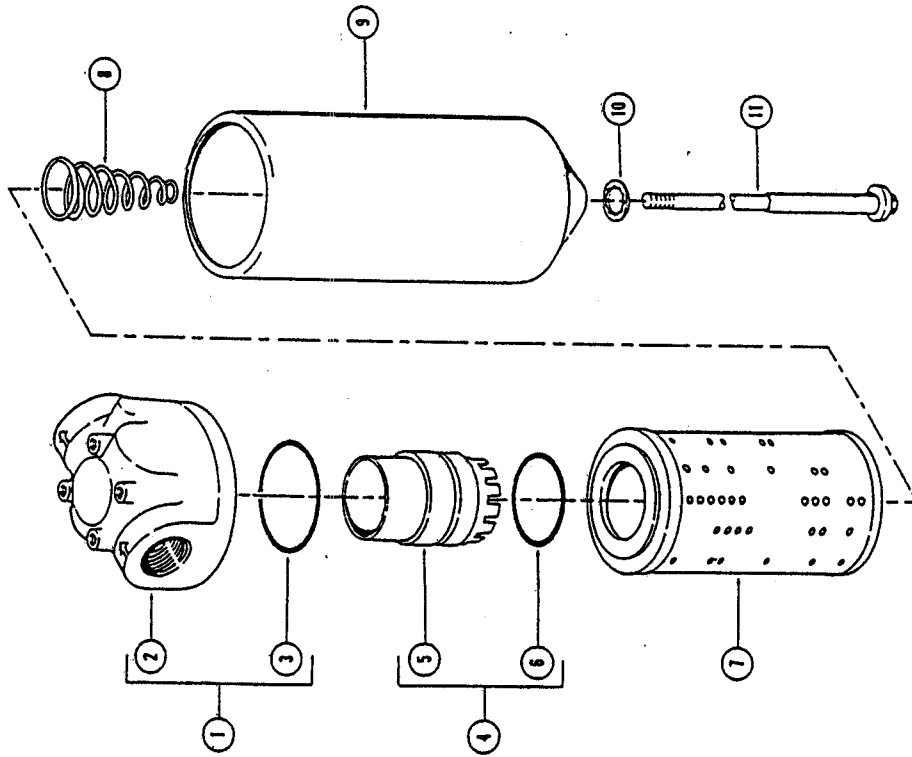
ITEM	QTY	PART NO	DESCRIPTION
1	1	S200211	SHEAVE ASSEMBLY
2	1	S200210	SHEAVE, MACHINING
	1	S202072	BUSHING

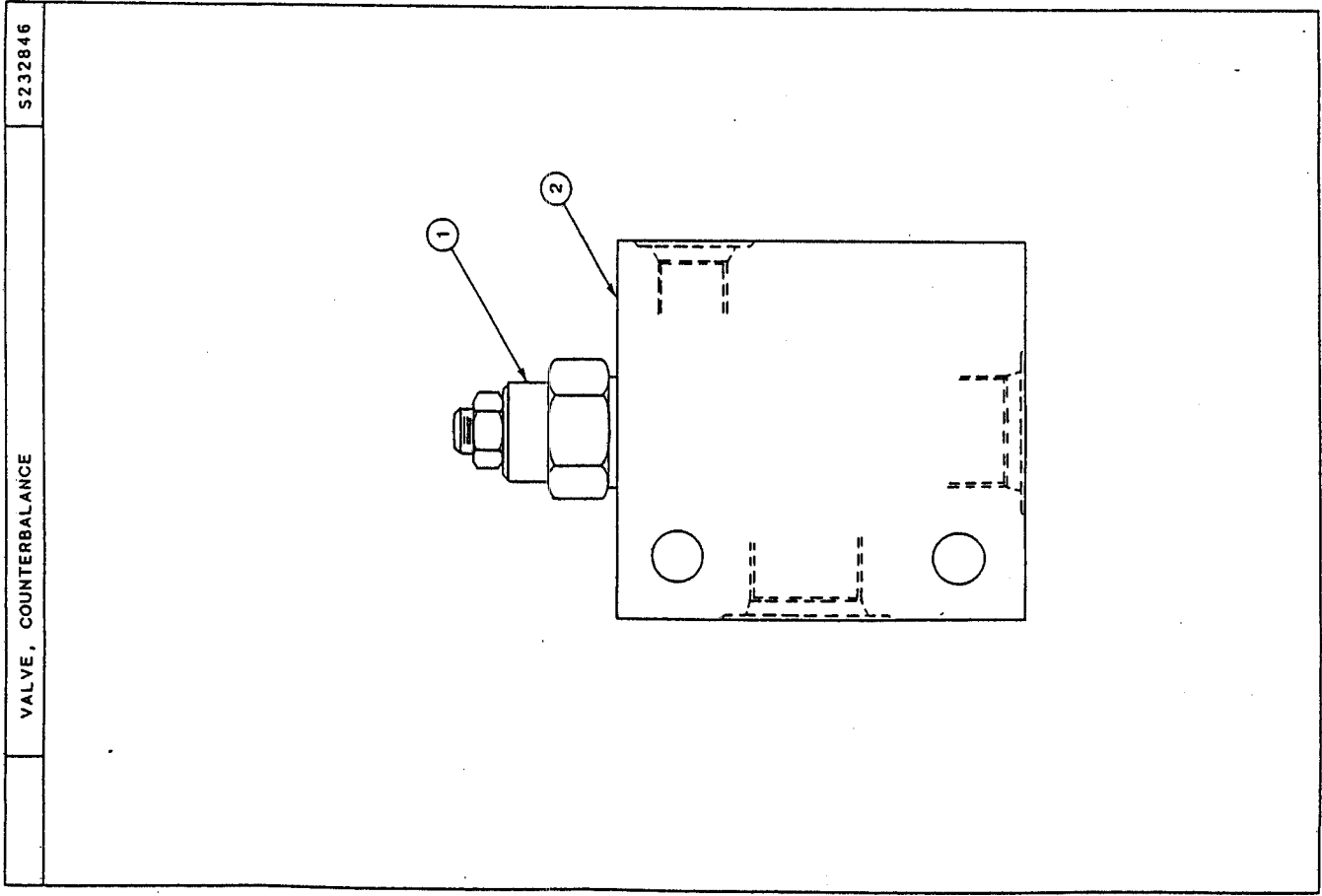
S227285

FILTER, HYDRAULIC OIL

PARTS BREAKDOWN BILL OF MATERIAL

ITEM	QTY	PART NO	DESCRIPTION
1	1	S227285	FILTER, HYDRAULIC OIL
2	1	S107788	HEAD ASSEMBLY
3	1	NSS	-O-RING
4	1	S107789	INDICATOR ASSEMBLY
5	1	S108483	-O-RING
6	1	NSS	INDICATOR
7	1	S107967	-O-RING
8	1	S109470	ELEMENT
9	1	S104930	SPRING
10	1	S107792	HOUSING
11	1	S107793	WASHER
		S107794	BOLT





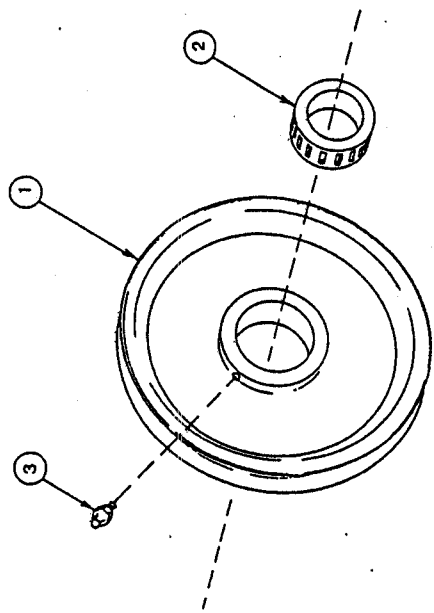
VALVE, COUNTERBALANCE

S232846

PARTS BREAKDOWN BILL OF MATERIAL

ITEM	QTY	PART NO	DESCRIPTION
1	1	S232846	VALVE, COUNTERBALANCE
2	1	1000810	CARTRIDGE, VALVE
	1	1000811	BODY, VALVE

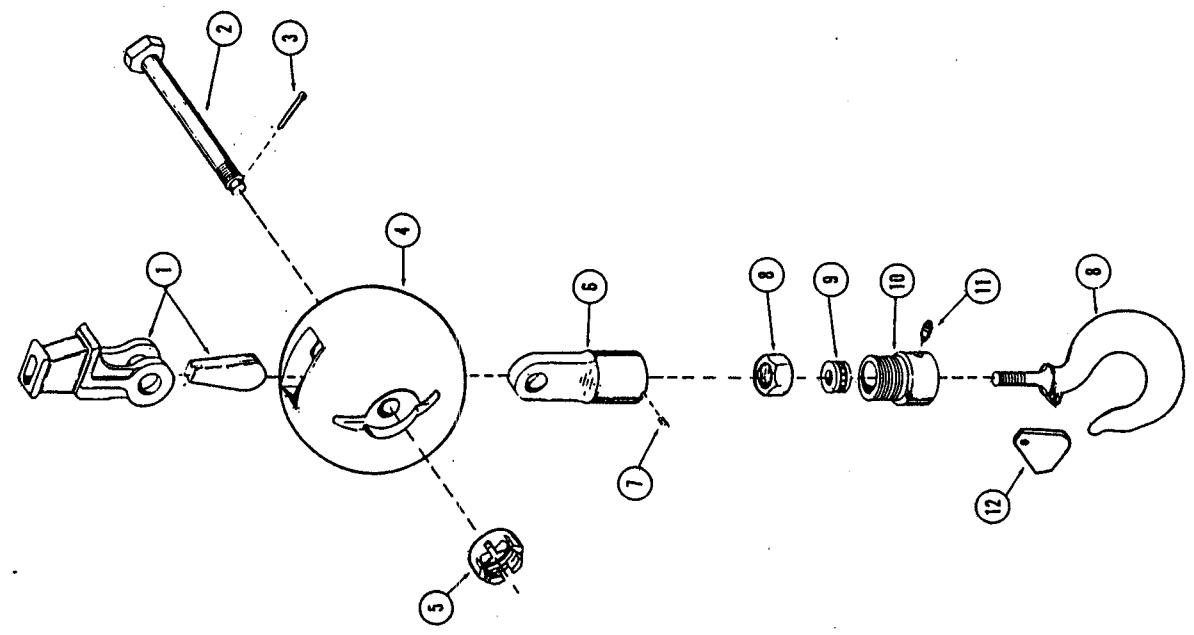
SHEAVE ASSEMBLY S233038



PARTS BREAKDOWN BILL OF MATERIAL

ITEM	QTY	PART NO	DESCRIPTION
-	-	S233038	SHEAVE ASSEMBLY
1	1	S232873	SHEAVE MACHINING
2	1	S229804	BEARING
3	1	219-1	LUBE FITTING

HOOK and BALL, (4.1 TON) S236044

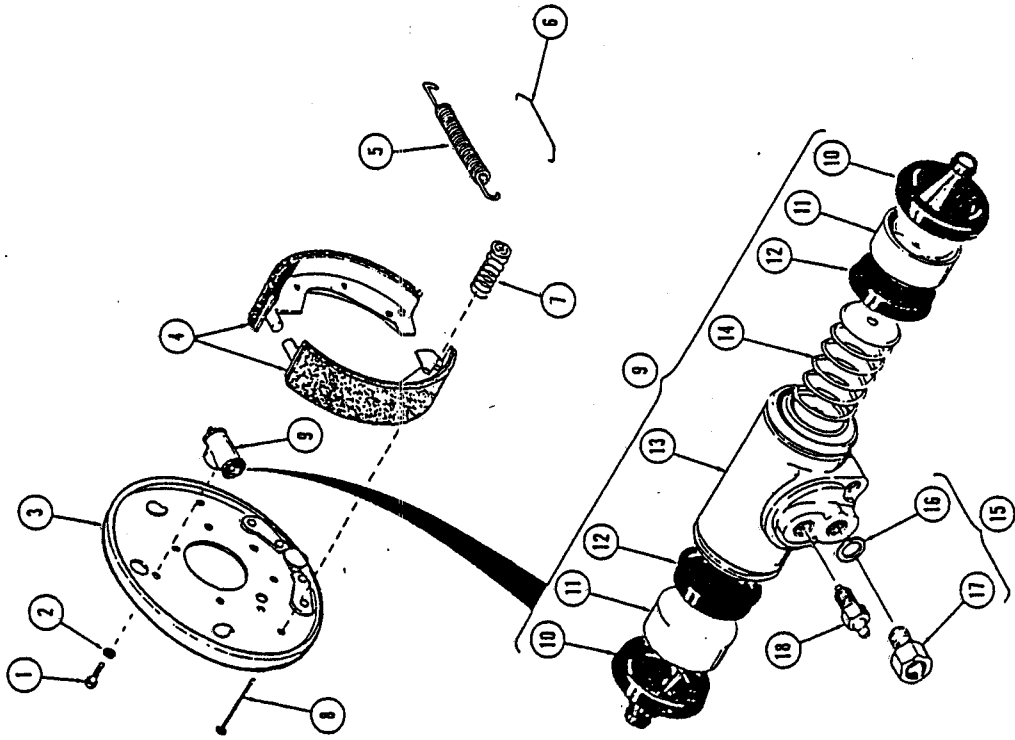


PARTS BREAKDOWN BILL OF MATERIAL

ITEM	QTY	PART NO	DESCRIPTION
1	1	S236044	HOOK and BALL,
		S114264	SOCKET, WEDGE
2	1	S114265	WEDGE
3	1	S114266	PIN, LATCH
4	1	132-99	PIN, COTTER
5	1	S114263	BALL
6	1	129-150	NUT
7	2	S89497	HOUSING
8	1	83-56	SCREW
9	1	S107238	HOOK & NUT
10	1	S89493	BEARING, THRUST
11	1	S89491	HOUSING, BOTTOM HALF
12	1	219-1	FITTING, GREASE
		1001628	J-LATCH (MODEL "E" CRANE ONLY)
		S114267	LATCH, SAFETY (MODEL "D" CRANE ONLY)

S236479

AXLE, DRIVE, BRAKE ASSEMBLY

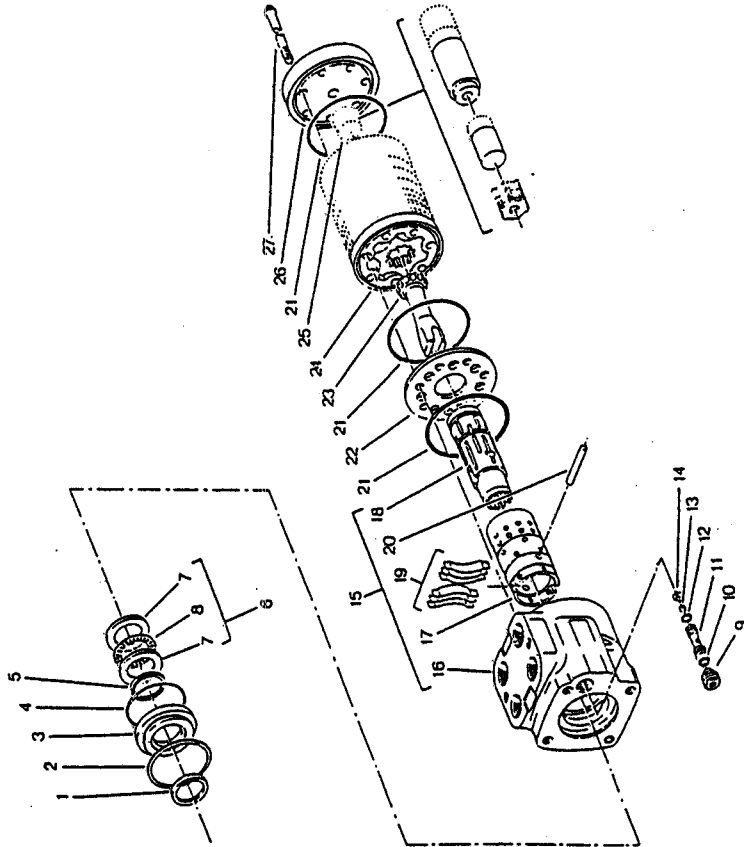


PARTS BREAKDOWN BILL OF MATERIAL

ITEM	QTY	PART NO	DESCRIPTION
1	2	S236479	AXLE, DRIVE, BRAKE ASSEMBLY
2	2	114-218	BOLT-3/8 X .88 NC HEX
3	1	192-21	WASHER, LOCK 3/8
4	2	S114754	PLATE
5	1	S114763	SHOE & LINING
6	1	S16196	SPRING, RETURN
7	1	S16209	SPRING, RETAINING
8	4	1000136	SPRING
9	2	1000137	ROD
10	1	S28930	CYLINDER, WHEEL BRAKE
11	2	A12865	-BOOT, CYLINDER
12	2	S16249	-PISTON
13	2	A12865	-CUP
14	1	S28946	-HOUSING
15	1	A13043	-SPRING, CYLINDER
16	1	NSS	FITTING & GASKET
17	1	33260	-GASKET, INLET
18	1	A18273	-FITTING, INLET
18	1	A12924	-SCREW, BLEEDER

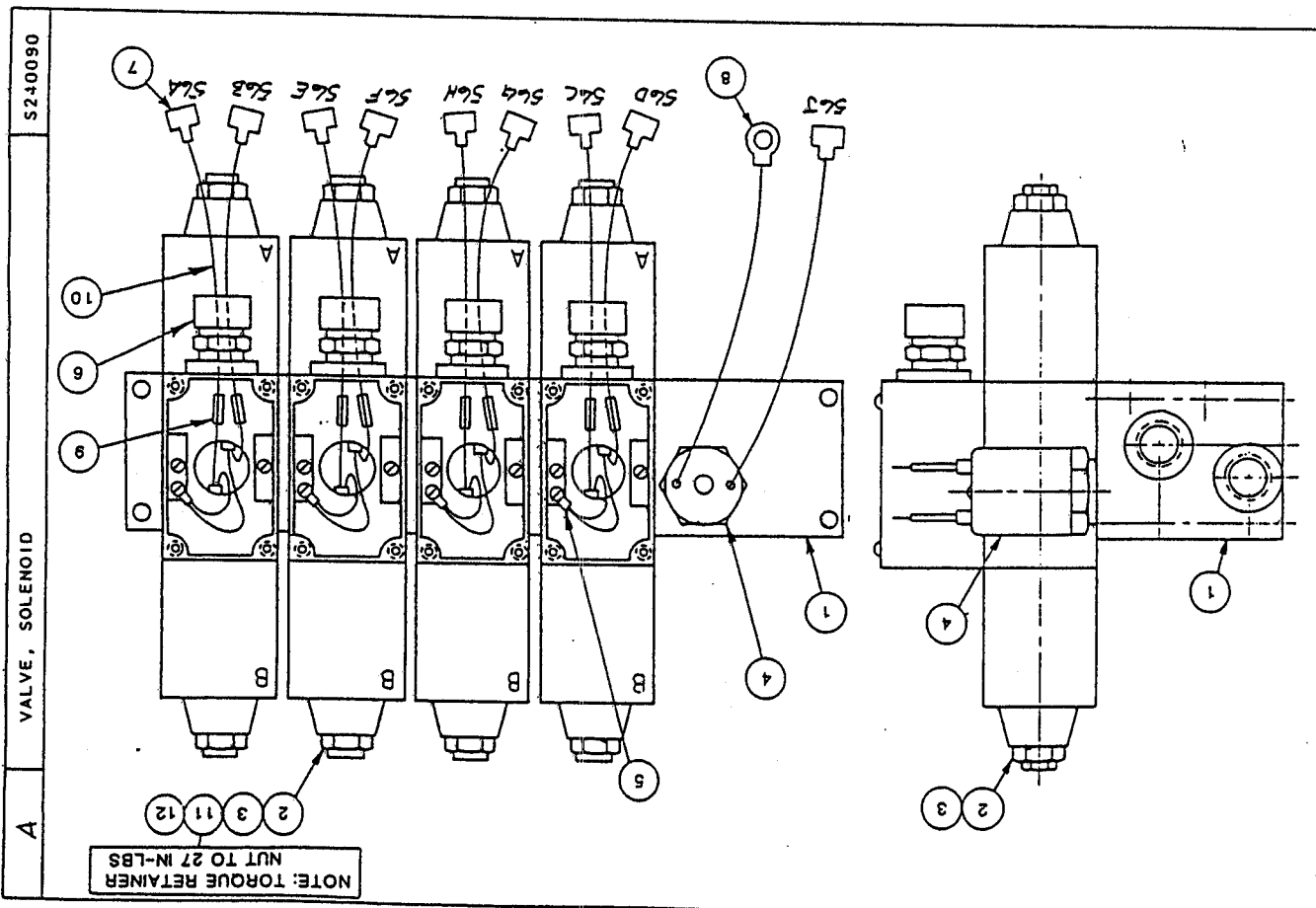
PARTS BREAKDOWN BILL OF MATERIAL

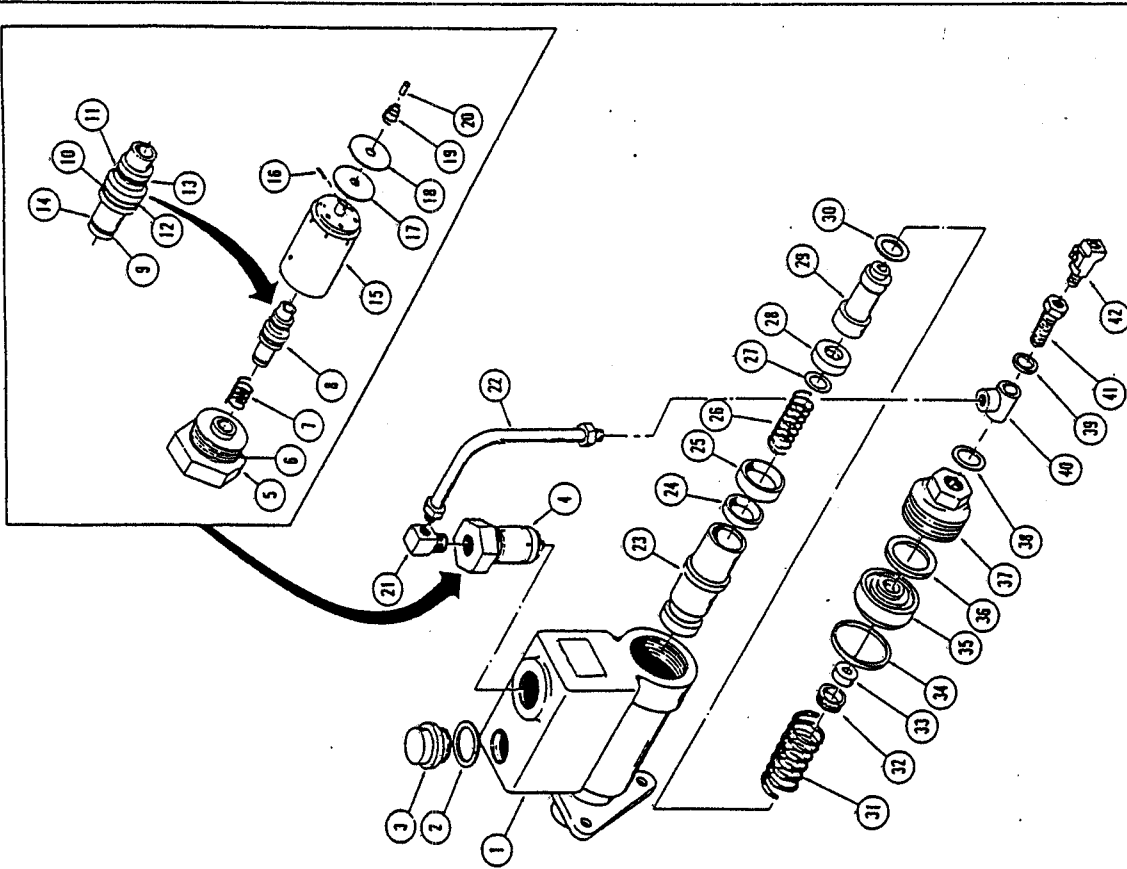
ITEM	QTY	PART NO	DESCRIPTION
1	1	S237326	ORBITROL, STEERING
2	1	1000819	SEAL, 1-1/4" OD X 1" ID
3	1	1000820	RING, RETAINING
4	1	1000821	BUSHING, SEAL GLAND
5	1	1000822	SEAL, 2-1/8" OD X 1/8" CS
6	1	1000823	SEAL, QUAD RING 1-51/16" OD X 1/8" CS
7	2	1000824	NEEDLE BEARING KIT
8	1	1000825	RACE, BEARING
9	1	1000826	BEARING, NEEDLE THRUST
10	1	1000827	SCREW, SET
11	1	1000828	SEAL, 5/8" OD X 3/32" CS
12	1	1000829	SEAT, CHECK BALL
13	1	1000830	SEAL, 7/16" OD X 1/16" CS
14	1	1000831	BALL, CHECK
15	1	1000832	RETAINER, CHECK BALL
16	1	1000833	CONTROL PART ASSY
17	1	NSS	-HOUSING
18	1	NSS	-SLEEVE, CONTROL
19	6	1000834	-SPOOL, CONTROL
20	1	1000835	-SPRING, CENTERING
21	3	1000836	-PIN, CENTERING
22	1	1000837	SEAL, 3" OD X 1/16" CS
23	1	1000838	PLATE, SPACER
24	1	1000839	DRIVE
25	1	1000840	GEROTOR
26	1	1000841	SPACER
27	7	1000842	CAP, END
28	UAR	1000843	SCREW, CAP
			SEAL KIT (INCL ITEMS 1, 4, 5, 10, 12 & 21)



PARTS BREAKDOWN BILL OF MATERIAL

ITEM	QTY	PART NO	DESCRIPTION
1	1	S240090	VALVE, SOLENOID
1	1	1000961	BODY W/PLUGS
2	4	S515111	VALVE, SOLENOID
3	4	1000962	VALVE, 4 WAY
4	16	1000963	BOLT, HOLLOW HEX
5	4	1000964	VALVE, 2 WAY W/COIL
6	4	223-50	EYELET
7	4	T29337	CONNECTOR
8	9	S117294	TERMINAL
9	8	223-60	EYELET
10	8	223-250	BUTTSPLICE
11	8	1000084-08	WIRE 14 GA 8" LG
12	8	1000991	RETAINER NUT
	8	1000992	COIL SEAL





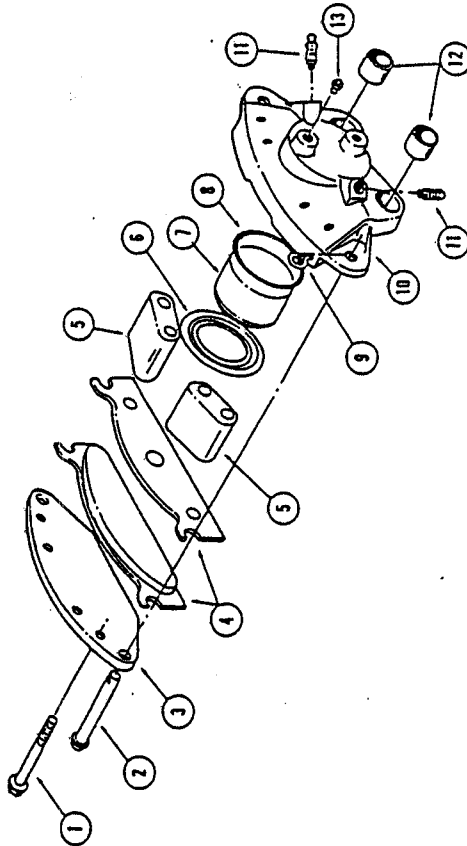
PARTS BREAKDOWN BILL OF MATERIAL

ITEM	QTY	PART NO	DESCRIPTION
1	1	S242884	BRAKE, MASTER CYLINDER (2 WHEEL STEER)
2	1	NSS	HOUSING, CYLINDER
3	1	S114797	GASKET
4	1	S114796	PLUG, FILLER (SPECIAL)
5	1	S114798	VALVE, RELIEF
6	1	NSS	PLUG, FILLER (SPECIAL)
7	1	NSS	O-RING
8	1	NSS	SPRING
9	1	NSS	PISTON ASSY
10	1	NSS	O-RING
11	1	NSS	O-RING
12	1	NSS	RING, BACKUP
13	1	NSS	RING, BACKUP
14	1	NSS	RING, BACKUP
15	1	NSS	BODY, VALVE
16	1	NSS	PIN, COTTER
17	1	NSS	SEAL
18	1	NSS	WASHER, BRASS
19	1	NSS	PIN, METERING
20	1	NSS	SPRING
21	1	S114808	ELBOW
22	1	S114809	TUBE
23	1	NSS	PISTON
24	1	S114815	CUP
25	1	S114817	CUP
26	1	NSS	SPRING
27	1	NSS	RETAINER, CUP
28	1	S114816	CUP
29	1	NSS	PISTON, FLOATING
30	1	S106713	RING, RETAINING
31	1	NSS	SPRING
32	1	NSS	RETAINER
33	1	NSS	SEAT
34	1	1000170	O-RING
35	1	NSS	RETAINER
36	1	S114819	SEAL
37	1	NSS	PLUG, END
38	1	S114810	GASKET
39	1	S114812	WASHER, GASKET
40	1	S114811	BLOCK, FITTING
41	1	S114813	BOLT, LINE
42	1	1000171	TEE
43	UAR	1000172	KIT, REPAIR ITEMS

2, 4-20, 24, 25, 27, 28, 30, 32-34, 36, 38, 39

BRAKE, CALIPER (2 WHEEL STEER)

S242975



PARTS BREAKDOWN BILL OF MATERIAL

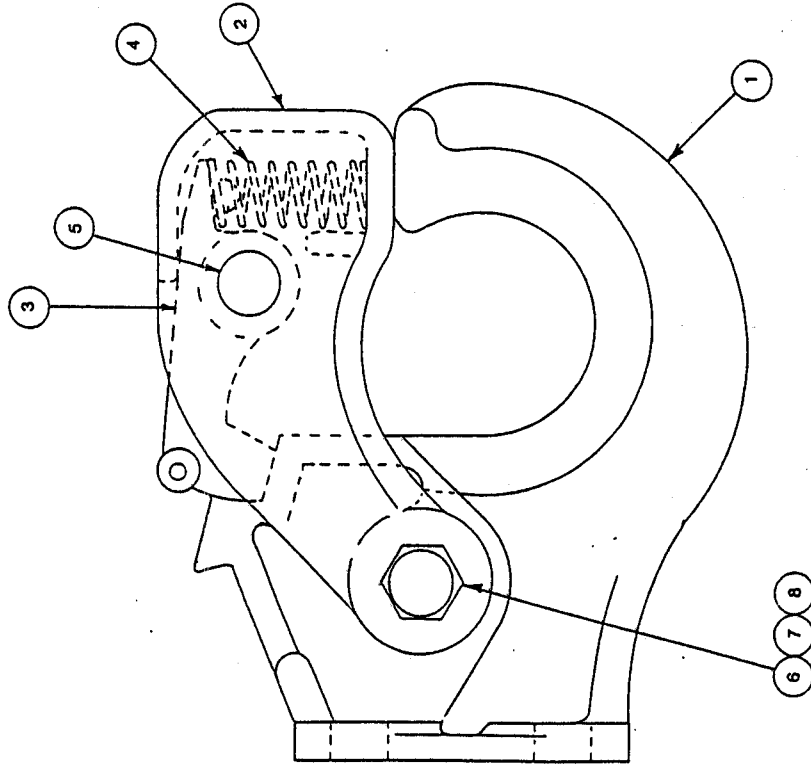
ITEM	QTY	PART NO	DESCRIPTION
-	-	S242975	BRAKE, CALIPER (2 WHEEL STEER)
1	4	S114292	BOLT - HEX FLANGED
2	2	S114293	PIN - CLEVIS
3	1	S114294	PLATE - SECONDARY
4	2	S114295	STATOR and LINING ASSEMBLY
5	2	S114296	SPACER
6	1	S114297	BOOT
7	1	S114298	PISTON
8	1	S114304	O-RING
9	2	S114303	CLIP - PIN
10	1	S114299	HOUSING
11	2	S114300	SCREW - BLEEDER
12	2	S114302	SLEEVE
13	1	S114301	INSERT - SEAT

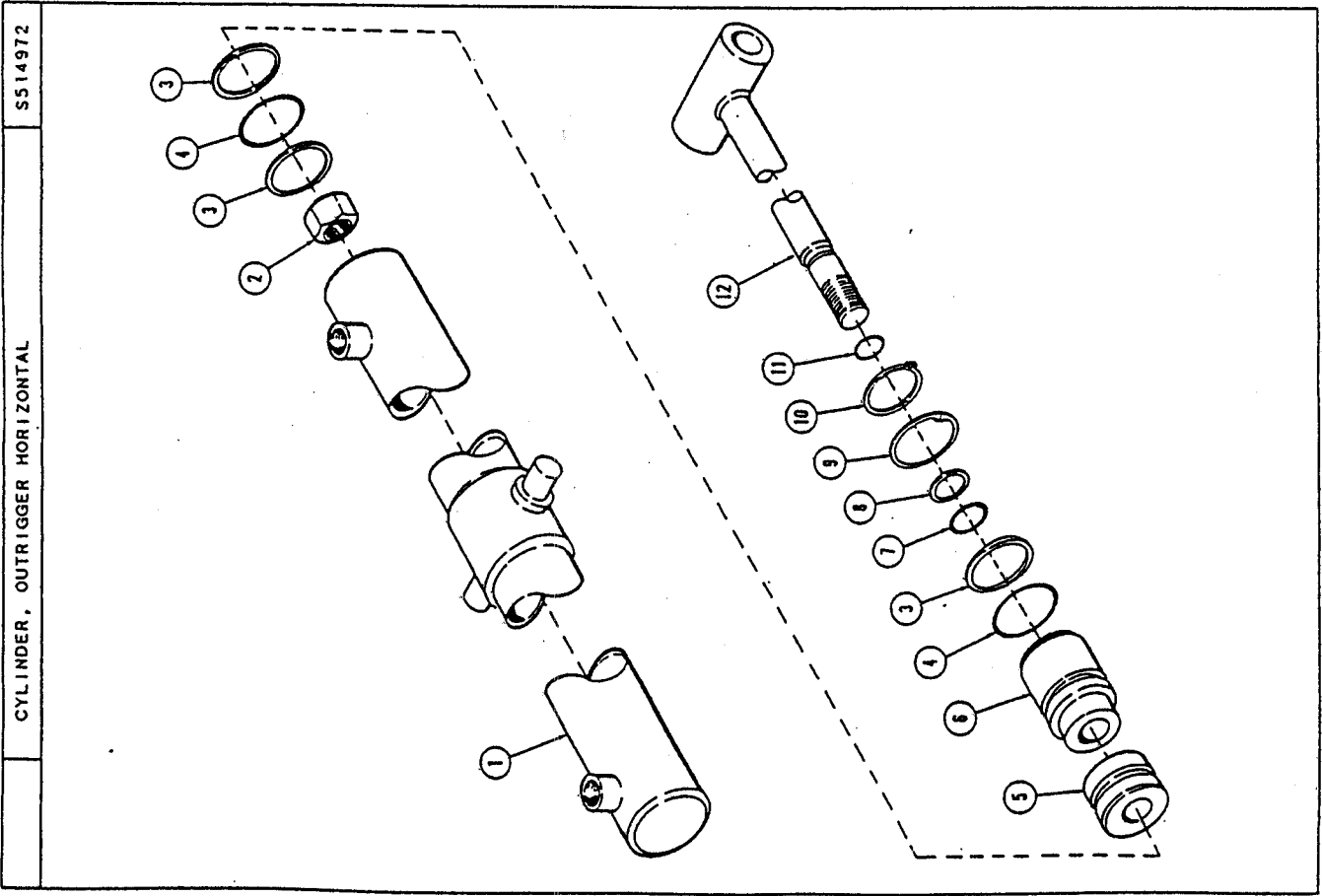
HITCH ASSEMBLY

S32158

PARTS BREAKDOWN BILL OF MATERIAL

ITEM	QTY	PART NO	DESCRIPTION
1	1	S32158	HITCH ASSEMBLY
2	1	S32377	MAIN BODY
3	1	S29580	UPPER JAW
4	1	S29583	SPRING ARM
5	1	S68874	SPRING
6	1	S68875	RIVET
7	1	2431	BOLT
8	1	4398	LOCKWASHER
		4263	NUT



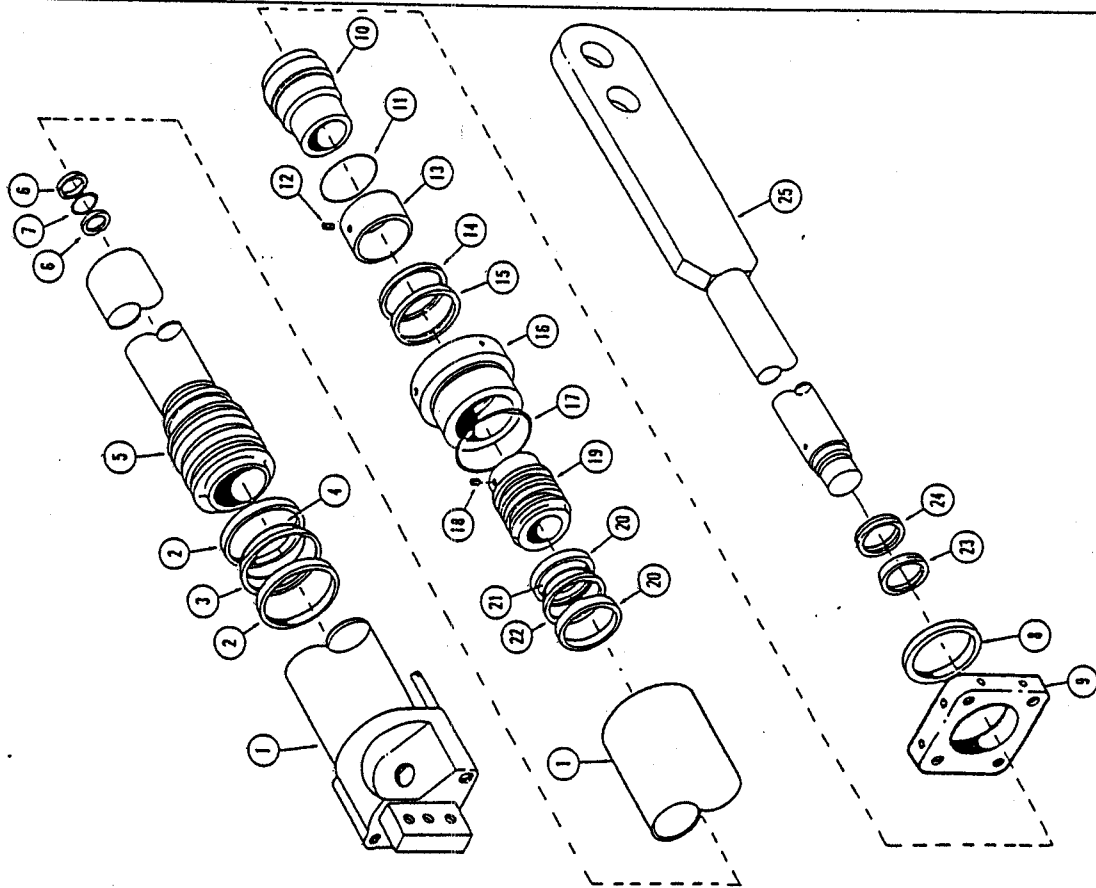


PARTS BREAKDOWN BILL OF MATERIAL

ITEM	QTY	PART NO	DESCRIPTION
1	1	SS14972	CYLINDER, OUTRIGGER HORIZONTAL
2	1	N60061	TUBE CYLINDER
3	1	131-59	NUT LOCK
3	3	N60090	WASHER, BACKUP
4	2	A27577	O-RING
5	1	N60088	PISTON, CYLINDER
6	1	N60087	GUIDE, PISTON ROD
7	1	A7623	O-RING
8	1	N60089	RING, BACKUP
9	1	L32161	RING, SNAP, INTERNAL
10	1	T28550	RING, SNAP, EXTERNAL
11	1	A17526	O-RING
12	1	N60062	ROD, PISTON
13	UAR	N60091	SEAL KIT, (ITEMS 3,4 & 7 THRU 11)

CYLINDER, CROWD

S610101

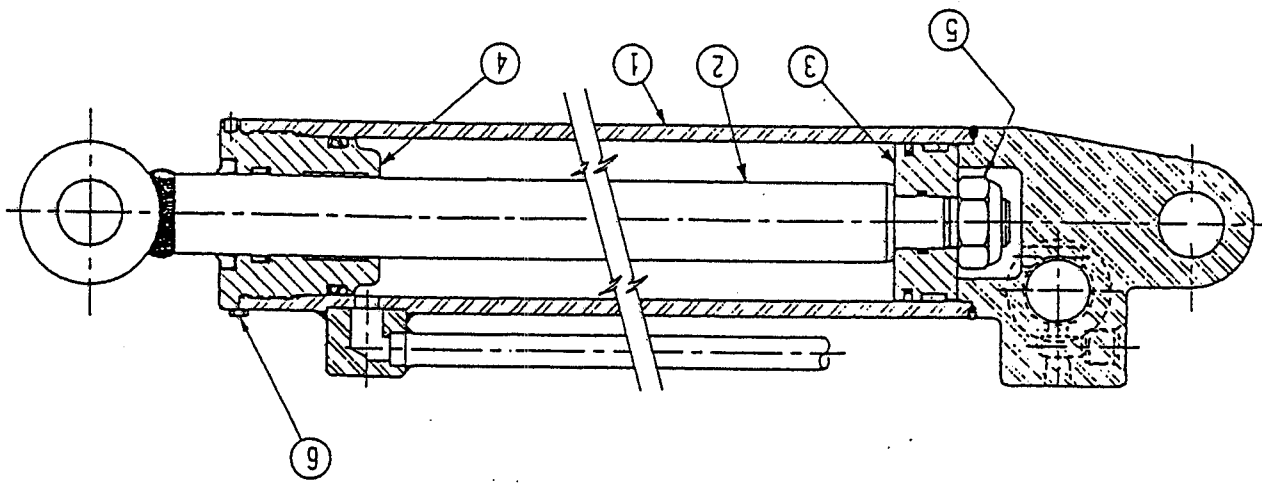


PARTS BREAKDOWN BILL OF MATERIAL

ITEM	QTY	PART NO	DESCRIPTION
1	1	S610101	CYLINDER, CROWD
2	1	S510632	TUBE, CYLINDER
3	2	S99174	RING, WEAR
4	1	W15846	SEAL, PISTON
5	1	G104038	O-RING, 3-31/64X3-11/16X13/64"
6	1	S510961	TUBE, INTERMEDIATE
7	2	S6905	RING, BACKUP
8	1	A7982	O-RING, 39/64X13/16X13/64
9	1	F11296	RING, RETAINING
10	1	S229845	GUIDE-BEARING (3-SECT BOOH)
11	1	S237647	GUIDE-BEARING (4-SECT BOOH)
12	1	S511028	HEAD, CYLINDER
13	1	A27996	O-RING 2-7/64X3-1/64X9/32
14	2	187-1820	SCREW, NO.8 X 1/4" NC SELF TAPPING
15	1	S235156	SPACER
16	1	S99177	RING, WIPER
17	1	S99173	SEAL, ROD
18	1	S511027	HEAD, CYLINDER
19	1	A27507	O-RING, 3-63/64X4-17/64X932
20	1	178-881	SCREW, SET
21	2	S511029	PISTON
22	1	S99175	RING, WEAR
23	1	A11021	O-RING, 2-35/64X2-25/32X15/64
24	1	S99172	SEAL, PISTON
25	1	S99176	ROD, PISTON
26	1	S510631	ROD, PISTON

S610429

CYLINDER, OUTRIGGER VERTICAL



PARTS BREAKDOWN BILL OF MATERIAL

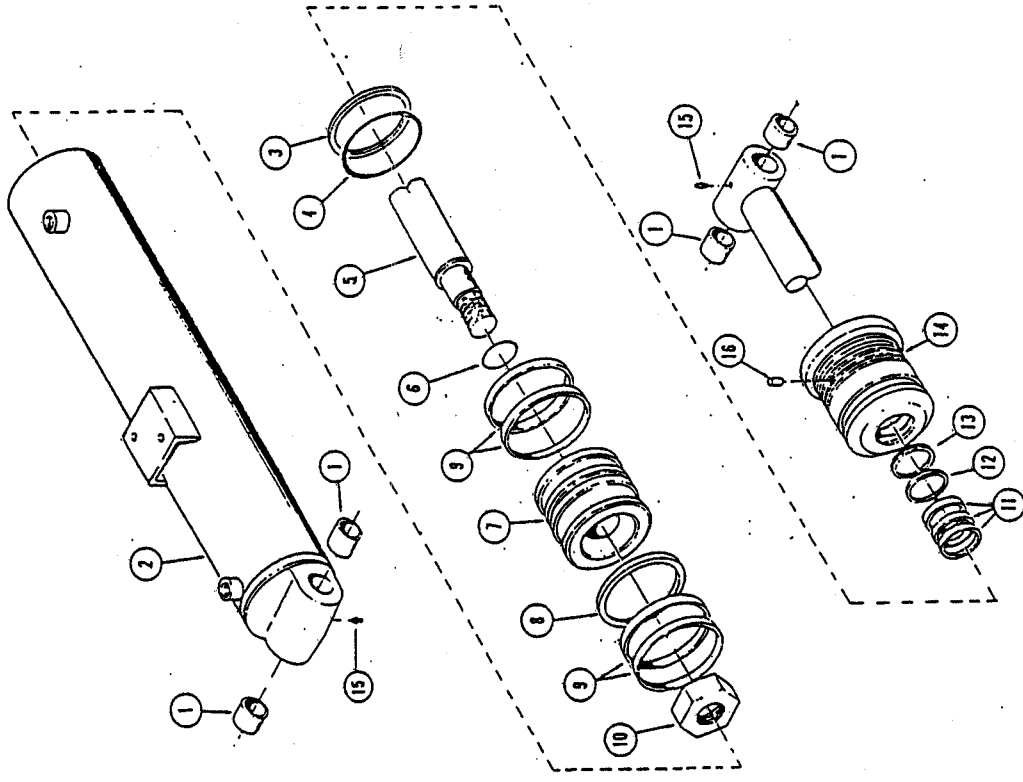
ITEM	QTY	PART NO	DESCRIPTION
1	1	S610429	CYLINDER, OUTRIGGER VERTICAL
2	1	1000965	BARREL ASSEMBLY
3	1	1000906	ROD ASSEMBLY
4	1	1000967	PISTON ASSEMBLY
5	1	1000968	ROAD BEARING ASSY
6	1	1000969	NUT
8	1	1000502	CAP SCREW
	UAR	1000970	SEAL KIT (NOT SHOWN)

CYLINDER, LIFT

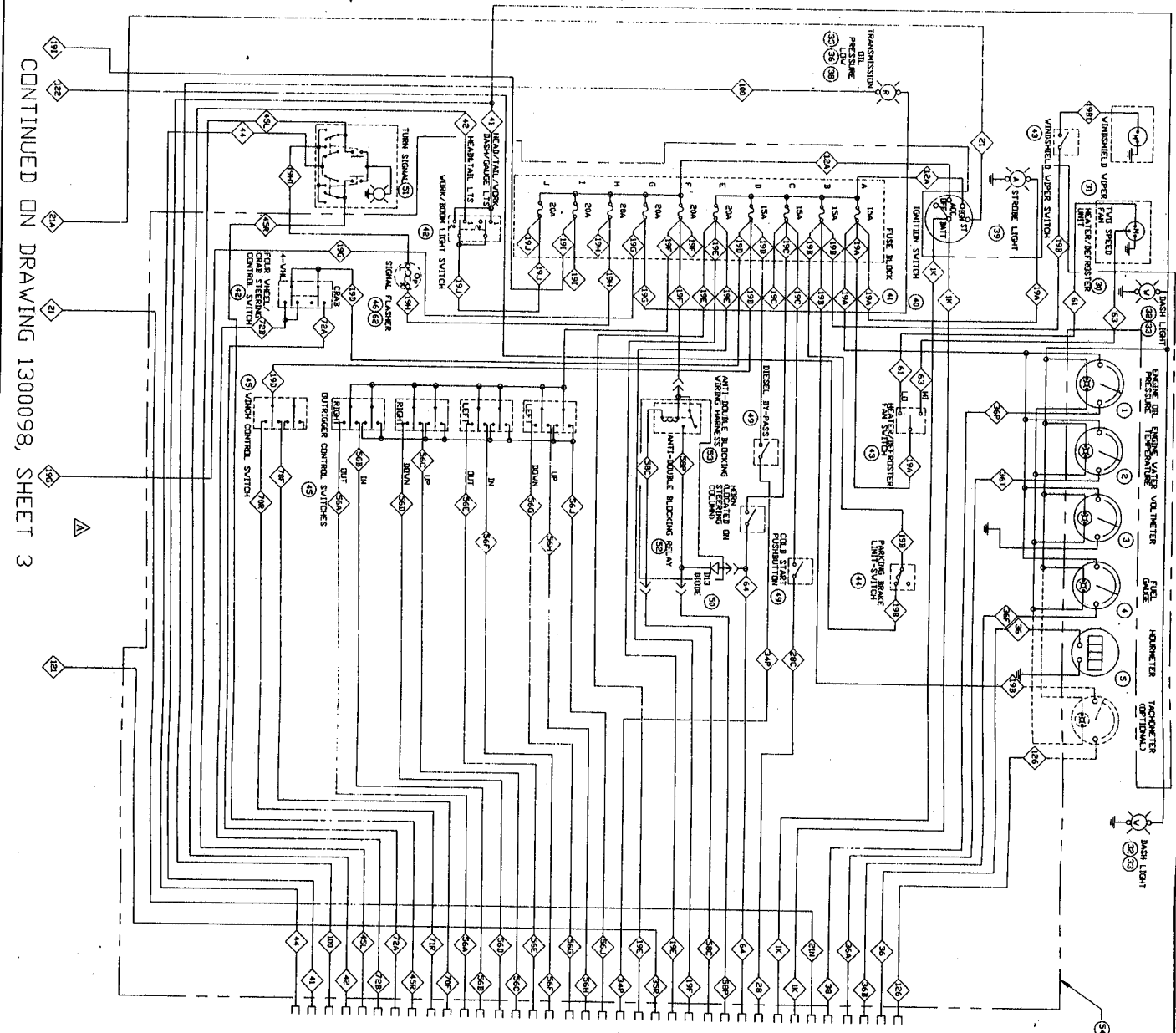
S615282

PARTS BREAKDOWN BILL OF MATERIAL

ITEM	QTY	PART NO	DESCRIPTION
1	1	S615282	CYLINDER, LIFT
2	4	S202130	BUSHING
3	1	S514477	TUBE, CYLINDER
4	1	S99881	RING, BACKUP
5	1	S6030	O-RING
6	1	S230287	ROD, PISTON
7	1	S5920	O-RING
8	1	S510700	PISTON
9	4	S107688	SEAL, PISTON
10	1	S97856	RING, WEAR
11	1	S80914	NUT, LOCK
12	3	S228609	RING, WEAR
13	1	S106858	SEAL, ROD
14	1	S105297	WIPER
15	2	S510496	HEAD FITTING, GREASE
16	2	S115116	INSERT, NYLON



SCHEMATICS



CONTINUED ON DRAWING 1300098, SHEET 3

CONTINUED ON
DRAWING 1300098,
SHEET 2

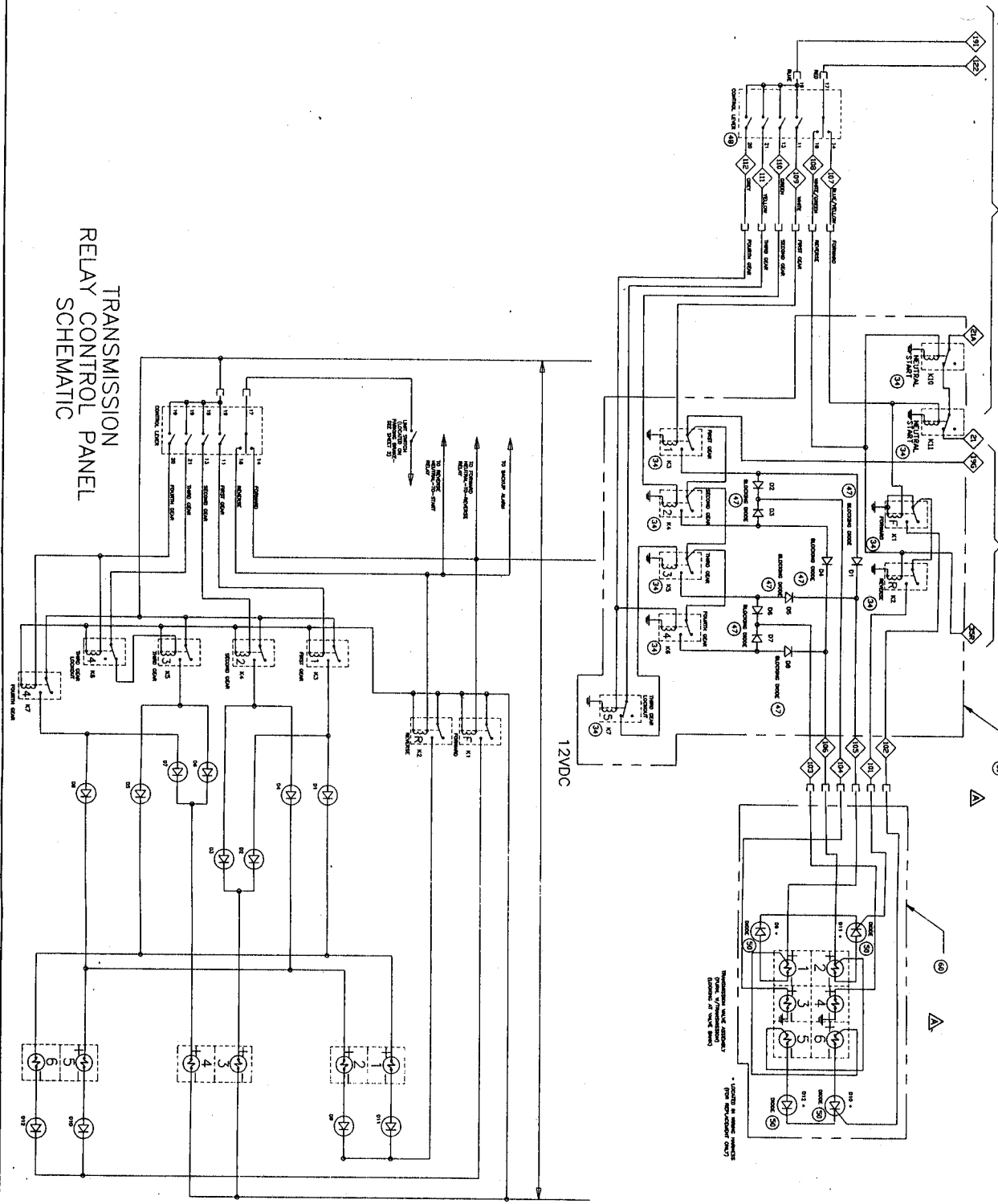
GENERAL NOTES:
1. WORK THIS DRAWING WITH SHEETS 2 AND 3

1300098

NO.	DESCRIPTION	REV.	DATE
1	REVISION		
2	REVISION		
3	REVISION		
4	REVISION		
5	REVISION		
6	REVISION		
7	REVISION		
8	REVISION		
9	REVISION		
10	REVISION		
11	REVISION		
12	REVISION		
13	REVISION		
14	REVISION		
15	REVISION		
16	REVISION		
17	REVISION		
18	REVISION		
19	REVISION		
20	REVISION		
21	REVISION		
22	REVISION		
23	REVISION		
24	REVISION		
25	REVISION		
26	REVISION		
27	REVISION		
28	REVISION		
29	REVISION		
30	REVISION		
31	REVISION		
32	REVISION		
33	REVISION		
34	REVISION		
35	REVISION		
36	REVISION		
37	REVISION		
38	REVISION		
39	REVISION		
40	REVISION		
41	REVISION		
42	REVISION		
43	REVISION		
44	REVISION		
45	REVISION		
46	REVISION		
47	REVISION		
48	REVISION		
49	REVISION		
50	REVISION		
51	REVISION		
52	REVISION		
53	REVISION		
54	REVISION		
55	REVISION		
56	REVISION		
57	REVISION		
58	REVISION		
59	REVISION		
60	REVISION		
61	REVISION		
62	REVISION		
63	REVISION		
64	REVISION		
65	REVISION		
66	REVISION		
67	REVISION		
68	REVISION		
69	REVISION		
70	REVISION		
71	REVISION		
72	REVISION		
73	REVISION		
74	REVISION		
75	REVISION		
76	REVISION		
77	REVISION		
78	REVISION		
79	REVISION		
80	REVISION		
81	REVISION		
82	REVISION		
83	REVISION		
84	REVISION		
85	REVISION		
86	REVISION		
87	REVISION		
88	REVISION		
89	REVISION		
90	REVISION		
91	REVISION		
92	REVISION		
93	REVISION		
94	REVISION		
95	REVISION		
96	REVISION		
97	REVISION		
98	REVISION		
99	REVISION		
100	REVISION		

ELEC WIRING DIAGRAM

1300098



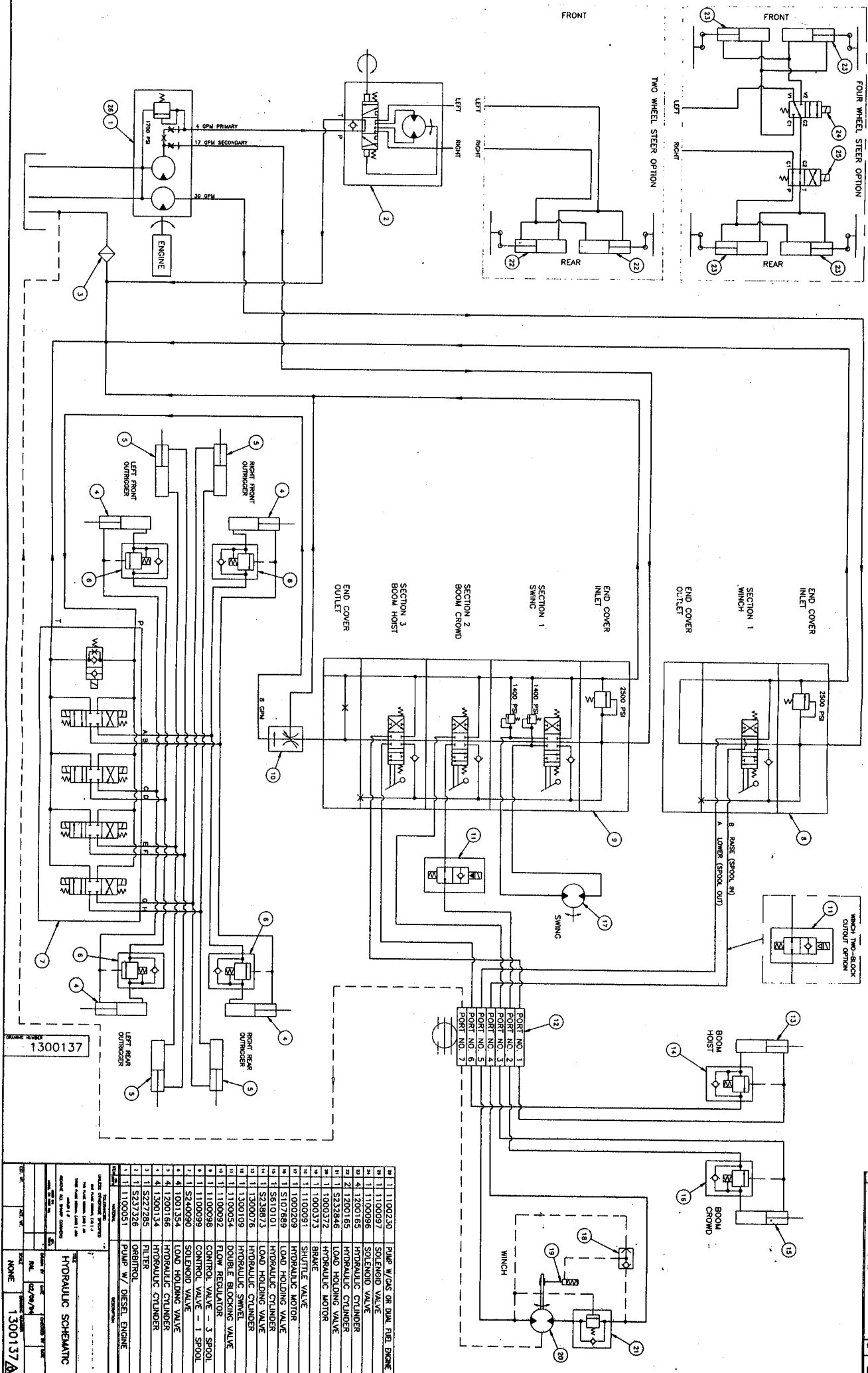
TRANSMISSION
 RELAY CONTROL PANEL
 SCHEMATIC

1300098
 SHEET 1 OF 2

- GENERAL NOTES:
- 1 FOR BILL OF MATERIAL, SEE SHEET 1, AND 2
 - 2 WORK THIS DRAWING WITH SHEETS 1 AND 2

DATE	12/21/78	BY	AV
DESIGNER	AV	CHECKED	AV
PROJECT	1300098		
DESCRIPTION	RELAY CONTROL PANEL SCHEMATIC		

DATE	12/21/78
BY	AV
CHECKED	AV



NO.	DESCRIPTION	QTY.	REMARKS
1	1100230	1	PUMP W/O/S OR DUAL FUEL ENGINE
2	1100097	1	SOLENOID VALVE
3	1100098	1	SOLENOID VALVE
4	1200155	1	HYDRAULIC CYLINDER
5	1200155	1	HYDRAULIC CYLINDER
6	1200155	1	HYDRAULIC CYLINDER
7	1200155	1	HYDRAULIC CYLINDER
8	1200155	1	HYDRAULIC CYLINDER
9	1200155	1	HYDRAULIC CYLINDER
10	1200155	1	HYDRAULIC CYLINDER
11	1000372	1	HYDRAULIC MOTOR
12	1100091	1	SHUTTLE VALVE
13	1100209	1	HYDRAULIC MOTOR
14	1100209	1	HYDRAULIC MOTOR
15	1100209	1	HYDRAULIC MOTOR
16	1100209	1	HYDRAULIC MOTOR
17	1100209	1	HYDRAULIC MOTOR
18	1100209	1	HYDRAULIC MOTOR
19	1100209	1	HYDRAULIC MOTOR
20	1100209	1	HYDRAULIC MOTOR
21	1100209	1	HYDRAULIC MOTOR
22	1100209	1	HYDRAULIC MOTOR
23	1100209	1	HYDRAULIC MOTOR
24	1100209	1	HYDRAULIC MOTOR
25	1100209	1	HYDRAULIC MOTOR
26	1100209	1	HYDRAULIC MOTOR
27	1100209	1	HYDRAULIC MOTOR
28	1100209	1	HYDRAULIC MOTOR
29	1100209	1	HYDRAULIC MOTOR
30	1100209	1	HYDRAULIC MOTOR
31	1100209	1	HYDRAULIC MOTOR
32	1100209	1	HYDRAULIC MOTOR
33	1100209	1	HYDRAULIC MOTOR
34	1100209	1	HYDRAULIC MOTOR
35	1100209	1	HYDRAULIC MOTOR
36	1100209	1	HYDRAULIC MOTOR
37	1100209	1	HYDRAULIC MOTOR
38	1100209	1	HYDRAULIC MOTOR
39	1100209	1	HYDRAULIC MOTOR
40	1100209	1	HYDRAULIC MOTOR
41	1100209	1	HYDRAULIC MOTOR
42	1100209	1	HYDRAULIC MOTOR
43	1100209	1	HYDRAULIC MOTOR
44	1100209	1	HYDRAULIC MOTOR
45	1100209	1	HYDRAULIC MOTOR
46	1100209	1	HYDRAULIC MOTOR
47	1100209	1	HYDRAULIC MOTOR
48	1100209	1	HYDRAULIC MOTOR
49	1100209	1	HYDRAULIC MOTOR
50	1100209	1	HYDRAULIC MOTOR
51	1100209	1	HYDRAULIC MOTOR
52	1100209	1	HYDRAULIC MOTOR
53	1100209	1	HYDRAULIC MOTOR
54	1100209	1	HYDRAULIC MOTOR
55	1100209	1	HYDRAULIC MOTOR
56	1100209	1	HYDRAULIC MOTOR
57	1100209	1	HYDRAULIC MOTOR
58	1100209	1	HYDRAULIC MOTOR
59	1100209	1	HYDRAULIC MOTOR
60	1100209	1	HYDRAULIC MOTOR
61	1100209	1	HYDRAULIC MOTOR
62	1100209	1	HYDRAULIC MOTOR
63	1100209	1	HYDRAULIC MOTOR
64	1100209	1	HYDRAULIC MOTOR
65	1100209	1	HYDRAULIC MOTOR
66	1100209	1	HYDRAULIC MOTOR
67	1100209	1	HYDRAULIC MOTOR
68	1100209	1	HYDRAULIC MOTOR
69	1100209	1	HYDRAULIC MOTOR
70	1100209	1	HYDRAULIC MOTOR
71	1100209	1	HYDRAULIC MOTOR
72	1100209	1	HYDRAULIC MOTOR
73	1100209	1	HYDRAULIC MOTOR
74	1100209	1	HYDRAULIC MOTOR
75	1100209	1	HYDRAULIC MOTOR
76	1100209	1	HYDRAULIC MOTOR
77	1100209	1	HYDRAULIC MOTOR
78	1100209	1	HYDRAULIC MOTOR
79	1100209	1	HYDRAULIC MOTOR
80	1100209	1	HYDRAULIC MOTOR
81	1100209	1	HYDRAULIC MOTOR
82	1100209	1	HYDRAULIC MOTOR
83	1100209	1	HYDRAULIC MOTOR
84	1100209	1	HYDRAULIC MOTOR
85	1100209	1	HYDRAULIC MOTOR
86	1100209	1	HYDRAULIC MOTOR
87	1100209	1	HYDRAULIC MOTOR
88	1100209	1	HYDRAULIC MOTOR
89	1100209	1	HYDRAULIC MOTOR
90	1100209	1	HYDRAULIC MOTOR
91	1100209	1	HYDRAULIC MOTOR
92	1100209	1	HYDRAULIC MOTOR
93	1100209	1	HYDRAULIC MOTOR
94	1100209	1	HYDRAULIC MOTOR
95	1100209	1	HYDRAULIC MOTOR
96	1100209	1	HYDRAULIC MOTOR
97	1100209	1	HYDRAULIC MOTOR
98	1100209	1	HYDRAULIC MOTOR
99	1100209	1	HYDRAULIC MOTOR
100	1100209	1	HYDRAULIC MOTOR

HYDRAULIC SCHEMATIC
 PART NO. 1300137
 DATE: 11/10/81
 DRAWN BY: J. L. ...
 CHECKED BY: ...
 APPROVED BY: ...
 NONE

ALPHABETICAL INDEX BY PART DESCRIPTION

INDEX - ALPHABETIC ORDER BY PART DESCRIPTION

DESCRIPTION	PART NO	ITEM	PLATE
		25	
(PT) SWING GEAR/PINION	1000817	4	
MOBILTAC 275 OPEN GEAR LUBE		9	0-1101; 0-1102; 0-1103; 0-1104
(QT) AXLE DIFF. & HUBS - HURTH	1100179	3	0-1102; 0-1104
MOBILFLUID #424			0-1104
(QT) HYDRAULIC SYSTEM - MOBILFLUID #424	1100179	11	0-1101; 0-1102; 0-1103; 0-1104
(QT) TORQUE CONVERTER - MOBILFLUID #424	1100179	10	0-1101; 0-1102; 0-1103; 0-1104
(QT) TRANSMISSION - MOBIL ATF210	1001249	5	0-1101; 0-1102; 0-1103; 0-1104
(QT) WINCH GEARCASE - 600W CYLINDER OIL	1000403	8	0-1101; 0-1102; 0-1103; 0-1104
..ALARM - BACKUP	D121972	4	S-0401
..BATTERY - 12V, 90A	S100895	12	A-0101; A-0114
..BATTERY - 12V, 90A	S100895	8	0-0601; 0-0602
..BULB - 12VDC	1001131	32	S-0403
..BULB - PANEL LIGHT	71421	10	S-0403
..CONTROL LEVER - TRANSMISSION	1100189	12	S-0106
..DIODE - 1N1199A	1001227	18	S-0404
..DIODE - 1N5402	1000384	22	S-0404
..FLASHER - TURN SIGNAL	1000996	14	S-0403
..FLASHER BRACKET	1000997	33	S-0403
..HARNESS - ENGINE WIRING	1300128	1	0-0601
..HARNESS - INSTRUMENT PANEL	1300126	1	S-0403
..HARNESS - MAIN WIRING	1300127	1	S-0401
..HARNESS - OUTRIGGER VALVE	1200067	1	S-0402
..HARNESS - OUTRIGGER/4 WHL STR	1300133	2	S-0402
..HARNESS - RELAY WIRING	1100108	38	S-0206
..HARNESS - TRANSMISSION WIRING	1300130	1	S-0404
..HARNESS - WIRING, BACK UP ALARM	S240385	22	S-0401
..HOLDER - FUSE	1001189	19	S-0403
..HOLDER - LAMP	1001129	30	S-0403
..HORN	S203189	10	S-0401
..LENS - RED	1001130	31	S-0403
..LIGHT	1000078	6	A-0118
..LIGHT - FRONT TURN SIGNAL	S31862	7	S-0401
..LIGHT - HEAD	1000078	6	S-0401

INDEX - ALPHABETIC ORDER BY PART DESCRIPTION

DESCRIPTION	PART NO	ITEM	PLATE
..LIGHT - PANEL	S28822	9	S-0403
..LIGHT - REAR TURN SIGNAL & TAIL LIGHT	S31861	8	S-0401
..MICROSWITCH	S82976	2	A-0119; A-0120
..MICROSWITCH (FOR REPLACEMENT ORDER 1500227)	S82976	3	S-0206
..MOTOR - WIPER	1000340	3	A-0105
..PANEL - RELAY MOUNTING	1100271	4	S-0404
..REEL - CABLE, STD BOOM	1500217	16	S-0206
..RELAY	S513724	41	S-0206
..RELAY - SPDT	1001188	13	S-0404
..RESISTOR	F22316	11	O-0601
..STROBE LIGHT - AMBER	1000051	1	A-0113
..SWITCH - 4 WHEEL STEER	1000366	16	O-0702
..SWITCH - DPDT, MAIN	1000366	7	A-0111
..SWITCH - IGNITION (KEY S108413A)	S108413	16	S-0403
..SWITCH - LIGHT	1000366	8	S-0403
..SWITCH - LIMIT	1000374	13	S-0107
..SWITCH - SPST, MOM	1001208	15	A-0101
..SWITCH - STOP LIGHT	S49603	1	O-1001; O-1002
..SWITCH - TOGGLE	S117471	5	A-0114
..SWITCH - TOGGLE	S117471	13	S-0403
..SWITCH - TURN SIGNAL	S515141	15	S-0403
..SWITCH, WINDSHIELD WIPER	1001193	61	A-0105
..SWIVEL - ELECTRIC (1 POLE)	S208459	24	S-0206
..SWIVEL - ELECTRIC (2 POLE)	S106375	4	A-0118
..SWIVEL - ELECTRIC (2 POLE)	S106375	36	S-0206
ADAPTER	1001685	2	S-0301
ADAPTOR - HORN BUTTON	L60175	3	S-0106
AIR CLEANER ASSEMBLY	1000106	21	O-0201
AIR CLEANER ASSEMBLY	1000114	21	O-0202
ANGLE - MOUNTING	1000029	1	A-0101
ARM	1001602	30	O-0102; O-0103
ARM ASSEMBLY - WIPER	F42721	4	A-0105
ARRESTOR - SPARK	A135428	15	O-0404
AXLE - BEAM (REAR STEER)	1200037	1	S-0201
AXLE - DRIVE (ROCKWELL)	1300002	1	O-0701
AXLE - DRIVE/RIGID (HURTH)	1300141	1	O-0703
AXLE - DRIVE/STEER (HURTH)	1300024	1	O-0702
BALL JOINT	A10329	36	O-0102; O-0103
BALLJOINT	1001233	5	S-0102
BALLJOINT	R47940	28	S-0202
BAR	S239216	6	A-0102; A-0103; A-0104
BAR	1001290	49	A-0105
BAR	1001299	18	S-0106
BAR - RETAINING	S110729	10	O-1201;

INDEX - ALPHABETIC ORDER BY PART DESCRIPTION

DESCRIPTION	PART NO	ITEM	PLATE
BAR - WEAR	S229806	66	0-1202
BAR, SWIVEL (AFTER W-1328)	1001627	30	0-1202
BEARING	S49218	27	S-0206
BEARING	S49218	15	S-0104
BEARING	S115149	26	S-0201
BEARING - BRASS GUIDE	S61627	7	0-1201;
			0-1202
BEARING - BRASS GUIDE	S64984	8	
BEARING - CROWD CYLINDER FRONT	S229808	52	0-1201;
			0-1202
BEARING - CROWD CYLINDER GUIDE	S108010	63	0-1201
BEARING - CROWD CYLINDER GUIDE	S115077	63	0-1202
BEARING - FLANGED	S113843	16	0-1201;
			0-1202
BEARING - NYLATRON	S233617	9	0-1201;
			0-1202
BEARING - TOP REAR BOOM	S229807	31	0-1201;
			0-1202
BEARING - TURNTABLE	1100062	4	S-0203
BELT - SAFETY	S237536	2	0-1401;
			0-1402
BLADE - WIPER	1001198	5	A-0105
BLOCK - FITTING	S114811	28	0-1002
BLOCK - HITCH MOUNTING	S233687	4	A-0108
BLOCK - TUBE	1100114	16	S-0304
BLOCK - TUBE	1000102	17	S-0305
BLOCK - TUBE	1000102	17	S-0306
BOLT - 3/4 X 6.63 NC HEX	1000392	17	S-0207
BOLT - BATTERY HOLD DOWN	S402776	14	A-0101;
			A-0114
BOLT - BATTERY HOLD DOWN	S402776	17	0-0601;
			0-0602
BOLT - BRASS	S99801	25	S-0206
BOLT - LINE	S114813	26	0-1002
BOLT - U FLAT	1000411	3	0-0702;
			0-0703
BOOM - SECTION 1 (LONG)	1300125	1	0-1201;
			0-1202
BOOM - SECTION 1 (STD)	1300124	1	0-1201;
			0-1202
BOOM - SECTION 2 (LONG)	1300132	27	0-1201;
			0-1202
BOOM - SECTION 2 (STD)	1300131	27	0-1201;
			0-1202
BOOM - SECTION 3 (LONG)	1300080	65	0-1202
BOOM - SECTION 3 (STD)	S614121	65	0-1202
BOOM - SECTION 3 OF 3 (LONG)	1300112	61	0-1201
BOOM - SECTION 3 OF 3 (STD)	1300111	61	0-1201
BOOM - SECTION 4 OF 4 (LONG)	1300114	61	0-1202
BOOM - SECTION 4 OF 4 (STD)	1300113	61	0-1202

INDEX - ALPHABETIC ORDER BY PART DESCRIPTION

DESCRIPTION	PART NO	ITEM	PLATE
BOOM - SEQUENCING (LONG)	1300079	18	0-1201; 0-1202
BOOM - SEQUENCING (STD)	S609092	18	0-1201; 0-1202
BOOT - BRAKE	S107557	7	S-0104
BOOT - RUBBER SWITCH	1000371	22	0-0702
BOWL - FUEL SEDIMENT	1000981	9	0-0301
BOX - OPERATORS MANUAL	1000036	4	S-0101
BOX, ELEC	S239135	3	A-0118
BOX, ELEC	S239135	35	S-0206
BRACKET	1100306	5	0-0403; 0-0404
BRACKET	S239541	26	S-0305
BRACKET	S239541	26	S-0306
BRACKET - ACCELERATOR CABLE	1100244	29	0-0101
BRACKET - AIR CLEANER MOUNTING (DIESEL)	1200075	32	0-0201
BRACKET - BATTERY HOLD DOWN	1001099	18	0-0601; 0-0602; A-0101; A-0114
BRACKET - CABLE	1100238	16	S-0107
BRACKET - CYLINDER HEAD MOUNTING	S510167	3	0-1201; 0-1202
BRACKET - DASHBOARD	1300110	1	S-0104
BRACKET - ENGINE MOUNTING	1300091	15	0-0101
BRACKET - ENGINE MOUNTING	1300090	15	0-0102; 0-0103
BRACKET - LIGHT MOUNTING	1100035	5	A-0113
BRACKET - LP TANK MTG	1000068	55	0-0103
BRACKET - PARKING BRAKE	1200060	9	S-0107
BRACKET - PIPE	1100270	3	0-0401
BRACKET - RADIATOR MOUNTING LEFT	1200073	15	0-0201; 0-0202
BRACKET - RADIATOR MOUNTING RIGHT	1200074	14	0-0201; 0-0202
BRACKET - REEL	S242322	17	S-0206
BRACKET - STEER CYLINDER MOUNTING	1100087	12	0-0702
BRACKET - SWITCH SUPPORT	1200136	8	S-0206
BRACKET - SWITCH SUPPORT	1100228	1	
BRACKET, LIGHT	1001057	1	A-0118
BRACKET, LIGHT	1001123	2	
BRAKE - FAILSAFE	1000373	1	S-0204
BRAKE MASTER CYLINDER	S242884	22	0-1001
BRAKE MASTER CYLINDER	1000353	7	0-1002
BULB - LIGHT 12V	B50213	18	S-0403
BUSHING	A13845	6	S-0204
CABLE - ACCELERATOR	1001192	4	S-0102
CABLE - BATTERY GROUND	1001293	7	0-0601; 0-0602
CABLE - BATTERY JUMPER	1001294	13	A-0101; A-0114

INDEX - ALPHABETIC ORDER BY PART DESCRIPTION

DESCRIPTION	PART NO	ITEM	PLATE
CABLE - BATTERY TO STARTER	1001292	9	0-0601; 0-0602
CABLE - BRAKE	S230935	4	S-0107
CABLE - CHOKE	S201620	14	0-0102; 0-0103
CABLE - CONTROL 66"	S200775M1	15	S-0105
CABLE - CONTROL 82"	S237332	16	S-0105
CALIPER - DISC BRAKE	S242975	14	0-1001
CALIPER - DISC BRAKE	1100109	14	0-1002
CALIPER - PARKING BRAKE	1100181	3	0-0101; 0-0102; 0-0103
CAP - DUST	S206608	17	S-0310
CAP - FUEL TANK FILLER	A18870	30	S-0205
CAP - HUB	1100025	8	S-0201
CAP - RADIATOR	D25826	18	0-0201; 0-0202
CAP - RUBBER 1.75 DIA	1100046	27	0-0201
CAP - RUBBER 2.38 DIA	1100045	27	0-0202
CARTRIDGE - COUNTERBALANCE VALVE	1001354	30	S-0305; S-0306
CHANNEL - ELECTRIC RECESSED WINCH MOUNTING	1000344	2	A-0114
CLAMP	R14668	10	A-0111
CLAMP	A23133	4	S-0201
CLAMP	S77479	5	S-0206
CLAMP	A62209	43	
CLAMP - COLUMN	1100252	13	S-0106
CLAMP - DOUBLE 3/8	1000405	15	0-0601; 0-0602
CLAMP - DOUBLE 3/8	1000405	22	S-0105
CLAMP - HARNESS	R14668	3	0-0601; 0-0602
CLAMP - MUFFLER 2" (SADDLE TYPE)	1000989	8	0-0403
CLAMP - MUFFLER 2" (SADDLE TYPE)	1000989	8	0-0404
CLAMP - MUFFLER 2.25" (SADDLE TYPE)	A27077	11	0-0401
CLAMP - MUFFLER 2.25" (SADDLE TYPE)	A27077	11	0-0402
CLAMP - MUFFLER 2.25" (SADDLE TYPE)	A27077	6	0-0403; 0-0404
CLAMP - MUFFLER 2.50" (SADDLE TYPE)	1000022	14	0-0402
CLAMP - STD. HVY. D. BAND (2.18-1.92)	S85429	6	S-0302
CLAMP - TUBE	49851	17	0-1001
CLAMP - TUBE	A38799	13	0-1001; 0-1002
CLAMP - TUBE	49851	17	0-1002
CLAMP - TUBE	A38799	4	S-0206
CLAMP - TUBE	S83619	22	S-0305
CLAMP - TUBE	S83619	22	S-0306
CLAMP - TUBE 1.00	S91602	27	S-0303
CLAMP - TUBE 1.00	S91602	22	S-0310
CLAMP - TUBE 1.50	S98324	11	S-0302
CLAMP - TUBE 3/4	S97491	26	S-0303

INDEX - ALPHABETIC ORDER BY PART DESCRIPTION

DESCRIPTION	PART NO	ITEM	PLATE
CLAMP - TUBE 3/4	S97491	21	S-0310
CLAMP - U BOLT	S49658	18	S-0107
CLAMP - U-BOLT	S49658	5	S-0107
CLAMP - WIRE ROPE	S100797	22	S-0207
CLAMP ASSEMBLY 1/2	S97489	19	0-0901; 0-0902; 0-0903
CLEAT - SAFETY	S49675	12	S-0101
COLUMN - STEERING	S232587	6	S-0106
CONDUIT	1000076	22	S-0206
CONE - BEARING	S94408	18	S-0201
CONE - BEARING	S94414	12	
CONNECTOR	S4044	5	S-0302
CONNECTOR - BULLET	S49944	28	S-0403
COUNTERWEIGHT - REAR	1200084	1	A-0117
COUPLING - QUICK	S206607	16	S-0310
COVER	S117470	15	S-0202
COVER - ACCELERATOR PEDAL, FRONT	1001190	2	S-0102
COVER - ACCELERATOR PEDAL, REAR	1001191	3	S-0102
COVER - INSTRUMENT ACCESS PANEL	S236142	18	S-0101
COVER - SWING GEAR	1200039	7	S-0203
CUP - BEARING	A26678	17	S-0201
CUP - BEARING	A26533	13	
CYLINDER - BOOM	1300138	24	S-0303
CYLINDER - CROWD, LONG BOOM	1300083	25	S-0303
CYLINDER - CROWD, STD BOOM	1300143	25	S-0303
CYLINDER - OUTRIGGER HORIZONTAL	1200166	11	S-0305; S-0306
CYLINDER - OUTRIGGER VERTICAL	1300134	1	S-0305; S-0306
CYLINDER - STEERING	1200165	9	0-0702
CYLINDER - STEERING	1200165	2	S-0201
DECAL - ANGLE INDICATOR (LEFT)	S513238	3	0-1501; 0-1502
DECAL - ANGLE INDICATOR (RIGHT)	S513237	2	0-1501; 0-1502
DECAL - BRAKE FLUID	1001324	31	0-1002
DECAL - CAPACITY CHART (LONG BOOM)	1200151	21	0-1501; 0-1502
DECAL - CAPACITY CHART (STD BOOM)	1200152	21	0-1501; 0-1502
DECAL - CARRYING PERSONNEL	1100256	22	0-1501; 0-1502
DECAL - DIESEL FUEL	1001127	10	0-0301
DECAL - ELECTRICAL HAZARD WARNING	1200144	23	0-1501; 0-1502
DECAL - ELECTROCUTION HAZARD	1200143	20	0-1501; 0-1502
DECAL - EXPLOSIVE GASES	1100263	37	0-1501;

INDEX - ALPHABETIC ORDER BY PART DESCRIPTION

DESCRIPTION	PART NO	ITEM	PLATE
DECAL - EXT 4TH BOOM SEC	1100273	70	0-1502
DECAL - FRAME LINES (FRONT AND REAR)	1200010	12	0-1202
DECAL - GASOLINE FUEL	1001128	10	0-1501
DECAL - HAND SIGNALS	S506609	1	0-0302
DECAL - HOT COOLANT	1100259	27	0-1501;
DECAL - HYDRAULIC OIL	S118863	10	0-1502
DECAL - INSTRUMENT PANEL	1300107	17	0-1501;
DECAL - LIGHT DESCRIPTION	1100219	42	0-1502
DECAL - LINES, SHROUD	1200013	36	0-1501
DECAL - LOAD	1000351	23	S-0207
DECAL - LOAD CHART	1200153	2	A-0117
DECAL - LUBE POINTS	1100274	6	0-1501;
DECAL - MACHINE ROLL AWAY	1100257	24	0-1502
DECAL - MACHINE TIPOVER	1100254	16	0-1501;
DECAL - MADE IN U.S.A.	1000041	7	0-1502
DECAL - MARK OF QUALITY	1100030	13	0-1501
DECAL - MOVING PARTS	1100264	28	0-1501;
DECAL - MULTIKRANE 770 (LEFT)	1100117	4	0-1502
DECAL - MULTIKRANE 770 (RIGHT)	1100118	5	0-1502
DECAL - OPERATING INSTRUCTIONS	1100258	33	0-1501;
DECAL - OUTRIGGER OPERATION	1100206	41	0-1502
DECAL - P.C.S.A.	S89871	8	0-1501
DECAL - PETTIBONE/MERCURY	1100116	14	0-1502
DECAL - PINCH POINT	1100262	26	0-1501;
DECAL - RANGE CHART (LONG BOOM)	1200149	19	0-1502
DECAL - RANGE CHART (STD BOOM)	1200150	19	0-1501;
DECAL - SAVE LIVES	1100255	43	0-1502
DECAL - STAY CLEAR	1100267	18	0-1501;
DECAL - STEERING	1000376	15	0-1502
DECAL - WINCH WARNING	1200160	4	0-0702
DECAL - WORK LIGHTS	1001122	10	A-0114
DECAL-JIB INSTALLATION	1200161	40	A-0118
			A-0119;

INDEX - ALPHABETIC ORDER BY PART DESCRIPTION

DESCRIPTION	PART NO	ITEM	PLATE
			A-0120
DECK PLATE - FRONT	1300095	6	S-0202
DECK PLATE - SIDE	1300063	5	S-0202
DIPSTICK	1001301	8	0-0101; 0-0102; 0-0103
DIPSTICK FILLER TUBE	1001302	9	0-0101; 0-0102; 0-0103
DIPSTICK TUBE SEAL & LOCKNUT	1001303	10	0-0101; 0-0102; 0-0103
DISCONNECT - ADAPTER	1000190	5	A-0116
DISCONNECT - ADAPTER	1000190	46	S-0206
DISCONNECT - SINGLE		21	S-0404
DISCONNECT - SINGLE, 0.032"	1001228	9	S-0404
DISCONNECT, DUAL	1001231	24	S-0404
DOOR - TOOL BOX	1200118	33	S-0202
DOOR - TOOL BOX	1200119	32	
DOOR ASSEMBLY	1300070	11	A-0105
DOOR HOLDER	1001330	55	A-0105
DRIVE PLATE KIT	A15669	2	0-0101
DRIVE PLATE KIT	S27479	2	0-0102; 0-0103
DRIVE SHAFT ASSEMBLY	1200127	6	0-0701
DRIVE SHAFT ASSEMBLY	1200174	4	0-0702; 0-0703
DRUM - WIDE	1200116	11	S-0204
ELBOW	S99401	12	S-0310
ELBOW	S99402	10	
ELBOW - (90 DEG) SWIVEL NUT (BSP)	1001221	1	S-0301
ELBOW - 3/4 (45 DEG) SWIVEL NUT (TAPPED)	1000418	46	S-0303
ELBOW - 3/4 (90 DEG) SWIVEL NUT (TAPPED)	1000419	38	S-0303
ELBOW - MALE STR THD METRIC	1000354	23	0-1002
ELBOW - TAPPED	1100022	10	S-0309
ENGINE - DIESEL	1100272	1	0-0101
ENGINE - DUAL FUEL	1100301	1	0-0103
ENGINE - GAS	1100300	1	0-0102
EXHAUST PIPE	1100305	4	0-0403; 0-0404
FAN - DEFROSTER	1001276	6	A-0111
FILTER - FUEL	L79756	4	0-0302
FILTER - HYDRAULIC OIL	S227285	2	S-0205
FITTING - CONTROL CABLE END	S97545	13	S-0105
FITTING - CONTROL CABLE END	1000346	20	
FITTING - GREASE 1/4 NPT STR (MILITARY)	1001711	25	S-0203
FITTING - GREASE 1/8 NPT STR (MILITARY)	1001712	39	A-0119; A-0120
FITTING - GREASE 1/8 NPT STR (MILITARY)	1001712	30	S-0201
FITTING - GREASE 1/8 NPT STR (MILITARY)	1001712	28	S-0207
FITTING - GREASE 1/8 NPT STR (MILITARY)	1001712	32	S-0303

INDEX - ALPHABETIC ORDER BY PART DESCRIPTION

DESCRIPTION	PART NO	ITEM	PLATE
FITTING - GREASE 1/8 NPT STRT (MILITARY)	1001712	17	0-1201; 0-1202
FITTING - GREASE 1/8 PTF 90DEG (MILITARY)	1001713	41	S-0201
FITTING, HEATER	1001347	15	A-0111
FLAP - 10.00 X 15 (PURCH. LOCALLY)	S48964	3	S-0208; 0-0801; 0-0802; A-0102; A-0103; A-0104
FOUNDATION - MAIN WINCH - WIDE DRUM	1200114	5	S-0204
FOUNDATION - VALVE BANK	1300065	1	S-0205
FRAME - MAIN	1300093	12	S-0202
GASKET	S114810	29	0-1002
GASKET - EXHAUST	1000179	2	
GASKET - EXHAUST	1000179	2	0-0401
GASKET - EXHAUST	1000179	2	0-0402
GASKET - EXHAUST	1000180	3	0-0403; 0-0404
GAUGE - ENGINE OIL PRESSURE	1000787	7	S-0403
GAUGE - ENGINE TEMPERATURE	1000786	6	S-0403
GAUGE - FUEL	1000784	4	S-0403
GAUGE - HOURMETER	1000782	2	S-0403
GAUGE - VOLTMETER	1000785	5	S-0403
GEAR REDUCER - SWING	1200031	15	S-0203
GEAR REDUCER - WINCH	1300059	3	S-0204
GLASS - FRONT (PURCH. LOCALLY)	1100285	7	A-0105
GLASS - REAR (PURCH. LOCALLY)	1100103	6	A-0105
GLASS - RIGHT SIDE (PURCH. LOCALLY)	1100102	2	A-0105
GLASS - TOP PANEL (PURCH. LOCALLY)	1100113	1	S-0101
GLASS-SWING PANEL (PURCH. LOCALLY)	1100286	54	A-0105
GROMMET	S79350	10	A-0113
GROMMET	S63550	5	S-0106
GROMMET - CAB MOUNTING	1000001	17	S-0101
GROMMET - RADIATOR MOUNTING	D52276	8	0-0201; 0-0202
GROMMET - RUBBER	1000002	19	0-0101; 0-0102; 0-0103
GROMMET - RUBBER	1000377	26	S-0101
GROMMET - RUBBER	1000002	23	S-0202
GROMMET - RUBBER	S120258	15	S-0206
GROMMET - RUBBER	S120258	29	
GUIDE - CROWD CYLINDER	S229845	62	0-1201
GUIDE - CROWD CYLINDER	S237647	62	0-1202
HANGER - PIPE	S119032	7	0-0401
HANGER - PIPE	S119032	7	0-0402
HANGER - PIPE	S119032	9	0-0403; 0-0404
HARNESS - ENGINE WIRING	1300129	1	0-0602
HARNESS - WINCH SOLENOID	1000427	3	A-0114

INDEX - ALPHABETIC ORDER BY PART DESCRIPTION

DESCRIPTION	PART NO	ITEM	PLATE
HEATER / DEFROSTER - CAB	1001185	13	A-0111
HINGE ASSEMBLY	S238796	20	A-0105
HINGE BRACKET	1200162	24	A-0119;
			A-0120
HITCH	S32158	3	A-0107;
			A-0108
HOOK & BALL	S236044	1	A-0115
HOOK - SHANK MACHINING	1100110	3	S-0207
HORN BUTTON	L114161	1	S-0106
HOSE	1000426	12	S-0302
HOSE - 3/16	D49256	6	O-1001
HOSE - 3/16	D49256	6	O-1002
HOSE - AIR CLEANER	1001619	29	O-0202
HOSE - FUEL 1/4	1000138	2	O-0301
HOSE - FUEL 1/4	1000139	3	O-0302
HOSE - HYD 1 X 23 (COMMERCIAL)	1000404	4	S-0310
HOSE - HYD 1 X 23 (MILITARY)	1000404HP	4	S-0310
HOSE - HYD 1.50 X 25.00	1000332	8	S-0302
HOSE - HYD 1.50 X 32.00	1000333	7	S-0302
HOSE - HYD 1/2 X 20 (COMMERCIAL)	S8577	9	S-0303
HOSE - HYD 1/2 X 20 (COMMERCIAL)	S8577	8	S-0308
HOSE - HYD 1/2 X 20 (MILITARY)	S8577HP	9	S-0303
HOSE - HYD 1/2 X 20 (MILITARY)	S8577HP	8	S-0308
HOSE - HYD 1/2 X 26	S8578	2	A-0116
HOSE - HYD 1/2 X 26 (COMMERCIAL)	S8578	13	S-0308
HOSE - HYD 1/2 X 26 (MILITARY)	S8578HP	13	S-0308
HOSE - HYD 1/2 X 38 (COMMERCIAL)	1000396	10	S-0303
HOSE - HYD 1/2 X 38 (COMMERCIAL)	1000396	7	S-0308
HOSE - HYD 1/2 X 38 (MILITARY)	1000396HP	62	S-0303
HOSE - HYD 1/2 X 38 (MILITARY)	1000396HP	7	S-0308
HOSE - HYD 3/4 X 32 (COMMERCIAL)	S400835	9	S-0310
HOSE - HYD 3/4 X 32 (MILITARY)	S400835HP	9	S-0310
HOSE - HYD 3/4 X 36.50	S400834	4	S-0302
HOSE - HYD 3/8 X 14	1000407	6	O-0901;
			O-0902;
			O-0903
HOSE - HYD 3/8 X 14	1000407	41	O-0902
HOSE - HYD 3/8 X 20	S11226	13	S-0305
HOSE - HYD 3/8 X 20	S11226	13	S-0306
HOSE - HYD 3/8 X 21	1000406	3	O-0901;
			O-0902;
			O-0903
HOSE - HYD 3/8 X 21	1000406	24	O-0902
HOSE - HYD 3/8 X 21	1000406	35	
HOSE - HYD 3/8 X 21	1000406	28	O-0903
HOSE - HYD 3/8 X 22	S73647	24	S-0304
HOSE - HYD 3/8 X 22	S73647	14	S-0309
HOSE - HYD 3/8 X 24	1000409	14	O-0901;
			O-0902;
			O-0903
HOSE - HYD 3/8 X 28	S11230	15	S-0305

INDEX - ALPHABETIC ORDER BY PART DESCRIPTION

DESCRIPTION	PART NO	ITEM	PLATE
HOSE - HYD 3/8 X 28	S11230	15	S-0306
HOSE - HYD 3/8 X 32	1001693	25	0-0903
HOSE - HYD 3/8 X 38	1000398	10	0-0901; 0-0902; 0-0903
HOSE - HYD 3/8 X 38	1000398	24	0-0901; 0-0903
HOSE - HYD 3/8 X 48	1000397	25	0-0902
HOSE - HYD 3/8 X 49	S11229	1	S-0307
HOSE - HYD 3/8 X 49	S11229	15	S-0309
HOSE - HYD 3/8 X 65	S237155	4	S-0305
HOSE - HYD 3/8 X 65	S237155	4	S-0306
HOSE - HYD 5/8 X 34	1001359	14	S-0308
HOSE - HYD 5/8 X 54	1000079	6	S-0308
HOSE - RADIATOR (LOWER)	1000181	23	0-0201
HOSE - RADIATOR (LOWER)	1000182	23	0-0202
HOSE - RADIATOR (UPPER)	1000052	25	0-0201
HOSE - RADIATOR (UPPER)	1000143	25	0-0202
HOSE - RUBBER 1 X 15	S120212	5	S-0309
HOSE - RUBBER 2.50 X 3.00	S120027	8	A-0111
HOSE - RUBBER 3/4 X 25	S120186	3	S-0309
HOSE - RUBBER 5/8 X 19	1000361	8	S-0309
HOSE, HEATER 5/8" X 61"	1001348	16	A-0111
HUB	S608516	15	S-0201
HYD. TUBE 1/4" X 74"	1000076	22	A-0119
INDICATOR - BOOM ANGLE	S113842	13	0-1201; 0-1202
INSERT - BEADED 1.50 HOSE	1000331	3	S-0302
INSULATION - FOAM 1" THK X 37 SQFT	1000193	6	A-0112
JIB FRAME - 10 FT	1300117	1	A-0120
JIB FRAME - 8 FT	1300116	1	A-0119
JIB REST 10'	1200157	33	A-0120
JIB REST 8'	1200164	33	A-0119
KEY	S61610	4	S-0204
KICK GUARD	1100260	38	S-0101
KIT - COLD START	1000030	2	A-0101
KNOB - BALL	1000031	5	S-0105
KNUCKLE - STEERING	1300027	27	S-0201
LATCH	S115055	16	A-0105
LATCH - DOOR	1100202	38	A-0105
LEVEL	1001674	36	S-0101
LEVER - BRAKE	S26639	1	S-0107
LEVER - BRAKE OFFSET	1100075	21	S-0104
LEVER - CONTROL	1100212	7	S-0105
LEVER - CONTROL	1100213	6	
LEVER - STEER, LEFT	1200058	17	0-0702
LEVER - STEER, RIGHT	1200059	18	0-0702
LINK	1200142	20	A-0119; A-0120
LOOM - 3/8	1000105B	13	A-0113
LOOM - 30"	S119695	10	A-0101

INDEX - ALPHABETIC ORDER BY PART DESCRIPTION

DESCRIPTION	PART NO	ITEM	PLATE
LOOM - 30"	S119695	14	S-0206
LOOM 30"	S119695	32	A-0119; A-0120
LUG - BATTERY	1000424	11	A-0114
LUG - LIFTING	1001705	1	A-0106
LUG - TERMINAL	1001234	23	S-0404
MANUAL - PETTIBONE O&M	1001335	38	O-1502
MANUAL - PETTIBONE PARTS	1001351	39	O-1502
MANUAL - SAFETY	S406231	40	O-1501; O-1502
MAST ASSEMBLY	1300044	1	S-0203
MOTOR - HYDRAULIC	1000372	20	S-0204
MOTOR - SWING	1000209	5	S-0203
MOUNT - 4 WAY 3/4	1000103	8	A-0113
MUFFLER	1100269	5	O-0401
MUFFLER	1100269	5	O-0402
MUFFLER	1100269	7	O-0403; O-0404
MUFFLER-STNL STL	1100269SS	5	O-0401
NUT - LUG 3/4 NF	A12522	14	S-0201
NUT - SPEED 3/16	S62144	14	S-0401
NUT - STEERING WHEEL	L33715	2	S-0106
OIL FILTER	1001562	26	O-0102; O-0103
OPERATOR'S & MAINT. MANUAL CUMMINS	1000060	31	O-0101
OPERATORS COMPARTMENT	1300108	5	S-0101
ORBITROL - STEERING	S237326	9	S-0106
OUTRIGGER ARM - WELDED LF & RR	1300135	25	S-0202
OUTRIGGER ARM - WELDED RF & LR	1300136	26	S-0202
OUTRIGGER LEG - WELDED	1200137	24	S-0202
PAD - BRAKE PEDAL	F9197	14	S-0104
PAINT - BLACK	1000414	31	O-1502
PAINT - FEDERAL YELLOW	1000124	30	O-1502
PAINT - GRAY ENAMEL	1000094	31	O-1501
PAINT - ORANGE ENAMEL	1000093	30	O-1501
PANEL - INSTRUMENT	1300105	6	S-0101
PANEL - SIDE	1300104	34	S-0101
PANEL - SIDE FRONT	S239071	9	S-0202
PANEL - SIDE REAR	S239073	8	S-0202
PANEL - SIDE, VALVE BANK	S514629	14	S-0202
PANEL - WINDOW	1200147	48	A-0105
PANEL COVER	1200141	23	S-0101
PARTS MANUAL (CONTINENTAL)	1000400	41	O-0102
PARTS MANUAL (CONTINENTAL)	1000400	61	O-0103
PARTS MANUAL, CUMMINS	1000059	30	O-0101
PEDAL - ACCELERATOR	1100207	1	S-0102
PEDAL - BRAKE	S514653	13	S-0104
PIGTAIL - WIRE ROPE	1000773	27	S-0207
PIN - BOOM PIVOT	S237388	16	S-0204

INDEX - ALPHABETIC ORDER BY PART DESCRIPTION

DESCRIPTION	PART NO	ITEM	PLATE
PIN - BRAKE PEDAL LINKAGE	1000205	20	S-0104
PIN - BRAKE PEDAL LINKAGE	1100218	17	
PIN - CLEVIS	S10788	7	S-0207
PIN - CLEVIS 1/2 X 1.188	S10807	11	S-0104
PIN - CLEVIS 1/2 X 1.188	S10807	25	
PIN - CLEVIS 1/4 X 1.601	S10721	28	S-0104
PIN - CLEVIS 3/16 X 0.601	S10704	21	S-0105
PIN - CLEVIS 3/8 X 3.016	S10784	13	A-0119; A-0120
PIN - CLEVIS 5/8 X 3.766	S10833	15	A-0119; A-0120
PIN - CLEVIS 5/8 X 3.766	S10833	23	S-0204
PIN - CLEVIS 5/8 X 4.516	S61976	17	S-0204
PIN - CONTROL LEVER PIVOT	1100214	3	S-0105
PIN - CROWD CYLINDER TO HEAD	S229800	37	O-1201; O-1202
PIN - HAIR	S120262	36	O-1201; O-1202
PIN - HAIR	S120261	8	S-0207
PIN - HOIST CYLINDER PIVOT	S237667	19	S-0204
PIN - HOIST PIVOT	S237389	22	S-0204
PIN - HORIZ OUTRIGGER CYL, OUTER	S117483	33	S-0305
PIN - HORIZ OUTRIGGER CYL, OUTER	S117483	33	S-0306
PIN - LYNCH	1001264	11	A-0119; A-0120
PIN - REAR STEER KNUCKLE PIVOT	S237335	28	S-0201
PIN - RETAINER	S95933	31	S-0201
PIN - ROPE GUIDE	1001342	71	O-1201; O-1202
PIN - ROPE GUIDE	S118867	35	
PIN - SHEAVE	1100235	3	A-0119; A-0120
PIN - SHEAVE	1100209	13	S-0207
PIN - SHEAVE, BOOM HEAD	1100215	39	O-1201; O-1202
PIN - SNAPPER	S98905	34	A-0119; A-0120
PIN - SNAPPER	S98905	38	O-1201; O-1202
PIN - VERT OUTRIGGER CYL, LOWER	1000110	32	S-0305
PIN - VERT OUTRIGGER CYL, LOWER	1000110	32	S-0306
PIN - VERT OUTRIGGER CYL, UPPER	S117482	31	S-0305
PIN - VERT OUTRIGGER CYL, UPPER	S117482	31	S-0306
PIN ASSEMBLY	1100243	10	A-0119; A-0120
PIN ASSEMBLY	1100242	9	
PIN, CLEVIS	S10739	24	S-0107
PIN, CLEVIS 1/2 X 2.391	S10813	29	A-0119; A-0120
PIN, COTTER	1500119	25	S-0107
PIPE - EXHAUST	1100268	6	O-0401

INDEX - ALPHABETIC ORDER BY PART DESCRIPTION

DESCRIPTION	PART NO	ITEM	PLATE
PIPE - EXHAUST	1100303	6	0-0402
PIPE - EXHAUST	1100304	3	
PIPE - EXHAUST-STNL STL	1100268SS	6	0-0401
PIPE, EXHAUST	1001587	14	0-0404
PLATE	1100066	2	0-0701
PLATE	1100231	39	0-0902
PLATE	1100112	2	S-0207
PLATE - DISC	S237790	20	S-0201
PLATE - FRONT ENGINE MOUNTING	1100018	22	0-0102; 0-0103
PLATE - IDENTIFICATION	1100029	25	0-1501
PLATE - IDENTIFICATION	1000421	25	0-1502
PLATE - MFG BY SHUTTLELIFT	1000422	44	0-1502
PLATE - MOUNTING	1100021	4	A-0101
PLATE - PATENT	1000420	11	S-0101
PLATE - SWIVEL (BEFORE W-1329)	S77456	30	S-0206
PLATE - TOOL BOX BOTTOM	1200123	34	S-0202
PLUG - DOME	1001305	6	
PLUG - DOME	1001305	39	S-0101
PLUG - SNAP	1001336	9	A-0111
POWER BRAKE MASTER CYLINDER	1300147	29	0-0903
PRIMER	1000140	32	0-1501; 0-1502
PUMP - HYDRAULIC	1100051	11	0-0101
PUMP - HYDRAULIC	1100230	11	0-0102; 0-0103
PURIFIER, DIESEL	1100041	12	0-0402
RADIATOR	1300009	1	0-0201; 0-0202
REAR HITCH, HEAVY DUTY	1001103	1	A-0109
RECEPTACLE - 8-PIN	S72217	2	S-0404
REEL - CABLE, LONG BOOM	1500287	16	S-0206
REGULATOR - FLOW	1100092	23	S-0205
RELIEF VALVE	1100328	26	0-0903
RETAINER - INNER	S94405	34	S-0201
RETAINER - OUTER	S94406	35	S-0201
RIM - FRONT	S515533M1	5	0-0801; A-0103
RIM - FRONT	1200032M1	5	0-0802; A-0104
RIM - REAR	S515534M1	5	S-0208; A-0102
RING - ECCENTRIC	1200038	19	S-0203
RING - LOCKING	1000401	8	0-0702
RING - RETAINING	S120260	35	S-0305
RING - RETAINING	B18208	34	
RING - RETAINING	B18208	34	S-0306
RING - RETAINING	S120260	35	
RING - SNAP	F11296	50	0-1201; 0-1202
RING-RETAINING	1000472	42	S-0201

INDEX - ALPHABETIC ORDER BY PART DESCRIPTION

DESCRIPTION	PART NO	ITEM	PLATE
ROD - FORMED	1100120	27	S-0202
ROD - PUSH	S107547	9	S-0104
ROD - THREADED PUSH	1000207D1	22	S-0104
ROD - THREADED PUSH	1000207D3	23	
ROD - TIE	S222478	7	S-0201
SCREW - SET 1/2 X 0.75 UNC	1001216	40	0-1201; 0-1202
SCREW - SHOULDER	1001289	50	A-0105
SEAL - FELT	S94404	19	S-0201
SEALANT - BUTYL 1/4"	1000039	2	S-0101
SEAT - ASSEMBLY CUSHION	1100101	1	0-1402
SEAT - ASSEMBLY STANDARD	1100123	1	0-1401
SENDING UNIT - FUEL	1200019	7	S-0205
SENDING UNIT - OIL PRESSURE	S108398	4	0-0601; 0-0602
SENDING UNIT - WATER TEMPERATURE	S108396	13	0-0601; 0-0602
SHEAVE ASSEMBLY	S200211	7	A-0119; A-0120
SHEAVE ASSEMBLY	S200211	45	0-1201; 0-1202
SHEAVE ASSEMBLY	S200211	20	S-0207
SHEET - HEATER PANEL	1200141	1	
SHEET - HEATER PANEL	1200139	1	A-0111
SHIM	S80870	13	S-0204
SHIM - 0.015" THICK	S115198	22	0-1201; 0-1202
SHIM - 0.015" THICK	S75554	26	
SHIM - 0.062" THICK	S115197	21	0-1201; 0-1202
SHIM - 0.062" THICK	S75553	25	
SHIM - BOOM 0.032" THICK	1000345C	30	0-1201; 0-1202
SHIM - BOOM 0.062" THICK	1000345B	29	0-1201; 0-1202
SHIM - BOOM 0.078" THICK	1000345A	28	0-1201; 0-1202
SHIM - CYLINDER HEAD MOUNTING	S237734	2	0-1201; 0-1202
SHIM 0.005	S115164	39	S-0201
SHIM 0.010	S115163	38	S-0201
SHIM 0.015	S115162	37	S-0201
SHIM 0.025	S115161	36	S-0201
SHOULDER BOLT	S64872	39	0-0102; 0-0103
SHROUD - ENGINE	1300062	4	S-0202
SHROUD - RADIATOR (DIESEL)	1100079	22	0-0201
SHROUD - RADIATOR (GAS)	1100078	22	0-0202
SIDE PLATE - BLOCK	1200132	1	S-0207
SLIDE - LOWER FRONT	S242033	33	0-1201; 0-1202

INDEX - ALPHABETIC ORDER BY PART DESCRIPTION

DESCRIPTION	PART NO	ITEM	PLATE
SOCKET - VERTICAL (STEER CYLINDERS)	1100063	13	0-0702
SOCKET - VERTICAL (STEER CYLINDERS)	1100063	33	S-0201
SOCKET - VERTICAL (TIE ROD)	S27555	24	S-0201
SOUND SKIRT - FRONT	1000191	1	A-0112
SOUND SKIRT - REAR	1000192	2	A-0112
SPACER	1001333	36	A-0119; A-0120
SPACER	1001605	33	0-0102; 0-0103
SPACER	S94407	29	S-0201
SPACER	1000381	23	S-0203
SPACER	1000186B	21	S-0204
SPACER	1000391	9	S-0207
SPACER	1000098	5	S-0404
SPACER - BEARING	S106140	53	0-1201; 0-1202
SPACER - BEARING	S108009	51	
SPACER 1/2	1000097	21	A-0105
SPACER TUBE	1000098	22	A-0105
SPRING	1001606	34	0-0102; 0-0103
SPRING	S202938	16	S-0104
SPRING -MED./HEAVY	1001309	23	A-0119; A-0120
SPRING BRACKET	1001607	35	0-0102; 0-0103
STOP - SWIVEL	S235081	12	S-0203
STRAP - GROUND	S48790	14	0-0601; 0-0602
STRAP - TANK MOUNTING	S115708	11	S-0205
STRIP - TERMINAL, 20	1001229	8	S-0404
STUD - 3/4 NF	S105655	16	S-0201
STUD - BRAKE CALIPER MOUNTING	S229886	32	S-0201
SWING BRACKET	1200163	25	A-0119; A-0120
SWITCH	1001298	13	A-0105
SWITCH	S16866	5	A-0118
SWITCH	S117471	3	S-0402
SWITCH - OIL PRESSURE	S63884	6	0-0601; 0-0602
SWITCH - TURN SIGNAL	S515141	19	S-0106
SWIVEL - 7 PORT HYDRAULIC	1300109	9	S-0203
TAB	1001601	29	0-0102; 0-0103
TAIL PIPE	1001295	10	0-0403
TAILPIPE	1001295	4	0-0401
TAILPIPE	1001295	4	0-0402
TAILPIPE-STNL STL	1001295SS	4	0-0401
TANK - FUEL	S510922	6	S-0205
TANK - HYD (STANDARD)	1200066	1	S-0302
TANK - HYD (W/ LP TANK MTG)	1200079	1	S-0302

INDEX - ALPHABETIC ORDER BY PART DESCRIPTION

DESCRIPTION	PART NO	ITEM	PLATE
TEE	S60421	11	S-0309
TEE - 3/8-24	A12451	21	0-1001
TEE - 3/8-24	A12451	21	0-1002
TERMINAL - RECEPTACLE	S117295	13	S-0206
TERMINAL - RING	S78706	18	S-0401
TERMINAL - TAB	S117294	12	S-0206
TERMINAL - TAB	S117294	17	S-0401
TERMINAL RECEPTICAL	S117295	31	A-0119;
			A-0120
TERMINAL TAB	S117294	30	A-0119;
			A-0120
THERMOSTAT - COLD STSRT	1000063	3	A-0101
THREADED ROD	1001604	32	0-0102;
			0-0103
THROTTLE BRACKET	1001603	31	0-0102;
			0-0103
TIE - NYLON	1000104B	11	A-0101
TIE - NYLON	1000104B	7	A-0113
TIE - NYLON	1000104B	18	S-0105
TIE - NYLON	1000104B	44	S-0206
TIE - NYLON	1000104B	4	S-0307
TIRE - 10.00 X 15 - 12PLY (PURCH. LOCALLY)	S27630	2	S-0208;
			0-0801;
			0-0802;
			A-0102;
			A-0103;
			A-0104
TORQUE CONVERTER	1001300	7	0-0101;
			0-0102;
			0-0103
TRANSMISSION ASSEMBLY	1300092	6	0-0101;
			0-0102;
			0-0103
TRANSMISSION TROUBLE SHOOTING MAN.	1001358	44	0-1501
TRANSMISSION TROUBLE SHOOTING MAN.	1001358	46	0-1502
TRIP BAR - TWO BLOCK	1200159	6	A-0119;
			A-0120
TUBE - 1/4" X 98"	1001586	22	A-0120
TUBE - 10.00 X 15 (PURCH. LOCALLY)	S48962	4	S-0208;
			0-0801;
			0-0802;
			A-0102;
			A-0103;
			A-0104
TUBE - SWITCH ACTIVATOR	1100225	2	S-0206
TUBE ASSEMBLY	1600048	13	0-0901;
			0-0902;
			0-0903
TUBE ASSEMBLY	1600044	8	
TUBE ASSEMBLY	1600043	12	
TUBE ASSEMBLY	1600049	33	0-0902

INDEX - ALPHABETIC ORDER BY PART DESCRIPTION

DESCRIPTION	PART NO	ITEM	PLATE
TUBE ASSEMBLY	1600049	31	0-0903
TUBE ASSEMBLY	1600060	10	S-0302
TUBE ASSEMBLY	1600061	9	
TUBE ASSEMBLY	1600058	6	S-0303
TUBE ASSEMBLY	1600032	7	
TUBE ASSEMBLY	1600031	8	
TUBE ASSEMBLY	1600028	4	
TUBE ASSEMBLY	1600059	5	
TUBE ASSEMBLY	1600050	50	
TUBE ASSEMBLY	1600051	51	
TUBE ASSEMBLY	1600054	54	
TUBE ASSEMBLY	1600055	55	
TUBE ASSEMBLY	1600056	56	
TUBE ASSEMBLY	1600052	52	
TUBE ASSEMBLY	S239257	12	
TUBE ASSEMBLY	1600053	53	
TUBE ASSEMBLY	1600057	57	
TUBE ASSEMBLY	1600021	11	
TUBE ASSEMBLY	S240347	15	S-0304
TUBE ASSEMBLY	1600046	23	
TUBE ASSEMBLY	S240346	14	
TUBE ASSEMBLY	S239846	13	
TUBE ASSEMBLY	S239845	12	
TUBE ASSEMBLY	1600008	9	
TUBE ASSEMBLY	1600006	7	
TUBE ASSEMBLY	1600002	3	
TUBE ASSEMBLY	1600005	6	
TUBE ASSEMBLY	1600004	5	
TUBE ASSEMBLY	1600003	4	
TUBE ASSEMBLY	1600007	8	
TUBE ASSEMBLY	1600001	2	
TUBE ASSEMBLY	1600009	8	S-0305
TUBE ASSEMBLY	1600012	9	
TUBE ASSEMBLY	1600010	7	
TUBE ASSEMBLY	1600013	16	
TUBE ASSEMBLY	1600011	10	
TUBE ASSEMBLY	1600000	8	S-0306
TUBE ASSEMBLY	1600017	10	
TUBE ASSEMBLY	1600016	9	
TUBE ASSEMBLY	1600019	7	
TUBE ASSEMBLY	1600018	16	
TUBE ASSEMBLY	S239844	9	S-0309
TUBE ASSEMBLY (BRAKE LINE)	S515210	11	0-1001
TUBE ASSEMBLY (BRAKE LINE)	1600033	20	0-1001; 0-1002
TUBE ASSEMBLY (BRAKE LINE)	S515211	12	
TUBE ASSEMBLY (BRAKE LINE)	1600034	24	0-1002
TUBE ASSEMBLY (BRAKE LINE)	1600038	25	
TUBE ASSEMBLY (DIESEL)	1600042	7	S-0310
TUBE ASSEMBLY (DIESEL)	1600041	6	
TUBE ASSEMBLY (GAS)	1600065	7	S-0310

INDEX - ALPHABETIC ORDER BY PART DESCRIPTION

DESCRIPTION	PART NO	ITEM	PLATE
TUBE ASSEMBLY (GAS)	1600064	6	S-0310
TUBE BLOCK	1000425	58	S-0303
TUBE CLAMP	A38799	28	A-0119; A-0120
U-BOLT ASSEMBLY (PAIR)	S80602	7	0-0701
UNIT CHECK INSPECTION SHEET 3330E	1001341	29	0-1501; 0-1502
VALVE	S89777	21	A-0111
VALVE - 1 SPOOL CONTROL	1100099	20	S-0205
VALVE - 3 SPOOL CONTROL	1100098	21	S-0205
VALVE - CARTRIDGE	1001093	15	S-0303
VALVE - COUNTERBALANCE	S107689	33	S-0303
VALVE - COUNTERBALANCE	1100287	35	
VALVE - DRAIN	S49610	2	0-0201; 0-0202
VALVE - OUTRIGGER SOLENOID	S240090	15	S-0205
VALVE - SHUTTLE	1100091	34	S-0303
VALVE - SOLENOID	1100054	1	A-0116
VALVE - SOLENOID	1100096	26	0-0902
VALVE - SOLENOID	1100097	27	
VALVE - SOLENOID	1100054	18	S-0205
WASHER	1001563	51	A-0105
WASHER	S95569	13	S-0302
WASHER - BOWED STEEL	S77457	27	S-0206
WASHER - BRONZE	S101225	4	S-0207
WASHER - FLAT 1/2 HARDENED	S95569	16	S-0202
WASHER - GASKET	S114812	27	0-1002
WASHER - LOCK 1/2 (STAR TOOTH)	1000988K	16	S-0401
WASHER - LOCK 3/8" (STAR TOOTH)	1000988I	32	S-0205
WASHER - LOCK 5/16" (STAR TOOTH)	1000988H	31	S-0205
WASHER - LOCK 5/16" (STAR TOOTH)	1000988H	33	
WASHER - LOCK 5/16" (STAR TOOTH)	1000988H	29	S-0403
WASHER - NYLATRON SPACER	S109722	8	A-0119; A-0120
WASHER - NYLATRON SPACER	S109722	46	0-1201; 0-1202
WASHER - NYLATRON SPACER	S109722	21	S-0207
WASHER - THRUST	S118664	3	S-0201
WASHER-THRUST	1000497	43	S-0201
WEDGE	S87633	26	S-0207
WEDGE & SOCKET ASSEMBLY	S29805	24	S-0207
WEIGHT - TWO BLOCK	1001077	12	A-0119; A-0120
WHEEL - STEERING	A65544	4	S-0106
WINCH - RECESSED ELECTRIC	1000343	1	A-0114
WIRE - #14 STRANDED (BLACK)	1000084	7	A-0118
WIRE - 14 GA X 8.0 FT	1000086	12	A-0113
WIRE - GROUND #10 X 14.0	S209510	39	S-0206
WIRE - GROUND JUMPER	S206566	21	S-0401
WIRE ASSEMBLY	1000772	6	A-0116
WIRE ASSEMBLY	S209510	10	

INDEX - ALPHABETIC ORDER BY PART DESCRIPTION

DESCRIPTION	PART NO	ITEM	PLATE
WIRE ASSEMBLY	S240400	37	S-0206
WIRE ASSEMBLY	1000772	45	
WIRE ASSEMBLY	1100126	23	
WIRE ASSEMBLY	1100125	31	
WIRE ASSEMBLY - LOWER SWIVEL	1000415	42	S-0206
WIRE ASSEMBLY - VALVE GROUND	1000416	21	O-0702
WIRE ROPE - 7/16 X 150 (STD BOOM)	1000037	25	S-0207
WIRE ROPE - 7/16 X 204 FT (LONG BOOM)	1000037	25	S-0207
YOKE	S71146	10	S-0104
YOKE	S71146	24	
YOKE	S85426	23	S-0107
YOKE ASSEMBLY	1000365	17	S-0105

NUMERICAL INDEX BY PART NUMBER

PART NO	IT	PLATE	PART NO	IT	PLATE
S609092	18	0-1201; 0-1202	S94405	34	S-0201
S614121	65	0-1202	S94406	35	S-0201
S61610	4	S-0204	S94407	29	S-0201
S61627	7	0-1201; 0-1202	S94408	18	S-0201
S61976	17	S-0204	S94414	12	S-0201
S62144	14	S-0401	S95569	13	S-0302
S63550	5	S-0106		16	S-0202
S63884	6	0-0601; 0-0602	S95933	31	S-0201
S64872	39	0-0102; 0-0103	S97489	19	0-0901; 0-0902; 0-0903
S64984	8	0-1201; 0-1202	S97491	21	S-0310
S71146	10	S-0104		26	S-0303
S72217	24	S-0104	S97545	13	S-0105
S73647	2	S-0404	S98324	11	S-0302
S75553	14	S-0309	S98905	34	A-0119; A-0120
S75554	24	S-0304		38	0-1201; 0-1202
	25	0-1201; 0-1202	S99401	12	S-0310
	26	0-1201; 0-1202	S99402	10	S-0310
S77456	30	S-0206	S99801	25	S-0206
S77457	27	S-0206			
S77479	5	S-0206			
S78706	18	S-0401			
S79350	10	A-0113			
S80602	7	0-0701			
S80870	13	S-0204			
S82976	2	A-0119; A-0120			
	3	S-0206			
S83619	22	S-0305			
	22	S-0306			
S85426	23	S-0107			
S85429	6	S-0302			
S8577	8	S-0308			
	9	S-0303			
S8577HP	8	S-0308			
	9	S-0303			
S8578	13	S-0308			
	2	A-0116			
S8578HP	13	S-0308			
S87633	26	S-0207			
S89777	21	A-0111			
S89871	8	0-1501			
S91602	22	S-0310			
	27	S-0303			
S94404	19	S-0201			

PART NO	IT	PLATE	PART NO	IT	PLATE	PART NO	IT	PLATE
S120258	29	S-0206	S237647	62	O-1202			A-0114
S120260	35	S-0305	S237667	19	S-0204	S4044	5	S-0302
	35	S-0306	S237734	2	O-1201;	S406231	40	O-1501;
S120261	8	S-0207			O-1202			O-1502
S120262	36	O-1201;	S237790	20	S-0201	S48790	14	O-0601;
		O-1202	S238796	20	A-0105			O-0602
S16866	5	A-0118	S239071	9	S-0202	S48962	4	S-0208;
S200211	20	S-0207	S239073	8	S-0202			O-0801;
	7	A-0119;	S239135	35	S-0206			O-0802;
		A-0120		3	A-0118			A-0102;
	45	O-1201;	S239216	6	A-0102;			A-0103;
		O-1202			A-0104	S48964	3	A-0104
S200775M1	15	S-0105			A-0104			S-0208;
S201620	14	O-0102;	S239257	12	S-0303			O-0801;
		O-0103	S239541	26	S-0306			O-0802;
S202938	16	S-0104		26	S-0305			A-0102;
S203189	10	S-0401	S239844	9	S-0309			A-0103;
S206566	21	S-0401	S239845	12	S-0304	S49218	15	A-0104
S206607	16	S-0310	S239846	13	S-0304		27	S-0104
S206608	17	S-0310	S240090	15	S-0205	S49603	1	O-1001;
S208459	24	S-0206	S240346	14	S-0304			O-1002
S209510	39	S-0206	S240347	15	S-0304	S49610	2	O-0201;
	10	A-0116	S240385	22	S-0401			O-0202
S222478	7	S-0201	S240400	37	S-0206	S49658	18	S-0107
S227285	2	S-0205	S242033	33	O-1201;		5	S-0107
S229800	37	O-1201;			O-1202	S49675	12	S-0101
		O-1202	S242322	17	S-0206	S49944	28	S-0403
S229806	66	O-1202	S242884	22	O-1001	S506609	1	O-1501;
S229807	31	O-1201;	S242975	14	O-1001			O-1502
		O-1202	S26639	1	S-0107	S510167	3	O-1201;
S229808	52	O-1201;	S27479	2	O-0102;			O-1202
		O-1202			O-0103	S510922	6	S-0205
S229845	62	O-1201	S27555	24	S-0201	S513237	2	O-1501;
S229886	32	S-0201	S27630	2	S-0208;			O-1502
S230935	4	S-0107			O-0801;	S513238	3	O-1501;
S232587	6	S-0106			O-0802;			O-1502
S233617	9	O-1201;			A-0102;	S513724	41	S-0206
		O-1202			A-0103;	S514629	14	S-0202
S233687	4	A-0108			A-0104	S514653	13	S-0104
S235081	12	S-0203	S28822	9	S-0403	S515141	15	S-0403
S236044	1	A-0115	S29805	24	S-0207		19	S-0106
S236142	18	S-0101	S31861	8	S-0401	S515210	11	O-1001
S237155	4	S-0305	S31862	7	S-0401	S515211	12	O-1001;
	4	S-0306	S32158	3	A-0107;			O-1002
S237326	9	S-0106			A-0108	S515533M1	5	O-0801;
S237332	16	S-0105	S400834	4	S-0302			A-0103
S237335	28	S-0201	S400835	9	S-0310	S515534M1	5	S-0208;
S237388	16	S-0204	S400835HP	9	S-0310			A-0102
S237389	22	S-0204	S402776	17	O-0601;	S60421	11	S-0309
S237536	2	O-1401;			O-0602	S608516	15	S-0201
		O-1402			A-0101;			

PART NO	IT	PLATE	PART NO	IT	PLATE	PART NO	IT	PLATE
1600060	10	S-0302	R14668	10	A-0111			O-1202
1600061	9	S-0302	R47940	28	S-0202	S113843	16	O-1201;
1600064	6	S-0310	S100797	22	S-0207			O-1202
1600065	7	S-0310	S100895	12	A-0101;	S114810	29	O-1002
49851	17	O-1002			A-0114	S114811	28	O-1002
	17	O-1001		8	O-0601;	S114812	27	O-1002
71421	10	S-0403			O-0602	S114813	26	O-1002
A10329	36	O-0102;	S101225	4	S-0207	S115055	16	A-0105
		O-0103	S105655	16	S-0201	S115077	63	O-1202
A12451	21	O-1001	S106140	53	O-1201;	S115149	26	S-0201
	21	O-1002			O-1202	S115161	36	S-0201
A12522	14	S-0201	S106375	36	S-0206	S115162	37	S-0201
A135428	15	O-0404		4	A-0118	S115163	38	S-0201
A13845	6	S-0204	S10704	21	S-0105	S115164	39	S-0201
A15669	2	O-0101	S10721	28	S-0104	S115197	21	O-1201;
A18870	30	S-0205	S10739	24	S-0107			O-1202
A23133	4	S-0201	S107547	9	S-0104	S115198	22	O-1201;
A26533	13	S-0201	S107557	7	S-0104			O-1202
A26678	17	S-0201	S107689	33	S-0303	S115708	11	S-0205
A27077	6	O-0403;	S10784	13	A-0119;	S117294	30	A-0119;
		O-0404			A-0120			A-0120
	11	O-0402	S10788	7	S-0207		17	S-0401
	11	O-0401	S108009	51	O-1201;		12	S-0206
A38799	28	A-0119;			O-1202	S117295	31	A-0119;
		A-0120	S108010	63	O-1201			A-0120
	4	S-0206	S10807	11	S-0104		13	S-0206
	13	O-1001;		25	S-0104	S117470	15	S-0202
		O-1002	S10813	29	A-0119;	S117471	13	S-0403
A62209	43	S-0206			A-0120		5	A-0114
A65544	4	S-0106	S10833	23	S-0204		3	S-0402
B18208	34	S-0305		15	A-0119;	S117482	31	S-0306
	34	S-0306			A-0120		31	S-0305
B50213	18	S-0403	S108396	13	O-0601;	S117483	33	S-0305
D121972	4	S-0401			O-0602		33	S-0306
D25826	18	O-0201;	S108398	4	O-0601;	S118664	3	S-0201
		O-0202			O-0602	S118863	10	O-1501;
D49256	6	O-1002	S108413	16	S-0403			O-1502
	6	O-1001	S109722	8	A-0119;	S118867	35	O-1201;
D52276	8	O-0201;			A-0120			O-1202
		O-0202		21	S-0207	S119032	7	O-0402
F11296	50	O-1201;		46	O-1201;		7	O-0401
		O-1202			O-1202		9	O-0403;
F22316	11	O-0601	S110729	10	O-1201;			O-0404
F42721	4	A-0105			O-1202	S119695	32	A-0119;
F9197	14	S-0104	S11226	13	S-0305			A-0120
L114161	1	S-0106		13	S-0306		10	A-0101
L33715	2	S-0106	S11229	15	S-0309		14	S-0206
L60175	3	S-0106		1	S-0307	S120027	8	A-0111
L79756	4	O-0302	S11230	15	S-0305	S120186	3	S-0309
R14668	3	O-0601;		15	S-0306	S120212	5	S-0309
		O-0602	S113842	13	O-1201;	S120258	15	S-0206

PART NO	IT	PLATE	PART NO	IT	PLATE	PART NO	IT	PLATE
1200127	6	O-0701	1300065	1	S-0205	1500287	16	S-0206
1200129	4	O-1501	1300070	11	A-0105	1600000	8	S-0306
1200130	4	O-1501	1300079	18	O-1201;	1600001	2	S-0304
1200132	1	S-0207			O-1202	1600002	3	S-0304
1200136	8	S-0206	1300080	65	O-1202	1600003	4	S-0304
1200137	24	S-0202	1300083	25	S-0303	1600004	5	S-0304
1200139	1	A-0111	1300090	15	O-0102;	1600005	6	S-0304
1200141	23	S-0101			O-0103	1600006	7	S-0304
	1		1300091	15	O-0101	1600007	8	S-0304
1200142	20	A-0119;	1300092	6	O-0101;	1600008	9	S-0304
		A-0120			O-0102;	1600009	8	S-0305
1200143	20	O-1501;			O-0103	1600010	7	S-0305
		O-1502	1300093	12	S-0202	1600011	10	S-0305
1200144	23	O-1501;	1300095	6	S-0202	1600012	9	S-0305
		O-1502	1300104	34	S-0101	1600013	16	S-0305
1200147	48	A-0105	1300105	6	S-0101	1600016	9	S-0306
1200149	19	O-1501;	1300107	17	O-1501;	1600017	10	S-0306
		O-1502			O-1502	1600018	16	S-0306
1200150	19	O-1501;	1300108	5	S-0101	1600019	7	S-0306
		O-1502	1300109	9	S-0203	1600021	11	S-0303
1200151	21	O-1501;	1300110	1	S-0104	1600028	4	S-0303
		O-1502	1300111	61	O-1201	1600031	8	S-0303
1200152	21	O-1501;	1300112	61	O-1201	1600032	7	S-0303
		O-1502	1300113	61	O-1202	1600033	20	O-1001;
1200153	2	A-0117	1300114	61	O-1202			O-1002
1200157	33	A-0120	1300116	1	A-0119	1600034	24	O-1002
1200159	6	A-0119;	1300117	1	A-0120	1600038	25	O-1002
		A-0120	1300124	1	O-1201;	1600041	6	S-0310
1200160	4	A-0114			O-1202	1600042	7	S-0310
1200161	40	A-0119;	1300125	1	O-1201;	1600043	12	O-0901;
		A-0120			O-1202			O-0902;
1200162	24	A-0119;	1300126	1	S-0403			O-0903
		A-0120	1300127	1	S-0401	1600044	8	O-0901;
1200163	25	A-0119;	1300128	1	O-0601			O-0902;
		A-0120	1300129	1	O-0602			O-0903
1200164	33	A-0119	1300130	1	S-0404	1600046	23	S-0304
1200165	2	S-0201	1300131	27	O-1201;	1600048	13	O-0901;
	9	O-0702			O-1202			O-0902;
1200166	11	S-0305;	1300132	27	O-1201;			O-0903
		S-0306			O-1202	1600049	33	O-0902
1200174	4	O-0702;	1300133	2	S-0402		31	O-0903
		O-0703	1300134	1	S-0305;	1600050	50	S-0303
1300002	1	O-0701			S-0306	1600051	51	S-0303
1300009	1	O-0201;	1300135	25	S-0202	1600052	52	S-0303
		O-0202	1300136	26	S-0202	1600053	53	S-0303
1300024	1	O-0702	1300138	24	S-0303	1600054	54	S-0303
1300027	27	S-0201	1300141	1	O-0703	1600055	55	S-0303
1300044	1	S-0203	1300143	25	S-0303	1600056	56	S-0303
1300059	3	S-0204	1300147	29	O-0903	1600057	57	S-0303
1300062	4	S-0202	1500119	25	S-0107	1600058	6	S-0303
1300063	5	S-0202	1500217	16	S-0206	1600059	5	S-0303

PART NO	IT	PLATE	PART NO	IT	PLATE	PART NO	IT	PLATE
1100029	25	0-1501			0-0103	1100268SS	6	0-0401
1100030	13	0-1501	1100189	12	S-0106	1100269	7	0-0403;
1100035	5	A-0113	1100202	38	A-0105			0-0404
1100041	12	0-0402	1100206	41	0-1501;		5	0-0402
1100045	27	0-0202			0-1502		5	0-0401
1100046	27	0-0201	1100207	1	S-0102	1100269SS	5	0-0401
1100051	11	0-0101	1100209	13	S-0207	1100270	3	0-0401
1100054	18	S-0205	1100212	7	S-0105	1100271	4	S-0404
	1	A-0116	1100213	6	S-0105	1100272	1	0-0101
1100062	4	S-0203	1100214	3	S-0105	1100273	70	0-1202
1100063	13	0-0702	1100215	39	0-1201;	1100274	6	0-1501;
	33	S-0201			0-1202			0-1502
1100066	2	0-0701	1100218	17	S-0104	1100285	7	A-0105
1100075	21	S-0104	1100219	42	0-1501;	1100286	54	A-0105
1100078	22	0-0202			0-1502	1100287	35	S-0303
1100079	22	0-0201	1100225	2	S-0206	1100300	1	0-0102
1100087	12	0-0702	1100228	1	S-0206	1100301	1	0-0103
1100091	34	S-0303	1100230	11	0-0102;	1100303	6	0-0402
1100092	23	S-0205			0-0103	1100304	3	0-0402
1100096	26	0-0902	1100231	39	0-0902	1100305	4	0-0403;
1100097	27	0-0902	1100235	3	A-0119;			0-0404
1100098	21	S-0205			A-0120	1100306	5	0-0403;
1100099	20	S-0205	1100238	16	S-0107			0-0404
1100101	1	0-1402	1100242	9	A-0119;	1100328	26	0-0903
1100102	2	A-0105			A-0120	1200007	14	0-1501
1100103	6	A-0105	1100243	10	A-0119;	1200010	12	0-1501
1100108	38	S-0206			A-0120	1200013	36	0-1501
1100109	14	0-1002	1100244	29	0-0101	1200019	7	S-0205
1100110	3	S-0207	1100252	13	S-0106	1200031	15	S-0203
1100112	2	S-0207	1100254	16	0-1501;	1200032M1	5	0-0802;
1100113	1	S-0101			0-1502			A-0104
1100114	16	S-0304	1100255	43	0-1501;	1200037	1	S-0201
1100116	14	0-1502			0-1502	1200038	19	S-0203
1100117	4	0-1502	1100256	22	0-1501;	1200039	7	S-0203
1100118	5	0-1502			0-1502	1200058	17	0-0702
1100120	27	S-0202	1100257	24	0-1501;	1200059	18	0-0702
1100123	1	0-1401			0-1502	1200060	9	S-0107
1100125	31	S-0206	1100258	33	0-1501;	1200066	1	S-0302
1100126	23	S-0206			0-1502	1200067	1	S-0402
1100179	10	0-1101;	1100259	27	0-1501;	1200073	15	0-0201;
		0-1102;			0-1502			0-0202
		0-1103;	1100260	38	S-0101	1200074	14	0-0201;
		0-1104	1100262	26	0-1501;			0-0202
	3	0-1102;			0-1502	1200075	32	0-0201
		0-1104	1100263	37	0-1501;	1200079	1	S-0302
	11	0-1101;			0-1502	1200084	1	A-0117
		0-1102;	1100264	28	0-1501;	1200114	5	S-0204
		0-1103;			0-1502	1200116	11	S-0204
		0-1104	1100267	18	0-1501;	1200118	33	S-0202
1100181	3	0-0101;			0-1502	1200119	32	S-0202
		0-0102;	1100268	6	0-0401	1200123	34	S-0202

PART NO	IT	PLATE	PART NO	IT	PLATE	PART NO	IT	PLATE
1000497	43	S-0201	1001227	18	S-0404			
1000772	45	S-0206	1001228	9	S-0404	1001342	71	0-1502
	6	A-0116	1001229	8	S-0404			0-1201;
1000773	27	S-0207	1001231	24	S-0404	1001347	15	0-1202
1000782	2	S-0403	1001233	5	S-0102	1001348	16	A-0111
1000784	4	S-0403	1001234	23	S-0404	1001350	39	A-0111
1000785	5	S-0403	1001249	5	0-1101;	1001351	39	0-1501
1000786	6	S-0403			0-1102;	1001351	39	0-1502
1000787	7	S-0403			0-1103;	1001354	30	0-305;
1000817	9	0-1101;			0-1104;			S-0306
		0-1102;	1001264	11	0-1104	1001358	44	0-1501
		0-1103;			A-0119;		46	0-1502
		0-1104	1001276	6	A-0120	1001359	14	S-0308
1000981	9	0-0301	1001289	50	A-0111	1001562	26	0-0102;
1000988H	33	S-0205	1001290	49	A-0105			0-0103
	31	S-0205	1001292	9	0-0601;	1001563	51	A-0105
	29	S-0403			0-0602	1001586	22	A-0120
1000988I	32	S-0205	1001293	7	0-0601;	1001587	14	0-0404
1000988K	16	S-0401			0-0602	1001601	29	0-0102;
1000989	8	0-0403	1001294	13	0-0602			0-0103
	8	0-0404			A-0101;	1001602	30	0-0102;
1000996	14	S-0403	1001295	4	A-0114			0-0103
1000997	33	S-0403			0-0401	1001603	31	0-0102;
1001057	1	A-0118			0-0403			0-0103
1001077	12	A-0119;	1001295SS	4	0-0402	1001604	32	0-0102;
		A-0120	1001298	13	0-0401			0-0103
1001093	15	S-0303	1001299	18	A-0105	1001605	33	0-0102;
1001099	18	0-0601;	1001300	7	S-0106			0-0103
		0-0602;			0-0101;	1001606	34	0-0102;
		A-0101;	1001301	8	0-0102;			0-0103
		A-0114			0-0103	1001607	35	0-0102;
1001103	1	A-0109			0-0101;			0-0103
1001122	10	A-0118			0-0102;	1001619	29	0-0202
1001123	2	A-0118	1001302	9	0-0103	1001627	30	S-0206
1001127	10	0-0301			0-0101;	1001674	36	S-0101
1001128	10	0-0302			0-0102;	1001685	2	S-0301
1001129	30	S-0403	1001303	10	0-0103	1001693	25	0-0903
1001130	31	S-0403			0-0101;	1001705	1	A-0106
1001131	32	S-0403			0-0102;	1001711	25	S-0203
1001185	13	A-0111	1001305	39	0-0103	1001712	39	A-0119;
1001188	13	S-0404			S-0101			A-0120
1001189	19	S-0403	1001309	23	A-0119;		30	S-0201
1001190	2	S-0102			A-0120		17	0-1201;
1001191	3	S-0102			0-1002			0-1202
1001192	4	S-0102	1001324	31	A-0105		32	S-0303
1001193	61	A-0105	1001330	55	A-0105		28	S-0207
1001198	5	A-0105	1001333	36	A-0119;	1001713	41	S-0201
1001208	15	A-0101			A-0120	1100018	22	0-0102;
1001216	40	0-1201;	1001334	38	0-1501			0-0103
		0-1202	1001335	38	0-1502	1100021	4	A-0101
1001221	1	S-0301	1001336	9	A-0111	1100022	10	S-0309
			1001341	29	0-1501;	1100025	8	S-0201

PART NO	IT	PLATE	PART NO	IT	PLATE	PART NO	IT	PLATE
1000001	17	S-0101	1000139	3	O-0302	1000392	17	S-0207
1000002	23	S-0202	1000140	32	O-1501;	1000396	10	S-0303
	19	O-0101;	1000143	25	O-1502		7	S-0308
		O-0102;	1000179	2	O-0202	1000396HP	7	S-0308
		O-0103		2	O-0402		62	S-0303
1000022	14	O-0402	1000180	3	O-0401	1000397	25	O-0902
1000029	1	A-0101		2	O-0403;	1000398	10	O-0901;
1000030	2	A-0101		2	O-0404			O-0902;
1000031	5	S-0105	1000181	23	O-0201		24	O-0901;
1000036	4	S-0101	1000182	23	O-0202			O-0903
1000037	25	S-0207	1000186B	21	S-0204	1000400	61	O-0103
	25	S-0207	1000190	46	S-0206		41	O-0102
1000039	2	S-0101	1000191	1	A-0116	1000401	8	O-0702
1000041	7	O-1501;	1000192	2	A-0112	1000403	8	O-1101;
		O-1502	1000193	6	A-0112			O-1102;
1000051	1	A-0113	1000205	20	S-0104			O-1103;
1000052	25	O-0201	1000207D1	22	S-0104	1000404	4	O-1104
1000059	30	O-0101	1000207D3	23	S-0104	1000404HP	4	S-0310
1000060	31	O-0101	1000209	5	S-0203	1000405	22	S-0105
1000063	3	A-0101	1000331	3	S-0302		15	O-0601;
1000068	55	O-0103	1000332	8	S-0302			O-0602
1000076	22	A-0119	1000333	7	S-0302	1000406	28	O-0903
	22	S-0206	1000340	3	A-0105		24	O-0902
1000078	6	S-0401	1000343	1	A-0114		3	O-0901;
	6	A-0118	1000344	2	A-0114			O-0902;
1000079	6	S-0308	1000345A	28	O-1201;			O-0903
1000084	7	A-0118			O-1202		35	O-0902
1000086	12	A-0113	1000345B	29	O-1201;	1000407	6	O-0901;
1000093	30	O-1501			O-1202			O-0902;
1000094	31	O-1501	1000345C	30	O-1201;			O-0903
1000097	21	A-0105			O-1202		41	O-0902
1000098	5	S-0404	1000346	20	S-0105	1000409	14	O-0901;
	22	A-0105	1000351	23	S-0207			O-0902;
1000102	17	S-0305	1000353	7	O-1002			O-0903
	17	S-0306	1000354	23	O-1002	1000411	3	O-0702;
1000103	8	A-0113	1000361	8	S-0309			O-0703
1000104B	4	S-0307	1000365	17	S-0105	1000414	31	O-1502
	18	S-0105	1000366	8	S-0403	1000415	42	S-0206
	44	S-0206		16	O-0702	1000416	21	O-0702
	11	A-0101	1000371	7	A-0111	1000418	46	S-0303
	7	A-0113	1000372	22	O-0702	1000419	38	S-0303
1000105B	13	A-0113	1000373	20	S-0204	1000420	11	S-0101
1000106	21	O-0201	1000374	1	S-0204	1000421	25	O-1502
1000110	32	S-0305	1000376	13	S-0107	1000422	44	O-1502
	32	S-0306	1000377	15	O-0702	1000424	11	A-0114
1000114	21	O-0202	1000381	26	S-0101	1000425	58	S-0303
1000124	30	O-1502	1000384	23	S-0203	1000426	12	S-0302
1000138	2	O-0301	1000391	22	S-0404	1000427	3	A-0114
				9	S-0207	1000472	42	S-0201