

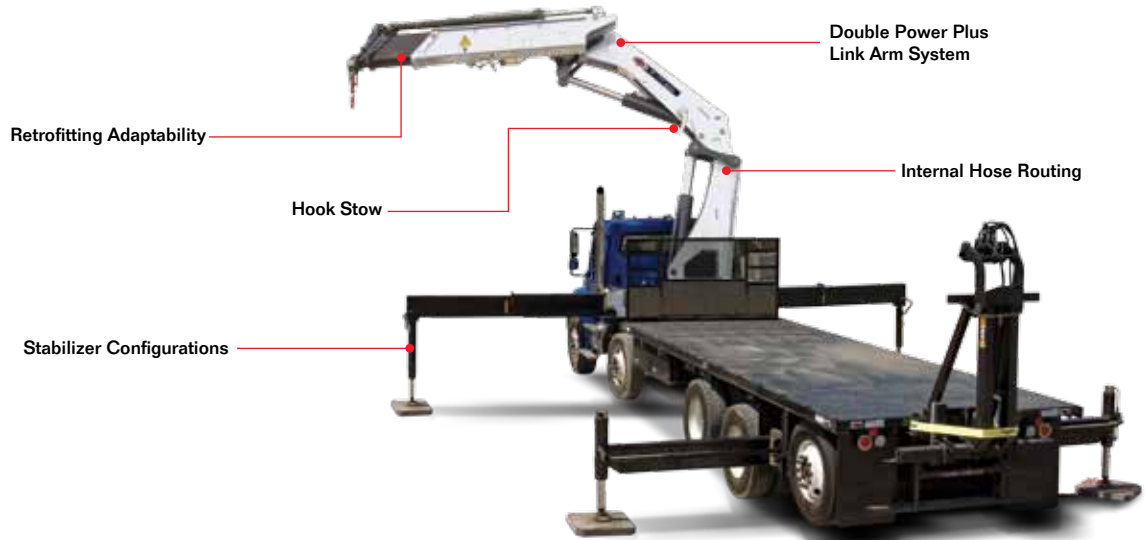
# 40/275

Articulating Crane



## ► 40/275 Articulating Crane

Let IMT® do the heavy lifting for you. Offering an exceptional lift-to-weight ratio, our 40/275 articulating cranes have a max lifting capacity of 19,025 lb (8630 kg) and maximum horizontal boom reach of nearly 70 ft (21.3 m). These cranes provide the power, durability, and versatility you need to complete a wide variety of projects in even the most challenging job sites. Plus, performance-driven features like radio remote control help make your operation more efficient.



### 40/275 Specifications

	2 - Hydraulic	3 - Hydraulic	4 - Hydraulic	5 - Hydraulic
<b>Crane Rating*</b>	274,855 ft-lb (38 tm)	267,620 ft-lb (37 tm)	259,665 ft-lb (35.9 tm)	252,430 ft-lb (34.9 tm)
<b>Max Horizontal Reach</b>	26' 3" (8 m)	33' 2" (10.1 m)	40' (12.2 m)	47' 3" (14.4 m)
<b>Max Vertical Reach</b>	35' 4" (10.8 m)	42' 3" (12.9 m)	49' (15 m)	56' 3" (17.1 m)
<b>Max Capacity</b>	19,025 lb (8630 kg)	18,145 lb (8230 kg)	17,570 lb (7970 kg)	17,065 lb (7740 kg)
<b>Max Cap @ Max Reach</b>	10,230 lb (4640 kg)	7630 lb (3460 kg)	5885 lb (2670 kg)	4585 lb (2080 kg)
<b>Crane Weight **</b>	7165 lb (3250 kg)	7740 lb (3510 kg)	8290 lb (3760 kg)	8820 lb (4000 kg)
<b>Hook Approach</b>				
Vertical	9' 4" (2.8 m)	9' (2.7 m)	8' 10" (2.7 m)	8' 8" (2.6 m)
Horizontal	3' 11" (1.2 m)	4' 1" (1.2 m)	4' 3" (1.3 m)	4' 5" (1.4 m)
<b>Center of Gravity - Stored</b>				
Vertical	2' 10" (86.9 cm)	2' 11" (88.4 cm)	3' (91.4 cm)	3' (91.4 cm)
Horizontal (C/L Rotation to Bridge)	12.6" (32 cm)	12.6" (32 cm)	12.2" (31 cm)	11.8" (30 cm)

	6 - Hydraulic	7 - Hydraulic	8 - Hydraulic
<b>Crane Rating*</b>	250,985 ft-lb (34.7 tm)	245,200 ft-lb (33.9 tm)	243,750 ft-lb (33.7 tm)
<b>Max Horizontal Reach</b>	54' 6" (16.6 m)	62' 4" (19 m)	69' 11" (21.3 m)
<b>Max Vertical Reach</b>	63' 3" (19.3 m)	71' 1" (21.7 m)	79' (24.1 m)
<b>Max Capacity</b>	16,665 lb (7560 kg)	16,225 lb (7360 kg)	15,830 lb (7180 kg)
<b>Max Cap @ Max Reach</b>	3615 lb (1640 kg)	2845 lb (1290 kg)	2225 lb (1010 kg)
<b>Crane Weight **</b>	9215 lb (4180 kg)	9570 lb (4340 kg)	9920 lb (4500 kg)
<b>Hook Approach</b>			
Vertical	8' 5" (2.6 m)	8' 3" (2.5 m)	8' 1" (2.5 m)
Horizontal	4' 7" (1.4 m)	4' 9" (1.5 m)	4' 11" (1.5 m)
<b>Center of Gravity - Stored</b>			
Vertical	3' 1" (93 cm)	3' 2" (94.5 cm)	3' 2" (94.5 cm)
Horizontal (C/L Rotation to Bridge)	11.6" (29.5 cm)	11.4" (29 cm)	11.2" (28.5 cm)

\* Crane rating (ft-lb) is the rated load (lb) multiplied by the respective distance (ft) from centerline of rotation with all extensions retracted and the inner and outer booms in a horizontal position, per ANSI B30.22. \*\* Crane weight is for standard crane with tank & 8-bolt long mounting kit. Does not include stabilizers, tank or oil.

## Standard Features

- Radio remote control
- Double link arm system
- Application-specific product offering
- Superior lift-to-weight ratio
- Long-reach capabilities
- Hexagonal booms for superior reach and maximum control
- Internal hose routing
- 15° overbending on outer boom

## Options

- Various stabilizer configurations
- Boom mounted winch
- Floodlight on outer boom
- Boom tip functions for hydraulic attachments
- Oil cooler

## Specifications

<b>Stabilizer Pad Diameter</b>	8" (20.3 cm)
<b>Crane Storage Height</b>	7' 10" (2.4 m)
<b>Mounting Space***</b>	3' 9" (1.2 m)
<b>Rotational Torque</b>	29,500 ft-lb (4.1 tm)
<b>Rotation</b>	Infinite
<b>Optimum Pump Performance</b>	21.1 gpm (80 L/min)
<b>System Pressure</b>	5295 psi (365 bar)
<b>Oil Reservoir Capacity</b>	66 gal (250 L)
<b>Stabilizer Extension Span</b>	
Minimum (2 beams - 64" [162.6 cm] long)	18' 3" (5.6 m)
Maximum (2 beams - 108" [274.3 cm] long)	25' 6" (7.8 m)
<b>Stabilizer Weights</b>	
Stabilizer Beam 64" (162.6 cm)	375 lb (170 kg)
Stabilizer Beam 81" (205.8 cm)	585 lb (265 kg)
Stabilizer Beam 108" (274.3 cm)	640 lb (290 kg)
Stabilizer Cylinder, 1x swing-up	145 lb (65 kg)
Stabilizer Cylinder, 1x hydraulic swing-up	160 lb (72 kg)

\*\*\* Maximum swing clearance radius required is 29" (73.7 cm) at 8' 6" (2.6 m) from top of chassis frame

## Minimum Chassis Specifications

<b>Front Axle Rating (GAWR)</b>	16,000 lb (7260 kg)
<b>Rear Axle Rating (GAWR)</b>	40,000 lb (18,145 kg)
<b>Resistance to Bending Moment Minimum</b>	4,125,000 in-lb (475,250 kg-m)

## Hexagonal Boom Design

A wide hexagonal profile with large bearing surfaces ensures greater strength and stability for horizontal and vertical spans — even when working in extreme positions with long reaches. Plus, it's protected by powdercoat paint that never fades, flakes, or corrodes.



### Internal Hose Routing

Fed internally through protective nylon drag chains or roller guides, all hoses are equipped with sturdy, high-pressure swivel couplings to prevent them from twisting.



### Overbending

Overbending between the main boom and jib provides greater flexibility when working under power wires and more potential for high lifting in narrow passages. It also lowers the total height when the loader is stowed over the truck body.

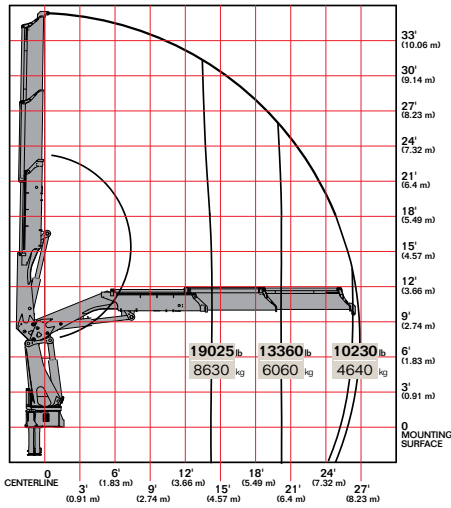


### Stow Bracket Innovation

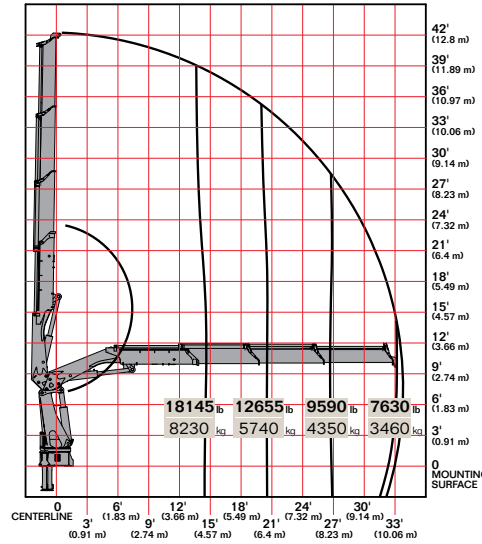
The stow bracket is designed to secure the boom for transport position but not allow for bracket damage. Unlike systems with rigid fixed brackets, the "J" hook will pivot if an incorrect movement is attempted.

# ▶ 40/275 Capacity Charts

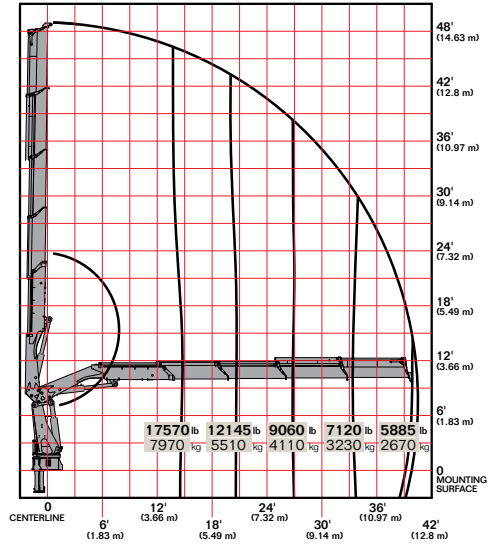
### 40/275 K2



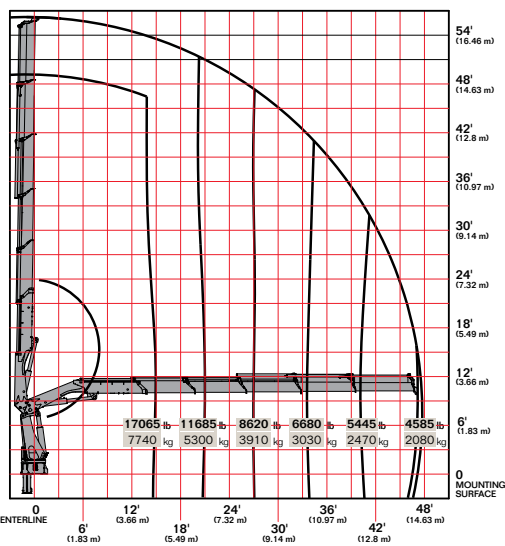
### 40/275 K3



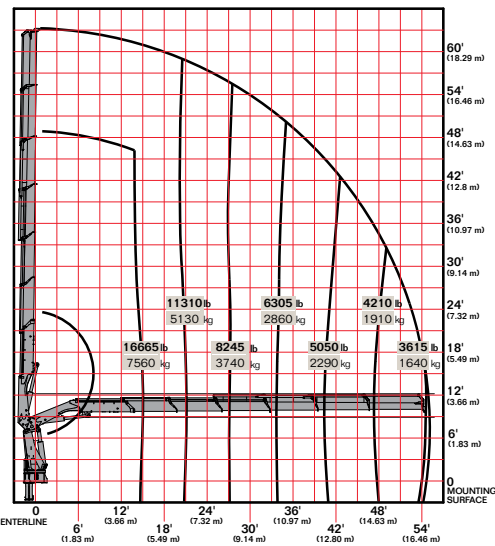
### 40/275 K4



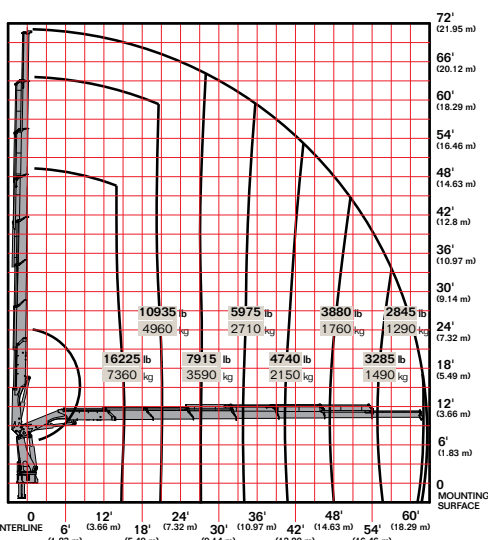
### 40/275 K5



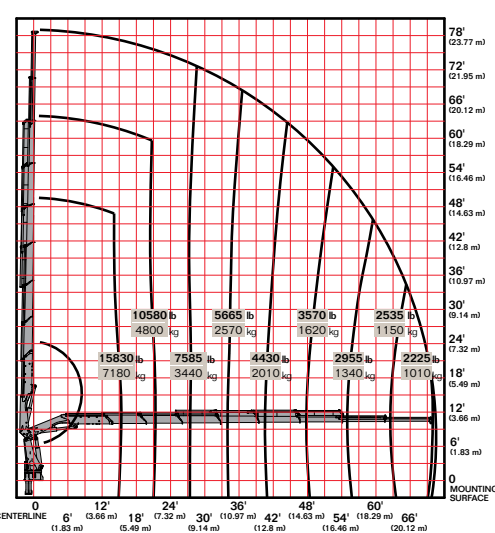
### 40/275 K6



### 40/275 K7



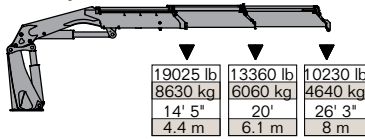
### 40/275 K8



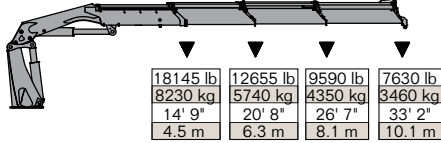
Limit working loads to those shown. Deduct the weight of load-handling devices.

# ▶ 40/275 Lifting Capacity

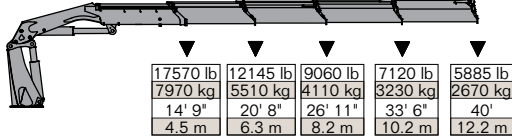
40/275 - 2 Hydraulic



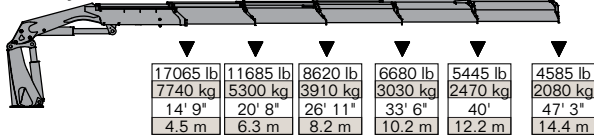
40/275 - 3 Hydraulic



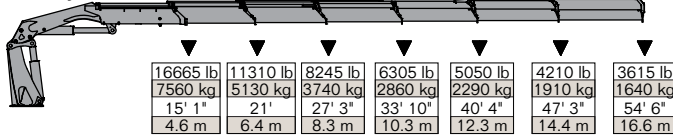
40/275 - 4 Hydraulic



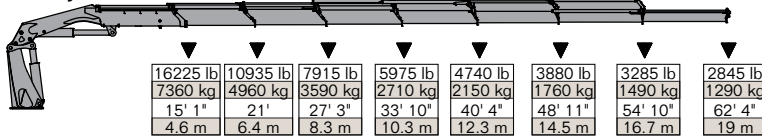
40/275 - 5 Hydraulic



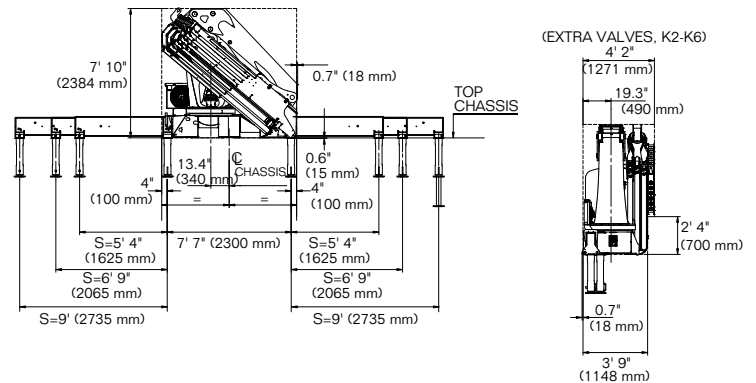
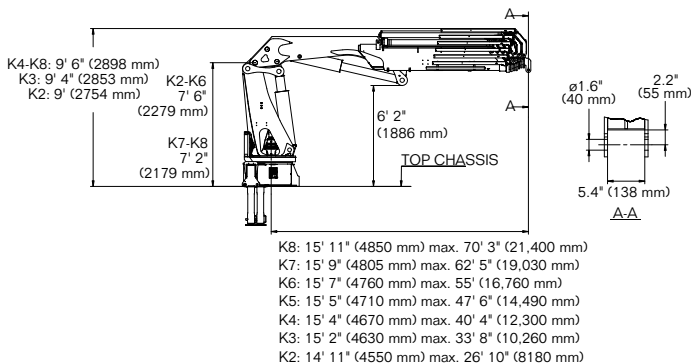
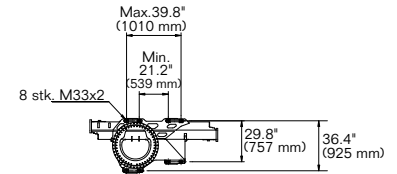
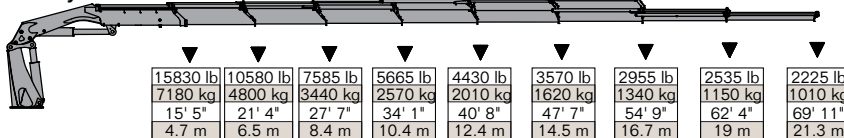
40/275 - 6 Hydraulic



40/275 - 7 Hydraulic



40/275 - 8 Hydraulic



### Power Source

- Standard integral-mounted piston hydraulic pump and PTO application

### Cylinder Holding Valves

- Integral-mounted counterbalance valves or load-holding check valves
- Prevention of sudden cylinder collapse in case of hose failure

### Rotation System

- 360 degree continuous rotation through planetary gear box
- 29,500 ft-lb (4.1 tm) rotational high-torque hydraulic motor
- Hydraulic brake included

### Hydraulic System

- Open-centered system — closed optional
- Regeneration system on extension cylinder to ensure quick deployment
- Hydraulic oil reservoir, air breather, replaceable return-line filter, and control valve with levers

### Overload System

- Load-limiting capability for boom functions
- Rated capacity limitation (RCL) 5300 blocks load-increasing functions when full capacity is attained



### Nothing Says Commitment Like The Diamond.™

IMT has been meeting the needs of our customers for over 50 years and none of it would have been possible without a distributor network that's second to none. IMT distributors offer fast, knowledgeable service and the ability to help customers find the right product for every application. When you're looking for reliable equipment and dependable service, remember IMT.



An Oshkosh Corporation Company

**Iowa Mold Tooling Co., Inc.**  
500 Highway 18 West  
Garner, Iowa 50438  
800-247-5958 • [www.imt.com](http://www.imt.com)