

Valka



120 D TRX



Diesel operated Arm Lift Mobile TRACKED Crane
Max. Capacity Kg. 12.000



TECHNICAL DATA

CRANE FRAME: fabricated from preformed and welded steel plate with built-in counterweight. Hydraulic and independent outriggers.

ENGINE: DIESEL HP 120 – 4 cylinders, water cooled.

TRANSMISSION: automatic (hydostatic). Travel speed 0-4 km/h

ELECTRICS: 12 Volt system

TRACKED UNDERCARRIAGE: steel tracks with rubber pads. Two variable hydraulic motors.

WINCH: hydraulically operated 12 ton.

HYDRAULIC SYSTEM: powered by gear pump, electric proportional distributor controlled by 2 joysticks, filter, safety valves on all boom operations. Max pressure 280 bar.

DRIVER'S OVERHEAD GUARD: Steel frame with metal checker plate and full visibility.

BOOM: fabricated from preformed and welded steel plate with 4 hydraulic telescoping sections fitted with adjustable nylon wear pads. Boom slewing for unlimited and continuous 360° .

LMI: Electronic Load Moment Indicator. Display showing lifted load, max allowed load, tilting percentage, operating radius, angle, telescope and light indicators on the operative mode.

TOTAL WEIGHT: approx. kg. 10.000

MAX. CAPACITY: kg. 12.000

Options on request: hydraulic chain hoist, man bucket, remote control, metal/glass enclosed cab, fly jib, LPG conversion.

Valla



120D TRX



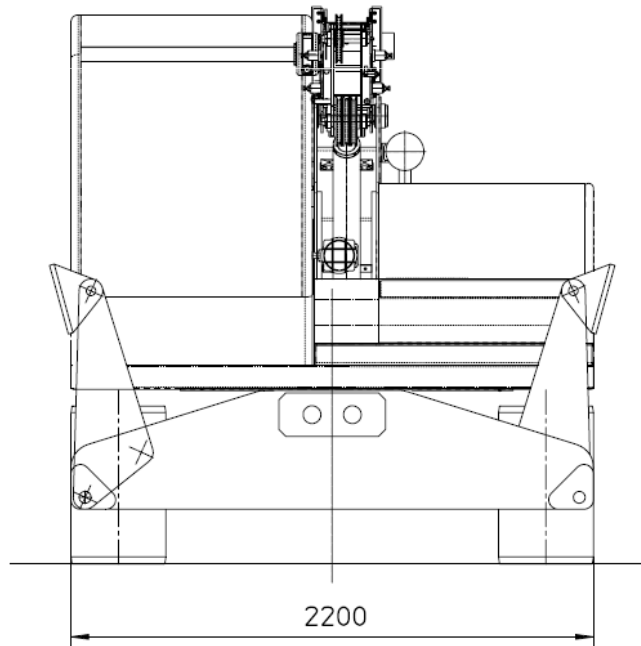
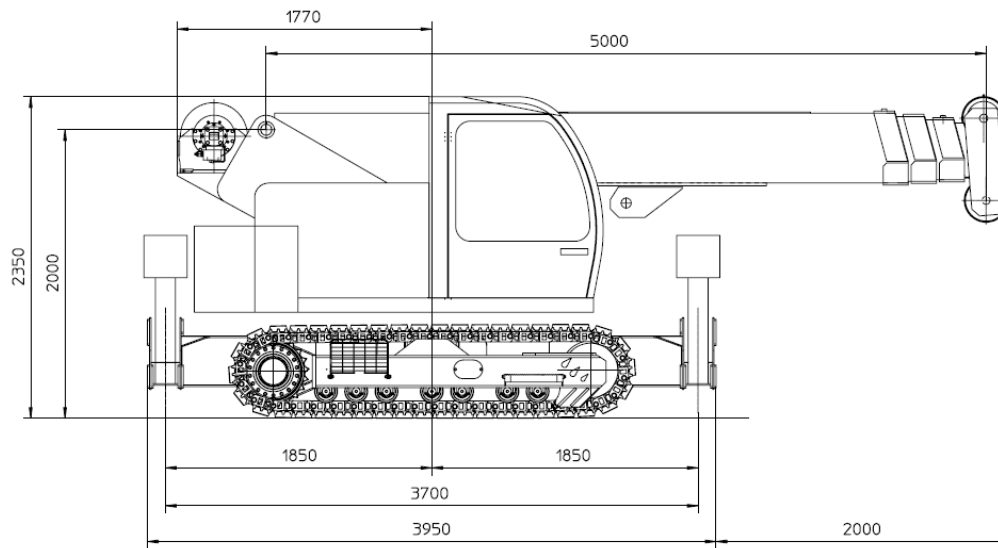
The crane applies to the following

standards:

-2006/42/CE

-UNIEN13000

-I.S.P.E.S.L.



Valla S.p.A.

Via Piacenza, 45 – 29010 Calendasco – Piacenza – ITALIA

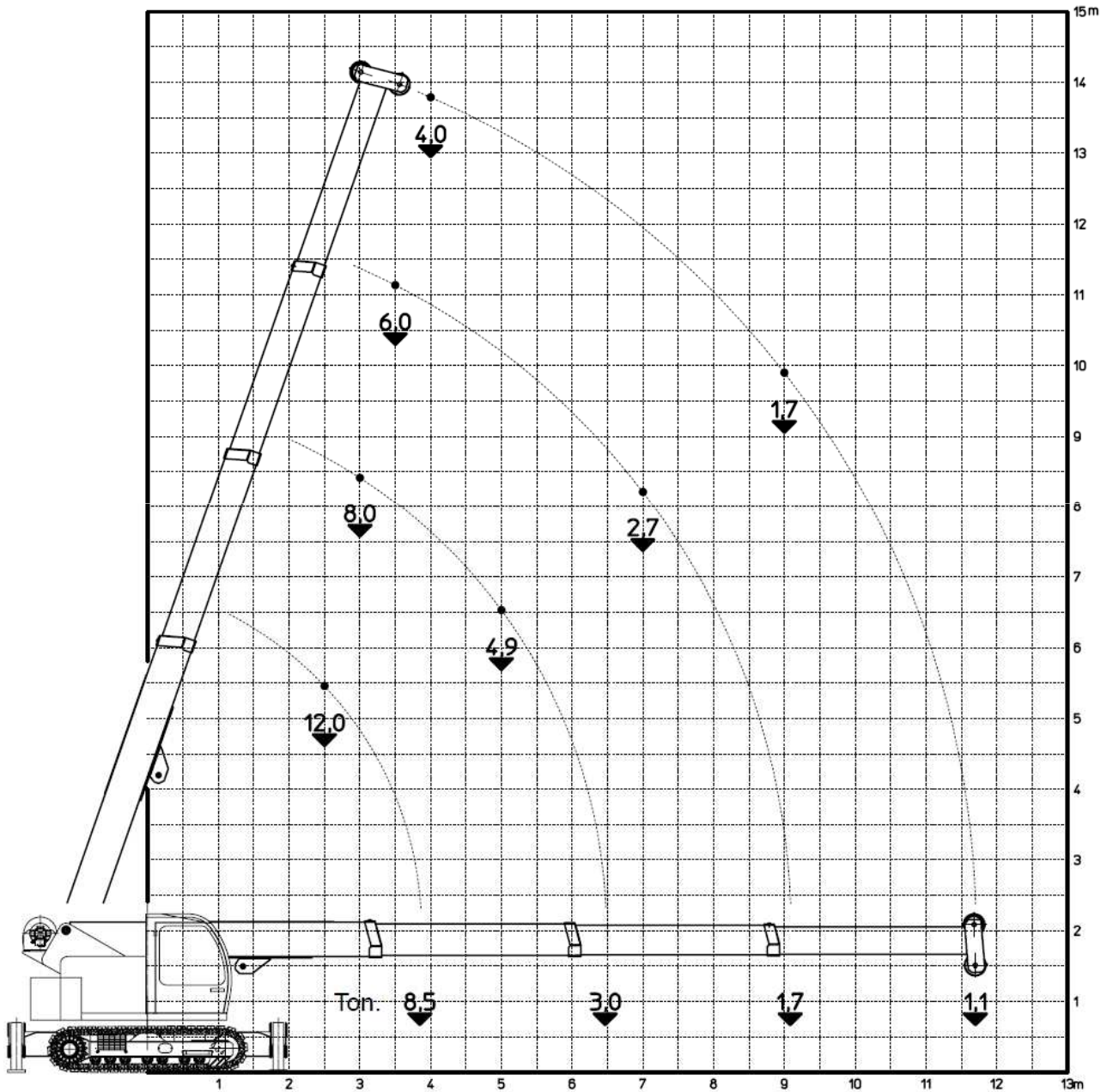
Tel. 0039 0523 762025 – 762004 – Fax 0039 0523 760531

Internet: www.valla.com – email: info@valla.com

The crane applies to the following

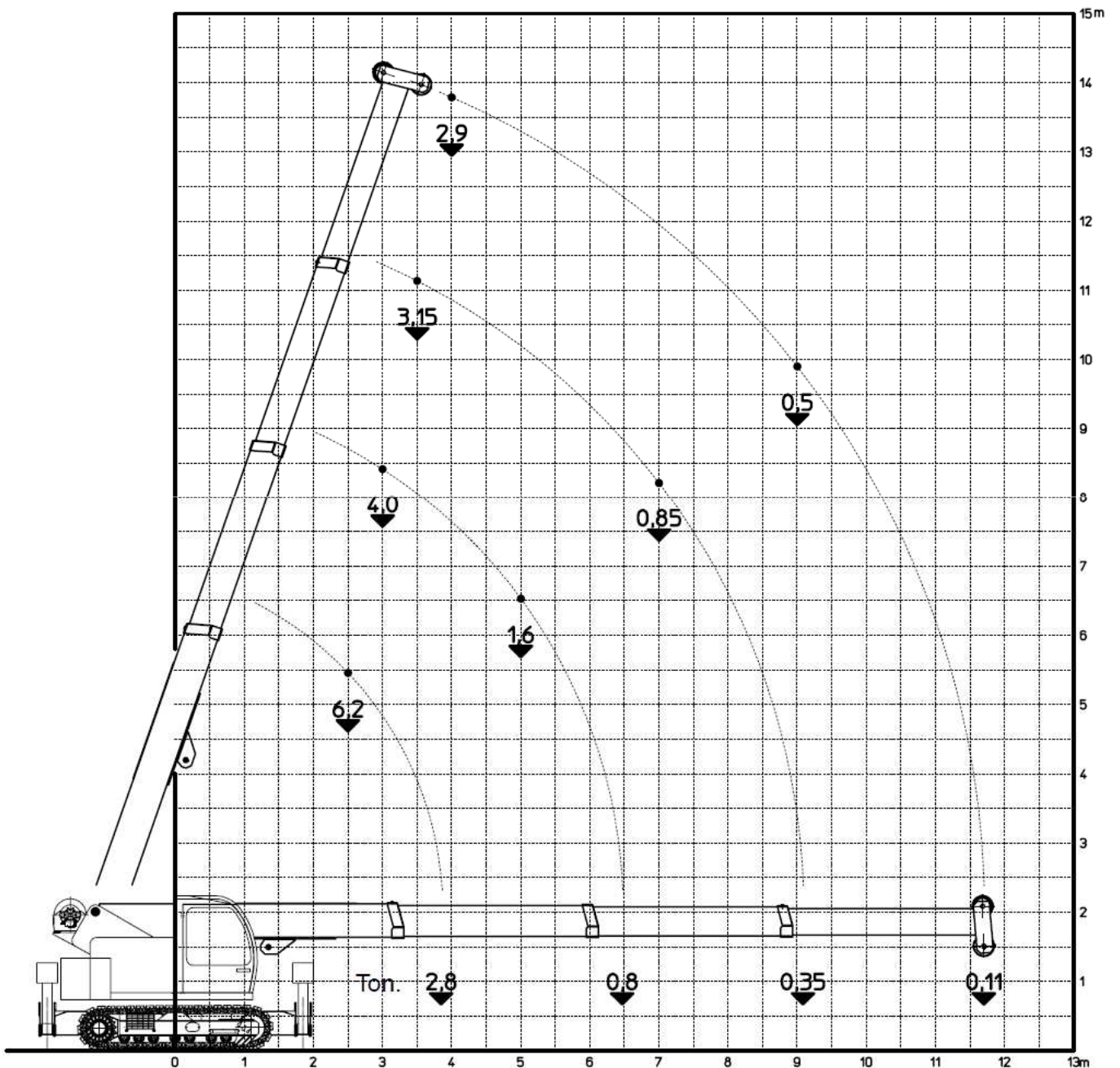
- standards:
 -2006/42/CE
 -UNIEN13000
 -I.S.P.E.S.L.

CAPACITY DIAGRAM ON OUTRIGGERS (360°)



The crane applies to the following standards:
 -2006/42/CE
 -UNIEN13000
 -I.S.P.E.S.L.

CAPACITY DIAGRAM ON TRACKS - STATIONARY CAPACITY (360°)

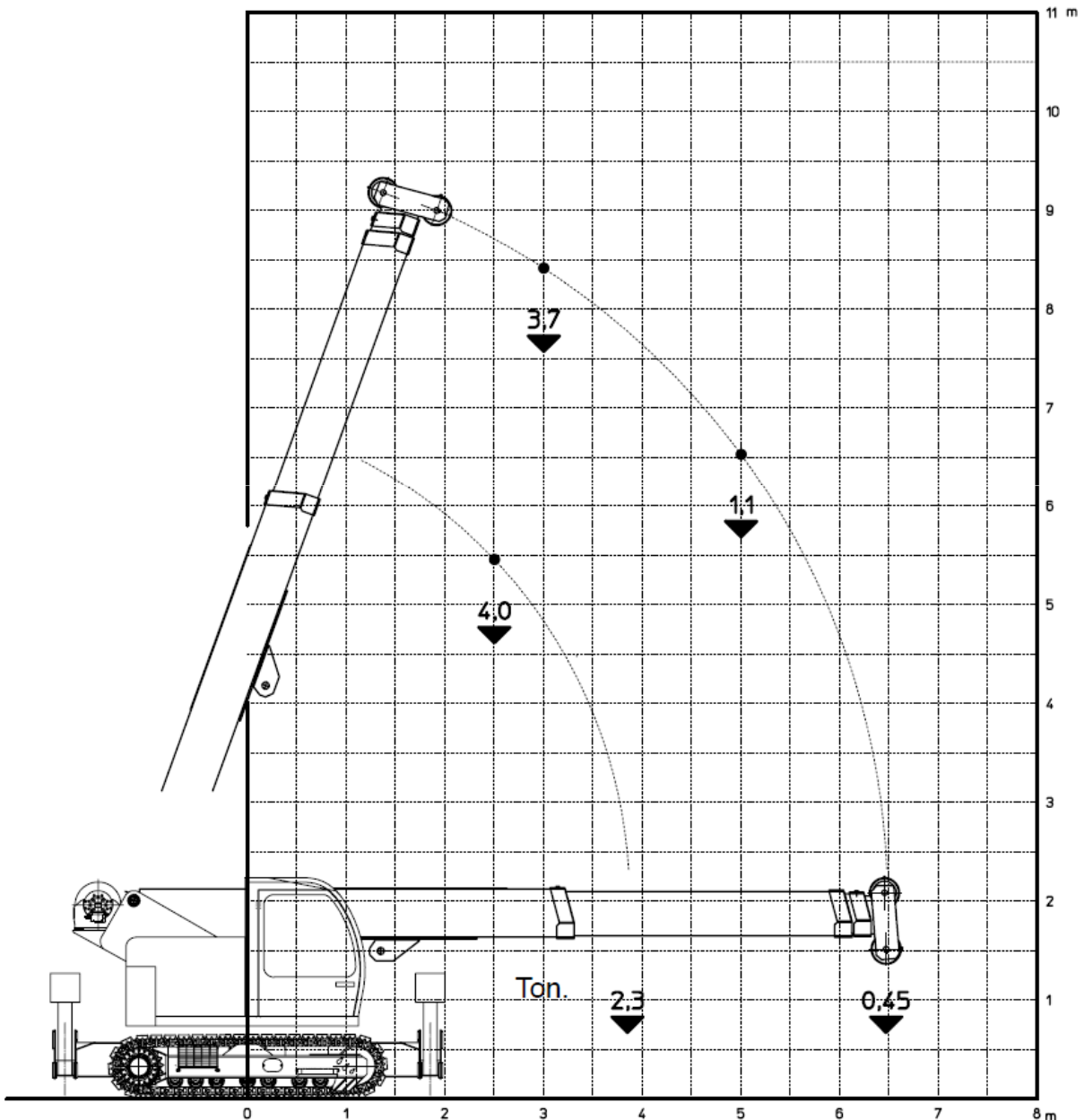


Data subject to be changed without any previous notice. Pictures may differ from technical description.

The crane applies to the following

- standards:
 -2006/42/CE
 -UNIEN13000
 -I.S.P.E.S.L.

CAPACITY DIAGRAM PICK AND CARRY (BOOM OVER FRONT)



Data subject to be changed without any previous notice. Pictures may differ from technical description.

The crane applies to the following

- standards:
 -2006/42/CE
 -UNIEN13000
 -I.S.P.E.S.L.

CAPACITY DIAGRAM FLY JIB ON OUTRIGGERS (360°)

